

PARTS CATALOGUE



SCOOTERS

SBA1AA(GR)

AK550 ABS Noodoe E5



Release Date : 2021/09/10
Print Date : 2021/12/08

ABOUT THIS PARTS LIST

- This parts list is compiled all service parts for model SBA1AA(GR).
- Any difference between color chart and motorcycle will be revised according to motorcycle.
- The Mark:
 1. Marking "***" must add color code in the end before ordering parts.
 2. Marking "#" are parts with modification, Please find the details from e-Parts system.
- When modification or additions to this parts list are made a revised edition at an appropriate time.



CONTENTS

● ABOUT THIS PARTS LIST	1
● COLOR CHART OF SBA1AA(GR)	3
● CONTENTS-ENGINE GROUP	7
● CONTENTS-FRAME GROUP	9
● ENGINE PARTS LIST	12
● FRAME PARTS LIST	54
● PART NO. INDEX	146

NO	MODEL			COLOR CHART OF SBA1AA(GR)			
	PHOTO NO			NO. 1	NO. 2		
	BASIC COLOR			Mat Black	Flat Black		
	CODE			Mat Black	Flat Black		
	PARTS NAME	PARTS NO.	VERSION	NH397FA	NH397FA		
1	FENDER A FRONT	61100-LGC6-E00	5	D3S			
2	CALIPER ASSY RR	43100-LGC6-E01	4	J2A			
3	BRACKET ASSY RR	43210-LGC6-305	0				
4	WHEEL SET RR	42600-LGC6-305	0	JDA			
5	WHEEL ASSY FR	44600-LGC6-305	0				
6	COVER FRONT	64301-LGC6-E00	0				
7	LID FUEL CAP MAINT	80152-LGC6-E00	5	JEP			
8	COVER KEY	81151-LGC6-E00	5				
9	MOLDING A R SIDE	64302-LGC6-E00	3				
10	MOLDING A L SIDE	64303-LGC6-E00	3				
11	CARRIER R REAR	81200-LGC6-E00	7				
12	CARRIER L REAR	81210-LGC6-E00	7				
13	COVER R BODY	83500-LGC6-E00	1	JJP			
14	COVER R SIDE	83510-LGC6-E00	0				
15	COVER L SIDE	83600-LGC6-E00	3				
16	COVER L SIDE	83610-LGC6-E00	0				
17	COVER B RR CENTER	83750-LGC6-E00	0				
18	CALIPER ASSY FR L	45100-LGC6-E00	0	JTA			
19	CALIPER ASSY FR R	45200-LGC6-E00	0				
20	COVER COMP. L COVER	1134B-LGC6-E00	9				
21	COVER COMP. R	11630-LGC6-E00	9				
22	COVER RADIATOR	19025-LGC6-E00	2	N1R			
23	ISOLATED PLATE	35852-LGC6-E00	0				
24	COVER UP ACHAIN	40510-LGC6-E00	5				
25	COVER UP B CHAIN	40511-LGC6-E01	2				
DATE OF STARTING-SALES							
DATE OF END-SALES							

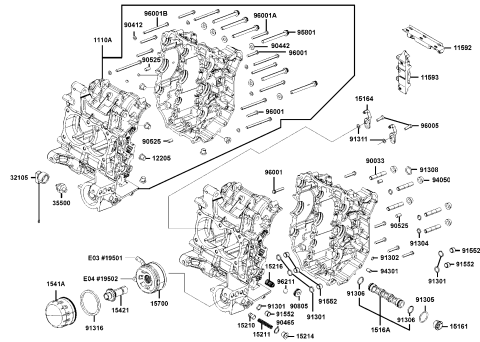
NO	MODEL			COLOR CHART OF SBA1AA(GR)			
	PHOTO NO			NO. 1	NO. 2		
	BASIC COLOR			Mat Black	Flat Black		
	CODE			Mat Black	Flat Black		
	PARTS NAME	PARTS NO.	VERSION	NH397FA	NH397FA		
26	COVER LOW A CHAIN	40520-LGC6-E00	1				
27	COVER LOW B CHAIN	40521-LGC6-E00	1				
28	CASE BATTERY	50325-LGC6-E00	1				
29	COVER BATTERY	50326-LGC6-E00	1				
30	PROTECTOR	50329-LGC6-E00	0				
31	COVER UNDER	50613-LGC6-E00	0				
32	COVER FR MERTER	53203-LGC6-E00	0				
33	COVER METER	53204-LGC6-E00	6				
34	COVER HANDLE UP	53205-LGC6-E00	2				
35	COVER HANDLE LOW	53206-LGC6-E00	2				
36	FENDER ASSY FRONT	6111A-LGC6-E00	2				
37	HOLDER ASSY R WIND	64130-LGC6-E00	1				
38	COVERR WIND SCREEN	64140-LGC6-E00	3				
39	LID OBD COUPLER	64211-LGC6-E00	0				
40	HOLDER ASSY L WIND	64230-LGC6-E00	1				
41	COVER L WIND SCREEN	64240-LGC6-E00	3				
42	PANEL A R FLOOR	64310-LGC6-E00	0				
43	LID RESERVE TANK	64311-LGC6-E00	0				
44	MAT R FLOOR	64320-LGC6-E00	0				
45	PANEL A L FLOOR	64330-LGC6-E00	0				
46	MAT L FLOOR	64340-LGC6-E00	0				
47	MAT R LEG SHIELD	64350-LGC6-E00	0				
48	MAT L LEG SHIELD	64360-LGC6-E00	0				
49	PANEL B R FLOOR	64370-LGC6-E00	0				
50	PANEL B L FLOOR	64380-LGC6-E00	0				
DATE OF STARTING-SALES							
DATE OF END-SALES							

NO	MODEL			COLOR CHART OF SBA1AA(GR)			
	PHOTO NO			NO. 1	NO. 2		
	BASIC COLOR			Mat Black	Flat Black		
	CODE			Mat Black	Flat Black		
	PARTS NAME	PARTS NO.	VERSION	NH397FA	NH397FA		
51	COWL UNDER	64400-LGC6-E00	0	N1R			
52	FENDER RR TIRE	80100-LGC6-E00	3				
53	FENDER REAR	80105-LGC6-E00	1				
54	COVER LICENSE	80107-LGC6-E00	1				
55	COVER ASSY. CENTER	8015B-LGC6-E00	4				
56	COVER B ASSY.CENTER	8015C-LGC6-E00	3				
57	BOARD A R SIDE	83520-LGC6-E00	0				
58	BOARD AL SIDE	83620-LGC6-E00	3				
59	COVER B.RR CENTER	83751-LGC6-E00	1				
60	BAND HARNESS WIRE	90656-KUDU-900	0				
61	HOLDER RR CALIPER	43110-LGC6-E00	5	NEA			
62	STAY FR FENDER R	51421-LGC6-E00	4				
63	STAY FR FENDER L	51521-LGC6-E00	4				
64	FENDER COVER R SIDE	61101-LGC6-E00	1	NEP			
65	FENDER COVER L SIDE	61102-LGC6-E00	1				
66	SKIRT R SIDE	64305-LGC6-E00	0				
67	SKIRT L SIDE	64306-LGC6-E00	0				
68	CAP ACG	90084-4H28-001	1	NJA			
69	TAIL CAP. MUFFLER	18306-LGC6-E00	5	T01			
70	MUFFLER ASSY.	1830A-LGC6-EZ5	5				
71	MUFF. PROTECTOR	18318-LGC6-E00	5				
72	COVER. SILENCER	18319-LGC6-E00	5				
73	FORK ASSY FR R	51400-LGC6-E00	9				
74	FORK ASSY FR L	51500-LGC6-E00	6				
75	CUSHION ASSY RR	52400-LGC6-E00	7				
DATE OF STARTING-SALES							
DATE OF END-SALES							

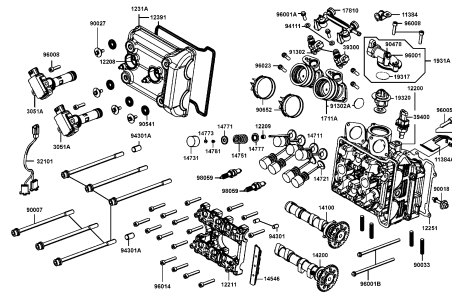
NO	MODEL			COLOR CHART OF SBA1AA(GR)			
	PHOTO NO			NO. 1	NO. 2		
	BASIC COLOR			Mat Black	Flat Black		
	CODE			Mat Black	Flat Black		
	PARTS NAME	PARTS NO.	VERSION	NH397FA	NH397FA		
76	TOP COVER	5320C-LGC6-E00	3	T01			
77	WIND SCRRN ASSY.	6422A-LGC6-E00	4				
78	SEAT ASSY (REACH)	77200-LGC6-309	0				
79	GRILLE ASSY.R BOARD	8353A-LGC6-E00	2				
80	GRILLE ASSY. L BOARD	8363A-LGC6-E00	3				
81	EMB HANDLE COVER	86020-LGC6-E00	3				
82	EMB KYMCO ASSY.	8620A-LGC6-E00	0				
83	STRIPE SIDE MOLD	86300-LGC6-E00	6				
84	EMB SIDE MOLD	86380-LGC6-E00	2				
85	CAUTION LABEL	87515-LGC6-E00	2				
86	NOTICE MOBILE PHONE	87541-ZZA6-E00	2				
87	LABEL FUEL TANK	87546-ADG5-E00	2				
88	MARK DRIVER CAUTION	87560-LGC6-E00	2				
89	LIGHT ASSY..HEAD	33100-LGC6-E00	4				
90	OUTER RS HEAD LIGHT	33109-LGC6-E00	4				
91	FORK ASSY RR L/H	52100-LGC6-E01	5				
92	FORK CAST RR R/H	52120-LGC6-E01	4				
93	HOLDER ASSY FINAL	52130-LGC6-E00	6				
94	CAP FINAL SHAFT	52133-LGC6-E00	6				
95	EMB K-LOGO	86102-LGC6-E00	5	T03			
96	BOARD B R SIDE	83530-LGC6-E00	0	ZBP			
97	BOARD B L SIDE	83630-LGC6-E00	0				
DATE OF STARTING-SALES							
DATE OF END-SALES							

CONTENTS - ENGINE GROUP

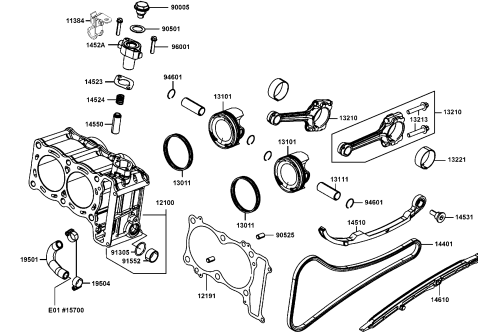
E01 Crank Case



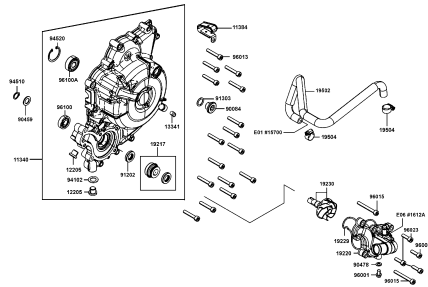
E02 Cylinder Head Cover Cylinder



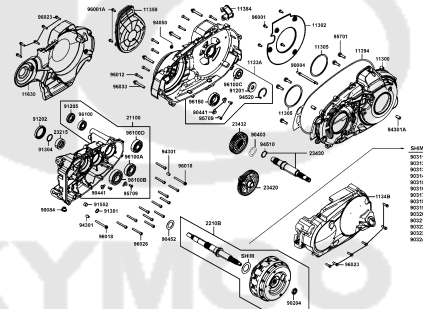
E03 Cylinder Piston



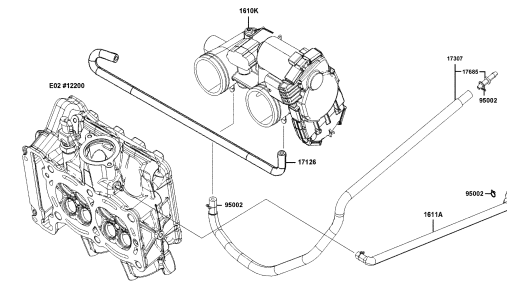
E04 Left Side Cover Water Pump



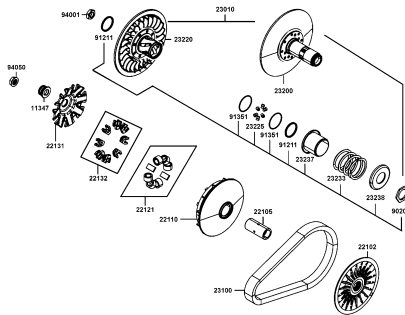
E05 Right Crankcase Cover Shaft



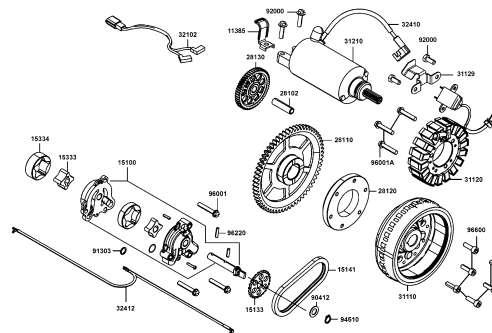
E06 Throttle Body



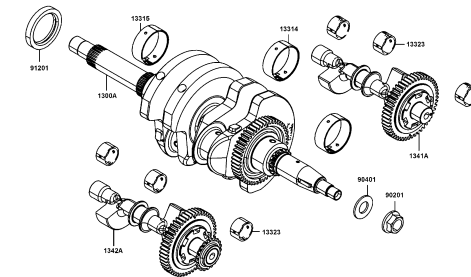
E07 Transmission Pulley



E08 Starting Motor Generator

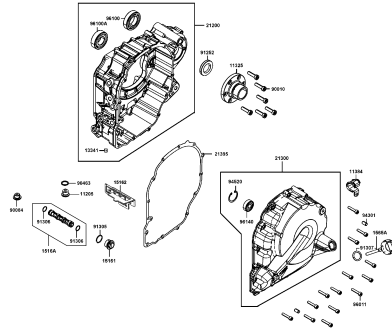


E09 Crank Shaft Drive Procket



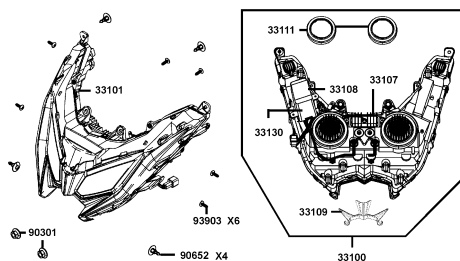
CONTENTS - ENGINE GROUP

E10 CASE COMP L MISSION

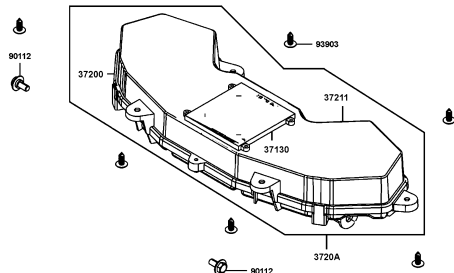


CONTENTS - FRAME GROUP

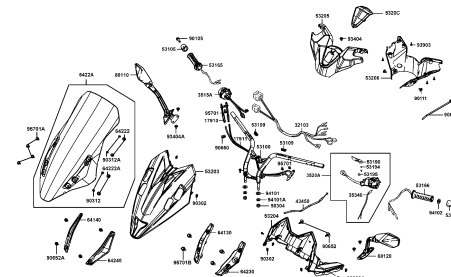
F01 Head Light



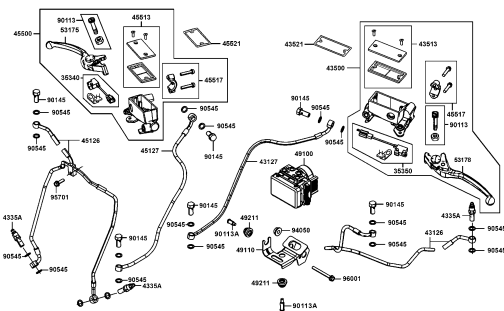
F02 Speedometer



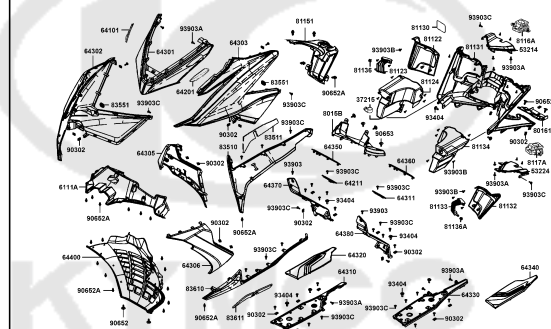
F03 Handle Steering Handle Cover



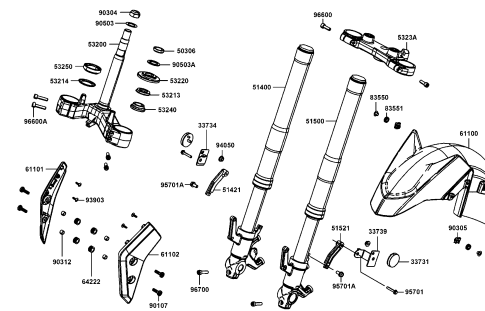
F04 Brake Master Cylinder



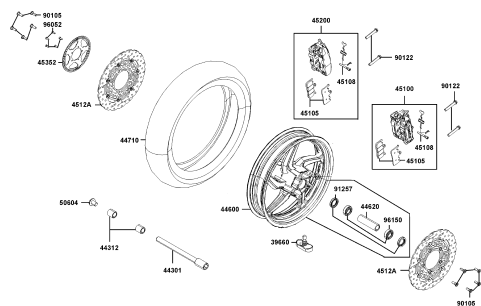
F05 Front Cover Floor Panel



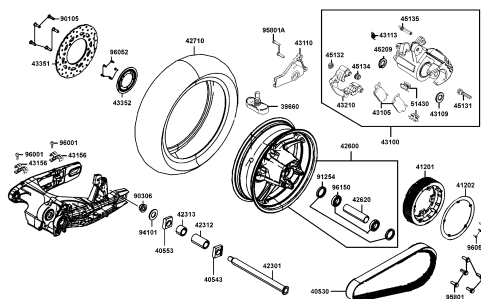
F06 Front Cushion



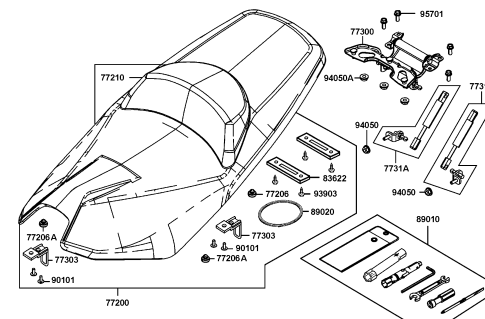
F07 Front Wheel



F08 Rear Wheel

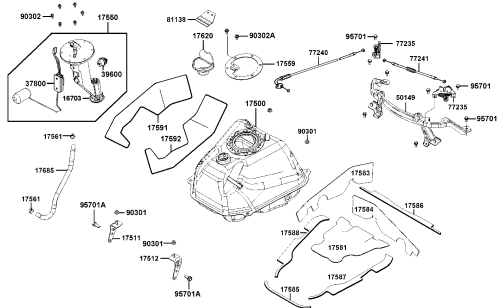


F09 Seat

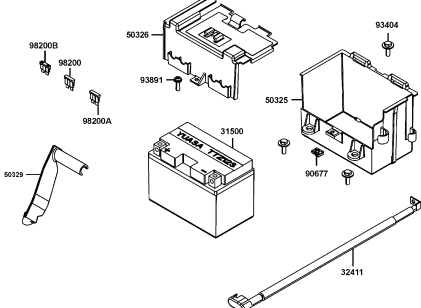


CONTENTS - FRAME GROUP

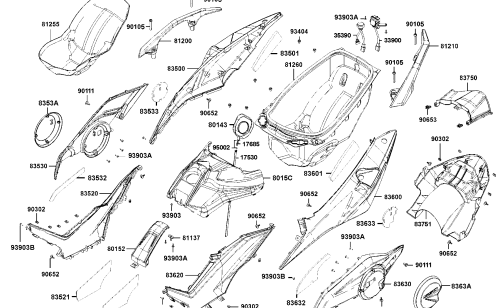
F10 Fuel Tank



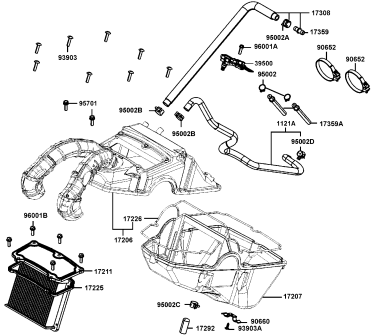
F11 Battery



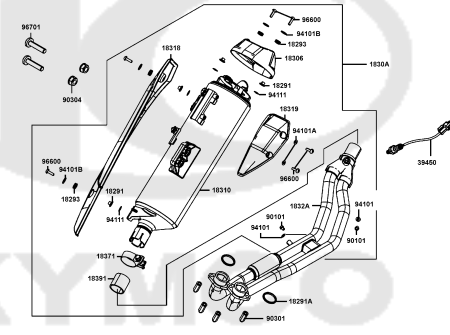
F12 Body Cover Luggage Box



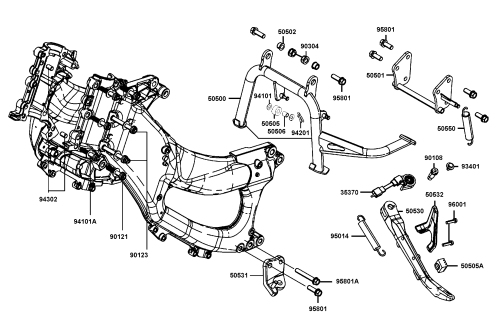
F13 Air Cleaner



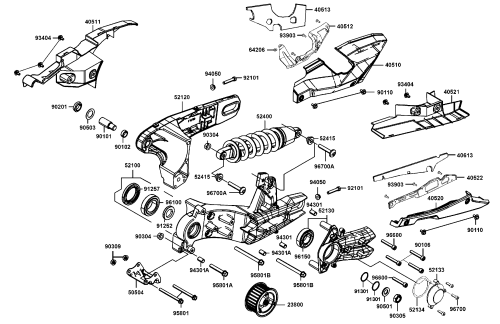
F14 Exhaust Muffler



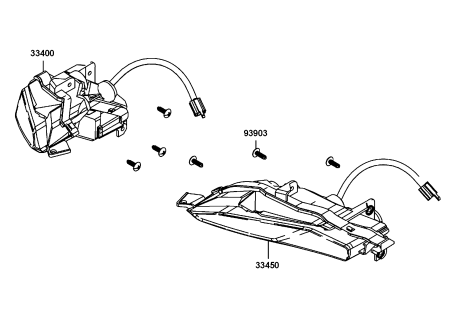
F15 Fr Body Frame Stand



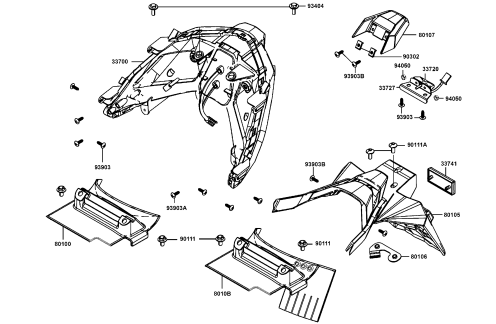
F16 Rear Cushion



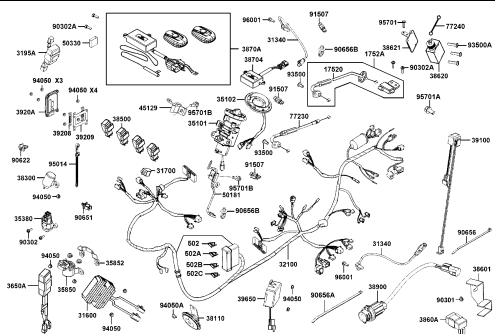
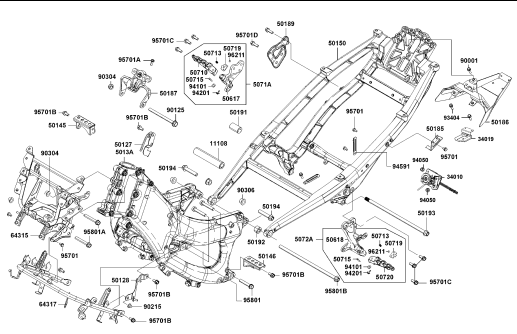
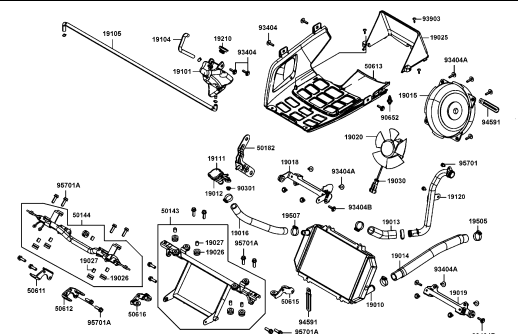
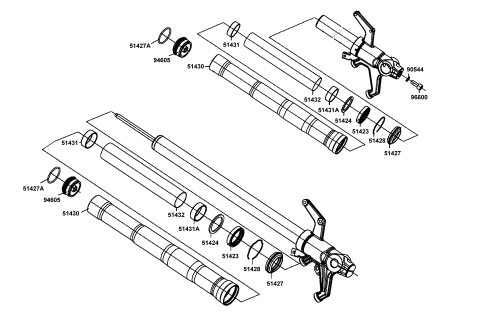
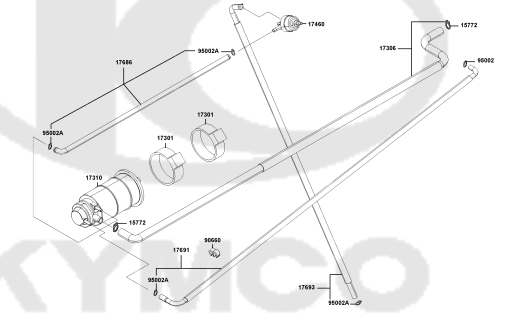
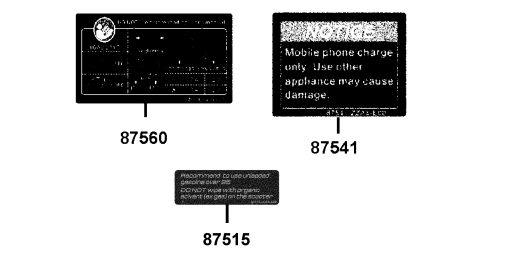
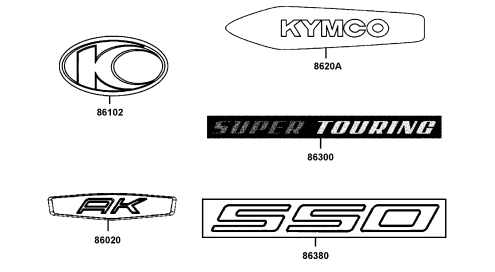
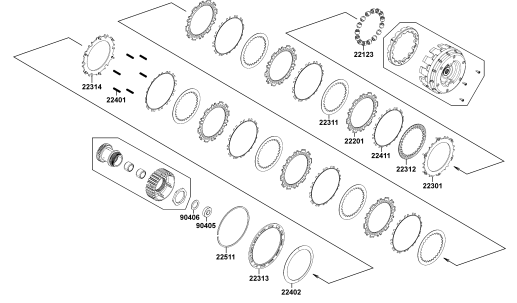

F17 Front Winker RR WINKER



F18 Rear Light Rear Fender

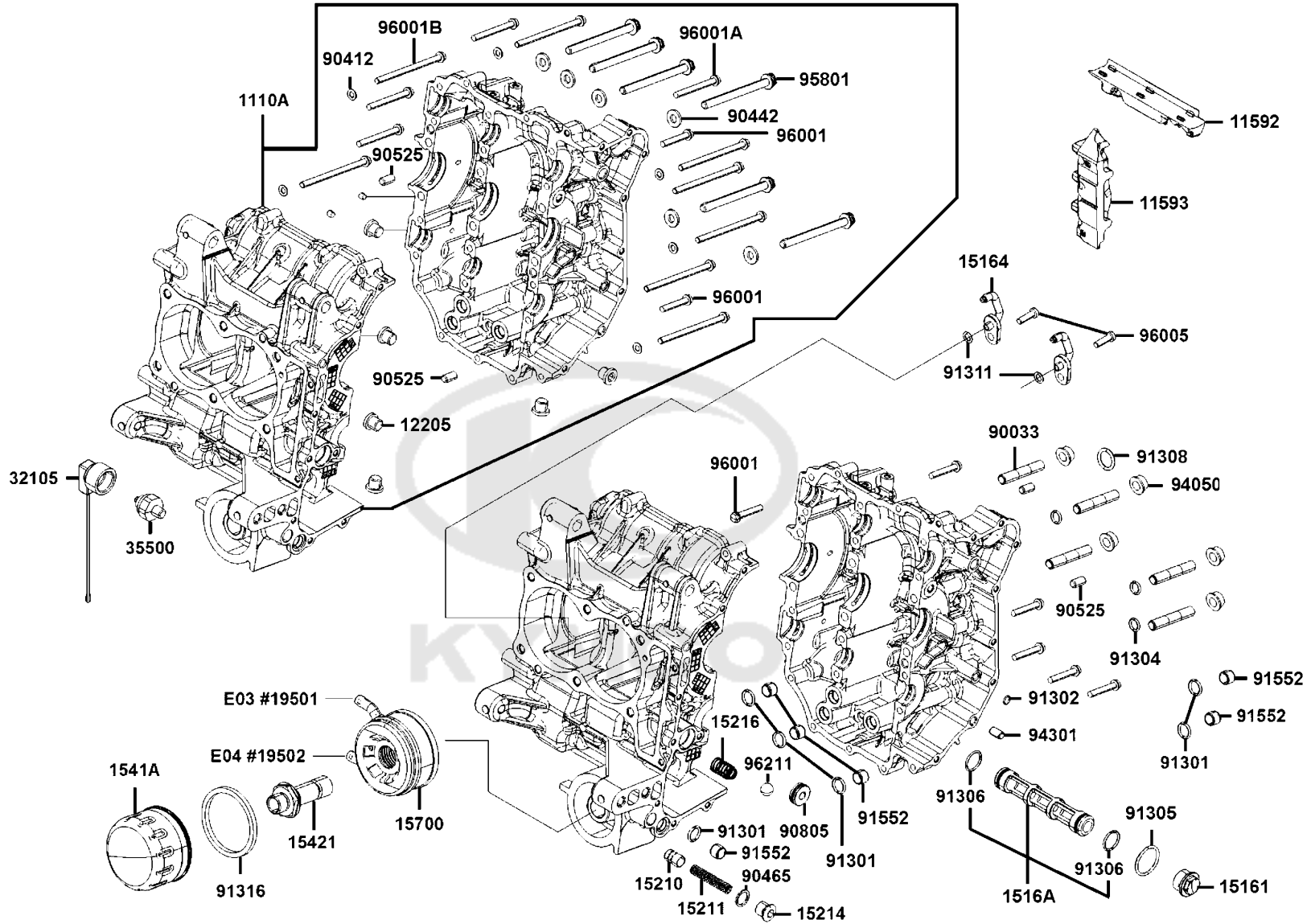


CONTENTS - FRAME GROUP

<p>F19 Wire Harness</p> 	<p>F20 Frame Body</p> 	<p>F21 Radiator</p> 
<p>F22 Separated Parts Of Fr Fork</p> 	<p>F23 Canister</p> 	<p>F24 Caution Label</p> 
<p>F25 EMB BODY COVER</p> 	<p>F26 Spare Kits Of Clutch</p> 	<p>F27 LABEL OF E5</p> 

E01

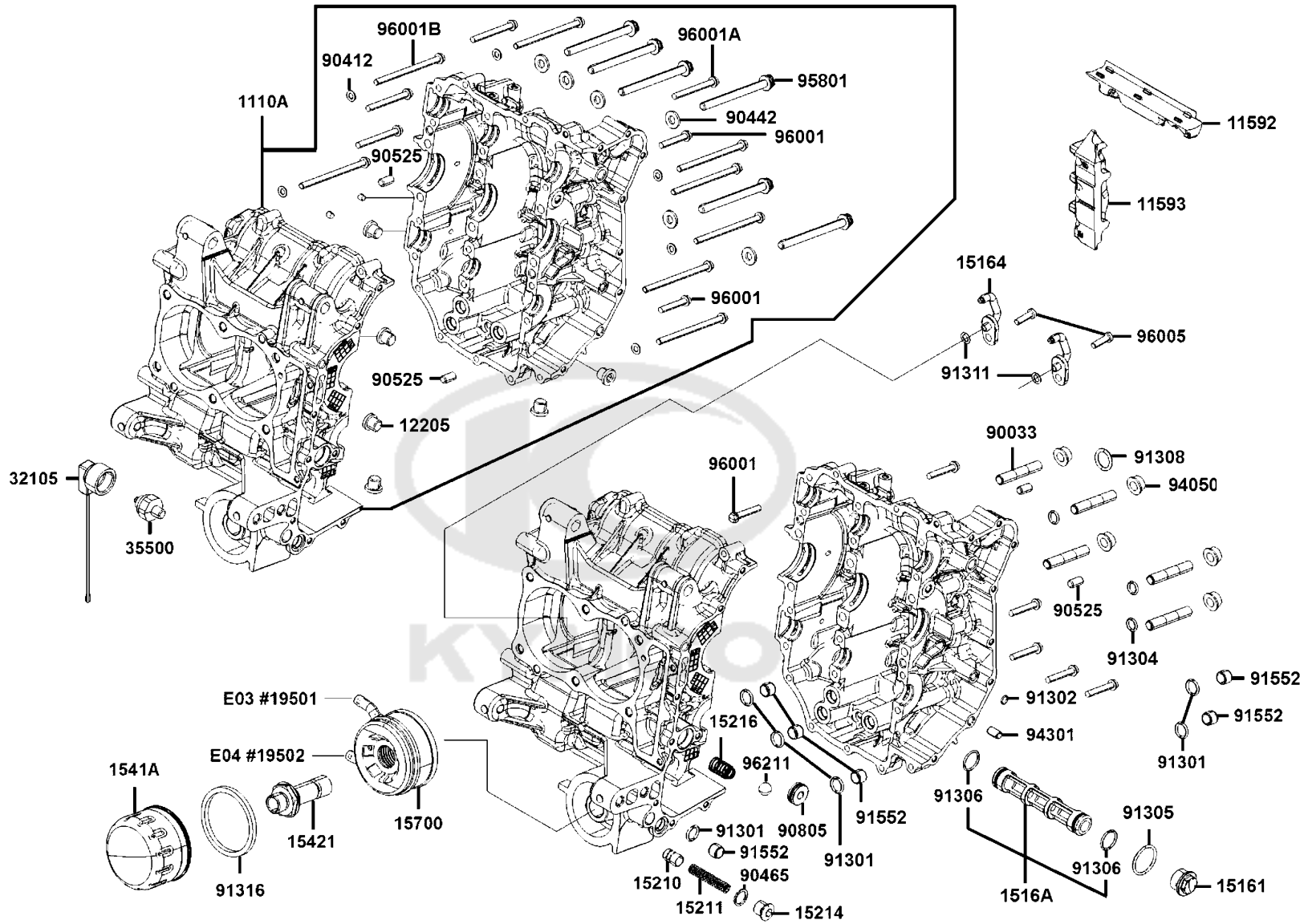
Crank Case



Sales mark	Ref no	Part no	Description	Reg description	Regd no	E01
1110A		1110A-LGC6-E00	CRANKCASE ASSEMBLY	CRANKCASE ASSEMBLY	1	
11592		11592-LGC6-E00	RUBBER B INSERT CASE	RUBBER B INSERT CASE	1	
11593		11593-LGC6-E00	RUBBER C INSERT CASE	RUBBER C INSERT CASE	1	
12205		12205-LEA7-E00	BOLT SEALING 12MM	BOLT SEALING 12MM	6	
15161		15161-LGC6-E00	PLUG SCREW SECTION FILTER	PLUG SCREW SECTION FILTER	1	
15164		15164-LGC6-E00	PISTON COOLING JET	PISTON COOLING JET	1	
1516A		1516A-LGC6-E00	SUCTION FILTER ASSY CRANK SIDE	SUCTION FILTER ASSY CRANK SIDE	1	
15210		15210-PUA5-E00	PISTON PRESSURE VALVE D=12mm	PISTON PRESSURE VALVE D=12mm	1	
15211		15211-LGC6-E00	COMPRESSION SPRING	COMPRESSION SPRING	1	
15214		15214-PUA5-E00	PLUG SCREW COMPRESSION SPRING	PLUG SCREW COMPRESSION SPRING	1	
15216		15216-LGC6-E00	COMPRESSION SPRING	COMPRESSION SPRING	1	
1541A		1541A-LGC6-E00	OIL FILTER ASSY	OIL FILTER ASSY	1	
15421		15421-PRA1-E00	OIL FILTER PIPE	OIL FILTER PIPE	1	
15700		15700-LGC6-E00	OIL WATER HEAT EXCHANGER	OIL WATER HEAT EXCHANGER	1	
32105		32105-LLJ3-E00	SUB HARNESS	SUB HARNESS	1	
35500		35500-KED9-900	SW ASSY OIL PRESSURE	SW ASSY OIL PRESSURE	1	
90033		90033-LGC6-E00	BOLT STUD 10X35	BOLT STUD 10X35	5	
90412		90412-PUA5-E00	WASHER A6.1*11.5-A1	WASHER A6.1*11.5-A1	6	
90442		90442-LGC6-E00	SEALING WASHER 18X8.5X2.3	SEALING WASHER 18X8.5X2.3	6	
90465		90465-PUA5-E00	WASHER DIN7603-A14*20-CU	WASHER DIN7603-A14*20-CU	1	

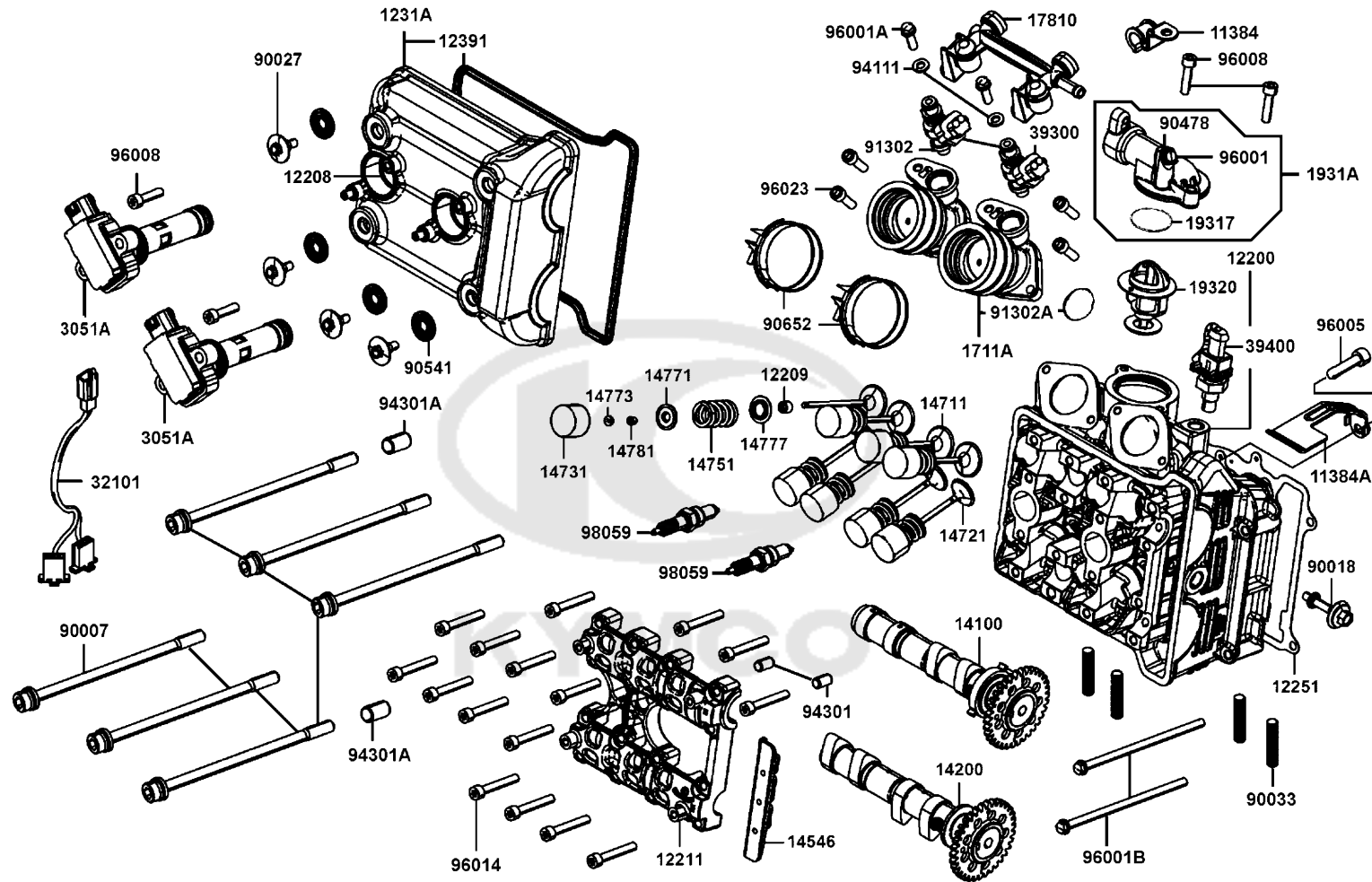
E01

Crank Case



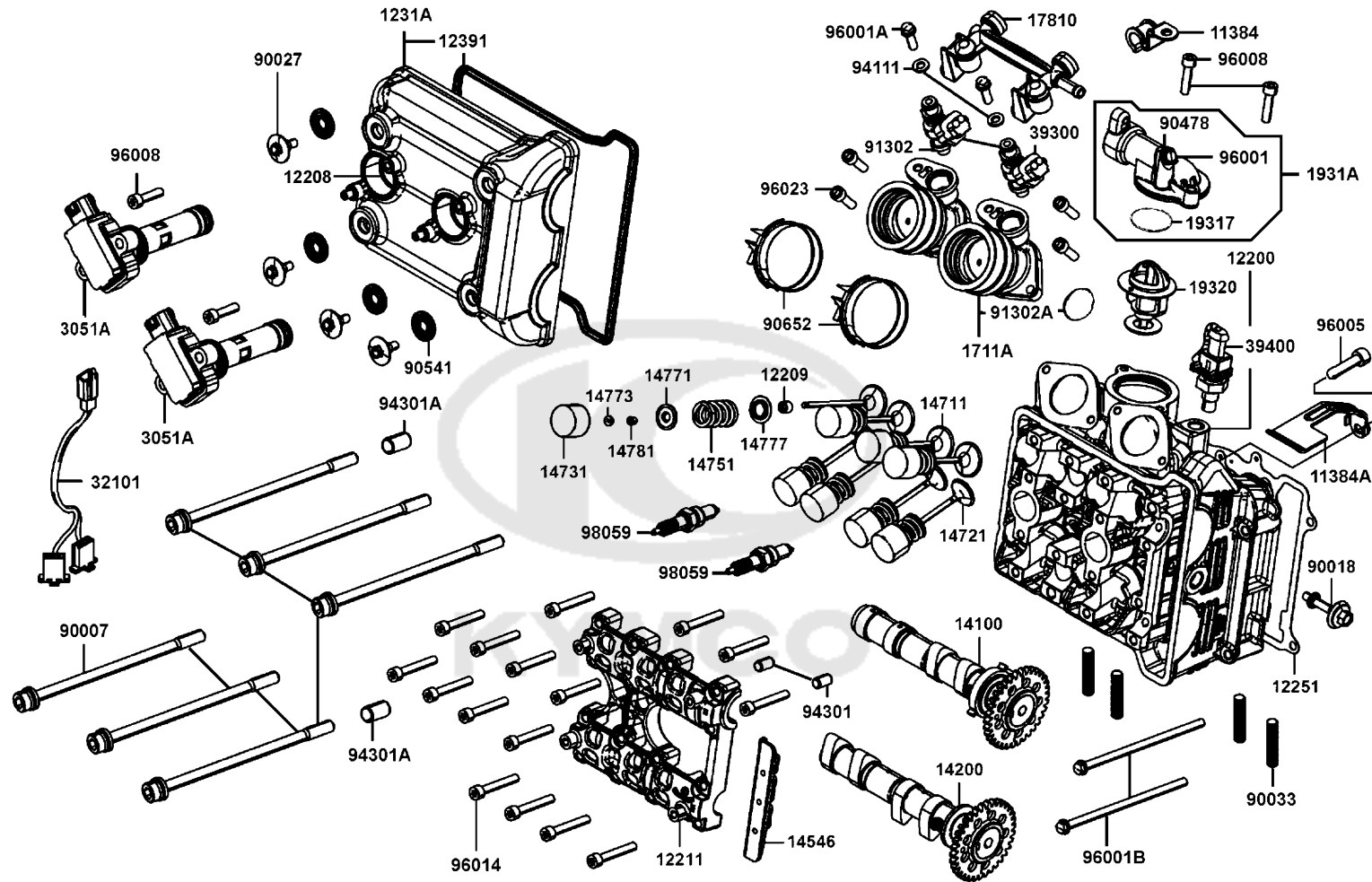
Sales mark	Ref no	Part no	Description	Reg description	Regd no	E01
	90525	90525-KED9-900	LOCK PIN 8*16	LOCK PIN 8*16	2	
	90805	90805-LGC6-E00	CONE TYPE PLUG SPECIAL	CONE TYPE PLUG SPECIAL	1	
	91301	91301-LGC6-E00	O RING	O RING	1	
	91302	91302-PRA1-E00	O-RING 7X17	O-RING 7X17	1	
	91304	91304-LFA7-E00	O-RING 9.4*2.4	O-RING 9.4*2.4	3	
	91305	91305-LEH6-E00	O RING 19.8x1.9	O RING 19.8x1.9	1	
	91306	91306-PUA5-E00	O-RING 13*1.5	O-RING 13*1.5	2	
	91308	91308-LGC6-E00	O-RING 16*3.2	O-RING 16*3.2	1	
	91311	91311-PRA1-E00	O-RING 5.4X2.4 (FOR OIL PIPE)	O-RING 5.4X2.4 (FOR OIL PIPE)	2	
	91316	91316-PRA1-E00	O-RING 64X3	O-RING 64X3	1	
	91552	91552-LGC6-E00	COLLAR 13MM	COLLAR 13MM	6	
	94050	94050-10060	NUT FLANGE 10MM	NUT FLANGE 10MM	5	
	94301	94301-08140	DOWEL PIN 8*14	DOWEL PIN 8*14	1	
	95801	95801-08090-06	BOLT FLANGE 8*90	BOLT FLANGE 8*90	6	
	96001	96001-06035-06	BOLT FLANGE SH 6*35	BOLT FLANGE SH 6*35	8	
	96001A	96001-06055-06	BOLT FLANGE 6X55	BOLT FLANGE 6X55	4	
	96001B	96001-06090-06	BOLT FLANGE SH 6*90	BOLT FLANGE SH 6*90	8	
	96005	96005-PRA1-E00	BOLT M6*12	BOLT M6*12	2	
	96211	96211-16000	BALL STEEL #16	BALL STEEL #16	1	

Cylinder Head Cover Cylinder Head



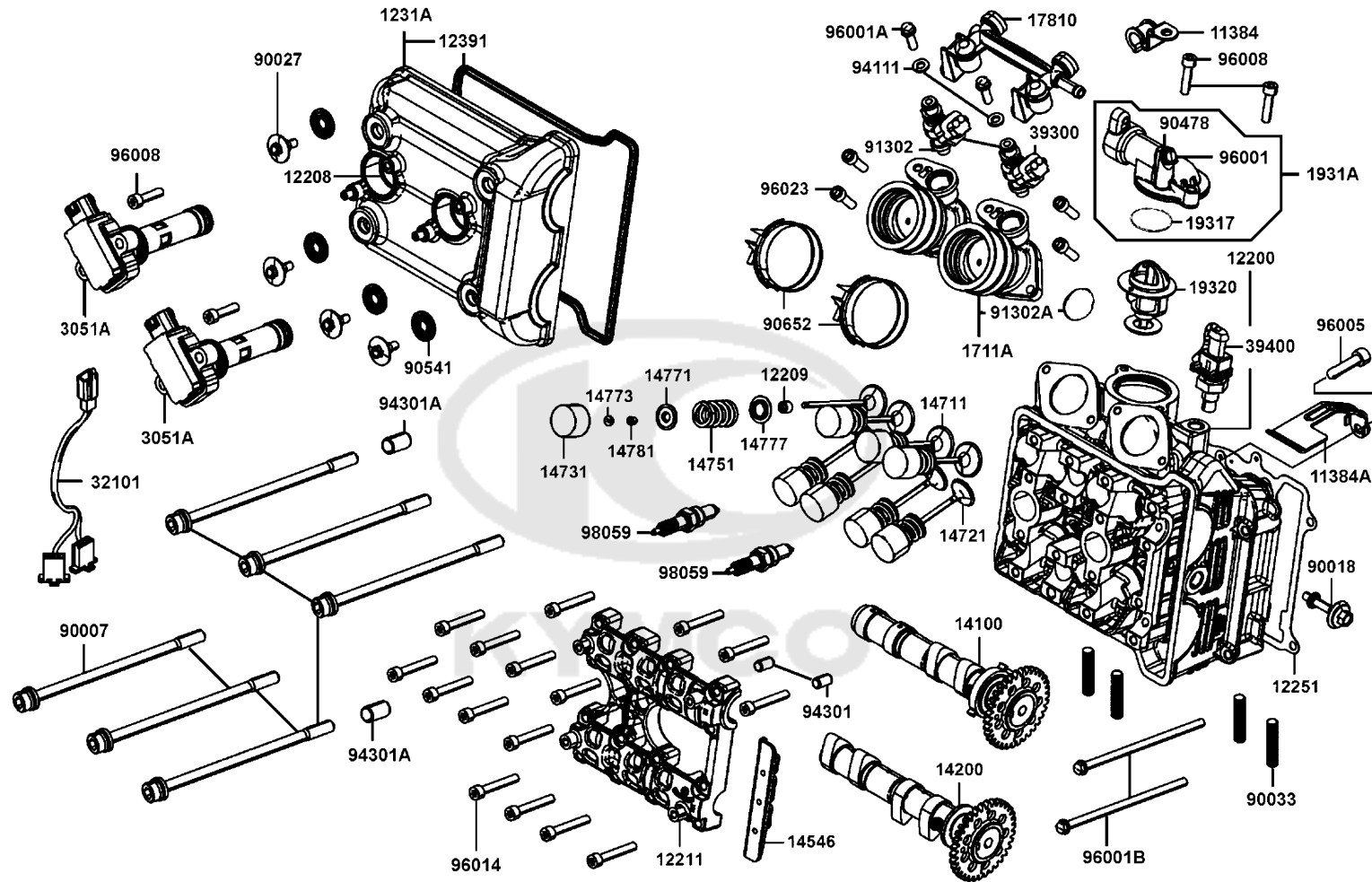
Sales mark	Ref no	Part no	Description	Reg description	Regd no	E02
11384		11384-LEA7-E05	CLIP WATER PIPE	CLIP WATER PIPE	1	
11384A		11384-LGC6-E02	CLAMPER HOSE STOPPER	CLAMPER HOSE STOPPER	1	
12208		12208-LGC6-E00	SEAL.TUBE SPARK	SEAL.TUBE SPARK	2	
12209		12209-LEA3-900	SEAL VALVE STEM	SEAL VALVE STEM	8	
12251		12251-LGC6-E00	GASKET CYLINDER HEAD	GASKET CYLINDER HEAD	1	
1231A		1231A-LGC6-E00	COVER ASSY CYLN HEAD	COVER ASSY CYLN HEAD	1	
12391		12391-LGC6-E00	SEAL HEAD COVER	SEAL HEAD COVER	1	
14100		14100-LGC6-E00	CAMSHAFT COMP INLET	CAMSHAFT COMP INLET	0	
14200		14200-LGC6-E00	CAMSHAFT COMP EXHAUST	CAMSHAFT COMP EXHAUST	1	
14546		14546-LGC6-E00	CHAIN GUIDE UPPER ASM	CHAIN GUIDE UPPER ASM	1	
14711		14711-LGC6-E00	VALVE. INLET	VALVE. INLET	4	
14721		14721-LGC6-E00	VALVE. EXHAUST	VALVE. EXHAUST	4	
14731		14731-LGC6-E00	LIFTER VALVE	LIFTER VALVE	8	
14751		14751-LGC6-E00	SPRING VALVE	SPRING VALVE	8	
14771		14771-LGC6-C00	RETAINER ALVE SPRING	RETAINER ALVE SPRING	8	
14773		14773-LGC6-E00-01	SHIM 1.50	SHIM 1.50	1	
14773		14773-LGC6-E00-02	SHIM 1.55	SHIM 1.55	1	
14773		14773-LGC6-E00-03	SHIM 1.575	SHIM 1.575	1	
14773		14773-LGC6-E00-04	SHIM 1.60	SHIM 1.60	1	
14773		14773-LGC6-E00-05	SHIM 1.625	SHIM 1.625	1	

Cylinder Head Cover Cylinder Head



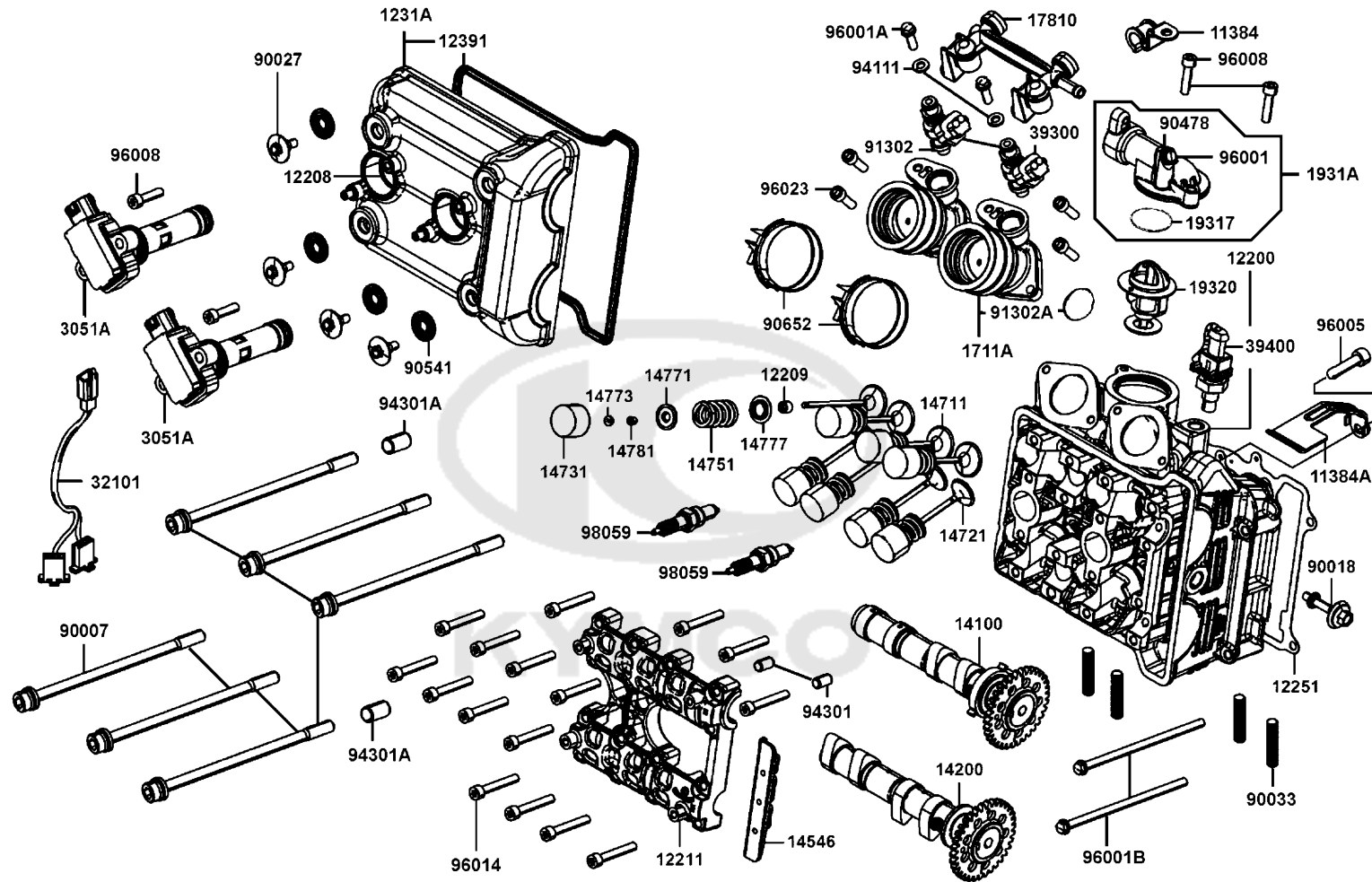
Sales mark	Ref no	Part no	Description	Reg description	Regd no	E02
	14773	14773-LGC6-E00-06	SHIM 1.65	SHIM 1.65	1	
	14773	14773-LGC6-E00-07	SHIM 1.675	SHIM 1.675	1	
	14773	14773-LGC6-E00-08	SHIM 1.70	SHIM 1.70	1	
	14773	14773-LGC6-E00-09	SHIM 1.725	SHIM 1.725	1	
	14773	14773-LGC6-E00-10	SHIM 1.75	SHIM 1.75	1	
	14773	14773-LGC6-E00-11	SHIM 1.775	SHIM 1.775	1	
	14773	14773-LGC6-E00-12	SHIM 1.80	SHIM 1.80	1	
	14773	14773-LGC6-E00-13	SHIM 1.825	SHIM 1.825	1	
	14773	14773-LGC6-E00-14	SHIM 1.85	SHIM 1.85	1	
	14773	14773-LGC6-E00-15	SHIM 1.875	SHIM 1.875	1	
	14773	14773-LGC6-E00-16	SHIM 1.90	SHIM 1.90	1	
	14773	14773-LGC6-E00-17	SHIM 1.925	SHIM 1.925	1	
	14773	14773-LGC6-E00-18	SHIM 1.95	SHIM 1.95	1	
	14773	14773-LGC6-E00-19	SHIM 2.0	SHIM 2.0	1	
	14777	14777-LGC6-E00	SEAT VALVE SPG	SEAT VALVE SPG	8	
	14781	14781-LGC6-C00	COTTER VALVE	COTTER VALVE	16	
	1711A	1711A-AKB8-E00	PIPE ASSY.. INLET	PIPE ASSY.. INLET	1	
	17810	17810-LGC6-E00	RAIL COMP FUEL SUPPLY	RAIL COMP FUEL SUPPLY	1	
	19317	19317-LBA2-E00	RING 48.3X2	RING 48.3X2	1	
	1931A	1931A-LGC6-E00	COVER ASSY THERMOSTAT	COVER ASSY THERMOSTAT	1	

Cylinder Head Cover Cylinder Head



Sales mark	Ref no	Part no	Description	Reg description	Regd no	E02
19320		19320-KED9-90A	THERMOSTAT	THERMOSTAT	1	
3051A		3051A-LGC6-E00	COIL ASSY IGN	COIL ASSY IGN	1	
32101		32101-LGC6-E00	SUB HARNESS COIL	SUB HARNESS COIL	1	
39300		39300-KKE5-800	INJECTOR UNIT FUEL	INJECTOR UNIT FUEL	1	
39400		39400-LEA6-800	COLLANT TEMPRATURE SENSOR	COLLANT TEMPRATURE SENSOR	1	
90007		90007-LGC6-E00	BOLT WASHER 9X160	BOLT WASHER 9X160	6	
90018		90018-KKE5-E00	BOLT ASSY HEAD COVER	BOLT ASSY HEAD COVER	1	
90027		90027-PUA5-E00	JACK SCREW M6 VALVE COVER 6*17	JACK SCREW M6 VALVE COVER 6*17	4	
90033		90033-KGB4-C00	BOLT STUD M8X40 (C)	BOLT STUD M8X40 (C)	4	
90478		90478-7L00-001	WASHER A 6MM	WASHER A 6MM	1	
90541		90541-PUA5-E00	PROFILE SEALING WASHER	PROFILE SEALING WASHER	4	
90652		90652-GFY6-901	BAND 49 AIR/C CONNECTING TUBE	BAND 49 AIR/C CONNECTING TUBE	2	
91302		91302-KKE5-800	SEAL RING	SEAL RING	1	
91302A		91302-LDB2-E00	O-RING 37*3	O-RING 37*3	1	
94111		94111-06800	WASHER SPG 6MM	WASHER SPG 6MM	2	
94301		94301-08140	DOWEL PIN 8*14	DOWEL PIN 8*14	2	
94301A		94301-12200	DOWEL PIN 12x20	DOWEL PIN 12x20	2	
96001		96001-06010-06	BOLT FLANGE 6*10	BOLT FLANGE 6*10	1	
96001A		96001-06018-06	BOLT FLANGE SH 6*18	BOLT FLANGE SH 6*18	2	
96001B		96001-06130-06	BOLT FLANGE SH 6*130	BOLT FLANGE SH 6*130	2	

Cylinder Head Cover Cylinder Head

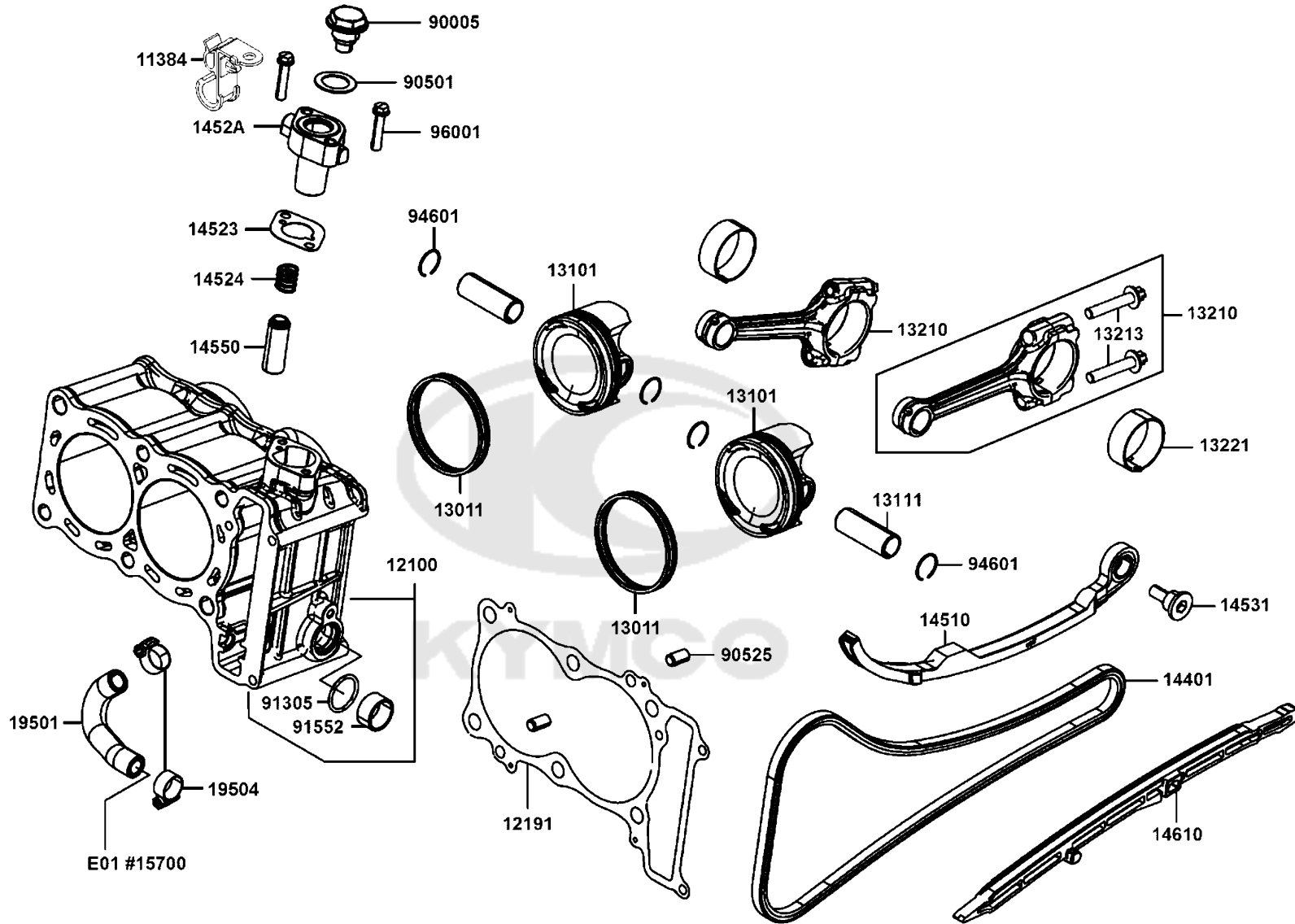


Sales mark	Ref no	Part no	Description	Reg description	Regd no	E02
96005	96005-PRA1-E00	96005-PRA1-E00	BOLT M6*12	BOLT M6*12	1	
96008	96008-PRA1-E00	96008-PRA1-E00	BOLT M6*25	BOLT M6*25	1	
96014	96014-PRA1-E00	96014-PRA1-E00	BOLT M6*40	BOLT M6*40	16	
96023	96023-PRA1-E00	96023-PRA1-E00	BOLT M6*20	BOLT M6*20	4	
98059	98059-57916-00	98059-57916-00	SPARK PLUG (CR7E)	SPARK PLUG (CR7E)	2	



E03

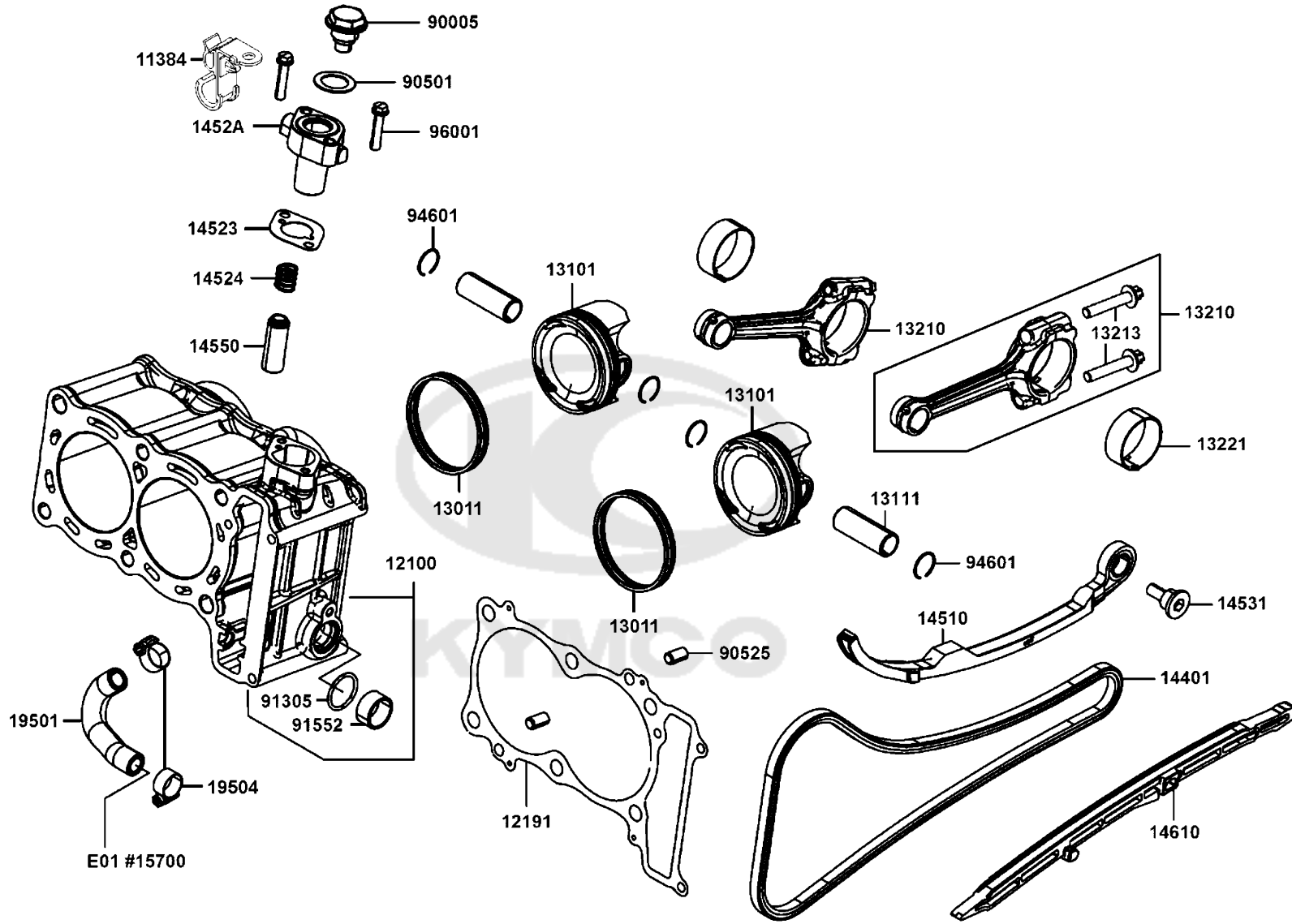
Cylinder Piston



Sales mark	Ref no	Part no	Description	Reg description	Regd no	E03
	11384	11384-LGC6-E03	CLAMPER A RR BRK HOSE	CLAMPER A RR BRK HOSE	1	
	12100	12100-LGC6-E00	CYLINDER COMP (A)	CYLINDER COMP (A)	1	
	12191	12191-LGC6-E00	GASKET CYLINDER	GASKET CYLINDER	1	
	13011	13011-LGC6-E00	RING SET PISTON	RING SET PISTON	2	
	13101	13101-LGC6-E02	PISTON	PISTON	2	
	13111	13111-LGC6-E00	PIN PISTON	PIN PISTON	2	
	13210	13210-LGC6-E00-1	CONN ROD ASSY 39(0~+0.008)	CONN ROD ASSY 39(0~+0.008)	2	
	13210	13210-LGC6-E00-2	CONN ROD ASSY 39(+0.008~+0.016)	CONN ROD ASSY 39(+0.008~+0.016)	2	
	13213	13213-LGC6-E00	BOLT CONN ROD	BOLT CONN ROD	4	
	13221	13221-LGC6-E00-A	BEARING CONN. ROD/ YELLOW	BEARING CONN. ROD/ YELLOW	4	
	13221	13221-LGC6-E00-B	BEARING CONN. ROD/ BLUE	BEARING CONN. ROD/ BLUE	4	
	13221	13221-LGC6-E00-C	BEARING CONN. ROD/ RED	BEARING CONN. ROD/ RED	4	
	13221	13221-LGC6-E00-D	BEARING CONN. ROD/ GREEN	BEARING CONN. ROD/ GREEN	4	
	13221	13221-LGC6-E00-E	BEARING CONN. ROD/ BLACK	BEARING CONN. ROD/ BLACK	4	
	14401	14401-LGC6-E00	CHAIN. CAM	CHAIN. CAM	1	
	14510	14510-LGC6-E00	TENSIONER. CAM CHAIN	TENSIONER. CAM CHAIN	1	
	14523	14523-KKE5-E01	GASKET TENSIONER LIFTER	GASKET TENSIONER LIFTER	1	
	14524	14524-KKE5-E01	SPRING OIL TENSIONER	SPRING OIL TENSIONER	1	
	1452A	1452A-ZPA3-E00	CASE ASM LIFTER TENSIONER	CASE ASM LIFTER TENSIONER	1	
	14531	14531-KHE7-900	PIVOT CAM CHAIN TENSIONER 8*24.2	PIVOT CAM CHAIN TENSIONER 8*24.2	1	

E03

Cylinder Piston

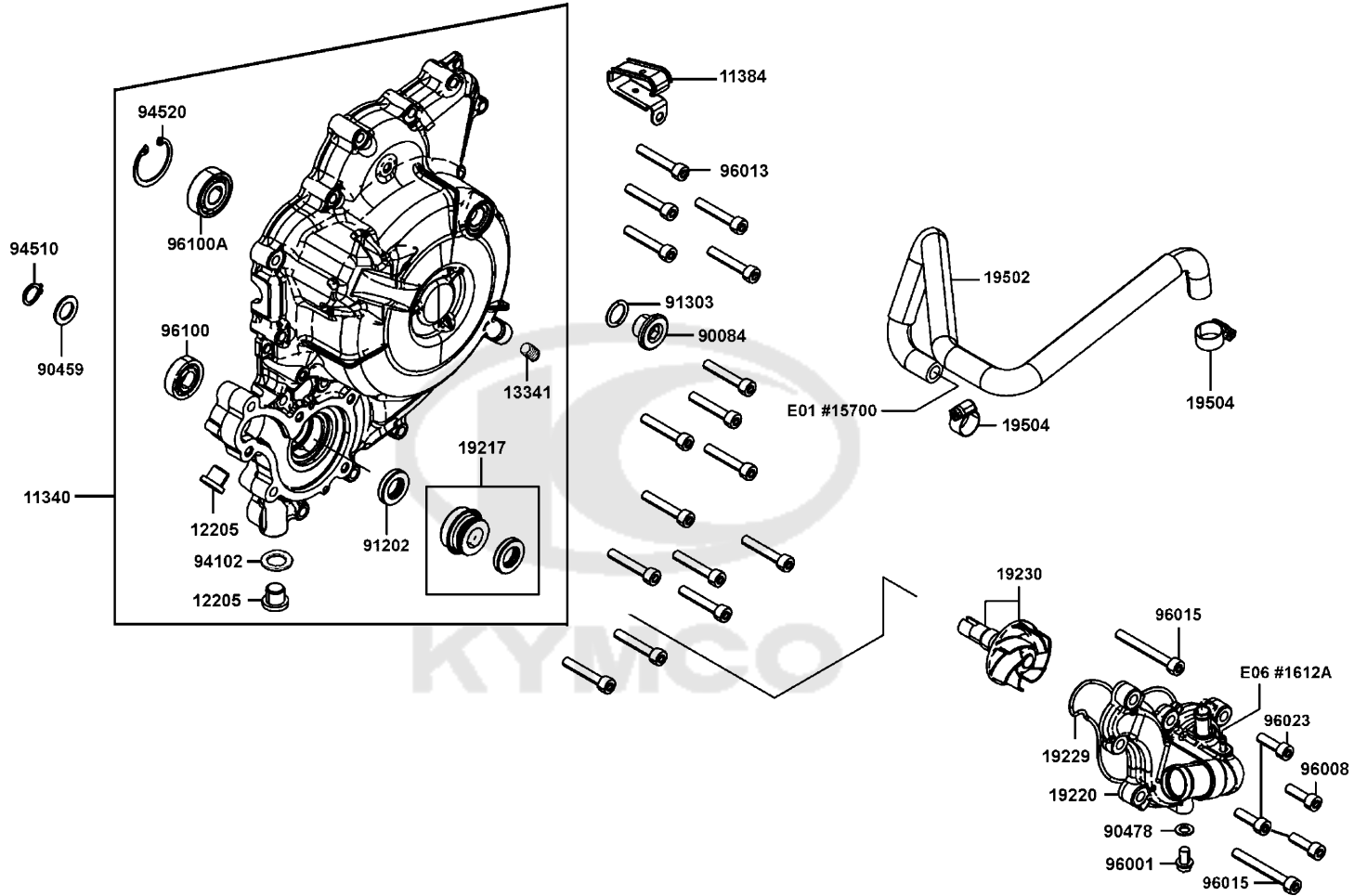


Sales mark	Ref no	Part no	Description	Reg description	Regd no	E03
14550		14550-KKE5-E02	CHAIN TENSIONER	CHAIN TENSIONER	1	
14610		14610-LGC6-E00	GUIDE COMP.. CAM CHAIN	GUIDE COMP.. CAM CHAIN	1	
19501		19501-LGC6-E00	HOSE. WATER A	HOSE. WATER A	1	
19504		19504-LBA2-E00	CLAMP D16.8	CLAMP D16.8	2	
90005		90005-LEH6-E00	BOLT SPECIAL M18*1.0	BOLT SPECIAL M18*1.0	1	
90501		90501-LEH6-E00	WASHER 28*18.2*1	WASHER 28*18.2*1	1	
90525		90525-KED9-900	LOCK PIN 8*16	LOCK PIN 8*16	2	
91305		91305-LEH6-E00	O RING 19.8x1.9	O RING 19.8x1.9	1	
91552		91552-LEH6-E00	COLLAR 20mm	COLLAR 20mm	1	
94601		94601-17000	CLIP PISTON PIN 17MM	CLIP PISTON PIN 17MM	4	
96001		96001-06028-06	BOLT FLANGE SH 6*28	BOLT FLANGE SH 6*28	1	



E04

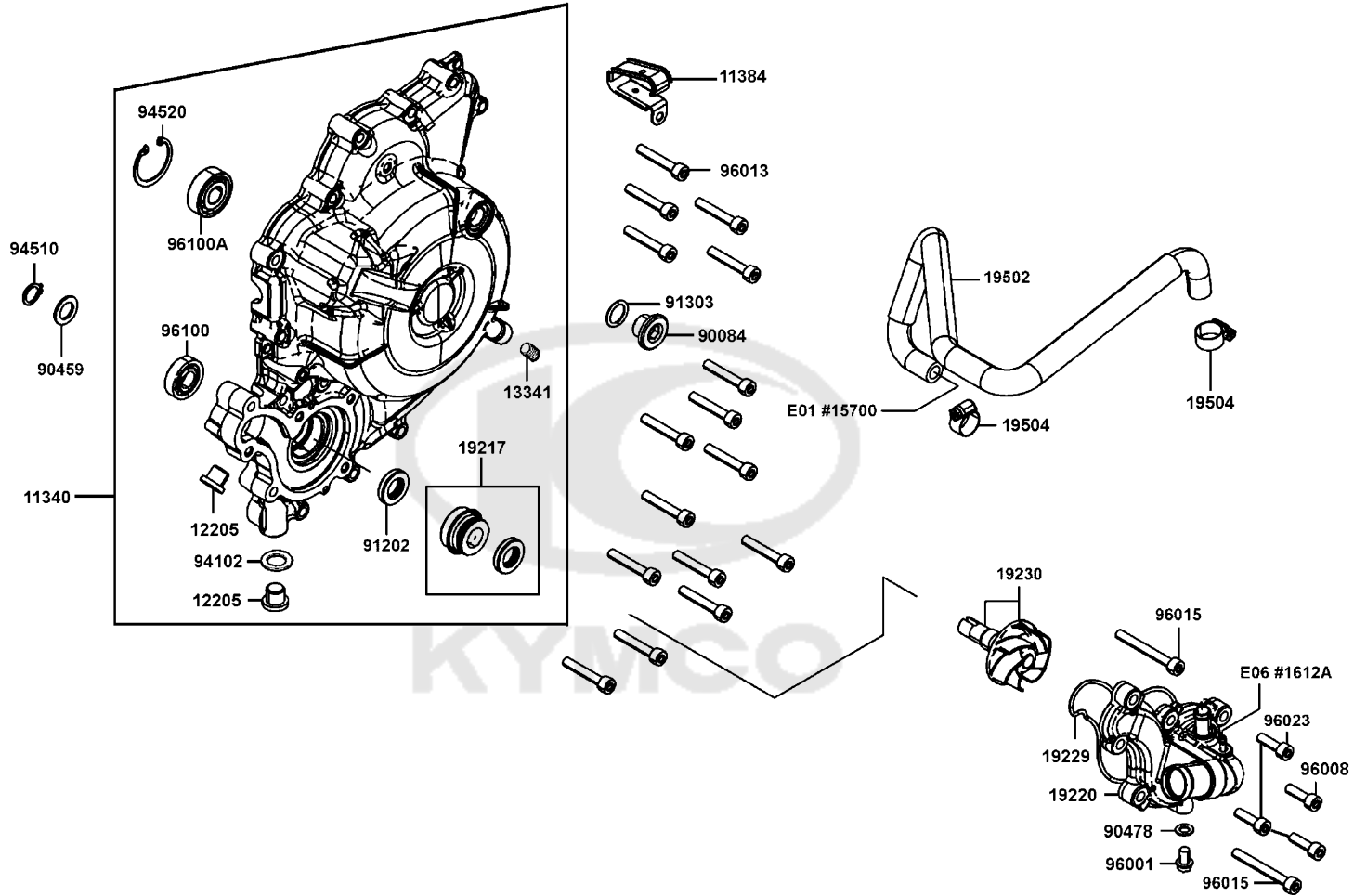
Left Side CoverWater Pump



Sales mark	Ref no	Part no	Description	Reg description	Regd no	E04
	11340	11340-LGC6-305	COVER SET L SIDE	COVER SET L SIDE	1	
	11384	11384-LGC6-E00	CLAMPER RR BRK HOSE	CLAMPER RR BRK HOSE	1	
	12205	12205-LEA7-E00	BOLT SEALING 12MM	BOLT SEALING 12MM	2	
	13341	13341-LGC6-E00	GRUB SCREW M6 X 7	GRUB SCREW M6 X 7	1	
	19217	19217-PRB9-E01	SEAL MECHANICAL	SEAL MECHANICAL	1	
	19220	19220-LGC6-E00	COVER COMP WATER PUMP	COVER COMP WATER PUMP	1	
	19229	19229-LGC6-E00	O-RING W/P BODY	O-RING W/P BODY	1	
	19230	19230-LGC6-E00	SHAFT ASSY IMPELLER	SHAFT ASSY IMPELLER	1	
	19502	19502-LGC6-E00	HOSE B WATER	HOSE B WATER	1	
	19504	19504-LBA2-E00	CLAMP D16.8	CLAMP D16.8	4	
**	90084	90084-4H28-001	CAP ACG	CAP ACG	1	
	90459	90459-LKF5-E00	WASHER 12MM	WASHER 12MM	1	
	90478	90478-7L00-001	WASHER A 6MM	WASHER A 6MM	1	
	91202	91202-LKG2-900	OIL SEAL 13.7*24*5	OIL SEAL 13.7*24*5	1	
	91303	91303-3G77-001	O-RING 13.8*2.5	O-RING 13.8*2.5	1	
	94102	94102-LGC6-E00	WASHER_18X12.2X1_AL	WASHER_18X12.2X1_AL	1	
	94510	94510-12000	CIR CLIP EXTERNAL 12	CIR CLIP EXTERNAL 12	1	
	94520	94520-32180	CIR CLIP IN 32	CIR CLIP IN 32	1	
	96001	96001-06010-06	BOLT FLANGE 6*10	BOLT FLANGE 6*10	1	
	96008	96008-PRA1-E00	BOLT M6*25	BOLT M6*25	1	

E04

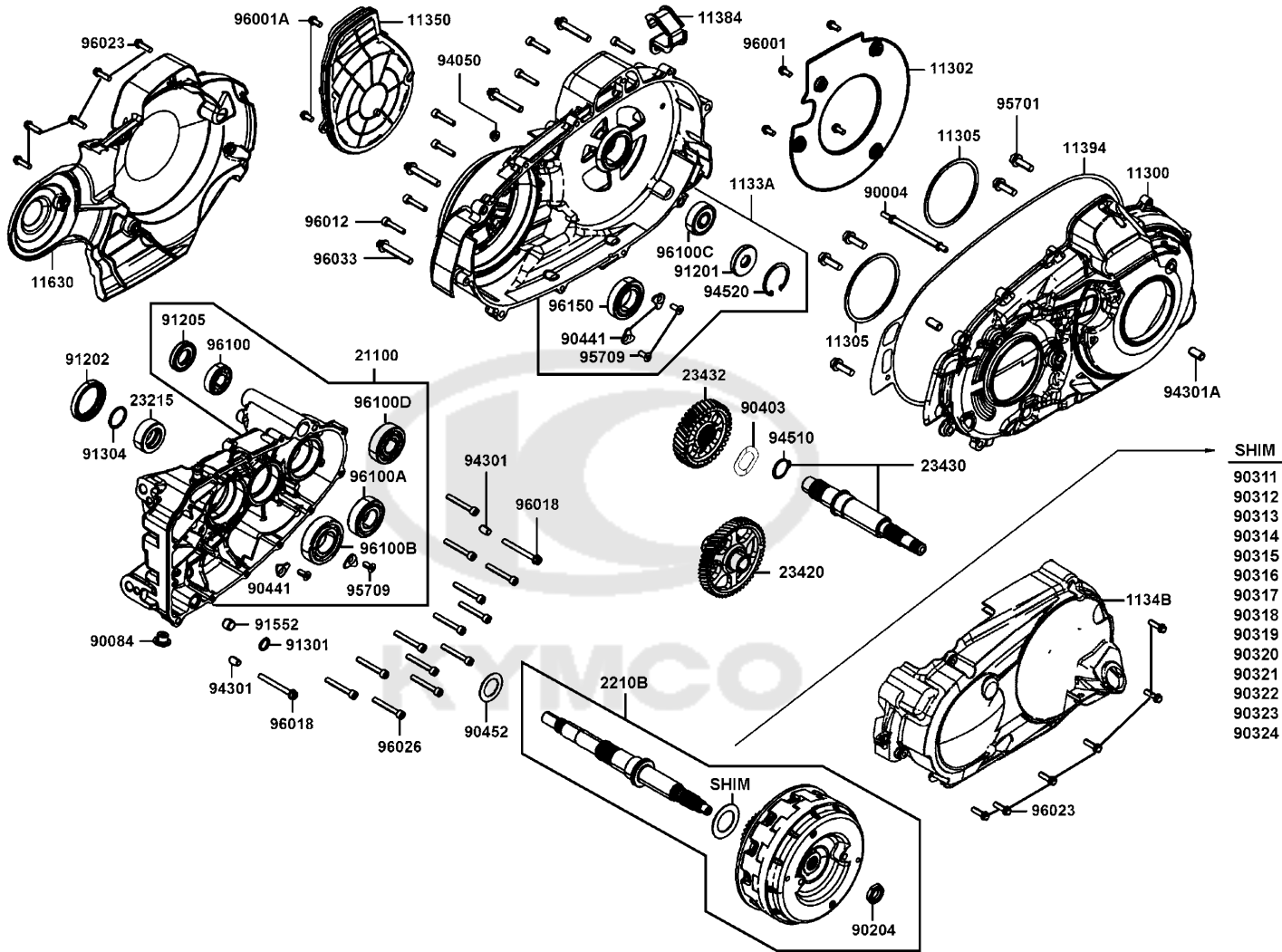
Left Side CoverWater Pump



Sales mark	Ref no	Part no	Description	Reg description	Regd no	E04
96013		96013-LGC6-E00	M6X35-8.8-ZNNIV SI	M6X35-8.8-ZNNIV SI	16	
96015		96015-PRA1-E00	BOLT M6*50	BOLT M6*50	2	
96023		96023-PRB9-E00	BOLT M6*20	BOLT M6*20	4	
96100		96100-60010-00	BEARING RADIAL BALL 6001	BEARING RADIAL BALL 6001	1	
96100A		96100-62010-00	BRG BALL RADIAL 6201	BRG BALL RADIAL 6201	1	
96100A		96100-62010-00	BRG BALL RADIAL 6201	BRG BALL RADIAL 6201	1	

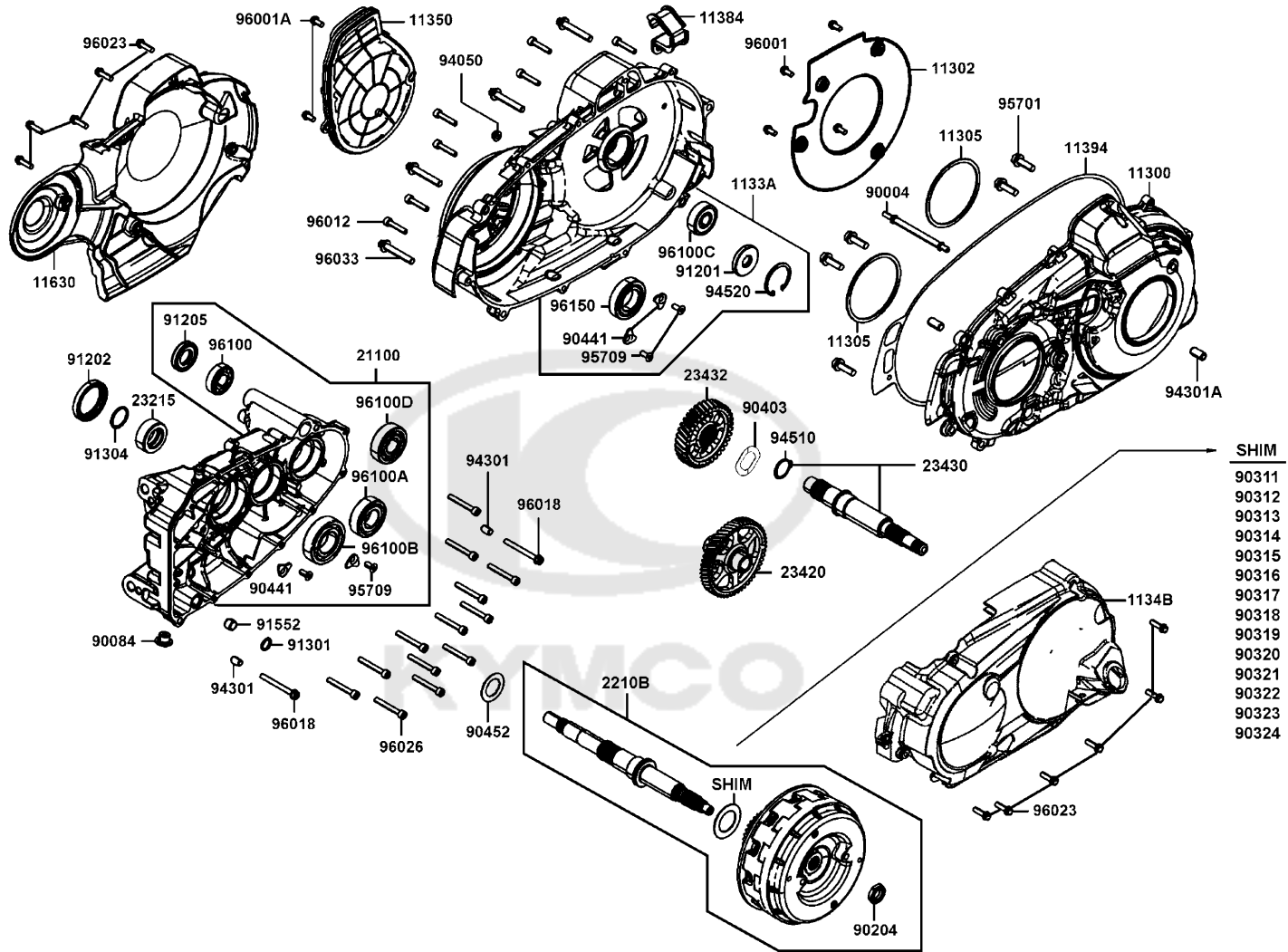


Right Crankcase Cover Shaft Main Shaft Counter



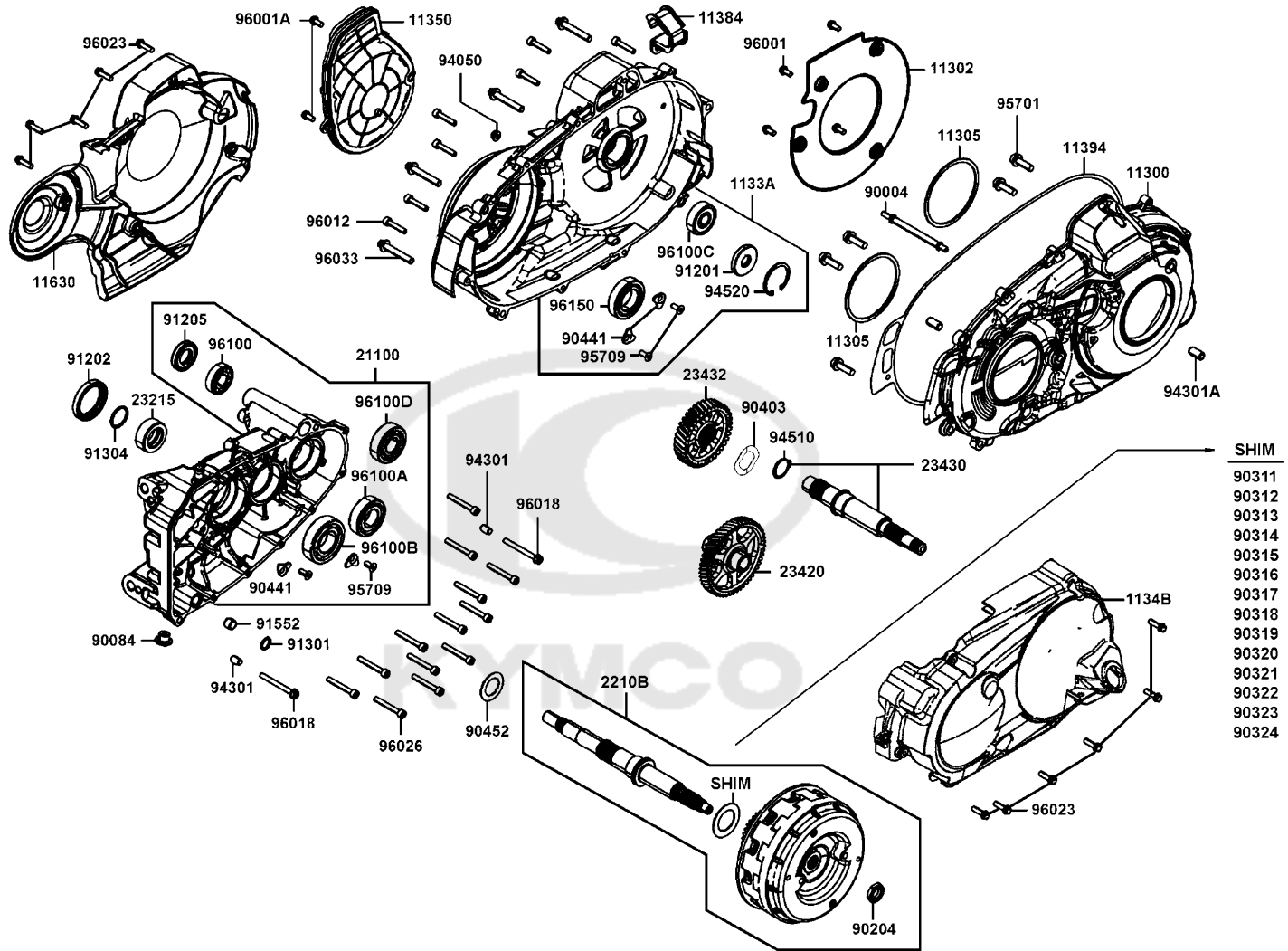
Sales mark	Ref no	Part no	Description	Reg description	Regd no	E05
	11300	11300-LGC6-E00	CASE CVT	CASE CVT	1	
	11302	11302-LGC6-E00	PLATE AIR INTAKE	PLATE AIR INTAKE	1	
	11305	11305-LGC6-E00	GASKET CVT CASE	GASKET CVT CASE	1	
	1133A	1133A-LGC6-E00	COVER COMP CVT	COVER COMP CVT	1	
**	1134B	1134B-LGC6-E00	COVER COMP. L COVER	COVER COMP. L COVER	1	
	11350	11350-LGC6-E00	ELEMENT COMP CVT COVER	ELEMENT COMP CVT COVER	1	
	11384	11384-LGC6-E01	CLAMPER RR BRK HOSE	CLAMPER RR BRK HOSE	1	
	11394	11394-LGC6-E00	GASKET.CVT COVER	GASKET.CVT COVER	1	
**	11630	11630-LGC6-E00	COVER COMP. R COVER	COVER COMP. R COVER	1	
	21100	21100-LGC6-E00	CASE COMP R MISSION	CASE COMP R MISSION	1	
	2210B	2210B-LGC6-E02	WET CLUTCH ASSY	WET CLUTCH ASSY	1	
	23215	23215-LGC6-E00	SPACER FIXED DRIVE	SPACER FIXED DRIVE	1	
	23420	23420-LGC6-E00	SHAFT COMP COUNTER	SHAFT COMP COUNTER	1	
	23430	23430-LGC6-E00	SHAFT COMP FINAL	SHAFT COMP FINAL	1	
	23432	23432-LGC6-E00	GEAR FINAL	GEAR FINAL	1	
	90004	90004-LGC6-E00	BOLT SPECIAL	BOLT SPECIAL	1	
	90084	90084-KKE5-E00	CAPE OIL CHANNEL	CAPE OIL CHANNEL	1	
	90204	90204-LGC6-E00	NUT FLANGE M16X1.0	NUT FLANGE M16X1.0	1	
	90311	90311-PWB1-900	SHIM DRIVEN BEVEL GEAR A	SHIM DRIVEN BEVEL GEAR A (0.575~0.625)	1	
	90312	90312-PWB1-900	SHIM DRIVEN BEVEL GEAR B	SHIM DRIVEN BEVEL GEAR B (0.625~0.675)	1	

Right Crankcase Cover Shaft Main Shaft Counter



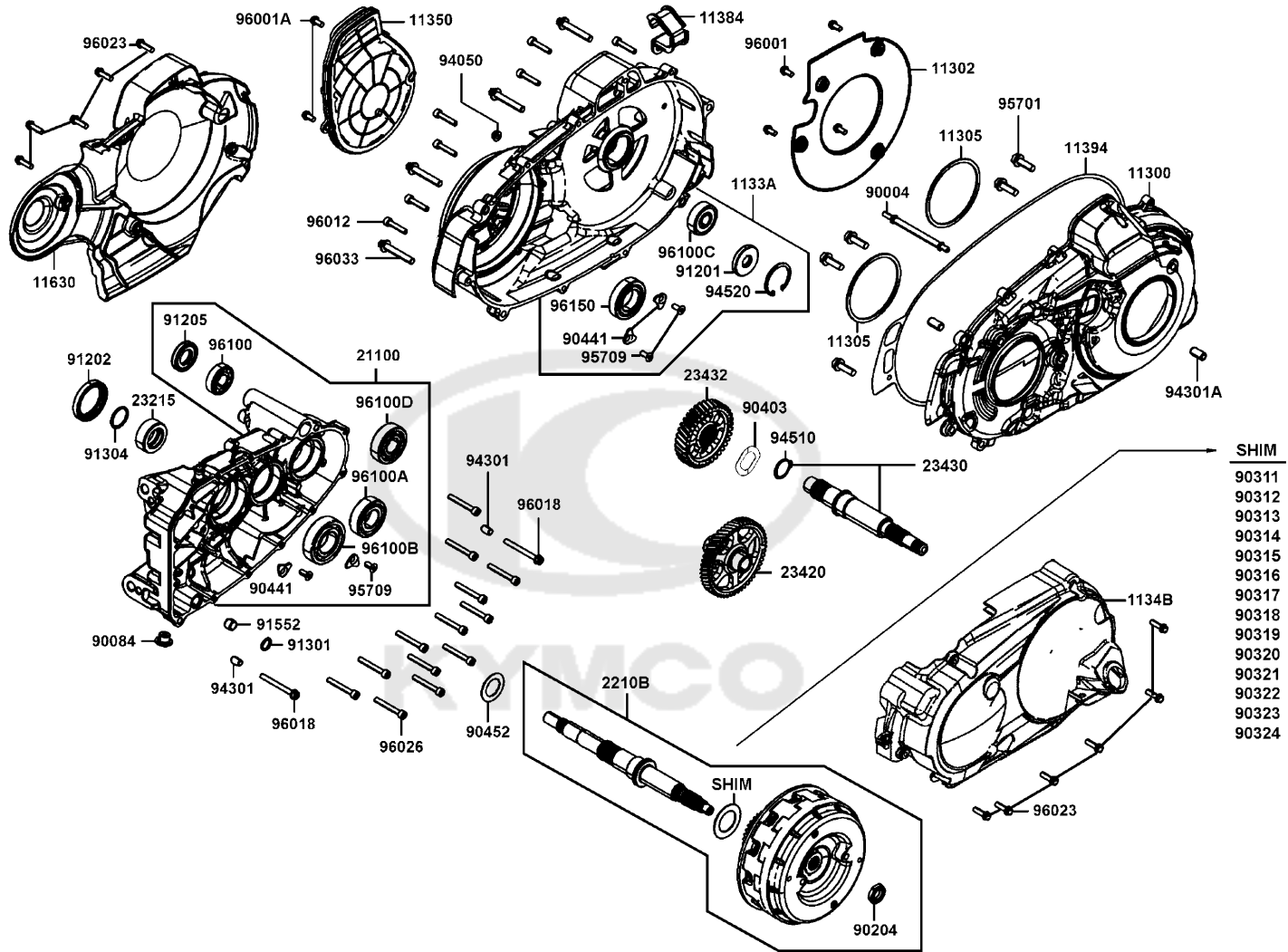
Sales mark	Ref no	Part no	Description	Reg description	Regd no	E05
90313		90313-PWB1-900	SHIM DRIVEN BEVEL GEAR C	SHIM DRIVEN BEVEL GEAR C (0.675~0.725)	1	
90314		90314-PWB1-900	SHIM DRIVEN BEVEL GEAR D	SHIM DRIVEN BEVEL GEAR D (0.725~0.775)	1	
90315		90315-PWB1-900	SHIM DRIVEN BEVEL GEAR E	SHIM DRIVEN BEVEL GEAR E (0.775~0.825)	1	
90316		90316-PWB1-900	SHIM DRIVEN BEVEL GEAR F	SHIM DRIVEN BEVEL GEAR F (0.825~0.875)	1	
90317		90317-PWB1-900	SHIM DRIVEN BEVEL GEAR G	SHIM DRIVEN BEVEL GEAR G (0.875~0.925)	1	
90318		90318-PWB1-900	SHIM DRIVEN BEVEL GEAR H	SHIM DRIVEN BEVEL GEAR H (0.925~0.975)	1	
90319		90319-PWB1-900	SHIM DRIVEN BEVEL GEAR I	SHIM DRIVEN BEVEL GEAR I (0.975~1.025)	1	
90320		90320-PWB1-900	SHIM DRIVEN BEVEL GEAR J	SHIM DRIVEN BEVEL GEAR J (1.025~1.075)	1	
90321		90321-PWB1-900	SHIM DRIVEN BEVEL GEAR K	SHIM DRIVEN BEVEL GEAR K (1.075~1.125)	1	
90322		90322-PWB1-900	SHIM DRIVEN BEVEL GEAR L	SHIM DRIVEN BEVEL GEAR L (1.125~1.175)	1	
90323		90323-PWB1-900	SHIM DRIVEN BEVEL GEAR M	SHIM DRIVEN BEVEL GEAR M (1.175~1.225)	1	
90324		90324-PWB1-900	SHIM DRIVEN BEVEL GEAR N	SHIM DRIVEN BEVEL GEAR N (1.225~1.275)	1	
90403		90403-LGC6-E00	WAVE WASHER 25MM	WAVE WASHER 25MM	1	
90441		90441-LKF5-E00	PLATE BRG. HOLD	PLATE BRG. HOLD	4	
90452		90452-LBA7-900	WASHER THRUST 25MM	WASHER THRUST 25MM	1	
91201		91201-LGC6-E00	OIL SEAL 15X42X7	OIL SEAL 15X42X7	1	
91202		91202-LGC6-E00	OIL SEAL 42X55X8	OIL SEAL 42X55X8	1	
91205		91205-LGC6-E00	OIL SEAL 22X40X7	OIL SEAL 22X40X7	1	
91301		91301-LGC6-E00	O RING	O RING	1	
91304		91304-LGC6-E00	O RING 25.5X2.5	O RING 25.5X2.5	1	

Right Crankcase Cover Shaft Main Shaft Counter



Sales mark	Ref no	Part no	Description	Reg description	Regd no	E05
	91552	91552-LGC6-E00	COLLAR 13MM	COLLAR 13MM	1	
	94050	94050-06060	NUT FLANGE 6MM	NUT FLANGE 6MM	1	
	94301	94301-08140	DOWEL PIN 8*14	DOWEL PIN 8*14	2	
	94301A	94301-10200	DOWEL PIN 10*20	DOWEL PIN 10*20	2	
	94510	94510-25000	CIR CLIP EX 25	CIR CLIP EX 25	1	
	94520	94520-42000	CIR CLIP IN 42MM	CIR CLIP IN 42MM	1	
	95701	95701-08025-06	BOLT FLANGE 8*25	BOLT FLANGE 8*25	5	
	95709	95709-PRA1-E00	SCREW COUNTERSUNK M6*12	SCREW COUNTERSUNK M6*12	4	
	96001	96001-06012-06	BOLT FLANGE SH 6*12	BOLT FLANGE SH 6*12	4	
	96001A	96001-06014-06	BOLT FLANGE SH 6X14	BOLT FLANGE SH 6X14	2	
	96012	96012-PRA1-E00	BOLT M6*30	BOLT M6*30	7	
	96018	96018-PRA1-E00	BOLT M6*60	BOLT M6*60	2	
	96023	96023-PRA1-E00	BOLT M6*20	BOLT M6*20	11	
	96026	96026-PRA1-E00	BOLT M6*45	BOLT M6*45	13	
	96033	96033-PRA1-E00	BOLT M8*50	BOLT M8*50	3	
	96100	96100-30203-10	BEARING BALL RADIAL	BEARING BALL RADIAL	1	
	96100A	96100-62050-00	BEARING BALL RADIAL 6205	BEARING BALL RADIAL 6205	1	
	96100B	96100-62060-00	BRG RADIAL BALL 6206	BRG RADIAL BALL 6206	1	
	96100C	96100-63020-00	BRG BALL RADIAL 6302	BRG BALL RADIAL 6302	1	
	96100D	96100-63040-00	BRG BALL RADIAL 6304	BRG BALL RADIAL 6304	1	

Right Crankcase Cover Shaft Main Shaft Counter



Sales mark	Ref no	Part no	Description	Reg description	Regd no	E05
------------	--------	---------	-------------	-----------------	---------	------------

96150

96150-60060-10

BEARING BALL RADIAL 6006

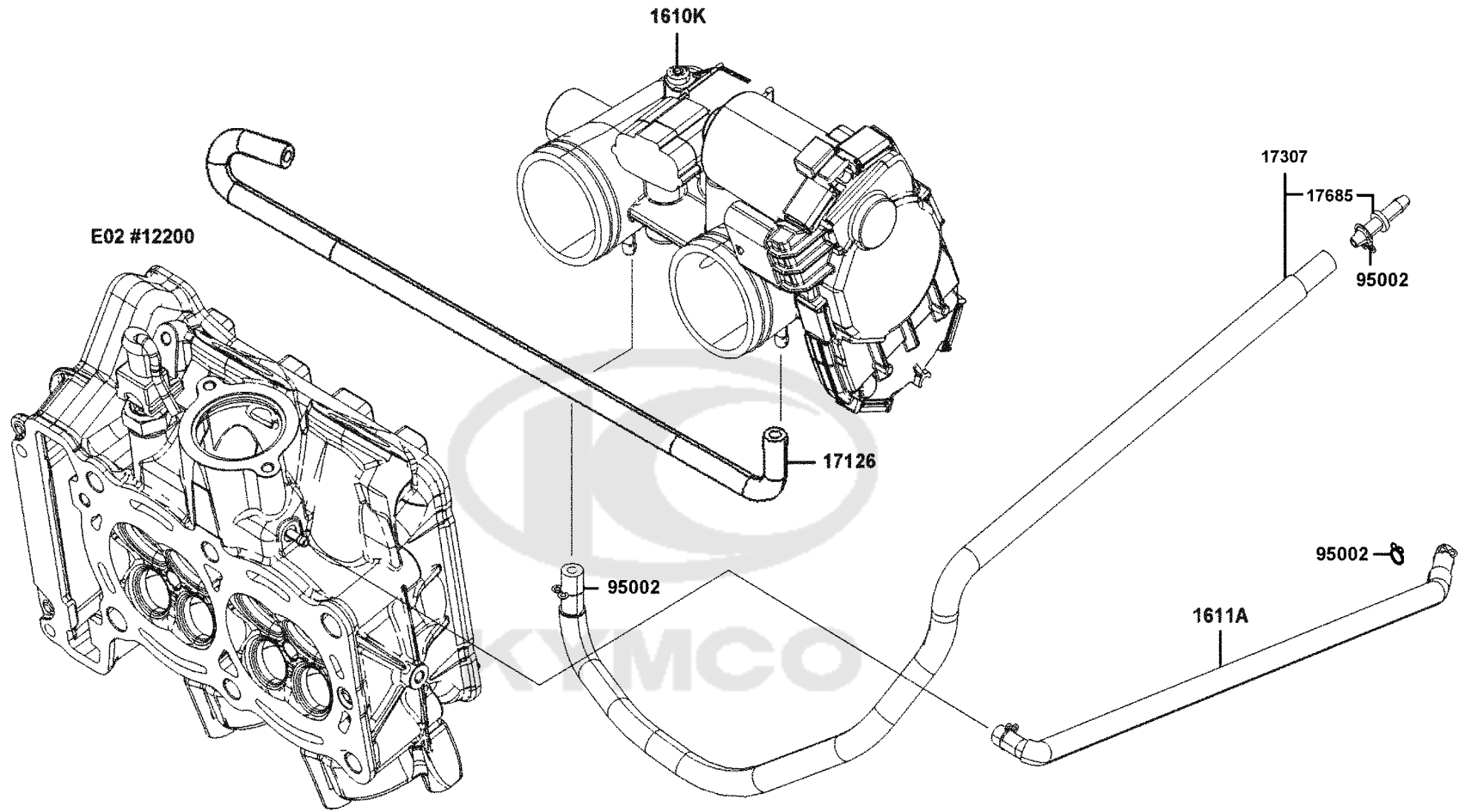
BEARING BALL RADIAL 6006

1



E06

Throttle Body

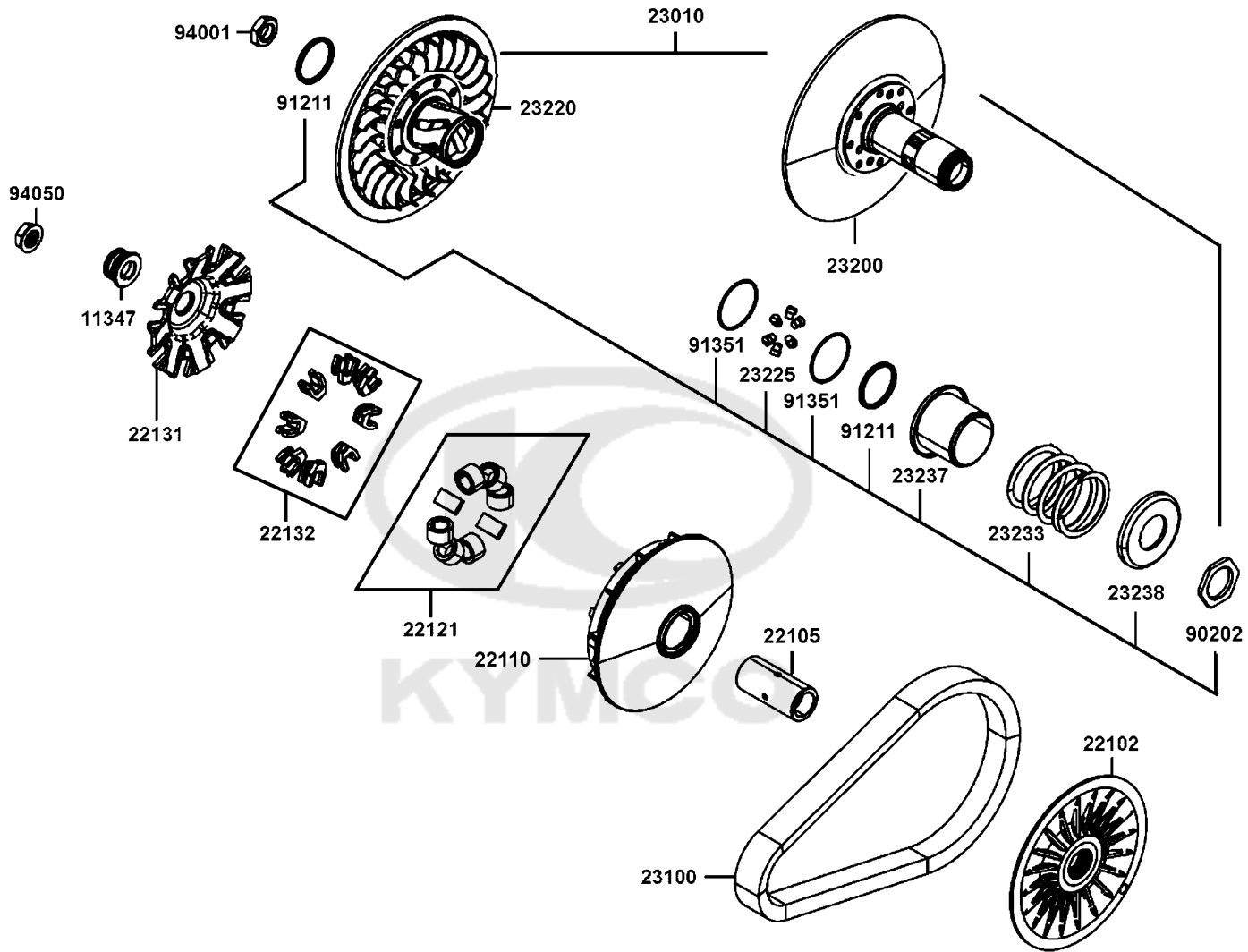


Sales mark	Ref no	Part no	Description	Reg description	Regd no	E06
1610K		1610K-AKB8-E00	THROTTLE BODY ASSY	THROTTLE BODY ASSY	1	
1611A		1611A-LGC6-E00	HOSE A ASSY T/H BODY	HOSE A ASSY T/H BODY	1	
17126		17126-AKB8-E00	TUBE ASSY	TUBE ASSY	1	
17307		17307-LGC6-E00	TUBE ASSY	TUBE ASSY	1	
17685		17685-GLE0-301	JOINT COCK-CARB TUBE	JOINT COCK-CARB TUBE	1	
95002		95002-02070	CLIP B7 TUBE	CLIP B7 TUBE	5	

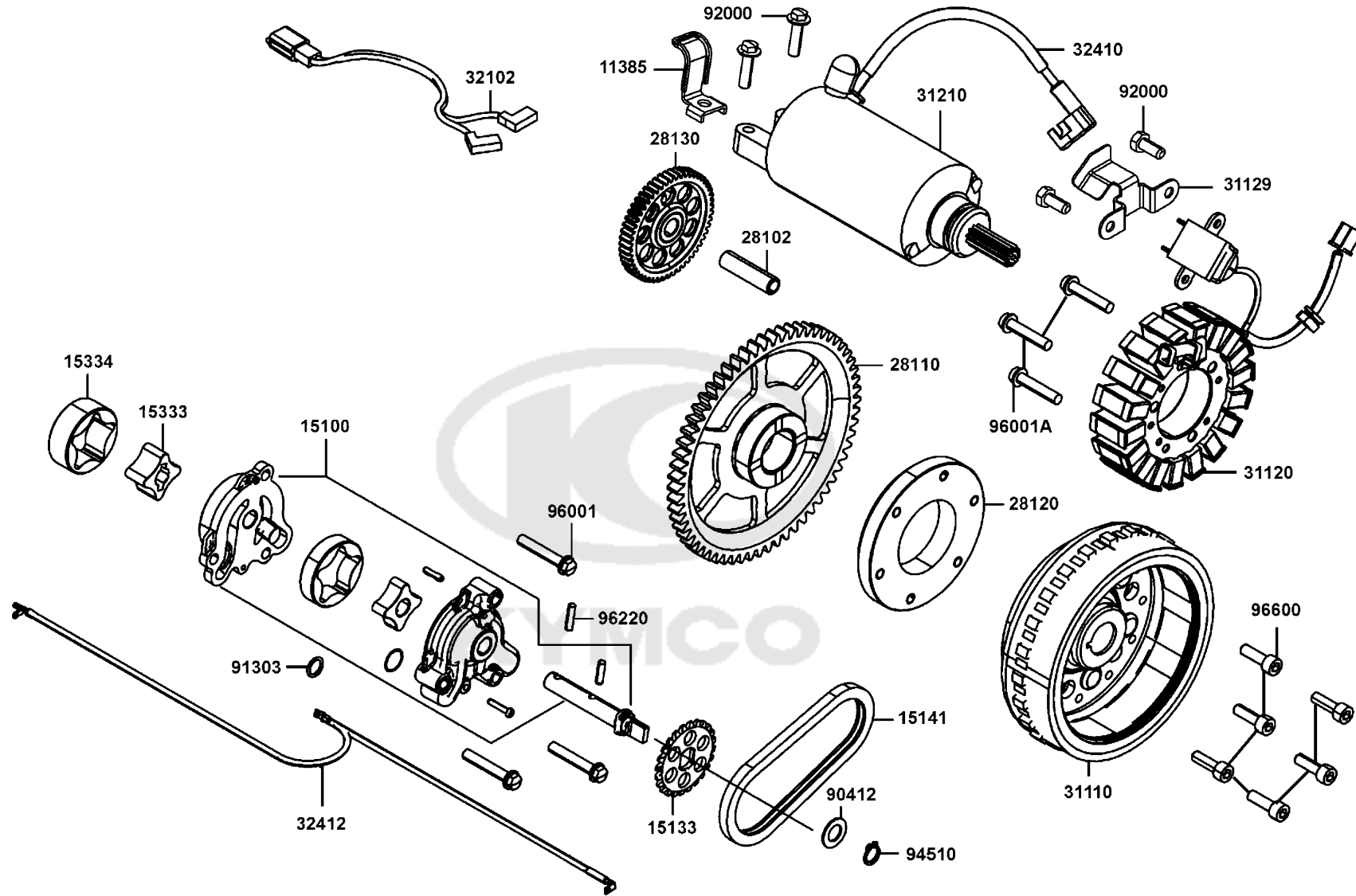


E07

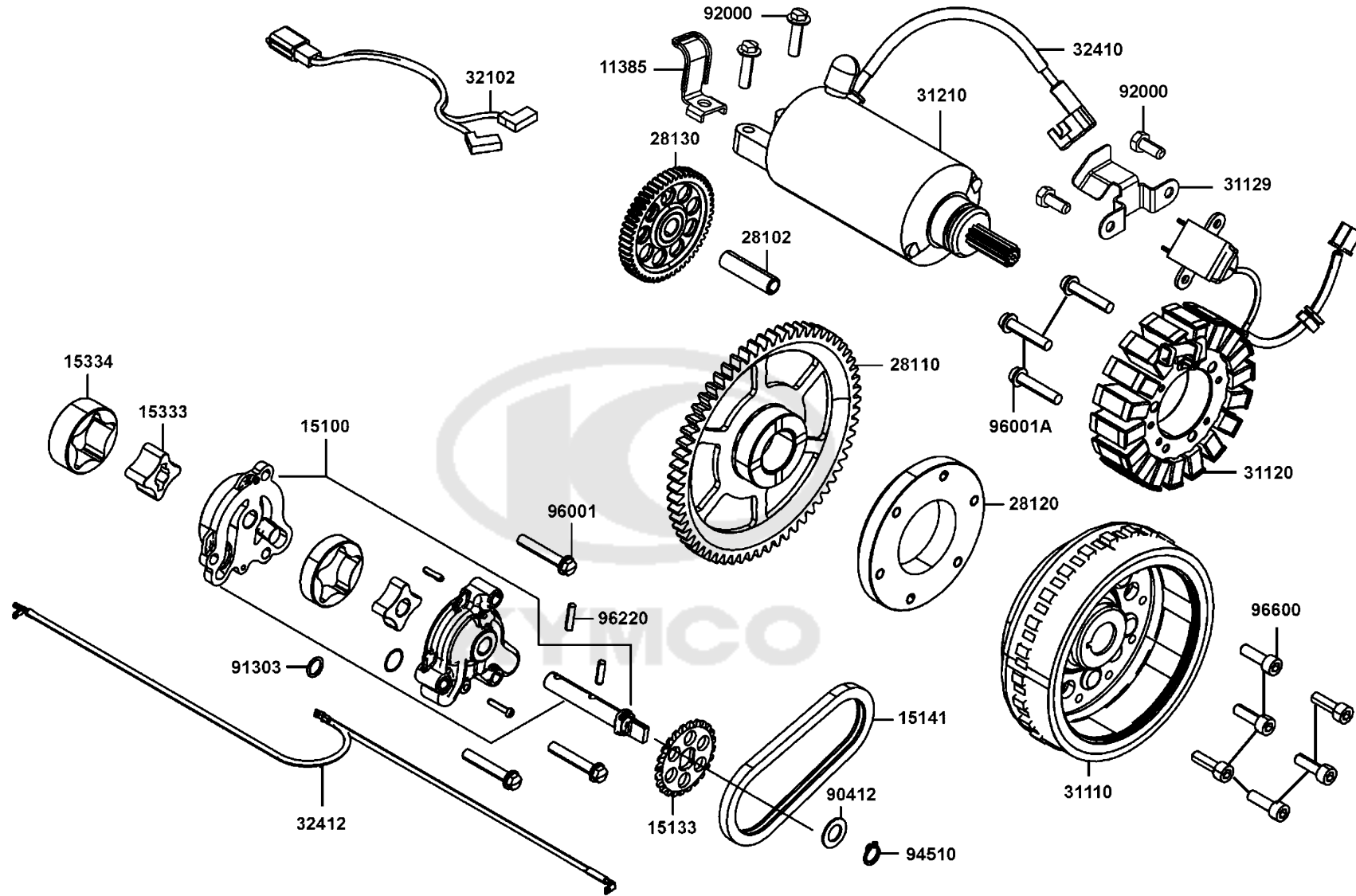
Transmission Pulley



Sales mark	Ref no	Part no	Description	Reg description	Regd no	E07
	11347	11347-LKF5-E00	BOSS DRIVE SHAFT	BOSS DRIVE SHAFT	1	
	22102	22102-LGC6-E00	FACE DRIVE	FACE DRIVE	1	
	22105	22105-LGC6-E00	BOSS DRIVE FACE	BOSS DRIVE FACE	1	
	22110	22110-LGC6-E00	FACE COMP MOVABLE	FACE COMP MOVABLE	1	
	22121	22121-LGC6-305	ROLLER SET WEIGHT (1SET:8 PCS)	ROLLER SET WEIGHT (1SET:8 PCS)	1	
	22131	22131-LGC6-E00	PLATE RAMP	PLATE RAMP	1	
	22132	22132-ADG5-305	PIECE SET SLIDE(1 SET:8 PCS)	PIECE SET SLIDE(1 SET:8 PCS)	1	
	23010	23010-LGC6-E00	PULLEY ASSY DRIVEN	PULLEY ASSY DRIVEN	1	
	23100	23100-LGC6-E00	BELT DRIVE (N-6N)	BELT DRIVE (N-6N)	1	
	23200	23200-LGC6-E00	FACE COMP DRIVEN A	FACE COMP DRIVEN A	1	
	23220	23220-LGC6-E00	FACE COMP. MOVABLE DRIVEN	FACE COMP. MOVABLE DRIVEN	1	
	23225	23225-LKF5-E00	PIN ROLLER GUIDE	PIN ROLLER GUIDE	6	
	23233	23233-LGC6-E00	SPG DRIVEN FACE	SPG DRIVEN FACE	1	
	23237	23237-LGC6-E00	COLLAR SEAL	COLLAR SEAL	1	
	23238	23238-LDB5-E00	COLLAR SPG	COLLAR SPG	1	
	90202	90202-LDB5-E00	NUT SPECIAL 36MM	NUT SPECIAL 36MM	1	
	91211	91211-LGC6-E00	SEAL DRIVEN 41X47X4	SEAL DRIVEN 41X47X4	2	
	91351	91351-LDB5-E00	O-RING PINION CAP	O-RING PINION CAP	2	
	94001	94001-LGC6-E00	NUT FLANGE M18X1.0	NUT FLANGE M18X1.0	1	
	94050	94050-LKF5-E00	NUT FLANGE 18MM	NUT FLANGE 18MM	1	

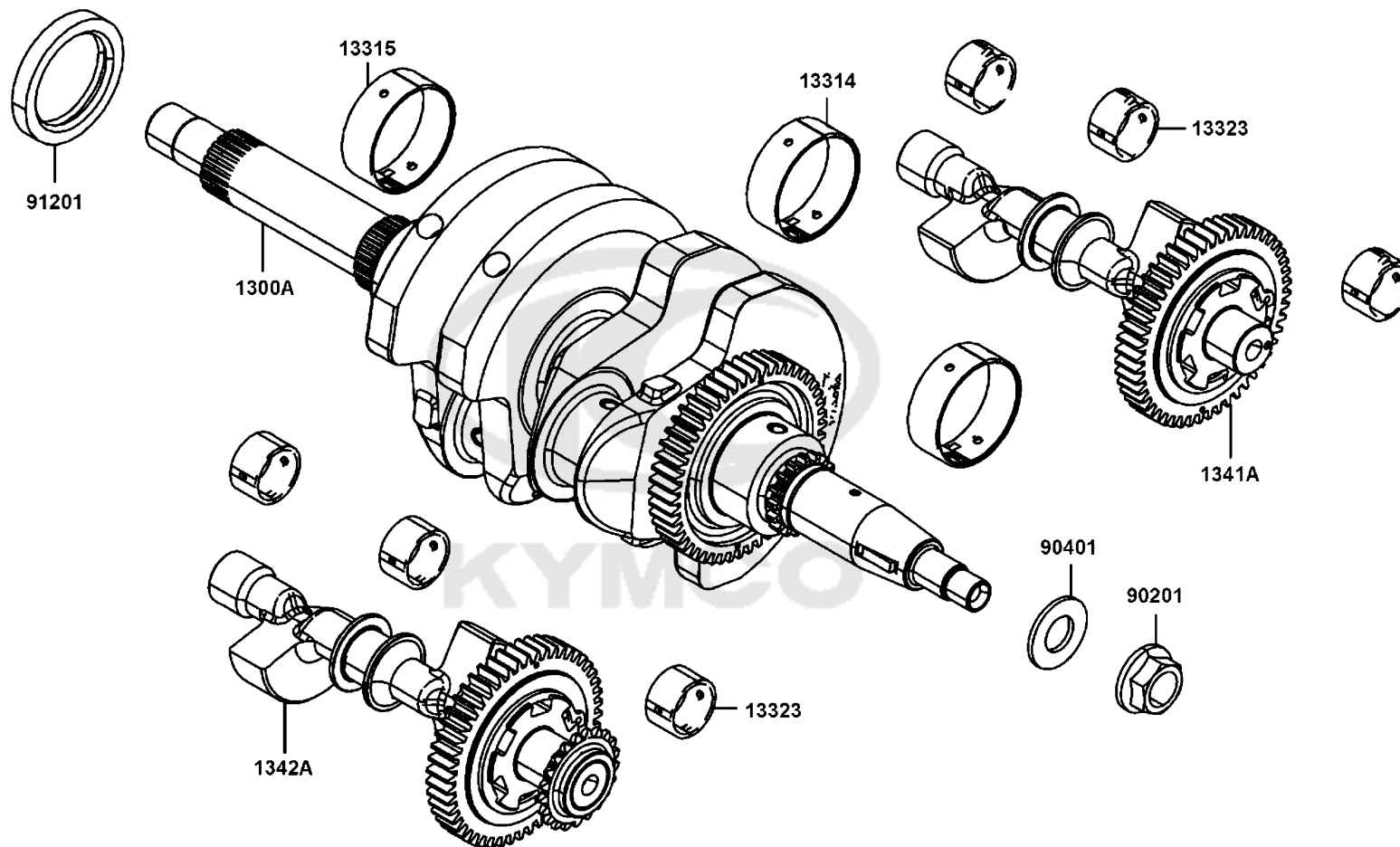


Sales mark	Ref no	Part no	Description	Reg description	Regd no	E08
	11385	11385-LGC6-E00	CLAMP BLOW BY HOSE	CLAMP BLOW BY HOSE	1	
	15100	15100-LGC6-E00	PUMP ASSY OIL	PUMP ASSY OIL	1	
	15133	15133-LGC6-E00	SPRKT OIL PUMP DRIVEN	SPRKT OIL PUMP DRIVEN	1	
	15141	15141-GFY6-90C	CHAIN OIL PUMP	CHAIN OIL PUMP	1	
	15333	15333-LEH6-E00	ROTOR ENGINE INNER	ROTOR ENGINE INNER	1	
	15334	15334-LEH6-E00	ROTOR ENGINE OUTER	ROTOR ENGINE OUTER	1	
	28102	28102-LEA7-E00	SHAFT STARTER REDUCTION	SHAFT STARTER REDUCTION	1	
	28110	28110-LGC6-E01	GEAR COMP. STARTING CLUTCH (63T)	GEAR COMP. STARTING CLUTCH (63T)	1	
	28120	28120-LGC6-E00	ONE WAY CLUTCH	ONE WAY CLUTCH	1	
	28130	28130-LGC6-E01	GEAR STARTER REDUCTION (52T/11T)	GEAR STARTER REDUCTION (52T/11T)	1	
	31110	31110-LGC6-E00	FLYWHEEL COMP (D402)	FLYWHEEL COMP (D402)	1	
	31120	31120-LGC6-E00	STATOR COMP (D402)	STATOR COMP (D402)	1	
	31129	31129-LGC6-E00	STAYSTATOR COMP	STAYSTATOR COMP	1	
	31210	31210-LGC6-E00	MOTOR UNIT STARTER	MOTOR UNIT STARTER	1	
	32102	32102-AKB8-E00	SUB HARNESS, ENGINE	SUB HARNESS, ENGINE	1	
	32410	32410-LGC6-E00	CABLE. START MOTOR	CABLE. START MOTOR	1	
	32412	32412-LGC6-E01	CABLE EARTH	CABLE EARTH	1	
	90412	90412-3K29-001	WASHER THRUST 10M/M	WASHER THRUST 10M/M	1	
	91303	91303-PUA5-E00	O-RING_9X1_5	O-RING_9X1_5	1	
	92000	92000-05016-0G	BOLT HEX 5X16	BOLT HEX 5X16	4	

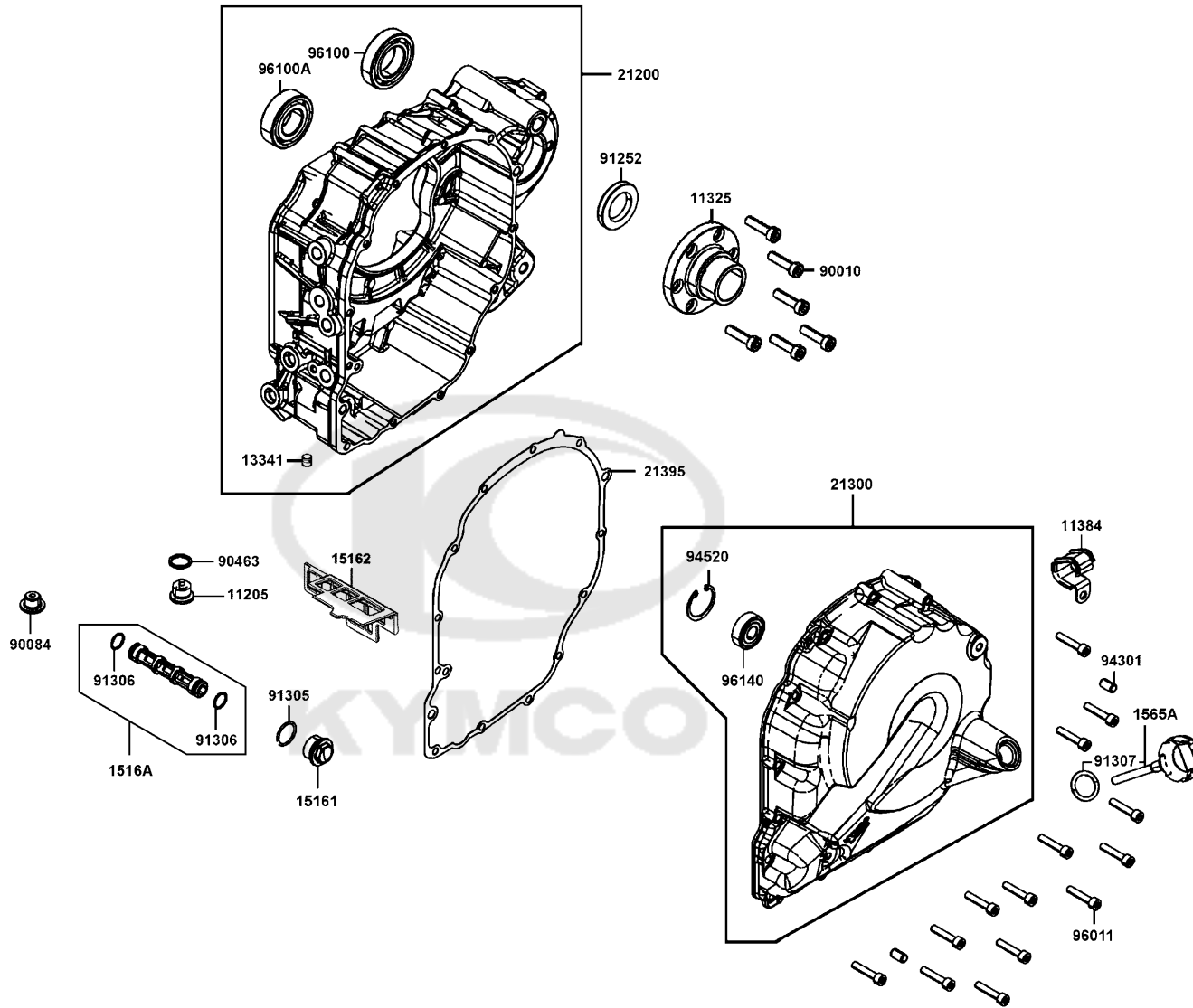


Sales mark	Ref no	Part no	Description	Reg description	Regd no	E08
94510		94510-10000	CIR CLIP EX 10	CIR CLIP EX 10	1	
96001		96001-06035-06	BOLT FLANGE SH 6*35	BOLT FLANGE SH 6*35	3	
96001A		96001-06040-06	BOLT FLANGE SH 6*40	BOLT FLANGE SH 6*40	3	
96220		96220-40158	NEEDLE PIN 4X15.8	NEEDLE PIN 4X15.8	1	
96600		96600-06015-10	SOCKET BOLT 6*15	SOCKET BOLT 6*15	6	
96600		96600-06015-10	SOCKET BOLT 6*15	SOCKET BOLT 6*15	6	

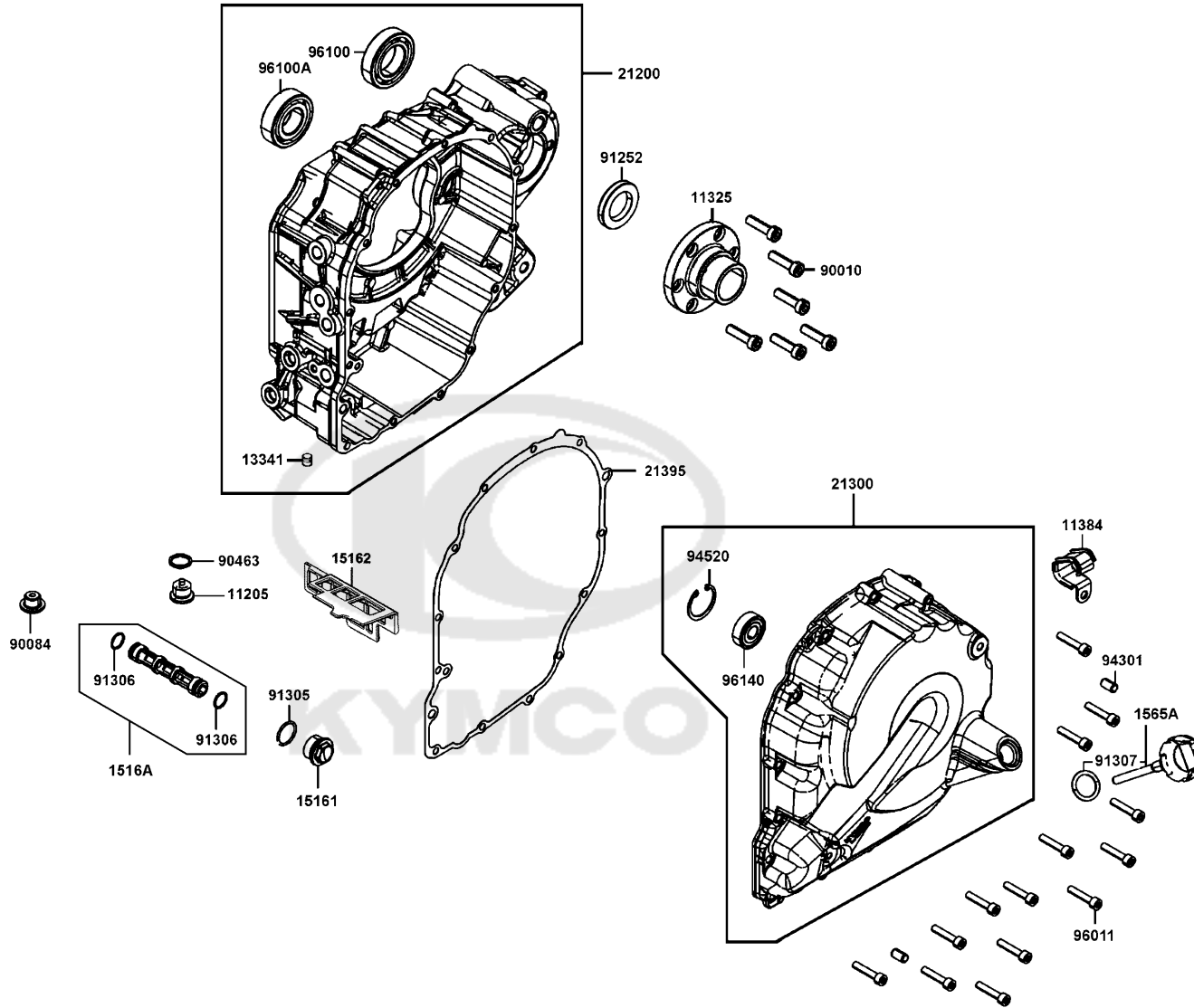




Sales mark	Ref no	Part no	Description	Reg description	Regd no	E09
1300A		1300A-LGC6-E00	CRANK SHAFT COMP	CRANK SHAFT COMP	1	
13314		13314-LGC6-E00-A	BEARING A CRANK SHAFT/YELLOW	BEARING A CRANK SHAFT/YELLOW	3	
13314		13314-LGC6-E00-B	BEARING A CRANK SHAFT/BLUE	BEARING A CRANK SHAFT/BLUE	3	
13314		13314-LGC6-E00-C	BEARING A CRANK SHAFT/RED	BEARING A CRANK SHAFT/RED	3	
13314		13314-LGC6-E00-D	BEARING A CRANK SHAFT/GREEN	BEARING A CRANK SHAFT/GREEN	3	
13314		13314-LGC6-E00-E	BEARING A CRANK SHAFT /BLACK	BEARING A CRANK SHAFT /BLACK	3	
13315		13315-LGC6-E00-A	BEARING B CRANK SHAFT/ YELLOW	BEARING B CRANK SHAFT/ YELLOW	3	
13315		13315-LGC6-E00-B	BEARING B CRANK SHAFT /BLUE	BEARING B CRANK SHAFT /BLUE	3	
13315		13315-LGC6-E00-C	BEARING B CRANK SHAFT/ RED	BEARING B CRANK SHAFT/ RED	3	
13315		13315-LGC6-E00-D	BEARING B CRANK SHAFT/GREEN	BEARING B CRANK SHAFT/GREEN	3	
13315		13315-LGC6-E00-E	BEARING B CRANK SHAFT /BLACK	BEARING B CRANK SHAFT /BLACK	3	
13323		13323-PRB9-E00-0A	BEARING SHELL BALANCER SHAFT	BEARING SHELL BALANCER SHAFT /BROWN	12	
13323		13323-PRB9-E00-0B	BEARING SHELL BALANCER SHAFT /	BEARING SHELL BALANCER SHAFT /	12	
1341A		1341A-LGC6-E00	SHAFT COMP BALANCER	SHAFT COMP BALANCER	1	
1342A		1342A-LGC6-E00	SHAFT COMP BALANCER	SHAFT COMP BALANCER	1	
90201		90201-KHR8-75A	NUT FLANGE 14*19*26	NUT FLANGE 14*19*26	1	
90401		90401-KKJ9-001	WASHER THRUST 14*28*2	WASHER THRUST 14*28*2	1	
91201		91201-LKF5-E00	OIL SEAL 38*50*7	OIL SEAL 38*50*7	1	



Sales mark	Ref no	Part no	Description	Reg description	Regd no	E10
	11205	11205-PSA6-E00	MAGNETIC SCREW M16*1.5 /B402	MAGNETIC SCREW M16*1.5 /B402	1	
	11325	11325-LGC6-E02	PIVOT L SWING ARM	PIVOT L SWING ARM	1	
	11384	11384-LGC6-E01	CLAMPER RR BRK HOSE	CLAMPER RR BRK HOSE	1	
	13341	13341-LGC6-E00	GRUB SCREW M6 X 7	GRUB SCREW M6 X 7	1	
	15161	15161-LGC6-E00	PLUG SCREW SECTION FILTER	PLUG SCREW SECTION FILTER	1	
	1516A	1516A-LGC6-E00	SUCTION FILTER ASSY CRANK SIDE	SUCTION FILTER ASSY CRANK SIDE	1	
	1565A	1565A-LGC6-E01	GUAGE OIL LEVEL ASSY	GUAGE OIL LEVEL ASSY	1	
	21200	21200-LGC6-306	CASE SET L MISSION	CASE SET L MISSION	1	
	21300	21300-LGC6-305	COVER SET MISSION	COVER SET MISSION	1	
	21395	21395-LGC6-E00	GASKET MISSION COVER	GASKET MISSION COVER	1	
	90010	90010-KKE5-E01	SPOCKET BOLT 8X30	SPOCKET BOLT 8X30	3	
	90084	90084-KKE5-E00	CAPE OIL CHANNEL	CAPE OIL CHANNEL	1	
	90463	90463-PUA5-E00	WASHER DIN 7603-A16*20-A1	WASHER DIN 7603-A16*20-A1	1	
	91252	91252-LGC6-E00	OIL SEAL 26.9X45X7	OIL SEAL 26.9X45X7	1	
	91305	91305-LEH6-E00	O RING 19.8x1.9	O RING 19.8x1.9	1	
	91306	91306-PUA5-E00	O-RING 13*1.5	O-RING 13*1.5	2	
	91307	91307-0E35-001	O RING 18*3	O RING 18*3	1	
	94301	94301-08140	DOWEL PIN 8*14	DOWEL PIN 8*14	2	
	94520	94520-32180	CIR CLIP IN 32	CIR CLIP IN 32	1	
	96011	96011-PRA1-E00	BOLT M6*30	BOLT M6*30	14	



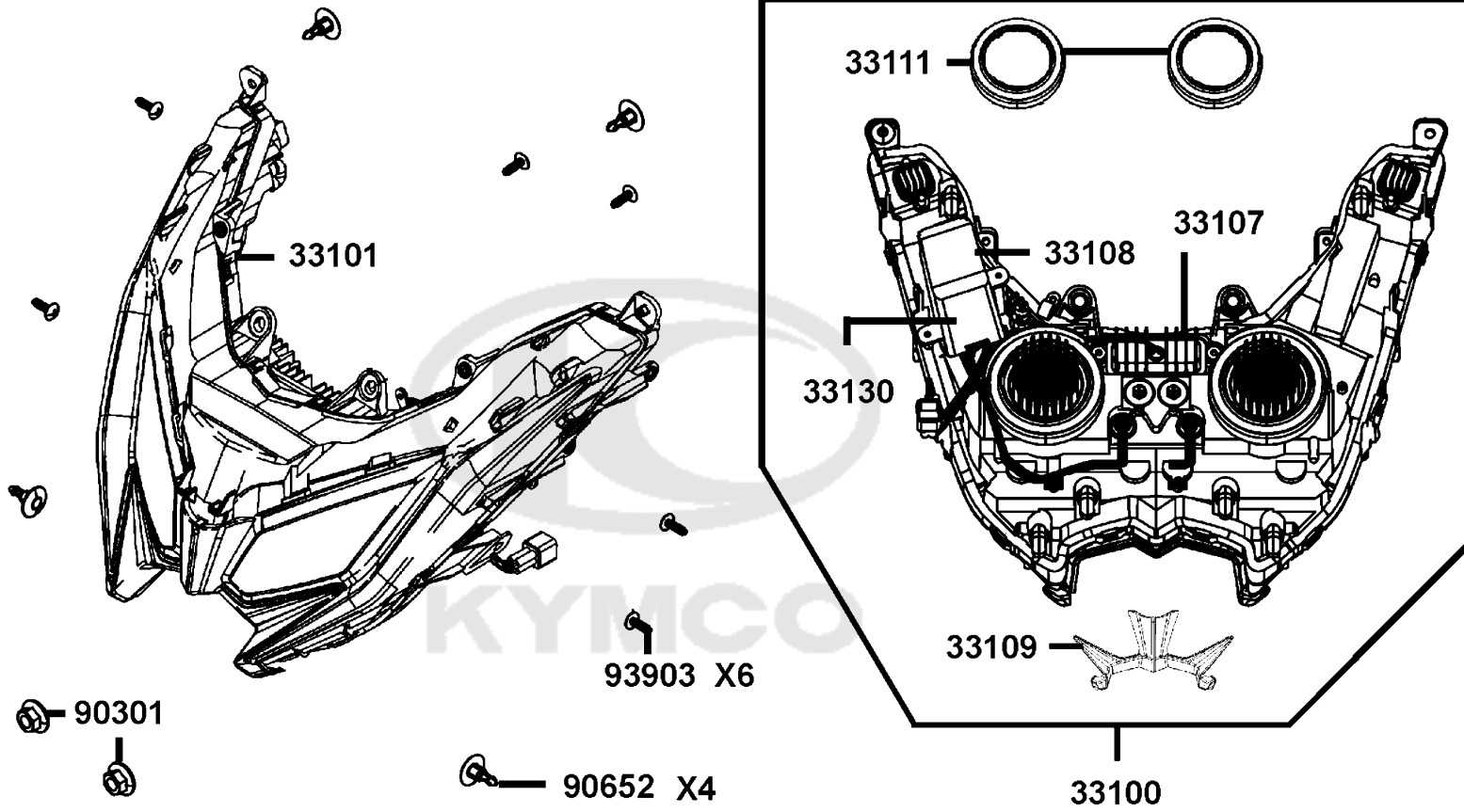
Sales mark	Ref no	Part no	Description	Reg description	Regd no	E10
------------	--------	---------	-------------	-----------------	---------	------------

96100		96100-60060-00	BEARING BALL RADIAL 6006	BEARING BALL RADIAL 6006	1	
96100A		96100-62050-00	BEARING BALL RADIAL 6205	BEARING BALL RADIAL 6205	1	
96140		96140-62010	BEARING BALL RADIAL 6201 LU	BEARING BALL RADIAL 6201 LU	1	



F01

Head Light

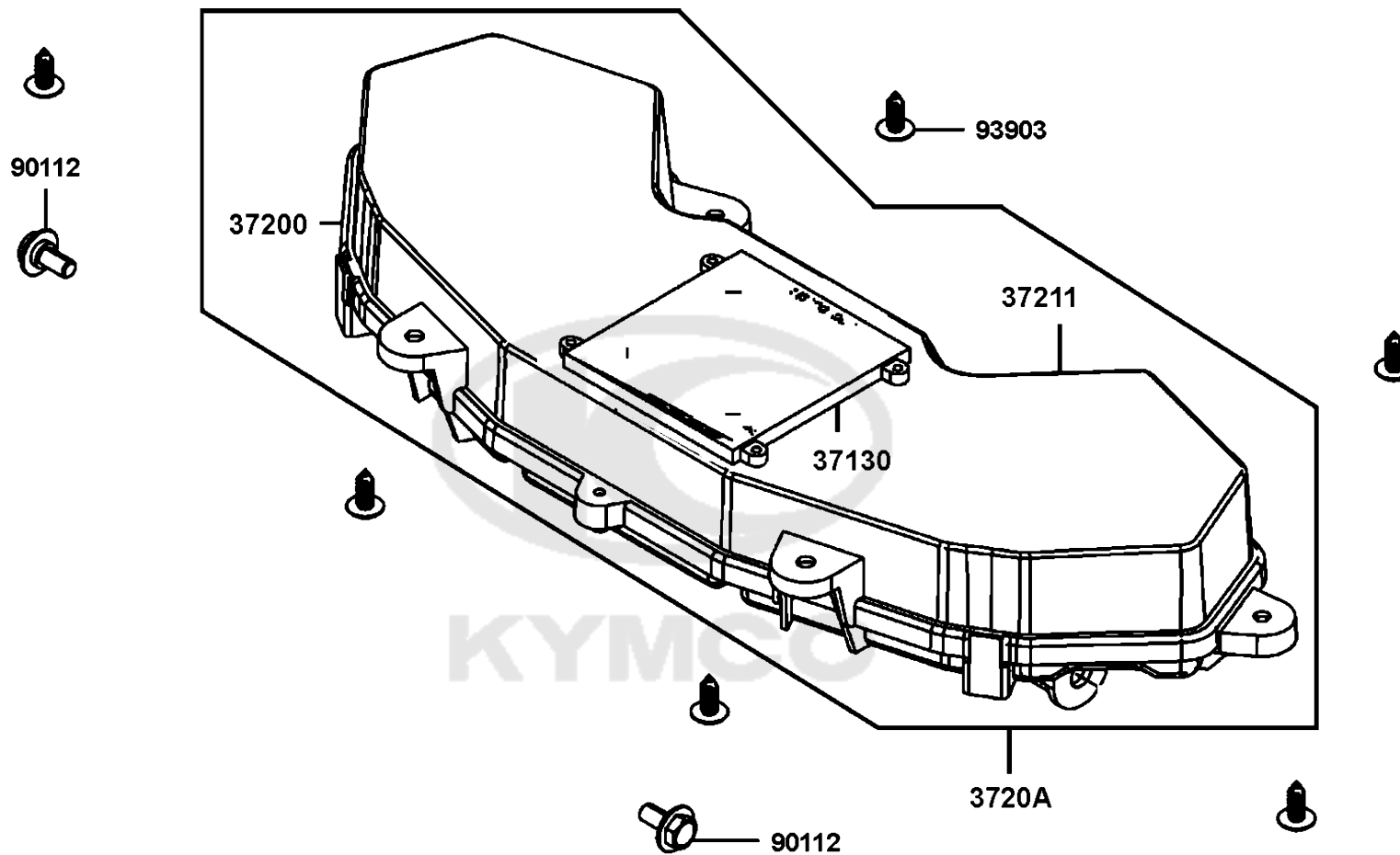


Sales mark	Ref no	Part no	Description	Reg description	Regd no	F01
**	33100	33100-LGC6-E00	LIGHT ASSY..HEAD	LIGHT ASSY..HEAD	1	
	33101	33101-LGC6-305	COMB HEAAD LIGHT	COMB HEAAD LIGHT	1	
	33107	33107-LGC6-E00	DRIVE PCB ASSY POSITION LIGHT	DRIVE PCB ASSY POSITION LIGHT	1	
	33108	33108-LGC6-E00	DRIVE PCB ASSY HEAD LIGHT	DRIVE PCB ASSY HEAD LIGHT	1	
**	33109	33109-LGC6-E00	OUTER RS HEAD LIGHT	OUTER RS HEAD LIGHT	1	
	33111	33111-LGC6-E00	COVER RUBBER	COVER RUBBER	2	
	33130	33130-LGC6-E00	SOCKET COMP HEAD LIGHT	SOCKET COMP HEAD LIGHT	1	
	90301	90301-6D34-671	NUT FLANGE 6MM	NUT FLANGE 6MM	2	
	90652	90652-LCA4-E00	CLIP MUDGUARD	CLIP MUDGUARD	4	
	93903	93903-35260	SCREW TAPPING 5*12	SCREW TAPPING 5*12	4	



F02

Speedometer

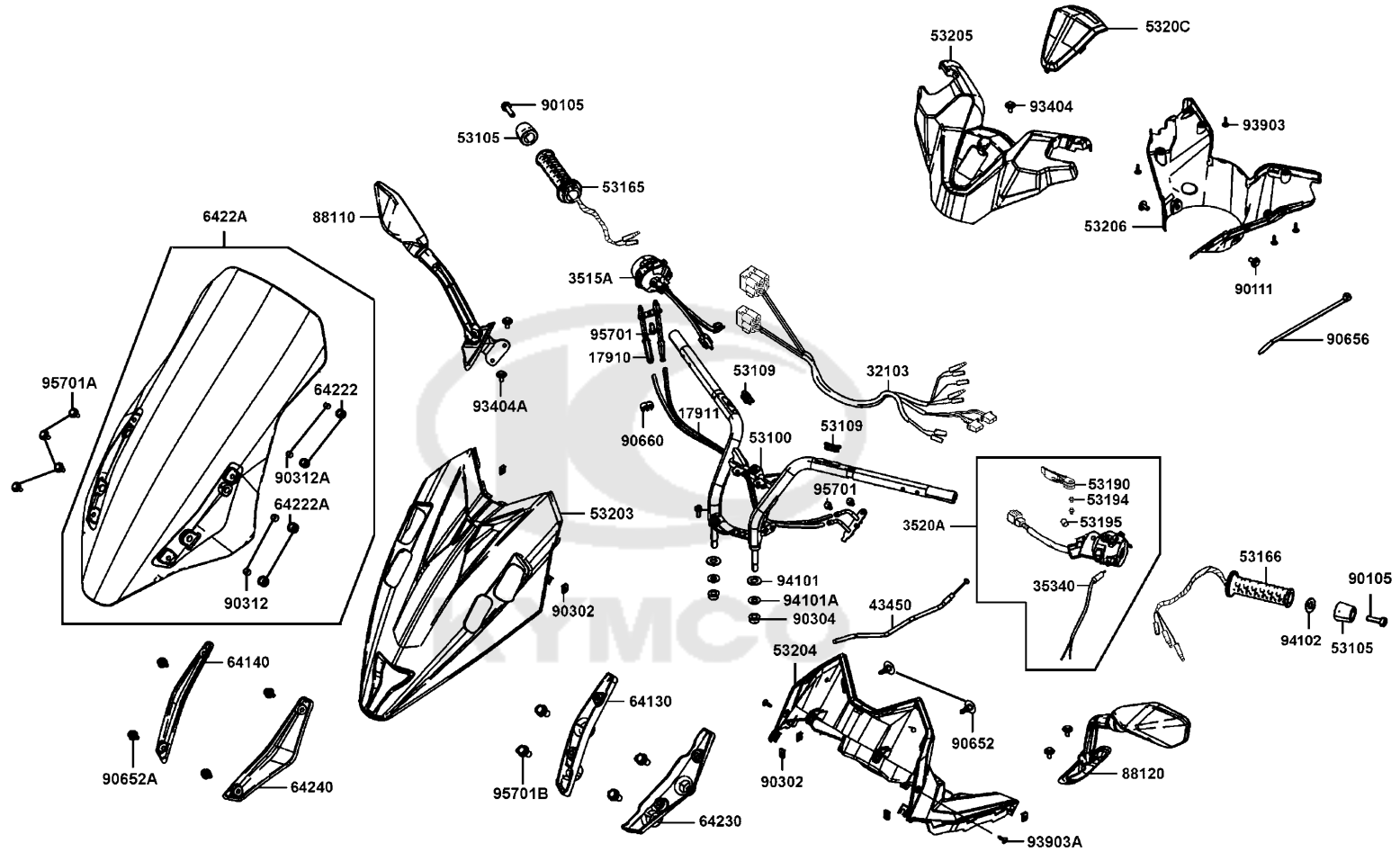


Sales mark	Ref no	Part no	Description	Reg description	Regd no	F02
37130		37130-LGC6-E01	COMP ASSY TFT&PCBA (noodoe)	COMP ASSY TFT&PCBA (noodoe)	1	
37200		37200-LGC6-305	METER COMP SPEED(W/O NOODOE)	METER COMP SPEED(W/O NOODOE)	1	
3720A		3720A-LGC6-EZ5	METER SET.SPEED	METER SET.SPEED	1	
37211		37211-LGC6-E00	LENS ASSY	LENS ASSY	1	
90112		90112-KNBN-901	BOLT FLANGE 6MM	BOLT FLANGE 6MM	2	
93903		93903-LHJ8-910	SCREW TAPPING 5*14	SCREW TAPPING 5*14	6	



F03

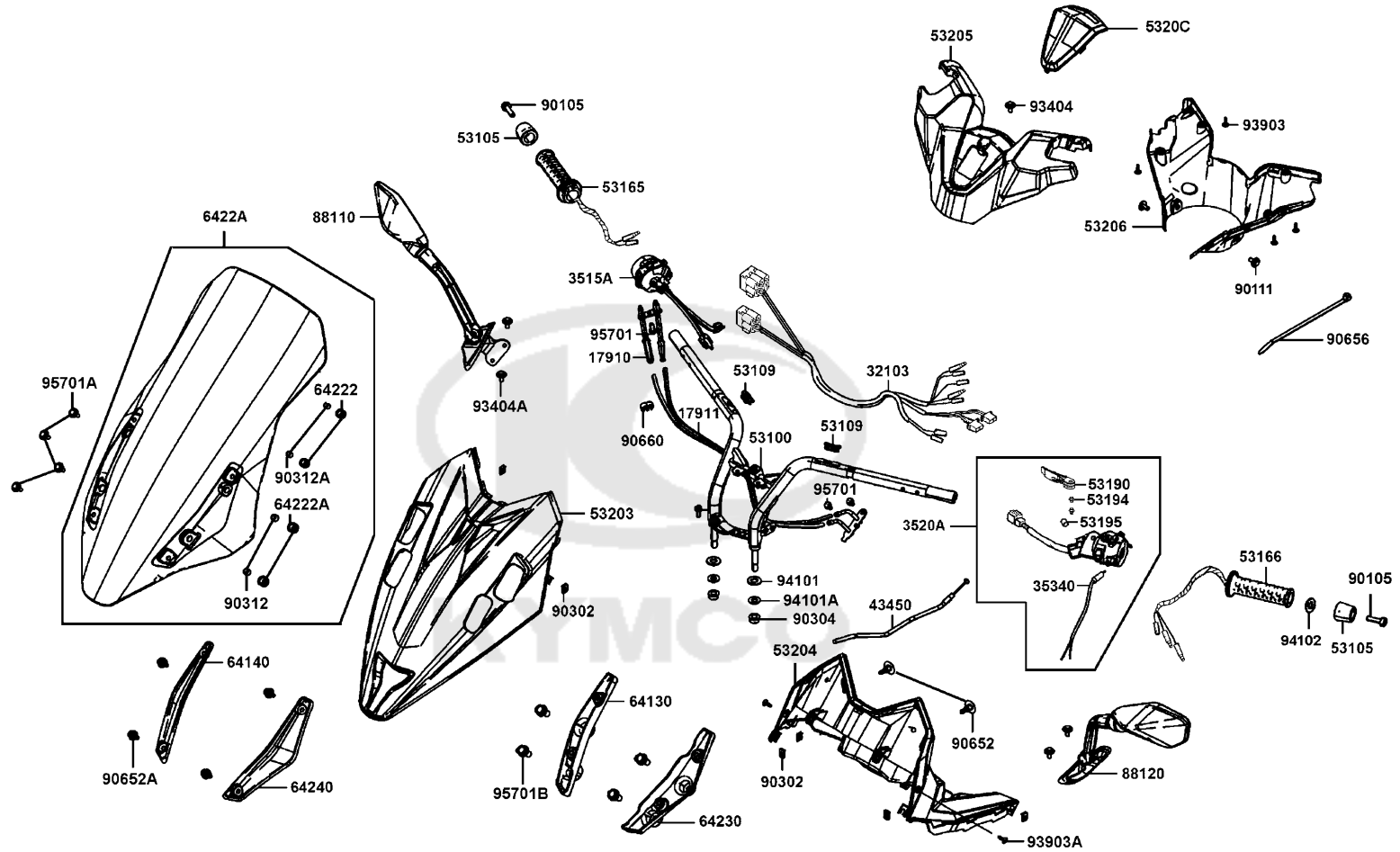
Handle SteeringHandle Cover



Sales mark	Ref no	Part no	Description	Reg description	Regd no	F03
	17910	17910-AKB8-E00	CABLE COMP THROT	CABLE COMP THROT	1	
	17911	17911-AKB8-E00	CABLE B COMP THROT	CABLE B COMP THROT	1	
	32103	32103-LGC6-E02	SUB HARNESS HANDLE	SUB HARNESS HANDLE	1	
	3515A	3515A-LGC6-E00	SW. ASSY.. RH. HANDLE COMP.	SW. ASSY.. RH. HANDLE COMP.	1	
	3520A	3520A-LGC6-EZ5	SW. ASSY LH. HANDLE COMP	SW. ASSY LH. HANDLE COMP	1	
	35340	35340-KFLF-900	SW ASSY FR STOP	SW ASSY FR STOP	1	
	43450	43450-LGC6-E00	CABLE COMP PARKING	CABLE COMP PARKING	1	
	53100	53100-LGC6-E00	HANDLE COMP STRG	HANDLE COMP STRG	1	
	53105	53105-LGC6-E00	END HANDLE	END HANDLE	2	
	53109	53109-LGC6-E00	GROMMET HANDLE BAR	GROMMET HANDLE BAR	2	
	53165	53165-LGC6-E01	GRIP R HANDLE HEATED	GRIP R HANDLE HEATED	1	
	53166	53166-LGC6-E01	GRIP L HANDLE HEATED	GRIP L HANDLE HEATED	1	
	53190	53190-LGC6-E00	LEVER PARKING BRAKE	LEVER PARKING BRAKE	1	
	53194	53194-LGC6-E00	PIVOT BOSS	PIVOT BOSS	2	
	53195	53195-LGC6-E00	STOPPER RUBBER	STOPPER RUBBER	1	
**	53203	53203-LGC6-E00	COVER FR MERTER	COVER FR MERTER	1	
**	53204	53204-LGC6-E00	COVER METER	COVER METER	1	
**	53205	53205-LGC6-E00	COVER HANDLE UP	COVER HANDLE UP	1	
**	53206	53206-LGC6-E00	COVER HANDLE LOW	COVER HANDLE LOW	1	
**	5320C	5320C-LGC6-E00	TOP COVER ASSY.HANDLE COVER	TOP COVER ASSY.HANDLE COVER	1	

F03

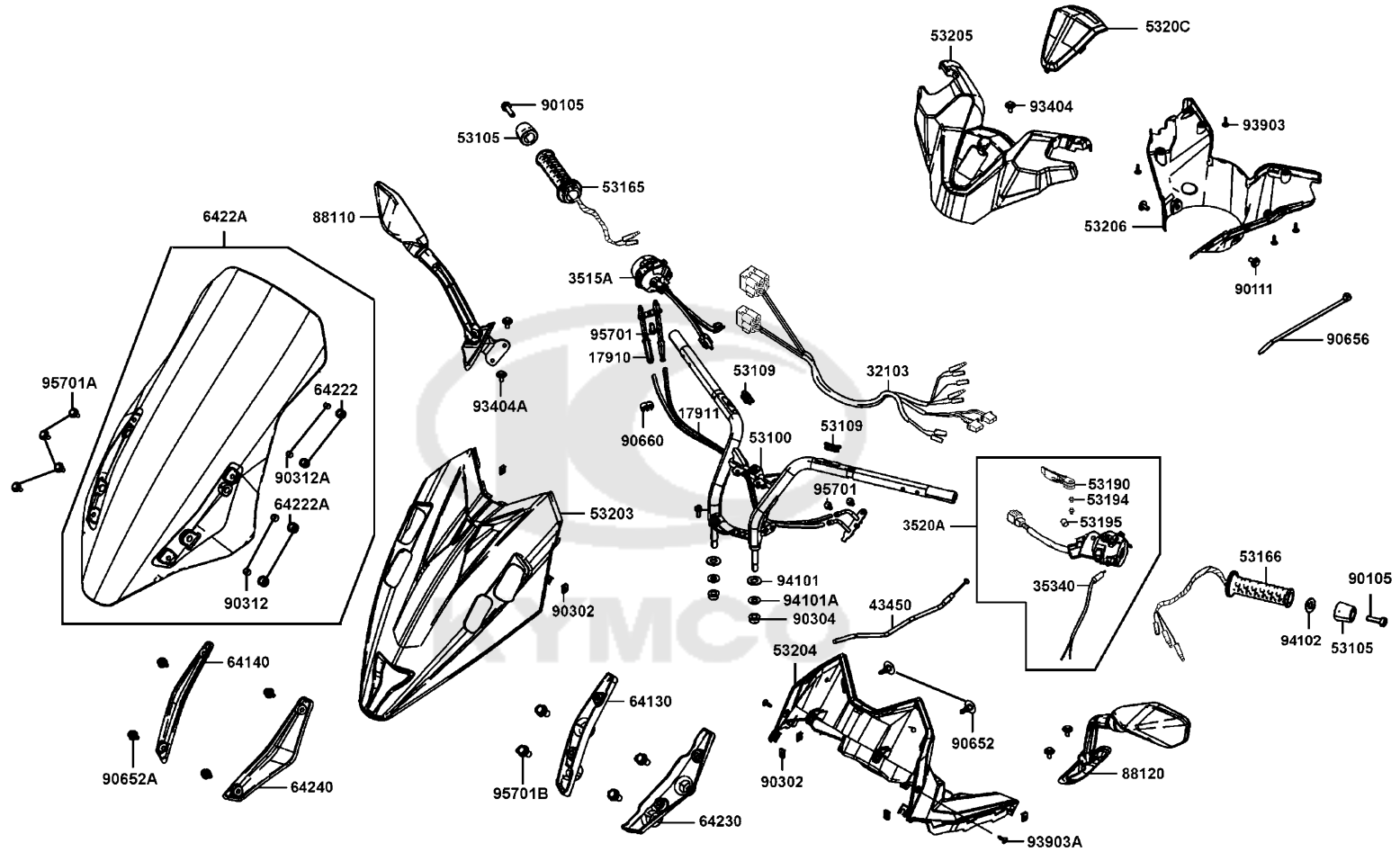
Handle SteeringHandle Cover



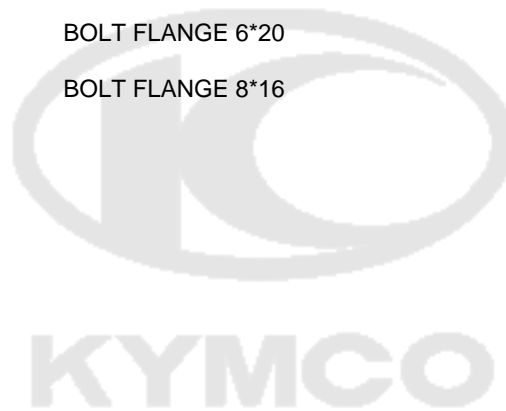
Sales mark	Ref no	Part no	Description	Reg description	Regd no	F03
**	64130	64130-LGC6-E00	HOLDER ASSY R WIND SCREEN	HOLDER ASSY R WIND SCREEN	1	
**	64140	64140-LGC6-E00	COVERR WIND SCREEN	COVERR WIND SCREEN	1	
	64222	64222-KKC4-900	RUBBER WIND SCREEN	RUBBER WIND SCREEN	2	
	64222A	64222-LLJ3-E00	RUBBER WIND SCREEN	RUBBER WIND SCREEN	2	
**	6422A	6422A-LGC6-E00	WIND SCRRN ASSY.	WIND SCRRN ASSY.	1	
**	64230	64230-LGC6-E00	HOLDER ASSY L WIND SCREEN	HOLDER ASSY L WIND SCREEN	1	
**	64240	64240-LGC6-E00	COVER L WIND SCREEN	COVER L WIND SCREEN	1	
	88110	88110-LGC6-E00	MIRROR ASSY.R BACK	MIRROR ASSY.R BACK	1	
	88120	88120-LGC6-E00	MIRROR ASSY.L BACK	MIRROR ASSY.L BACK	1	
	90105	90105-KFC2-900	BOLT WASH 8MM	BOLT WASH 8MM	2	
	90111	90111-LGC6-E01	SCREW PAN 6X14	SCREW PAN 6X14	2	
	90302	90302-SDA4-004	NUT SPRING 4MM	NUT SPRING 4MM	6	
	90304	90304-LEA1-900	NUT U 10MM	NUT U 10MM	2	
	90312	90312-GLF0-001	COLLAR BODY COVER	COLLAR BODY COVER	2	
	90312A	90312-LLJ3-E00	COLLAR WIND SCREEN	COLLAR WIND SCREEN	2	
	90652	90652-LCA4-E00	CLIP MUDGUARD	CLIP MUDGUARD	2	
	90652A	90652-LGC6-E00	PUSH RIVET	PUSH RIVET	4	
	90656	90656-KCBC-900	BAND OIL HANDLE 8*146	BAND OIL HANDLE 8*146	2	
	90660	90660-PWA2-900	CLAMP TUBE	CLAMP TUBE	2	
	93404	93404-06012-06	BOLT WASHER 6X12	BOLT WASHER 6X12	1	

F03

Handle SteeringHandle Cover

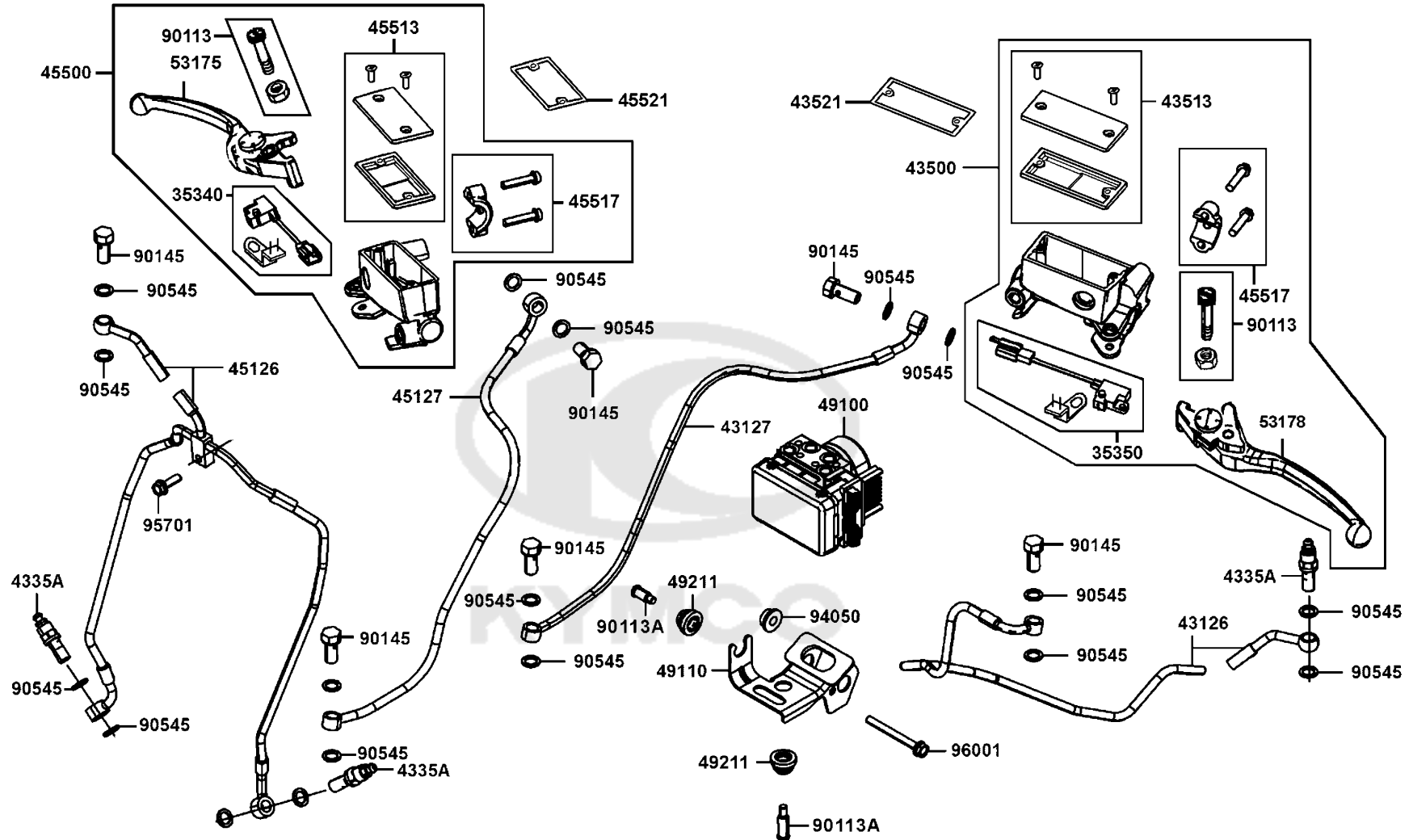


Sales mark	Ref no	Part no	Description	Reg description	Regd no	F03
93404A		93404-06016-06	BOLT WASHER 6*16	BOLT WASHER 6*16	4	
93903		93903-24360	SCREW TAPPING 4*12	SCREW TAPPING 4*12	4	
93903A		93903-LGC6-E01	SCREW TAPPING	SCREW TAPPING	2	
94101		94101-10000	WASHER PLAIN 10MM	WASHER PLAIN 10MM	2	
94101A		94101-12000	WASHER PLAIN 12 MM	WASHER PLAIN 12 MM	2	
94102		94102-08000	WASHER PLAIN 8MM	WASHER PLAIN 8MM	1	
95701		95701-06012-06	BOLT FLANGE 6*12	BOLT FLANGE 6*12	3	
95701A		95701-06020-06	BOLT FLANGE 6*20	BOLT FLANGE 6*20	4	
95701B		95701-08016-06	BOLT FLANGE 8*16	BOLT FLANGE 8*16	4	



F04

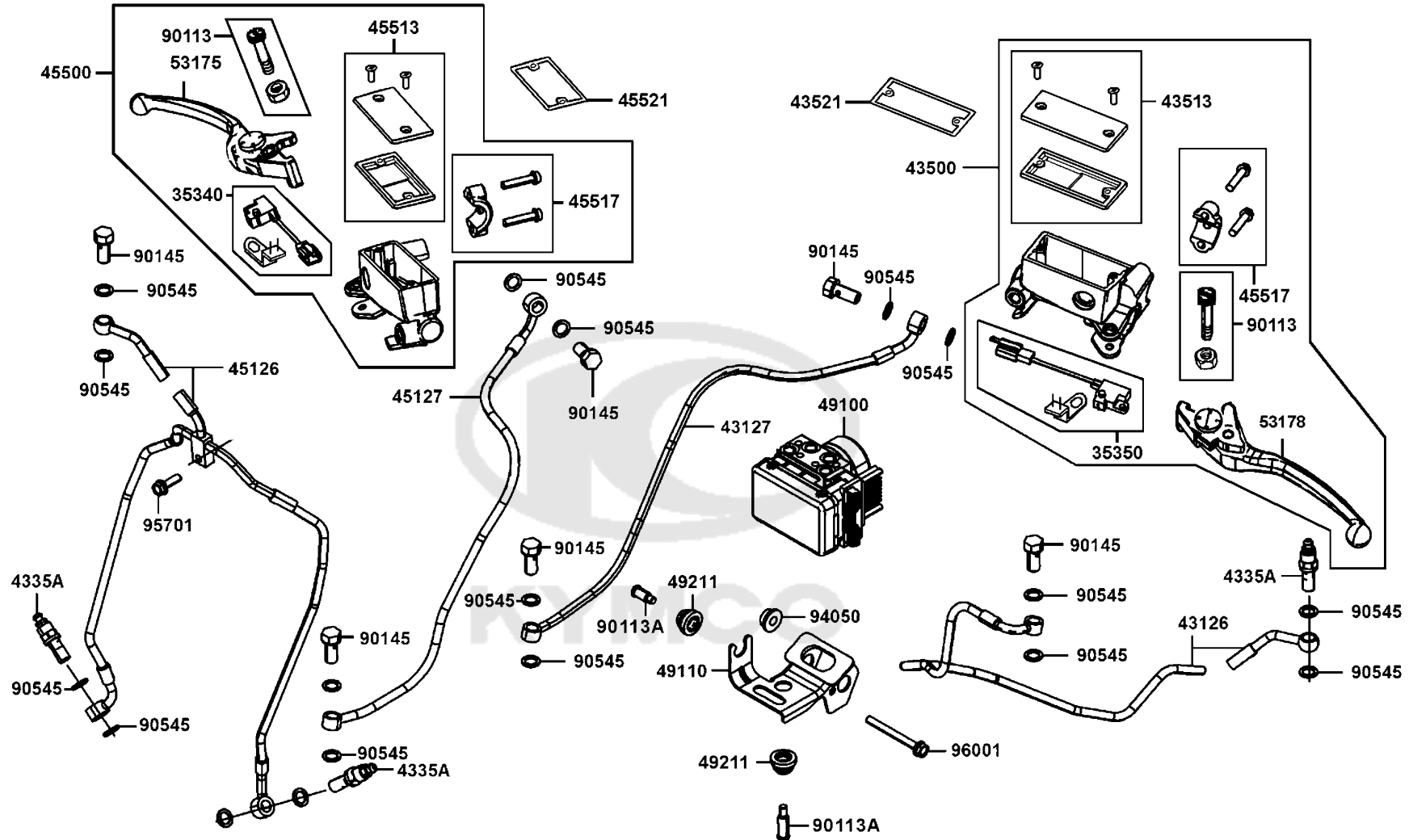
Brake Master Cylinder



Sales mark	Ref no	Part no	Description	Reg description	Regd no	F04
	35340	35340-LGC6-E00	SW ASSY FR STOP	SW ASSY FR STOP	1	
	35350	35350-LGC6-E00	SW ASSY RR STOP	SW ASSY RR STOP	1	
	43126	43126-LGC6-E00	HOSE COMP A RR BRAKE	HOSE COMP A RR BRAKE	1	
	43127	43127-LGC6-E00	HOSE COMP B RR BRAKE	HOSE COMP B RR BRAKE	1	
	4335A	4335A-LGC6-E00	BLEEDER ASSY	BLEEDER ASSY	1	
	43500	43500-LGC6-E00	M/C ASSY RR	M/C ASSY RR	1	
	43513	43513-LGC6-E00	CAP L M/C	CAP L M/C	1	
	43521	43521-LGC6-E00	PLATE DIAPHRAGM	PLATE DIAPHRAGM	1	
	45126	45126-LGC6-E00	HOSE COMP A FR BRAKE	HOSE COMP A FR BRAKE	1	
	45127	45127-LGC6-E00	HOSE COMP B FR BRAKE	HOSE COMP B FR BRAKE	1	
	45500	45500-LGC6-E00	M/C ASSY FR	M/C ASSY FR	1	
	45513	45513-LGC6-E00	CAP R M/C	CAP R M/C	1	
	45517	45517-LGC6-E00	HOLDER M/C	HOLDER M/C	1	
	45521	45521-LGC6-E00	PLATE DIAPHRAGM	PLATE DIAPHRAGM	1	
	49100	49100-LGC6-E00	MODULATOR ASSY ABS	MODULATOR ASSY ABS	1	
	49110	49110-LGC6-E00	STAY ABS	STAY ABS	1	
	49211	49211-LFH1-E00	RUBBER BUSH	RUBBER BUSH	2	
	53175	53175-LGC6-E00	LEVER R STRG HNDL	LEVER R STRG HNDL	1	
	53178	53178-LGC6-E00	LEVER L STRG HNDL	LEVER L STRG HNDL	1	
	90113	90113-LGC6-E00	LEVER PIN	LEVER PIN	2	

F04

Brake Master Cylinder

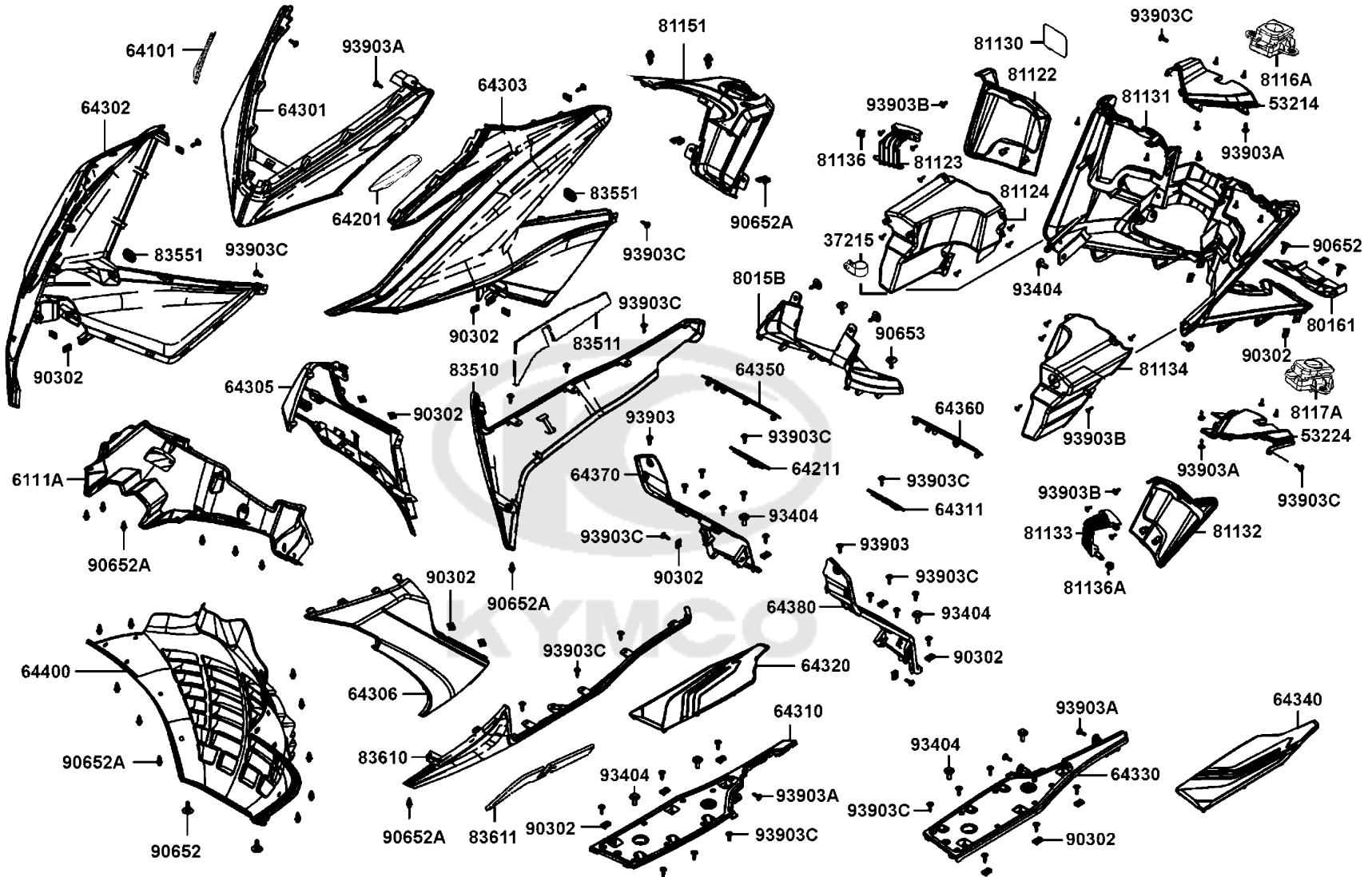


Sales mark	Ref no	Part no	Description	Reg description	Regd no	F04
90113A	90113-LGE5-E01	90113-LGE5-E01	BOLT FLANGE 6X20 ABS	BOLT FLANGE 6X20 ABS	2	
90145	90145-LFH1-E00	90145-LFH1-E00	OIL BOLT 10X22	OIL BOLT 10X22	6	
90545	90545-3L00-001	90545-3L00-001	WASHER OIL BOLT 10.2*15*1.4	WASHER OIL BOLT 10.2*15*1.4	18	
94050	94050-06060	94050-06060	NUT FLANGE 6MM	NUT FLANGE 6MM	1	
95701	95701-06020-06	95701-06020-06	BOLT FLANGE 6*20	BOLT FLANGE 6*20	1	
96001	96001-06060-06	96001-06060-06	BOLT FLANE 6*60	BOLT FLANE 6*60	1	



F05

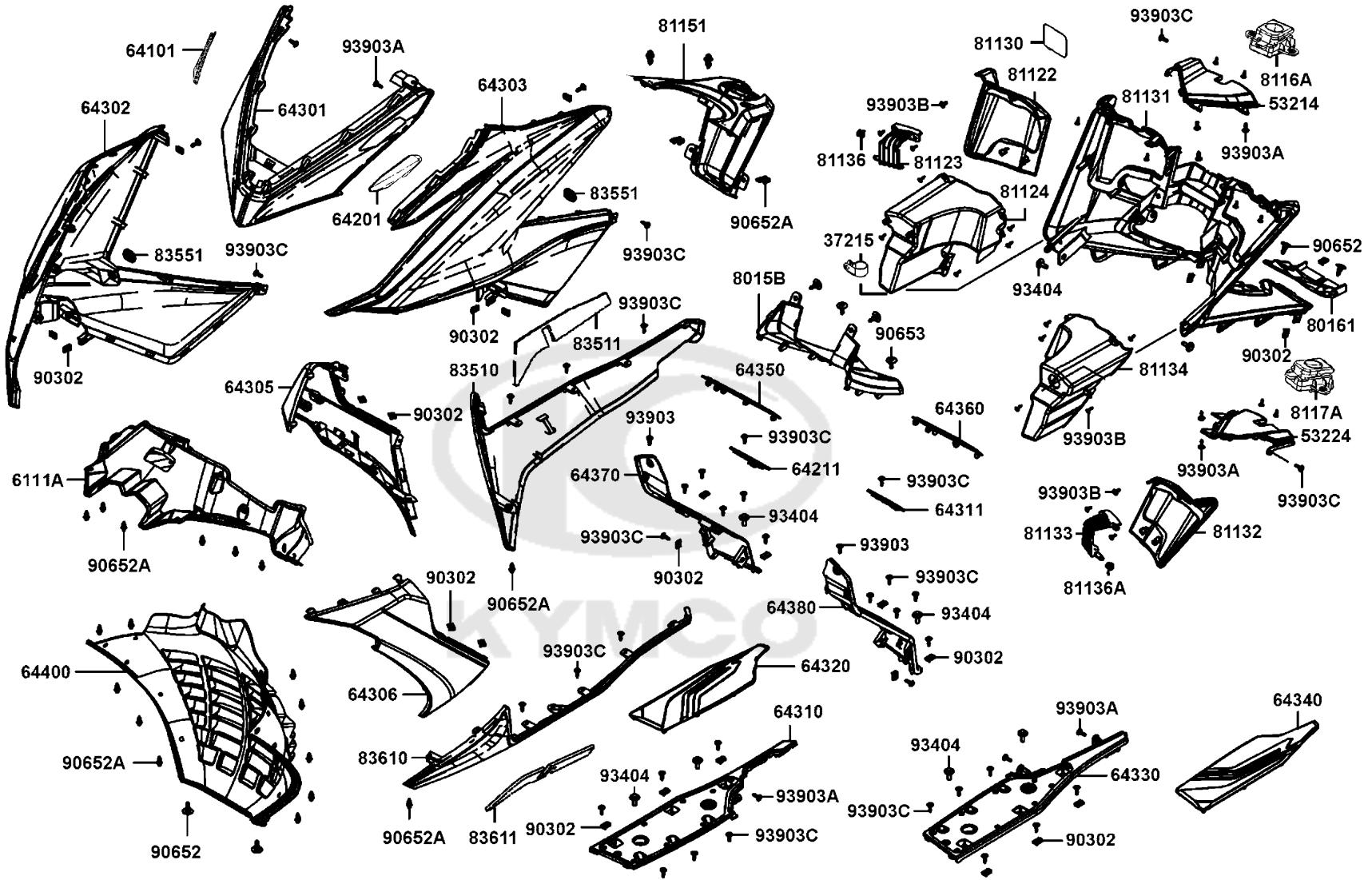
Front CoverFloor Panel



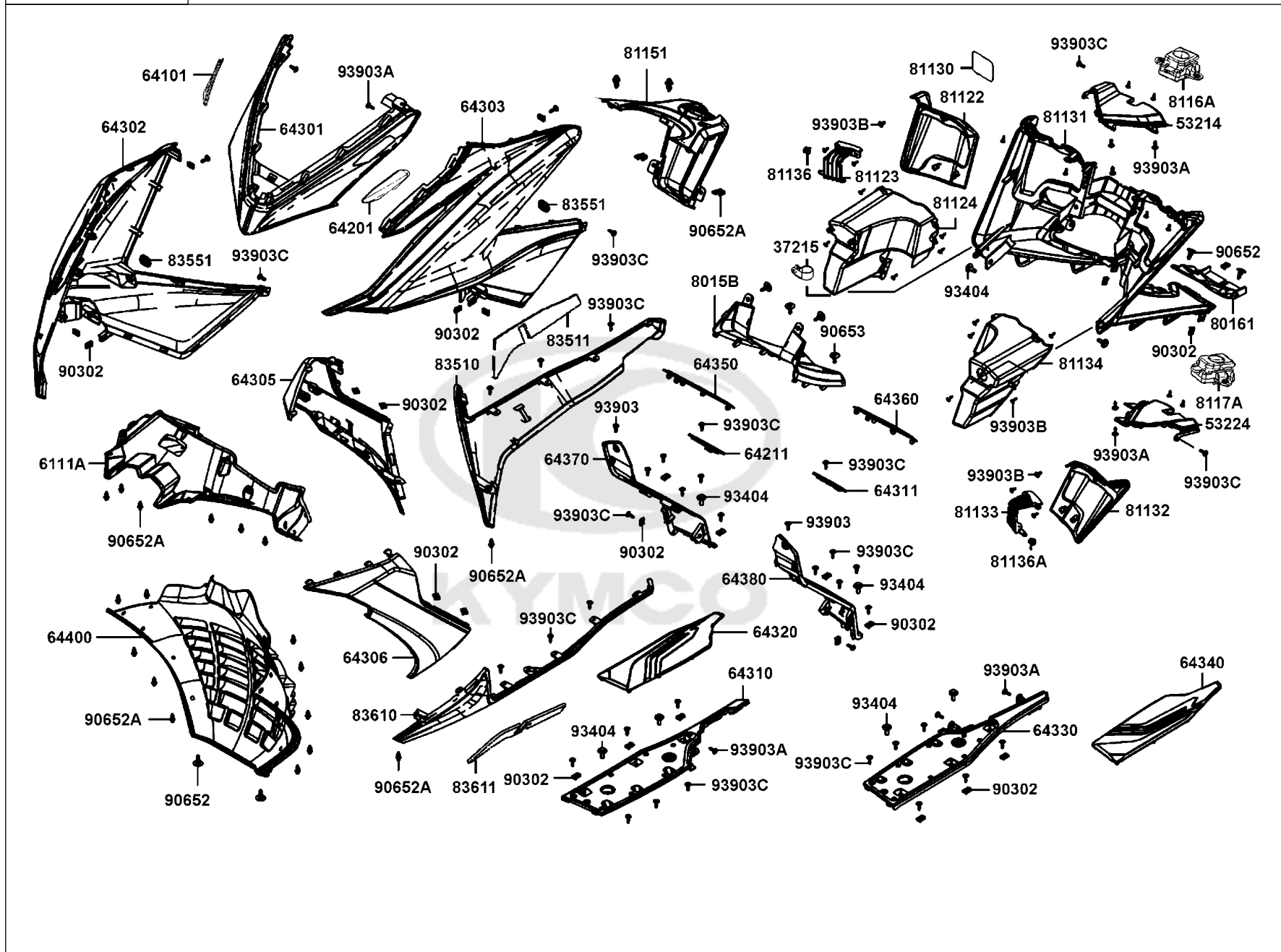
Sales mark	Ref no	Part no	Description	Reg description	Regd no	F05
	37215	37215-LHJ3-900	CLAMPER	CLAMPER	1	
	53214	53214-LGC6-E00	LEG SHIELD UP R SIDE	LEG SHIELD UP R SIDE	1	
	53224	53224-LGC6-E00	LEG SHIELD UP L SIDE	LEG SHIELD UP L SIDE	1	
**	6111A	6111A-LGC6-E00	FENDER ASSY FRONT INNER	FENDER ASSY FRONT INNER	1	
	64101	64101-LGC6-E00	RUBBER R FR COVER	RUBBER R FR COVER	1	
	64201	64201-LGC6-E00	RUBBER L FR COVER	RUBBER L FR COVER	1	
**	64211	64211-LGC6-E00	LID OBD COUPLER	LID OBD COUPLER	1	
**	64301	64301-LGC6-E00	COVER FRONT	COVER FRONT	1	
**	64302	64302-LGC6-E00	MOLDING A R SIDE	MOLDING A R SIDE	1	
**	64303	64303-LGC6-E00	MOLDING A L SIDE	MOLDING A L SIDE	1	
**	64305	64305-LGC6-E00	SKIRT R SIDE	SKIRT R SIDE	1	
**	64306	64306-LGC6-E00	SKIRT L SIDE	SKIRT L SIDE	1	
**	64310	64310-LGC6-E00	PANEL A R FLOOR	PANEL A R FLOOR	1	
**	64311	64311-LGC6-E00	LID RESERVE TANK	LID RESERVE TANK	1	
**	64320	64320-LGC6-E00	MAT R FLOOR	MAT R FLOOR	1	
**	64330	64330-LGC6-E00	PANEL A L FLOOR	PANEL A L FLOOR	1	
**	64340	64340-LGC6-E00	MAT L FLOOR	MAT L FLOOR	1	
**	64350	64350-LGC6-E00	MAT R LEG SHIELD	MAT R LEG SHIELD	1	
**	64360	64360-LGC6-E00	MAT L LEG SHIELD	MAT L LEG SHIELD	1	
**	64370	64370-LGC6-E00	PANEL B R FLOOR	PANEL B R FLOOR	1	

F05

Front CoverFloor Panel



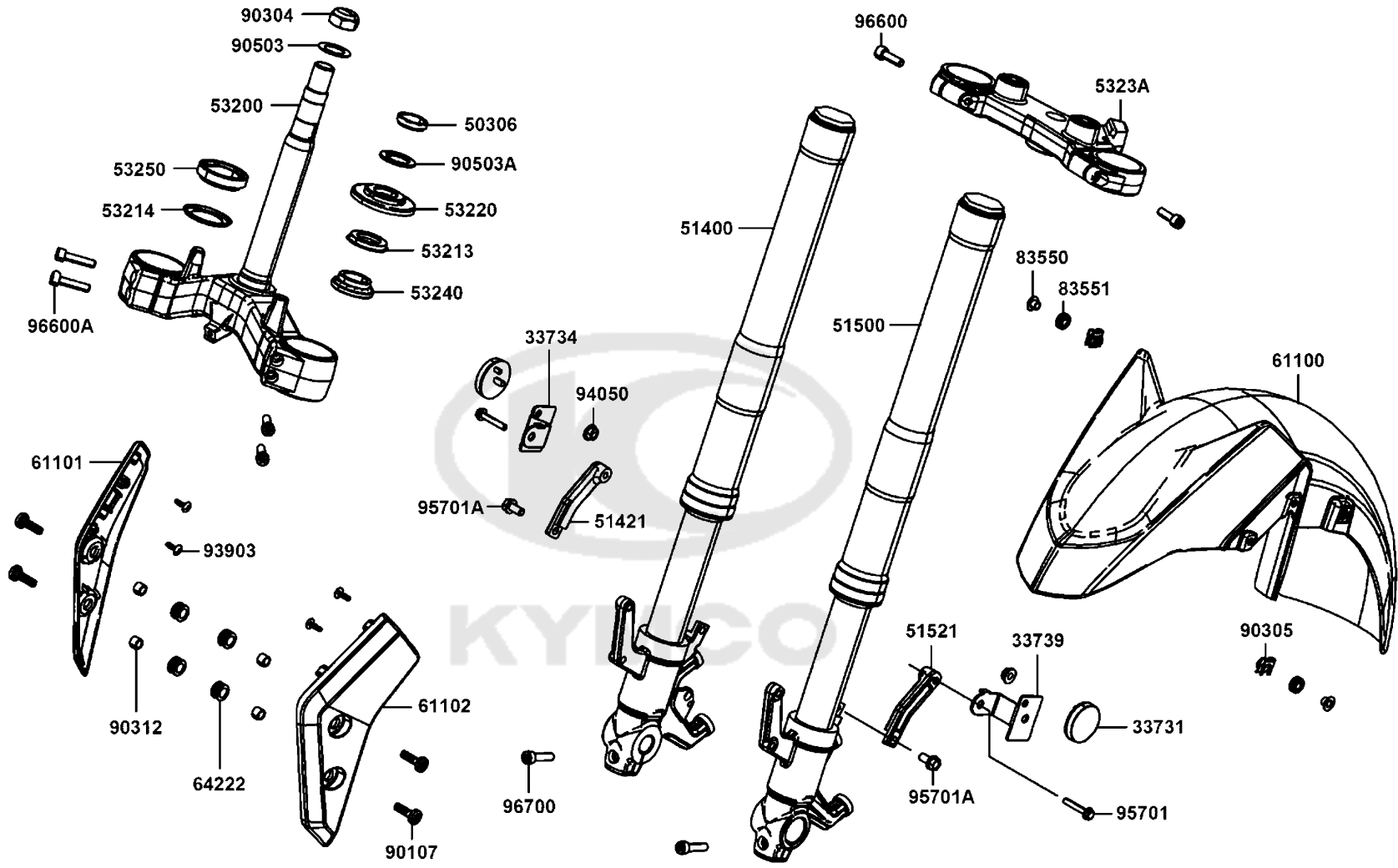
Sales mark	Ref no	Part no	Description	Reg description	Regd no	F05
**	64380	64380-LGC6-E00	PANEL B L FLOOR	PANEL B L FLOOR	1	
**	64400	64400-LGC6-E00	COWL UNDER	COWL UNDER	1	
**	8015B	8015B-LGC6-E00	COVER ASSY. CENTER	COVER ASSY. CENTER	1	
	80161	80161-LGC6-E00	LID LEG SHIELD	LID LEG SHIELD	1	
	81122	81122-LGC6-E00	LID R FR INNER BOX	LID R FR INNER BOX	1	
	81123	81123-LGC6-E00	HINGE R FR INNER BOX	HINGE R FR INNER BOX	1	
	81124	81124-LGC6-E00	BOX R FR INNER BOX	BOX R FR INNER BOX	1	
	81130	81130-LGC6-E00	SEAL FR INNER BOX	SEAL FR INNER BOX	1	
	81131	81131-LGC6-E00	LEG SHIELD	LEG SHIELD	1	
	81132	81132-LGC6-E00	LID L FR INNER BOX	LID L FR INNER BOX	1	
	81133	81133-LGC6-E00	HINGE L FR INNER BOX	HINGE L FR INNER BOX	1	
	81134	81134-LGC6-E00	BOX L FR INNER BOX	BOX L FR INNER BOX	1	
	81136	81136-ACD5-E00	SPRING FR INNER BOX / R	SPRING FR INNER BOX / R	1	
	81136A	81136-LEA7-E00	SPRING FR INNER BOX L	SPRING FR INNER BOX L	1	
**	81151	81151-LGC6-E00	COVER KEY	COVER KEY	1	
	8116A	8116A-LGC6-E00	LOCK ASSY. R FR BOX	LOCK ASSY. R FR BOX	1	
	8117A	8117A-LGC6-E00	LOCK ASSY L FR BOX	LOCK ASSY L FR BOX	1	
**	83510	83510-LGC6-E00	COVER R SIDE	COVER R SIDE	1	
	83511	83511-LGC6-E00	SPONGE R SIDE COVER	SPONGE R SIDE COVER	1	
	83551	83551-LGC6-E00	GROMMER COVER	GROMMER COVER	2	



Sales mark	Ref no	Part no	Description	Reg description	Regd no	F05
**	83610	83610-LGC6-E00	COVER L SIDE	COVER L SIDE	1	
	83611	83611-LGC6-E00	SPONGE L SIDE COVER	SPONGE L SIDE COVER	1	
	90302	90302-SDA4-004	NUT SPRING 4MM	NUT SPRING 4MM	24	
	90652	90652-LCA4-E00	CLIP MUDGUARD	CLIP MUDGUARD	6	
	90652A	90652-LFB5-900	CLIP MUDGUARD	CLIP MUDGUARD	22	
	90653	90653-LGC6-E00	CLIP MUDGUARD	CLIP MUDGUARD	4	
	93404	93404-06012-06	BOLT WASHER 6X12	BOLT WASHER 6X12	8	
	93903	93903-14460	SCREW TAPPING 4*16	SCREW TAPPING 4*16	2	
	93903A	93903-24360	SCREW TAPPING 4*12	SCREW TAPPING 4*12	5	
	93903B	93903-34360	SCREW TAPPING 4*12	SCREW TAPPING 4*12	22	
	93903C	93903-GFY6-900	SCREW TAPPING 4*14	SCREW TAPPING 4*14	38	

F06

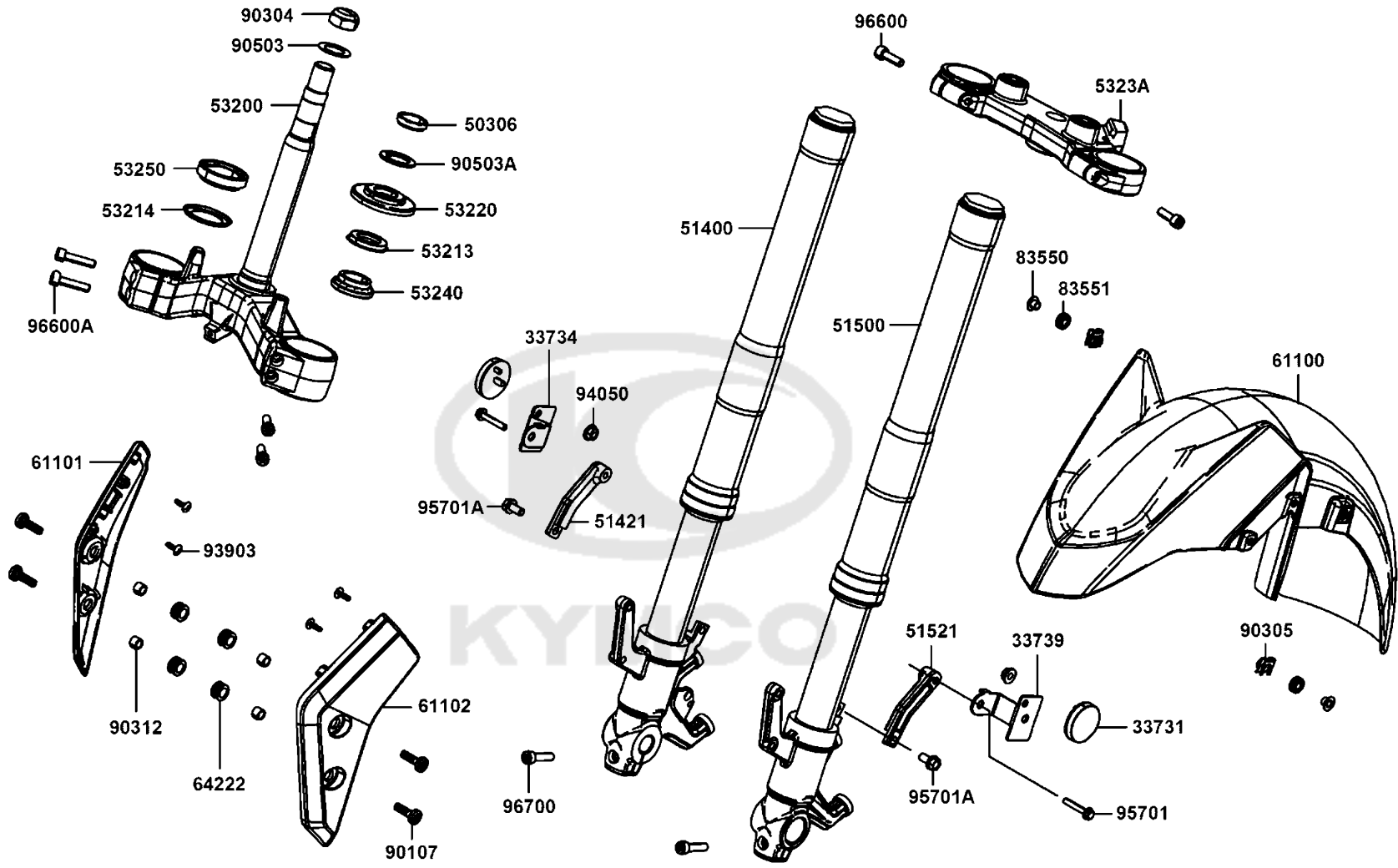
Front Cushion



Sales mark	Ref no	Part no	Description	Reg description	Regd no	F06
	33731	33731-LHJ8-900	REFLEX REFLECTOR. SIDE	REFLEX REFLECTOR. SIDE	2	
	33734	33734-LGC6-E00	STAY RH REFLEX REFLECTOR	STAY RH REFLEX REFLECTOR	1	
	33739	33739-LGC6-E00	STAY LH REFLEX REFLECTOR	STAY LH REFLEX REFLECTOR	1	
	50306	50306-1F96-001	NUT STRG STEM LOCK	NUT STRG STEM LOCK	1	
**	51400	51400-LGC6-E00	FORK ASSY FR R	FORK ASSY FR R	1	
**	51421	51421-LGC6-E00	STAY FR FENDER R	STAY FR FENDER R	1	
**	51500	51500-LGC6-E00	FORK ASSY FR L	FORK ASSY FR L	1	
**	51521	51521-LGC6-E00	STAY FR FENDER L	STAY FR FENDER L	1	
	53200	53200-LGC6-E00	STEM COMP STRG	STEM COMP STRG	1	
	53213	53213-LBA2-E00	DUST SEAL STRG HEAD TOP	DUST SEAL STRG HEAD TOP	1	
	53214	53214-LBA2-E00	DUST SEAL STRG HEAD BOT	DUST SEAL STRG HEAD BOT	1	
	53220	53220-LGC6-E00	THREAD COMP. STRG HEAD TOP	THREAD COMP. STRG HEAD TOP	1	
	5323A	5323A-LGC6-E00	BRIDGE ASSY FR FORK	BRIDGE ASSY FR FORK	1	
	53240	53240-LEA7-90A	BEARING TOP STRG	BEARING TOP STRG	1	
	53250	53250-LEA7-90A	BEARING BOT STRG	BEARING BOT STRG	1	
**	61100	61100-LGC6-E00	FENDER A FRONT	FENDER A FRONT	1	
**	61101	61101-LGC6-E00	FENDER COVER R SIDE	FENDER COVER R SIDE	1	
**	61102	61102-LGC6-E00	FENDER COVER L SIDE	FENDER COVER L SIDE	1	
	64222	64222-LLJ3-E00	RUBBER WIND SCREEN	RUBBER WIND SCREEN	4	
	83550	83550-KEC8-900	COLLAR	COLLAR	2	

F06

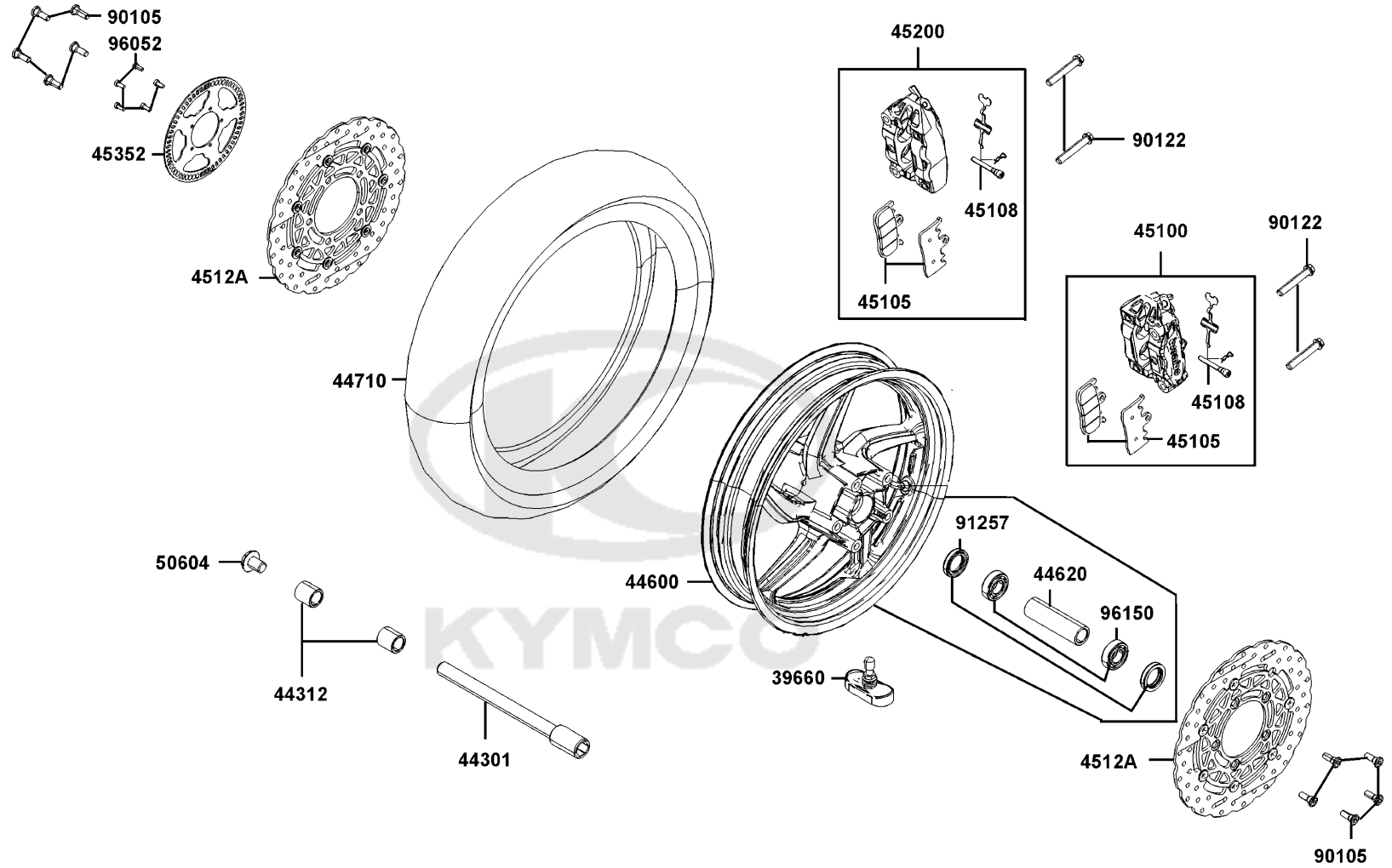
Front Cushion



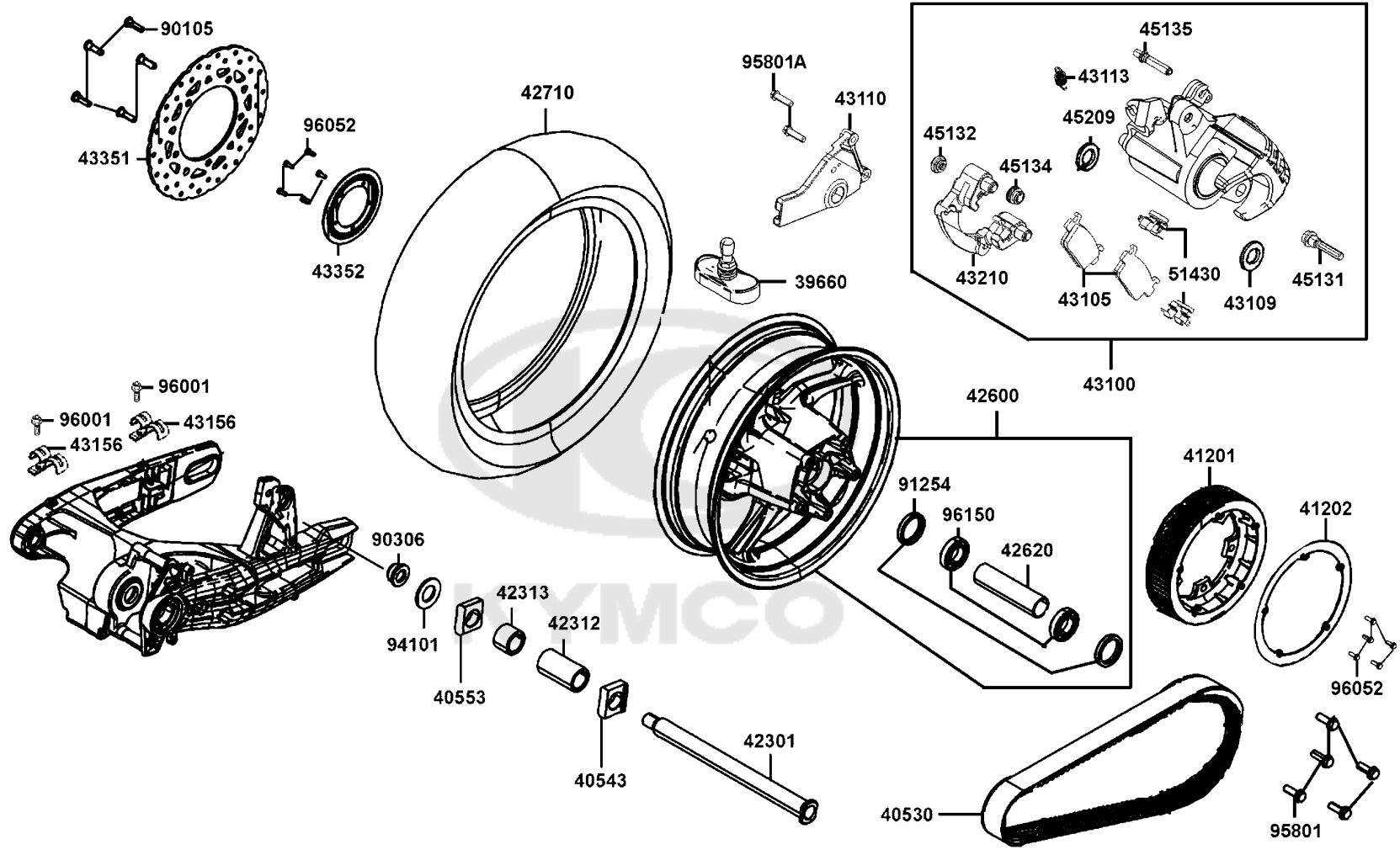
Sales mark	Ref no	Part no	Description	Reg description	Regd no	F06
83551		83551-KEC8-900	GROMMET COVER	GROMMET COVER	2	
90107		90107-LEA7-E00	BOLT SPECIAL 8*26	BOLT SPECIAL 8*26	4	
90304		90304-KKE5-E00	NUT. STRG. STEM	NUT. STRG. STEM	1	
90305		90305-LBA2-E00	NUT CLIP 6 MM	NUT CLIP 6 MM	2	
90312		90312-LLJ3-E00	COLLAR WIND SCREEN	COLLAR WIND SCREEN	4	
90503		90503-KKE5-E00	WASHER STEERING STEM NUT	WASHER STEERING STEM NUT	1	
90503A		90503-LEA7-E00	WASHER STRG STEM NUT	WASHER STRG STEM NUT	1	
93903		93903-24360	SCREW TAPPING 4*12	SCREW TAPPING 4*12	4	
94050		94050-06060	NUT FLANGE 6MM	NUT FLANGE 6MM	2	
95701		95701-06040-06	BOLT FLANGE 6*40	BOLT FLANGE 6*40	2	
95701A		95701-08016-06	BOLT FLANGE 8*16	BOLT FLANGE 8*16	2	
96600		96600-08025-06	SOCKET BOLT 8X25	SOCKET BOLT 8X25	2	
96600A		96600-08035-06	SOCKET BOLT 8X35	SOCKET BOLT 8X35	4	
96700		96700-KED9-900	BOLT SOCKET 8*30	BOLT SOCKET 8*30	2	

F07

Front Wheel



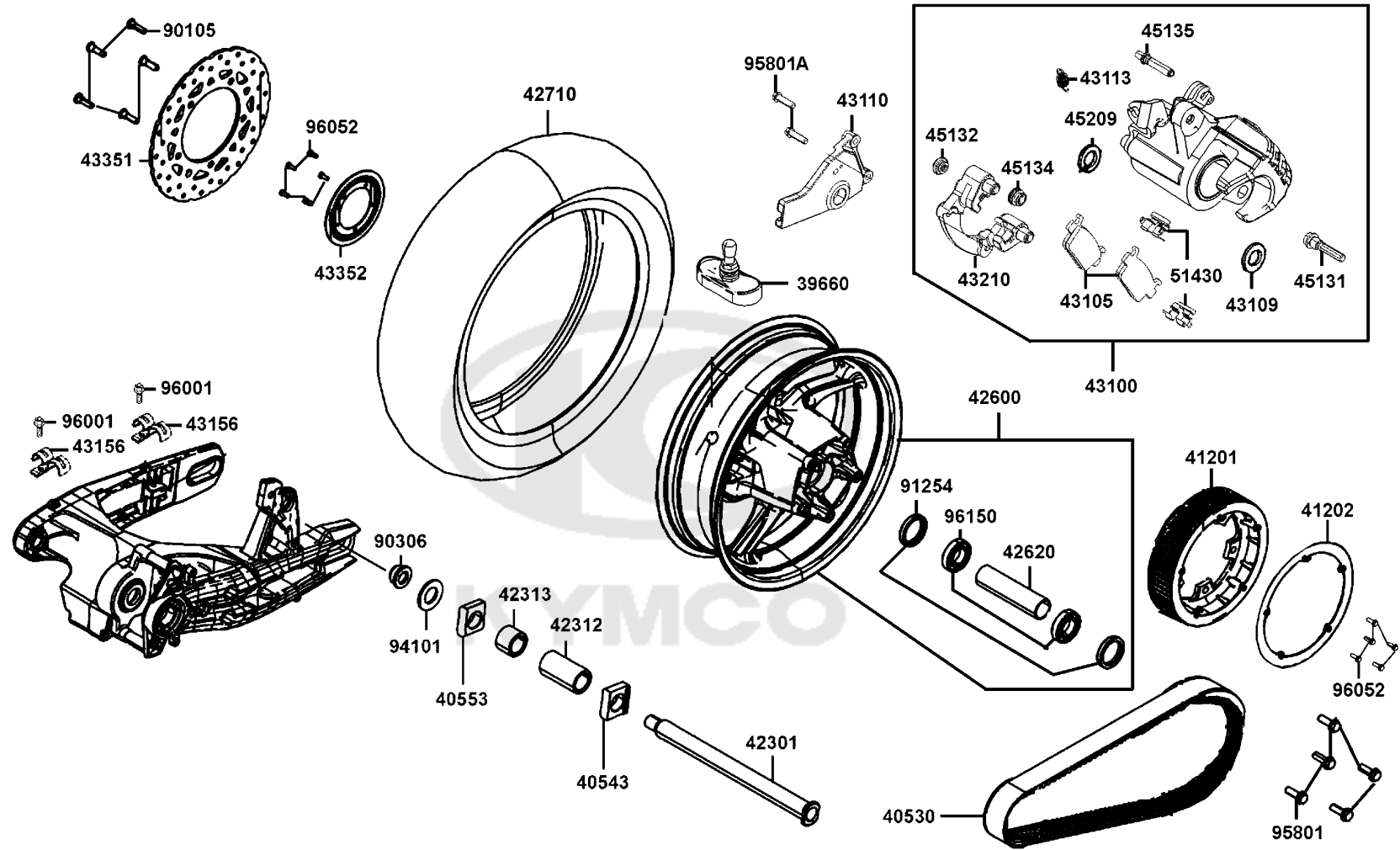
Sales mark	Ref no	Part no	Description	Reg description	Regd no	F07
	39660	39660-LGC6-E00	SENSOR. TIRE PRESURE	SENSOR. TIRE PRESURE	1	
	44301	44301-LGC6-E00	AXLE FE WHEEL	AXLE FE WHEEL	1	
	44312	44312-LBA2-E00	COLLAR FR WHEEL SIDE L	COLLAR FR WHEEL SIDE L	2	
**	44600	44600-LGC6-305	WHEEL ASSY FR	WHEEL ASSY FR	1	
	44620	44620-LGC6-E00	COLLAR FR WHEEL DIST	COLLAR FR WHEEL DIST	1	
**	45100	45100-LGC6-E00	CALIPER ASSY FR L	CALIPER ASSY FR L	1	
	45105	45105-LGC6-305	PAD SET	PAD SET	2	
	45108	45108-LGC6-305	PAD SPRING SET	PAD SPRING SET	2	
	4512A	4512A-LGC6-E01	DISK ASSY FR BRAKE	DISK ASSY FR BRAKE	2	
**	45200	45200-LGC6-E00	CALIPER ASSY FR R	CALIPER ASSY FR R	1	
	45352	45352-LKF5-E00	TOOTHED RING. SENSOR	TOOTHED RING. SENSOR	1	
	50604	50604-LGC6-E00	BOLT GR AXLE	BOLT GR AXLE	1	
	90105	90105-KCR3-001	BOLT FR DISK 8X24	BOLT FR DISK 8X24	10	
	90122	90122-LKF5-E00	BOLT FLANGE 10*58	BOLT FLANGE 10*58	4	
	91257	91257-KED9-900	DUST SEAL 28*42*8	DUST SEAL 28*42*8	2	
	96052	96052-PRA1-E00	BOLT M5*16	BOLT M5*16	5	
	96150	96150-60040-10	BEARING BALL RADIAL 6004	BEARING BALL RADIAL 6004	2	



Sales mark	Ref no	Part no	Description	Reg description	Regd no	F08
	39660	39660-LGC6-E00	SENSOR. TIRE PRESURE	SENSOR. TIRE PRESURE	1	
	40530	40530-LGC6-E00	TIMING BELT (DRIVE BELT)	TIMING BELT (DRIVE BELT)	1	
	40543	40543-LGC6-E00	ADJUSTER L/H BELT	ADJUSTER L/H BELT	1	
	40553	40553-LGC6-E00	ADJUSTER R/H BELT	ADJUSTER R/H BELT	1	
	41202	41202-LGC6-E00	PLATE FINAL DRIVE	PLATE FINAL DRIVE	1	
	42301	42301-LGC6-E00	AXLE RR WHEEL	AXLE RR WHEEL	1	
	42312	42312-LGC6-E00	COLLAR RR WHEEL SIDE A	COLLAR RR WHEEL SIDE A	1	
	42313	42313-LGC6-E00	COLLAR RR WHEEL SIDE B	COLLAR RR WHEEL SIDE B	1	
**	42600	42600-LGC6-305	WHEEL SET RR	WHEEL SET RR	1	
	42620	42620-LGC6-E00	COLLAR RR WHEEL DIST	COLLAR RR WHEEL DIST	1	
**	43100	43100-LGC6-E01	CALIPER ASSY RR	CALIPER ASSY RR	1	
	43105	43105-LGC6-305	PAD SET	PAD SET	1	
	43109	43109-LGC6-E00	DUST SEAL	DUST SEAL	1	
**	43110	43110-LGC6-E00	HOLDER RR CALIPER	HOLDER RR CALIPER	1	
	43113	43113-LBA2-E00	SPRING BRAKE ARM	SPRING BRAKE ARM	1	
	43156	43156-LGC6-E00	CLAMPER RR BRK HOSE	CLAMPER RR BRK HOSE	2	
**	43210	43210-LGC6-305	BRACKET ASSY RR	BRACKET ASSY RR	1	
	43351	43351-LGC6-E01	DISK RR BRAKE	DISK RR BRAKE	1	
	43352	43352-LGC6-E00	TOOTHED RING RR SENSOR	TOOTHED RING RR SENSOR	1	
	45131	45131-LDH1-E00	PIN BOLT	PIN BOLT	1	

F08

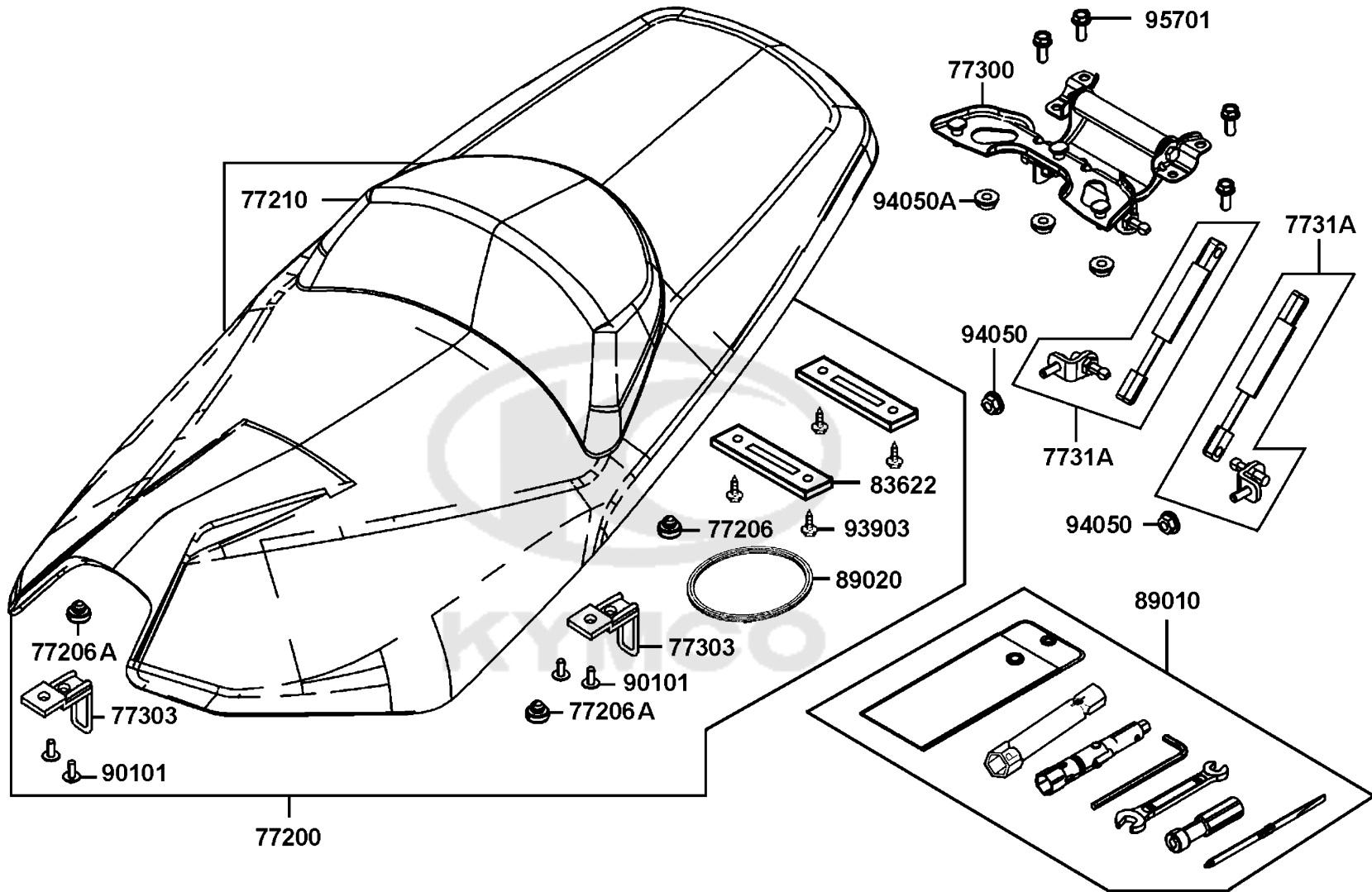
Rear Wheel



Sales mark	Ref no	Part no	Description	Reg description	Regd no	F08
45132		45132-LDH1-E00	BOOT	BOOT	1	
45134		45134-KED9-900	BOOT B	BOOT B	1	
45135		45135-KED9-900	PIN BOLT A	PIN BOLT A	1	
45209		45209-LGC6-E00	SEAL PISTON	SEAL PISTON	1	
51430		51430-ACD5-E00	SPRING PAD	SPRING PAD	2	
90105		90105-KCR3-001	BOLT FR DISK 8X24	BOLT FR DISK 8X24	5	
90306		90306-LBA2-900	NUT U 20MM	NUT U 20MM	1	
91254		91254-LGC6-E00	OIL SEAL 40X52X8	OIL SEAL 40X52X8	2	
94101		94101-LGC6-E00	WASHER PLAIN 20.5X38X3(B)	WASHER PLAIN 20.5X38X3(B)	1	
95801		95801-10030-06	BOLT FLANGE 10*30	BOLT FLANGE 10*30	5	
95801A		95801-LEA1-900	BOLT FLANGE 10*35	BOLT FLANGE 10*35	2	
96001		96001-06012-06	BOLT FLANGE SH 6*12	BOLT FLANGE SH 6*12	2	
96052		96052-PRA1-E00	BOLT M5*16	BOLT M5*16	10	
96150		96150-LGC6-E00	BRG. BALL RADIAL 60/28 LLU CGMU9V8	BRG. BALL RADIAL 60/28 LLU CGMU9V8	1	

F09

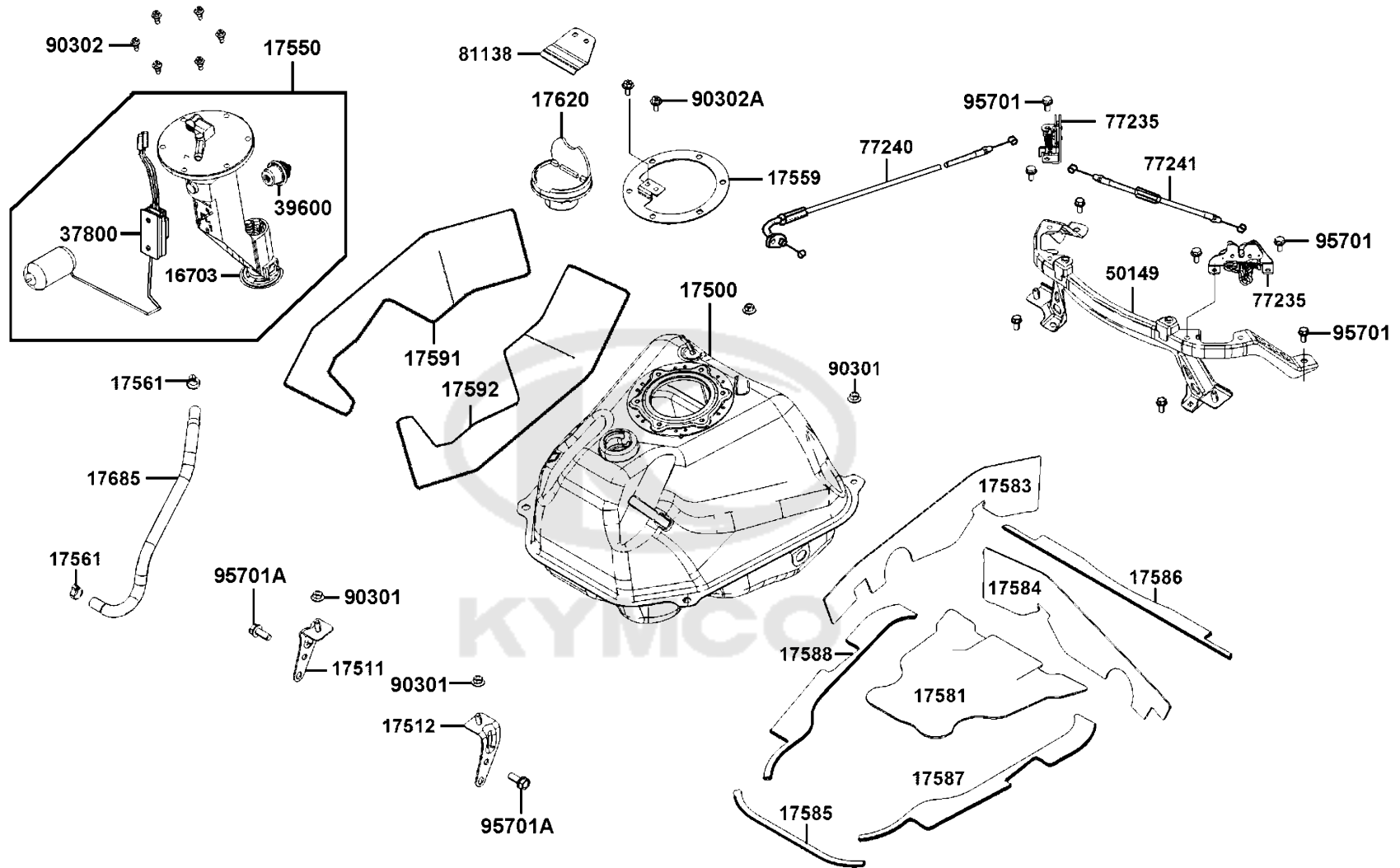
Seat



Sales mark	Ref no	Part no	Description	Reg description	Regd no	F09
**	77200	77200-LGC6-309	SEAT ASSY (REACH)	SEAT ASSY (REACH)	1	
	77206	77206-KGBG-900	RUBBER SEAT CUSH	RUBBER SEAT CUSH	3	
	77206A	77206-LKB9-900	RUBBER SEAT CUSH	RUBBER SEAT CUSH	2	
	77210	77210-LGC6-E00	BACK SEAT ASSY (REACH)	BACK SEAT ASSY (REACH)	1	
	77300	77300-LGC6-E00	HINGE ASSY SEAT	HINGE ASSY SEAT	1	
	77303	77303-LHJ8-900	HOOK SEAT LOCK	HOOK SEAT LOCK	2	
	7731A	7731A-LGC6-E00	STAY ASSY DAMPER	STAY ASSY DAMPER	2	
	83622	83622-KED9-900	STAY BAND	STAY BAND	2	
	89010	89010-LGC6-E00	TOOL SET	TOOL SET	1	
	89020	89020-KKC4-900	BAND TOOL SET	BAND TOOL SET	1	
	90101	90101-KGC4-E00	SCREW SPECIAL 6*15	SCREW SPECIAL 6*15	4	
	93903	93903-34360	SCREW TAPPING 4*12	SCREW TAPPING 4*12	4	
	94050	94050-06060	NUT FLANGE 6MM	NUT FLANGE 6MM	2	
	94050A	94050-06080	NUT FLANGE 6MM	NUT FLANGE 6MM	3	
	95701	95701-08016-06	BOLT FLANGE 8*16	BOLT FLANGE 8*16	4	

F10

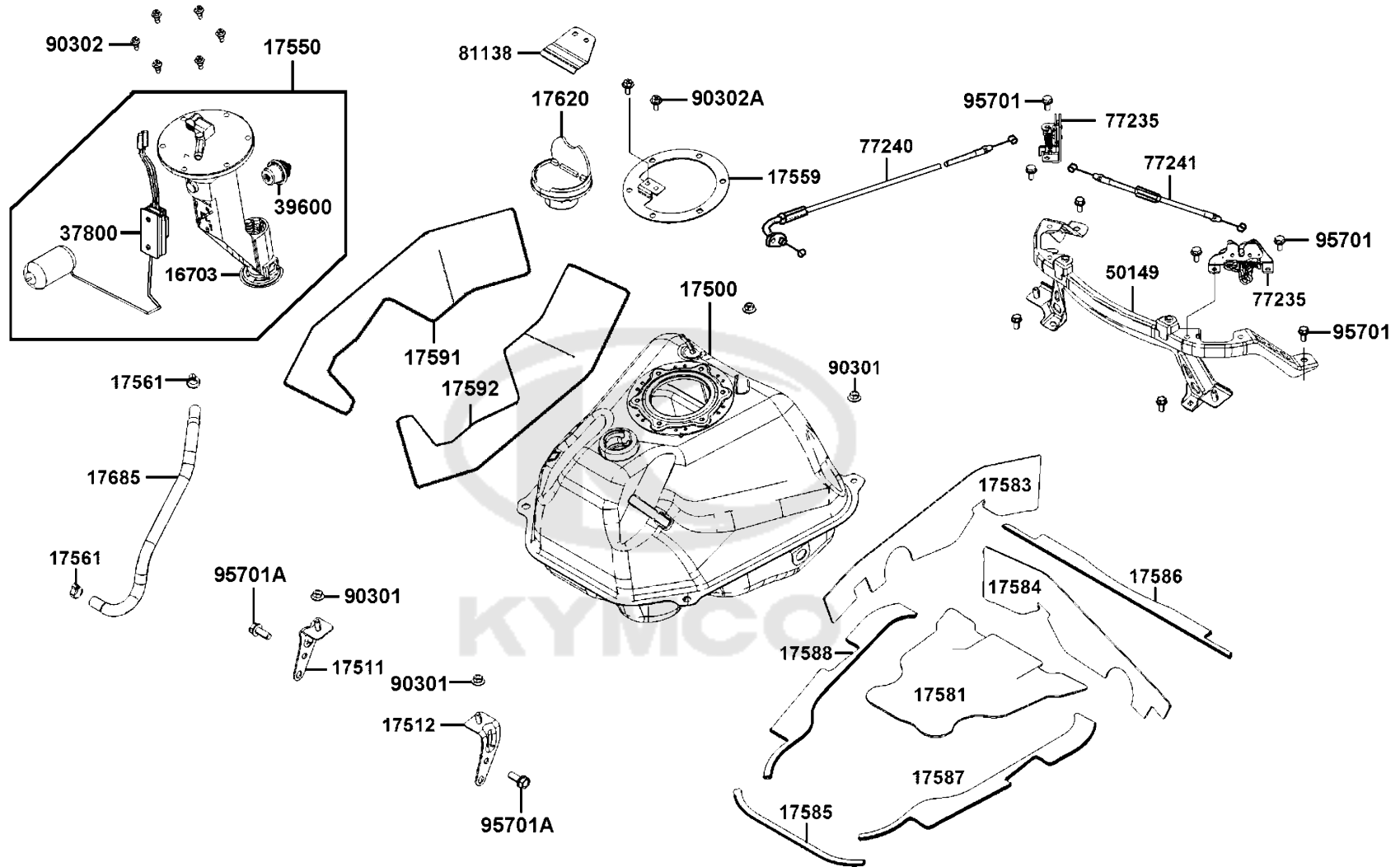
Fuel Tank



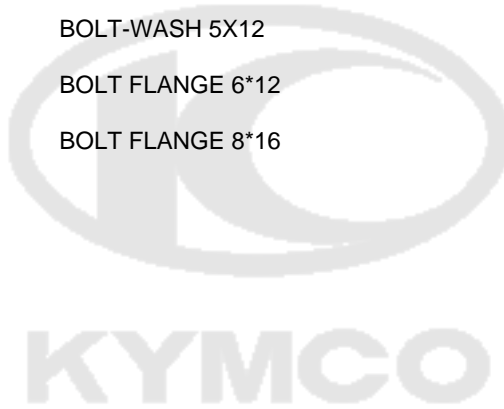
Sales mark	Ref no	Part no	Description	Reg description	Regd no	F10
16703		16703-LHJ8-800	FUEL FILTER ASSY	FUEL FILTER ASSY	1	
17500		17500-LGC6-E00	TANK COMP FUEL	TANK COMP FUEL	1	
17511		17511-LGC6-E00	STAY R FUEL TANK	STAY R FUEL TANK	1	
17512		17512-LGC6-E00	STAY L FUEL TANK	STAY L FUEL TANK	1	
17550		17550-LGC6-E00	PUMP ASS'Y FUEL	PUMP ASS'Y FUEL	1	
17559		17559-LGC6-E00	STAY FUEL CAP CATCH	STAY FUEL CAP CATCH	1	
17561		17561-LKB9-900	CLIP 12.5	CLIP 12.5	2	
17581		17581-LGC6-E00	HEAT GUARD FUEL TANK BOTTOM	HEAT GUARD FUEL TANK BOTTOM	1	
17583		17583-LGC6-E00	HEAT GUARD FUEL TANK R	HEAT GUARD FUEL TANK R	1	
17584		17584-LGC6-E00	HEAT GUARD FUEL TANK L	HEAT GUARD FUEL TANK L	1	
17585		17585-LGC6-E00	HEAT GUARD D FUEL TANK SIDE	HEAT GUARD D FUEL TANK SIDE	1	
17586		17586-LGC6-E00	HEAT GUARD A FUEL TANK SIDE	HEAT GUARD A FUEL TANK SIDE	1	
17587		17587-LGC6-E00	HEAT GUARD B FUEL TANK SIDE	HEAT GUARD B FUEL TANK SIDE	1	
17588		17588-LGC6-E00	HEAT GUARD C FUEL TANK SIDE	HEAT GUARD C FUEL TANK SIDE	1	
17591		17591-LGC6-E00	HEAT GUARD RFUEL TANK TOPPER	HEAT GUARD RFUEL TANK TOPPER	1	
17592		17592-LGC6-E00	HEAT GUARD LFUEL TANK TOPPER	HEAT GUARD LFUEL TANK TOPPER	1	
17620		17620-LGC6-E00	CAP COMP.FUEL FILLER	CAP COMP.FUEL FILLER	1	
17685		17685-LGC6-E00	TUBE FUEL PUMP	TUBE FUEL PUMP	1	
37800		37800-LGC6-E00	FUEL UNIT	FUEL UNIT	1	
39600		39600-ACH6-900	REGULATOR FUEL	REGULATOR FUEL	1	

F10

Fuel Tank

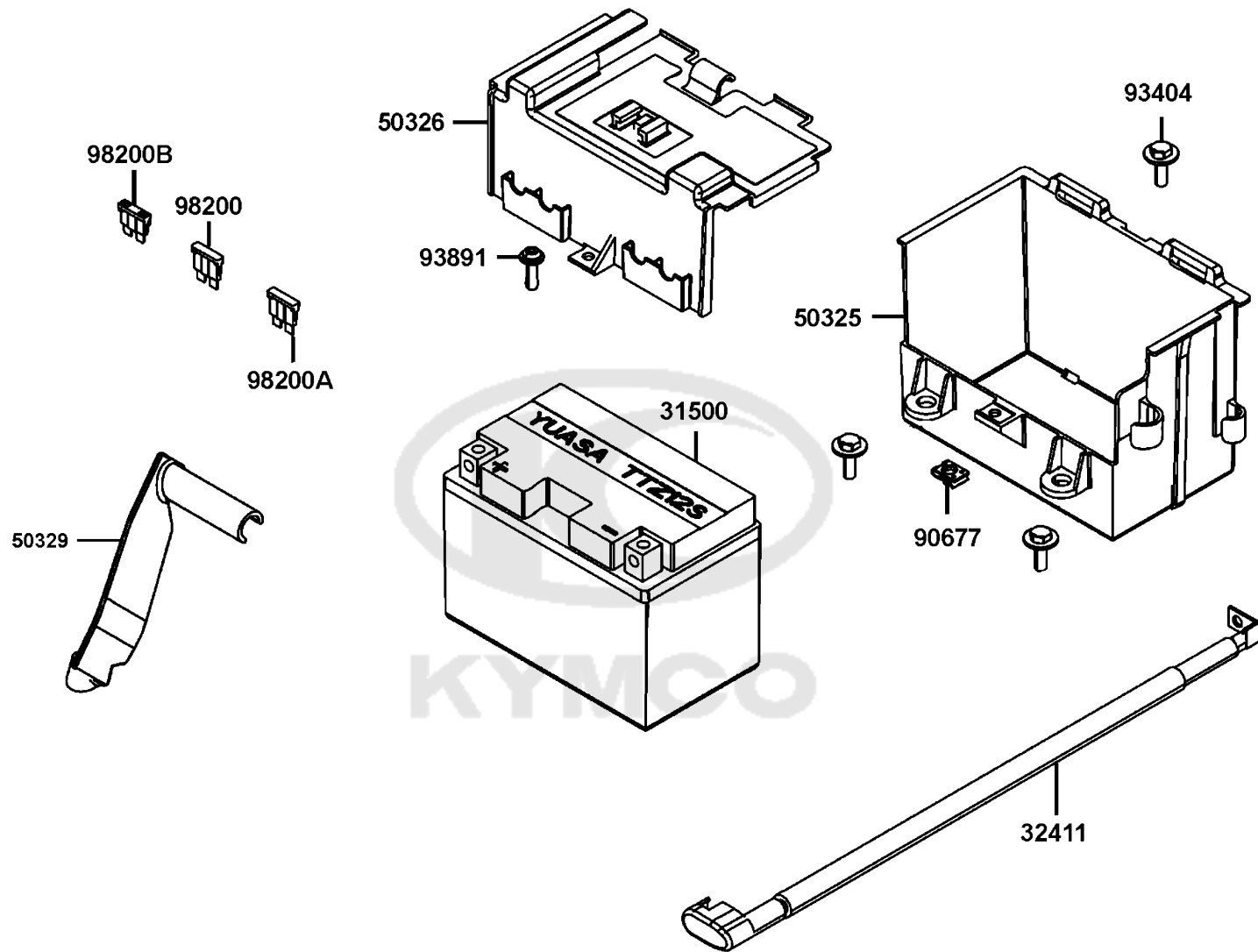


Sales mark	Ref no	Part no	Description	Reg description	Regd no	F10
	50149	50149-LGC6-E00	STAY SEAT CATCH	STAY SEAT CATCH	1	
	77235	77235-LGC6-E00	CATCH COMP.SEAT	CATCH COMP.SEAT	2	
	77240	77240-LGC6-E00	CABLE ASSY.. SEAT LOCK	CABLE ASSY.. SEAT LOCK	1	
	77241	77241-LGC6-E00	CABLE COMP. SEAT CATCH	CABLE COMP. SEAT CATCH	1	
	81138	81138-LGC6-E00	SET LOCK	SET LOCK	1	
	90301	90301-6D34-671	NUT FLANGE 6MM	NUT FLANGE 6MM	4	
	90302	90302-GFY6-940	BOLT-WASH 5*16	BOLT-WASH 5*16	6	
	90302A	90302-LLB1-E00	BOLT-WASH 5X12	BOLT-WASH 5X12	2	
	95701	95701-06012-06	BOLT FLANGE 6*12	BOLT FLANGE 6*12	8	
	95701A	95701-08016-06	BOLT FLANGE 8*16	BOLT FLANGE 8*16	2	



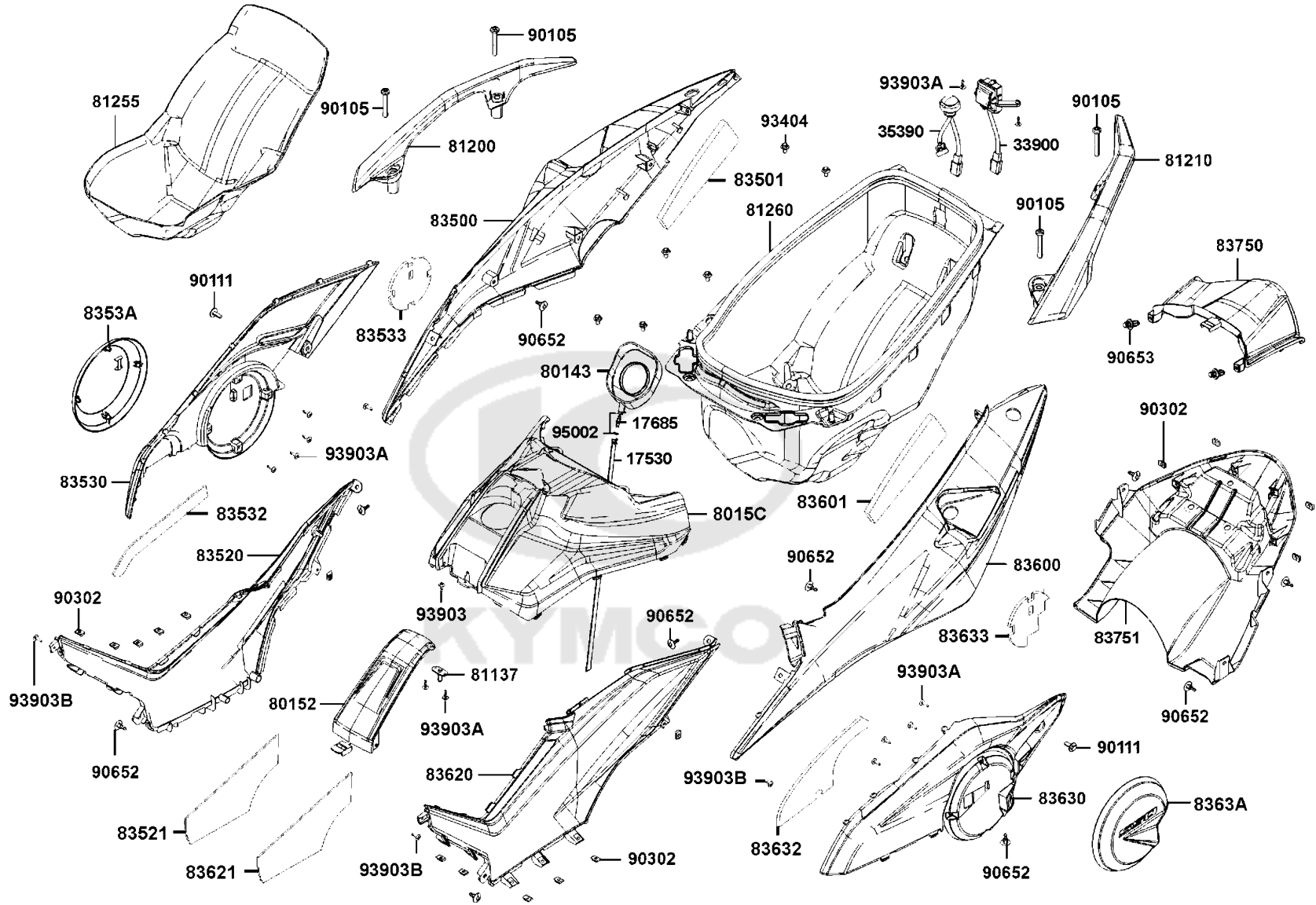
F11

Battery

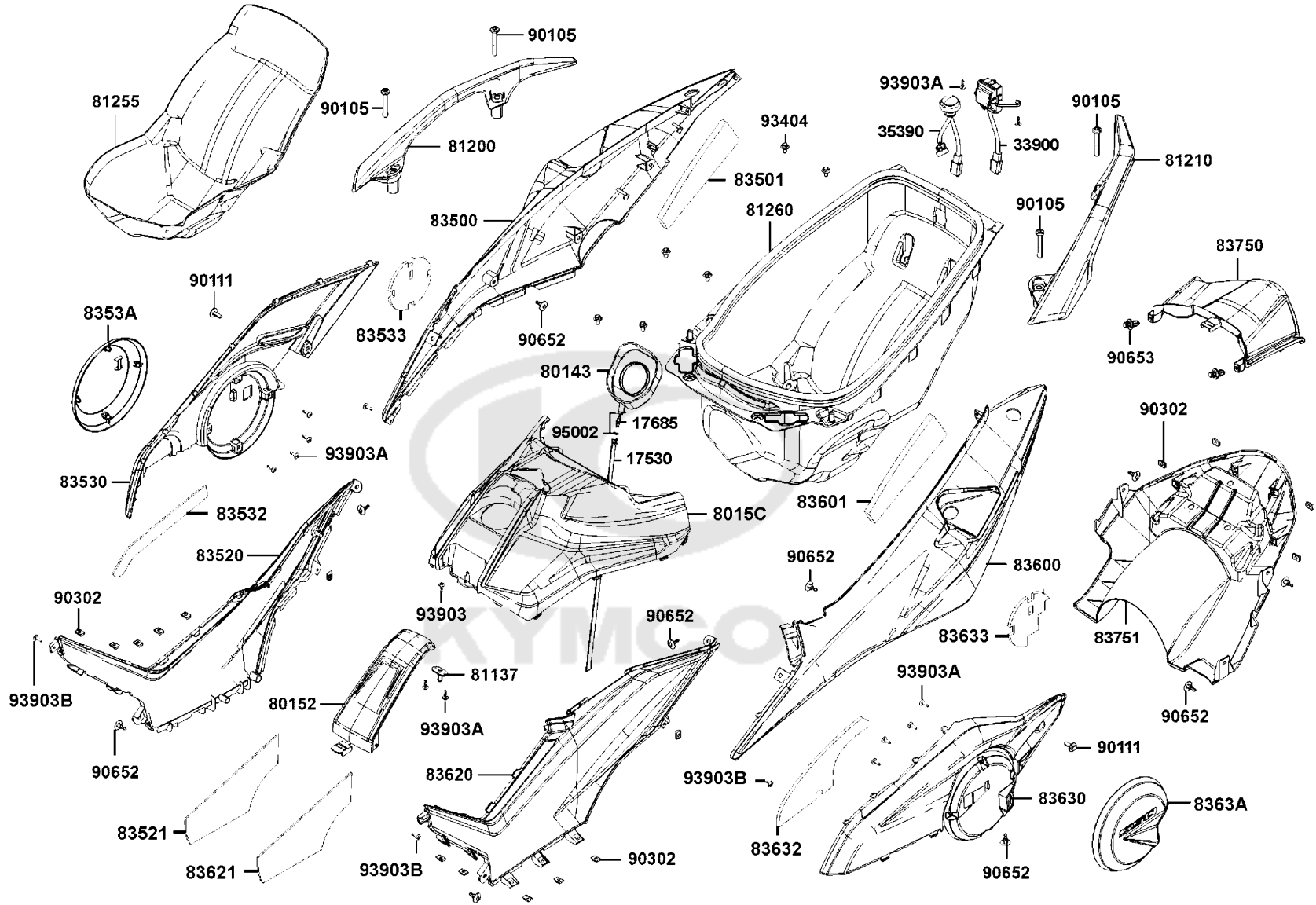


Sales mark	Ref no	Part no	Description	Reg description	Regd no	F11
	31500	31500-LGC6-E01	BATTERY TTZ14S	BATTERY TTZ14S	1	
	32411	32411-LGC6-E00	CABLE. BAT.	CABLE. BAT.	1	
**	50325	50325-LGC6-E00	CASE BATTERY	CASE BATTERY	1	
**	50326	50326-LGC6-E00	COVER BATTERY	COVER BATTERY	1	
**	50329	50329-LGC6-E00	PROTECTOR	PROTECTOR	1	
	90677	90677-GAR1-004	NUT CLIP 5MM	NUT CLIP 5MM	1	
	93404	93404-06016-06	BOLT WASHER 6*16	BOLT WASHER 6*16	3	
	93891	93891-05012-06	SCREW WASHER 5*12	SCREW WASHER 5*12	1	
	98200	98200-31000	BLADE FUSE 10A	BLADE FUSE 10A	1	
	98200A	98200-31500	BLADE FUSE 15A	BLADE FUSE 15A	1	
	98200B	98200-33000	BLADE FUSE 30A	BLADE FUSE 30A	1	

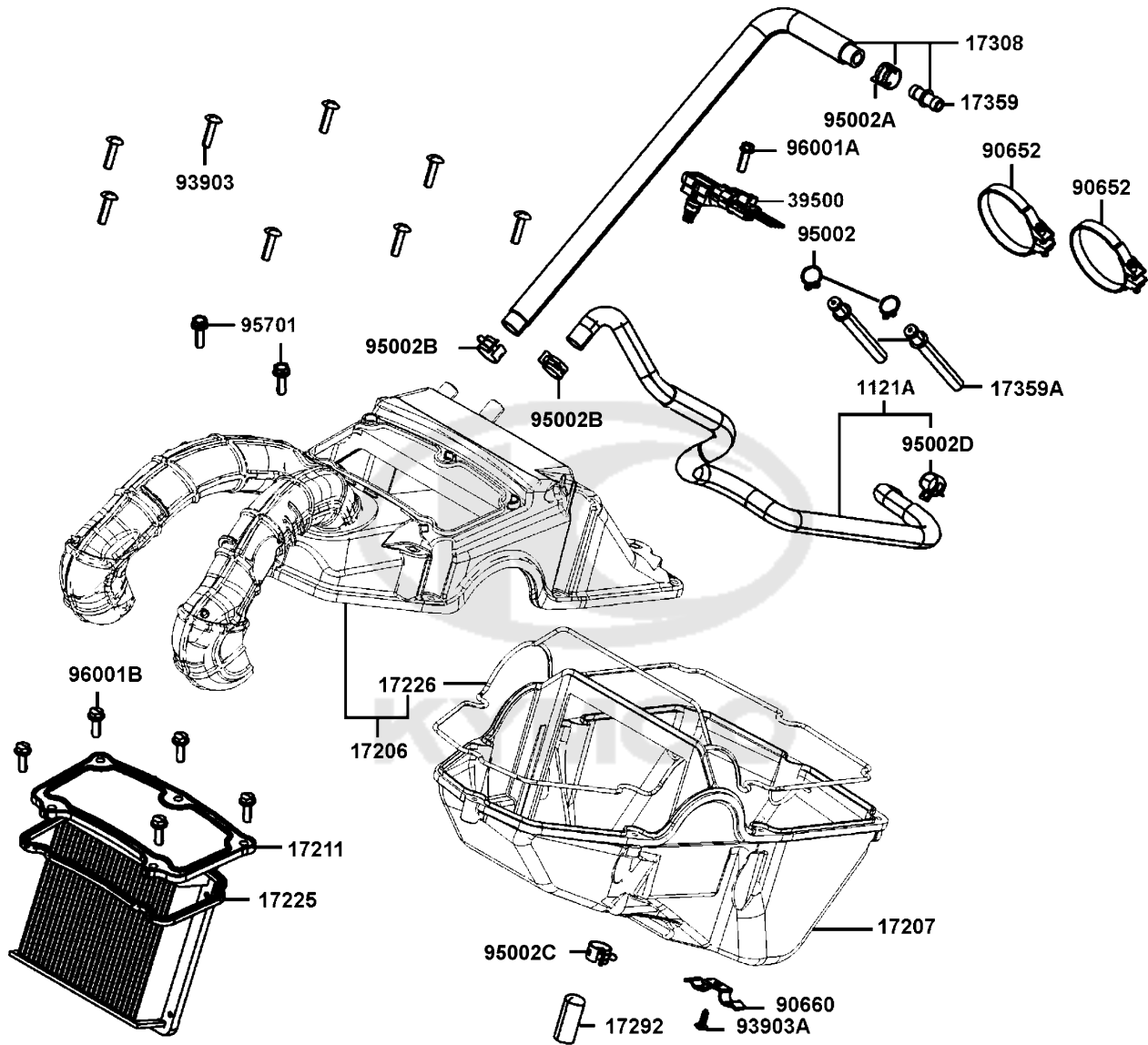




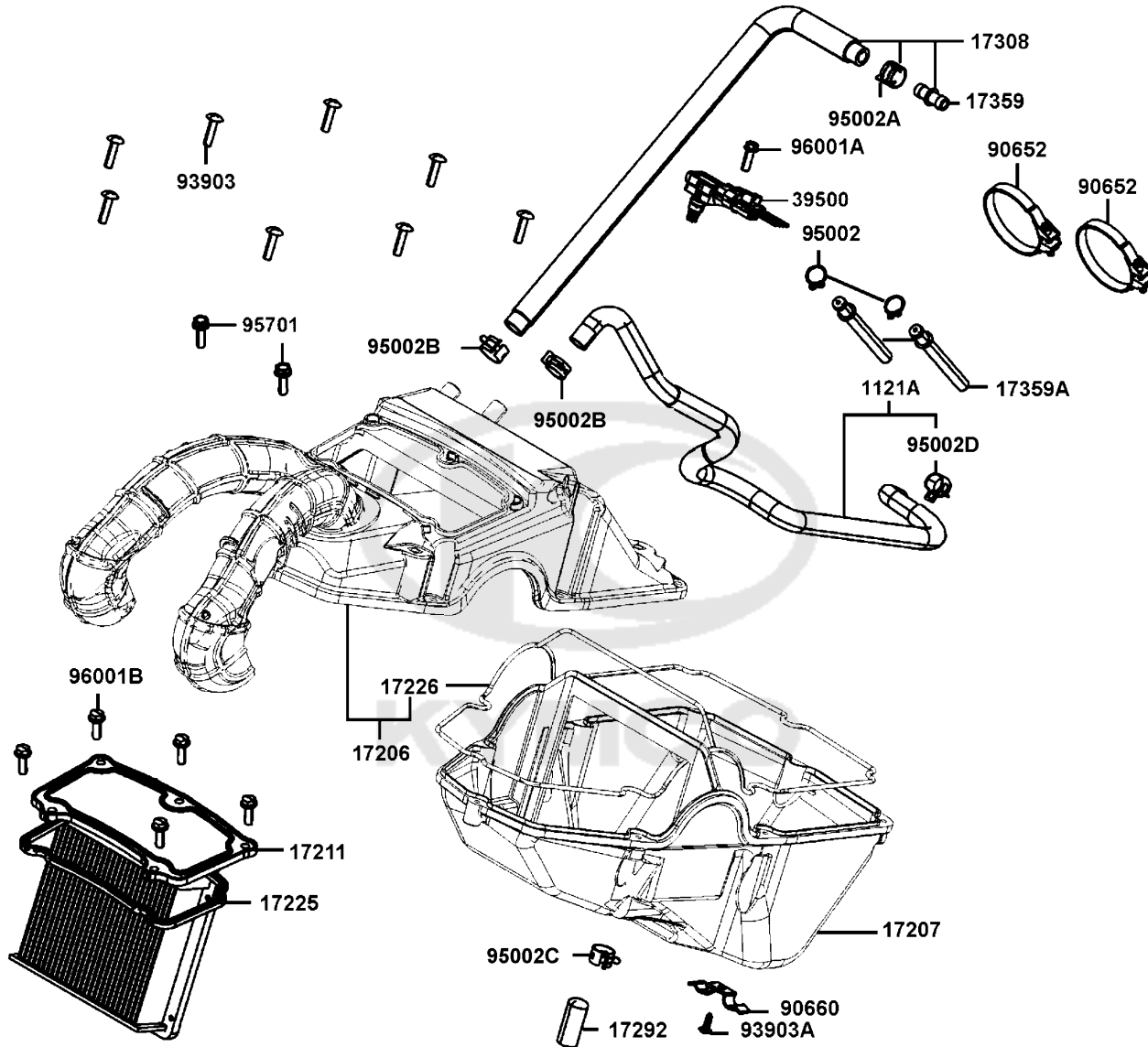
Sales mark	Ref no	Part no	Description	Reg description	Regd no	F12
	17530	17530-KGB5-900	TUBE ASSY DRAIN	TUBE ASSY DRAIN	1	
	17685	17685-KZCZ-900	JOINT TUBE	JOINT TUBE	1	
	33900	33900-LGC6-E00	LIGHT ASSY LUGGAGE BOX	LIGHT ASSY LUGGAGE BOX	1	
	35390	35390-LHG7-E00	SENSOR LUGGAGE BOX LIGHT	SENSOR LUGGAGE BOX LIGHT	1	
	80143	80143-LGC6-E00	RUBBER FUEL CAP	RUBBER FUEL CAP	1	
**	80152	80152-LGC6-E00	LID FUEL CAP MAINT	LID FUEL CAP MAINT	1	
**	8015C	8015C-LGC6-E00	COVER B ASSY.CENTER	COVER B ASSY.CENTER	1	
	81137	81137-LGC6-E00	HOOK FUEL COVER	HOOK FUEL COVER	1	
**	81200	81200-LGC6-E00	CARRIER R REAR	CARRIER R REAR	1	
**	81210	81210-LGC6-E00	CARRIER L REAR	CARRIER L REAR	1	
	81255	81255-LGC6-E00	PAD LUGGAGE	PAD LUGGAGE	1	
	81260	81260-LGC6-E00	BOX ASSY LUGGAGE	BOX ASSY LUGGAGE	1	
**	83500	83500-LGC6-E00	COVER R BODY	COVER R BODY	1	
	83501	83501-LGC6-E00	SPONGE R BODY COVER	SPONGE R BODY COVER	1	
**	83520	83520-LGC6-E00	BOARD A R SIDE	BOARD A R SIDE	1	
	83521	83521-LGC6-E00	SPONGE BOARD A R SIDE	SPONGE BOARD A R SIDE	1	
**	83530	83530-LGC6-E00	BOARD B R SIDE	BOARD B R SIDE	1	
	83532	83532-LGC6-E00	SPONGE A BOARD B R SIDE	SPONGE A BOARD B R SIDE	1	
	83533	83533-LGC6-E00	SPONGE B BOARD B R SIDE	SPONGE B BOARD B R SIDE	1	
**	8353A	8353A-LGC6-E00	GRILLE ASSY.R BOARD	GRILLE ASSY.R BOARD	1	



Sales mark	Ref no	Part no	Description	Reg description	Regd no	F12
**	83600	83600-LGC6-E00	COVER L SIDE	COVER L SIDE	1	
	83601	83601-LGC6-E00	SPONGE L BODY COVER	SPONGE L BODY COVER	1	
**	83620	83620-LGC6-E00	BOARD AL SIDE	BOARD AL SIDE	1	
	83621	83621-LGC6-E00	SPONGE BOARD A L SIDE	SPONGE BOARD A L SIDE	1	
**	83630	83630-LGC6-E00	BOARD B L SIDE	BOARD B L SIDE	1	
	83632	83632-LGC6-E00	SPONGE A BOARD B L SIDE	SPONGE A BOARD B L SIDE	1	
	83633	83633-LGC6-E00	SPONGE B BOARD B L SIDE	SPONGE B BOARD B L SIDE	1	
**	8363A	8363A-LGC6-E00	GRILLE ASSY. L BOARD	GRILLE ASSY. L BOARD	1	
**	83750	83750-LGC6-E00	COVER B RR CENTER	COVER B RR CENTER	1	
**	83751	83751-LGC6-E00	COVER B.RR CENTER	COVER B.RR CENTER	1	
	90105	90105-LGC6-E00	BOLT-WASH 8MM	BOLT-WASH 8MM	4	
	90111	90111-LGC6-E01	SCREW PAN 6X14	SCREW PAN 6X14	2	
	90302	90302-SDA4-004	NUT SPRING 4MM	NUT SPRING 4MM	12	
	90652	90652-LCA4-E00	CLIP MUDGUARD	CLIP MUDGUARD	10	
	90653	90653-LKB9-900	CLIP MUDGUARD	CLIP MUDGUARD	2	
	93404	93404-06012-06	BOLT WASHER 6X12	BOLT WASHER 6X12	6	
	93903	93903-14460	SCREW TAPPING 4*16	SCREW TAPPING 4*16	1	
	93903A	93903-24360	SCREW TAPPING 4*12	SCREW TAPPING 4*12	12	
	93903B	93903-GFY6-900	SCREW TAPPING 4*14	SCREW TAPPING 4*14	4	
	95002	95002-02080	CLIP B8 TUBE	CLIP B8 TUBE	2	



Sales mark	Ref no	Part no	Description	Reg description	Regd no	F13
	1121A	1121A-LGC6-E00	TUBE ASSY BREATHER	TUBE ASSY BREATHER	1	
	17206	17206-LGC6-305	CASE. AIR/C	CASE. AIR/C	1	
	17207	17207-AKB8-E00	COVER. AIR/C	COVER. AIR/C	1	
	17211	17211-LGC6-E00	ELEMENT COMP AIR/C	ELEMENT COMP AIR/C	1	
	17225	17225-LGC6-E00	SEAL. AIR/C COVER	SEAL. AIR/C COVER	1	
	17226	17226-LGC6-E00	SEAL. AIR/C CASE	SEAL. AIR/C CASE	1	
	17292	17292-PWB1-900	PIPE DRAIN	PIPE DRAIN	1	
	17308	17308-LGC6-E00	TUBE ASSY AIR/C	TUBE ASSY AIR/C	1	
	17359	17359-4K19-671	JOINT BREATHER TUBE	JOINT BREATHER TUBE	1	
	17359A	17359-LGC6-E00	JOINT. PURGE TUBE	JOINT. PURGE TUBE	2	
	39500	39500-AAC9-900	SENSOR T-MAP	SENSOR T-MAP	1	
	90652	90652-KHE7-900	BAND CONNECTING TUBE	BAND CONNECTING TUBE	2	
	90660	90660-LGC6-E00	CLAMP TUBE	CLAMP TUBE	1	
	93903	93903-25460	SCREW TAPPING 5*20	SCREW TAPPING 5*20	8	
	93903A	93903-34360	SCREW TAPPING 4*12	SCREW TAPPING 4*12	1	
	95002	95002-02110	CLIP	CLIP	2	
	95002A	95002-41250-00	CLIP D12.5 TUBE	CLIP D12.5 TUBE	1	
	95002B	95002-KED9-M30	CLAMP D14.8 TUBE	CLAMP D14.8 TUBE	1	
	95002C	95002-LHG8-E00	CLAMP.D14 TUBE	CLAMP.D14 TUBE	1	
	95002D	95002-LKF5-E00	CLAMP D14.6 TUBE	CLAMP D14.6 TUBE	1	



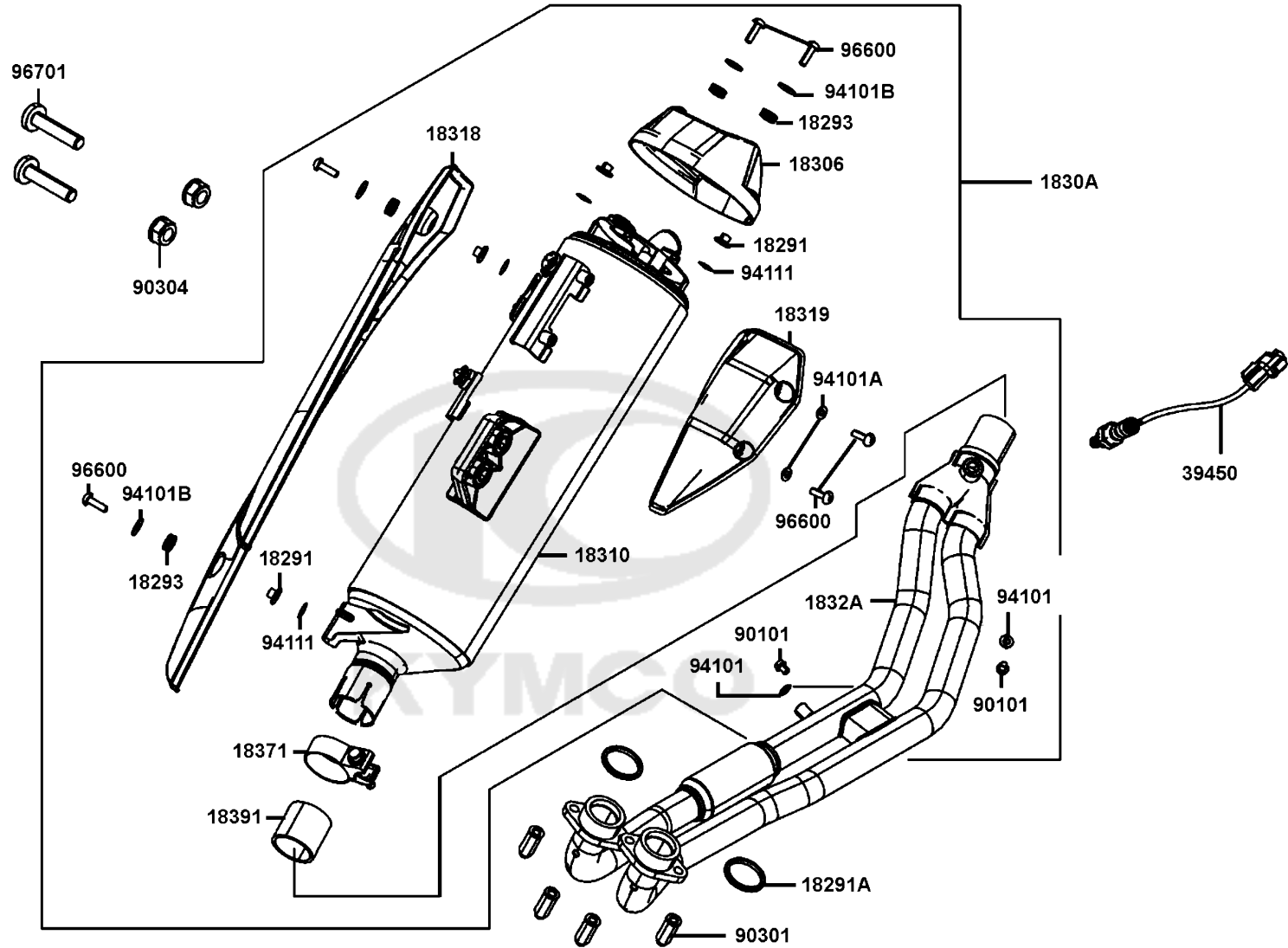
Sales mark	Ref no	Part no	Description	Reg description	Regd no	F13
------------	--------	---------	-------------	-----------------	---------	------------

95701		95701-06020-06	BOLT FLANGE 6*20	BOLT FLANGE 6*20	2	
96001A		96001-06018-06	BOLT FLANGE SH 6*18	BOLT FLANGE SH 6*18	1	
96001B		96001-LAB4-900	BOLT SPECIAL M5X16	BOLT SPECIAL M5X16	5	



F14

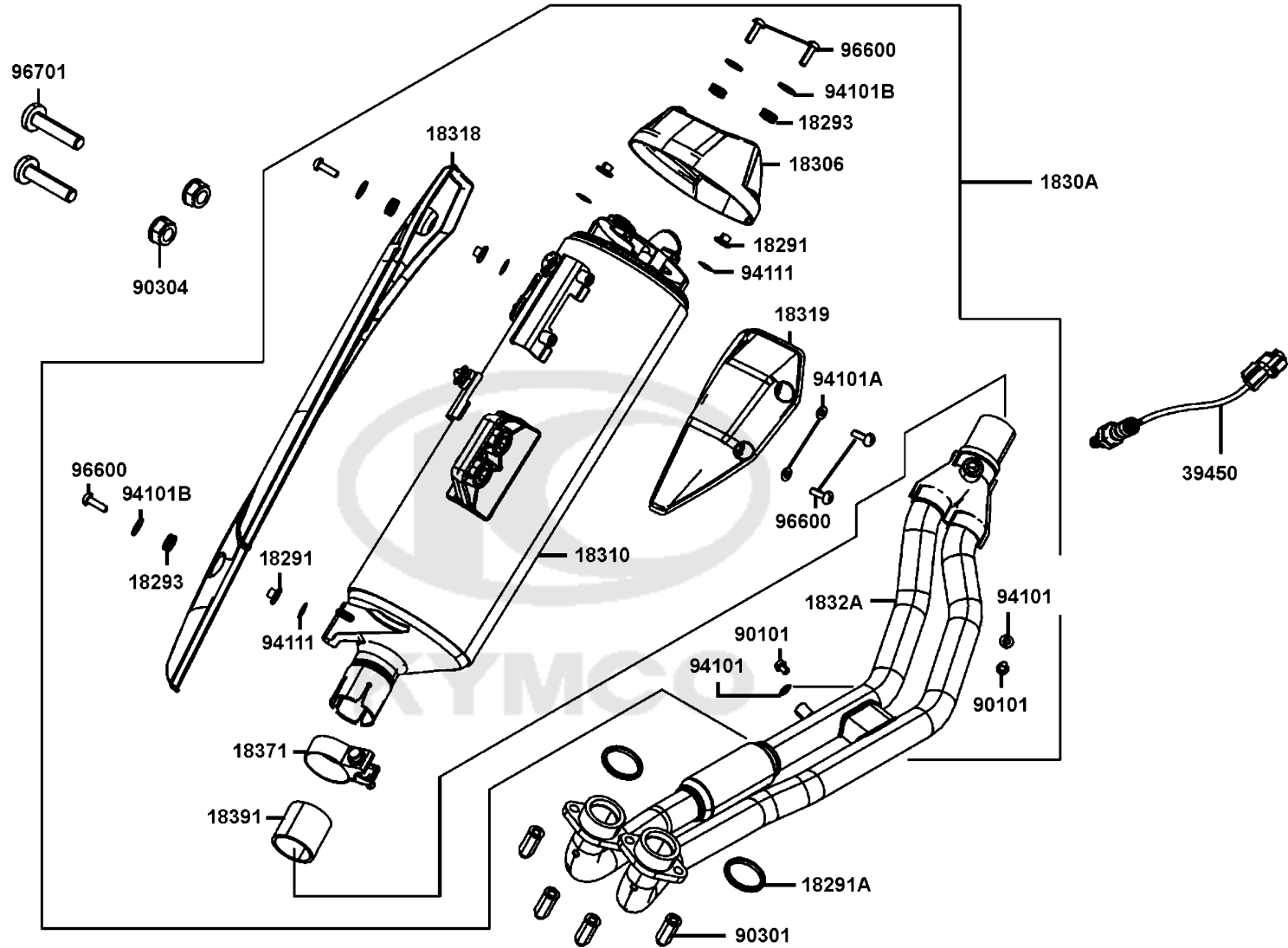
Exhaust Muffler



Sales mark	Ref no	Part no	Description	Reg description	Regd no	F14
	18291	18291-LKG2-90A	COLLAR	COLLAR	4	
	18291A	18291-PWB1-900	SEAL EXH PIPE	SEAL EXH PIPE	2	
	18293	18293-LHJ8-900	RUBBER PKG PROTR	RUBBER PKG PROTR	4	
**	18306	18306-LGC6-E00	TAIL CAP. MUFFLER	TAIL CAP. MUFFLER	1	
**	1830A	1830A-LGC6-EZ5	MUFFLER ASSY. EXHAUST	MUFFLER ASSY. EXHAUST	1	
	18310	18310-LGC6-B80	MUFFLER COMP	MUFFLER COMP	1	
**	18318	18318-LGC6-E00	MUFF. PROTECTOR	MUFF. PROTECTOR	1	
**	18319	18319-LGC6-E00	COVER. SILENCER	COVER. SILENCER	1	
	1832A	1832A-LGC6-EZ5	PIPE ASSY EXHAUST	PIPE ASSY EXHAUST	1	
	18371	18371-LBA2-E00	BAND MUFFLER	BAND MUFFLER	1	
	18391	18391-LKF5-E00	PACKING. MUFFLER	PACKING. MUFFLER	1	
	39450	39450-ZVA6-M00	O2 SENSOR	O2 SENSOR	1	
	90101	90101-LEA7-E00	BOLT FLANGE SH 6X8	BOLT FLANGE SH 6X8	2	
	90301	90301-GFY6-901	NUT (HEX) CAP 8MM	NUT (HEX) CAP 8MM	4	
	90304	90304-LGC6-E00	NUT M10X1.25(C)	NUT M10X1.25(C)	2	
	94101	94101-06200	WASHER PLAIN 6MM	WASHER PLAIN 6MM	2	
	94101A	94101-LDB5-E00	WASHER PLAIN 6MM	WASHER PLAIN 6MM	2	
	94101B	94101-LEA2-900	WASHER PLAIN 6MM	WASHER PLAIN 6MM	4	
	94111	94111-ACD5-E00	WASHER SPG 6MM	WASHER SPG 6MM	4	
	96600	96600-LEA7-E01	SOCKET BOLT	SOCKET BOLT	6	

F14

Exhaust Muffler



Sales mark	Ref no	Part no	Description	Reg description	Regd no	F14
------------	--------	---------	-------------	-----------------	---------	------------

96701

96701-LGC6-E01

SOCKET BOLT 10X45

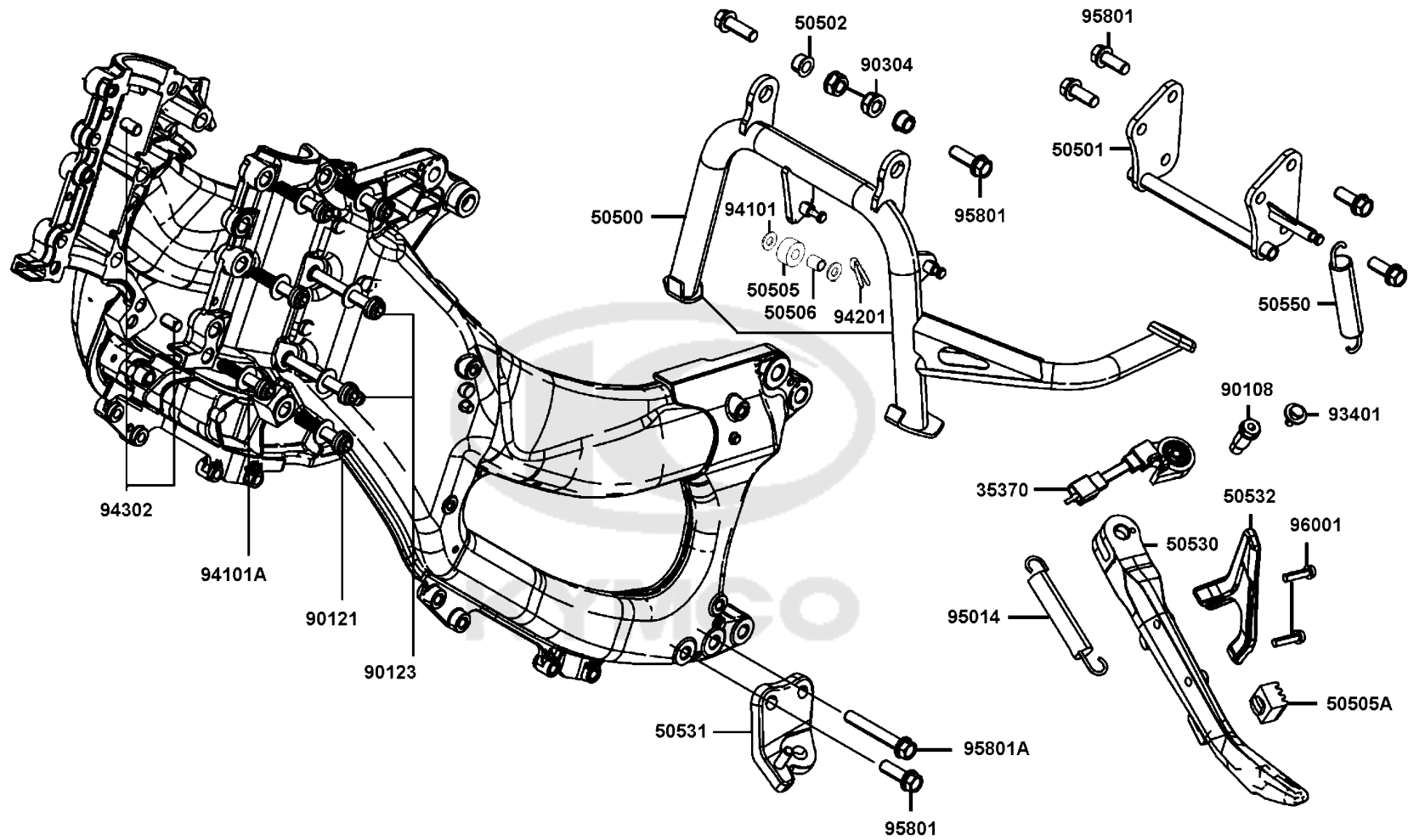
SOCKET BOLT 10X45

2



F15

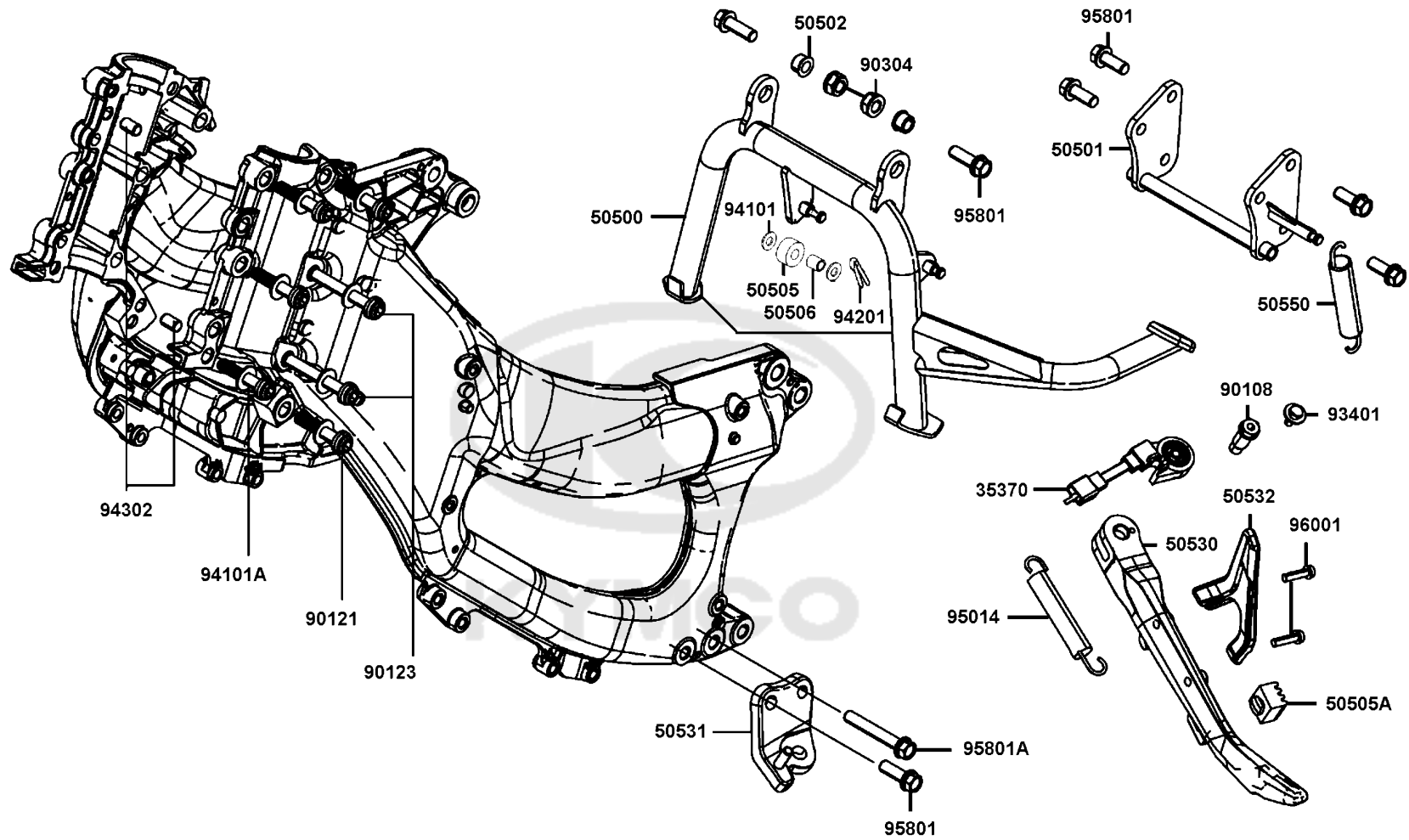
Fr Body FrameStand



Sales mark	Ref no	Part no	Description	Reg description	Regd no	F15
	35370	35370-ZZA6-E00	SW UNIT SIDE STAND	SW UNIT SIDE STAND	1	
	50500	50500-LGC6-E00	STAND COMP MAIN	STAND COMP MAIN	1	
	50501	50501-LGC6-E00	BRKT MAIN STAND	BRKT MAIN STAND	1	
	50502	50502-GFY6-901	COLLAR MAIN STAND	COLLAR MAIN STAND	2	
	50505	50505-LEA7-E00	STOPPER RUBBER	STOPPER RUBBER	1	
	50505A	50505-LKB9-900	RUBBER SIDE STAND	RUBBER SIDE STAND	1	
	50506	50506-KHE7-E00	COLLAR STOPPER RUBBER	COLLAR STOPPER RUBBER	1	
	50530	50530-LGC6-E00	STAND BARSIDE	STAND BARSIDE	1	
	50531	50531-LGC6-E00	BRKT.SIDE STAND	BRKT.SIDE STAND	1	
	50532	50532-LGC6-E00	KICK BAR SIDE STAND	KICK BAR SIDE STAND	1	
	50550	50550-KKC2-E00	SPG ASSY MAIN STAND	SPG ASSY MAIN STAND	1	
	90108	90108-LGC6-E00	SCREWSIDE STAND PINOT	SCREWSIDE STAND PINOT	1	
	90121	90121-LGC6-E00	BOLT FLANGE 10X50	BOLT FLANGE 10X50	2	
	90123	90123-LGC6-E00	BOLT FLANGE 10X95	BOLT FLANGE 10X95	2	
	90304	90304-LEA1-900	NUT U 10MM	NUT U 10MM	2	
	93401	93401-06020-07	BOLT WASHER 6*20	BOLT WASHER 6*20	1	
	94101	94101-08600	WASHER PLAIN 8MM	WASHER PLAIN 8MM	2	
	94101A	94101-10000	WASHER PLAIN 10MM	WASHER PLAIN 10MM	7	
	94201	94201-20180	PIN SPLIT 2.0*18	PIN SPLIT 2.0*18	1	
	94302	94302-10160	LOCK PIN	LOCK PIN	2	

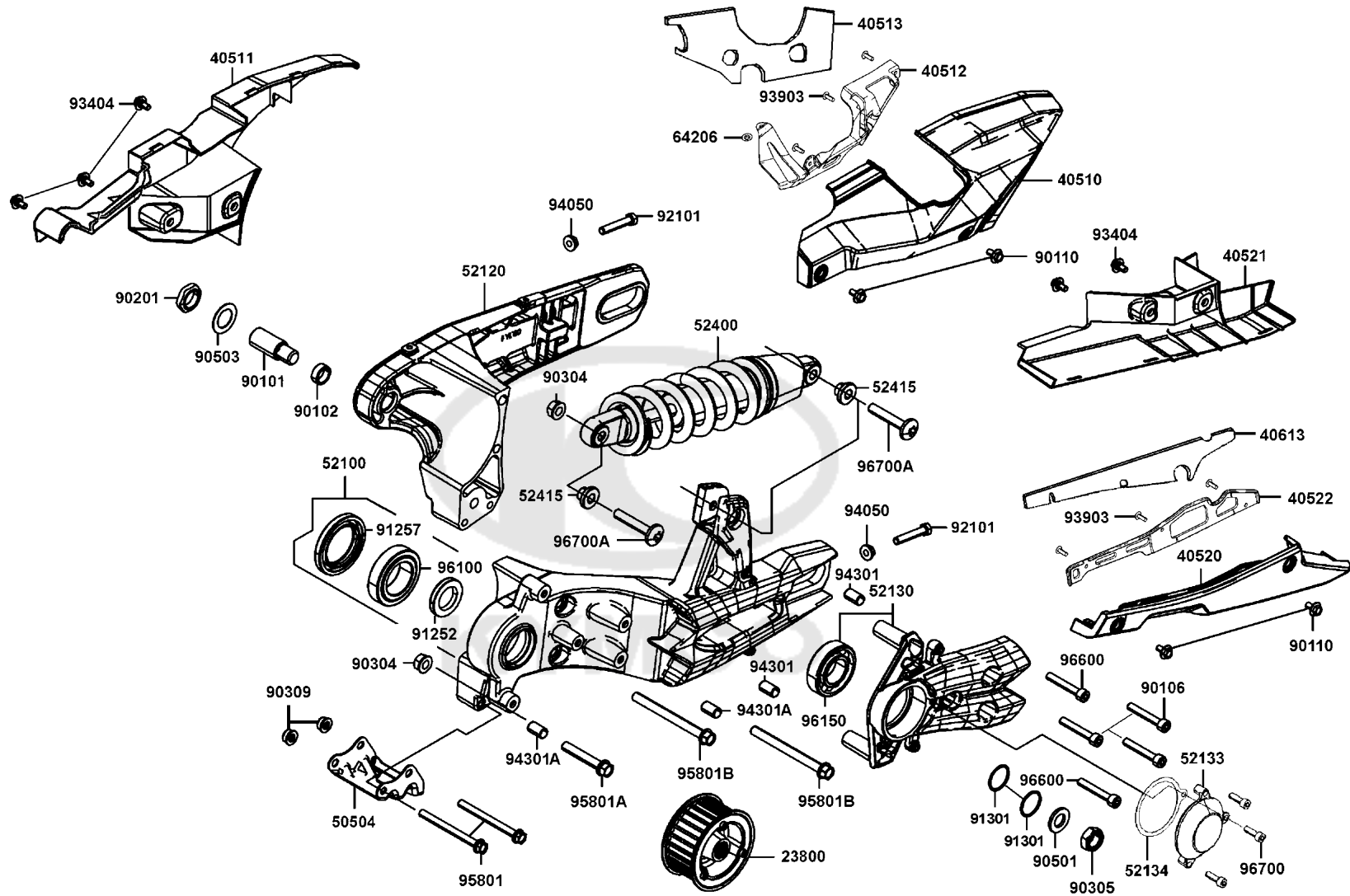
F15

Fr Body FrameStand

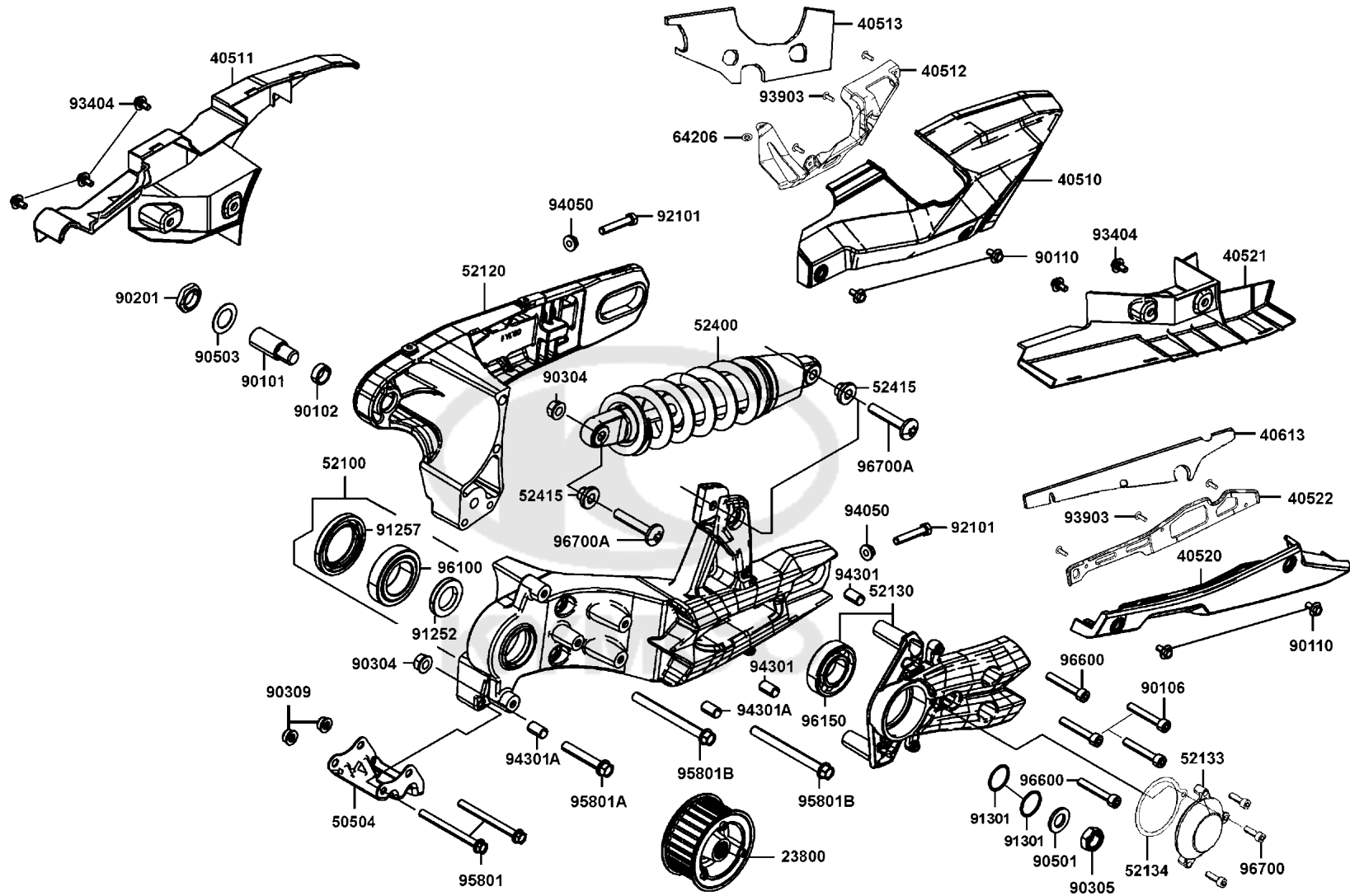


Sales mark	Ref no	Part no	Description	Reg description	Regd no	F15
95014	95014-72204	SPG B1 SIDE STAND	SPG B1 SIDE STAND	SPG B1 SIDE STAND	1	
95801	95801-10030-06	BOLT FLANGE 10*30	BOLT FLANGE 10*30	BOLT FLANGE 10*30	3	
95801A	95801-10065-06	BOLT FLANGE 10*65	BOLT FLANGE 10*65	BOLT FLANGE 10*65	1	
96001	96001-06022-06	BOLT FLANGE SH 6*22	BOLT FLANGE SH 6*22	BOLT FLANGE SH 6*22	2	

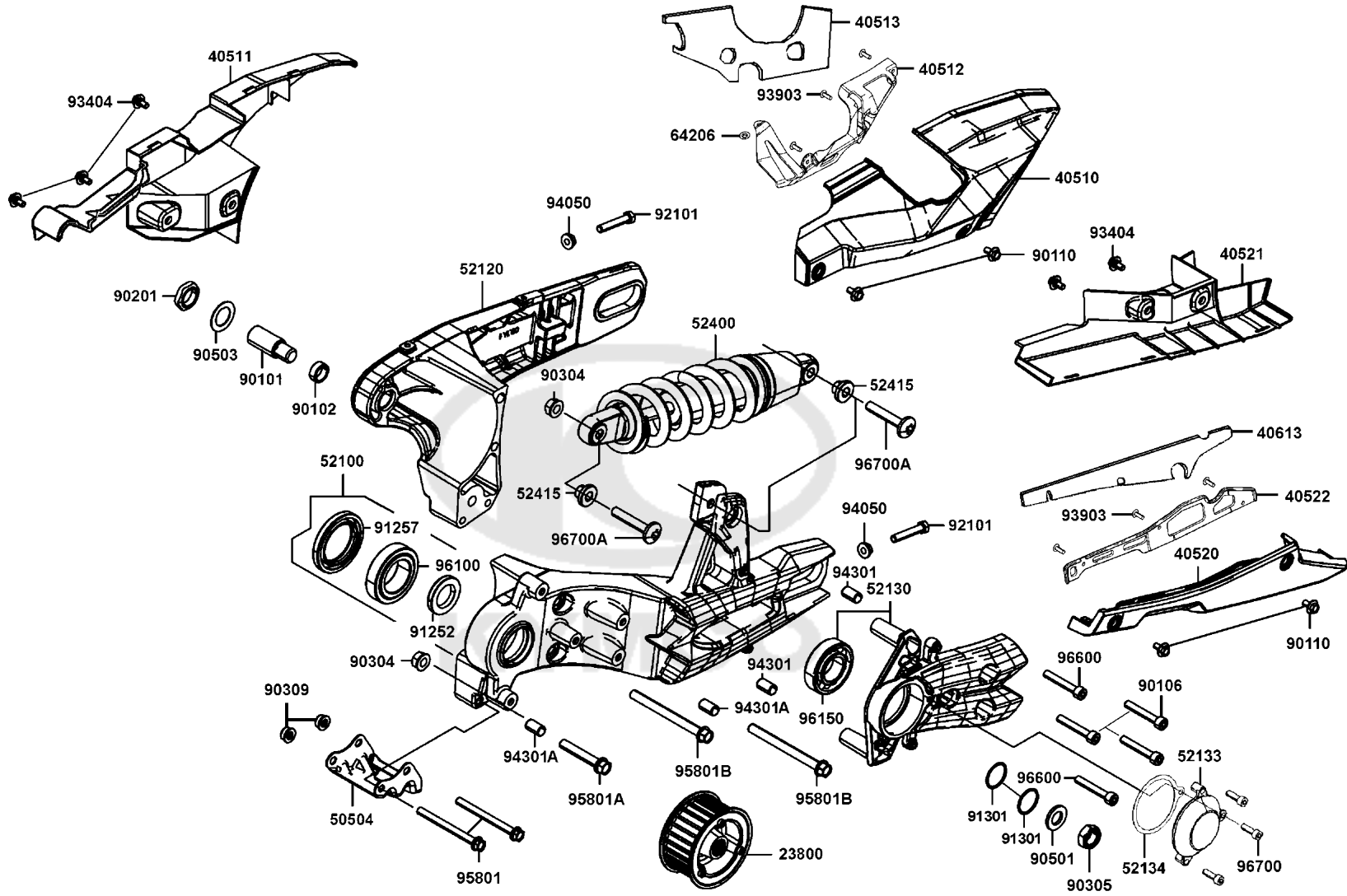




Sales mark	Ref no	Part no	Description	Reg description	Regd no	F16
	23800	23800-LGC6-E02	DRIVE ASSY TRANS BELT	DRIVE ASSY TRANS BELT	1	
**	40510	40510-LGC6-E00	COVER UP ACHAIN	COVER UP ACHAIN	1	
**	40511	40511-LGC6-E01	COVER UP B CHAIN	COVER UP B CHAIN	1	
	40512	40512-LGC6-E00	COVER UP C CHAIN	COVER UP C CHAIN	1	
	40513	40513-LGC6-E00	SPONGN	SPONGN	1	
**	40520	40520-LGC6-E00	COVER LOW A CHAIN	COVER LOW A CHAIN	1	
**	40521	40521-LGC6-E00	COVER LOW B CHAIN	COVER LOW B CHAIN	14	
	40522	40522-LGC6-E00	COVER LOW C CHAIN	COVER LOW C CHAIN	1	
	40613	40613-LGC6-E00	SPONGN	SPONGN	1	
	50504	50504-LGC6-E00	PLATE MAIN STAND TOPPER	PLATE MAIN STAND TOPPER	1	
**	52100	52100-LGC6-E01	FORK ASSY RR L/H	FORK ASSY RR L/H	1	
**	52120	52120-LGC6-E01	FORK CAST RR R/H	FORK CAST RR R/H	1	
**	52130	52130-LGC6-E00	HOLDER ASSY FINAL SHAFT	HOLDER ASSY FINAL SHAFT	1	
**	52133	52133-LGC6-E00	CAP FINAL SHAFT HOLDER	CAP FINAL SHAFT HOLDER	1	
	52134	52134-LGC6-E00	GASKET RR FORK CAP	GASKET RR FORK CAP	1	
**	52400	52400-LGC6-E00	CUSHION ASSY RR	CUSHION ASSY RR	1	
	52415	52415-LGC6-E00	COLLAR RR CUSHION	COLLAR RR CUSHION	2	
	64206	64206-MLJ0-001	NUT SPEED 4MM	NUT SPEED 4MM	1	
	90101	90101-LGC6-E00	AXLE RR SWING PIVOT	AXLE RR SWING PIVOT	1	
	90102	90102-LGC6-E00	COLLAR RR FORK PIVOT	COLLAR RR FORK PIVOT	1	



Sales mark	Ref no	Part no	Description	Reg description	Regd no	F16
90106		90106-LEC8-900	BOLT SPECIAL M8	BOLT SPECIAL M8	3	
90110		90110-KED9-900	SCREW PAN 6*18	SCREW PAN 6*18	4	
90201		90201-LGC6-E00	NUT STRG STEM	NUT STRG STEM	1	
90304		90304-LEA1-900	NUT U 10MM	NUT U 10MM	2	
90305		90305-KNBN-90B	NUT U 16MM	NUT U 16MM	1	
90309		90309-GLW0-90A	NUT U FLANGE 8MM	NUT U FLANGE 8MM	2	
90501		90501-KNBN-901	WASHER 16MM	WASHER 16MM	1	
90503		90503-0A51-870	WASHER STEERING STEM NUT	WASHER STEERING STEM NUT	1	
91252		91252-LGC6-E00	OIL SEAL 26.9X45X7	OIL SEAL 26.9X45X7	1	
91257		91257-LGC6-E00	OIL SEAL 48X72X8	OIL SEAL 48X72X8	1	
91301		91301-0H28-001	O RING 27*2	O RING 27*2	2	
92101		92101-LGC6-E00	BOLT FEX 8X45	BOLT FEX 8X45	2	
93404		93404-06012-06	BOLT WASHER 6X12	BOLT WASHER 6X12	4	
93903		93903-24360	SCREW TAPPING 4*12	SCREW TAPPING 4*12	6	
94050		94050-08020	NUT FLANGE 8MM	NUT FLANGE 8MM	2	
94301		94301-10160	DOWEL PIN 10*16	DOWEL PIN 10*16	2	
94301A		94301-12200	DOWEL PIN 12x20	DOWEL PIN 12x20	2	
95801		95801-08090-06	BOLT FLANGE 8*90	BOLT FLANGE 8*90	2	
95801A		95801-10060-06	BOLT FLANGE 10*60	BOLT FLANGE 10*60	1	
95801B		95801-10120-06	BOLT FLANGE 10*120 (G)	BOLT FLANGE 10*120 (G)	2	



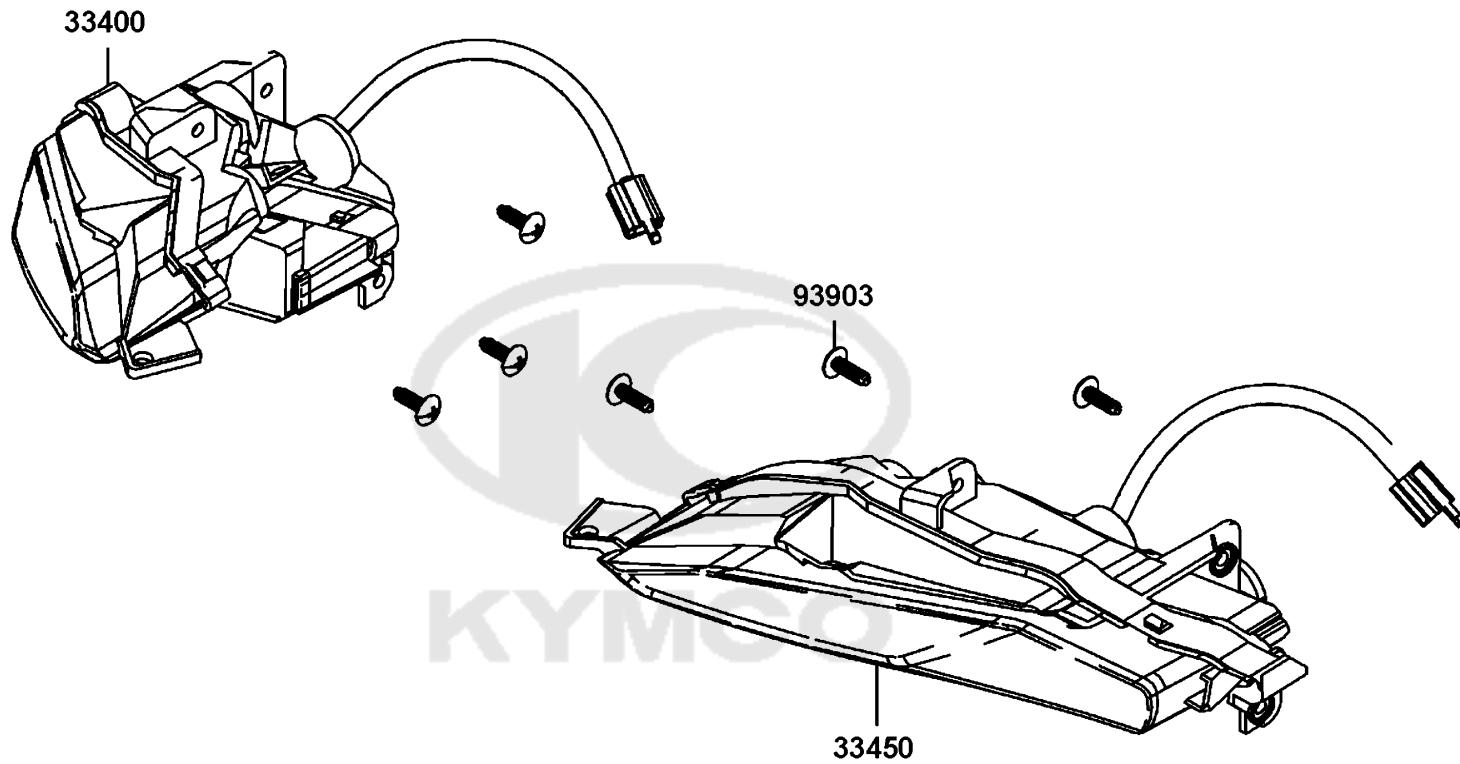
Sales mark	Ref no	Part no	Description	Reg description	Regd no	F16
------------	--------	---------	-------------	-----------------	---------	------------

96100	96100-LGC6-E00	96100-LGC6-E00	TAPPER BEARING 4T-32008X	TAPPER BEARING 4T-32008X	1	
96150	96150-62060-10	96150-62060-10	BEARING 6206UU	BEARING 6206UU	1	
96600	96600-08050-02	96600-08050-02	SCOKET BOLT 8X50	SCOKET BOLT 8X50	2	
96700	96700-06020-06	96700-06020-06	SOCKET BOLT 6X20	SOCKET BOLT 6X20	3	
96700A	96700-LGC6-E00	96700-LGC6-E00	SOCKET BOLT 10X58	SOCKET BOLT 10X58	2	



F17

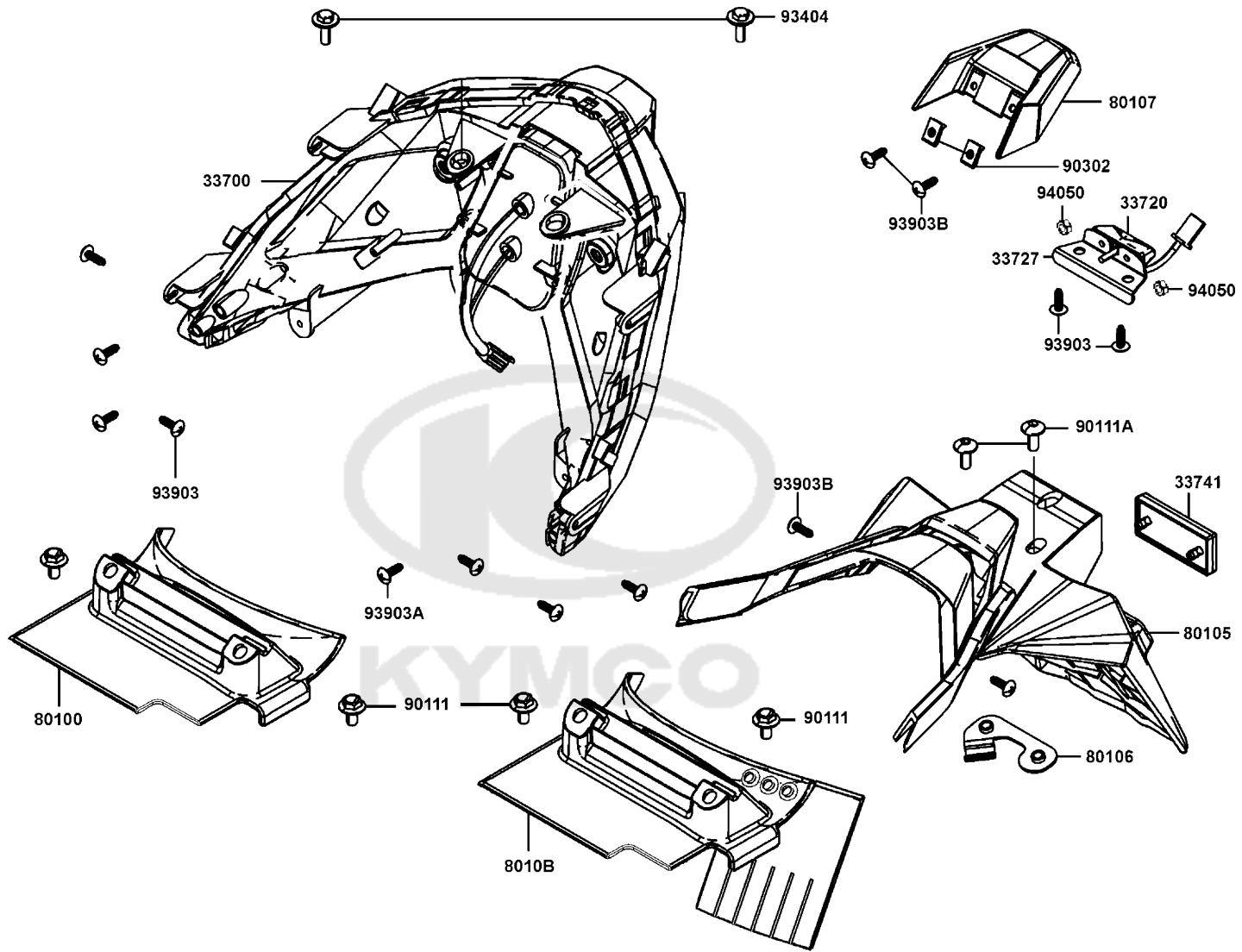
Front Winker RR WINKER



Sales mark	Ref no	Part no	Description	Reg description	Regd no	F17
------------	--------	---------	-------------	-----------------	---------	------------

33400		33400-LGC6-E00	WINKER ASSY.. R. FR	WINKER ASSY.. R. FR	1	
33450		33450-LGC6-E00	WINKER ASSY.. L. FR	WINKER ASSY.. L. FR	1	
93903		93903-35260	SCREW TAPPING 5*12	SCREW TAPPING 5*12	6	

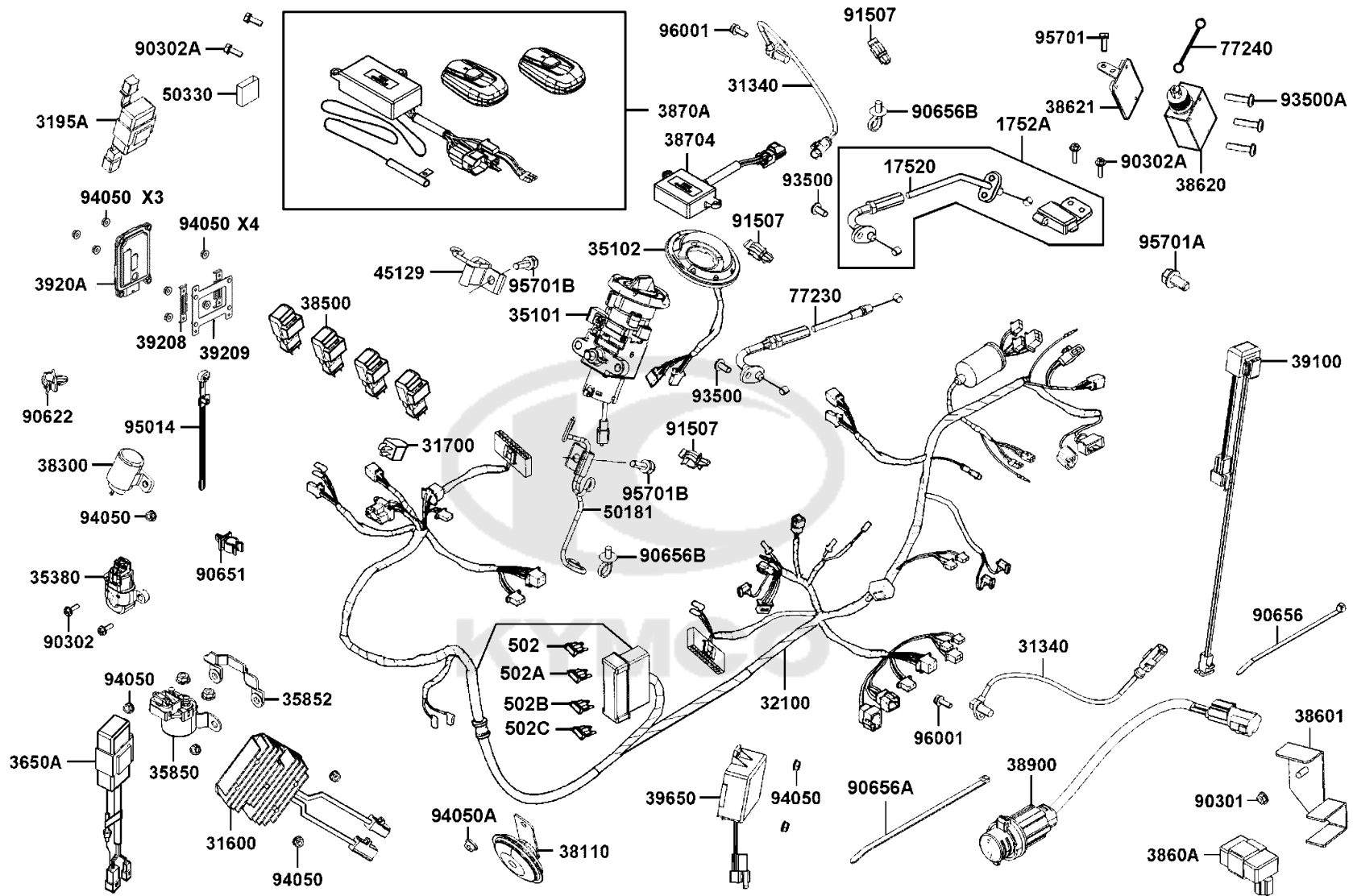




Sales mark	Ref no	Part no	Description	Reg description	Regd no	F18
	33700	33700-LGC6-E00	LIGHT ASSY.. RR. COMB.	LIGHT ASSY.. RR. COMB.	1	
	33720	33720-LGC6-305	LIGHT SET LICENSE	LIGHT SET LICENSE	1	
	33727	33727-LGC6-E00	STAY	STAY	1	
	33741	33741-ACH7-900	REFLEX REFLECTOR	REFLEX REFLECTOR	1	
**	80100	80100-LGC6-E00	FENDER RR TIRE	FENDER RR TIRE	1	
**	80105	80105-LGC6-E00	FENDER REAR	FENDER REAR	1	
	80106	80106-LGC6-E00	STAY RR.FENDER	STAY RR.FENDER	1	
**	80107	80107-LGC6-E00	COVER LICENSE LIGHT	COVER LICENSE LIGHT	0	
	90111	90111-LEB1-900	BOLT FLANGE 6X12	BOLT FLANGE 6X12	2	
	90111A	90111-LEC8-E00	SCREW PAN 6x14	SCREW PAN 6x14	2	
	90302	90302-SDA4-004	NUT SPRING 4MM	NUT SPRING 4MM	2	
	93404	93404-06012-06	BOLT WASHER 6X12	BOLT WASHER 6X12	2	
	93903	93903-24360	SCREW TAPPING 4*12	SCREW TAPPING 4*12	6	
	93903A	93903-GFY6-900	SCREW TAPPING 4*14	SCREW TAPPING 4*14	4	
	93903B	93903-LGC6-E01	SCREW TAPPING	SCREW TAPPING	4	
	94050	94050-LHJ3-900	NUT M4*0.7	NUT M4*0.7	2	

F19

Wire Harness

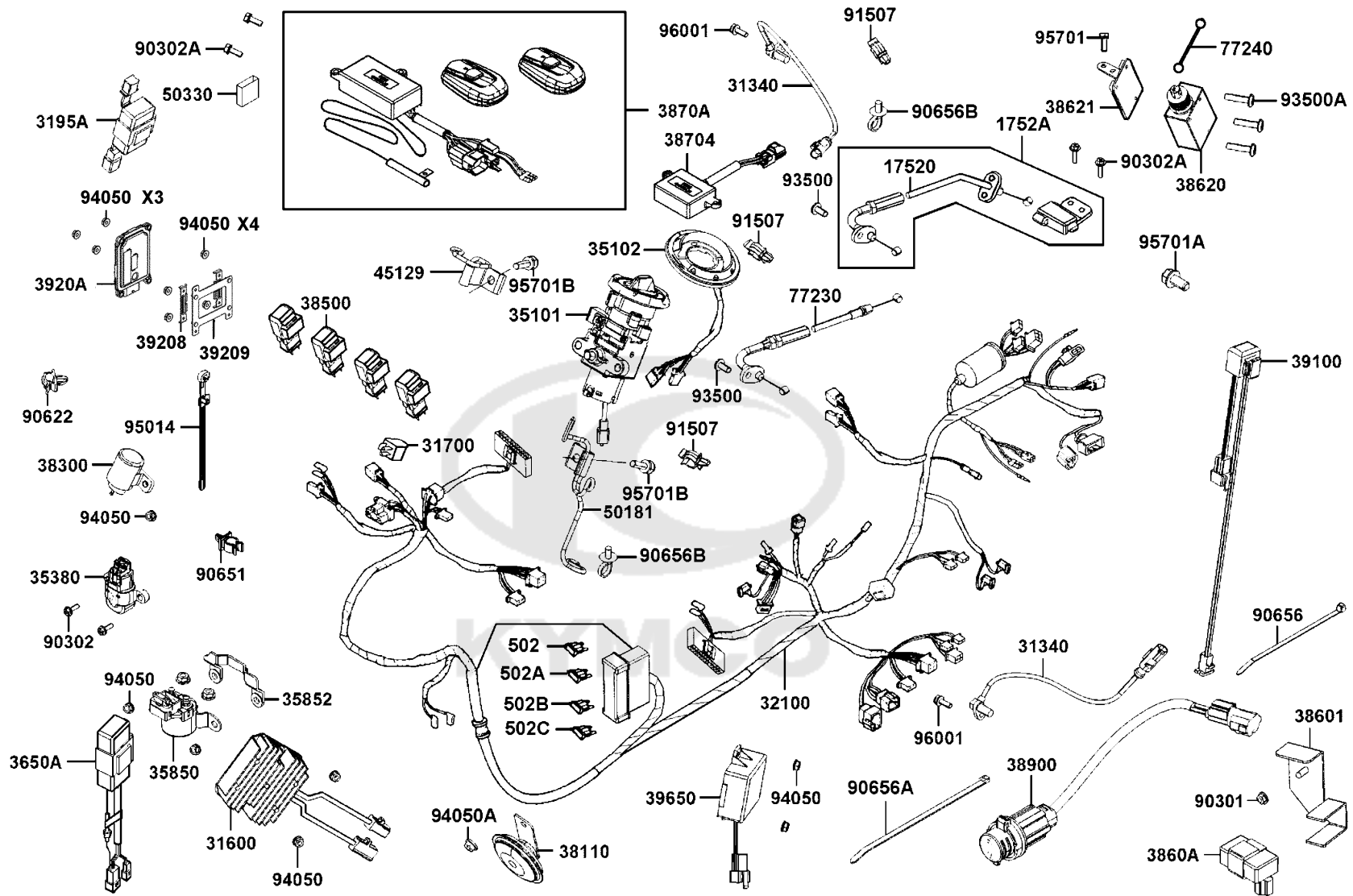


Sales mark	Ref no	Part no	Description	Reg description	Regd no	F19
	17520	17520-LGC6-E00	CABLE COMP FUEL CAP	CABLE COMP FUEL CAP	1	
	1752A	1752A-LGC6-E00	CABLE ASSY FUEL CAP	CABLE ASSY FUEL CAP	1	
	31340	31340-LEA7-E00	SENSOR FR WHEEL SPEED	SENSOR FR WHEEL SPEED	1	
	31600	31600-LKF5-E00	REG REC COMP	REG REC COMP	1	
	31700	31700-KEC8-E00	RECTIFIER COMP DIODE	RECTIFIER COMP DIODE	1	
	3195A	3195A-LBA7-E00	HAZARD CONTROL ASSY	HAZARD CONTROL ASSY	0	
	32100	32100-LGC6-EZ5	HARNES WIRE	HARNES WIRE	1	
	35101	35101-LGC6-315	KEY SET LOCK & COMB	KEY SET LOCK & COMB	1	
	35102	35102-LGC6-315	COLLAR MAIN SW	COLLAR MAIN SW	1	
	35380	35380-LEA2-900	SENSOR ANGLE DETECT	SENSOR ANGLE DETECT	1	
	35850	35850-LGC6-E00	SET START MAG	SET START MAG	1	
**	35852	35852-LGC6-E00	ISOLATED PLATE	ISOLATED PLATE	1	
	3650A	3650A-LGC6-E00	DRIVER ASS Y HEATED GRIP	DRIVER ASS Y HEATED GRIP	1	
	38110	38110-KKC3-90B	HORN COMP	HORN COMP	1	
	38300	38300-KKE5-E00	RELAY COMP. WINKER	RELAY COMP. WINKER	1	
	38500	38500-LGL3-90A	RELAY ASSY LIGHT	RELAY ASSY LIGHT	1	
	38601	38601-LGC6-E00	STAY LIGHT CONTROLLER	STAY LIGHT CONTROLLER	1	
	3860A	3860A-LGC6-E00	CONTROLLER ASS Y HEAD LIGHT	CONTROLLER ASS Y HEAD LIGHT	1	
	38620	38620-LGC6-E00	LINEAR MOTOR ASS'Y	LINEAR MOTOR ASS'Y	1	
	38621	38621-LGC6-E00	STAY LINEAR MOTOR	STAY LINEAR MOTOR	1	

Sales mark	Ref no	Part no	Description	Reg description	Regd no	F19
38704		38704-LGC6-E00	ANTENNA COMP.	ANTENNA COMP.	1	
3870A		3870A-LGC6-E00	KEYLESS ASSY	KEYLESS ASSY	1	
38900		38900-ACD5-E00	CONTROLLER USB CHARGER	CONTROLLER USB CHARGER	1	
39100		39100-LGC6-E00	EMI FILTER. FAN MOTOR	EMI FILTER. FAN MOTOR	1	
39208		39208-AKC3-EZ5	HOLDER M4C ECU	HOLDER M4C ECU	1	
39209		39209-AKC3-EZ5	STAY ECU	STAY ECU	1	
3920A		3920A-LGC6-EZ5	ASSY ECU (39KW) M4C	ASSY ECU (39KW) M4C	1	
39650		39650-LGC6-E00	CONTROL UNIT. TIRE PRESURE	CONTROL UNIT. TIRE PRESURE	1	
45129		45129-LGC6-E00	CLIP BRAKE CABLE	CLIP BRAKE CABLE	1	
50181		50181-LGC6-E00	CLIPTHROD CABLE	CLIPTHROD CABLE	1	
502		502-00149	BLADE FUSE MINI 15A	BLADE FUSE MINI 15A	4	
502A		502-00151	BLADE FUSE MINI 10A	BLADE FUSE MINI 10A	3	
502B		502-00155	BLADE FUSE MINI 25A	BLADE FUSE MINI 25A	2	
502C		502-00164	BLADE FUSE MINI 5A	BLADE FUSE MINI 5A	2	
50330		50330-LKF5-E00	SPONGE BATTERY CASE	SPONGE BATTERY CASE	1	
77230		77230-LGC6-E00	CABLE ASSY FR INNER BOX LOCK	CABLE ASSY FR INNER BOX LOCK	1	
77240		77240-LGC6-E01	CABLE ASSY SEAT LOCK	CABLE ASSY SEAT LOCK	2	
90301		90301-6D34-671	NUT FLANGE 6MM	NUT FLANGE 6MM	1	
90302		90302-GFY6-940	BOLT-WASH 5*16	BOLT-WASH 5*16	2	
90302A		90302-LLB1-E00	BOLT-WASH 5X12	BOLT-WASH 5X12	2	

F19

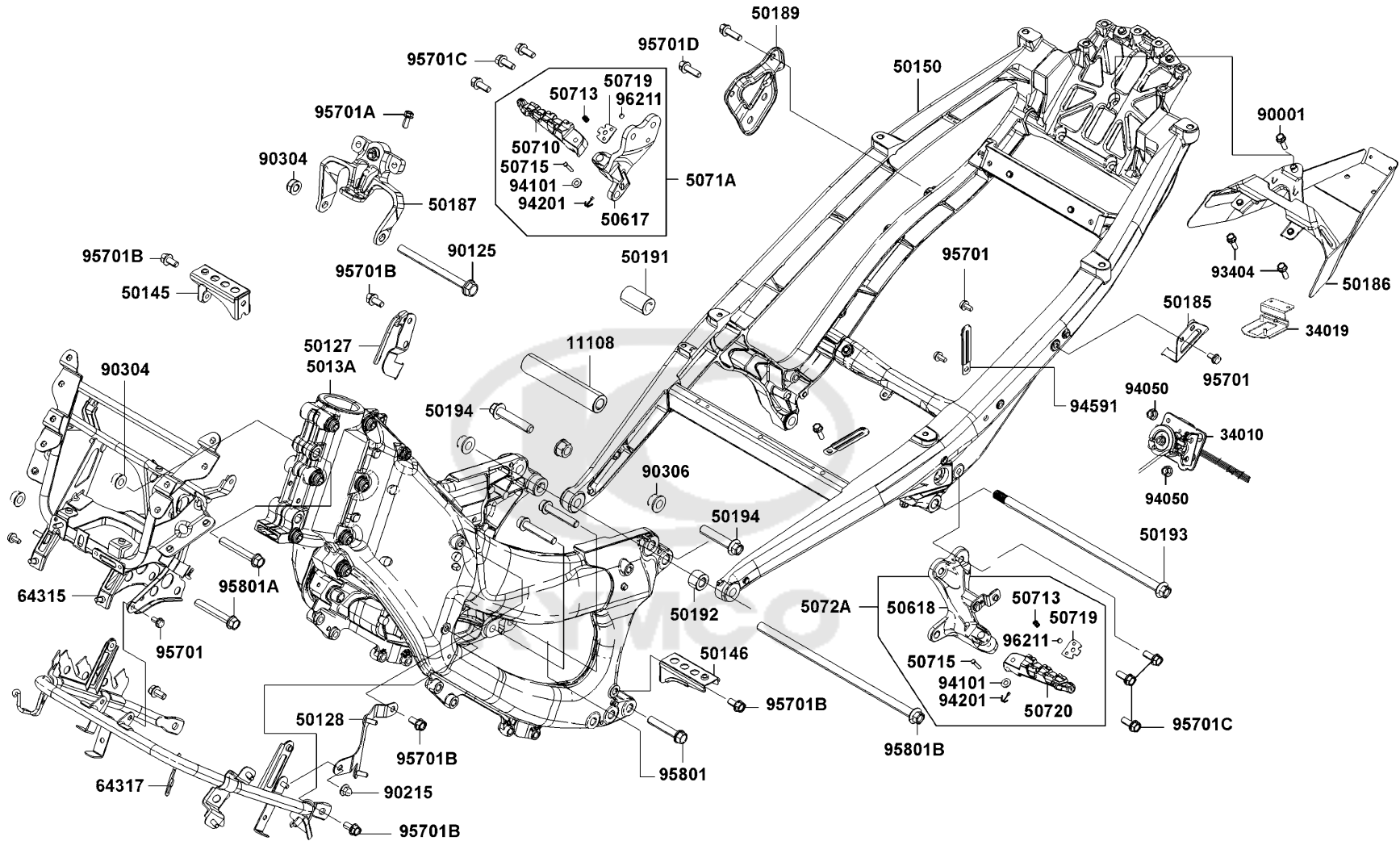
Wire Harness



Sales mark	Ref no	Part no	Description	Reg description	Regd no	F19
	90622	90622-LHJ8-900	CLAMP	CLAMP	1	
	90651	90651-ALH3-700	CLIP WIREE HARN	CLIP WIREE HARN	1	
	90656	90656-KCBC-900	BAND OIL HANDLE 8*146	BAND OIL HANDLE 8*146	11	
**	90656A	90656-KUDU-900	BAND HARNESS WIRE 8*216	BAND HARNESS WIRE 8*216	1	
	90656B	90656-ZVA6-M00	CABLE STRAP	CABLE STRAP	4	
	91507	91507-LKE6-900	CLIP	CLIP	3	
	93500	93500-KHC4-90A	SCREW PAN 5*10	SCREW PAN 5*10	4	
	93500A	93500-LGC6-E00	SCREW PAN 4X40	SCREW PAN 4X40	3	
	94050	94050-06060	NUT FLANGE 6MM	NUT FLANGE 6MM	10	
	94050A	94050-08060	NUT FLANGE 8MM	NUT FLANGE 8MM	1	
	95014	95014-PRB3-900	STRAP CABLE	STRAP CABLE	5	
	95701	95701-06012-06	BOLT FLANGE 6*12	BOLT FLANGE 6*12	1	
	95701A	95701-08012-06	BOLT FLANGE 8*12	BOLT FLANGE 8*12	1	
	95701B	95701-LEA5-E00	BOLT TORQUE 8X25	BOLT TORQUE 8X25	2	
	96001	96001-06012-06	BOLT FLANGE SH 6*12	BOLT FLANGE SH 6*12	2	

F20

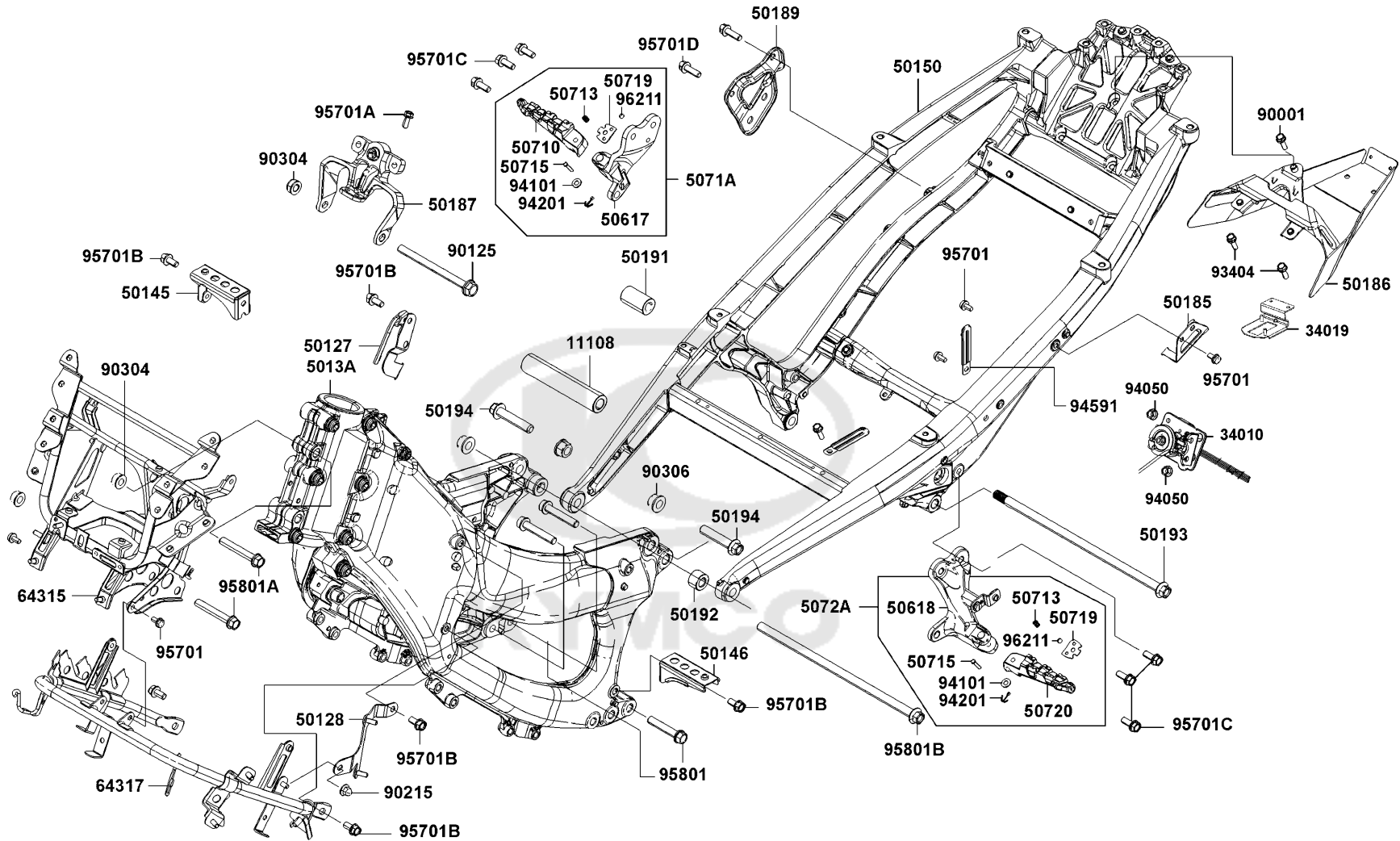
Frame Body



Sales mark	Ref no	Part no	Description	Reg description	Regd no	F20
11108		11108-LGC6-E00	HOLDER. STATOR WIRE	HOLDER. STATOR WIRE	1	
34010		34010-AKB8-E00	THROTTLE CONTROL, GRIP	THROTTLE CONTROL, GRIP	1	
34019		34019-AKB8-E00	STAY,GRIP POSITION DETECTO	STAY,GRIP POSITION DETECTO	1	
50127		50127-LGC6-E00	STAY KEYLESS CASE	STAY KEYLESS CASE	1	
50128		50128-AKB8-E00	STAY,TPM & HEATED GRIP	STAY,TPM & HEATED GRIP CONTROLLER	1	
5013A		5013A-LGC6-E00	BODY ASSY. FR FRAME	BODY ASSY. FR FRAME	1	
50145		50145-LGC6-E00	RR. STAY R FLOOR PANEL	RR. STAY R FLOOR PANEL	1	
50146		50146-LGC6-E00	RR. STAY L FLOOR PANEL	RR. STAY L FLOOR PANEL	1	
50150		50150-LGC6-E00	BODY ASSY.RR FRAME	BODY ASSY.RR FRAME	1	
50185		50185-LGC6-E00	STAY CANISTER	STAY CANISTER	1	
50186		50186-LGC6-E00	STAY RR FENDER	STAY RR FENDER	1	
50187		50187-LGC6-E00	STAY MAIN SW.	STAY MAIN SW.	1	
50189		50189-LGC6-E00	BRKT MUFFLER	BRKT MUFFLER	1	
50191		50191-LGC6-E00	COLLAR R RR ENG MOUNTING	COLLAR R RR ENG MOUNTING	1	
50192		50192-LGC6-E00	COLLAR L FR ENG MOUNTING	COLLAR L FR ENG MOUNTING	1	
50193		50193-LGC6-E00	BOLT FLANGE 12X315	BOLT FLANGE 12X315	1	
50194		50194-LGC6-E00	BOLT FLANGE 12X60	BOLT FLANGE 12X60	1	
50617		50617-LGC6-E00	BRKT R PILLION STEP	BRKT R PILLION STEP	1	
50618		50618-LGC6-E00	BRKT L PILLION STEP	BRKT L PILLION STEP	1	
50710		50710-LGC6-E00	BAR R PILLION STEP	BAR R PILLION STEP	1	

F20

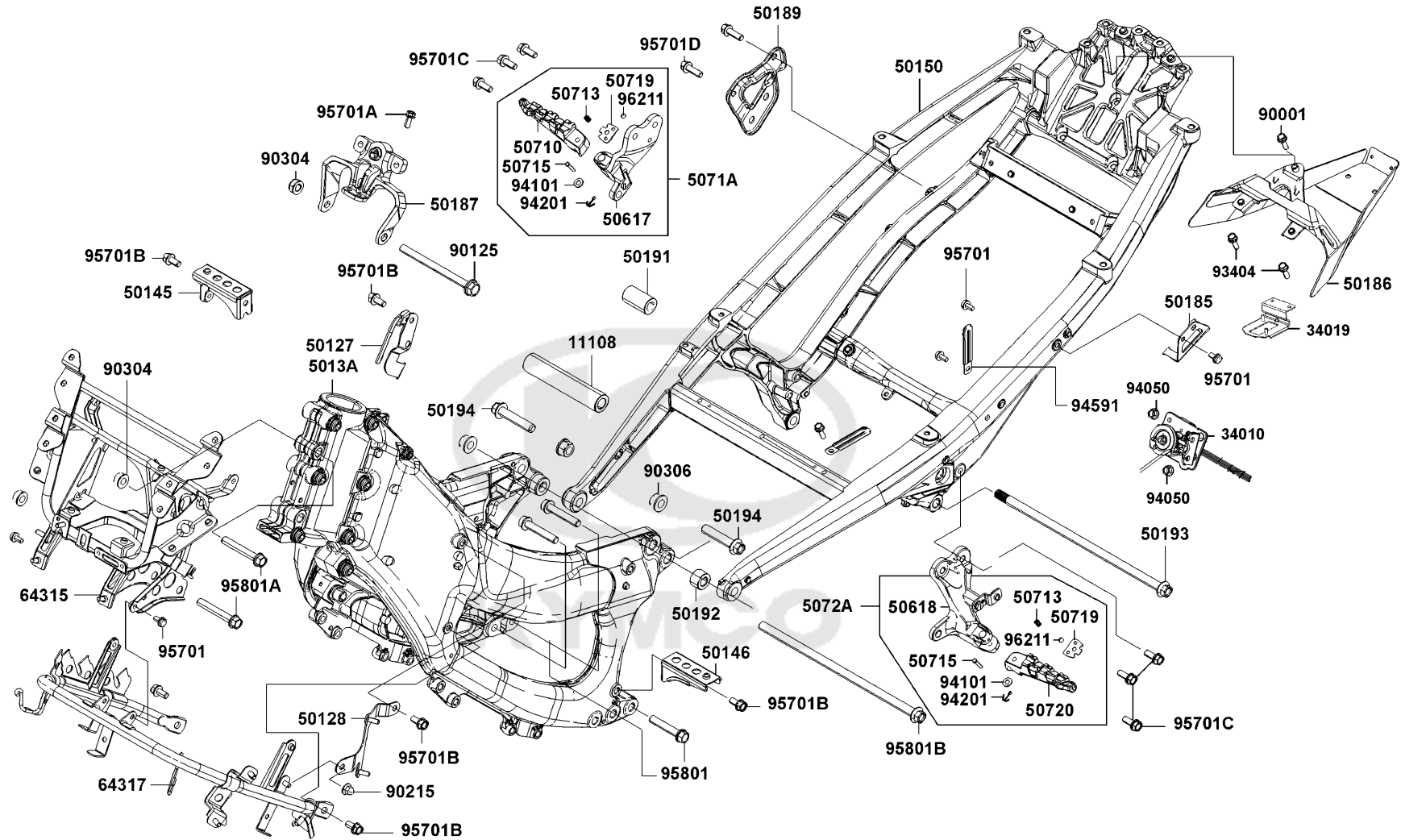
Frame Body



Sales mark	Ref no	Part no	Description	Reg description	Regd no	F20
	50713	50713-KEB7-900	SPRING	SPRING	1	
	50715	50715-KKAK-900	PIN RR STEP	PIN RR STEP	2	
	50719	50719-LGC6-E00	PLATE PILLION STEP	PLATE PILLION STEP	2	
	5071A	5071A-LGC6-E00	BAR ASSY. R PILLION STEP	BAR ASSY. R PILLION STEP	1	
	50720	50720-LGC6-E00	BAR L PILLION STEP	BAR L PILLION STEP	1	
	5072A	5072A-LGC6-E00	BAR ASSY. L PILLION STEP	BAR ASSY. L PILLION STEP	1	
	64315	64315-AKB8-E00	BRKT FR COVER	BRKT FR COVER	1	
	64317	64317-LGC6-E00	UNDER PIPE FR COVER BRKT.	UNDER PIPE FR COVER BRKT.	1	
	90001	90001-GBHB-661	BOLT FLANGE SHF 6*22	BOLT FLANGE SHF 6*22	3	
	90125	90125-LGC6-E00	BOLT FLANGE 10X130	BOLT FLANGE 10X130	1	
	90215	90215-KKC4-900	NUT CAP 6MM(CR)	NUT CAP 6MM(CR)	1	
	90304	90304-LEA1-900	NUT U 10MM	NUT U 10MM	3	
	90306	90306-LFE2-900	NUT FLANGE 12MM	NUT FLANGE 12MM	4	
	93404	93404-LLF5-910	BOLT WASHER 6X12	BOLT WASHER 6X12	2	
	94050	94050-06060	NUT FLANGE 6MM	NUT FLANGE 6MM	2	
	94101	94101-06000	WASHER PLAIN 6MM	WASHER PLAIN 6MM	2	
	94201	94201-20180	PIN SPLIT 2.0*18	PIN SPLIT 2.0*18	2	
	94591	94591-LGC6-E00	CLIP 2 X 70	CLIP 2 X 70	1	
	95701	95701-06012-06	BOLT FLANGE 6*12	BOLT FLANGE 6*12	3	
	95701A	95701-06016-06	BOLT FLANGE 6*16	BOLT FLANGE 6*16	1	

F20

Frame Body

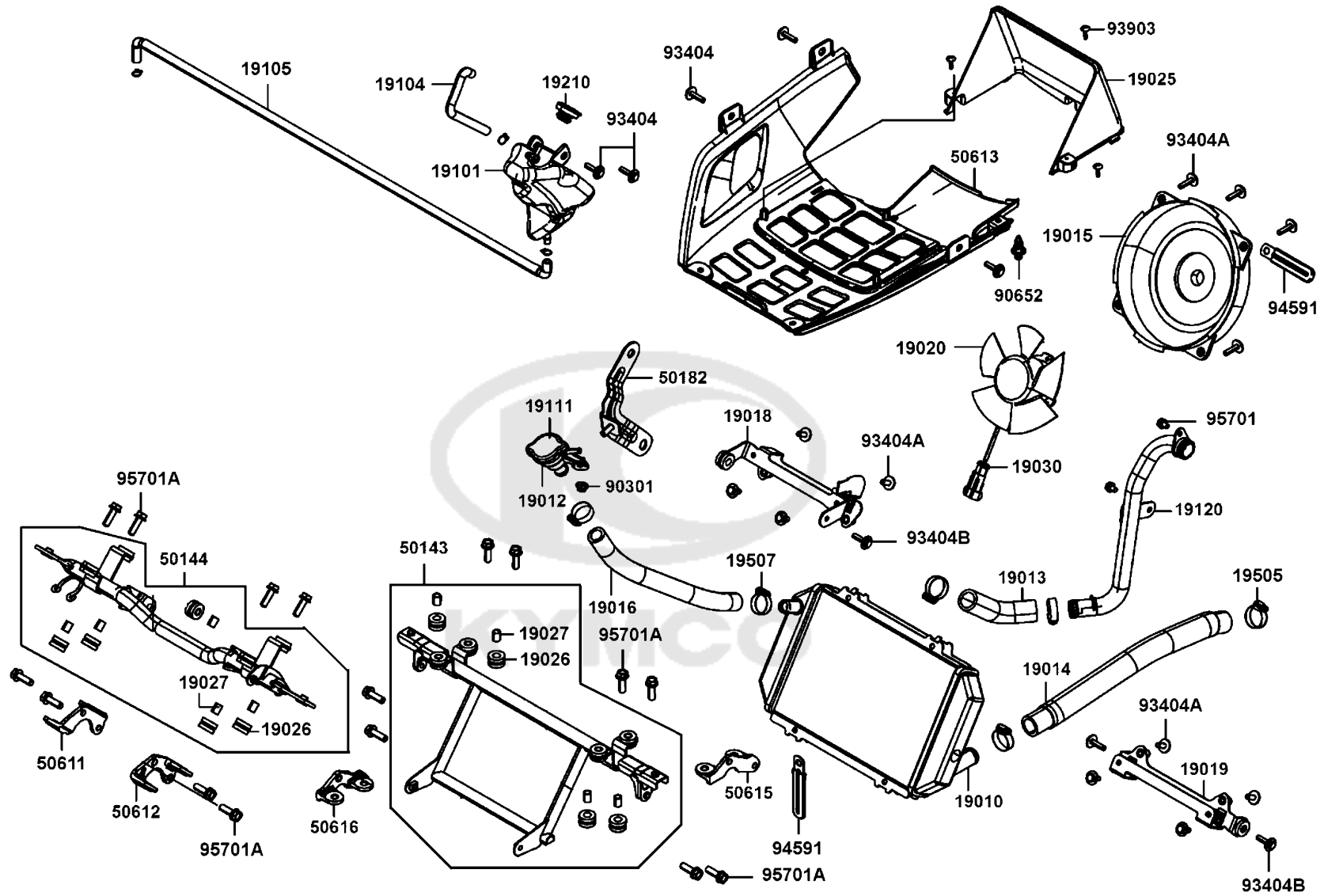


Sales mark	Ref no	Part no	Description	Reg description	Regd no	F20
95701B	95701-08016-06	95701-08016-06	BOLT FLANGE 8*16	BOLT FLANGE 8*16	6	
95701C	95701-08020-06	95701-08020-06	BOLT FLANGE 8*20	BOLT FLANGE 8*20	6	
95701D	95701-08025-06	95701-08025-06	BOLT FLANGE 8*25	BOLT FLANGE 8*25	2	
95801	95801-10055-06	95801-10055-06	BOLT FLANGE 10*55	BOLT FLANGE 10*55	3	
95801A	95801-10065-06	95801-10065-06	BOLT FLANGE 10*65	BOLT FLANGE 10*65	2	
95801B	95801-12295-06	95801-12295-06	BOLT FLANGE 12X295	BOLT FLANGE 12X295	1	
96211	96211-08000	96211-08000	BALL STEEL 8	BALL STEEL 8	2	



F21

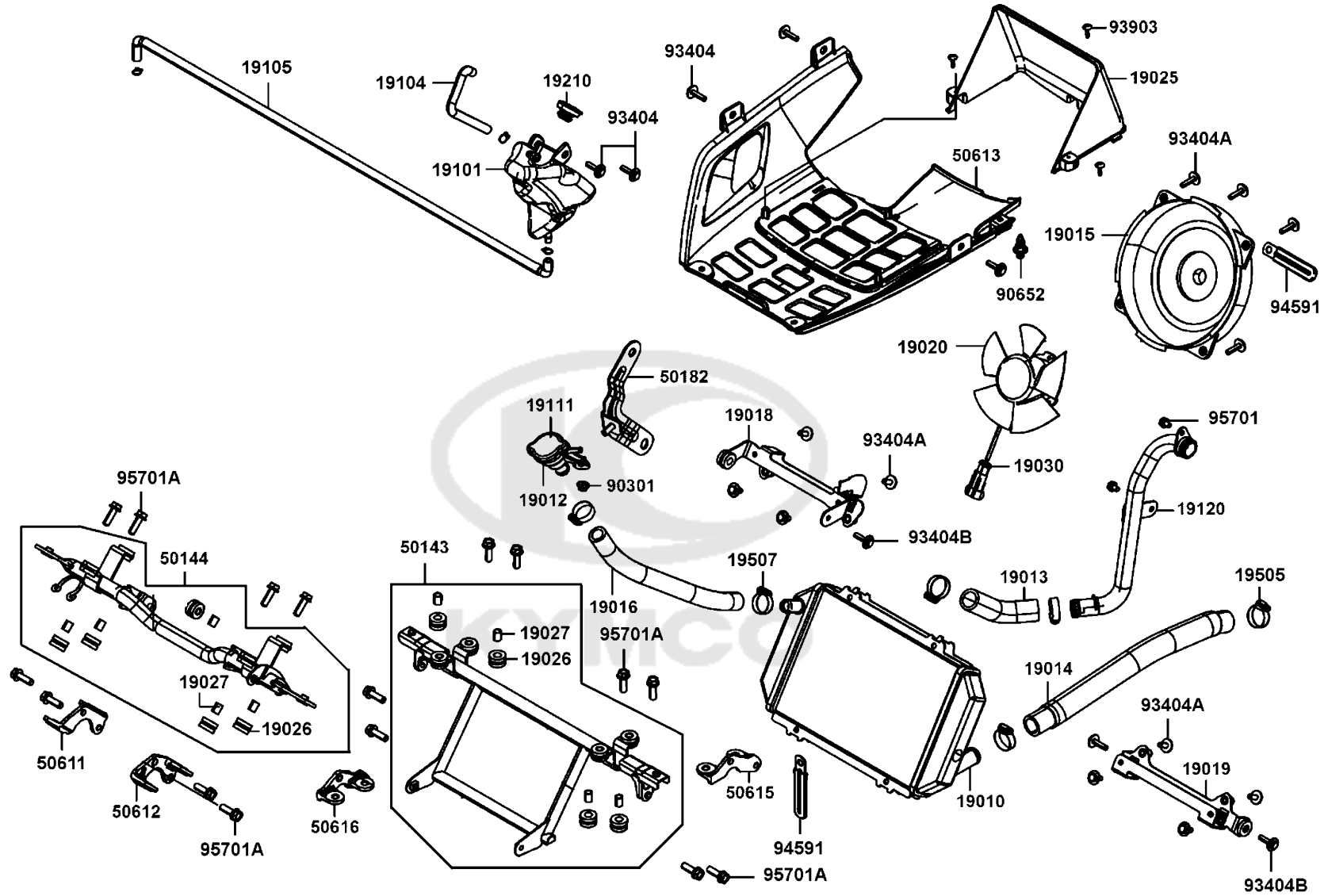
Radiator



Sales mark	Ref no	Part no	Description	Reg description	Regd no	F21
	19010	19010-LGC6-E00	RADIATOR COMP	RADIATOR COMP	1	
	19012	19012-LEA7-E05	UNIT RADIATOR	UNIT RADIATOR	1	
	19013	19013-LGC6-E00	HOSE WATER INLET	HOSE WATER INLET	1	
	19014	19014-LGC6-E00	HOSE WATER OUTLET	HOSE WATER OUTLET	1	
	19015	19015-LBA2-E00	SHROUD COMP	SHROUD COMP	1	
	19016	19016-LGC6-E00	HOSE WATER-UNIT CAP	HOSE WATER-UNIT CAP	1	
	19018	19018-LGC6-E00	HOLDER UPPER RADIATOR	HOLDER UPPER RADIATOR	1	
	19019	19019-LGC6-E00	HOLDER LOWER RADIATOR	HOLDER LOWER RADIATOR	1	
	19020	19020-LBA2-E00	FAN COOLING	FAN COOLING	1	
**	19025	19025-LGC6-E00	COVERRADIATOR	COVERRADIATOR	1	
	19026	19026-LKF5-E00	DAMPING RUBBER RADIATOR	DAMPING RUBBER RADIATOR	9	
	19027	19027-LKF5-E00	COLLAR RADIATOR	COLLAR RADIATOR	9	
	19030	19030-LDB5-E00	MOTOR ASSY FAN	MOTOR ASSY FAN	1	
	19101	19101-LGC6-E00	TANK RESERVE	TANK RESERVE	1	
	19104	19104-ACD5-E00	HOSE ASSY DRAIN	HOSE ASSY DRAIN	1	
	19105	19105-LGC6-E00	HOSE ASSYRESERVE TANK-PRESSURE	HOSE ASSYRESERVE TANK-PRESSURE	1	
	19111	19111-PRB3-900	CAP COMP RADIATOR	CAP COMP RADIATOR	1	
	19120	19120-LGC6-E00	PIPE WATER INLET	PIPE WATER INLET	1	
	19210	19210-KKC4-900	CAP RESERVE TANK	CAP RESERVE TANK	1	
	19505	19505-LBA2-E00	CLAMP WATER HOSE	CLAMP WATER HOSE	4	

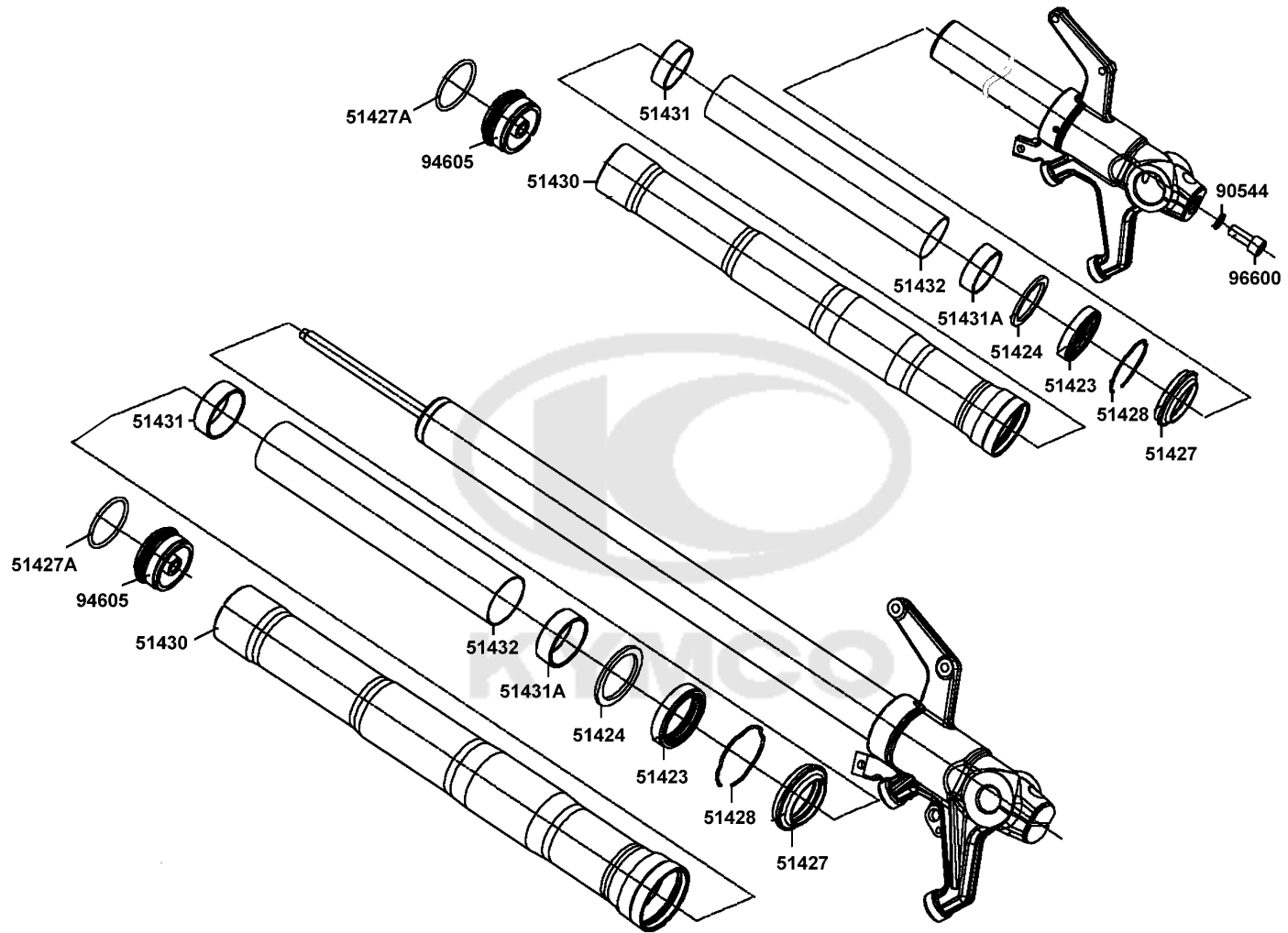
F21

Radiator



Sales mark	Ref no	Part no	Description	Reg description	Regd no	F21
	19507	19507-LDB5-E00	CLAMP D28	CLAMP D28	2	
	50143	50143-LGC6-E00	BRKT RADIATOR	BRKT RADIATOR	1	
	50144	50144-LGC6-E00	FR. STAY FLOOR PANEL	FR. STAY FLOOR PANEL	1	
	50182	50182-LGC6-E00	STAY SUPT FILLER NECK	STAY SUPT FILLER NECK	1	
	50611	50611-LGC6-E00	FR. BRKT R FLOOR PANEL	FR. BRKT R FLOOR PANEL	1	
	50612	50612-LGC6-E00	FR. BRKT L FLOOR PANEL	FR. BRKT L FLOOR PANEL	1	
**	50613	50613-LGC6-E00	COVER UNDER	COVER UNDER	1	
	50615	50615-LGC6-E00	CENTER BRKT R FLOOR PANEL	CENTER BRKT R FLOOR PANEL	1	
	50616	50616-LGC6-E00	CENTER BRKT L FLOOR PANEL	CENTER BRKT L FLOOR PANEL	1	
	90301	90301-6D34-671	NUT FLANGE 6MM	NUT FLANGE 6MM	1	
	90652	90652-LFB5-900	CLIP MUDGUARD	CLIP MUDGUARD	1	
	93404	93404-06012-06	BOLT WASHER 6X12	BOLT WASHER 6X12	5	
	93404A	93404-06016-06	BOLT WASHER 6*16	BOLT WASHER 6*16	12	
	93404B	93404-06025-06	BOLT WASHER 6*25	BOLT WASHER 6*25	3	
	93903	93903-24360	SCREW TAPPING 4*12	SCREW TAPPING 4*12	3	
	94591	94591-LLB1-900	CLIP 2X100	CLIP 2X100	1	
	95701	95701-06012-06	BOLT FLANGE 6*12	BOLT FLANGE 6*12	2	
	95701A	95701-08025-06	BOLT FLANGE 8*25	BOLT FLANGE 8*25	16	

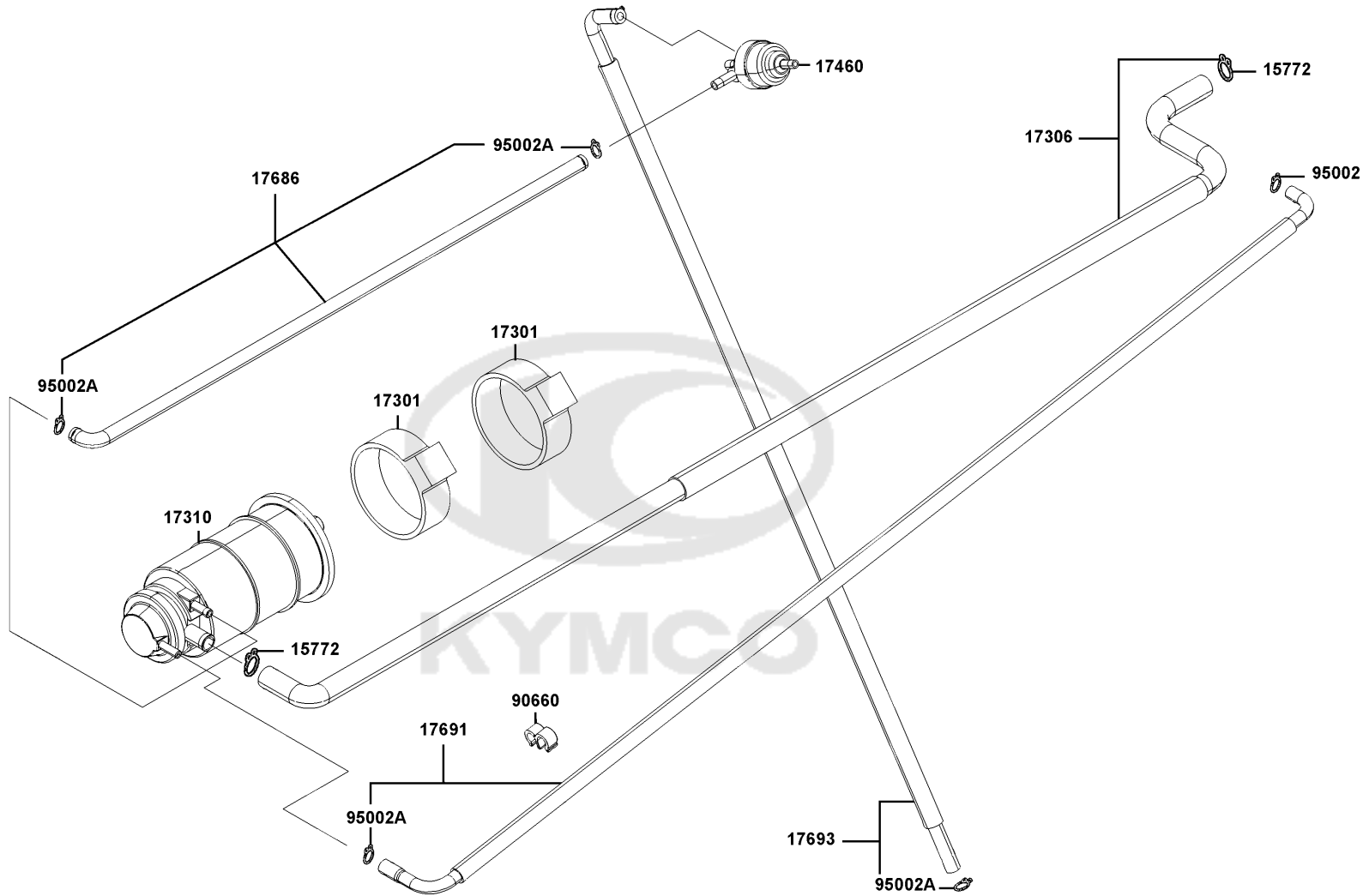
Separated Parts Of Fr Fork



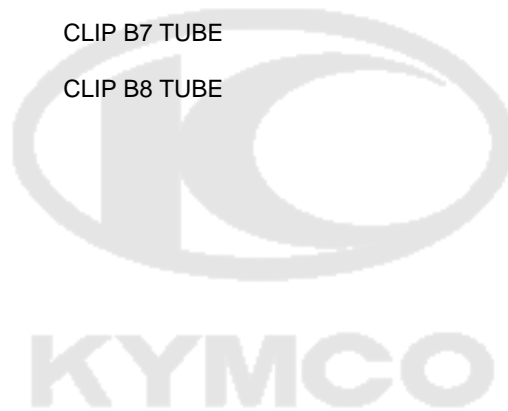
Sales mark	Ref no	Part no	Description	Reg description	Regd no	F22
51423		51423-KED9-900	OIL SEAL	OIL SEAL	1	
51424		51424-KED9-900	SPACER	SPACER	1	
51427A		51427-LGC6-E00	O-RING	O-RING	1	
51427		51427-LGC6-E02	DUST SEAL	DUST SEAL	1	
51428		51428-KED9-900	OIL SEAL STOPPER RING	OIL SEAL STOPPER RING	1	
51430		51430-LGC6-E00	OUTER TUBE	OUTER TUBE	1	
51431		51431-KED9-900	GUIDE BUSH	GUIDE BUSH	1	
51431A		51431-LGC6-E00	GUIDE BUSH	GUIDE BUSH	1	
51432		51432-LGC6-E00	DIST COLLAR	DIST COLLAR	1	
90544		90544-KEC8-900	PACKING	PACKING	1	
94605		94605-LGC6-E00	FORK BOLT	FORK BOLT	2	
96600		96600-LKF5-E00	BOLT	BOLT	1	

F23

Canister

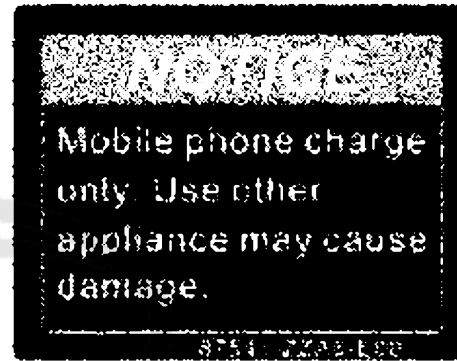


Sales mark	Ref no	Part no	Description	Reg description	Regd no	F23
15772		15772-5L00-013	CLIP B14.5 TUBE	CLIP B14.5 TUBE	2	
17306		17306-LGC6-E00	TUBE ASSY CANISTER-AIR/C	TUBE ASSY CANISTER-AIR/C	1	
17460		17460-LGC6-E00	VALVE COMP VAPOR CONTROL	VALVE COMP VAPOR CONTROL	1	
17686		17686-LGC6-E00	TUBE FUEL FILLER/CANISTER	TUBE FUEL FILLER/CANISTER	1	
17691		17691-LGC6-E00	TUBE ASSY	TUBE ASSY	1	
17693		17693-LGC6-E00	TUBE ASSY	TUBE ASSY	1	
90660		90660-PWA2-900	CLAMP TUBE	CLAMP TUBE	1	
95002		95002-02070	CLIP B7 TUBE	CLIP B7 TUBE	2	
95002A		95002-02080	CLIP B8 TUBE	CLIP B8 TUBE	4	

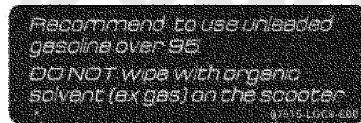




87560



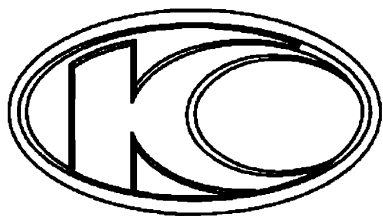
87541



87515

Sales mark	Ref no	Part no	Description	Reg description	Regd no	F24
**	87515	87515-LGC6-E00	CAUTION LABEL	CAUTION LABEL	1	
**	87541	87541-ZZA6-E00	NOTICE MOBILE PHONE	NOTICE MOBILE PHONE	1	
**	87560	87560-LGC6-E00	MARK DRIVER CAUTION	MARK DRIVER CAUTION	1	





86102



8620A



86300



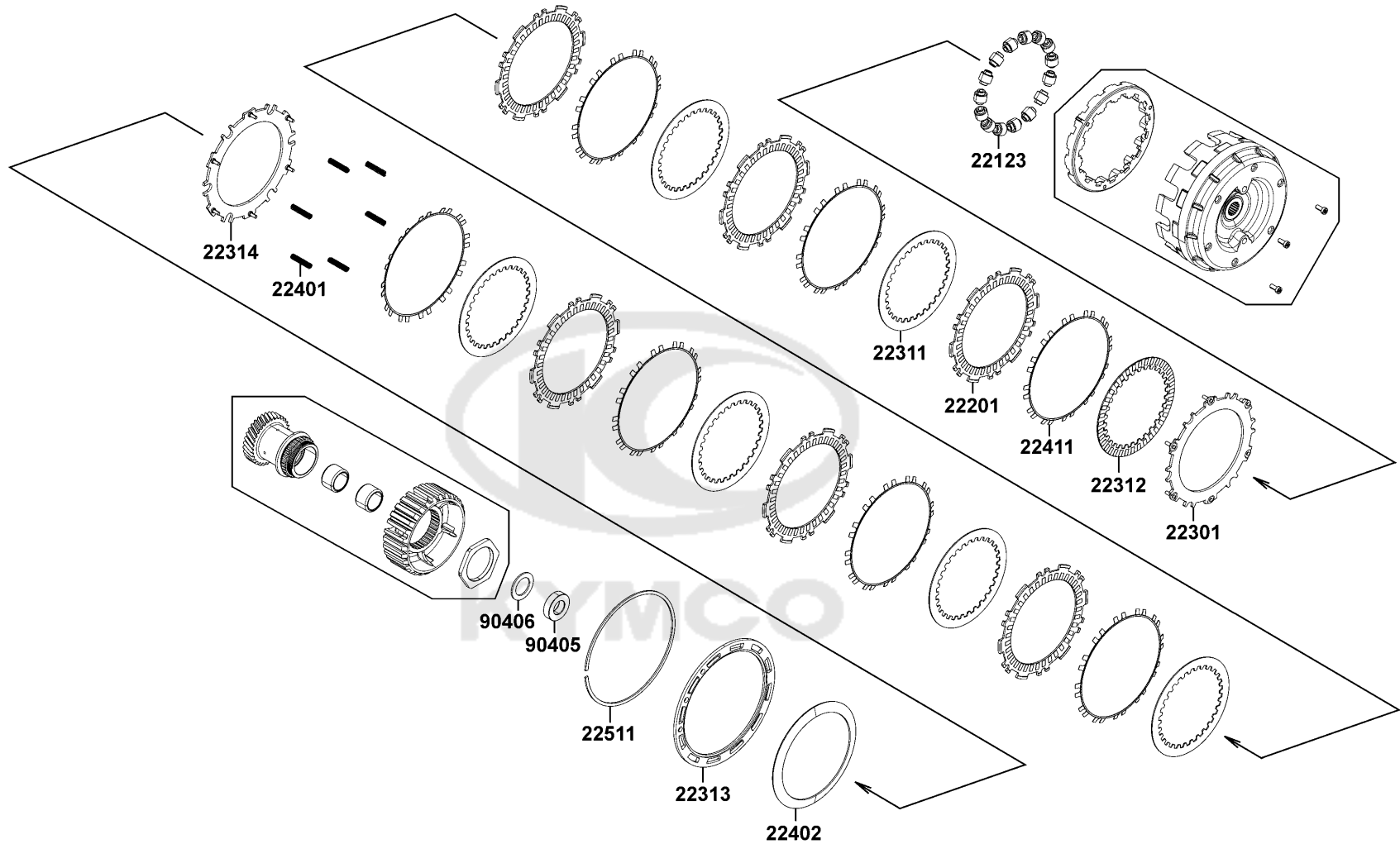
86020



86380

Sales mark	Ref no	Part no	Description	Reg description	Regd no	F25
**	86020	86020-LGC6-E00	EMB HANDLE COVER	EMB HANDLE COVER	1	
**	86102	86102-LGC6-E00	EMB K-LOGO	EMB K-LOGO	1	
**	8620A	8620A-LGC6-E00	EMB KYMCO ASSY.	EMB KYMCO ASSY.	1	
**	86300	86300-LGC6-E00	STRIPE SIDE MOLD	STRIPE SIDE MOLD	1	
**	86380	86380-LGC6-E00	EMB SIDE MOLD	EMB SIDE MOLD	1	





Sales mark	Ref no	Part no	Description	Reg description	Regd no	F26
22123		22123-LGC6-305	ROLLER WEIGHT SET (1SET:15PCS)	ROLLER WEIGHT SET (1SET:15PCS)	1	
22201		22201-LGC6-305	DISK SET CLUTCH FRICTION	DISK SET CLUTCH FRICTION (1SET:6PCS)	1	
22301		22301-LGC6-E00	PLATE THRUST WEIGHT	PLATE THRUST WEIGHT	1	
22311		22311-LGC6-305	PLATE SET CLUTCH FRICTION	PLATE SET CLUTCH FRICTION (1SET:5PCS)	1	
22312		22312-LGC6-305	PLATE SET CLUTCH FRICTION	PLATE SET CLUTCH FRICTION (1SET:2PCS)	1	
22313		22313-LGC6-E00-A	PRESSURE PLATE CLUTCH (zero HOLE	PRESSURE PLATE CLUTCH (zero HOLE TYPE)	1	
22314		22314-LGC6-E00	PLATE SPRING STOPPER	PLATE SPRING STOPPER	1	
22401		22401-LGC6-305	SPRING SET CLUTCH (1SET:6PCS)	SPRING SET CLUTCH (1SET:6PCS)	1	
22402		22402-LGC6-E00	SPRING B CLUTCH	SPRING B CLUTCH	1	
22411		22411-LGC6-305	SPRING A SET CLUTCH (1SET:7PCS)	SPRING A SET CLUTCH (1SET:7PCS)	1	
22511		22511-LGC6-E00	CLIP CLUTCH	CLIP CLUTCH	1	
90405		90405-LGC6-E00	COLLER CLUTCH	COLLER CLUTCH	1	
90406		90406-LGC6-E00	WASHER 25X38X2	WASHER 25X38X2	1	



87546

KYMCO

Sales mark	Ref no	Part no	Description	Reg description	Regd no	F27
------------	--------	---------	-------------	-----------------	---------	------------

**	87546	87546-ADG5-E00	LABEL FUEL TANK	LABEL FUEL TANK	1	
----	-------	----------------	-----------------	-----------------	---	--



PART NO. INDEX

PART NO.	VERSION	PAGE	PART NO.	VERSION	PAGE	PART NO.	VERSION	PAGE
11000			11630-LGC6-E00	9	E05	13221-LGC6-E00-D	3	E03
			12000			13221-LGC6-E00-E	3	E03
11108-LGC6-E00	1	F20				13314-LGC6-E00-A	4	E09
1110A-LGC6-E00	14	E01	12100-LGC6-E00	6	E03	13314-LGC6-E00-B	4	E09
11205-PSA6-E00	4	E10	12191-LGC6-E00	2	E03	13314-LGC6-E00-C	4	E09
1121A-LGC6-E00	3	F13	12205-LEA7-E00	0	E01	13314-LGC6-E00-D	4	E09
11300-LGC6-E00	5	E05	12205-LEA7-E00	0	E04	13314-LGC6-E00-E	4	E09
11302-LGC6-E00	3	E05	12208-LGC6-E00	0	E02	13315-LGC6-E00-A	4	E09
11305-LGC6-E00	3	E05	12209-LEA3-900	0	E02	13315-LGC6-E00-B	4	E09
11325-LGC6-E02	1	E10	12251-LGC6-E00	2	E02	13315-LGC6-E00-C	4	E09
1133A-LGC6-E00	1	E05	1231A-LGC6-E00	1	E02	13315-LGC6-E00-D	4	E09
11340-LGC6-305	0	E04	12391-LGC6-E00	0	E02	13315-LGC6-E00-E	4	E09
11347-LKF5-E00	1	E07				13323-PRB9-E00-0A	3	E09
1134B-LGC6-E00	9	E05	13000			13323-PRB9-E00-0B	3	E09
11350-LGC6-E00	2	E05				13341-LGC6-E00	3	E04
11384-LEA7-E05	2	E02	1300A-LGC6-E00	9	E09	13341-LGC6-E00	3	E10
11384-LGC6-E00	4	E04	13011-LGC6-E00	0	E03	1341A-LGC6-E00	5	E09
11384-LGC6-E01	0	E05	13101-LGC6-E02	6	E03	1342A-LGC6-E00	5	E09
11384-LGC6-E01	0	E10	13111-LGC6-E00	3	E03	14000		
11384-LGC6-E02	0	E02	13210-LGC6-E00-1	3	E03			
11384-LGC6-E03	0	E03	13210-LGC6-E00-2	3	E03	14100-LGC6-E00	5	E02
11385-LGC6-E00	1	E08	13213-LGC6-E00	2	E03	14200-LGC6-E00	1	E02
11394-LGC6-E00	5	E05	13221-LGC6-E00-A	3	E03	14401-LGC6-E00	0	E03
11592-LGC6-E00	1	E01	13221-LGC6-E00-B	3	E03	14510-LGC6-E00	3	E03
11593-LGC6-E00	2	E01	13221-LGC6-E00-C	3	E03	14523-KKE5-E01	4	E03

PART NO. INDEX

PART NO.	VERSION	PAGE	PART NO.	VERSION	PAGE	PART NO.	VERSION	PAGE
14524-KKE5-E01	1	E03	14773-LGC6-E00-16	0	E02	1565A-LGC6-E01	1	E10
1452A-ZPA3-E00	0	E03	14773-LGC6-E00-17	0	E02	15700-LGC6-E00	3	E01
14531-KHE7-900	1	E03	14773-LGC6-E00-18	0	E02	15772-5L00-013	1	F23
14546-LGC6-E00	1	E02	14773-LGC6-E00-19	0	E02			
14550-KKE5-E02	1	E03	14777-LGC6-E00	1	E02	16000		
14610-LGC6-E00	2	E03	14781-LGC6-C00	0	E02			
14711-LGC6-E00	1	E02				1610K-AKB8-E00	0	E06
14721-LGC6-E00	1	E02	15000			1611A-LGC6-E00	1	E06
14731-LGC6-E00	3	E02				16703-LHJ8-800	1	F10
14751-LGC6-E00	4	E02	15100-LGC6-E00	5	E08			
14771-LGC6-C00	0	E02	15133-LGC6-E00	1	E08	17000		
14773-LGC6-E00-01	0	E02	15141-GFY6-90C	1	E08			
14773-LGC6-E00-02	0	E02	15161-LGC6-E00	1	E01	1711A-AKB8-E00	0	E02
14773-LGC6-E00-03	0	E02	15161-LGC6-E00	1	E10	17126-AKB8-E00	0	E06
14773-LGC6-E00-04	0	E02	15162-LGC6-E01	0	E10	17206-LGC6-305	0	F13
14773-LGC6-E00-05	0	E02	15164-LGC6-E00	2	E01	17207-AKB8-E00	0	F13
14773-LGC6-E00-06	0	E02	1516A-LGC6-E00	0	E01	17211-LGC6-E00	1	F13
14773-LGC6-E00-07	0	E02	1516A-LGC6-E00	0	E10	17225-LGC6-E00	0	F13
14773-LGC6-E00-08	0	E02	15210-PUA5-E00	8	E01	17226-LGC6-E00	0	F13
14773-LGC6-E00-09	0	E02	15211-LGC6-E00	2	E01	17292-PWB1-900	1	F13
14773-LGC6-E00-10	0	E02	15214-PUA5-E00	8	E01	17306-LGC6-E00	0	F23
14773-LGC6-E00-11	0	E02	15216-LGC6-E00	1	E01	17307-LGC6-E00	1	E06
14773-LGC6-E00-12	0	E02	15333-LEH6-E00	2	E08	17308-LGC6-E00	1	F13
14773-LGC6-E00-13	0	E02	15334-LEH6-E00	2	E08	17359-4K19-671	0	F13
14773-LGC6-E00-14	0	E02	1541A-LGC6-E00	0	E01	17359-LGC6-E00	0	F13
14773-LGC6-E00-15	0	E02	15421-PRA1-E00	5	E01	17460-LGC6-E00	0	F23

PART NO. INDEX

PART NO.	VERSION	PAGE	PART NO.	VERSION	PAGE	PART NO.	VERSION	PAGE
17500-LGC6-E00	3	F10	17910-AKB8-E00	0	F03	19019-LGC6-E00	3	F21
17511-LGC6-E00	1	F10	17911-AKB8-E00	0	F03	19020-LBA2-E00	0	F21
17512-LGC6-E00	1	F10				19025-LGC6-E00	2	F21
17520-LGC6-E00	1	F19	18000			19026-LKF5-E00	0	F21
1752A-LGC6-E00	1	F19				19027-LKF5-E00	0	F21
17530-KGB5-900	1	F12	18291-LKG2-90A	1	F14	19030-LDB5-E00	2	F21
17550-LGC6-E00	3	F10	18291-PWB1-900	4	F14	19101-LGC6-E00	0	F21
17559-LGC6-E00	3	F10	18293-LHJ8-900	2	F14	19104-ACD5-E00	0	F21
17561-LKB9-900	1	F10	18306-LGC6-E00	5	F14	19105-LGC6-E00	3	F21
17581-LGC6-E00	0	F10	1830A-LGC6-EZ5	5	F14	19111-PRB3-900	2	F21
17583-LGC6-E00	0	F10	18310-LGC6-B80	0	F14	19120-LGC6-E00	2	F21
17584-LGC6-E00	0	F10	18318-LGC6-E00	5	F14	19210-KKC4-900	0	F21
17585-LGC6-E00	0	F10	18319-LGC6-E00	5	F14	19217-PRB9-E01	2	E04
17586-LGC6-E00	0	F10	1832A-LGC6-EZ5	0	F14	19220-LGC6-E00	5	E04
17587-LGC6-E00	0	F10	18371-LBA2-E00	2	F14	19229-LGC6-E00	0	E04
17588-LGC6-E00	0	F10	18391-LKF5-E00	0	F14	19230-LGC6-E00	4	E04
17591-LGC6-E00	2	F10				19317-LBA2-E00	1	E02
17592-LGC6-E00	2	F10	19000			1931A-LGC6-E00	4	E02
17620-LGC6-E00	3	F10				19320-KED9-90A	1	E02
17685-GLE0-301	2	E06	19010-LGC6-E00	0	F21	19501-LGC6-E00	4	E03
17685-KZCZ-900	0	F12	19012-LEA7-E05	1	F21	19502-LGC6-E00	4	E04
17685-LGC6-E00	3	F10	19013-LGC6-E00	1	F21	19504-LBA2-E00	3	E03
17686-LGC6-E00	0	F23	19014-LGC6-E00	2	F21	19504-LBA2-E00	3	E04
17691-LGC6-E00	1	F23	19015-LBA2-E00	0	F21	19505-LBA2-E00	4	F21
17693-LGC6-E00	0	F23	19016-LGC6-E00	1	F21	19507-LDB5-E00	1	F21
17810-LGC6-E00	3	E02	19018-LGC6-E00	1	F21			

PART NO. INDEX

PART NO.	VERSION	PAGE	PART NO.	VERSION	PAGE	PART NO.	VERSION	PAGE
21000			22411-LGC6-305	0	F26	30000		
			22511-LGC6-E00	2	F26			
21100-LGC6-E00	7	E05	23000			3051A-LGC6-E00	3	E02
21200-LGC6-306	0	E10						
21300-LGC6-305	0	E10	23010-LGC6-E00	9	E07	31000		
21395-LGC6-E00	5	E10	23100-LGC6-E00	2	E07			
22000			23200-LGC6-E00	3	E07	31110-LGC6-E00	1	E08
			23215-LGC6-E00	5	E05	31120-LGC6-E00	1	E08
22102-LGC6-E00	1	E07	23220-LGC6-E00	7	E07	31129-LGC6-E00	3	E08
22105-LGC6-E00	4	E07	23225-LKF5-E00	4	E07	31210-LGC6-E00	1	E08
2210B-LGC6-E02	2	E05	23233-LGC6-E00	0	E07	31340-LEA7-E00	3	F19
22110-LGC6-E00	7	E07	23237-LGC6-E00	0	E07	31500-LGC6-E01	1	F11
22121-LGC6-305	0	E07	23238-LDB5-E00	1	E07	31600-LKF5-E00	0	F19
22123-LGC6-305	0	F26	23420-LGC6-E00	1	E05	31700-KEC8-E00	1	F19
22131-LGC6-E00	5	E07	23430-LGC6-E00	0	E05	3195A-LBA7-E00	1	F19
22132-ADG5-305	0	E07	23432-LGC6-E00	4	E05			
22201-LGC6-305	0	F26	23800-LGC6-E02	7	F16	32000		
22301-LGC6-E00	5	F26	28000					
22311-LGC6-305	0	F26				32100-LGC6-EZ5	0	F19
22312-LGC6-305	0	F26	28102-LEA7-E00	3	E08	32101-LGC6-E00	5	E02
22313-LGC6-E00-A	4	F26	28110-LGC6-E01	4	E08	32102-AKB8-E00	0	E08
22314-LGC6-E00	5	F26	28120-LGC6-E00	1	E08	32103-LGC6-E02	4	F03
22401-LGC6-305	0	F26	28130-LGC6-E01	2	E08	32105-LLJ3-E00	2	E01
22402-LGC6-E00	5	F26				32410-LGC6-E00	0	E08
						32411-LGC6-E00	0	F11

PART NO. INDEX

PART NO.	VERSION	PAGE	PART NO.	VERSION	PAGE	PART NO.	VERSION	PAGE
32412-LGC6-E01	5	E08				37211-LGC6-E00	0	F02
			35000			37215-LHJ3-900	1	F05
33000						37800-LGC6-E00	0	F10
			35101-LGC6-315	0	F19			
33100-LGC6-E00	4	F01	35102-LGC6-315	0	F19	38000		
33101-LGC6-305	0	F01	3515A-LGC6-E00	5	F03			
33107-LGC6-E00	0	F01	3520A-LGC6-EZ5	0	F03	38110-KKC3-90B	4	F19
33108-LGC6-E00	0	F01	35340-KFLF-900	2	F03	38300-KKE5-E00	3	F19
33109-LGC6-E00	4	F01	35340-LGC6-E00	0	F04	38500-LGL3-90A	5	F19
33111-LGC6-E00	0	F01	35350-LGC6-E00	0	F04	38601-LGC6-E00	0	F19
33130-LGC6-E00	0	F01	35370-ZZA6-E00	0	F15	3860A-LGC6-E00	2	F19
33400-LGC6-E00	0	F17	35380-LEA2-900	2	F19	38620-LGC6-E00	3	F19
33450-LGC6-E00	0	F17	35390-LHG7-E00	4	F12	38621-LGC6-E00	6	F19
33700-LGC6-E00	4	F18	35500-KED9-900	6	E01	38704-LGC6-E00	4	F19
33720-LGC6-305	0	F18	35850-LGC6-E00	0	F19	3870A-LGC6-E00	4	F19
33727-LGC6-E00	0	F18	35852-LGC6-E00	0	F19	38900-ACD5-E00	7	F19
33731-LHJ8-900	2	F06						
33734-LGC6-E00	2	F06	36000			39000		
33739-LGC6-E00	2	F06						
33741-ACH7-900	0	F18	3650A-LGC6-E00	5	F19	39100-LGC6-E00	0	F19
33900-LGC6-E00	0	F12				39208-AKC3-EZ5	0	F19
			37000			39209-AKC3-EZ5	1	F19
34000						3920A-LGC6-EZ5	0	F19
			37130-LGC6-E01	0	F02	39300-KKE5-800	2	E02
34010-AKB8-E00	0	F20	37200-LGC6-305	0	F02	39400-LEA6-800	2	E02
34019-AKB8-E00	0	F20	3720A-LGC6-EZ5	3	F02	39450-ZVA6-M00	1	F14

PART NO. INDEX

PART NO.	VERSION	PAGE	PART NO.	VERSION	PAGE	PART NO.	VERSION	PAGE
39500-AAC9-900	1	F13				43521-LGC6-E00	0	F04
39600-ACH6-900	0	F10	42000					
39650-LGC6-E00	5	F19				44000		
39660-LGC6-E00	0	F07	42301-LGC6-E00	3	F08			
39660-LGC6-E00	0	F08	42312-LGC6-E00	6	F08	44301-LGC6-E00	3	F07
40000			42313-LGC6-E00	3	F08	44312-LBA2-E00	2	F07
			42600-LGC6-305	0	F08	44600-LGC6-305	0	F07
			42620-LGC6-E00	0	F08	44620-LGC6-E00	0	F07
40510-LGC6-E00	5	F16				45000		
40511-LGC6-E01	2	F16	43000					
40512-LGC6-E00	0	F16						
40513-LGC6-E00	0	F16	43100-LGC6-E01	4	F08	45100-LGC6-E00	0	F07
40520-LGC6-E00	1	F16	43105-LGC6-305	0	F08	45105-LGC6-305	0	F07
40521-LGC6-E00	1	F16	43109-LGC6-E00	3	F08	45108-LGC6-305	0	F07
40522-LGC6-E00	0	F16	43110-LGC6-E00	5	F08	45126-LGC6-E00	7	F04
40530-LGC6-E00	0	F08	43113-LBA2-E00	0	F08	45127-LGC6-E00	5	F04
40543-LGC6-E00	2	F08	43126-LGC6-E00	9	F04	45129-LGC6-E00	2	F19
40553-LGC6-E00	2	F08	43127-LGC6-E00	5	F04	4512A-LGC6-E01	2	F07
40613-LGC6-E00	0	F16	43156-LGC6-E00	0	F08	45131-LDH1-E00	0	F08
41000			43210-LGC6-305	0	F08	45132-LDH1-E00	0	F08
			43351-LGC6-E01	3	F08	45134-KED9-900	0	F08
			43352-LGC6-E00	0	F08	45135-KED9-900	0	F08
41201-LGC6-E00	8	F08	4335A-LGC6-E00	0	F04	45200-LGC6-E00	0	F07
41202-LGC6-E00	6	F08	43450-LGC6-E00	9	F03	45209-LGC6-E00	3	F08
			43500-LGC6-E00	1	F04	45352-LKF5-E00	0	F07
			43513-LGC6-E00	0	F04	45500-LGC6-E00	1	F04

PART NO. INDEX

PART NO.	VERSION	PAGE	PART NO.	VERSION	PAGE	PART NO.	VERSION	PAGE
45513-LGC6-E00	0	F04	50189-LGC6-E00	4	F20	50616-LGC6-E00	1	F21
45517-LGC6-E00	0	F04	50191-LGC6-E00	0	F20	50617-LGC6-E00	5	F20
45521-LGC6-E00	0	F04	50192-LGC6-E00	0	F20	50618-LGC6-E00	5	F20
49000			50193-LGC6-E00	1	F20	50710-LGC6-E00	2	F20
			50194-LGC6-E00	0	F20	50713-KEB7-900	0	F20
			50306-1F96-001	0	F06	50715-KKAK-900	0	F20
49100-LGC6-E00	0	F04	50325-LGC6-E00	1	F11	50719-LGC6-E00	3	F20
49110-LGC6-E00	1	F04	50326-LGC6-E00	1	F11	5071A-LGC6-E00	7	F20
49211-LFH1-E00	1	F04	50329-LGC6-E00	0	F11	50720-LGC6-E00	2	F20
50000			50330-LKF5-E00	1	F19	5072A-LGC6-E00	6	F20
			50500-LGC6-E00	2	F15	51000		
			50501-LGC6-E00	0	F15			
50127-LGC6-E00	0	F20	50502-GFY6-901	3	F15			
50128-AKB8-E00	0	F20	50504-LGC6-E00	1	F16	51400-LGC6-E00	9	F06
5013A-LGC6-E00	8	F20	50505-LEA7-E00	1	F15	51421-LGC6-E00	4	F06
50143-LGC6-E00	1	F21	50505-LKB9-900	1	F15	51423-KED9-900	0	F22
50144-LGC6-E00	2	F21	50506-KHE7-E00	0	F15	51424-KED9-900	0	F22
50145-LGC6-E00	0	F20	50530-LGC6-E00	6	F15	51427-LGC6-E00	0	F22
50146-LGC6-E00	1	F20	50531-LGC6-E00	2	F15	51427-LGC6-E02	0	F22
50149-LGC6-E00	1	F10	50532-LGC6-E00	3	F15	51428-KED9-900	0	F22
50150-LGC6-E00	11	F20	50550-KKC2-E00	0	F15	51430-ACD5-E00	0	F08
50181-LGC6-E00	4	F19	50604-LGC6-E00	2	F07	51430-LGC6-E00	0	F22
50182-LGC6-E00	0	F21	50611-LGC6-E00	1	F21	51431-KED9-900	0	F22
50185-LGC6-E00	0	F20	50612-LGC6-E00	1	F21	51431-LGC6-E00	0	F22
50186-LGC6-E00	2	F20	50613-LGC6-E00	0	F21	51432-LGC6-E00	0	F22
50187-LGC6-E00	4	F20	50615-LGC6-E00	1	F21	51500-LGC6-E00	6	F06

PART NO. INDEX

PART NO.	VERSION	PAGE	PART NO.	VERSION	PAGE	PART NO.	VERSION	PAGE
51521-LGC6-E00	4	F06	53204-LGC6-E00	6	F03	64206-MLJ0-001	1	F16
52000			53205-LGC6-E00	2	F03	64211-LGC6-E00	0	F05
			53206-LGC6-E00	2	F03	64222-KKC4-900	3	F03
			5320C-LGC6-E00	3	F03	64222-LLJ3-E00	1	F03
			53213-LBA2-E00	2	F06	64222-LLJ3-E00	1	F06
52100-LGC6-E01	5	F16	53214-LBA2-E00	2	F06	6422A-LGC6-E00	4	F03
52120-LGC6-E01	4	F16	53214-LGC6-E00	0	F05	64230-LGC6-E00	1	F03
52130-LGC6-E00	6	F16	53220-LGC6-E00	3	F06	64240-LGC6-E00	3	F03
52133-LGC6-E00	6	F16	53224-LGC6-E00	0	F05	64301-LGC6-E00	0	F05
52134-LGC6-E00	3	F16	5323A-LGC6-E00	8	F06	64302-LGC6-E00	3	F05
52400-LGC6-E00	7	F16	53240-LEA7-90A	2	F06	64303-LGC6-E00	3	F05
52415-LGC6-E00	0	F16	53250-LEA7-90A	2	F06	64305-LGC6-E00	0	F05
53000			61000			64306-LGC6-E00	0	F05
						64310-LGC6-E00	0	F05
						64311-LGC6-E00	0	F05
						64315-AKB8-E00	0	F20
53100-LGC6-E00	7	F03	61100-LGC6-E00	5	F06	64317-LGC6-E00	2	F20
53105-LGC6-E00	2	F03	61101-LGC6-E00	1	F06	64320-LGC6-E00	0	F05
53109-LGC6-E00	0	F03	61102-LGC6-E00	1	F06	64330-LGC6-E00	0	F05
53165-LGC6-E01	4	F03	6111A-LGC6-E00	2	F05	64340-LGC6-E00	0	F05
53166-LGC6-E01	6	F03	64000			64350-LGC6-E00	0	F05
53175-LGC6-E00	0	F04				64360-LGC6-E00	0	F05
53178-LGC6-E00	0	F04				64370-LGC6-E00	0	F05
53190-LGC6-E00	0	F03				64380-LGC6-E00	0	F05
53194-LGC6-E00	0	F03	64101-LGC6-E00	0	F05	64400-LGC6-E00	0	F05
53195-LGC6-E00	0	F03	64130-LGC6-E00	1	F03			
53200-LGC6-E00	4	F06	64140-LGC6-E00	3	F03			
53203-LGC6-E00	0	F03	64201-LGC6-E00	0	F05			

PART NO. INDEX

PART NO.	VERSION	PAGE	PART NO.	VERSION	PAGE	PART NO.	VERSION	PAGE
77000			8015C-LGC6-E00	3	F12	83000		
			80161-LGC6-E00	3	F05			
77200-LGC6-309	0	F09	81000			83500-LGC6-E00	1	F12
77206-KGBG-900	1	F09				83501-LGC6-E00	0	F12
77206-LKB9-900	1	F09	81122-LGC6-E00	5	F05	83510-LGC6-E00	0	F05
77210-LGC6-E00	0	F09	81123-LGC6-E00	0	F05	83511-LGC6-E00	0	F05
77230-LGC6-E00	0	F19	81124-LGC6-E00	0	F05	83520-LGC6-E00	0	F12
77235-LGC6-E00	4	F10	81130-LGC6-E00	0	F05	83521-LGC6-E00	0	F12
77240-LGC6-E00	2	F10	81131-LGC6-E00	7	F05	83530-LGC6-E00	0	F12
77240-LGC6-E01	1	F19	81132-LGC6-E00	5	F05	83532-LGC6-E00	0	F12
77241-LGC6-E00	8	F10	81133-LGC6-E00	0	F05	83533-LGC6-E00	0	F12
77300-LGC6-E00	0	F09	81134-LGC6-E00	0	F05	8353A-LGC6-E00	2	F12
77303-LHJ8-900	0	F09	81136-ACD5-E00	1	F05	83550-KEC8-900	4	F06
7731A-LGC6-E00	2	F09	81136-LEA7-E00	2	F05	83551-KEC8-900	4	F06
			81137-LGC6-E00	4	F12	83551-LGC6-E00	0	F05
80000			81138-LGC6-E00	2	F10	83600-LGC6-E00	3	F12
80100-LGC6-E00	3	F18	81151-LGC6-E00	5	F05	83601-LGC6-E00	0	F12
80105-LGC6-E00	1	F18	8116A-LGC6-E00	0	F05	83610-LGC6-E00	0	F05
80106-LGC6-E00	0	F18	8117A-LGC6-E00	0	F05	83611-LGC6-E00	0	F05
80107-LGC6-E00	1	F18	81200-LGC6-E00	7	F12	83620-LGC6-E00	3	F12
8010B-LGC6-E00	2	F18	81210-LGC6-E00	7	F12	83621-LGC6-E00	0	F12
80143-LGC6-E00	0	F12	81255-LGC6-E00	0	F12	83622-KED9-900	0	F09
80152-LGC6-E00	5	F12	81260-LGC6-E00	5	F12	83630-LGC6-E00	0	F12
8015B-LGC6-E00	4	F05				83632-LGC6-E00	0	F12
						83633-LGC6-E00	0	F12

PART NO. INDEX

PART NO.	VERSION	PAGE	PART NO.	VERSION	PAGE	PART NO.	VERSION	PAGE
8363A-LGC6-E00	3	F12				90105-KFC2-900	0	F03
83750-LGC6-E00	0	F12	89000			90105-LGC6-E00	2	F12
83751-LGC6-E00	1	F12				90106-LEC8-900	1	F16
86000			89010-LGC6-E00	2	F09	90107-LEA7-E00	4	F06
			89020-KKC4-900	1	F09	90108-LGC6-E00	3	F15
			90000			90110-KED9-900	2	F16
86020-LGC6-E00	3	F25				90111-LEB1-900	1	F18
86102-LGC6-E00	5	F25				90111-LEC8-E00	1	F18
8620A-LGC6-E00	0	F25	90001-GBHB-661	3	F20	90111-LGC6-E01	1	F03
86300-LGC6-E00	6	F25	90004-LGC6-E00	1	E05	90111-LGC6-E01	1	F12
86380-LGC6-E00	2	F25	90005-LEH6-E00	3	E03	90112-KNBN-901	1	F02
87000			90007-LGC6-E00	0	E02	90113-LGC6-E00	0	F04
			90010-KKE5-E01	4	E10	90113-LGE5-E01	0	F04
			90018-KKE5-E00	2	E02	90121-LGC6-E00	0	F15
87515-LGC6-E00	2	F24	90027-PUA5-E00	9	E02	90122-LKF5-E00	1	F07
87541-ZZA6-E00	2	F24	90033-KGB4-C00	2	E02	90123-LGC6-E00	0	F15
87546-ADG5-E00	2	F27	90033-LGC6-E00	0	E01	90125-LGC6-E00	0	F20
87560-LGC6-E00	2	F24	90084-4H28-001	1	E04	90145-LFH1-E00	1	F04
88000			90084-KKE5-E00	5	E05	90201-KHR8-75A	1	E09
			90084-KKE5-E00	5	E10	90201-LGC6-E00	2	F16
			90101-KGC4-E00	1	F09	90202-LDB5-E00	3	E07
88110-LGC6-E00	3	F03	90101-LEA7-E00	1	F14	90204-LGC6-E00	0	E05
88120-LGC6-E00	3	F03	90101-LGC6-E00	1	F16	90215-KKC4-900	2	F20
			90102-LGC6-E00	0	F16	90301-6D34-671	1	F01
			90105-KCR3-001	1	F07	90301-6D34-671	1	F10
			90105-KCR3-001	1	F08	90301-6D34-671	1	F19

PART NO. INDEX

PART NO.	VERSION	PAGE	PART NO.	VERSION	PAGE	PART NO.	VERSION	PAGE
90301-6D34-671	1	F21	90313-PWB1-900	0	E05	90501-KNBN-901	0	F16
90301-GFY6-901	2	F14	90314-PWB1-900	0	E05	90501-LEH6-E00	0	E03
90302-GFY6-940	2	F10	90315-PWB1-900	0	E05	90503-0A51-870	0	F16
90302-GFY6-940	2	F19	90316-PWB1-900	0	E05	90503-KKE5-E00	1	F06
90302-LLB1-E00	2	F10	90317-PWB1-900	0	E05	90503-LEA7-E00	2	F06
90302-LLB1-E00	2	F19	90318-PWB1-900	0	E05	90525-KED9-900	2	E01
90302-SDA4-004	3	F03	90319-PWB1-900	0	E05	90525-KED9-900	2	E03
90302-SDA4-004	3	F05	90320-PWB1-900	0	E05	90541-PUA5-E00	4	E02
90302-SDA4-004	3	F12	90321-PWB1-900	0	E05	90544-KEC8-900	0	F22
90302-SDA4-004	3	F18	90322-PWB1-900	3	E05	90545-3L00-001	2	F04
90304-KKE5-E00	1	F06	90323-PWB1-900	0	E05	90622-LHJ8-900	1	F19
90304-LEA1-900	1	F03	90324-PWB1-900	0	E05	90651-ALH3-700	0	F19
90304-LEA1-900	1	F15	90401-KKJ9-001	0	E09	90652-GFY6-901	1	E02
90304-LEA1-900	1	F16	90403-LGC6-E00	1	E05	90652-KHE7-900	0	F13
90304-LEA1-900	1	F20	90405-LGC6-E00	4	F26	90652-LCA4-E00	6	F01
90304-LGC6-E00	1	F14	90406-LGC6-E00	3	F26	90652-LCA4-E00	6	F03
90305-KNBN-90B	1	F16	90412-3K29-001	0	E08	90652-LCA4-E00	6	F05
90305-LBA2-E00	1	F06	90412-PUA5-E00	4	E01	90652-LCA4-E00	6	F12
90306-LBA2-900	1	F08	90441-LKF5-E00	0	E05	90652-LFB5-900	3	F05
90306-LFE2-900	1	F20	90442-LGC6-E00	1	E01	90652-LFB5-900	3	F21
90309-GLW0-90A	1	F16	90452-LBA7-900	1	E05	90652-LGC6-E00	0	F03
90311-PWB1-900	0	E05	90459-LKF5-E00	0	E04	90653-LGC6-E00	3	F05
90312-GLF0-001	0	F03	90463-PUA5-E00	4	E10	90653-LKB9-900	1	F12
90312-LLJ3-E00	1	F03	90465-PUA5-E00	5	E01	90656-KCBC-900	0	F03
90312-LLJ3-E00	1	F06	90478-7L00-001	0	E02	90656-KCBC-900	0	F19
90312-PWB1-900	0	E05	90478-7L00-001	0	E04	90656-KUDU-900	0	F19

PART NO. INDEX

PART NO.	VERSION	PAGE	PART NO.	VERSION	PAGE	PART NO.	VERSION	PAGE	
90656-ZVA6-M00	0	F19	91303-3G77-001	0	E04	93000			
90660-LGC6-E00	0	F13	91303-PUA5-E00	3	E08				
90660-PWA2-900	1	F03	91304-LFA7-E00	3	E01				
90660-PWA2-900	1	F23	91304-LGC6-E00	4	E05		93401-06020-07	0	F15
90677-GAR1-004	2	F11	91305-LEH6-E00	0	E01		93404-06012-06	1	F03
90805-LGC6-E00	3	E01	91305-LEH6-E00	0	E03		93404-06012-06	1	F05
91000			91305-LEH6-E00	0	E10	93404-06012-06	1	F12	
			91306-PUA5-E00	3	E01	93404-06012-06	1	F16	
			91306-PUA5-E00	3	E10	93404-06012-06	1	F18	
			91307-0E35-001	1	E10	93404-06012-06	1	F21	
91201-LGC6-E00	1	E05	91308-LGC6-E00	3	E01	93404-06016-06	1	F03	
91201-LKF5-E00	1	E09	91311-PRA1-E00	3	E01	93404-06016-06	1	F11	
91202-LGC6-E00	3	E05	91316-PRA1-E00	3	E01	93404-06016-06	1	F21	
91202-LKG2-900	1	E04	91351-LDB5-E00	1	E07	93404-06025-06	0	F21	
91205-LGC6-E00	1	E05	91507-LKE6-900	1	F19	93404-LLF5-910	0	F20	
91211-LGC6-E00	0	E07	91552-LEH6-E00	0	E03	93500-KHC4-90A	0	F19	
91252-LGC6-E00	2	E10	91552-LGC6-E00	0	E01	93500-LGC6-E00	0	F19	
91252-LGC6-E00	2	F16	91552-LGC6-E00	0	E05	93891-05012-06	0	F11	
91254-LGC6-E00	1	F08	92000			93903-14460	0	F05	
91257-KED9-900	2	F07				93903-14460	0	F12	
91257-LGC6-E00	0	F16				93903-24360	0	F03	
91301-0H28-001	0	F16				93903-24360	0	F05	
91301-LGC6-E00	2	E01	92000-05016-0G	0	E08	93903-24360	0	F06	
91301-LGC6-E00	2	E05	92101-LGC6-E00	2	F16	93903-24360	0	F12	
91302-KKE5-800	1	E02				93903-24360	0	F16	
91302-LDB2-E00	1	E02				93903-24360	0	F18	
91302-PRA1-E00	3	E01				93903-24360	0		

PART NO. INDEX

PART NO.	VERSION	PAGE	PART NO.	VERSION	PAGE	PART NO.	VERSION	PAGE
93903-24360	0	F21	94050-10060	0	E01	94302-10160	0	F15
93903-25460	0	F13	94050-LHJ3-900	0	F18	94510-10000	0	E08
93903-34360	0	F05	94050-LKF5-E00	1	E07	94510-12000	0	E04
93903-34360	0	F09	94101-06000	0	F20	94510-25000	0	E05
93903-34360	0	F13	94101-06200	1	F14	94520-32180	0	E04
93903-35260	0	F01	94101-08600	0	F15	94520-32180	0	E10
93903-35260	0	F17	94101-10000	0	F03	94520-42000	2	E05
93903-GFY6-900	1	F05	94101-10000	0	F15	94591-LGC6-E00	0	F20
93903-GFY6-900	1	F12	94101-12000	0	F03	94591-LLB1-900	0	F21
93903-GFY6-900	1	F18	94101-LDB5-E00	0	F14	94601-17000	0	E03
93903-LGC6-E01	0	F03	94101-LEA2-900	0	F14	94605-LGC6-E00	0	F22
93903-LGC6-E01	0	F18	94101-LGC6-E00	0	F08			
93903-LHJ8-910	1	F02	94102-08000	5	F03	95000		
			94102-LGC6-E00	3	E04			
94000			94111-06800	0	E02	95002-02070	2	E06
			94111-ACD5-E00	1	F14	95002-02070	2	F23
94001-LGC6-E00	0	E07	94201-20180	0	F15	95002-02080	0	F12
94050-06060	1	E05	94201-20180	0	F20	95002-02080	0	F23
94050-06060	1	F04	94301-08140	4	E01	95002-02110	0	F13
94050-06060	1	F06	94301-08140	4	E02	95002-41250-00	0	F13
94050-06060	1	F09	94301-08140	4	E05	95002-KED9-M30	1	F13
94050-06060	1	F19	94301-08140	4	E10	95002-LHG8-E00	1	F13
94050-06060	1	F20	94301-10160	0	F16	95002-LKF5-E00	2	F13
94050-06080	2	F09	94301-10200	2	E05	95014-72204	0	F15
94050-08020	0	F16	94301-12200	1	E02	95014-PRB3-900	0	F19
94050-08060	0	F19	94301-12200	1	F16	95701-06012-06	1	F03

PART NO. INDEX

PART NO.	VERSION	PAGE	PART NO.	VERSION	PAGE	PART NO.	VERSION	PAGE
95701-06012-06	1	F10	95801-10060-06	0	F16	96001-LAB4-900	3	F13
95701-06012-06	1	F19	95801-10065-06	0	F15	96005-PRA1-E00	2	E01
95701-06012-06	1	F20	95801-10065-06	0	F20	96005-PRA1-E00	2	E02
95701-06012-06	1	F21	95801-10120-06	0	F16	96008-PRA1-E00	2	E02
95701-06016-06	1	F20	95801-12295-06	1	F20	96008-PRA1-E00	2	E04
95701-06020-06	1	F03	95801-LEA1-900	1	F08	96011-PRA1-E00	2	E10
95701-06020-06	1	F04				96012-PRA1-E00	2	E05
95701-06020-06	1	F13	96000			96013-LGC6-E00	0	E04
95701-06040-06	0	F06				96014-PRA1-E00	2	E02
95701-08012-06	0	F19	96001-06010-06	0	E02	96015-PRA1-E00	2	E04
95701-08016-06	0	F03	96001-06010-06	0	E04	96018-PRA1-E00	2	E05
95701-08016-06	0	F06	96001-06012-06	0	E05	96023-PRA1-E00	0	E02
95701-08016-06	0	F09	96001-06012-06	0	F08	96023-PRA1-E00	0	E05
95701-08016-06	0	F10	96001-06012-06	0	F19	96023-PRB9-E00	0	E04
95701-08016-06	0	F20	96001-06014-06	0	E05	96026-PRA1-E00	0	E05
95701-08020-06	1	F20	96001-06018-06	0	E02	96033-PRA1-E00	2	E05
95701-08025-06	0	E05	96001-06018-06	0	F13	96052-PRA1-E00	0	F07
95701-08025-06	0	F20	96001-06022-06	1	F15	96052-PRA1-E00	0	F08
95701-08025-06	0	F21	96001-06028-06	0	E03	96100-30203-10	0	E05
95701-LEA5-E00	1	F19	96001-06035-06	0	E01	96100-60010-00	0	E04
95709-PRA1-E00	4	E05	96001-06035-06	0	E08	96100-60060-00	0	E10
95801-08090-06	0	E01	96001-06040-06	0	E08	96100-62010-00	0	E04
95801-08090-06	0	F16	96001-06055-06	0	E01	96100-62050-00	2	E05
95801-10030-06	0	F08	96001-06060-06	0	F04	96100-62050-00	2	E10
95801-10030-06	0	F15	96001-06090-06	2	E01	96100-62060-00	2	E05
95801-10055-06	0	F20	96001-06130-06	1	E02	96100-63020-00	0	E05

PART NO. INDEX

PART NO.	VERSION	PAGE	PART NO.	VERSION	PAGE	PART NO.	VERSION	PAGE
96100-63040-00	1	E05	98200-33000	0	F11			
96100-LGC6-E00	0	F16						
96140-62010	0	E10	502000					
96150-60040-10	0	F07						
96150-60060-10	0	E05	502-00149	0	F19			
96150-62060-10	0	F16	502-00151	0	F19			
96150-LGC6-E00	0	F08	502-00155	0	F19			
96211-08000	19	F20	502-00164	0	F19			
96211-16000	2	E01						
96220-40158	1	E08						
96600-06015-10	4	E08						
96600-08025-06	0	F06						
96600-08035-06	0	F06						
96600-08050-02	0	F16						
96600-LEA7-E01	1	F14						
96600-LKF5-E00	0	F22						
96700-06020-06	0	F16						
96700-KED9-900	3	F06						
96700-LGC6-E00	1	F16						
96701-LGC6-E01	0	F14						
98000								
98059-57916-00	2	E02						
98200-31000	1	F11						
98200-31500	1	F11						