

PARTS CATALOGUE



SCOOTERS

SAA1AA(GR)

AK550i ABS Noodoe EURO 4



Release Date : 2020/06/01
Print Date : 2020/11/24

ABOUT THIS PARTS LIST

- This parts list is compiled all service parts for model SAA1AA(GR).
- Any difference between color chart and motorcycle will be revised according to motorcycle.
- The Mark:
 1. Marking "***" must add color code in the end before ordering parts.
 2. Marking "#" are parts with modification, Please find the details from e-Parts system.
- When modification or additions to this parts list are made a revised edition at an appropriate time.



CONTENTS

● ABOUT THIS PARTS LIST	1
● COLOR CHART OF SAA1AA(GR)	3
● CONTENTS-ENGINE GROUP	18
● CONTENTS-FRAME GROUP	20
● ENGINE PARTS LIST	23
● FRAME PARTS LIST	67
● PART NO. INDEX	159

NO	MODEL			COLOR CHART OF SAA1AA(GR)			
	PHOTO NO			NO. 1	NO. 2	NO. 3	NO. 4
	BASIC COLOR			Mat Blue	Mat Deep Blue	Mat Silver	Mat Metallic
	CODE			Mat Blue	Mat Deep Blue	Mat Silver	Mat Metallic
	PARTS NAME	PARTS NO.	VERSION	PB244FA	PB244FA	NH503FA	NH503FA
1	FENDER A FRONT (Mat)	61100-LGC6-E00	1	DLA		D3D	
2	CALIPER ASSY RR	43100-LGC6-E00	8	J2A			
3	CALIPER ASSY RR	43100-LGC6-E01	4				
4	BRACKET ASSY RR	43210-LGC6-305	0				
5	MOLDING A R SIDE	64302-LGC6-E00	0				
6	MOLDING A L SIDE	64303-LGC6-E00	0	CVP			
7	CARRIER R REAR	81200-LGC6-E00	6				
8	CARRIER L REAR	81210-LGC6-E00	6				
9	COVER R BODY	83500-LGC6-E00	1				
10	COVER L SIDE	83600-LGC6-E00	3				
11	COVER B RR CENTER	83750-LGC6-E00	0				
12	WHEEL SET RR	42600-LGC6-305	0	JDA			
13	WHEEL ASSY FR	44600-LGC6-305	0				
14	CALIPER ASSY FR L	45100-LGC6-E00	0	JTA			
15	CALIPER ASSY FR R	45200-LGC6-E00	0				
16	COVER COMP L COVER	1134B-LGC6-E00	3	N1R			
17	COVER COMP R	11630-LGC6-E00	3				
18	COVER RADIATOR	19025-LGC6-E00	0				
19	ISOLATED PLATE	35852-LGC6-E00	0				
20	COVER UP ACHAIN	40510-LGC6-E00	5				
21	COVER UP B CHAIN	40511-LGC6-E00	1				
22	COVER UP B CHAIN	40511-LGC6-E01	2				
23	COVER LOW A CHAIN	40520-LGC6-E00	1				
24	COVER LOW B CHAIN	40521-LGC6-E00	1				
25	CASE BATTERY	50325-LGC6-E00	1				
DATE OF STARTING-SALES							
DATE OF END-SALES							

NO	MODEL			COLOR CHART OF SAA1AA(GR)			
	PHOTO NO			NO. 5	NO. 6	NO. 7	NO. 8
	BASIC COLOR			Mat Silver Crystal	Mat Black	Flat Black	
	CODE			Mat Silver Crystal	Mat Black	Flat Black	
	PARTS NAME	PARTS NO.	VERSION	NH263FA	NH397FA	NH397FA	NH506SA
1	FENDER A FRONT (Mat	61100-LGC6-E00	1	D3F	D3S		D3T
2	CALIPER ASSY RR	43100-LGC6-E00	8	J2A			
3	CALIPER ASSY RR	43100-LGC6-E01	4				
4	BRACKET ASSY RR	43210-LGC6-305	0				
5	MOLDING A R SIDE	64302-LGC6-E00	0				
6	MOLDING A L SIDE	64303-LGC6-E00	0	J2P			
7	CARRIER R REAR	81200-LGC6-E00	6				
8	CARRIER L REAR	81210-LGC6-E00	6				
9	COVER R BODY	83500-LGC6-E00	1				
10	COVER L SIDE	83600-LGC6-E00	3				
11	COVER B RR CENTER	83750-LGC6-E00	0				
12	WHEEL SET RR	42600-LGC6-305	0	JDA			
13	WHEEL ASSY FR	44600-LGC6-305	0				
14	CALIPER ASSY FR L	45100-LGC6-E00	0				
15	CALIPER ASSY FR R	45200-LGC6-E00	0	JTA			
16	COVER COMP L COVER	1134B-LGC6-E00	3				
17	COVER COMP R	11630-LGC6-E00	3	N1R			
18	COVER RADIATOR	19025-LGC6-E00	0				
19	ISOLATED PLATE	35852-LGC6-E00	0				
20	COVER UP ACHAIN	40510-LGC6-E00	5				
21	COVER UP B CHAIN	40511-LGC6-E00	1				
22	COVER UP B CHAIN	40511-LGC6-E01	2				
23	COVER LOW A CHAIN	40520-LGC6-E00	1				
24	COVER LOW B CHAIN	40521-LGC6-E00	1				
25	CASE BATTERY	50325-LGC6-E00	1				
DATE OF STARTING-SALES							
DATE OF END-SALES							

NO	MODEL			COLOR CHART OF SAA1AA(GR)			
	PHOTO NO			NO. 9	NO. 10	NO. 11	
	BASIC COLOR			Space Gray	Mat Brown	Flat Brown Crystal	
	CODE			Space Gray	Mat Brown	Flat Brown Crystal	
	PARTS NAME	PARTS NO.	VERSION	NH506SA	YR532FA	YR532FA	
1	FENDER A FRONT (Mat	61100-LGC6-E00	1	D3T	DKZ		
2	CALIPER ASSY RR	43100-LGC6-E00	8	J2A			
3	CALIPER ASSY RR	43100-LGC6-E01	4				
4	BRACKET ASSY RR	43210-LGC6-305	0				
5	MOLDING A R SIDE	64302-LGC6-E00	0				
6	MOLDING A L SIDE	64303-LGC6-E00	0	JZP			
7	CARRIER R REAR	81200-LGC6-E00	6				
8	CARRIER L REAR	81210-LGC6-E00	6				
9	COVER R BODY	83500-LGC6-E00	1				
10	COVER L SIDE	83600-LGC6-E00	3				
11	COVER B RR CENTER	83750-LGC6-E00	0				
12	WHEEL SET RR	42600-LGC6-305	0	ZEP			
13	WHEEL ASSY FR	44600-LGC6-305	0				
14	CALIPER ASSY FR L	45100-LGC6-E00	0				
15	CALIPER ASSY FR R	45200-LGC6-E00	0	JDA			
16	COVER COMP L COVER	1134B-LGC6-E00	3				
17	COVER COMP R	11630-LGC6-E00	3	N1R			
18	COVER RADIATOR	19025-LGC6-E00	0				
19	ISOLATED PLATE	35852-LGC6-E00	0				
20	COVER UP ACHAIN	40510-LGC6-E00	5				
21	COVER UP B CHAIN	40511-LGC6-E00	1				
22	COVER UP B CHAIN	40511-LGC6-E01	2				
23	COVER LOW A CHAIN	40520-LGC6-E00	1				
24	COVER LOW B CHAIN	40521-LGC6-E00	1				
25	CASE BATTERY	50325-LGC6-E00	1				
DATE OF STARTING-SALES							
DATE OF END-SALES							

NO	MODEL			COLOR CHART OF SAA1AA(GR)						
	PHOTO NO			NO. 1	NO. 2	NO. 3	NO. 4			
	BASIC COLOR			Mat Blue	Mat Deep Blue	Mat Silver	Mat Metallic			
	CODE			Mat Blue	Mat Deep Blue	Mat Silver	Mat Metallic			
	PARTS NAME	PARTS NO.	VERSION	PB244FA	PB244FA	NH503FA	NH503FA			
26	COVER BATTERY	50326-LGC6-E00	1	N1R						
27	PROTECTOR	50329-LGC6-E00	0							
28	COVER UNDER	50613-LGC6-E00	0							
29	COVER FR MERTER	53203-LGC6-E00	0							
30	COVER METER	53204-LGC6-E00	4							
31	COVER HANDLE UP	53205-LGC6-E00	2							
32	COVER HANDLE LOW	53206-LGC6-E00	2							
33	FENDER ASSY FRONT	6111A-LGC6-E00	2							
34	HOLDER ASSY R WIND	64130-LGC6-E00	1							
35	COVERR WIND SCREEN	64140-LGC6-E00	3							
36	LID OBD COUPLER	64211-LGC6-E00	0							
37	HOLDER ASSY L WIND	64230-LGC6-E00	1							
38	COVERL WIND SCREEN	64240-LGC6-E00	3							
39	PANEL A R FLOOR	64310-LGC6-E00	0							
40	LID RESERVE TANK	64311-LGC6-E00	0							
41	MAT R FLOOR	64320-LGC6-E00	0							
42	PANEL A L FLOOR	64330-LGC6-E00	0							
43	MAT L FLOOR	64340-LGC6-E00	0							
44	MAT R LEG SHIELD	64350-LGC6-E00	0							
45	MAT L LEG SHIELD	64360-LGC6-E00	0							
46	PANEL B R FLOOR	64370-LGC6-E00	0							
47	PANEL B L FLOOR	64380-LGC6-E00	0							
48	COWL UNDER	64400-LGC6-E00	0							
49	FENDER RR TIRE	80100-LGC6-E00	3							
50	FENDER REAR	80105-LGC6-E00	1							
DATE OF STARTING-SALES										
DATE OF END-SALES										

NO	MODEL			COLOR CHART OF SAA1AA(GR)						
	PHOTO NO			NO. 5	NO. 6	NO. 7	NO. 8			
	BASIC COLOR			Mat Silver Crystal	Mat Black	Flat Black				
	CODE			Mat Silver Crystal	Mat Black	Flat Black				
	PARTS NAME	PARTS NO.	VERSION	NH263FA	NH397FA	NH397FA	NH506SA			
26	COVER BATTERY	50326-LGC6-E00	1	N1R						
27	PROTECTOR	50329-LGC6-E00	0							
28	COVER UNDER	50613-LGC6-E00	0							
29	COVER FR MERTER	53203-LGC6-E00	0							
30	COVER METER	53204-LGC6-E00	4							
31	COVER HANDLE UP	53205-LGC6-E00	2							
32	COVER HANDLE LOW	53206-LGC6-E00	2							
33	FENDER ASSY FRONT	6111A-LGC6-E00	2							
34	HOLDER ASSY R WIND	64130-LGC6-E00	1							
35	COVERR WIND SCREEN	64140-LGC6-E00	3							
36	LID OBD COUPLER	64211-LGC6-E00	0							
37	HOLDER ASSY L WIND	64230-LGC6-E00	1							
38	COVERL WIND SCREEN	64240-LGC6-E00	3							
39	PANEL A R FLOOR	64310-LGC6-E00	0							
40	LID RESERVE TANK	64311-LGC6-E00	0							
41	MAT R FLOOR	64320-LGC6-E00	0							
42	PANEL A L FLOOR	64330-LGC6-E00	0							
43	MAT L FLOOR	64340-LGC6-E00	0							
44	MAT R LEG SHIELD	64350-LGC6-E00	0							
45	MAT L LEG SHIELD	64360-LGC6-E00	0							
46	PANEL B R FLOOR	64370-LGC6-E00	0							
47	PANEL B L FLOOR	64380-LGC6-E00	0							
48	COWL UNDER	64400-LGC6-E00	0							
49	FENDER RR TIRE	80100-LGC6-E00	3							
50	FENDER REAR	80105-LGC6-E00	1							
DATE OF STARTING-SALES										
DATE OF END-SALES										

NO	MODEL			COLOR CHART OF SAA1AA(GR)					
	PHOTO NO			NO. 9	NO. 10	NO. 11			
	BASIC COLOR			Space Gray	Mat Brown	Flat Brown Crystal			
	CODE			Space Gray	Mat Brown	Flat Brown Crystal			
	PARTS NAME	PARTS NO.	VERSION	NH506SA	YR532FA	YR532FA			
26	COVER BATTERY	50326-LGC6-E00	1	N1R					
27	PROTECTOR	50329-LGC6-E00	0						
28	COVER UNDER	50613-LGC6-E00	0						
29	COVER FR MERTER	53203-LGC6-E00	0						
30	COVER METER	53204-LGC6-E00	4						
31	COVER HANDLE UP	53205-LGC6-E00	2						
32	COVER HANDLE LOW	53206-LGC6-E00	2						
33	FENDER ASSY FRONT	6111A-LGC6-E00	2						
34	HOLDER ASSY R WIND	64130-LGC6-E00	1						
35	COVERR WIND SCREEN	64140-LGC6-E00	3						
36	LID OBD COUPLER	64211-LGC6-E00	0						
37	HOLDER ASSY L WIND	64230-LGC6-E00	1						
38	COVERL WIND SCREEN	64240-LGC6-E00	3						
39	PANEL A R FLOOR	64310-LGC6-E00	0						
40	LID RESERVE TANK	64311-LGC6-E00	0						
41	MAT R FLOOR	64320-LGC6-E00	0						
42	PANEL A L FLOOR	64330-LGC6-E00	0						
43	MAT L FLOOR	64340-LGC6-E00	0						
44	MAT R LEG SHIELD	64350-LGC6-E00	0						
45	MAT L LEG SHIELD	64360-LGC6-E00	0						
46	PANEL B R FLOOR	64370-LGC6-E00	0						
47	PANEL B L FLOOR	64380-LGC6-E00	0						
48	COWL UNDER	64400-LGC6-E00	0						
49	FENDER RR TIRE	80100-LGC6-E00	3						
50	FENDER REAR	80105-LGC6-E00	1						
DATE OF STARTING-SALES									
DATE OF END-SALES									

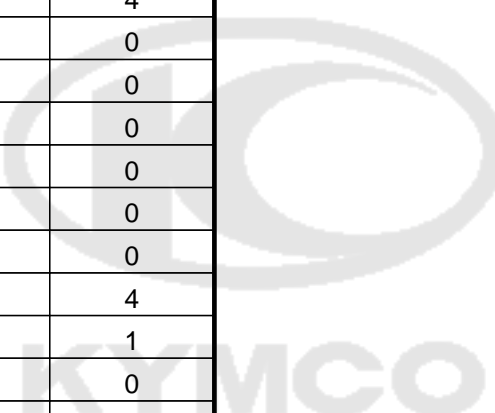
NO	MODEL			COLOR CHART OF SAA1AA(GR)			
	PHOTO NO			NO. 1	NO. 2	NO. 3	NO. 4
	BASIC COLOR			Mat Blue	Mat Deep Blue	Mat Silver	Mat Metallic
	CODE			Mat Blue	Mat Deep Blue	Mat Silver	Mat Metallic
	PARTS NAME	PARTS NO.	VERSION	PB244FA	PB244FA	NH503FA	NH503FA
51	COVER LICENSE	80107-LGC6-E00	1	N1R			
52	FENDER TIRE ASSY RR	8010B-LGC6-E00	2				
53	COVER ASSY. CENTER	8015B-LGC6-E00	4				
54	COVER B ASSY.CENTER	8015C-LGC6-E00	3				
55	BOARD A R SIDE	83520-LGC6-E00	0				
56	BOARD A L SIDE	83620-LGC6-E00	0				
57	COVER B.RR CENTER	83751-LGC6-E00	1				
58	BAND HARNESS WIRE	90656-KUDU-900	0	NEA			
59	SPROCKET DRIVEN	41201-LGC6-E00	7				
60	HOLDER RR CALIPER	43110-LGC6-E00	5				
61	STAY FR FENDER R	51421-LGC6-E00	4				
62	STAY FR FENDER L	51521-LGC6-E00	4	CVP			
63	COVER R SIDE	83510-LGC6-E00	0				
64	COVER L SIDE	83610-LGC6-E00	0	NEP			
65	FENDER COVER R SIDE	61101-LGC6-E00	1	NEP			
66	FENDER COVER L SIDE	61102-LGC6-E00	1				
67	SKIRT R SIDE	64305-LGC6-E00	0				
68	SKIRT L SIDE	64306-LGC6-E00	0	ZBP			
69	BOARD B R SIDE	83530-LGC6-E00	0				
70	BOARD B L SIDE	83630-LGC6-E00	0				
71	CAP ACG	90084-4H28-001	1	NJA			
72	CAP A.C.G	90084-KGG7-C00	0				
73	TAIL CAP	18306-LGC6-E00	1	T01			
74	MUFFLER ASSY..	1830A-LGC6-E00	9				
75	MUFF.	18318-LGC6-E00	1				
DATE OF STARTING-SALES							
DATE OF END-SALES							

NO	MODEL			COLOR CHART OF SAA1AA(GR)			
	PHOTO NO			NO. 5	NO. 6	NO. 7	NO. 8
	BASIC COLOR			Mat Silver Crystal	Mat Black	Flat Black	
	CODE			Mat Silver Crystal	Mat Black	Flat Black	
	PARTS NAME	PARTS NO.	VERSION	NH263FA	NH397FA	NH397FA	NH506SA
51	COVER LICENSE	80107-LGC6-E00	1	N1R			
52	FENDER TIRE ASSY RR	8010B-LGC6-E00	2				
53	COVER ASSY. CENTER	8015B-LGC6-E00	4				
54	COVER B ASSY.CENTER	8015C-LGC6-E00	3				
55	BOARD A R SIDE	83520-LGC6-E00	0				
56	BOARD A L SIDE	83620-LGC6-E00	0				
57	COVER B.RR CENTER	83751-LGC6-E00	1				
58	BAND HARNESS WIRE	90656-KUDU-900	0	NEA			
59	SPROCKET DRIVEN	41201-LGC6-E00	7				
60	HOLDER RR CALIPER	43110-LGC6-E00	5				
61	STAY FR FENDER R	51421-LGC6-E00	4				
62	STAY FR FENDER L	51521-LGC6-E00	4	NEP			
63	COVER R SIDE	83510-LGC6-E00	0				
64	COVER L SIDE	83610-LGC6-E00	0	JJP	JZP		
65	FENDER COVER R SIDE	61101-LGC6-E00	1	NEP			
66	FENDER COVER L SIDE	61102-LGC6-E00	1				
67	SKIRT R SIDE	64305-LGC6-E00	0				
68	SKIRT L SIDE	64306-LGC6-E00	0	NEP			
69	BOARD B R SIDE	83530-LGC6-E00	0				
70	BOARD B L SIDE	83630-LGC6-E00	0				
71	CAP ACG	90084-4H28-001	1	NJ A			
72	CAP A.C.G	90084-KGG7-C00	0				
73	TAIL CAP	18306-LGC6-E00	1	T01			
74	MUFFLER ASSY..	1830A-LGC6-E00	9				
75	MUFF.	18318-LGC6-E00	1				
DATE OF STARTING-SALES							
DATE OF END-SALES							

NO	MODEL			COLOR CHART OF SAA1AA(GR)			
	PHOTO NO			NO. 9	NO. 10	NO. 11	
	BASIC COLOR			Space Gray	Mat Brown	Flat Brown Crystal	
	CODE			Space Gray	Mat Brown	Flat Brown Crystal	
	PARTS NAME	PARTS NO.	VERSION	NH506SA	YR532FA	YR532FA	
51	COVER LICENSE	80107-LGC6-E00	1	N1R			
52	FENDER TIRE ASSY RR	8010B-LGC6-E00	2				
53	COVER ASSY. CENTER	8015B-LGC6-E00	4				
54	COVER B ASSY.CENTER	8015C-LGC6-E00	3				
55	BOARD A R SIDE	83520-LGC6-E00	0				
56	BOARD A L SIDE	83620-LGC6-E00	0				
57	COVER B.RR CENTER	83751-LGC6-E00	1				
58	BAND HARNESS WIRE	90656-KUDU-900	0				
59	SPROCKET DRIVEN	41201-LGC6-E00	7				NEA
60	HOLDER RR CALIPER	43110-LGC6-E00	5				
61	STAY FR FENDER R	51421-LGC6-E00	4				
62	STAY FR FENDER L	51521-LGC6-E00	4				
63	COVER R SIDE	83510-LGC6-E00	0	JZP	NEP		
64	COVER L SIDE	83610-LGC6-E00	0	NEP			
65	FENDER COVER R SIDE	61101-LGC6-E00	1				
66	FENDER COVER L SIDE	61102-LGC6-E00	1				
67	SKIRT R SIDE	64305-LGC6-E00	0				
68	SKIRT L SIDE	64306-LGC6-E00	0				
69	BOARD B R SIDE	83530-LGC6-E00	0				
70	BOARD B L SIDE	83630-LGC6-E00	0				
71	CAP ACG	90084-4H28-001	1	NJA			
72	CAP A.C.G	90084-KGG7-C00	0				
73	TAIL CAP	18306-LGC6-E00	1	T01			
74	MUFFLER ASSY..	1830A-LGC6-E00	9				
75	MUFF.	18318-LGC6-E00	1				
DATE OF STARTING-SALES							
DATE OF END-SALES							

NO	MODEL			COLOR CHART OF SAA1AA(GR)			
	PHOTO NO			NO. 1	NO. 2	NO. 3	NO. 4
	BASIC COLOR			Mat Blue	Mat Deep Blue	Mat Silver	Mat Metallic
	CODE			Mat Blue	Mat Deep Blue	Mat Silver	Mat Metallic
	PARTS NAME	PARTS NO.	VERSION	PB244FA	PB244FA	NH503FA	NH503FA
76	COVER. SILENCER	18319-LGC6-E00	1	T01			
77	LIGHT ASSY HEAD	33100-LGC6-E00	0				
78	OUTER RS HEAD LIGHT	33109-LGC6-E00	0				
79	FORK ASSY FR R	51400-LGC6-E00	5				
80	FORK ASSY FR L	51500-LGC6-E00	6				
81	CUSHION ASSY RR	52400-LGC6-E00	7				
82	TOP COVER	5320C-LGC6-E00	3				
83	WIND SCRRN ASSY.	6422A-LGC6-E00	4				
84	COVER FRONT	64301-LGC6-E00	0				
85	SEAT ASSY (REACH)	77200-LGC6-309	0				
86	LID FUEL CAP MAINT	80152-LGC6-E00	0				
87	COVER KEY	81151-LGC6-E00	0				
88	EMB HANDLE COVER	86020-LGC6-E00	0				
89	EMB KYMCO ASSY.	8620A-LGC6-E00	0				
90	STRIPE SIDE MOLD	86300-LGC6-E00	4				
91	CAUTION LABEL	87515-LGC6-E00	1				
92	NOTICE MOBILE PHONE	87541-ZZA6-E00	0				
93	LABEL FUEL TANK	87546-ADG5-E00	0				
94	MARK DRIVER CAUTION	87560-LGC6-E00	1				
95	GRILLE ASSY R BOARD	8353A-LGC6-E00	1				
96	GRILLE ASSY L BOARD	8363A-LGC6-E00	1				
97	EMB SIDE MOLD	86380-LGC6-E00	0	T02			
98	FORK ASSY RR L	52100-LGC6-E00	3				
99	FORK ASSY RR L/H	52100-LGC6-E01	4				
100	FORK CAST RR R/H	52120-LGC6-E00	2				
DATE OF STARTING-SALES							
DATE OF END-SALES							

NO	MODEL			COLOR CHART OF SAA1AA(GR)			
	PHOTO NO			NO. 5	NO. 6	NO. 7	NO. 8
	BASIC COLOR			Mat Silver Crystal	Mat Black	Flat Black	
	CODE			Mat Silver Crystal	Mat Black	Flat Black	
	PARTS NAME	PARTS NO.	VERSION	NH263FA	NH397FA	NH397FA	NH506SA
76	COVER. SILENCER	18319-LGC6-E00	1	T01			
77	LIGHT ASSY HEAD	33100-LGC6-E00	0				
78	OUTER RS HEAD LIGHT	33109-LGC6-E00	0				
79	FORK ASSY FR R	51400-LGC6-E00	5				
80	FORK ASSY FR L	51500-LGC6-E00	6				
81	CUSHION ASSY RR	52400-LGC6-E00	7				
82	TOP COVER	5320C-LGC6-E00	3				
83	WIND SCRRN ASSY.	6422A-LGC6-E00	4				
84	COVER FRONT	64301-LGC6-E00	0				
85	SEAT ASSY (REACH)	77200-LGC6-309	0				
86	LID FUEL CAP MAINT	80152-LGC6-E00	0				
87	COVER KEY	81151-LGC6-E00	0				
88	EMB HANDLE COVER	86020-LGC6-E00	0				
89	EMB KYMCO ASSY.	8620A-LGC6-E00	0				
90	STRIPE SIDE MOLD	86300-LGC6-E00	4				
91	CAUTION LABEL	87515-LGC6-E00	1				
92	NOTICE MOBILE PHONE	87541-ZZA6-E00	0				
93	LABEL FUEL TANK	87546-ADG5-E00	0				
94	MARK DRIVER CAUTION	87560-LGC6-E00	1				
95	GRILLE ASSY R BOARD	8353A-LGC6-E00	1				
96	GRILLE ASSY L BOARD	8363A-LGC6-E00	1				
97	EMB SIDE MOLD	86380-LGC6-E00	0	T02			
98	FORK ASSY RR L	52100-LGC6-E00	3				
99	FORK ASSY RR L/H	52100-LGC6-E01	4				
100	FORK CAST RR R/H	52120-LGC6-E00	2				
DATE OF STARTING-SALES							
DATE OF END-SALES							

NO	MODEL			COLOR CHART OF SAA1AA(GR)			
	PHOTO NO			NO. 9	NO. 10	NO. 11	
	BASIC COLOR			Space Gray	Mat Brown	Flat Brown Crystal	
	CODE			Space Gray	Mat Brown	Flat Brown Crystal	
	PARTS NAME	PARTS NO.	VERSION	NH506SA	YR532FA	YR532FA	
76	COVER. SILENCER	18319-LGC6-E00	1	 T01			
77	LIGHT ASSY HEAD	33100-LGC6-E00	0				
78	OUTER RS HEAD LIGHT	33109-LGC6-E00	0				
79	FORK ASSY FR R	51400-LGC6-E00	5				
80	FORK ASSY FR L	51500-LGC6-E00	6				
81	CUSHION ASSY RR	52400-LGC6-E00	7				
82	TOP COVER	5320C-LGC6-E00	3				
83	WIND SCRRN ASSY.	6422A-LGC6-E00	4				
84	COVER FRONT	64301-LGC6-E00	0				
85	SEAT ASSY (REACH)	77200-LGC6-309	0				
86	LID FUEL CAP MAINT	80152-LGC6-E00	0				
87	COVER KEY	81151-LGC6-E00	0				
88	EMB HANDLE COVER	86020-LGC6-E00	0				
89	EMB KYMCO ASSY.	8620A-LGC6-E00	0				
90	STRIPE SIDE MOLD	86300-LGC6-E00	4				
91	CAUTION LABEL	87515-LGC6-E00	1				
92	NOTICE MOBILE PHONE	87541-ZZA6-E00	0				
93	LABEL FUEL TANK	87546-ADG5-E00	0				
94	MARK DRIVER CAUTION	87560-LGC6-E00	1				
95	GRILLE ASSY R BOARD	8353A-LGC6-E00	1				
96	GRILLE ASSY L BOARD	8363A-LGC6-E00	1				
97	EMB SIDE MOLD	86380-LGC6-E00	0				
98	FORK ASSY RR L	52100-LGC6-E00	3				
99	FORK ASSY RR L/H	52100-LGC6-E01	4				
100	FORK CAST RR R/H	52120-LGC6-E00	2				
DATE OF STARTING-SALES							
DATE OF END-SALES							

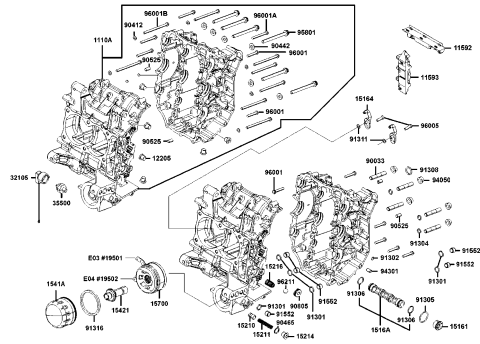
NO	MODEL			COLOR CHART OF SAA1AA(GR)			
	PHOTO NO			NO. 1	NO. 2	NO. 3	NO. 4
	BASIC COLOR			Mat Blue	Mat Deep Blue	Mat Silver	Mat Metallic
	CODE			Mat Blue	Mat Deep Blue	Mat Silver	Mat Metallic
	PARTS NAME	PARTS NO.	VERSION	PB244FA	PB244FA	NH503FA	NH503FA
101	FORK CAST RR R/H	52120-LGC6-E01	3	T02			
102	HOLDER ASSY FINAL	52130-LGC6-E00	5				
103	CAP FINAL SHAFT	52133-LGC6-E00	4				
104	EMB K-LOGO	86102-LGC6-E00	3	T03			
DATE OF STARTING-SALES							
DATE OF END-SALES							

NO	MODEL			COLOR CHART OF SAA1AA(GR)			
	PHOTO NO			NO. 5	NO. 6	NO. 7	NO. 8
	BASIC COLOR			Mat Silver Crystal	Mat Black	Flat Black	
	CODE			Mat Silver Crystal	Mat Black	Flat Black	
	PARTS NAME	PARTS NO.	VERSION	NH263FA	NH397FA	NH397FA	NH506SA
101	FORK CAST RR R/H	52120-LGC6-E01	3	T02			
102	HOLDER ASSY FINAL	52130-LGC6-E00	5				
103	CAP FINAL SHAFT	52133-LGC6-E00	4				
104	EMB K-LOGO	86102-LGC6-E00	3	T03			
DATE OF STARTING-SALES							
DATE OF END-SALES							

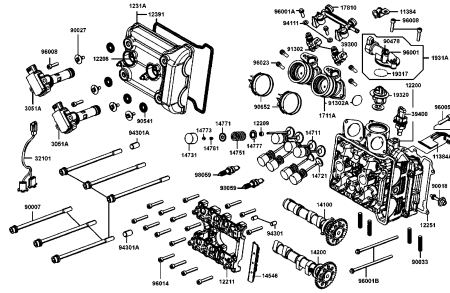
NO	MODEL			COLOR CHART OF SAA1AA(GR)			
	PHOTO NO			NO. 9	NO. 10	NO. 11	
	BASIC COLOR			Space Gray	Mat Brown	Flat Brown Crystal	
	CODE			Space Gray	Mat Brown	Flat Brown Crystal	
	PARTS NAME	PARTS NO.	VERSION	NH506SA	YR532FA	YR532FA	
101	FORK CAST RR R/H	52120-LGC6-E01	3	T02 T03			
102	HOLDER ASSY FINAL	52130-LGC6-E00	5				
103	CAP FINAL SHAFT	52133-LGC6-E00	4				
104	EMB K-LOGO	86102-LGC6-E00	3				
DATE OF STARTING-SALES							
DATE OF END-SALES							

CONTENTS - ENGINE GROUP

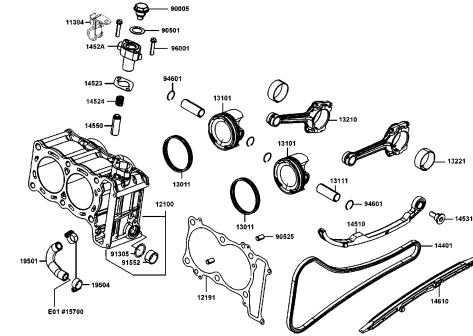
E01 Crank Case



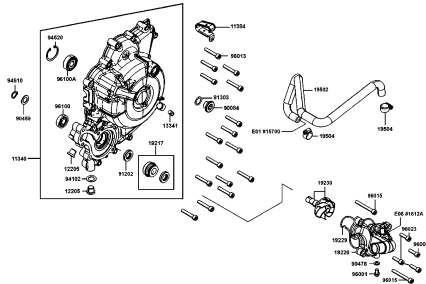
E02 Cylinder Head Cover Cylinder



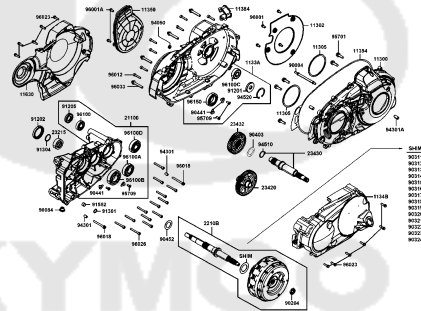
E03 Cylinder Piston



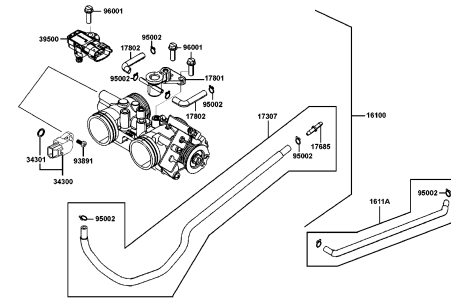
E04 Left Side Cover Water Pump



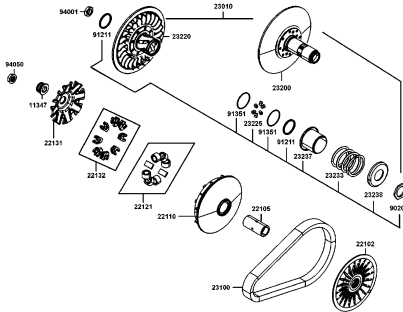
E05 Right Crankcase Cover Shaft



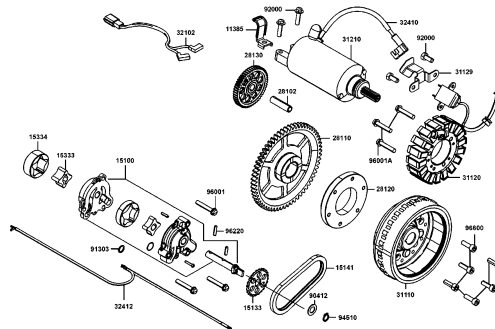
E06 Throttle Body



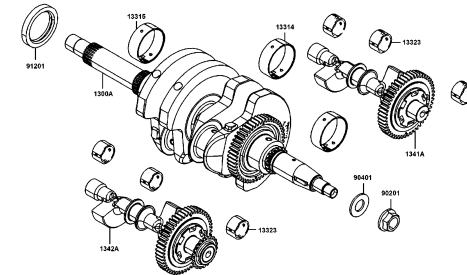
E07 Transmission Pulley



E08 Starting Motor Generator

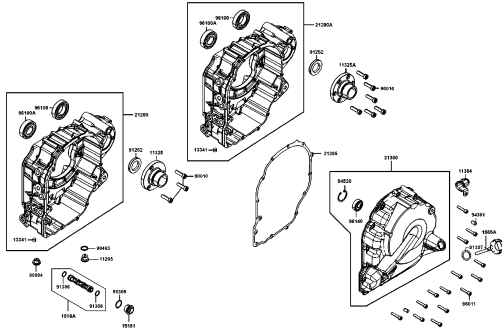


E09 Crank Shaft Drive Procket



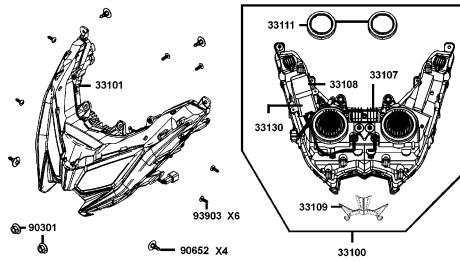
CONTENTS - ENGINE GROUP

E10 CASE COMP L MISSION

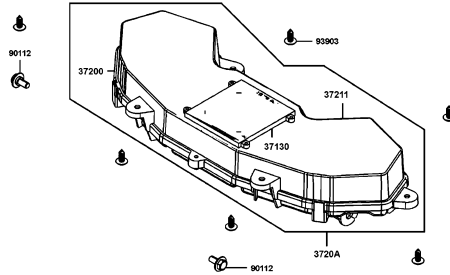


CONTENTS - FRAME GROUP

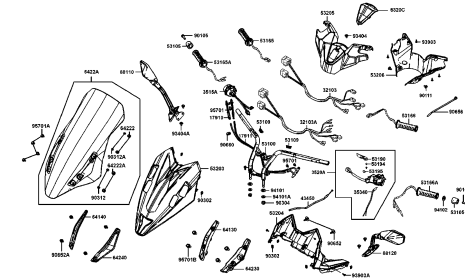
F01 Head Light



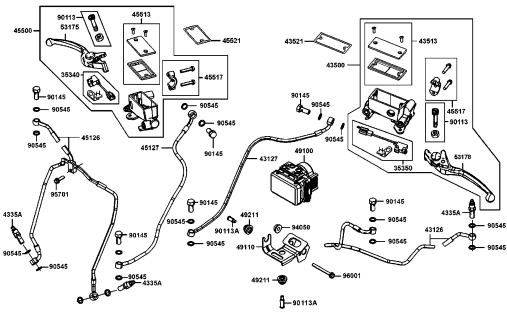
F02 Speedometer



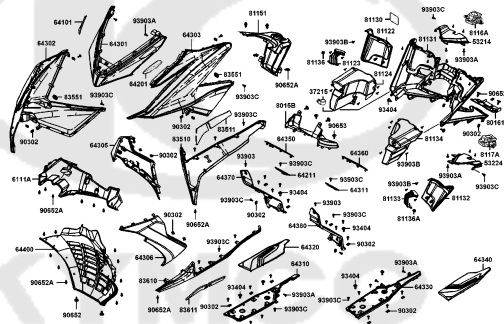
F03 Handle Steering Handle Cover



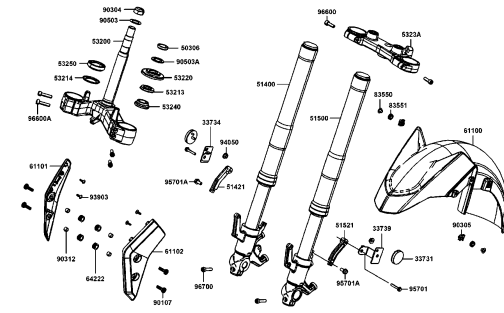
F04 Brake Master Cylinder



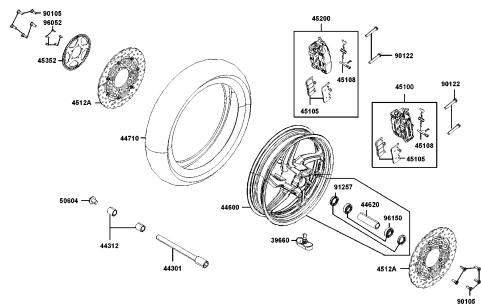
F05 Front Cover Floor Panel



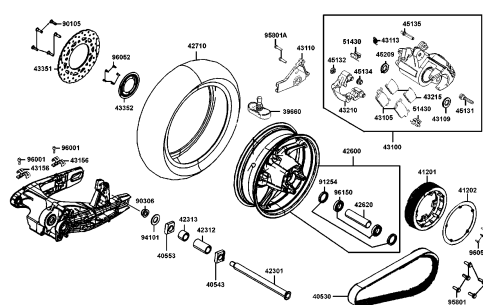
F06 Front Cushion



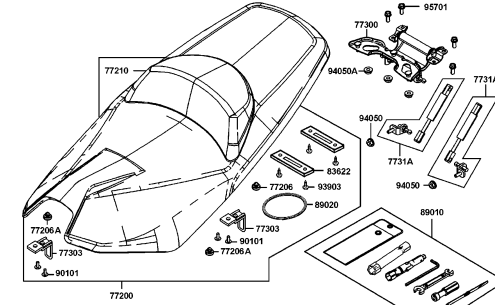
F07 Front Wheel



F08 Rear Wheel

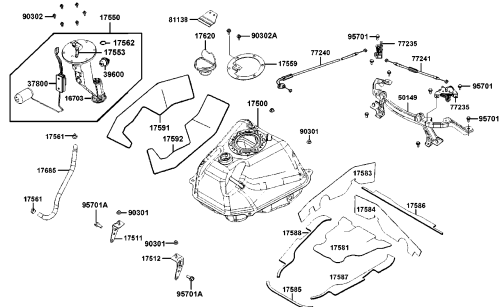


F09 Seat

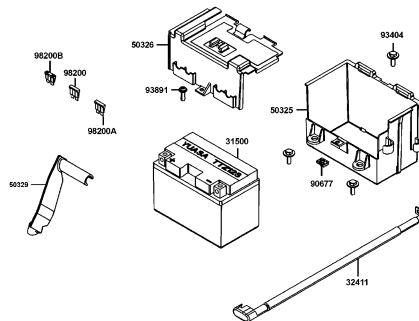


CONTENTS - FRAME GROUP

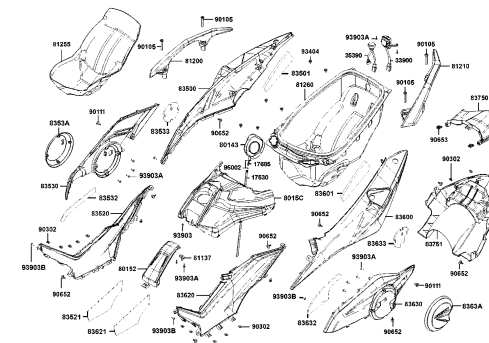
F10 Fuel Tank



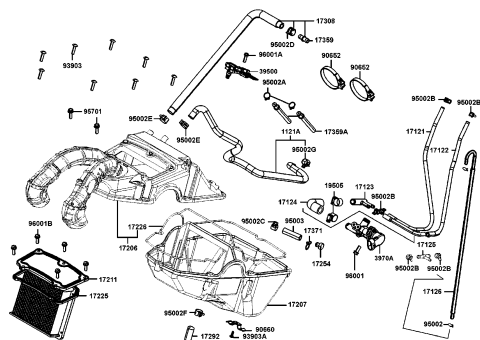
F11 Battery



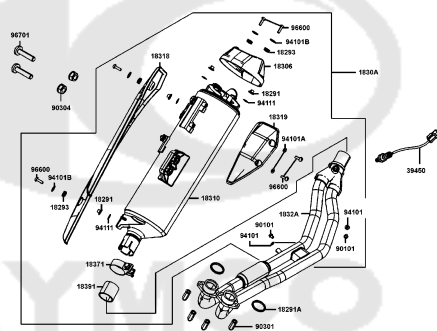
F12 Body Cover Luggage Box



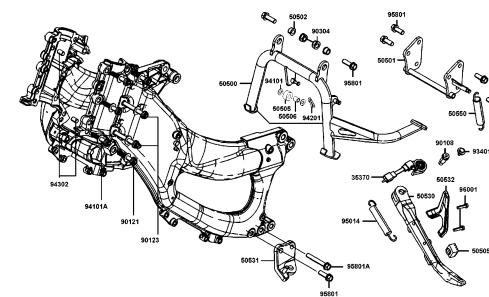
F13 Air Cleaner



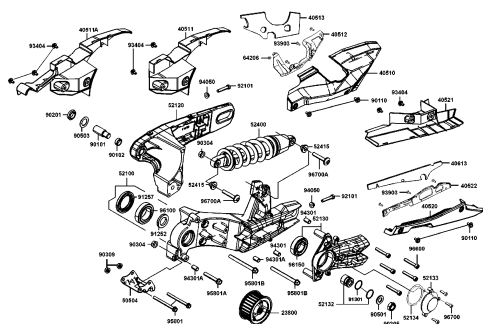
F14 Exhaust Muffler



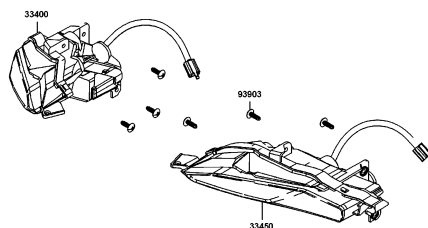
F15 Fr Body Frame Stand



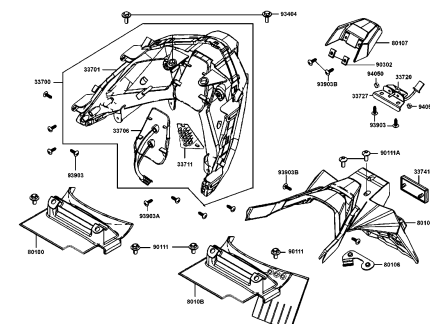
F16 Rear Cushion



F17 Front Winker RR WINKER

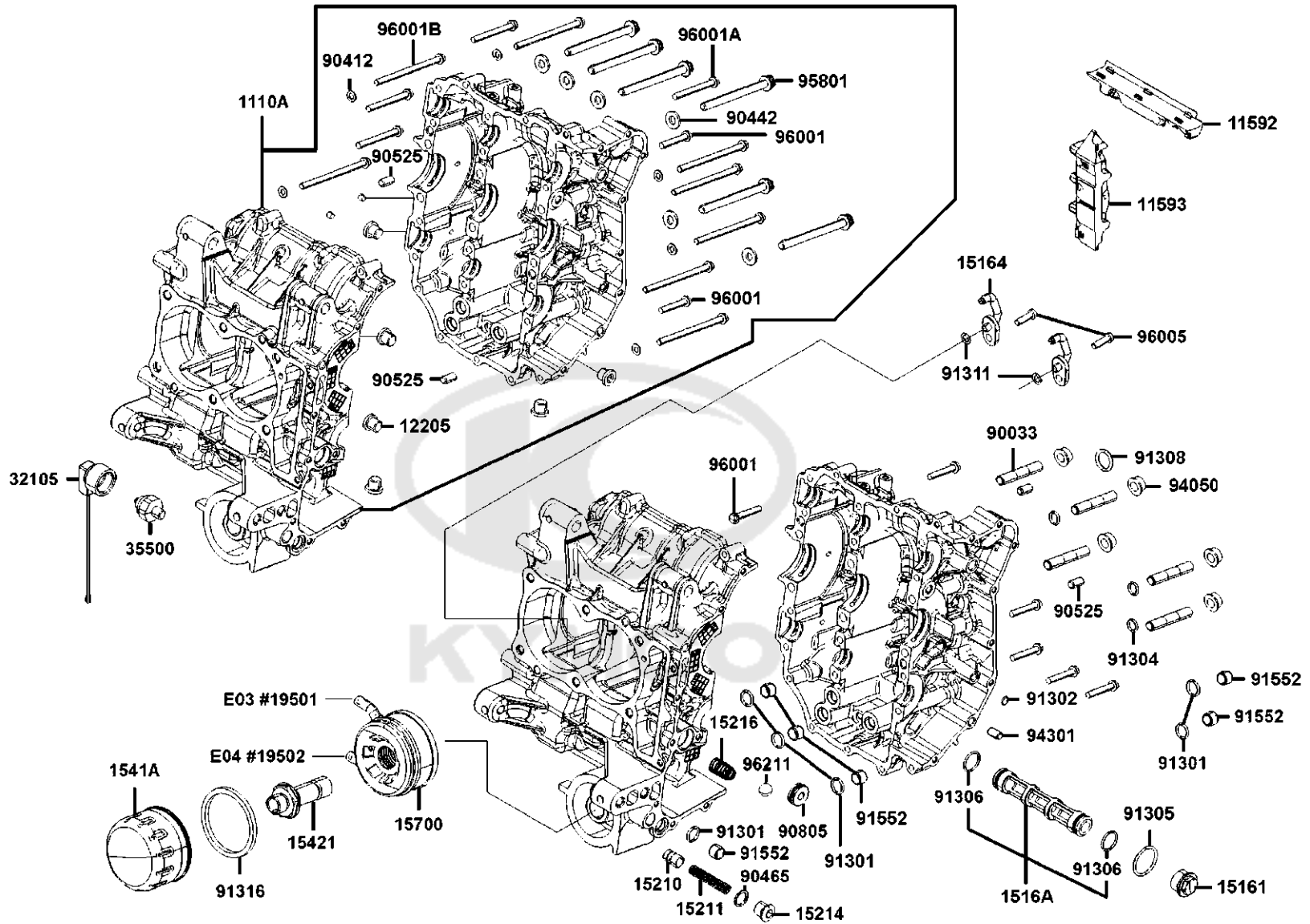


F18 Rear Light Rear Fender



E01

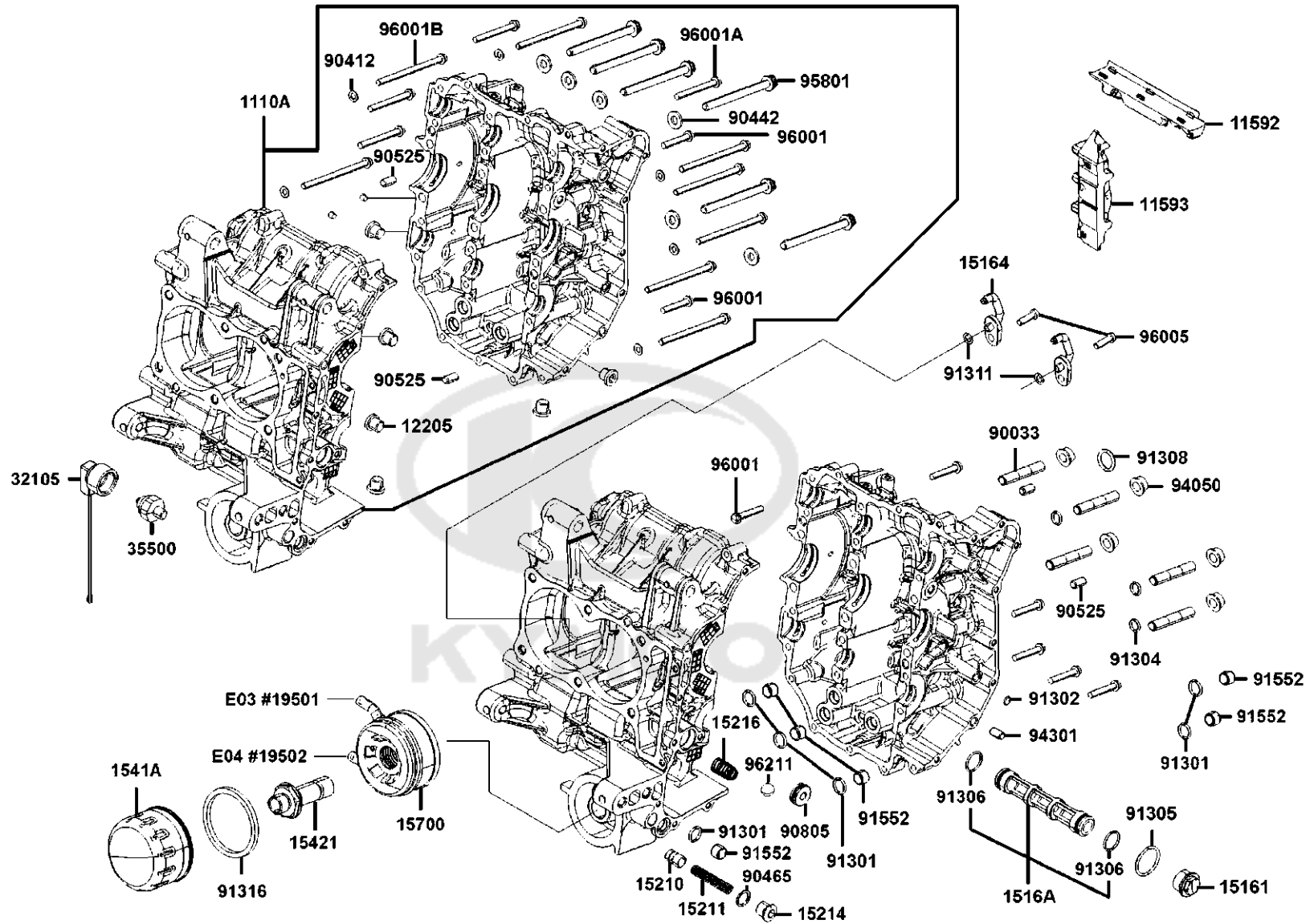
Crank Case



Sales mark	Ref no	Part no	Description	Reg description	Regd no	E01
	1110A	1110A-LGC6-E00	CRANKCASE ASSEMBLY	CRANKCASE ASSEMBLY	1	
	11592	11592-LGC6-E00	RUBBER B INSERT CASE	RUBBER B INSERT CASE	1	
	11593	11593-LGC6-E00	RUBBER C INSERT CASE	RUBBER C INSERT CASE	1	
	12205	12205-LEA7-E00	BOLT SEALING 12MM	BOLT SEALING 12MM	6	
	15161	15161-LGC6-E00	PLUG SCREW SECTION FILTER	PLUG SCREW SECTION FILTER	1	
	15164	15164-LGC6-E00	PISTON COOLING JET	PISTON COOLING JET	1	
	1516A	1516A-LGC6-E00	SUCTION FILTER ASSY CRANK SIDE	SUCTION FILTER ASSY CRANK SIDE	1	
	15210	15210-PUA5-E00	PISTON PRESSURE VALVE D=12mm	PISTON PRESSURE VALVE D=12mm	1	
	15211	15211-LGC6-E00	COMPRESSION SPRING	COMPRESSION SPRING	1	
	15214	15214-PUA5-E00	PLUG SCREW COMPRESSION SPRING	PLUG SCREW COMPRESSION SPRING	1	
	15216	15216-LGC6-E00	COMPRESSION SPRING	COMPRESSION SPRING	1	
	1541A	1541A-LGC6-E00	OIL FILTER ASSY	OIL FILTER ASSY	1	
	15421	15421-PRA1-E00	OIL FILTER PIPE	OIL FILTER PIPE	1	
	15700	15700-LGC6-E00	OIL WATER HEAT EXCHANGER	OIL WATER HEAT EXCHANGER	1	
	32105	32105-LLJ3-E00	SUB HARNESS	SUB HARNESS	1	
	35500	35500-KED9-900	SW ASSY OIL PRESSURE	SW ASSY OIL PRESSURE	1	
	90033	90033-LGC6-E00	BOLT STUD 10X35	BOLT STUD 10X35	5	
	90412	90412-PUA5-E00	WASHER A6.1*11.5-A1	WASHER A6.1*11.5-A1	6	
	90442	90442-0H28-001	WASHER SEALING 8M/M	WASHER SEALING 8M/M	6	
	90442	90442-LGC6-E00	SEALING WASHER 18X8.5X2.3	SEALING WASHER 18X8.5X2.3	6	

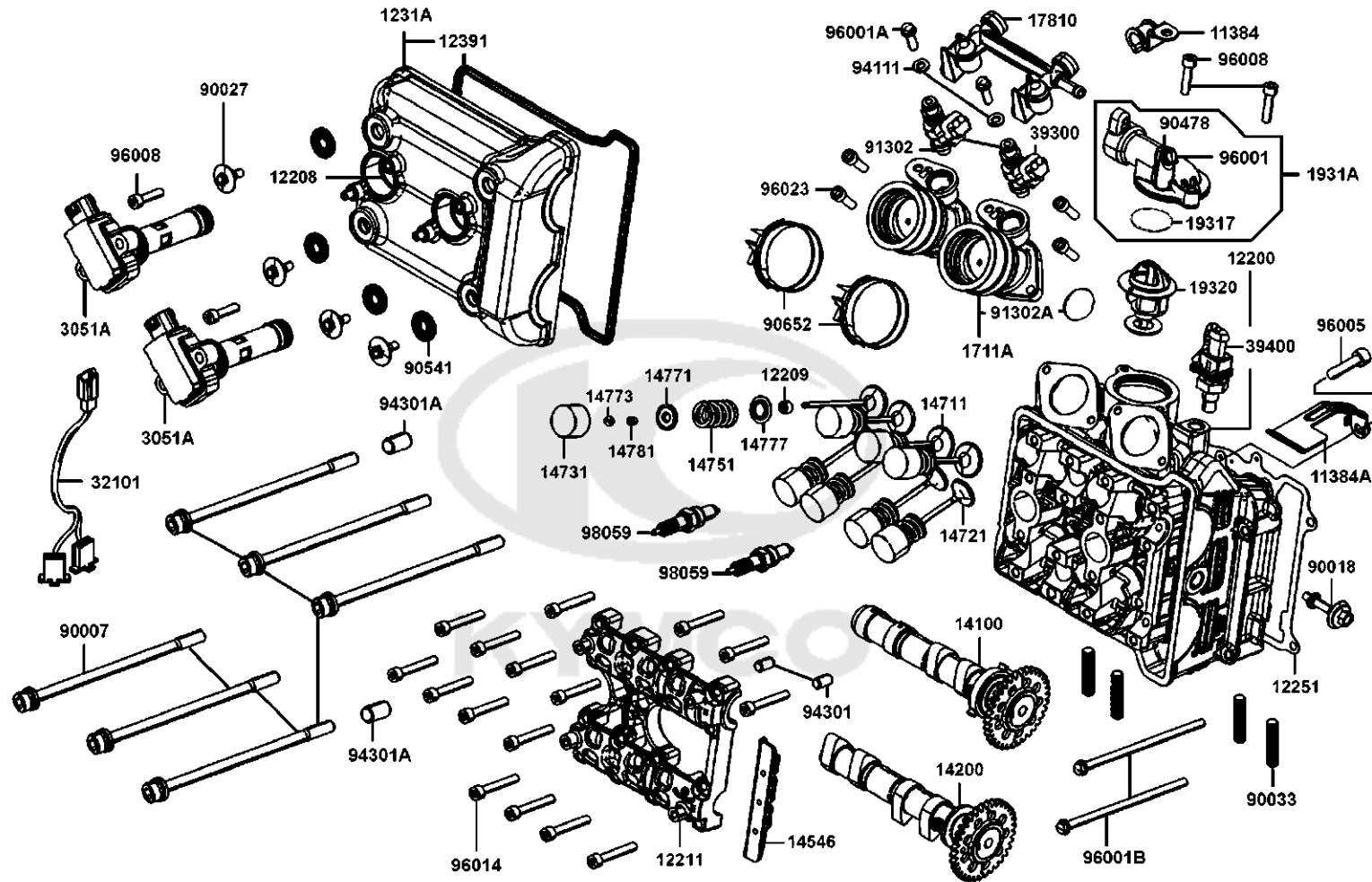
E01

Crank Case



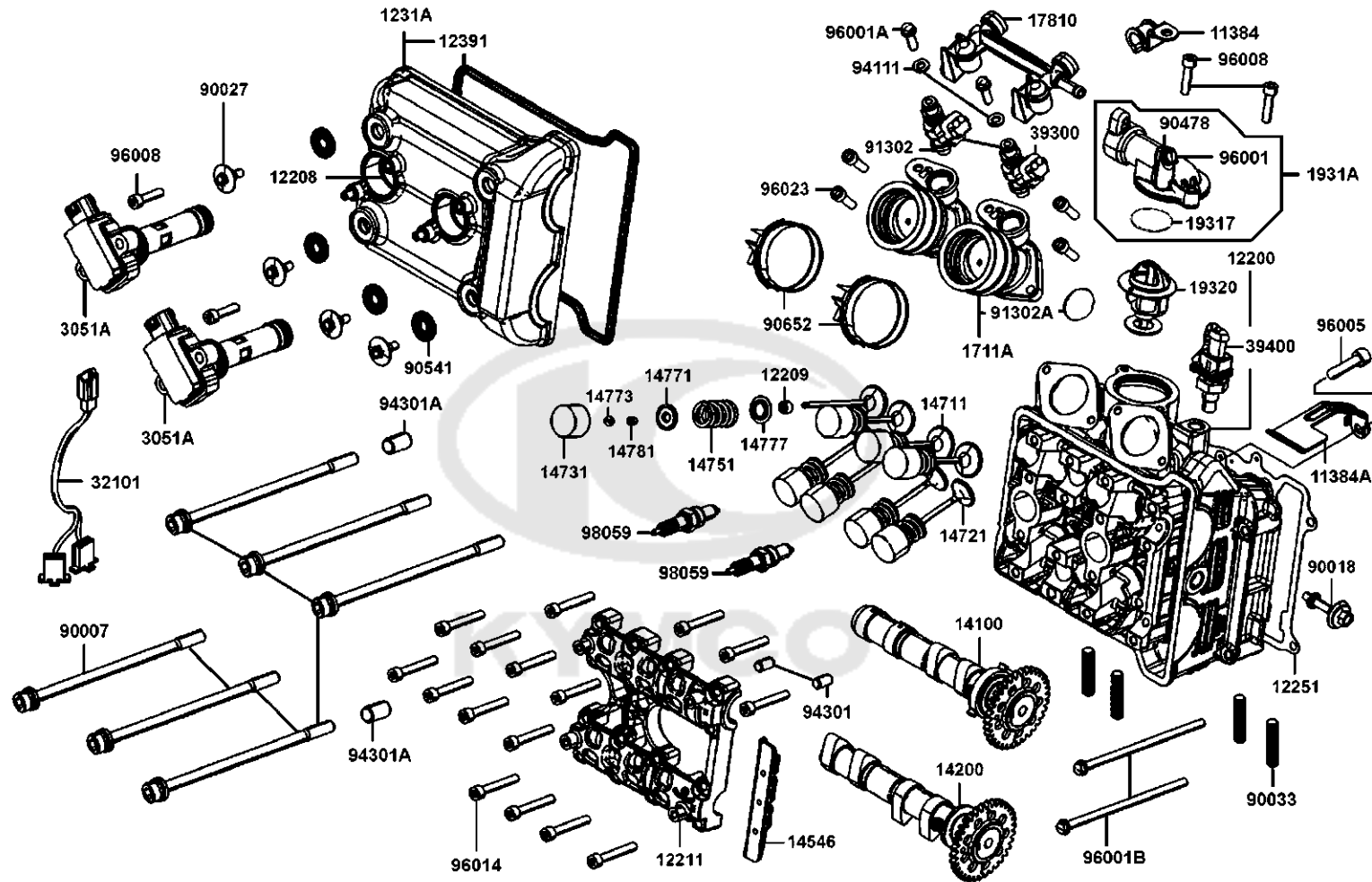
Sales mark	Ref no	Part no	Description	Reg description	Regd no	E01
	90465	90465-PUA5-E00	WASHER DIN7603-A14*20-CU	WASHER DIN7603-A14*20-CU	1	
	90525	90525-KED9-900	LOCK PIN 8*16	LOCK PIN 8*16	2	
	90805	90805-LGC6-E00	CONE TYPE PLUG SPECIAL	CONE TYPE PLUG SPECIAL	1	
	91301	91301-LGC6-E00	O RING	O RING	1	
	91302	91302-PRA1-E00	O-RING 7X17	O-RING 7X17	1	
	91304	91304-LFA7-E00	O-RING 9.4*2.4	O-RING 9.4*2.4	3	
	91305	91305-LEH6-E00	O RING 19.8x1.9	O RING 19.8x1.9	1	
	91306	91306-PUA5-E00	O-RING 13*1.5	O-RING 13*1.5	2	
	91308	91308-LGC6-E00	O-RING 16*3.2	O-RING 16*3.2	1	
	91311	91311-PRA1-E00	O-RING 5.4X2.4 (FOR OIL PIPE)	O-RING 5.4X2.4 (FOR OIL PIPE)	2	
	91316	91316-PRA1-E00	O-RING 64X3	O-RING 64X3	1	
	91552	91552-LGC6-E00	COLLAR 13MM	COLLAR 13MM	6	
	94050	94050-10060	NUT FLANGE 10MM	NUT FLANGE 10MM	5	
	94301	94301-08140	DOWEL PIN 8*14	DOWEL PIN 8*14	1	
	95801	95801-08090-06	BOLT FLANGE 8*90	BOLT FLANGE 8*90	6	
	96001	96001-06035-06	BOLT FLANGE SH 6*35	BOLT FLANGE SH 6*35	8	
	96001A	96001-06055-06	BOLT FLANGE 6X55	BOLT FLANGE 6X55	4	
	96001B	96001-06090-06	BOLT FLANGE SH 6*90	BOLT FLANGE SH 6*90	8	
	96005	96005-PRA1-E00	BOLT M6*12	BOLT M6*12	2	
	96211	96211-16000	BALL STEEL #16	BALL STEEL #16	1	

Cylinder Head Cover Cylinder Head



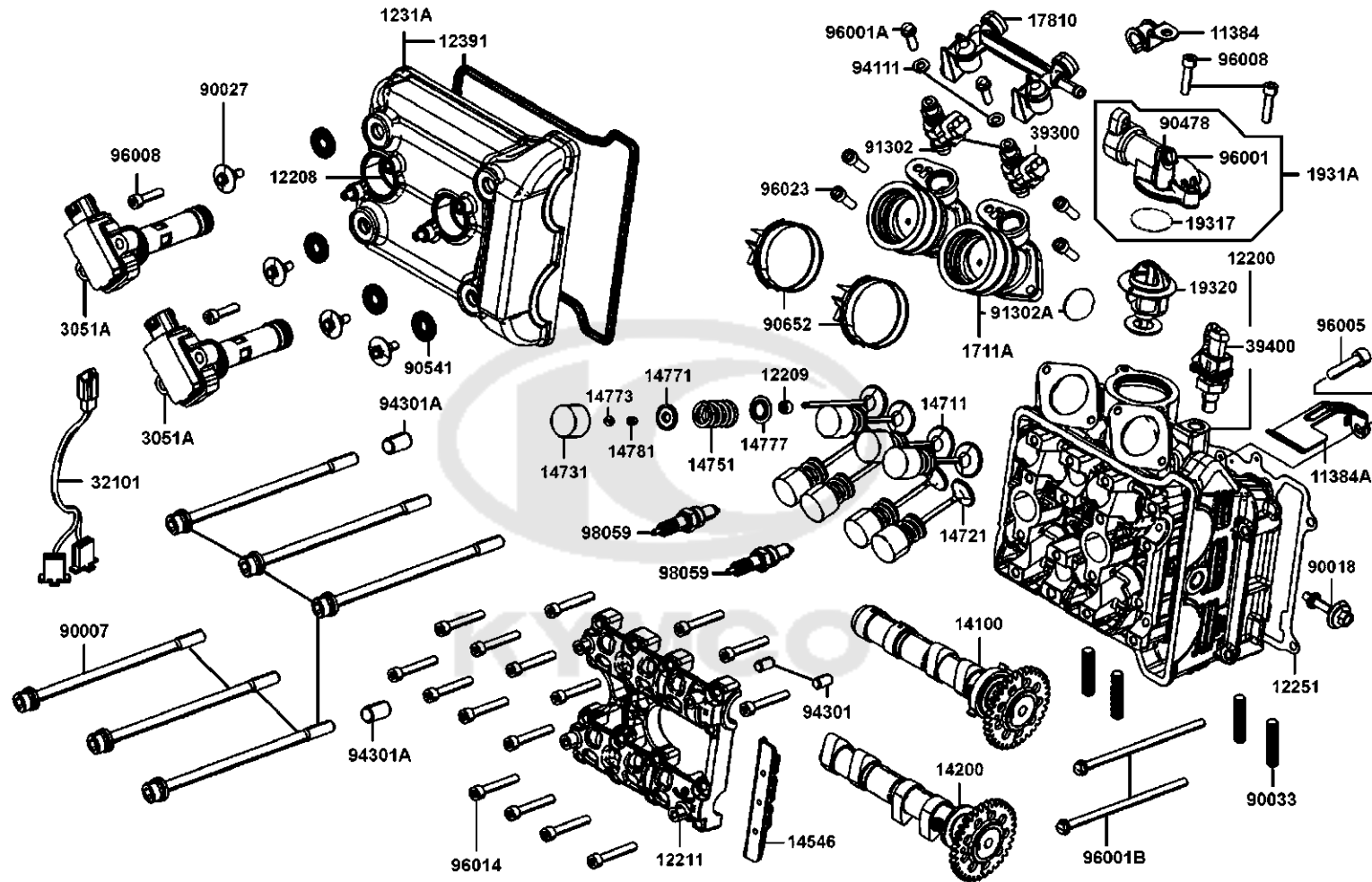
Sales mark	Ref no	Part no	Description	Reg description	Regd no	E02
11384		11384-LEA7-E05	CLIP WATER PIPE	CLIP WATER PIPE	1	
11384A		11384-LGC6-E02	CLAMPER HOSE STOPPER	CLAMPER HOSE STOPPER	1	
12200		12200-LGC6-E00	HEAD COMP CYLINDER	HEAD COMP CYLINDER	1	
12208		12208-LGC6-E00	SEAL.TUBE SPARK	SEAL.TUBE SPARK	2	
12209		12209-LEA3-900	SEAL VALVE STEM	SEAL VALVE STEM	8	
12211		12211-LGC6-E00	HOLDER. CAM SHAFT	HOLDER. CAM SHAFT	1	
12251		12251-LGC6-E00	GASKET CYLINDER HEAD	GASKET CYLINDER HEAD	1	
1231A		1231A-LGC6-E00	COVER ASSY CYLN HEAD	COVER ASSY CYLN HEAD	1	
12391		12391-LGC6-E00	SEAL HEAD COVER	SEAL HEAD COVER	1	
14100		14100-LGC6-E00	CAMSHAFT COMP INLET	CAMSHAFT COMP INLET	0	
14200		14200-LGC6-E00	CAMSHAFT COMP EXHAUST	CAMSHAFT COMP EXHAUST	1	
14546		14546-LGC6-E00	CHAIN GUIDE UPPER ASM	CHAIN GUIDE UPPER ASM	1	
14711		14711-LGC6-E00	VALVE. INLET	VALVE. INLET	4	
14721		14721-LGC6-E00	VALVE. EXHAUST	VALVE. EXHAUST	4	
14731		14731-LGC6-E00	LIFTER VALVE	LIFTER VALVE	8	
14751		14751-LGC6-E00	SPRING VALVE	SPRING VALVE	8	
14771		14771-LGC6-C00	RETAINER ALVE SPRING	RETAINER ALVE SPRING	8	
14773		14773-LGC6-E00-01	SHIM 1.50	SHIM 1.50	1	
14773		14773-LGC6-E00-02	SHIM 1.55	SHIM 1.55	1	
14773		14773-LGC6-E00-03	SHIM 1.575	SHIM 1.575	1	

Cylinder Head Cover Cylinder Head



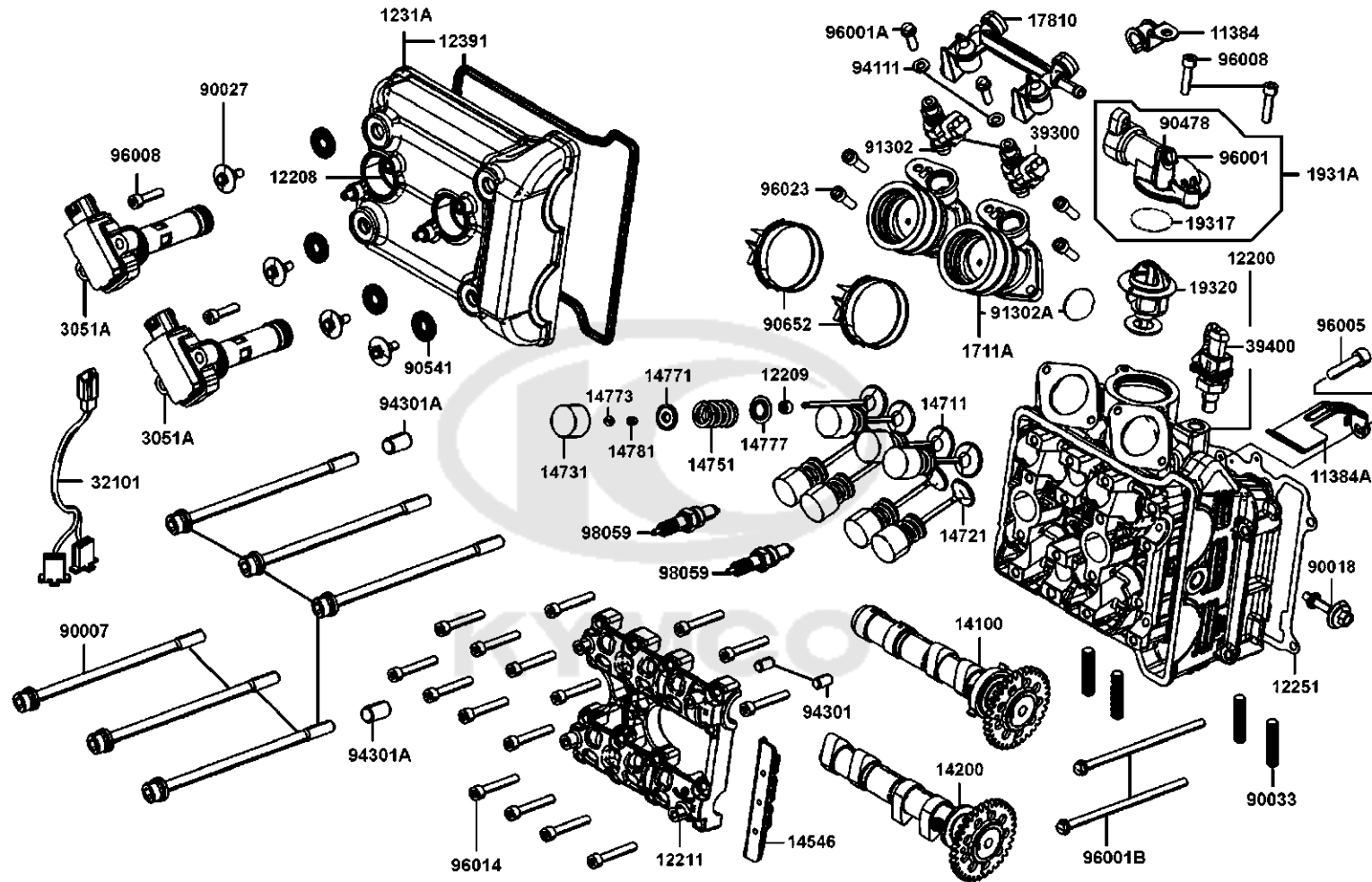
Sales mark	Ref no	Part no	Description	Reg description	Regd no	E02
14773		14773-LGC6-E00-04	SHIM 1.60	SHIM 1.60	1	
14773		14773-LGC6-E00-05	SHIM 1.625	SHIM 1.625	1	
14773		14773-LGC6-E00-06	SHIM 1.65	SHIM 1.65	1	
14773		14773-LGC6-E00-07	SHIM 1.675	SHIM 1.675	1	
14773		14773-LGC6-E00-08	SHIM 1.70	SHIM 1.70	1	
14773		14773-LGC6-E00-09	SHIM 1.725	SHIM 1.725	1	
14773		14773-LGC6-E00-10	SHIM 1.75	SHIM 1.75	1	
14773		14773-LGC6-E00-11	SHIM 1.775	SHIM 1.775	1	
14773		14773-LGC6-E00-12	SHIM 1.80	SHIM 1.80	1	
14773		14773-LGC6-E00-13	SHIM 1.825	SHIM 1.825	1	
14773		14773-LGC6-E00-14	SHIM 1.85	SHIM 1.85	1	
14773		14773-LGC6-E00-15	SHIM 1.875	SHIM 1.875	1	
14773		14773-LGC6-E00-16	SHIM 1.90	SHIM 1.90	1	
14773		14773-LGC6-E00-17	SHIM 1.925	SHIM 1.925	1	
14773		14773-LGC6-E00-18	SHIM 1.95	SHIM 1.95	1	
14773		14773-LGC6-E00-19	SHIM 2.0	SHIM 2.0	1	
14777		14777-LGC6-E00	SEAT VALVE SPG	SEAT VALVE SPG	8	
14781		14781-LGC6-C00	COTTER VALVE	COTTER VALVE	16	
1711A		1711A-LGC6-E00	PIPE ASSY.. INLET	PIPE ASSY.. INLET	1	
17810		17810-LGC6-E00	RAIL COMP FUEL SUPPLY	RAIL COMP FUEL SUPPLY	1	

Cylinder Head Cover Cylinder Head

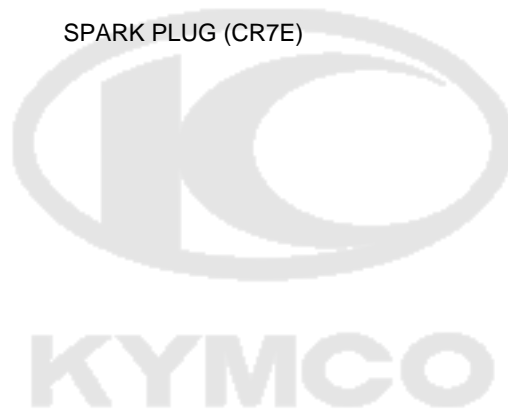


Sales mark	Ref no	Part no	Description	Reg description	Regd no	E02
	19300	19300-LBA2-E00	THERMOSTAT ASSY	THERMOSTAT ASSY	1	
	19317	19317-LBA2-E00	RING 48.3X2	RING 48.3X2	1	
	1931A	1931A-LGC6-E00	COVER ASSY THERMOSTAT	COVER ASSY THERMOSTAT	1	
	19320	19320-KED9-90A	THERMOSTAT	THERMOSTAT	1	
	3051A	3051A-LGC6-E00	COIL ASSY IGN	COIL ASSY IGN	1	
	32101	32101-LGC6-E00	SUB HARNESS COIL	SUB HARNESS COIL	1	
	39300	39300-KKE5-800	INJECTOR UNIT FUEL	INJECTOR UNIT FUEL	1	
	39400	39400-LEA6-800	COLLANT TEMPRATURE SENSOR	COLLANT TEMPRATURE SENSOR	1	
	90007	90007-LGC6-E00	BOLT WASHER 9X160	BOLT WASHER 9X160	6	
	90018	90018-KKE5-E00	BOLT ASSY HEAD COVER	BOLT ASSY HEAD COVER	1	
	90027	90027-PUA5-E00	JACK SCREW M6 VALVE COVER 6*17	JACK SCREW M6 VALVE COVER 6*17	4	
	90033	90033-KGB4-C00	BOLT STUD M8X40 (C)	BOLT STUD M8X40 (C)	4	
	90478	90478-7L00-001	WASHER A 6MM	WASHER A 6MM	1	
	90541	90541-PUA5-E00	PROFILE SEALING WASHER	PROFILE SEALING WASHER	4	
	90652	90652-GFY6-901	BAND 49 AIR/C CONNECTING TUBE	BAND 49 AIR/C CONNECTING TUBE	2	
	91302	91302-KKE5-800	SEAL RING	SEAL RING	1	
	91302A	91302-LDB2-E00	O-RING 37*3	O-RING 37*3	1	
	94111	94111-06800	WASHER SPG 6MM (C)	WASHER SPG 6MM (C)	2	
	94301	94301-08140	DOWEL PIN 8*14	DOWEL PIN 8*14	2	
	94301A	94301-12200	DOWEL PIN 12x20	DOWEL PIN 12x20	2	

Cylinder Head Cover Cylinder Head

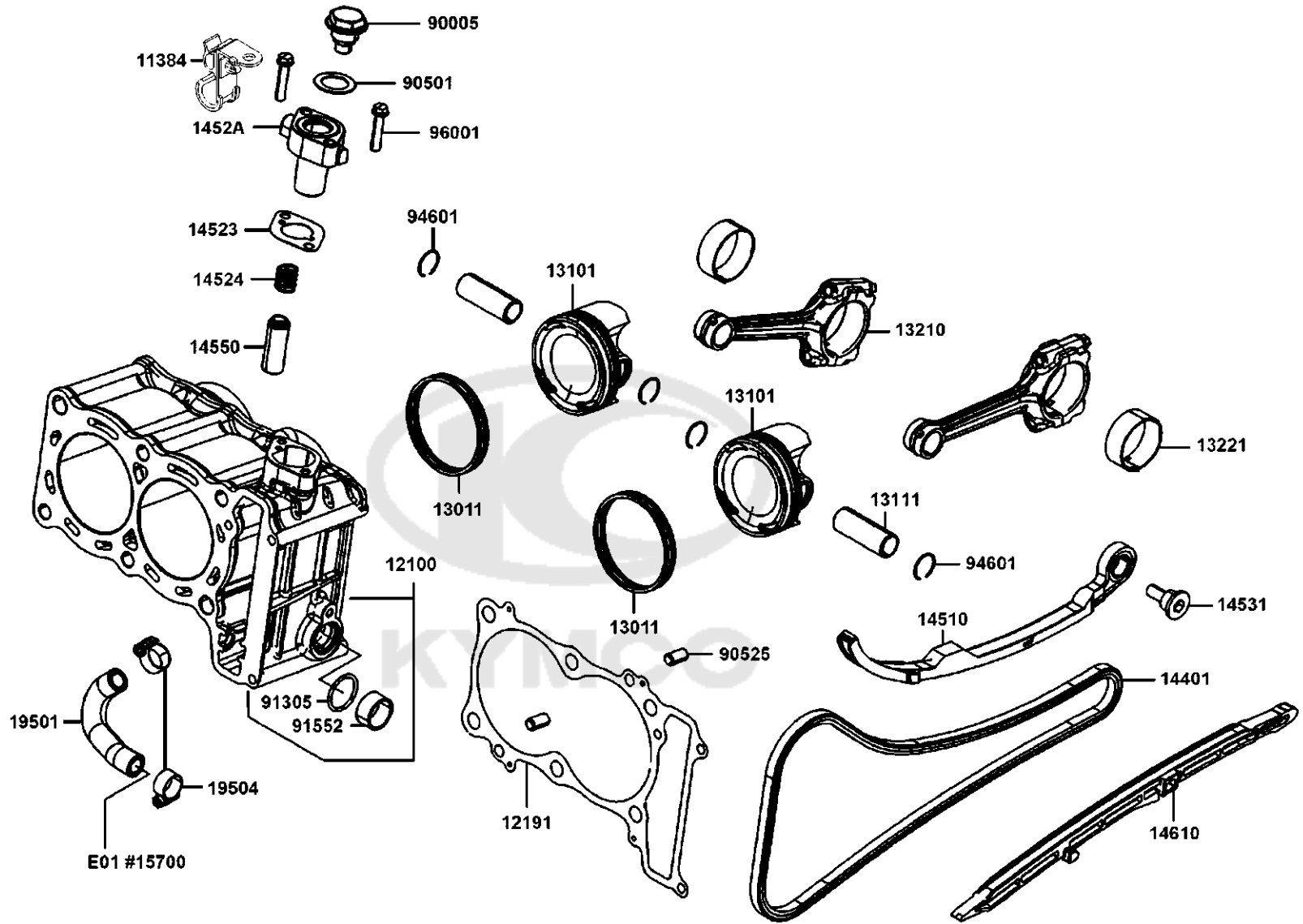


Sales mark	Ref no	Part no	Description	Reg description	Regd no	E02
96001		96001-06010-06	BOLT FLANGE 6*10	BOLT FLANGE 6*10	1	
96001A		96001-06018-06	BOLT FLANGE SH 6X18	BOLT FLANGE SH 6X18	2	
96001B		96001-06130-06	BOLT FLANGE SH 6*130	BOLT FLANGE SH 6*130	2	
96005		96005-PRA1-E00	BOLT M6*12	BOLT M6*12	1	
96008		96008-PRA1-E00	BOLT M6*25	BOLT M6*25	1	
96014		96014-PRA1-E00	BOLT M6*40	BOLT M6*40	16	
96023		96023-PRA1-E00	BOLT M6*20	BOLT M6*20	4	
98059		98059-57916-00	SPARK PLUG (CR7E)	SPARK PLUG (CR7E)	2	



E03

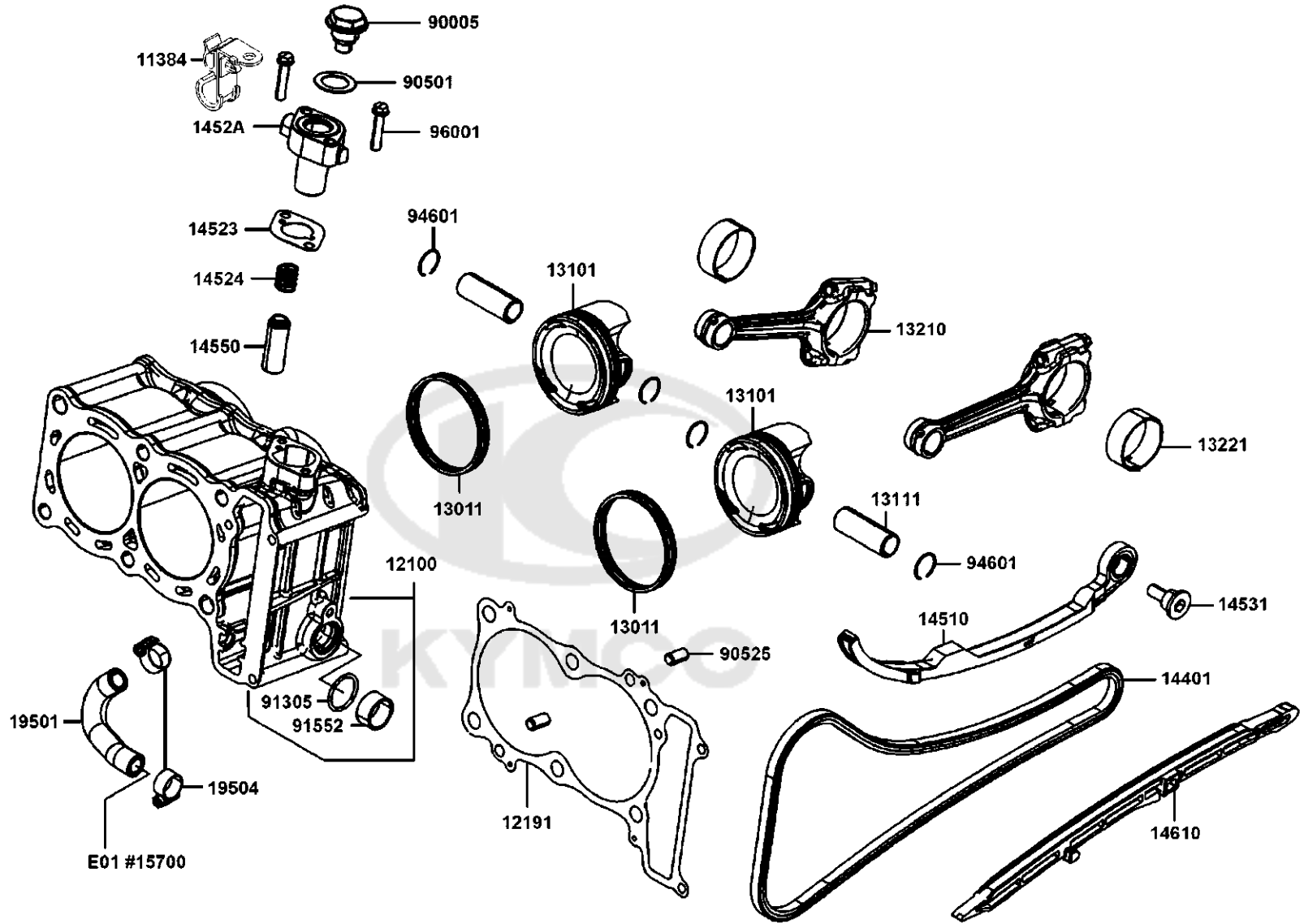
Cylinder Piston



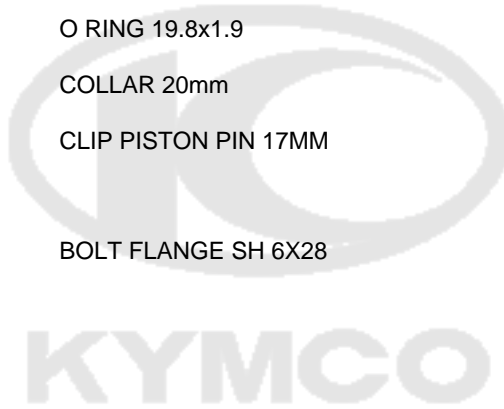
Sales mark	Ref no	Part no	Description	Reg description	Regd no	E03
	11384	11384-LGC6-E03	CLAMPER A RR BRK HOSE	CLAMPER A RR BRK HOSE	1	
	12100	12100-LGC6-E00	CYLINDER COMP (A)	CYLINDER COMP (A)	1	
	12191	12191-LGC6-E00	GASKET CYLINDER	GASKET CYLINDER	1	
	13011	13011-LGC6-E00	RING SET PISTON	RING SET PISTON	2	
	13101	13101-LGC6-E02	PISTON	PISTON	2	
	13111	13111-LGC6-E00	PIN PISTON	PIN PISTON	2	
	13210	13210-LGC6-E00-1	CONN ROD ASSY 39(0~+0.008)	CONN ROD ASSY 39(0~+0.008)	2	
	13210	13210-LGC6-E00-2	CONN ROD ASSY 39(+0.008~+0.016)	CONN ROD ASSY 39(+0.008~+0.016)	2	
	13221	13221-LGC6-E00-A	BEARING CONN. ROD/ YELLOW	BEARING CONN. ROD/ YELLOW	4	
	13221	13221-LGC6-E00-B	BEARING CONN. ROD/ BLUE	BEARING CONN. ROD/ BLUE	4	
	13221	13221-LGC6-E00-C	BEARING CONN. ROD/ RED	BEARING CONN. ROD/ RED	4	
	13221	13221-LGC6-E00-D	BEARING CONN. ROD/ GREEN	BEARING CONN. ROD/ GREEN	4	
	13221	13221-LGC6-E00-E	BEARING CONN. ROD/ BLACK	BEARING CONN. ROD/ BLACK	4	
	14401	14401-LGC6-E00	CHAIN. CAM	CHAIN. CAM	1	
	14510	14510-LGC6-E00	TENSIONER. CAM CHAIN	TENSIONER. CAM CHAIN	1	
	14523	14523-KKE5-E01	GASKET TENSIONER LIFTER	GASKET TENSIONER LIFTER	1	
	14524	14524-KKE5-E01	SPRING OIL TENSIONER	SPRING OIL TENSIONER	1	
	1452A	1452A-ZPA3-E00	CASE ASM LIFTER TENSIONER	CASE ASM LIFTER TENSIONER	1	
	14531	14531-KHE7-900	PIVOT CAM CHAIN TENSIONER 8*24.2(C)	PIVOT CAM CHAIN TENSIONER 8*24.2(C)	1	
	14550	14550-KKE5-E02	CHAIN TENSIONER	CHAIN TENSIONER	1	

E03

Cylinder Piston

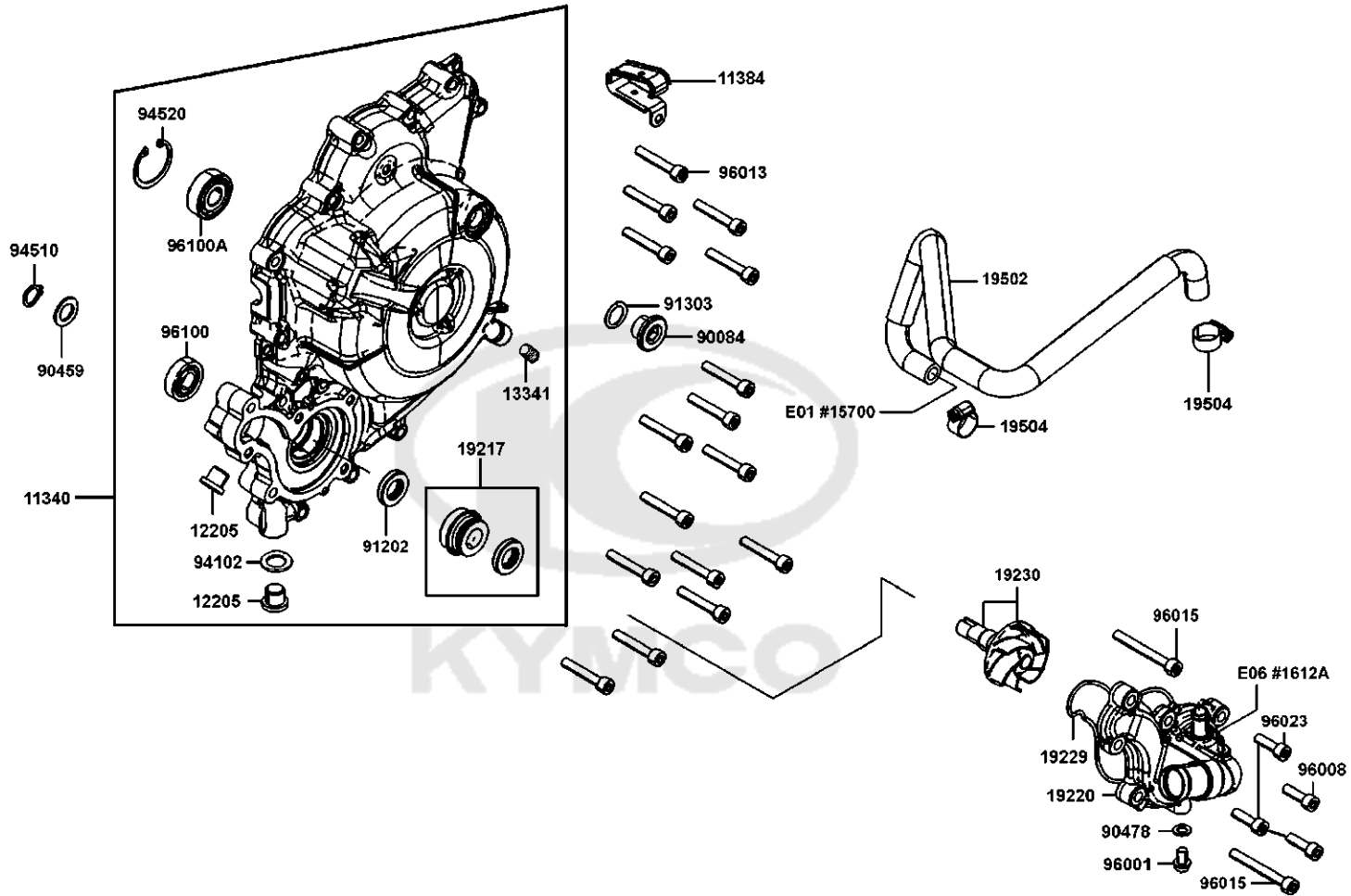


Sales mark	Ref no	Part no	Description	Reg description	Regd no	E03
	14610	14610-LGC6-E00	GUIDE COMP.. CAM CHAIN	GUIDE COMP.. CAM CHAIN	1	
	19501	19501-LGC6-E00	HOSE. WATER A	HOSE. WATER A	1	
	19504	19504-LBA2-E00	CLAMP D16.8	CLAMP D16.8	2	
	90005	90005-KKE5-E00	BOLT SPECIAL M18*1.0	BOLT SPECIAL M18*1.0	1	
	90005	90005-LEH6-E00	BOLT SPECIAL M18*1.0	BOLT SPECIAL M18*1.0	1	
	90501	90501-LEH6-E00	WASHER 28*18.2*1	WASHER 28*18.2*1	1	
	90525	90525-KED9-900	LOCK PIN 8*16	LOCK PIN 8*16	2	
	91305	91305-LEH6-E00	O RING 19.8x1.9	O RING 19.8x1.9	1	
	91552	91552-LEH6-E00	COLLAR 20mm	COLLAR 20mm	1	
	94601	94601-17000	CLIP PISTON PIN 17MM	CLIP PISTON PIN 17MM	4	
	96001	96001-06028-06	BOLT FLANGE SH 6X28	BOLT FLANGE SH 6X28	1	



E04

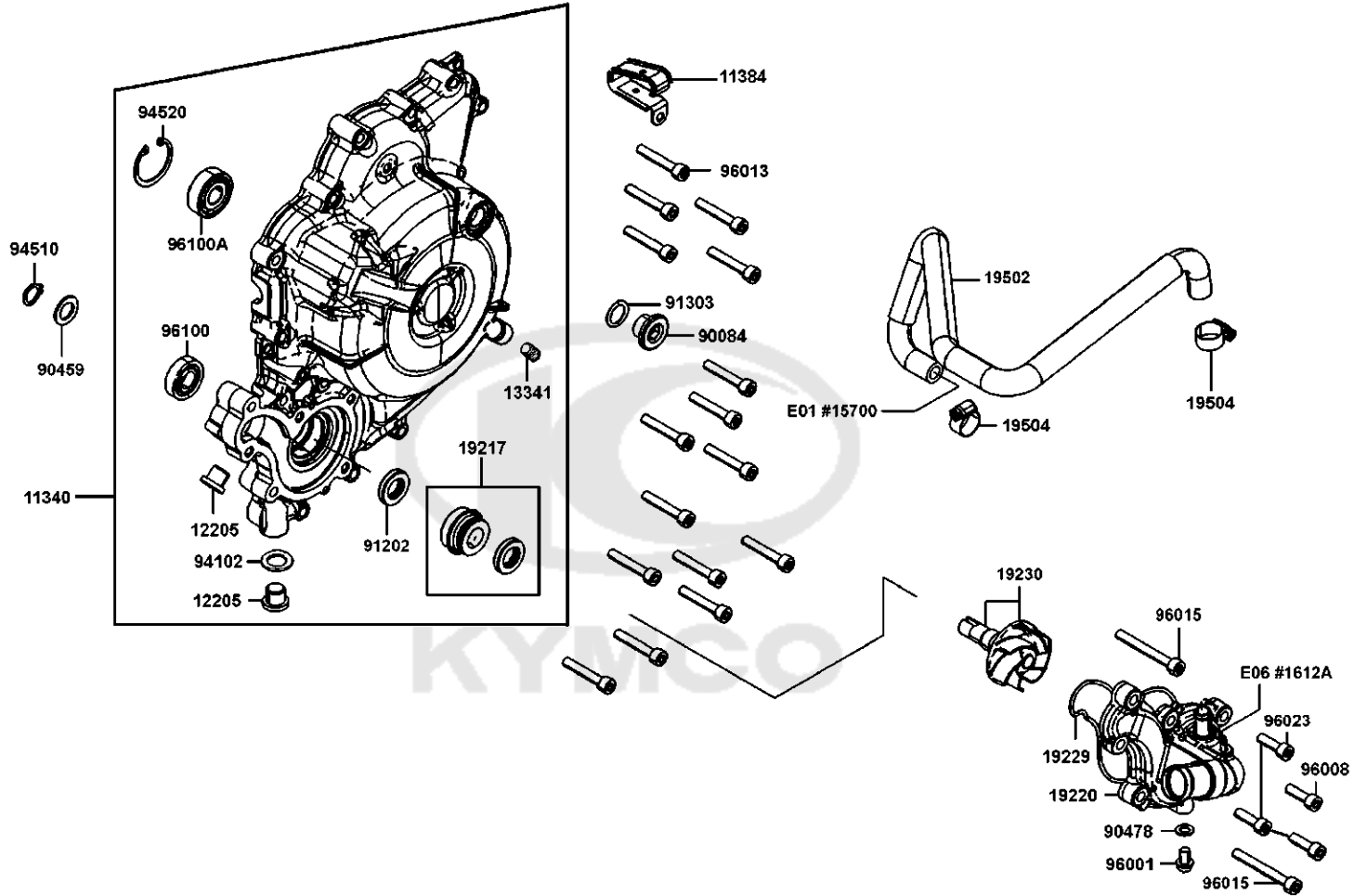
Left Side CoverWater Pump



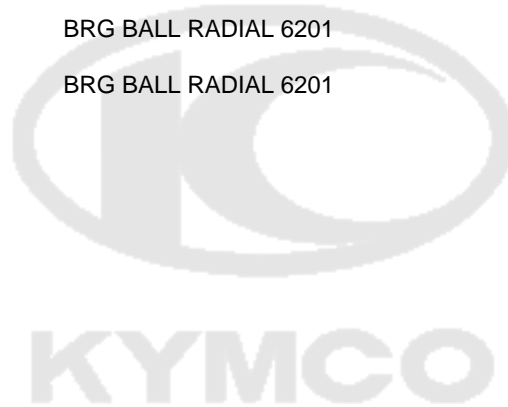
Sales mark	Ref no	Part no	Description	Reg description	Regd no	E04
	11340	11340-LGC6-305	COVER SET L SIDE	COVER SET L SIDE	1	
	11384	11384-LGC6-E00	CLAMPER RR BRK HOSE	CLAMPER RR BRK HOSE	1	
	12205	12205-LEA7-E00	BOLT SEALING 12MM	BOLT SEALING 12MM	2	
	13341	13341-LGC6-E00	GRUB SCREW M6 X 7	GRUB SCREW M6 X 7	1	
	19217	19217-LGC6-E00	MECHANICAL SEALING	MECHANICAL SEALING	1	
	19217	19217-PRB9-E01	SEAL MECHANICAL	SEAL MECHANICAL	1	
	19220	19220-LGC6-E00	COVER COMP WATER PUMP	COVER COMP WATER PUMP	1	
	19229	19229-LGC6-E00	O-RING W/P BODY	O-RING W/P BODY	1	
	19230	19230-LGC6-E00	SHAFT ASSY IMPELLER	SHAFT ASSY IMPELLER	1	
	19502	19502-LGC6-E00	HOSE B WATER	HOSE B WATER	1	
	19504	19504-LBA2-E00	CLAMP D16.8	CLAMP D16.8	4	
**	90084	90084-4H28-001	CAP ACG	CAP ACG	1	
**	90084	90084-KGG7-C00	CAP A.C.G	CAP A.C.G	1	
	90459	90459-LKF5-E00	WASHER 12MM	WASHER 12MM	1	
	90478	90478-7L00-001	WASHER A 6MM	WASHER A 6MM	1	
	91202	91202-KGB4-C00	OIL SEAL 13.7*24*5	OIL SEAL 13.7*24*5	1	
	91202	91202-LKG2-900	OIL SEAL 13.7*24*5	OIL SEAL 13.7*24*5	1	
	91303	91303-3G77-001	O-RING 13.8*2.5	O-RING 13.8*2.5	1	
	94102	94102-LGC6-E00	WASHER_18X12.2X1_AL	WASHER_18X12.2X1_AL	1	
	94510	94510-12000	CIR CLIP EXTERNAL 12	CIR CLIP EXTERNAL 12	1	

E04

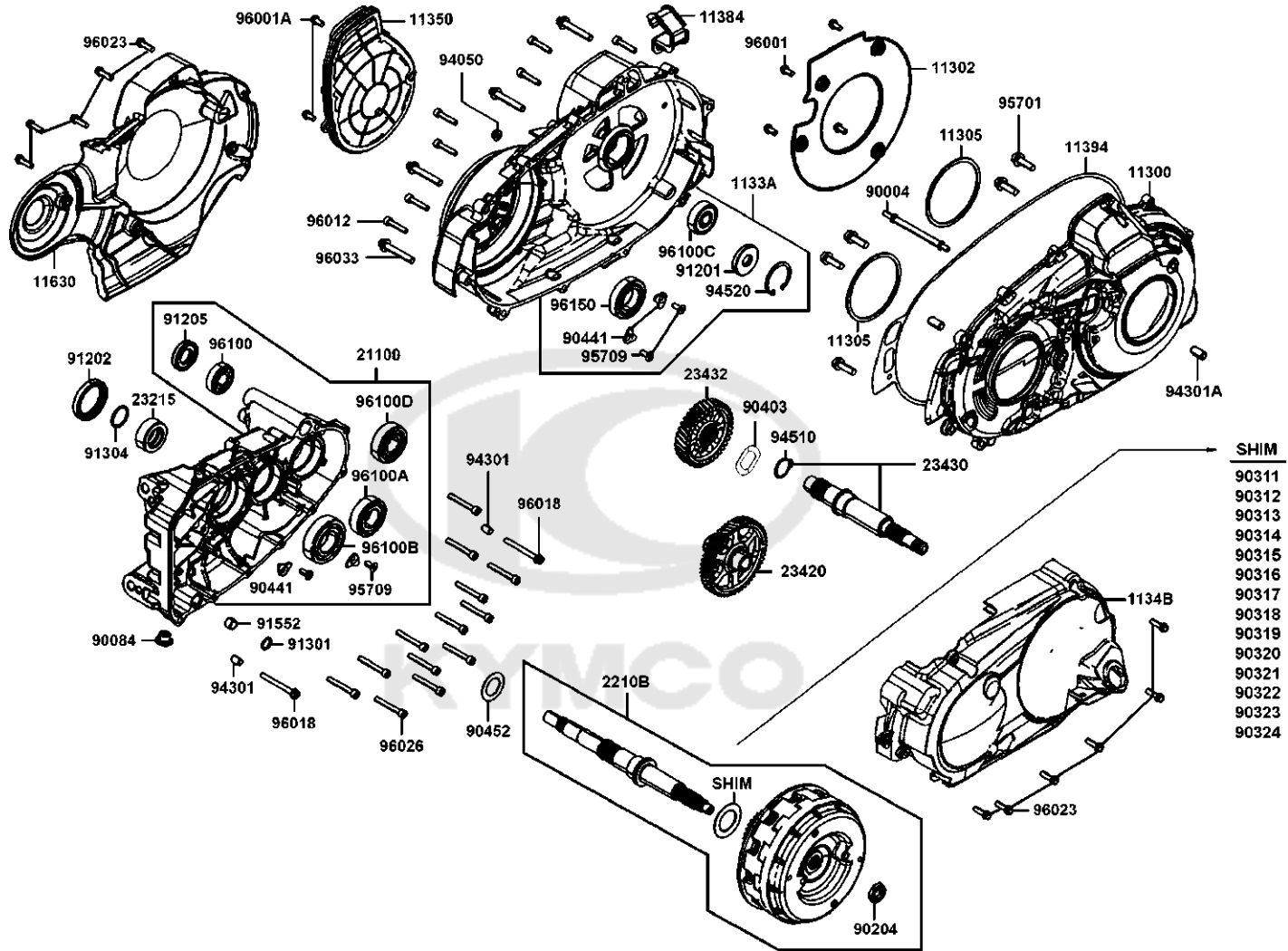
Left Side Cover Water Pump



Sales mark	Ref no	Part no	Description	Reg description	Regd no	E04
94520		94520-32180	CIR CLIP IN 32	CIR CLIP IN 32	1	
96001		96001-06010-06	BOLT FLANGE 6*10	BOLT FLANGE 6*10	1	
96008		96008-PRA1-E00	BOLT M6*25	BOLT M6*25	1	
96013		96013-LGC6-E00	M6X35-8.8-ZNNIV SI	M6X35-8.8-ZNNIV SI	16	
96015		96015-PRA1-E00	BOLT M6*50	BOLT M6*50	2	
96023		96023-PRB9-E00	BOLT M6*20	BOLT M6*20	4	
96100		96100-60010-00	BEARING RADIAL BALL 6001	BEARING RADIAL BALL 6001	1	
96100A		96100-62010-00	BRG BALL RADIAL 6201	BRG BALL RADIAL 6201	1	
96100A		96100-62010-00	BRG BALL RADIAL 6201	BRG BALL RADIAL 6201	1	

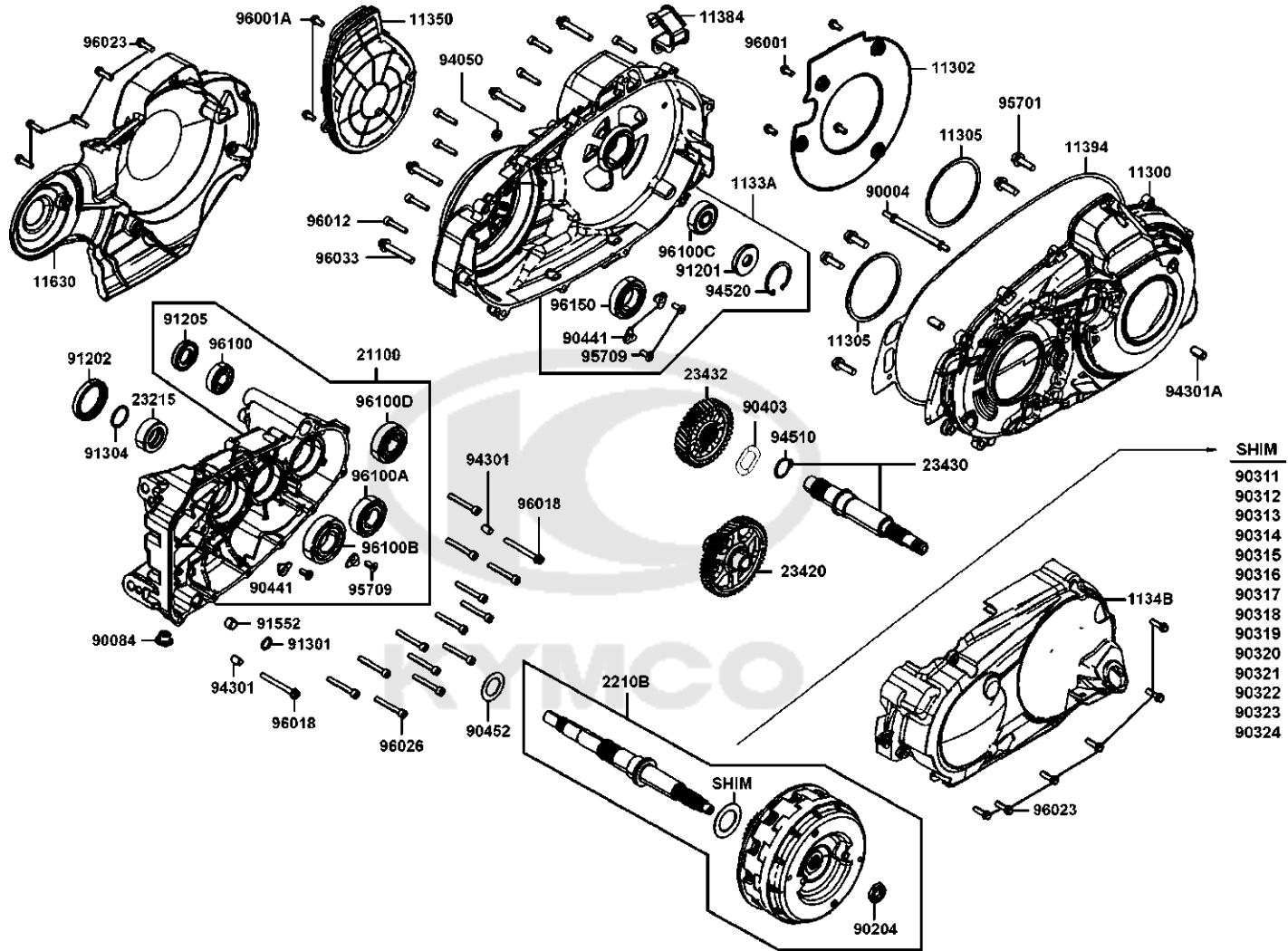


Right Crankcase Cover Shaft Main Shaft Counter



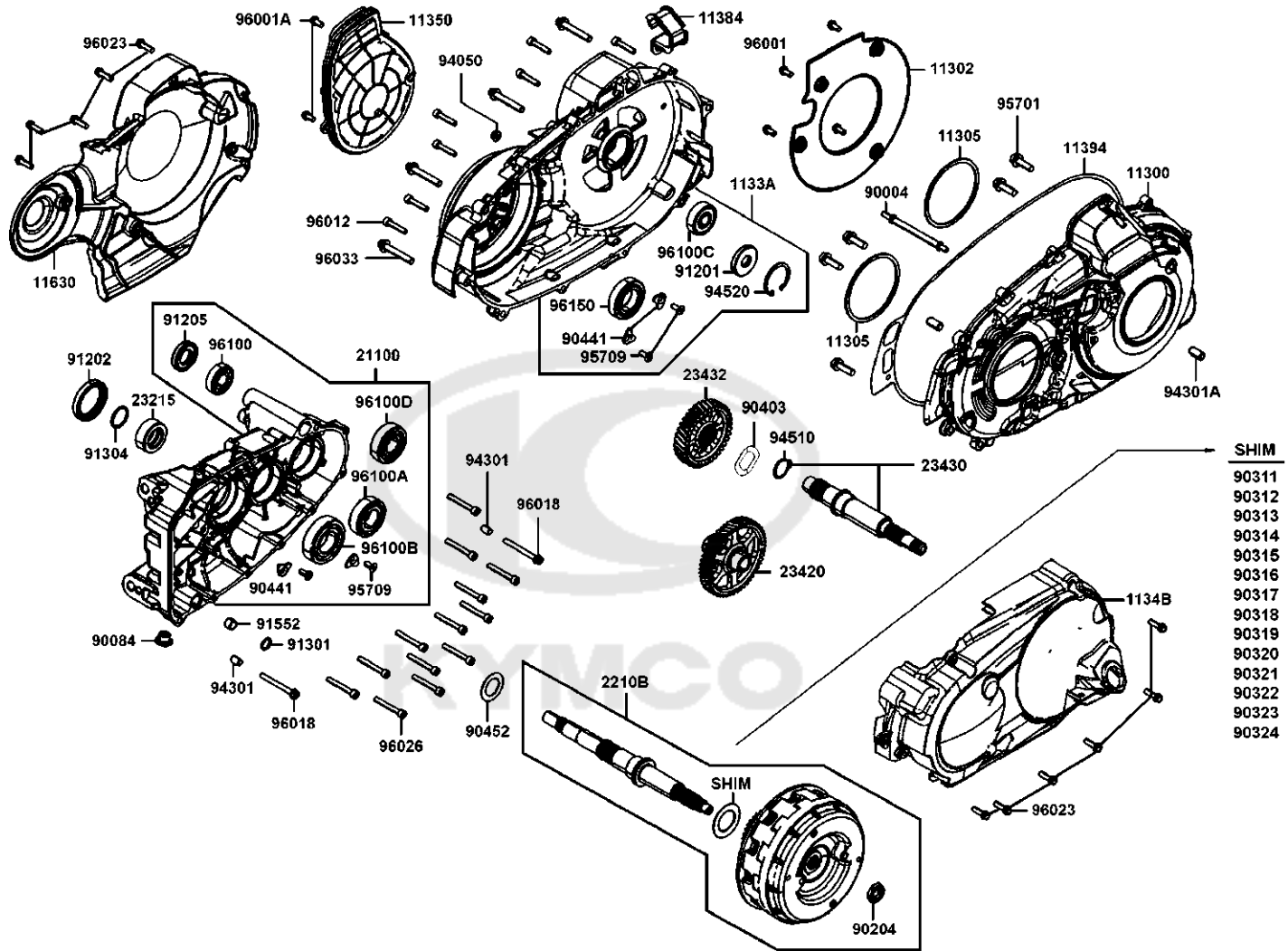
Sales mark	Ref no	Part no	Description	Reg description	Regd no	E05
	11300	11300-LGC6-E00	CASECVT	CASECVT	1	
	11302	11302-LGC6-E00	PLATE AIR INTAKE	PLATE AIR INTAKE	1	
	11305	11305-LGC6-E00	GASKET CVT CASE	GASKET CVT CASE	1	
	1133A	1133A-LGC6-E00	COVER COMP CVT	COVER COMP CVT	1	
**	1134B	1134B-LGC6-E00	COVER COMP L COVER	COVER COMP L COVER	1	
	11350	11350-LGC6-E00	ELEMENT COMP CVT COVER	ELEMENT COMP CVT COVER	1	
	11384	11384-LGC6-E01	CLAMPER RR BRK HOSE	CLAMPER RR BRK HOSE	1	
	11394	11394-LGC6-E00	GASKET. R. COVER	GASKET. R. COVER	1	
**	11630	11630-LGC6-E00	COVER COMP R COVER	COVER COMP R COVER	1	
	21100	21100-LGC6-E00	CASE COMP R MISSION	CASE COMP R MISSION	1	
	2210B	2210B-LGC6-E00	WET CLUTCH ASSY	WET CLUTCH ASSY	1	
	23215	23215-LGC6-E00	SPACER FIXED DRIVE	SPACER FIXED DRIVE	1	
	23420	23420-LGC6-E00	SHAFT COMP COUNTER	SHAFT COMP COUNTER	1	
	23430	23430-LGC6-E00	SHAFT COMP FINAL	SHAFT COMP FINAL	1	
	23432	23432-LGC6-E00	GEAR FINAL	GEAR FINAL	1	
	90004	90004-LGC6-E00	BOLT SPECIAL	BOLT SPECIAL	1	
	90084	90084-KKE5-E00	CAPE OIL CHANNEL	CAPE OIL CHANNEL	1	
	90204	90204-LGC6-E00	NUT FLANGE M16X1.0	NUT FLANGE M16X1.0	1	
	90311	90311-PWB1-900	SHIM DRIVEN BEVEL GEAR A	SHIM DRIVEN BEVEL GEAR A (0.575~0.625)	1	
	90312	90312-PWB1-900	SHIM DRIVEN BEVEL GEAR B	SHIM DRIVEN BEVEL GEAR B (0.625~0.675)	1	

Right Crankcase Cover Shaft Main Shaft Counter



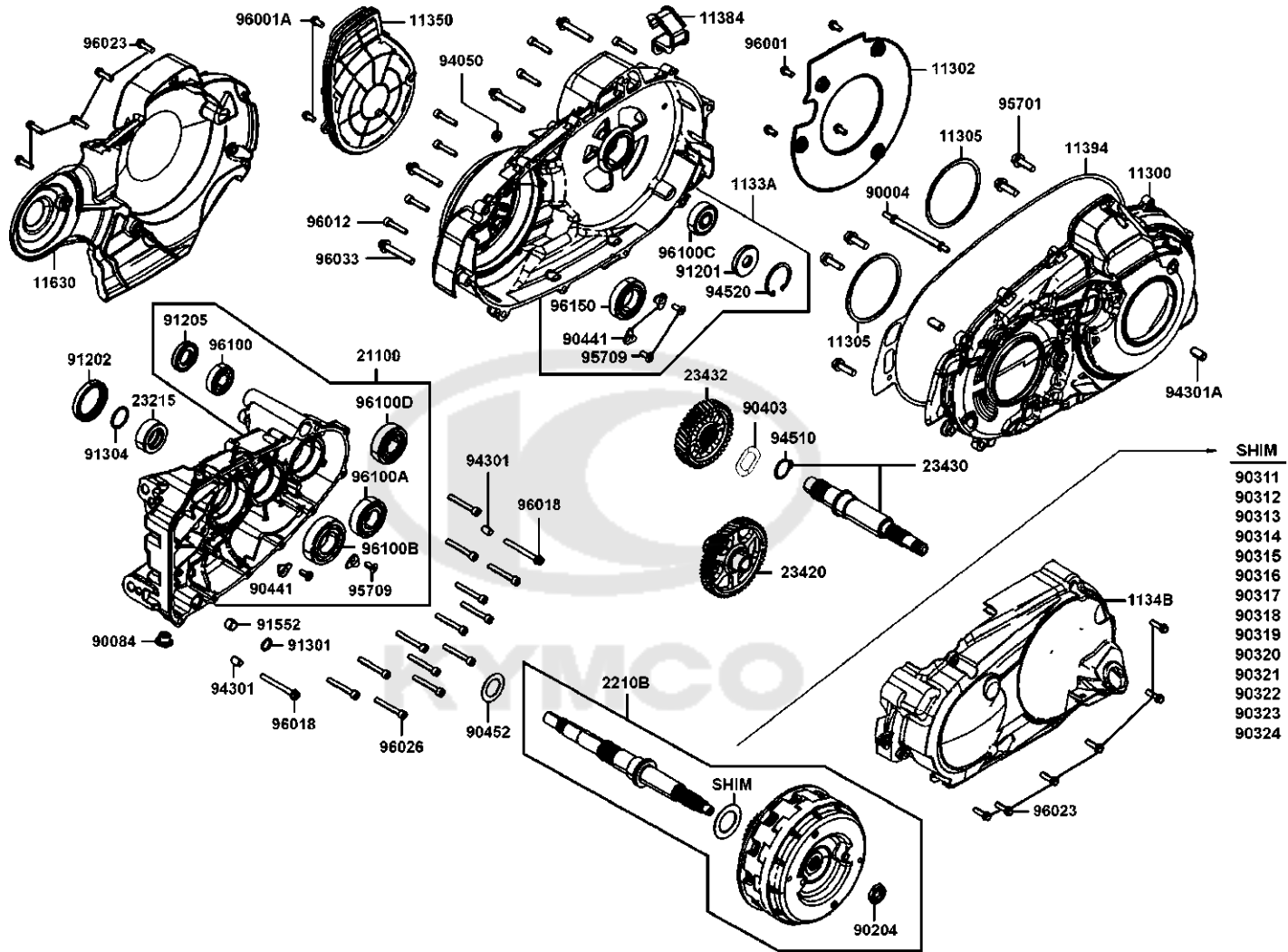
Sales mark	Ref no	Part no	Description	Reg description	Regd no	E05
90313		90313-PWB1-900	SHIM DRIVEN BEVEL GEAR C	SHIM DRIVEN BEVEL GEAR C (0.675~0.725)	1	
90314		90314-PWB1-900	SHIM DRIVEN BEVEL GEAR D	SHIM DRIVEN BEVEL GEAR D (0.725~0.775)	1	
90315		90315-PWB1-900	SHIM DRIVEN BEVEL GEAR E	SHIM DRIVEN BEVEL GEAR E (0.775~0.825)	1	
90316		90316-PWB1-900	SHIM DRIVEN BEVEL GEAR F	SHIM DRIVEN BEVEL GEAR F (0.825~0.875)	1	
90317		90317-PWB1-900	SHIM DRIVEN BEVEL GEAR G	SHIM DRIVEN BEVEL GEAR G (0.875~0.925)	1	
90318		90318-PWB1-900	SHIM DRIVEN BEVEL GEAR H	SHIM DRIVEN BEVEL GEAR H (0.925~0.975)	1	
90319		90319-PWB1-900	SHIM DRIVEN BEVEL GEAR I	SHIM DRIVEN BEVEL GEAR I (0.975~1.025)	1	
90320		90320-PWB1-900	SHIM DRIVEN BEVEL GEAR J	SHIM DRIVEN BEVEL GEAR J (1.025~1.075)	1	
90321		90321-PWB1-900	SHIM DRIVEN BEVEL GEAR K	SHIM DRIVEN BEVEL GEAR K (1.075~1.125)	1	
90322		90322-PWB1-900	SHIM DRIVEN BEVEL GEAR L	SHIM DRIVEN BEVEL GEAR L (1.125~1.175)	1	
90323		90323-PWB1-900	SHIM DRIVEN BEVEL GEAR M	SHIM DRIVEN BEVEL GEAR M (1.175~1.225)	1	
90324		90324-PWB1-900	SHIM DRIVEN BEVEL GEAR N	SHIM DRIVEN BEVEL GEAR N (1.225~1.275)	1	
90403		90403-LGC6-E00	WAVE WASHER 25MM	WAVE WASHER 25MM	1	
90441		90441-LKF5-E00	PLATE BRG. HOLD	PLATE BRG. HOLD	4	
90452		90452-LBA7-900	WASHER THRUST 25MM	WASHER THRUST 25MM	1	
91201		91201-LGC6-E00	OIL SEAL 15X42X7	OIL SEAL 15X42X7	1	
91202		91202-LGC6-E00	OIL SEAL 42X55X8	OIL SEAL 42X55X8	1	
91205		91205-LGC6-E00	OIL SEAL 22X40X7	OIL SEAL 22X40X7	1	
91301		91301-LGC6-E00	O RING	O RING	1	
91304		91304-LGC6-E00	O RING 25.5X2.5	O RING 25.5X2.5	1	

Right Crankcase Cover Shaft Main Shaft Counter



Sales mark	Ref no	Part no	Description	Reg description	Regd no	E05
	91552	91552-LGC6-E00	COLLAR 13MM	COLLAR 13MM	1	
	94050	94050-06060	NUT FLANGE 6MM	NUT FLANGE 6MM	1	
	94301	94301-08140	DOWEL PIN 8*14	DOWEL PIN 8*14	2	
	94301A	94301-10200	DOWEL PIN 10*20	DOWEL PIN 10*20	2	
	94510	94510-25000	CIR CLIP EX 25	CIR CLIP EX 25	1	
	94520	94520-42000	CIR CLIP IN 42MM	CIR CLIP IN 42MM	1	
	95701	95701-08025-06	BOLT FLANGE 8*25	BOLT FLANGE 8*25	5	
	95709	95709-PRA1-E00	SCREW COUNTERSUNK M6*12	SCREW COUNTERSUNK M6*12	4	
	96001	96001-06012-06	BOLT FLANGE SH 6X12	BOLT FLANGE SH 6X12	4	
	96001A	96001-06014-06	BOLT FLANGE SH 6X14	BOLT FLANGE SH 6X14	2	
	96012	96012-PRA1-E00	BOLT M6*30	BOLT M6*30	7	
	96018	96018-PRA1-E00	BOLT M6*60	BOLT M6*60	2	
	96023	96023-PRA1-E00	BOLT M6*20	BOLT M6*20	11	
	96026	96026-PRA1-E00	BOLT M6*45	BOLT M6*45	13	
	96033	96033-PRA1-E00	BOLT M8*50	BOLT M8*50	3	
	96100	96100-30203-10	BEARING BALL RADIAL	BEARING BALL RADIAL	1	
	96100A	96100-62050-00	BEARING BALL RADIAL 6205	BEARING BALL RADIAL 6205	1	
	96100B	96100-62060-00	BRG RADIAL BALL 6206	BRG RADIAL BALL 6206	1	
	96100C	96100-63020-00	BRG BALL RADIAL 6302	BRG BALL RADIAL 6302	1	
	96100D	96100-63040-00	BRG BALL RADIAL 6304	BRG BALL RADIAL 6304	1	

Right Crankcase Cover Shaft Main Shaft Counter



Sales mark	Ref no	Part no	Description	Reg description	Regd no	E05
------------	--------	---------	-------------	-----------------	---------	------------

96150

96150-60060-10

BEARING BALL RADIAL 6006

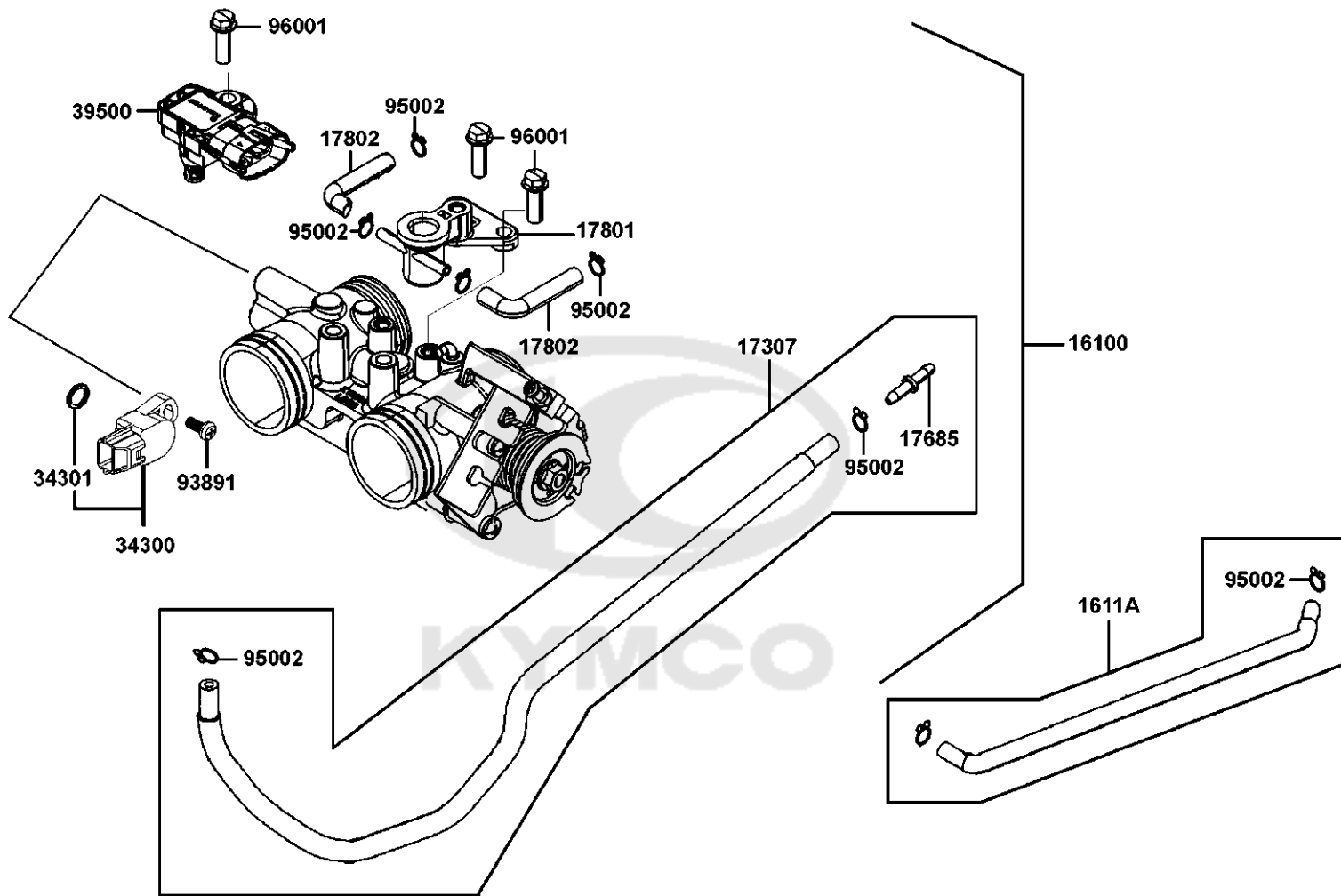
BEARING BALL RADIAL 6006

1



E06

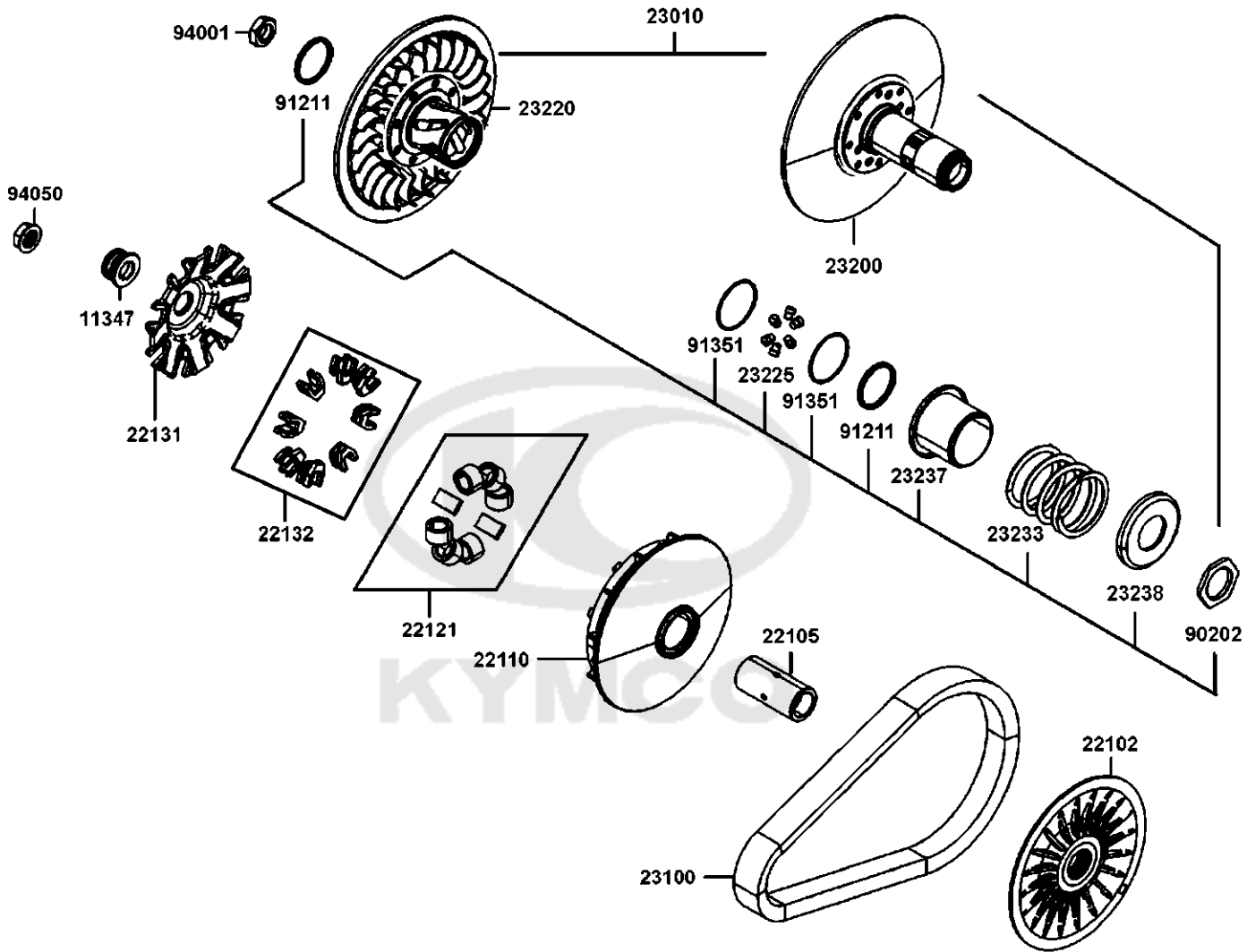
Throttle Body



Sales mark	Ref no	Part no	Description	Reg description	Regd no	E06
16100		16100-LGC6-E00	THROTTLE BODY ASSY	THROTTLE BODY ASSY	1	
1611A		1611A-LGC6-E00	HOSE A ASSY T/H BODY	HOSE A ASSY T/H BODY	1	
17307		17307-LGC6-E00	TUBE ASSY	TUBE ASSY	1	
17685		17685-GLE0-301	JOINT COCK-CARB TUBE	JOINT COCK-CARB TUBE	1	
17801		17801-LGC6-E00	JOINT 3 WAY	JOINT 3 WAY	1	
17802		17802-LGC6-E00	TUBE A AIR	TUBE A AIR	1	
34300		34300-LKM8-E00	THROTTLE. POSITION SENSOR	THROTTLE. POSITION SENSOR	1	
34301		34301-KKE3-900	O-RING T.P.S.	O-RING T.P.S.	1	
39500		39500-AAC9-900	SENSOR T-MAP	SENSOR T-MAP	1	
93891		93891-05016-06	SCREW WASHER 5X16	SCREW WASHER 5X16	1	
95002		95002-02070	CLIP B7 TUBE	CLIP B7 TUBE	5	
96001		96001-06018-06	BOLT FLANGE SH 6X18	BOLT FLANGE SH 6X18	3	

E07

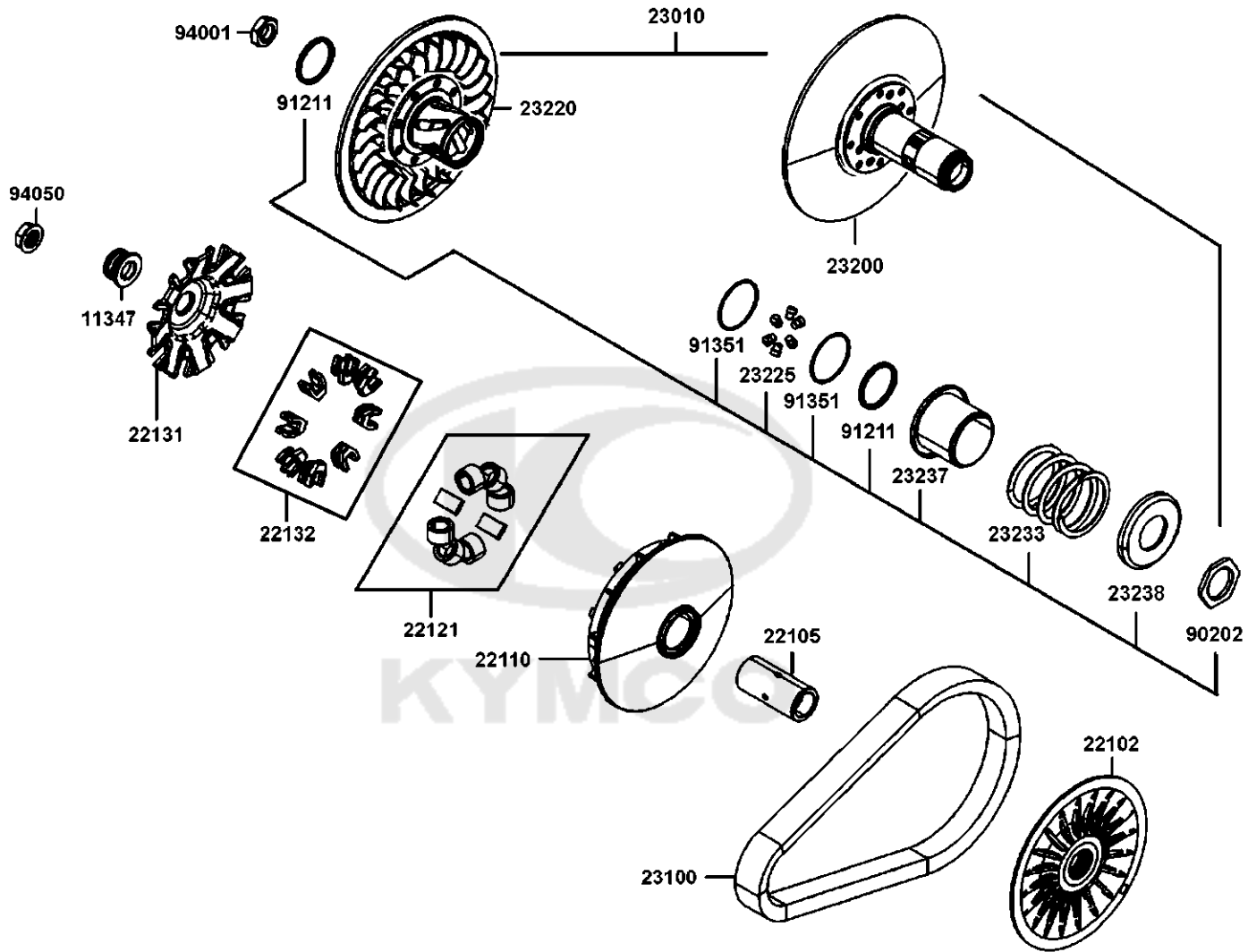
Transmission Pulley



Sales mark	Ref no	Part no	Description	Reg description	Regd no	E07
	11347	11347-LKF5-E00	BOSS DRIVE SHAFT	BOSS DRIVE SHAFT	1	
	22102	22102-LGC6-E00	FACE DRIVE	FACE DRIVE	1	
	22105	22105-LGC6-E00	BOSS DRIVE FACE	BOSS DRIVE FACE	1	
	22110	22110-LGC6-E00	FACE COMP MOVABLE	FACE COMP MOVABLE	1	
	22121	22121-LGC6-305	ROLLER SET WEIGHT (1SET:8 PCS)	ROLLER SET WEIGHT (1SET:8 PCS)	1	
	22131	22131-LGC6-E00	PLATE RAMP	PLATE RAMP	1	
	22132	22132-ADG5-305	PIECE SET SLIDE(1 SET:8 PCS)	PIECE SET SLIDE(1 SET:8 PCS)	8	
	22132	22132-LGC6-305	PIECE SLIDE SET (1SET:8PCS)	PIECE SLIDE SET (1SET:8PCS)	1	
	23010	23010-LGC6-E00	PULLEY ASSY DRIVEN	PULLEY ASSY DRIVEN	1	
	23100	23100-LGC6-E00	BELT DRIVE (N-6N)	BELT DRIVE (N-6N)	1	
	23200	23200-LGC6-E00	FACE COMP DRIVEN A	FACE COMP DRIVEN A	1	
	23220	23220-LGC6-E00	FACE COMP. MOVABLE DRIVEN	FACE COMP. MOVABLE DRIVEN	1	
	23225	23225-LKF5-E00	PIN ROLLER GUIDE	PIN ROLLER GUIDE	6	
	23233	23233-LGC6-E00	SPG DRIVEN FACE	SPG DRIVEN FACE	1	
	23237	23237-LGC6-E00	COLLAR SEAL	COLLAR SEAL	1	
	23238	23238-LDB5-E00	COLLAR SPG	COLLAR SPG	1	
	90202	90202-LDB5-E00	NUT SPECIAL 36MM	NUT SPECIAL 36MM	1	
	91211	91211-LGC6-E00	SEAL DRIVEN 41X47X4	SEAL DRIVEN 41X47X4	2	
	91351	91351-LDB5-E00	O-RING PINION CAP	O-RING PINION CAP	2	
	94001	94001-LGC6-E00	NUT FLANGE M18X1.0	NUT FLANGE M18X1.0	1	

E07

Transmission Pulley



Sales mark	Ref no	Part no	Description	Reg description	Regd no	E07
------------	--------	---------	-------------	-----------------	---------	------------

94050

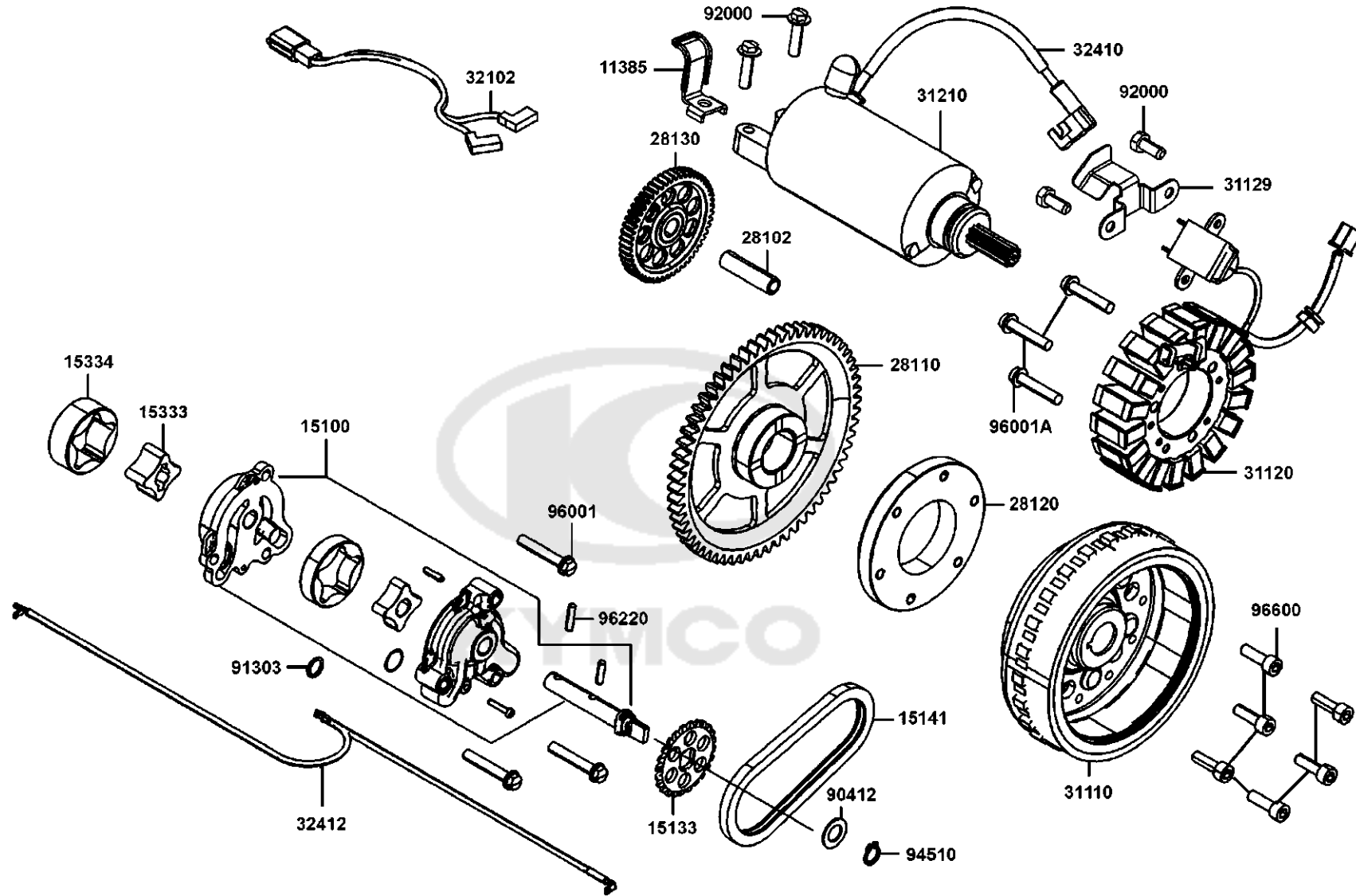
94050-LKF5-E00

NUT FLANGE 18MM

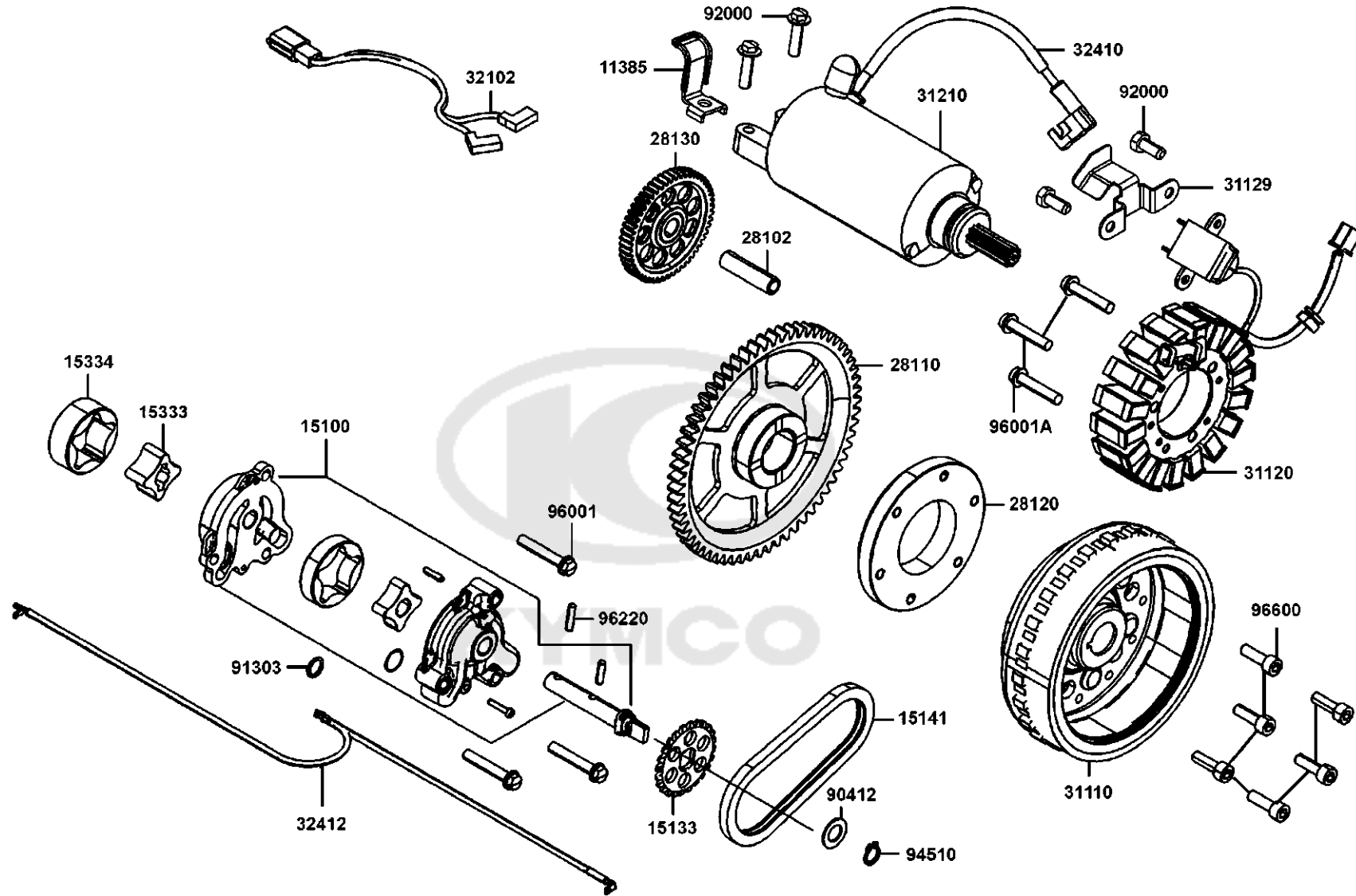
NUT FLANGE 18MM

1



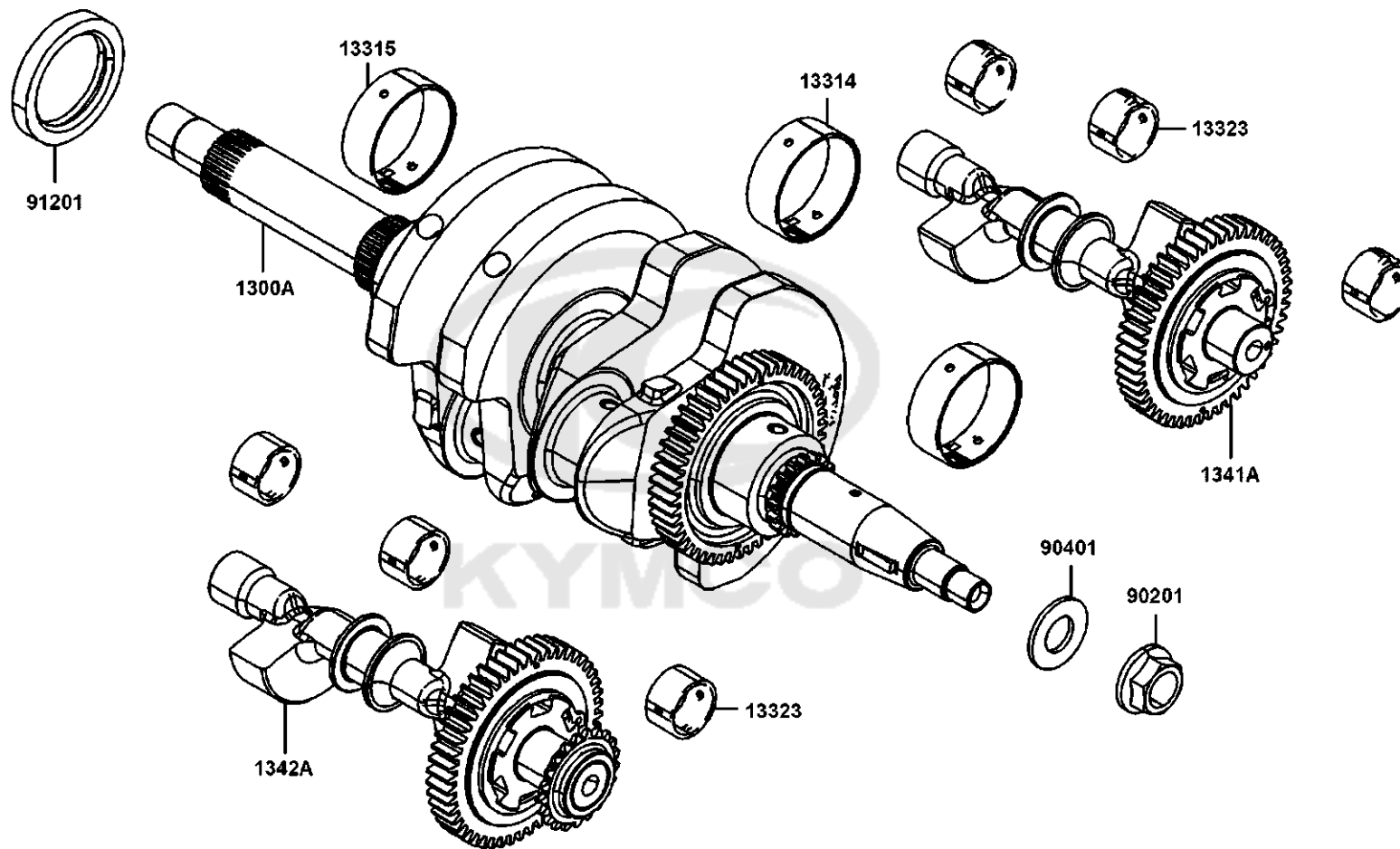


Sales mark	Ref no	Part no	Description	Reg description	Regd no	E08
11385		11385-LGC6-E00	CLAMP BLOW BY HOSE	CLAMP BLOW BY HOSE	1	
15100		15100-LGC6-E00	PUMP ASSY OIL	PUMP ASSY OIL	1	
15133		15133-LGC6-E00	SPRKT OIL PUMP DRIVEN	SPRKT OIL PUMP DRIVEN	1	
15141		15141-GFY6-90C	CHAIN OIL PUMP	CHAIN OIL PUMP	1	
15333		15333-LEH6-E00	ROTOR ENGINE INNER	ROTOR ENGINE INNER	1	
15334		15334-LEH6-E00	ROTOR ENGINE OUTER	ROTOR ENGINE OUTER	1	
28102		28102-LEA7-E00	SHAFT STARTER REDUCTION	SHAFT STARTER REDUCTION	1	
28110		28110-LGC6-E00	GEAR COMP STARTING CLUTCH (62T)	GEAR COMP STARTING CLUTCH (62T)	1	
28120		28120-LGC6-E00	ONE WAY CLUTCH	ONE WAY CLUTCH	1	
28130		28130-LGC6-E00	GEAR STARTER REDUCTION (52T/12T)	GEAR STARTER REDUCTION (52T/12T)	1	
31110		31110-LGC6-E00	FLYWHEEL COMP (D402)	FLYWHEEL COMP (D402)	1	
31120		31120-LGC6-E00	STATOR COMP (D402)	STATOR COMP (D402)	1	
31129		31129-LGC6-E00	STAYSTATOR COMP	STAYSTATOR COMP	1	
31210		31210-LGC6-E00	MOTOR UNIT STARTER	MOTOR UNIT STARTER	1	
32102		32102-LGC6-E01	SUB HARNESS ENGINE	SUB HARNESS ENGINE	1	
32410		32410-LGC6-E00	CABLE. START MOTOR	CABLE. START MOTOR	1	
32412		32412-LGC6-E01	CABLE EARTH	CABLE EARTH	1	
90412		90412-3K29-001	WASHER THRUST 10M/M	WASHER THRUST 10M/M	1	
91303		91303-PUA5-E00	O-RING_9X1_5	O-RING_9X1_5	1	
92000		92000-05016-0G	BOLT HEX 5X16	BOLT HEX 5X16	4	



Sales mark	Ref no	Part no	Description	Reg description	Regd no	E08
	94510	94510-10000	CIR CLIP EX 10MM	CIR CLIP EX 10MM	1	
	96001	96001-06035-06	BOLT FLANGE SH 6*35	BOLT FLANGE SH 6*35	3	
	96001A	96001-06040-06	BOLT FLANGE SH 6*40	BOLT FLANGE SH 6*40	3	
	96220	96220-40158	NEEDLE PIN 4X15.8	NEEDLE PIN 4X15.8	1	
	96600	96600-06015-10	SOCKET BOLT 6*15(B)	SOCKET BOLT 6*15(B)	6	
	96600	96600-06015-10	SOCKET BOLT 6*15(B)	SOCKET BOLT 6*15(B)	6	

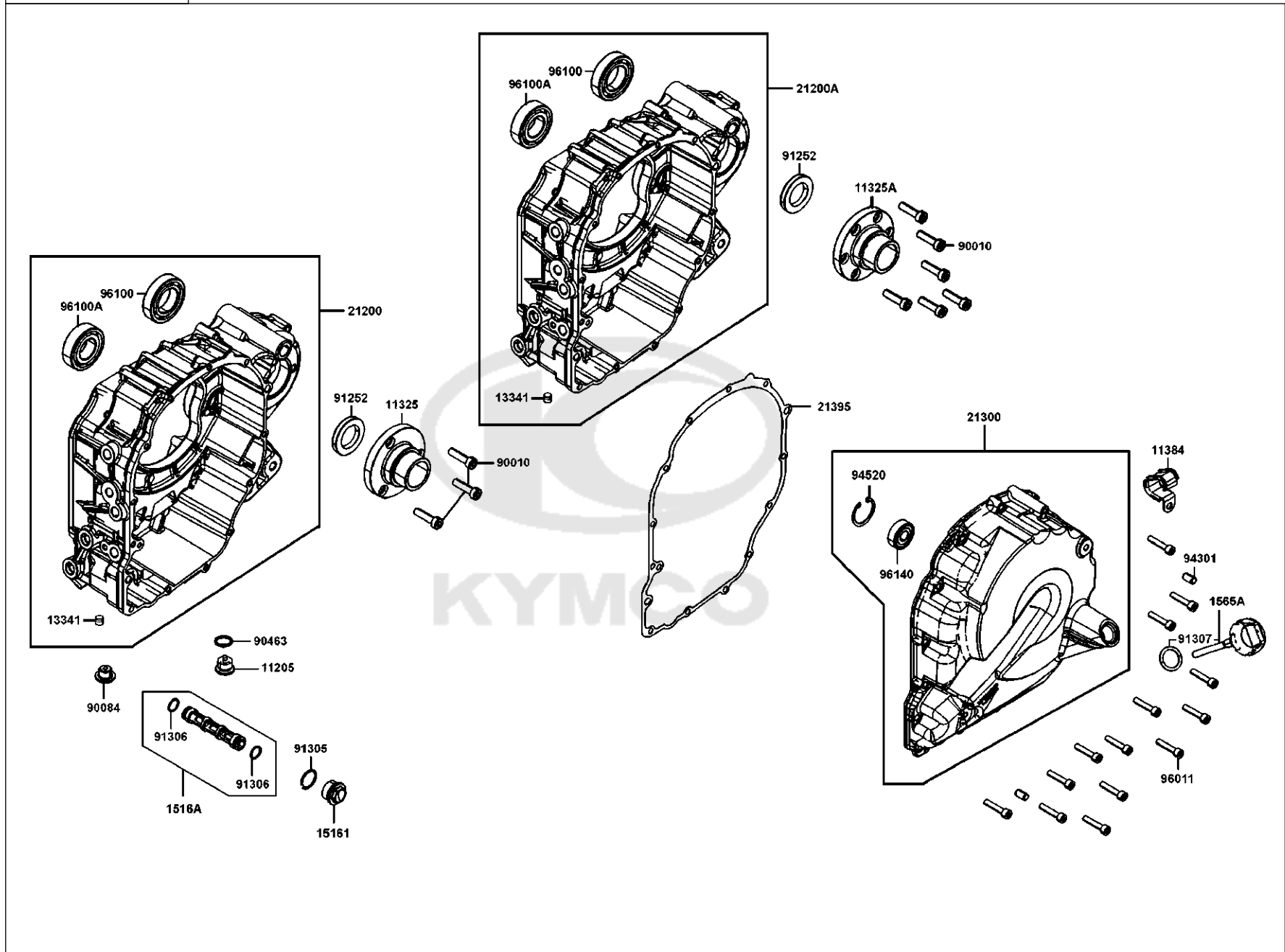




Sales mark	Ref no	Part no	Description	Reg description	Regd no	E09
1300A		1300A-LGC6-E00	CRANK SHAFT COMP	CRANK SHAFT COMP	1	
13314		13314-LGC6-E00-A	BEARING A CRANK SHAFT/YELLOW	BEARING A CRANK SHAFT/YELLOW	3	
13314		13314-LGC6-E00-B	BEARING A CRANK SHAFT/BLUE	BEARING A CRANK SHAFT/BLUE	3	
13314		13314-LGC6-E00-C	BEARING A CRANK SHAFT/RED	BEARING A CRANK SHAFT/RED	3	
13314		13314-LGC6-E00-D	BEARING A CRANK SHAFT/GREEN	BEARING A CRANK SHAFT/GREEN	3	
13314		13314-LGC6-E00-E	BEARING A CRANK SHAFT /BLACK	BEARING A CRANK SHAFT /BLACK	3	
13315		13315-LGC6-E00-A	BEARING B CRANK SHAFT/ YELLOW	BEARING B CRANK SHAFT/ YELLOW	3	
13315		13315-LGC6-E00-B	BEARING B CRANK SHAFT /BLUE	BEARING B CRANK SHAFT /BLUE	3	
13315		13315-LGC6-E00-C	BEARING B CRANK SHAFT/ RED	BEARING B CRANK SHAFT/ RED	3	
13315		13315-LGC6-E00-D	BEARING B CRANK SHAFT/GREEN	BEARING B CRANK SHAFT/GREEN	3	
13315		13315-LGC6-E00-E	BEARING B CRANK SHAFT /BLACK	BEARING B CRANK SHAFT /BLACK	3	
13323		13323-PRB9-E00-0A	BEARING SHELL BALANCER SHAFT	BEARING SHELL BALANCER SHAFT /BROWN	12	
13323		13323-PRB9-E00-0B	BEARING SHELL BALANCER SHAFT /	BEARING SHELL BALANCER SHAFT /	12	
1341A		1341A-LGC6-E00	SHAFT COMP BALANCER	SHAFT COMP BALANCER	1	
1342A		1342A-LGC6-E00	SHAFT COMP BALANCER	SHAFT COMP BALANCER	1	
90201		90201-KHR8-75A	NUT FLANGE 14*19*26(C)	NUT FLANGE 14*19*26(C)	1	
90401		90401-KKJ9-001	WASHER THRUST 14*28*2	WASHER THRUST 14*28*2	1	
91201		91201-LKF5-E00	OIL SEAL 38*50*7	OIL SEAL 38*50*7	1	

E10

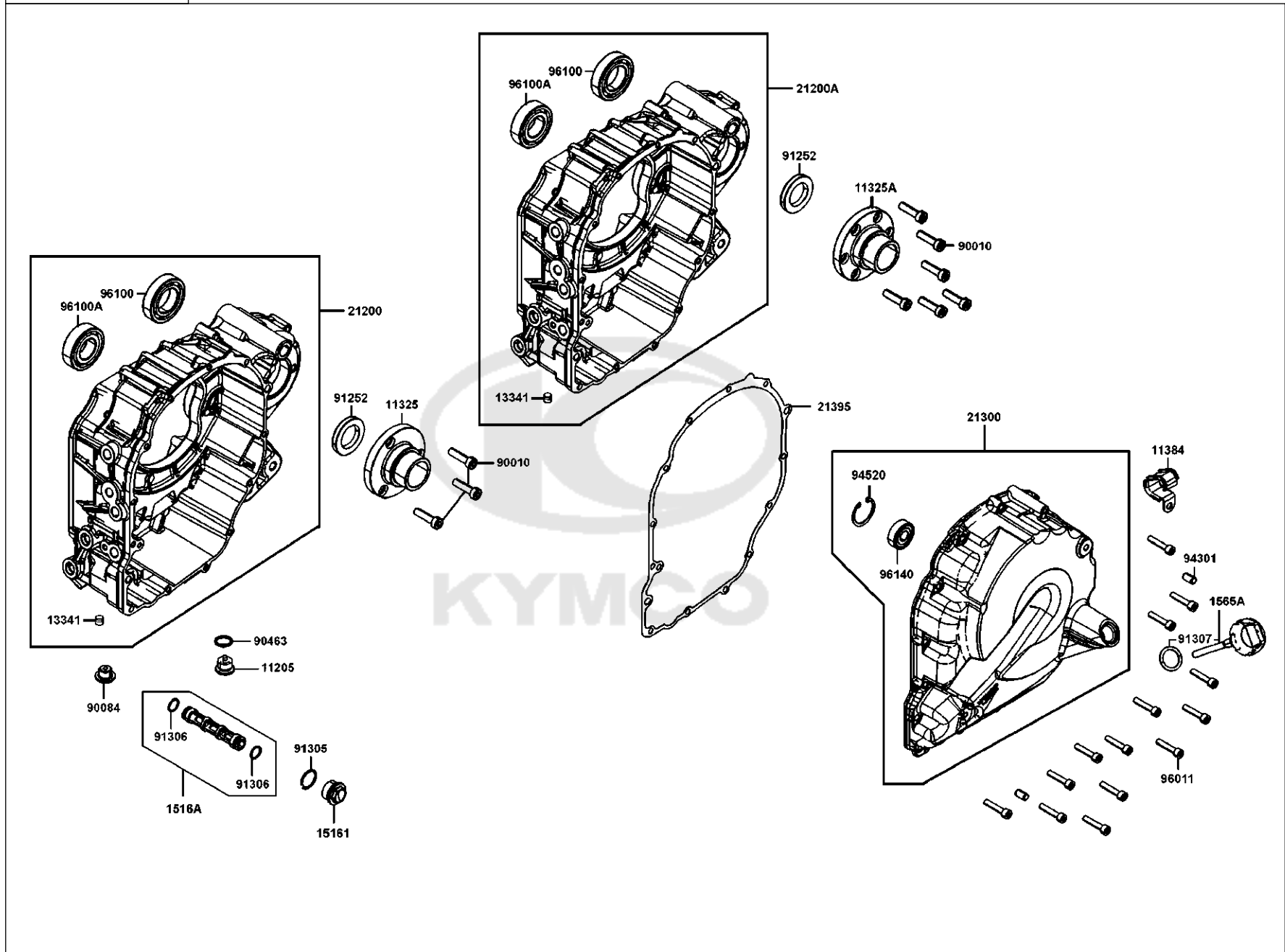
CASE COMP L MISSION



Sales mark	Ref no	Part no	Description	Reg description	Regd no	E10
11205		11205-PSA6-E00	MAGNETIC SCREW M16*1.5 /B402	MAGNETIC SCREW M16*1.5 /B402	1	
11325		11325-LGC6-E00	PIVOT L SWING ARM	PIVOT L SWING ARM	1	
11325A		11325-LGC6-E01	PIVOT L SWING ARM	PIVOT L SWING ARM	1	
11325		11325-LGC6-E02	PIVOT L SWING ARM	PIVOT L SWING ARM	1	
11384		11384-LGC6-E01	CLAMPER RR BRK HOSE	CLAMPER RR BRK HOSE	1	
13341		13341-LGC6-E00	GRUB SCREW M6 X 7	GRUB SCREW M6 X 7	1	
15161		15161-LGC6-E00	PLUG SCREW SECTION FILTER	PLUG SCREW SECTION FILTER	1	
1516A		1516A-LGC6-E00	SUCTION FILTER ASSY CRANK SIDE	SUCTION FILTER ASSY CRANK SIDE	1	
1565A		1565A-LGC6-E00	GAUGE OIL LEVEL ASSY	GAUGE OIL LEVEL ASSY	1	
1565A		1565A-LGC6-E01	GUAGE OIL LEVEL ASSY	GUAGE OIL LEVEL ASSY	1	
21200		21200-LGC6-305	CASE SET L MISSION	CASE SET L MISSION	1	
21200A		21200-LGC6-306	CASE SET L MISSION	CASE SET L MISSION	1	
21300		21300-LGC6-305	COVER SET MISSION	COVER SET MISSION	1	
21395		21395-LGC6-E00	GASKET MISSION COVER	GASKET MISSION COVER	1	
90010		90010-KKE5-E01	SPOCKET BOLT 8X30	SPOCKET BOLT 8X30	3	
90084		90084-KKE5-E00	CAPE OIL CHANNEL	CAPE OIL CHANNEL	1	
90463		90463-PUA5-E00	WASHER DIN 7603-A16*20-A1	WASHER DIN 7603-A16*20-A1	1	
91252		91252-LGC6-E00	OIL SEAL 26.9X45X7	OIL SEAL 26.9X45X7	1	
91305		91305-LEH6-E00	O RING 19.8x1.9	O RING 19.8x1.9	1	
91306		91306-PUA5-E00	O-RING 13*1.5	O-RING 13*1.5	2	

E10

CASE COMP L MISSION

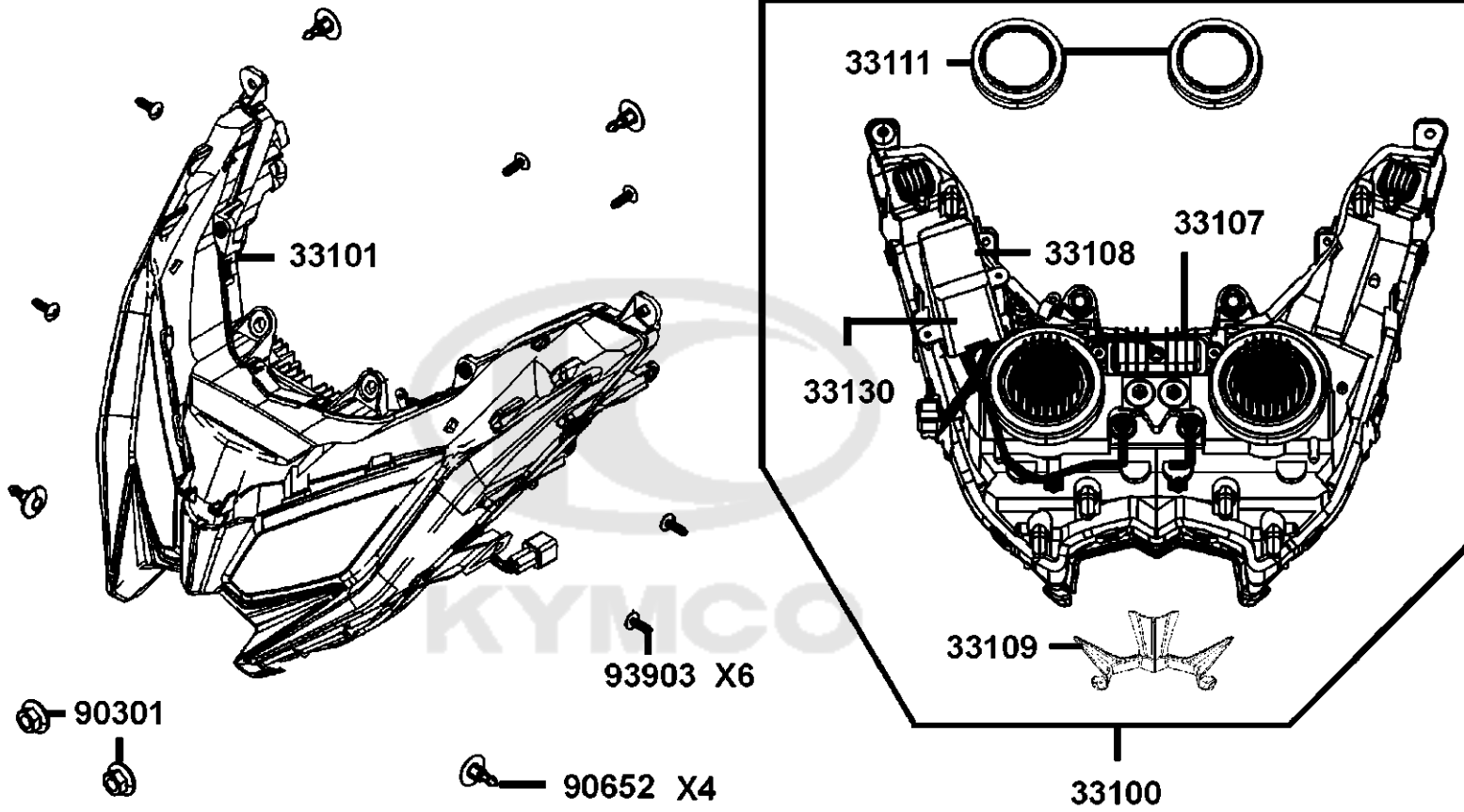


Sales mark	Ref no	Part no	Description	Reg description	Regd no	E10
91307		91307-0E35-001	O RING 18*3	O RING 18*3	1	
94301		94301-08140	DOWEL PIN 8*14	DOWEL PIN 8*14	2	
94520		94520-32180	CIR CLIP IN 32	CIR CLIP IN 32	1	
96011		96011-PRA1-E00	BOLT M6*30	BOLT M6*30	14	
96100		96100-60060-00	BEARING BALL RADIAL 6006	BEARING BALL RADIAL 6006	1	
96100A		96100-62050-00	BEARING BALL RADIAL 6205	BEARING BALL RADIAL 6205	1	
96140		96140-62010	BEARING BALL RADIAL 6201 LU	BEARING BALL RADIAL 6201 LU	1	



F01

Head Light

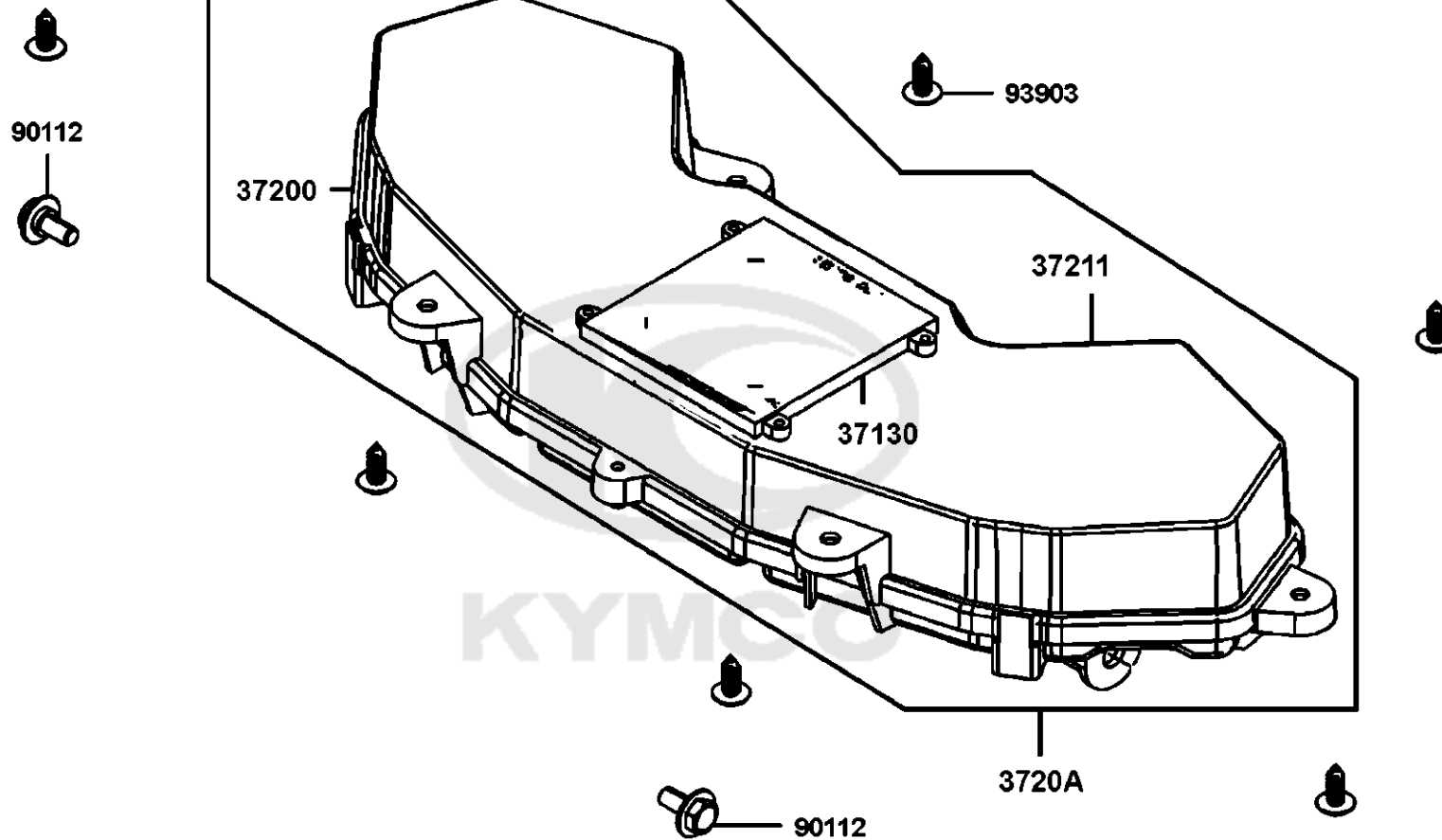


Sales mark	Ref no	Part no	Description	Reg description	Regd no	F01
**	33100	33100-LGC6-E00	LIGHT ASSY HEAD	LIGHT ASSY HEAD	1	
	33101	33101-LGC6-305	COMB HEAAD LIGHT	COMB HEAAD LIGHT	1	
	33107	33107-LGC6-E00	DRIVE PCB ASSY POSITION LIGHT	DRIVE PCB ASSY POSITION LIGHT	1	
	33108	33108-LGC6-E00	DRIVE PCB ASSY HEAD LIGHT	DRIVE PCB ASSY HEAD LIGHT	1	
**	33109	33109-LGC6-E00	OUTER RS HEAD LIGHT	OUTER RS HEAD LIGHT	1	
	33111	33111-LGC6-E00	COVER RUBBER	COVER RUBBER	2	
	33130	33130-LGC6-E00	SOCKET COMP HEAD LIGHT	SOCKET COMP HEAD LIGHT	1	
	90301	90301-6D34-671	NUT FLANGE 6MM	NUT FLANGE 6MM	2	
	90652	90652-LCA4-E00	CLIP MUDGUARD	CLIP MUDGUARD	4	
	93903	93903-35260	SCREW TAPPING 5X12	SCREW TAPPING 5X12	4	



F02

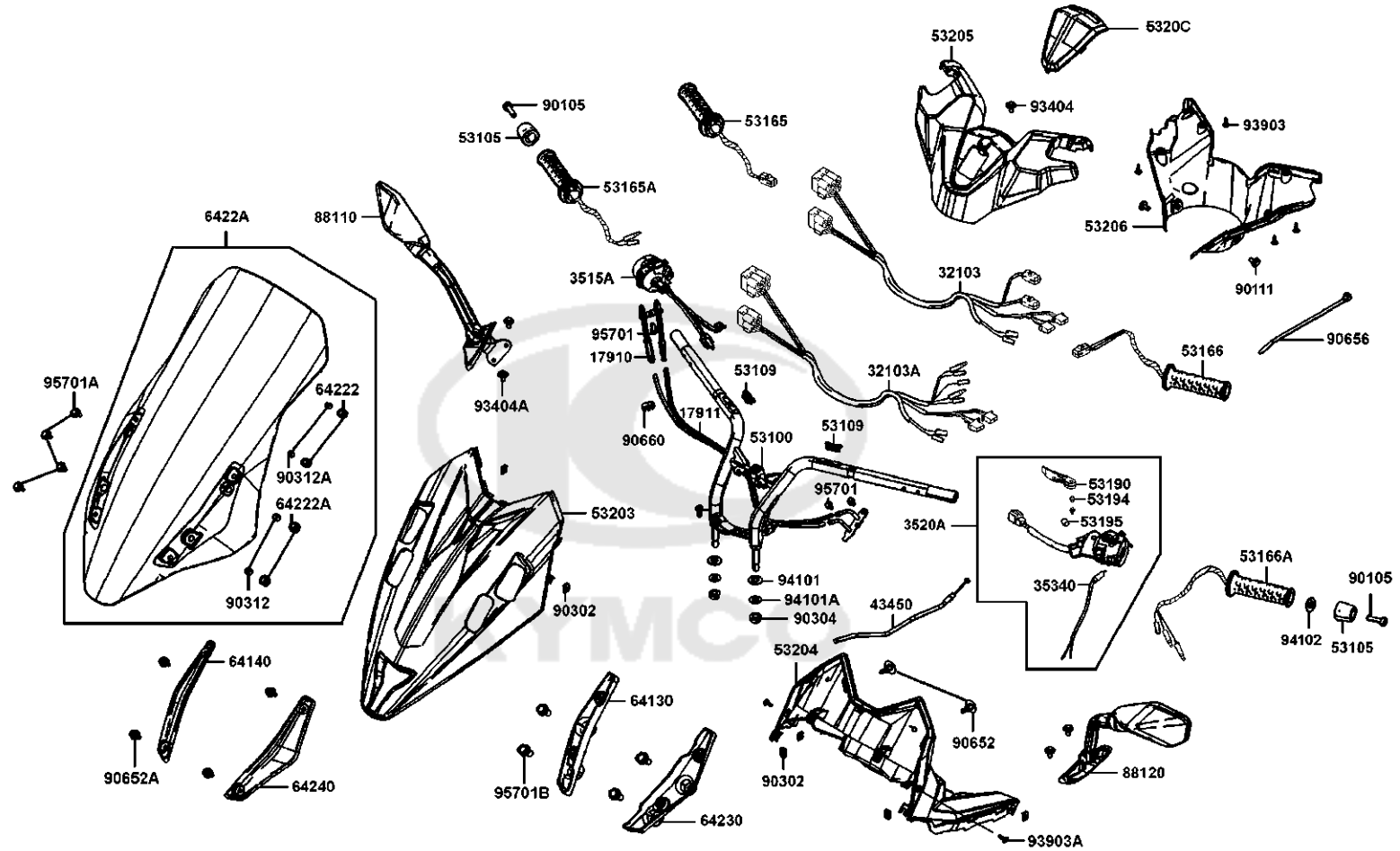
Speedometer



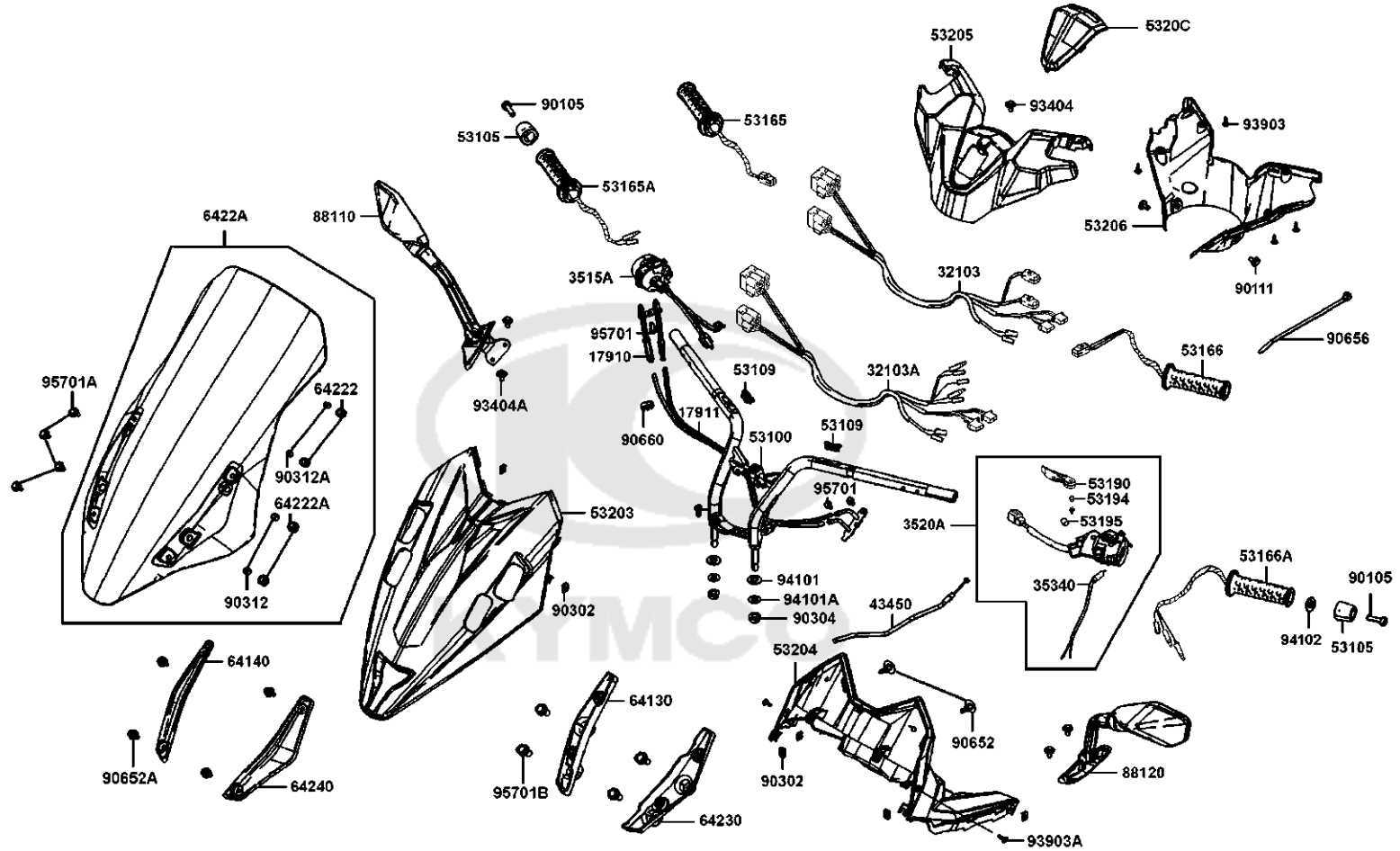
Sales mark	Ref no	Part no	Description	Reg description	Regd no	F02
	37130	37130-LGC6-E01	COMP ASSY TFT&PCBA (noodoe)	COMP ASSY TFT&PCBA (noodoe)	1	
	37130	37130-LGC6-E80	COMP ASSY TFT&PCBA (noodoe)	COMP ASSY TFT&PCBA (noodoe)	1	
	37200	37200-LGC6-305	METER COMP SPEED(W/O NOODOE)	METER COMP SPEED(W/O NOODOE)	1	
	3720A	37200-LGC6-E80	METER ASSY SPEED	METER ASSY SPEED	1	
	3720A	3720A-LGC6-E01	METER SETSPEED	METER SETSPEED	1	
	37211	37211-LGC6-E00	LENS ASSY	LENS ASSY	1	
	90112	90112-KNBN-901	BOLT FLANGE 6MM	BOLT FLANGE 6MM	2	
	93903	93903-LHJ8-900	SCREW TAPPING 5*14	SCREW TAPPING 5*14	6	
	93903	93903-LHJ8-910	SCREW TAPPING 5*14	SCREW TAPPING 5*14	6	



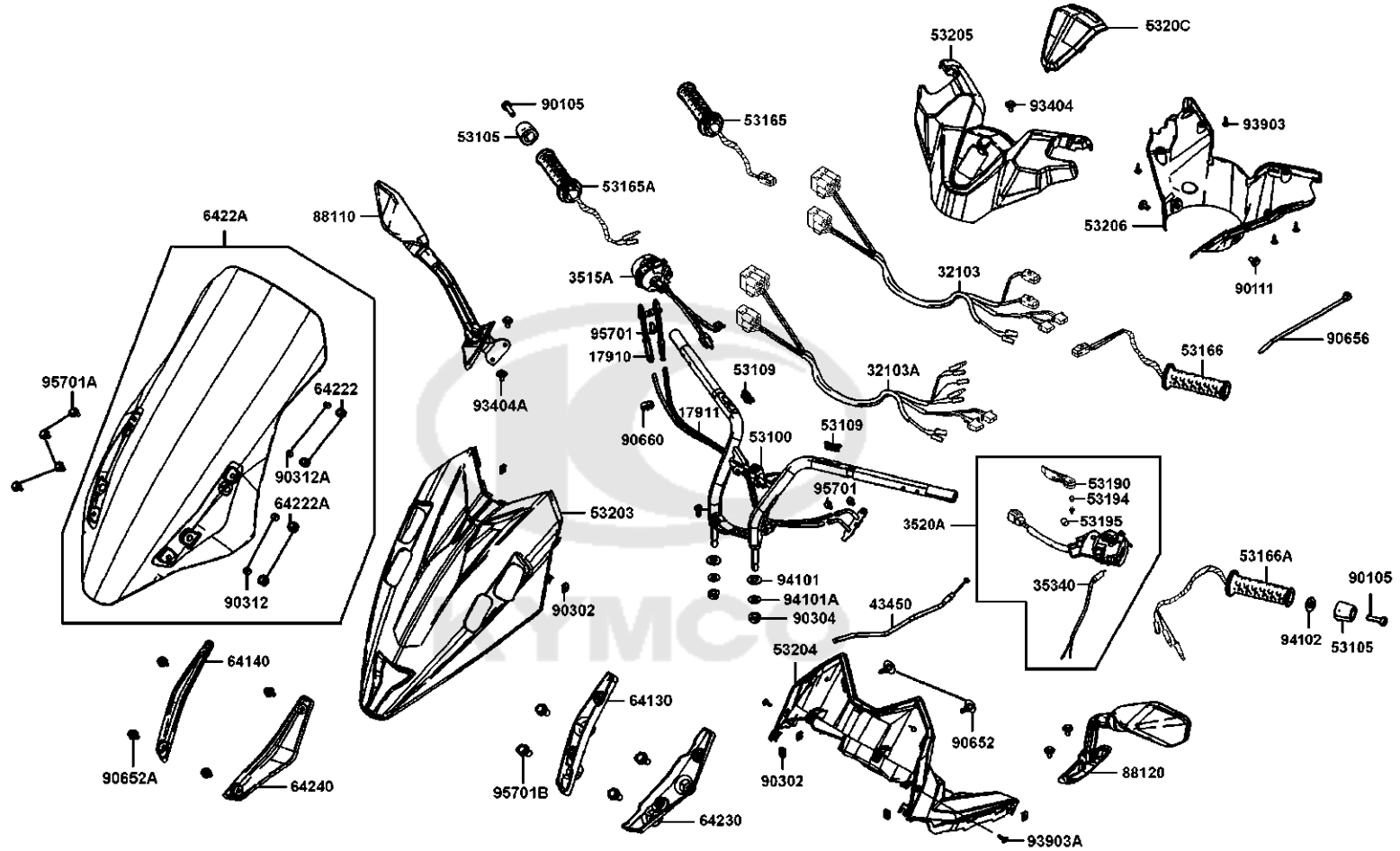
Handle Steering Handle Cover



Sales mark	Ref no	Part no	Description	Reg description	Regd no	F03
	17910	17910-LGC6-E00	CABLE A COMP THROT	CABLE A COMP THROT	1	
	17911	17911-LGC6-E00	CABLE B COMP THROT	CABLE B COMP THROT	1	
	32103	32103-LGC6-E01	SUB HARNESS HANDLE	SUB HARNESS HANDLE	1	
	32103A	32103-LGC6-E02	SUB HARNESS HANDLE	SUB HARNESS HANDLE	1	
	3515A	3515A-LGC6-E00	SW. ASSY.. RH. HANDLE COMP.	SW. ASSY.. RH. HANDLE COMP.	1	
	3520A	3520A-LGC6-E00	SW. ASSY.. LH. HANDLE COMP.	SW. ASSY.. LH. HANDLE COMP.	1	
	35340	35340-KFLF-900	SW ASSY FR STOP	SW ASSY FR STOP	1	
	43450	43450-LGC6-E00	CABLE COMP PARKING	CABLE COMP PARKING	1	
	53100	53100-LGC6-E00	HANDLE COMP STRG	HANDLE COMP STRG	1	
	53105	53105-LGC6-E00	END HANDLE	END HANDLE	2	
	53109	53109-LGC6-E00	GROMMET HANDLE BAR	GROMMET HANDLE BAR	2	
	53165	53165-LGC6-E00	GRIP R HANDLE HEATED	GRIP R HANDLE HEATED	1	
	53165A	53165-LGC6-E01	GRIP R HANDLE HEATED	GRIP R HANDLE HEATED	1	
	53166	53166-LGC6-E00	GRIP L HANDLE HEATED	GRIP L HANDLE HEATED	1	
	53166A	53166-LGC6-E01	GRIP L HANDLE HEATED	GRIP L HANDLE HEATED	1	
	53190	53190-LGC6-E00	LEVER PARKING BRAKE	LEVER PARKING BRAKE	1	
	53194	53194-LGC6-E00	PIVOT BOSS	PIVOT BOSS	2	
	53195	53195-LGC6-E00	STOPPER RUBBER	STOPPER RUBBER	1	
**	53203	53203-LGC6-E00	COVER FR MERTER	COVER FR MERTER	1	
**	53204	53204-LGC6-E00	COVER METER	COVER METER	1	



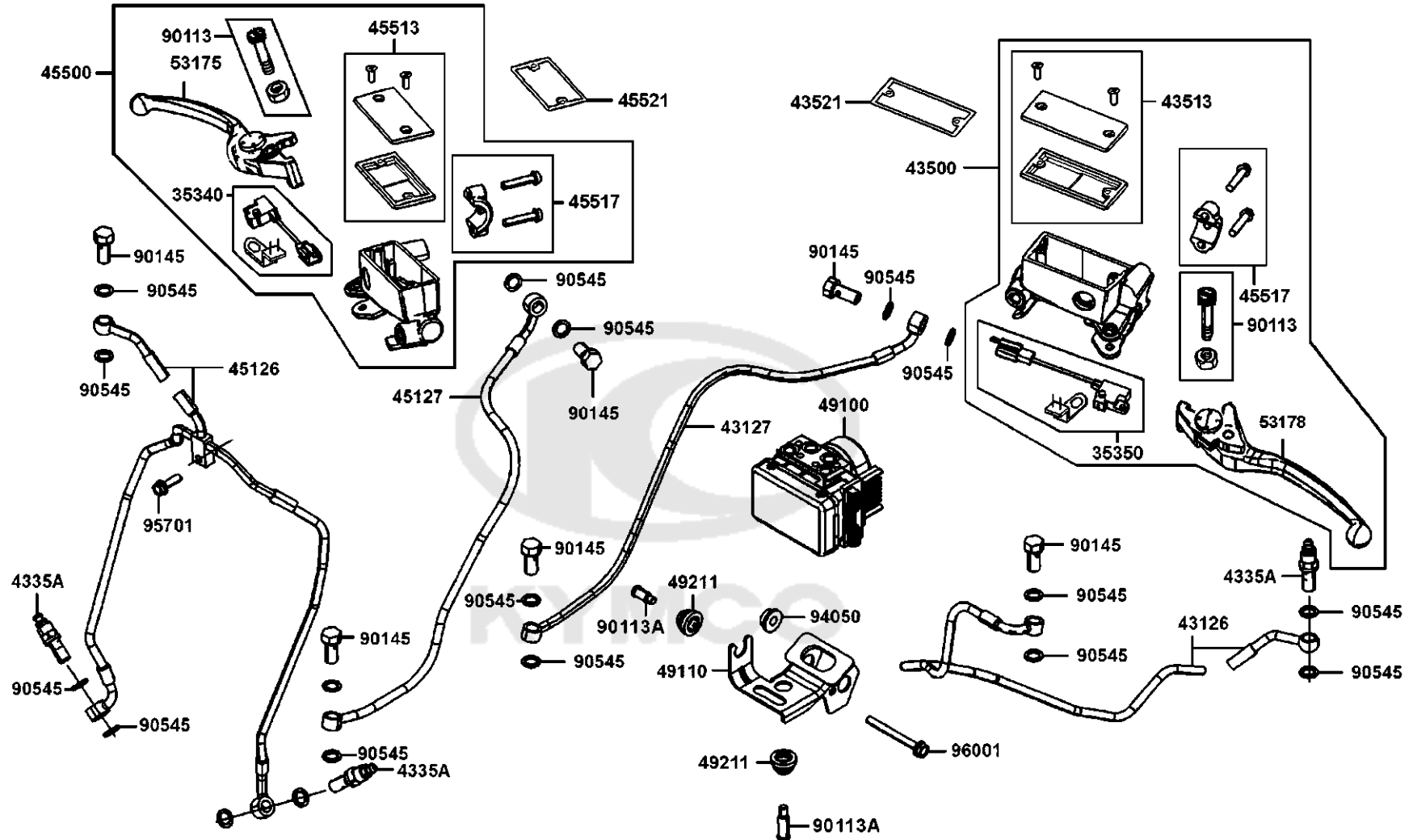
Sales mark	Ref no	Part no	Description	Reg description	Regd no	F03
**	53205	53205-LGC6-E00	COVER HANDLE UP	COVER HANDLE UP	1	
**	53206	53206-LGC6-E00	COVER HANDLE LOW	COVER HANDLE LOW	1	
**	5320C	5320C-LGC6-E00	TOP COVER ASSY.HANDLE COVER	TOP COVER ASSY.HANDLE COVER	1	
**	64130	64130-LGC6-E00	HOLDER ASSY R WIND SCREEN	HOLDER ASSY R WIND SCREEN	1	
**	64140	64140-LGC6-E00	COVERR WIND SCREEN	COVERR WIND SCREEN	1	
	64222	64222-KKC4-900	RUBBER WIND SCREEN	RUBBER WIND SCREEN	2	
	64222A	64222-LLJ3-E00	RUBBER WIND SCREEN	RUBBER WIND SCREEN	2	
**	6422A	6422A-LGC6-E00	WIND SCRRN ASSY.	WIND SCRRN ASSY.	1	
**	64230	64230-LGC6-E00	HOLDER ASSY L WIND SCREEN	HOLDER ASSY L WIND SCREEN	1	
**	64240	64240-LGC6-E00	COVERL WIND SCREEN	COVERL WIND SCREEN	1	
	88110	88110-LGC6-E00	MIRROR ASSY R BACK	MIRROR ASSY R BACK	1	
	88120	88120-LGC6-E00	MIRROR ASSY L BACK	MIRROR ASSY L BACK	1	
	90105	90105-KFC2-900	BOLT WASH 8MM	BOLT WASH 8MM	2	
	90111	90111-LGC6-E01	SCREW PAN 6X14	SCREW PAN 6X14	2	
	90302	90302-SDA4-004	NUT SPRING 4MM(C)	NUT SPRING 4MM(C)	6	
	90304	90304-LEA1-900	NUT U 10MM	NUT U 10MM	2	
	90312	90312-GLF0-001	COLLAR BODY COVER	COLLAR BODY COVER	2	
	90312A	90312-LLJ3-E00	COLLAR WIND SCREEN	COLLAR WIND SCREEN	2	
	90652	90652-LCA4-E00	CLIP MUDGUARD	CLIP MUDGUARD	2	
	90652A	90652-LGC6-E00	PUSH RIVET	PUSH RIVET	4	



Sales mark	Ref no	Part no	Description	Reg description	Regd no	F03
90656		90656-KCBC-900	BAND OIL HANDLE 8*146()	BAND OIL HANDLE 8*146()	2	
90660		90660-PWA2-900	CLAMP TUBE	CLAMP TUBE	2	
93404		93404-06012-06	BOLT WASHER 6X12	BOLT WASHER 6X12	1	
93404A		93404-06016-06	BOLT WASHER 6X16	BOLT WASHER 6X16	4	
93903		93903-24360	SCREW TAPPING 4*12	SCREW TAPPING 4*12	4	
93903A		93903-LGC6-E01	SCREW TAPPING	SCREW TAPPING	2	
94101		94101-10000	WASHER PLAIN 10MM	WASHER PLAIN 10MM	2	
94101A		94101-12000	WASHER PLAIN 12 MM	WASHER PLAIN 12 MM	2	
94102		94102-08000	WASHER PLAIN 8MM	WASHER PLAIN 8MM	1	
95701		95701-06012-06	BOLT FLANGE 6X12	BOLT FLANGE 6X12	3	
95701A		95701-06020-06	BOLT FLANGE 6*20	BOLT FLANGE 6*20	4	
95701B		95701-08016-06	BOLT FLANGE 8*16	BOLT FLANGE 8*16	4	

F04

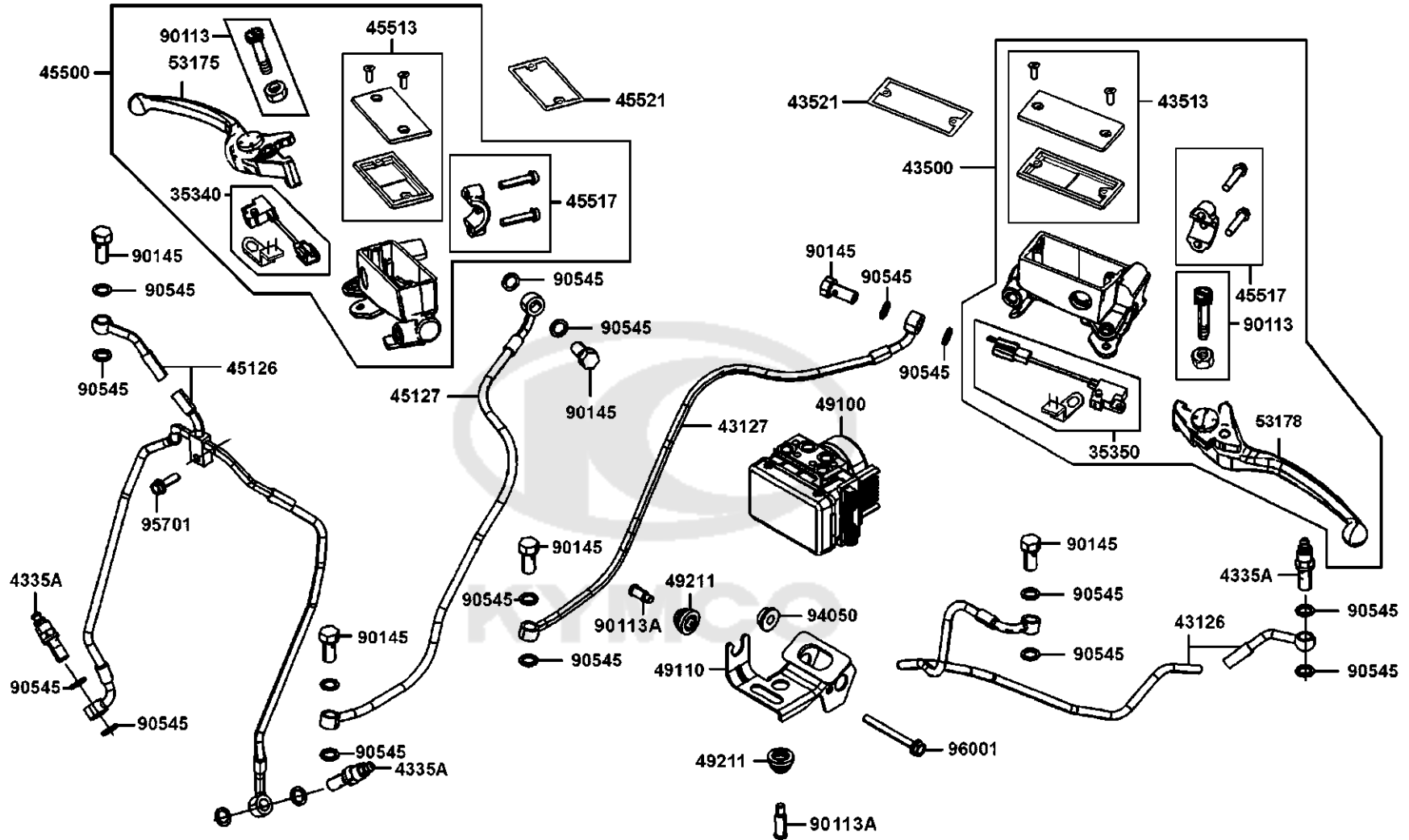
Brake Master Cylinder



Sales mark	Ref no	Part no	Description	Reg description	Regd no	F04
	35340	35340-LGC6-E00	SW ASSY FR STOP	SW ASSY FR STOP	1	
	35350	35350-LGC6-E00	SW ASSY RR STOP	SW ASSY RR STOP	1	
	43126	43126-LGC6-E00	HOSE COMP A RR BRAKE	HOSE COMP A RR BRAKE	1	
	43127	43127-LGC6-E00	HOSE COMP B RR BRAKE	HOSE COMP B RR BRAKE	1	
	4335A	4335A-LGC6-E00	BLEEDER ASSY	BLEEDER ASSY	1	
	43500	43500-LGC6-E00	M/C ASSY RR	M/C ASSY RR	1	
	43513	43513-LGC6-E00	CAP L M/C	CAP L M/C	1	
	43521	43521-LGC6-E00	PLATE DIAPHRAGM	PLATE DIAPHRAGM	1	
	45126	45126-LGC6-E00	HOSE COMP A FR BRAKE	HOSE COMP A FR BRAKE	1	
	45127	45127-LGC6-E00	HOSE COMP B FR BRAKE	HOSE COMP B FR BRAKE	1	
	45500	45500-LGC6-E00	M/C ASSY FR	M/C ASSY FR	1	
	45513	45513-LGC6-E00	CAP R M/C	CAP R M/C	1	
	45517	45517-LGC6-E00	HOLDER M/C	HOLDER M/C	1	
	45521	45521-LGC6-E00	PLATE DIAPHRAGM	PLATE DIAPHRAGM	1	
	49100	49100-LGC6-E00	MODULATOR ASSY ABS	MODULATOR ASSY ABS	1	
	49110	49110-LGC6-E00	STAY ABS	STAY ABS	1	
	49211	49211-LFH1-E00	RUBBER BUSH	RUBBER BUSH	2	
	53175	53175-LGC6-E00	LEVER R STRG HNDL	LEVER R STRG HNDL	1	
	53178	53178-LGC6-E00	LEVER L STRG HNDL	LEVER L STRG HNDL	1	
	90113	90113-LGC6-E00	LEVER PIN	LEVER PIN	2	

F04

Brake Master Cylinder

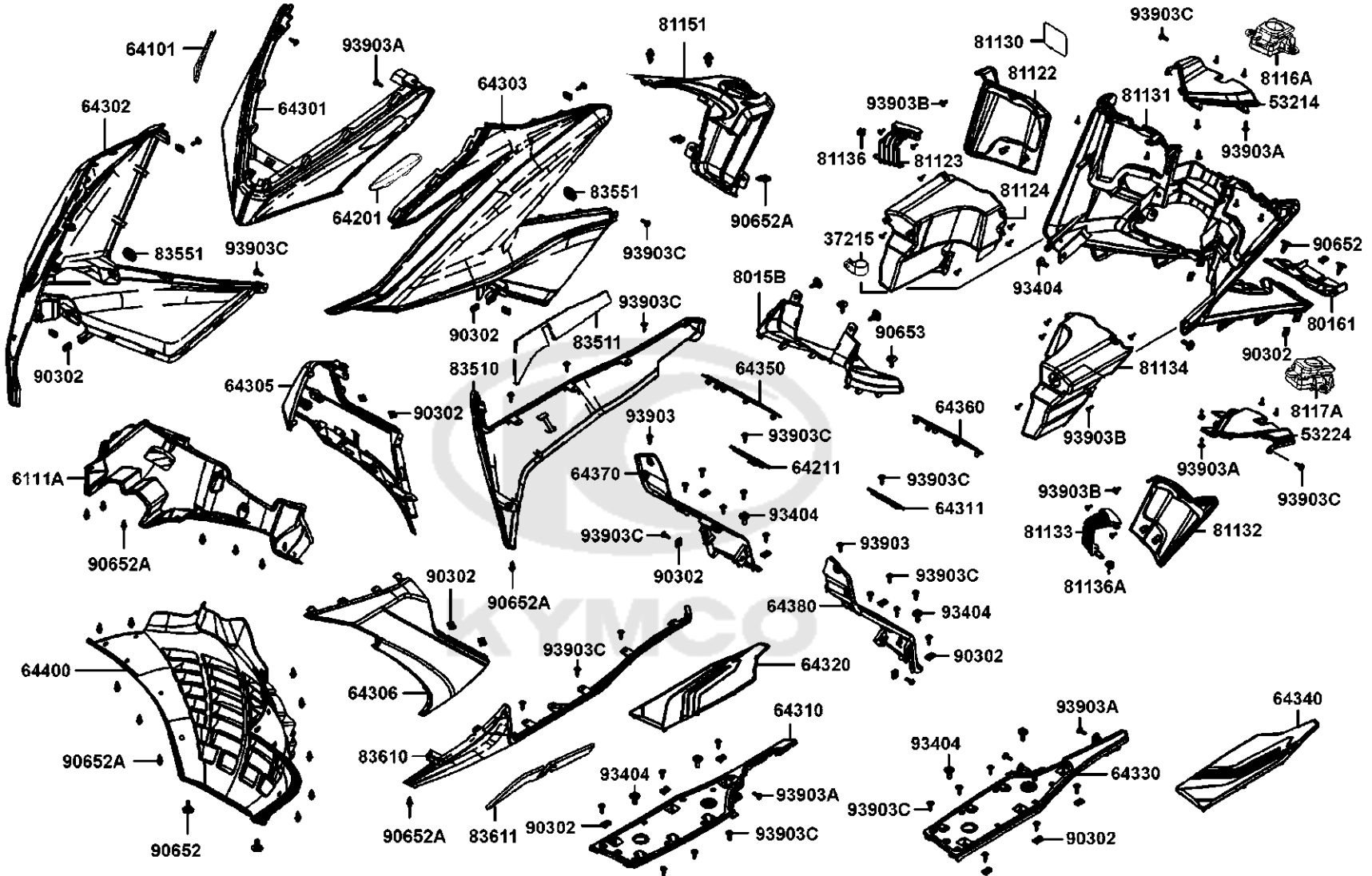


Sales mark	Ref no	Part no	Description	Reg description	Regd no	F04
90113A	90113-LGE5-E01	90113-LGE5-E01	BOLT FLANGE 6*20 ABS	BOLT FLANGE 6*20 ABS	2	
90145	90145-LFH1-E00	90145-LFH1-E00	OIL BOLT 10x22	OIL BOLT 10x22	6	
90545	90545-3L00-001	90545-3L00-001	WASHER OIL BOLT	WASHER OIL BOLT	18	
94050	94050-06060	94050-06060	NUT FLANGE 6MM	NUT FLANGE 6MM	1	
95701	95701-06020-06	95701-06020-06	BOLT FLANGE 6*20	BOLT FLANGE 6*20	1	
96001	96001-06060-06	96001-06060-06	BOLT FLANE 6*60	BOLT FLANE 6*60	1	

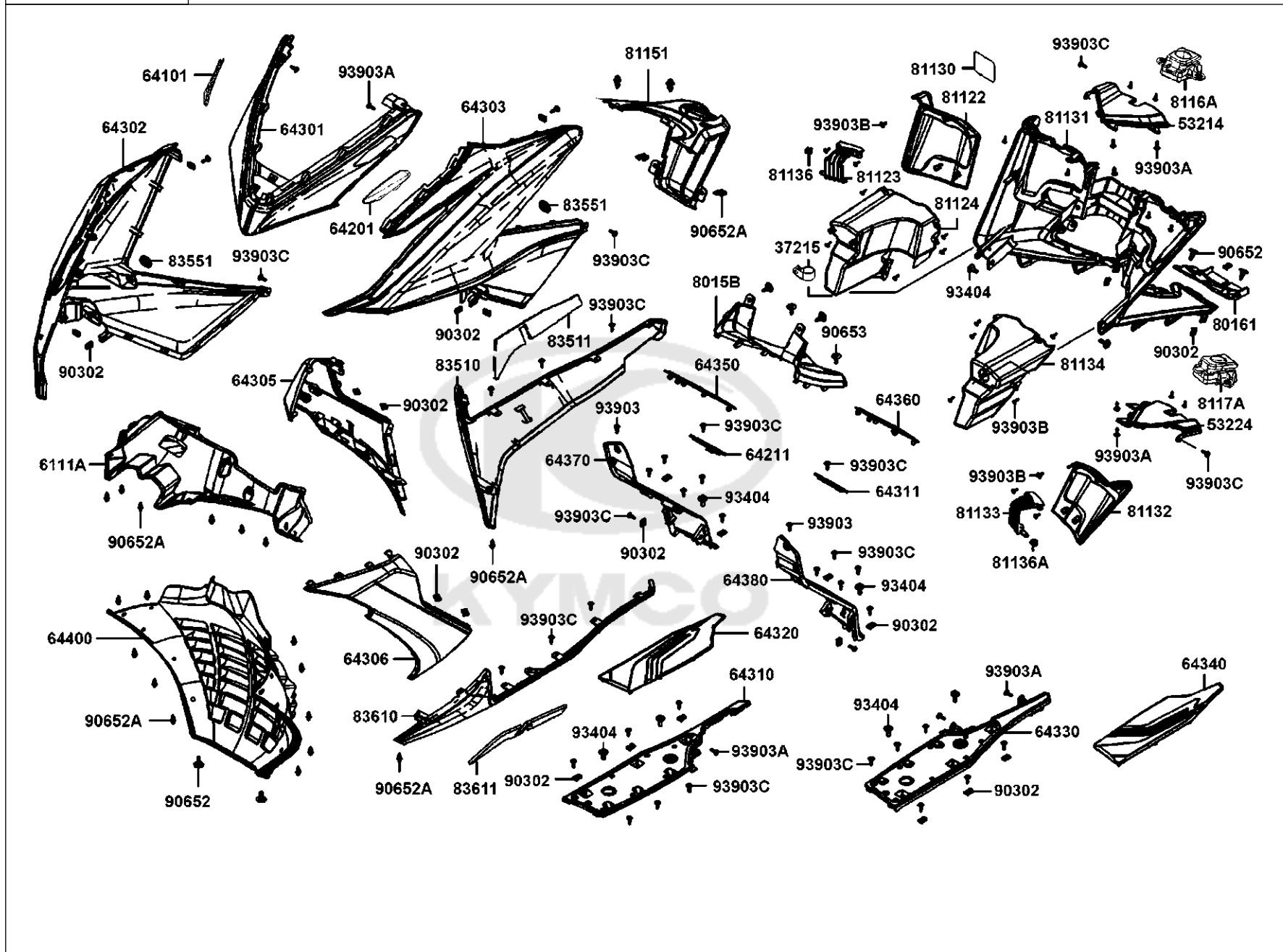


F05

Front Cover/Floor Panel



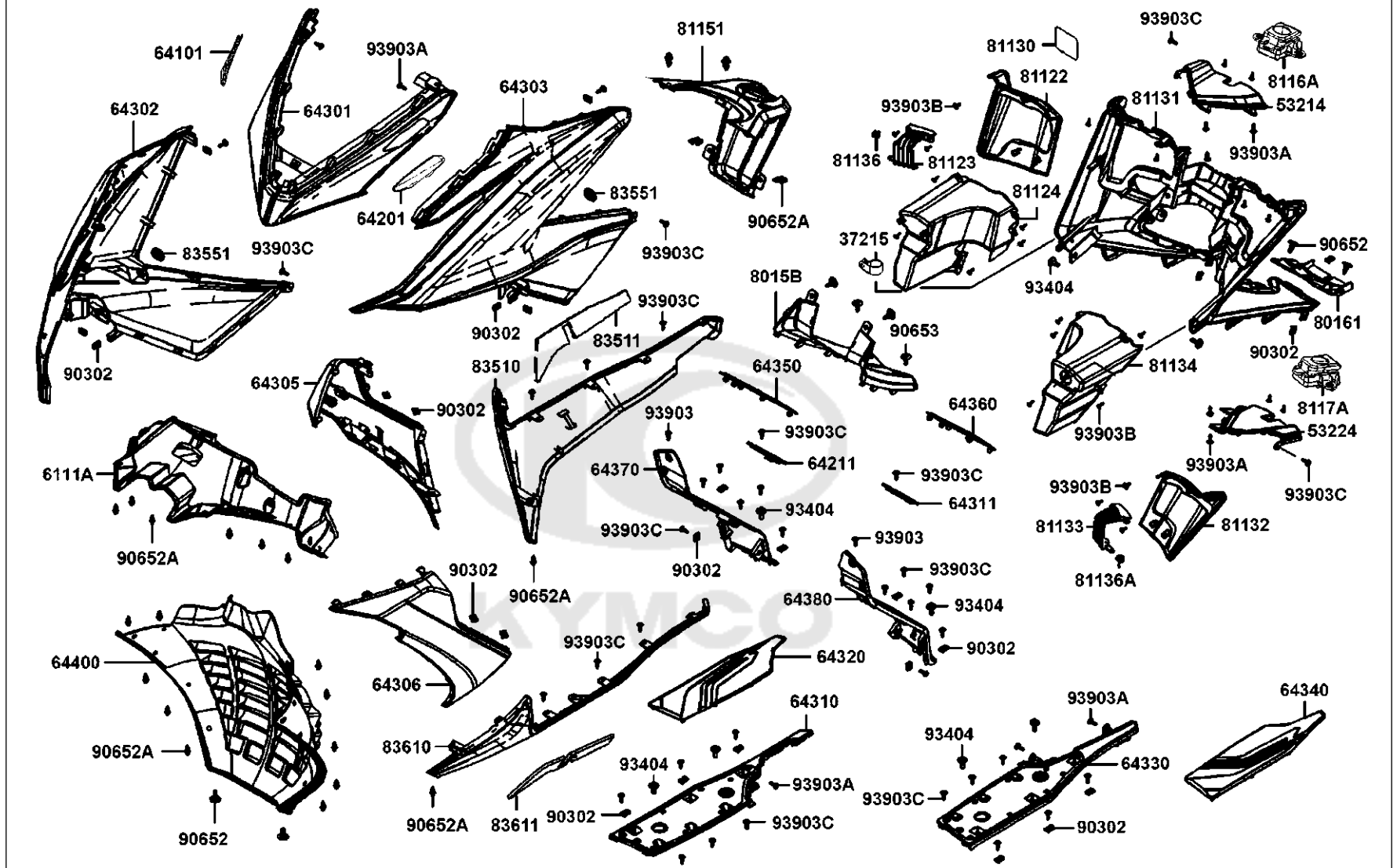
Sales mark	Ref no	Part no	Description	Reg description	Regd no	F05
	37215	37215-LHJ3-900	CLAMPER	CLAMPER	1	
	53214	53214-LGC6-E00	LEG SHIELD UP R SIDE	LEG SHIELD UP R SIDE	1	
	53224	53224-LGC6-E00	LEG SHIELD UP L SIDE	LEG SHIELD UP L SIDE	1	
**	6111A	6111A-LGC6-E00	FENDER ASSY FRONT INNER	FENDER ASSY FRONT INNER	1	
	64101	64101-LGC6-E00	RUBBER R FR COVER	RUBBER R FR COVER	1	
	64201	64201-LGC6-E00	RUBBER L FR COVER	RUBBER L FR COVER	1	
**	64211	64211-LGC6-E00	LID OBD COUPLER	LID OBD COUPLER	1	
**	64301	64301-LGC6-E00	COVER FRONT	COVER FRONT	1	
**	64302	64302-LGC6-E00	MOLDING A R SIDE	MOLDING A R SIDE	1	
**	64303	64303-LGC6-E00	MOLDING A L SIDE	MOLDING A L SIDE	1	
**	64305	64305-LGC6-E00	SKIRT R SIDE	SKIRT R SIDE	1	
**	64306	64306-LGC6-E00	SKIRT L SIDE	SKIRT L SIDE	1	
**	64310	64310-LGC6-E00	PANEL A R FLOOR	PANEL A R FLOOR	1	
**	64311	64311-LGC6-E00	LID RESERVE TANK	LID RESERVE TANK	1	
**	64320	64320-LGC6-E00	MAT R FLOOR	MAT R FLOOR	1	
**	64330	64330-LGC6-E00	PANEL A L FLOOR	PANEL A L FLOOR	1	
**	64340	64340-LGC6-E00	MAT L FLOOR	MAT L FLOOR	1	
**	64350	64350-LGC6-E00	MAT R LEG SHIELD	MAT R LEG SHIELD	1	
**	64360	64360-LGC6-E00	MAT L LEG SHIELD	MAT L LEG SHIELD	1	
**	64370	64370-LGC6-E00	PANEL B R FLOOR	PANEL B R FLOOR	1	



Sales mark	Ref no	Part no	Description	Reg description	Regd no	F05
**	64380	64380-LGC6-E00	PANEL B L FLOOR	PANEL B L FLOOR	1	
**	64400	64400-LGC6-E00	COWL UNDER	COWL UNDER	1	
**	8015B	8015B-LGC6-E00	COVER ASSY. CENTER	COVER ASSY. CENTER	1	
	80161	80161-LGC6-E00	LID LEG SHIELD	LID LEG SHIELD	1	
	81122	81122-LGC6-E00	LID R FR INNER BOX	LID R FR INNER BOX	1	
	81123	81123-LGC6-E00	HINGE R FR INNER BOX	HINGE R FR INNER BOX	1	
	81124	81124-LGC6-E00	BOX R FR INNER BOX	BOX R FR INNER BOX	1	
	81130	81130-LGC6-E00	SEAL FR INNER BOX	SEAL FR INNER BOX	1	
	81131	81131-LGC6-E00	LEG SHIELD	LEG SHIELD	1	
	81132	81132-LGC6-E00	LID L FR INNER BOX	LID L FR INNER BOX	1	
	81133	81133-LGC6-E00	HINGE L FR INNER BOX	HINGE L FR INNER BOX	1	
	81134	81134-LGC6-E00	BOX L FR INNER BOX	BOX L FR INNER BOX	1	
	81136	81136-ACD5-E00	SPRING FR INNER BOX	SPRING FR INNER BOX	1	
	81136A	81136-LEA7-E00	SPRING FR INNER BOX	SPRING FR INNER BOX	1	
**	81151	81151-LGC6-E00	COVER KEY	COVER KEY	1	
	8116A	8116A-LGC6-E00	LOCK ASSY. R FR BOX	LOCK ASSY. R FR BOX	1	
	8117A	8117A-LGC6-E00	LOCK ASSY L FR BOX	LOCK ASSY L FR BOX	1	
**	83510	83510-LGC6-E00	COVER R SIDE	COVER R SIDE	1	
	83511	83511-LGC6-E00	SPONGE R SIDE COVER	SPONGE R SIDE COVER	1	
	83551	83551-LGC6-E00	GROMMER COVER	GROMMER COVER	2	

F05

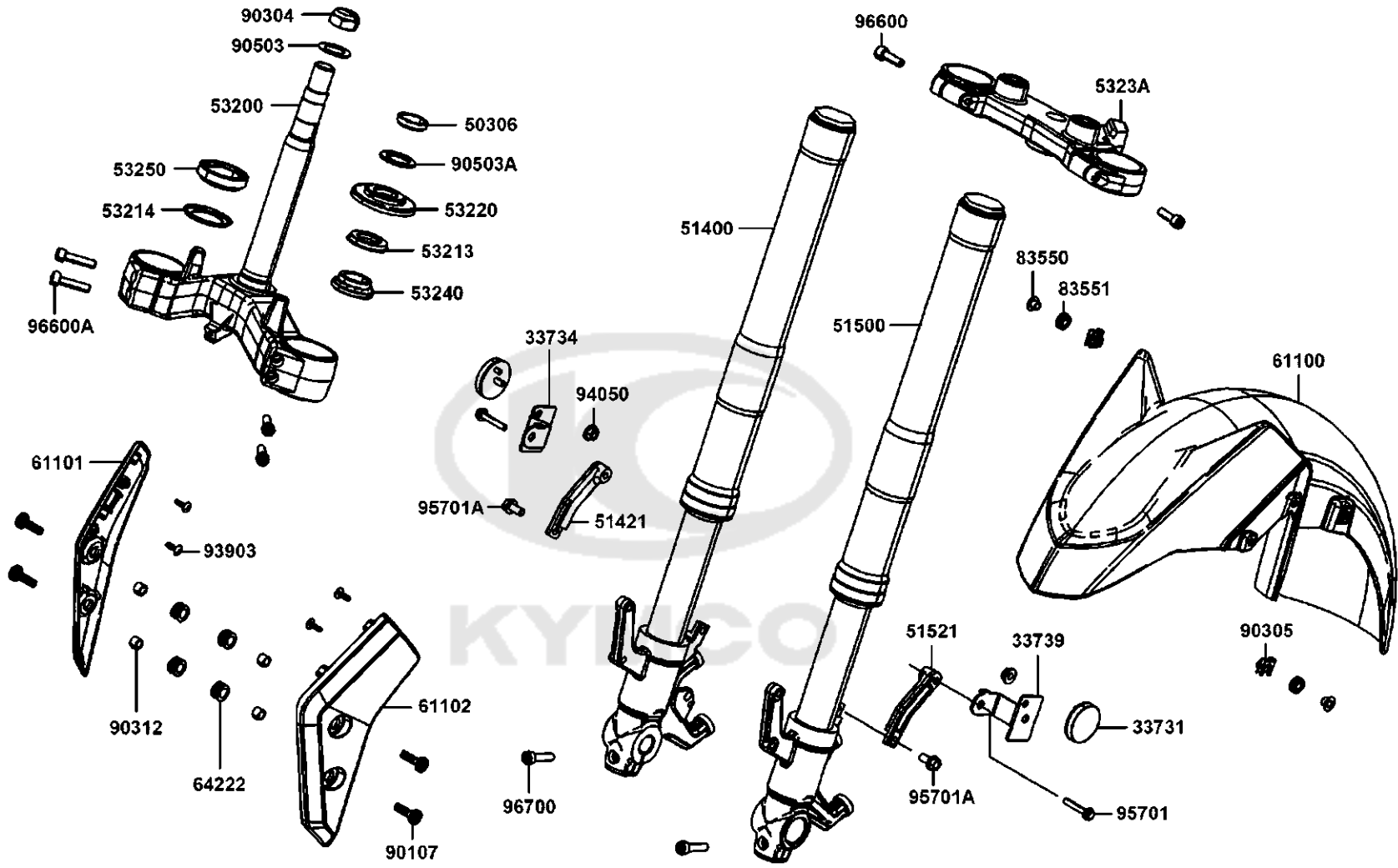
Front Cover/Floor Panel



Sales mark	Ref no	Part no	Description	Reg description	Regd no	F05
**	83610	83610-LGC6-E00	COVER L SIDE	COVER L SIDE	1	
	83611	83611-LGC6-E00	SPONGE L SIDE COVER	SPONGE L SIDE COVER	1	
	90302	90302-SDA4-004	NUT SPRING 4MM(C)	NUT SPRING 4MM(C)	24	
	90652	90652-LCA4-E00	CLIP MUDGUARD	CLIP MUDGUARD	6	
	90652A	90652-LFB5-900	CLIP MUDGUARD	CLIP MUDGUARD	22	
	90653	90653-LGC6-E00	CLIP MUDGUARD	CLIP MUDGUARD	4	
	93404	93404-06012-06	BOLT WASHER 6X12	BOLT WASHER 6X12	8	
	93903	93903-14460	SCREW TAPPING 4*16	SCREW TAPPING 4*16	2	
	93903A	93903-24360	SCREW TAPPING 4*12	SCREW TAPPING 4*12	5	
	93903B	93903-34360	SCREW TAPPING 4*12	SCREW TAPPING 4*12	22	
	93903C	93903-GFY6-900	SCREW TAPPING 4*14	SCREW TAPPING 4*14	38	

F06

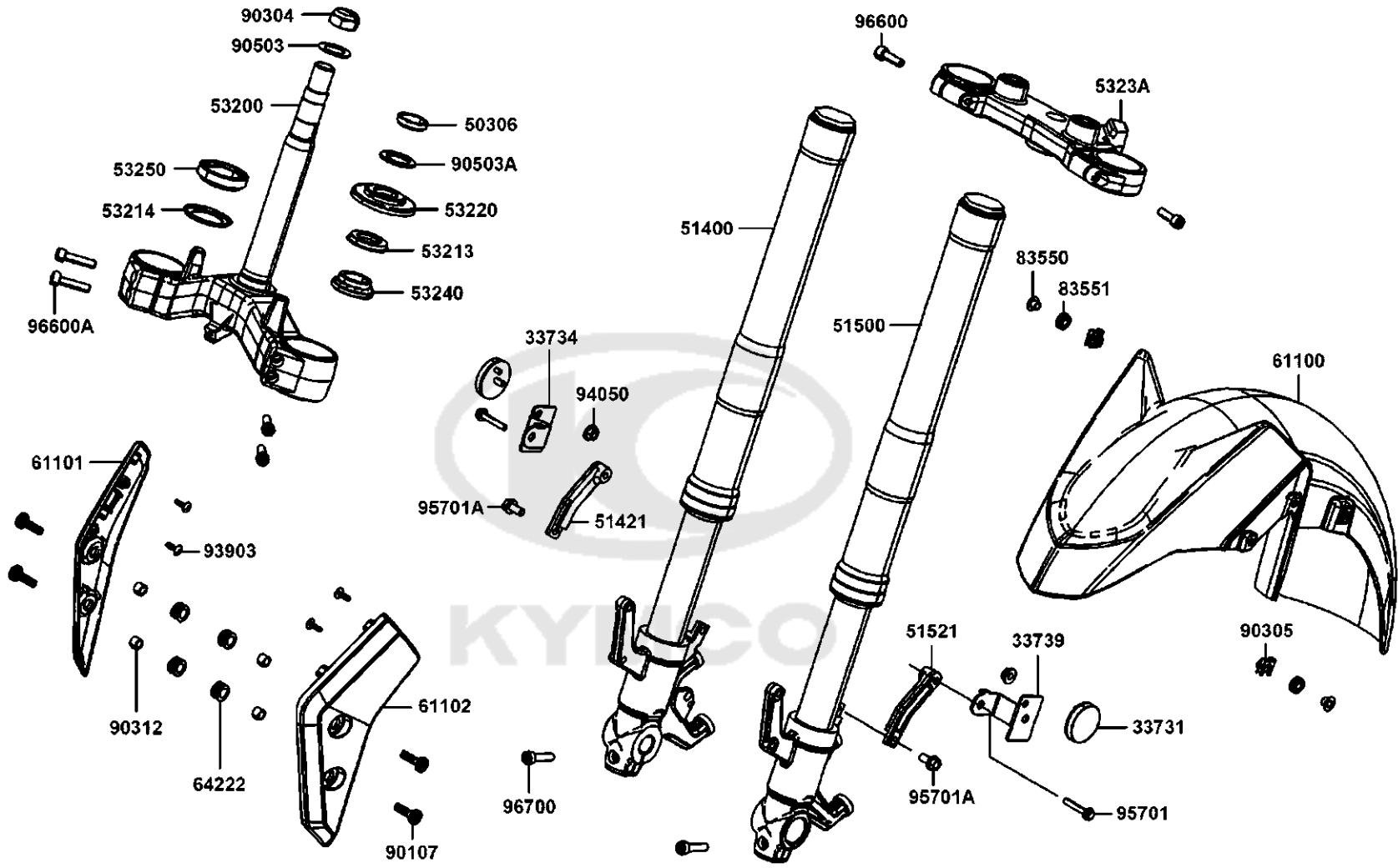
Front Cushion



Sales mark	Ref no	Part no	Description	Reg description	Regd no	F06
	33731	33731-LHJ8-900	REFLEX REFLECTOR. SIDE	REFLEX REFLECTOR. SIDE	2	
	33734	33734-LGC6-E00	STAY RH REFLEX REFLECTOR	STAY RH REFLEX REFLECTOR	1	
	33739	33739-LGC6-E00	STAY LH REFLEX REFLECTOR	STAY LH REFLEX REFLECTOR	1	
	50306	50306-1F96-001	NUT STRG STEM LOCK	NUT STRG STEM LOCK	1	
**	51400	51400-LGC6-E00	FORK ASSY FR R	FORK ASSY FR R	1	
**	51421	51421-LGC6-E00	STAY FR FENDER R	STAY FR FENDER R	1	
**	51500	51500-LGC6-E00	FORK ASSY FR L	FORK ASSY FR L	1	
**	51521	51521-LGC6-E00	STAY FR FENDER L	STAY FR FENDER L	1	
	53200	53200-LGC6-E00	STEM COMP STRG	STEM COMP STRG	1	
	53213	53213-LBA2-E00	DUST SEAL STRG HEAD TOP	DUST SEAL STRG HEAD TOP	1	
	53214	53214-LBA2-E00	COVER R SIDE	COVER R SIDE	1	
	53220	53220-LGC6-E00	THREAD COMP. STRG HEAD TOP	THREAD COMP. STRG HEAD TOP	1	
	5323A	5323A-LGC6-E00	BRIDGE ASSY FR FORK	BRIDGE ASSY FR FORK	1	
	53240	53240-LEA7-90A	BEARING TOP STRG (mark:TP1)	BEARING TOP STRG (mark:TP1)	1	
	53250	53250-LEA7-90A	BEARING BOT STRG (mark:TP1)	BEARING BOT STRG (mark:TP1)	1	
**	61100	61100-LGC6-E00	FENDER A FRONT (Mat Blue / Mat Black)	FENDER A FRONT (Mat Blue / Mat Black)	1	
**	61101	61101-LGC6-E00	FENDER COVER R SIDE	FENDER COVER R SIDE	1	
**	61102	61102-LGC6-E00	FENDER COVER L SIDE	FENDER COVER L SIDE	1	
	64222	64222-LLJ3-E00	RUBBER WIND SCREEN	RUBBER WIND SCREEN	4	
	83550	83550-KEC8-900	COLLAR	COLLAR	2	

F06

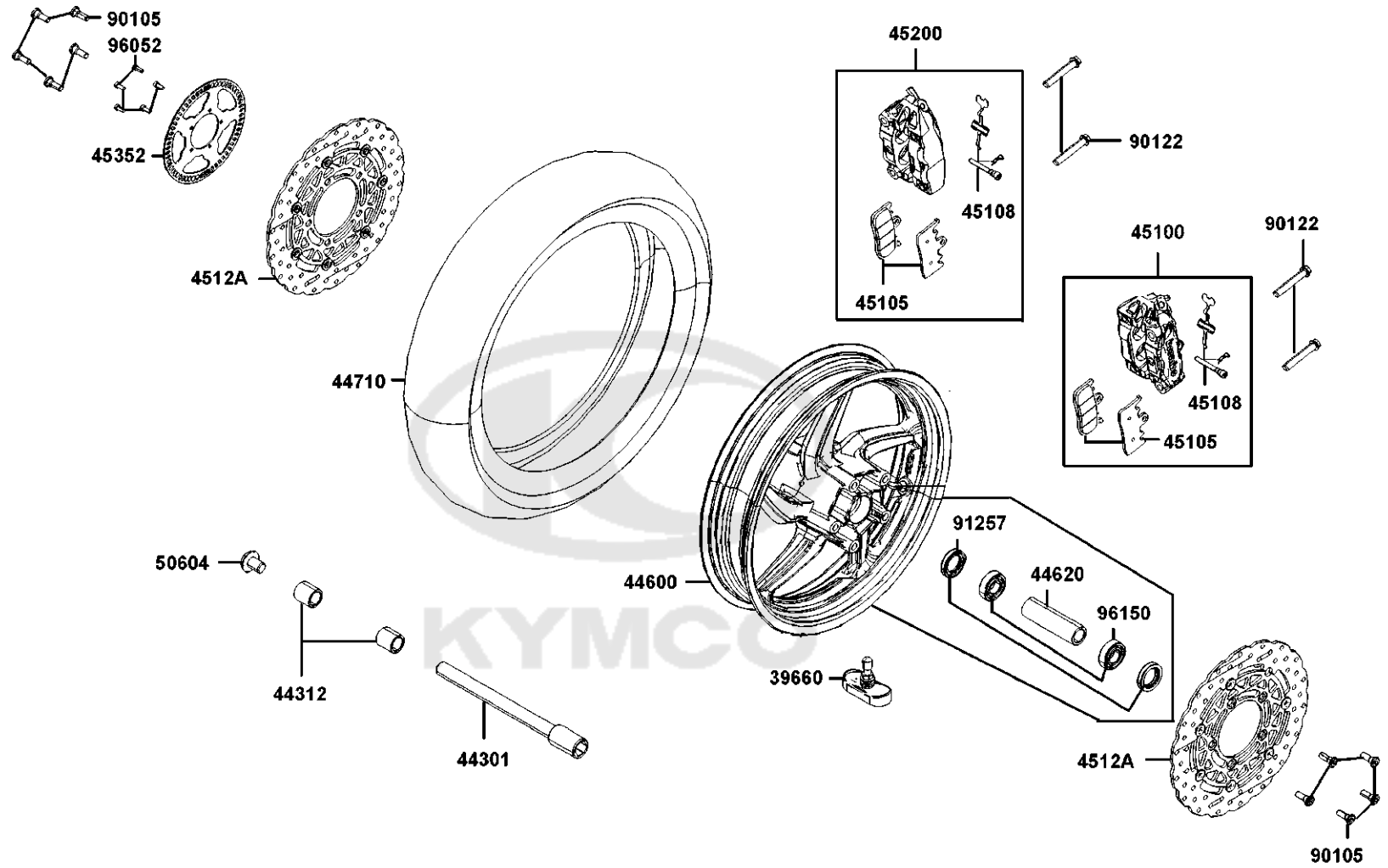
Front Cushion



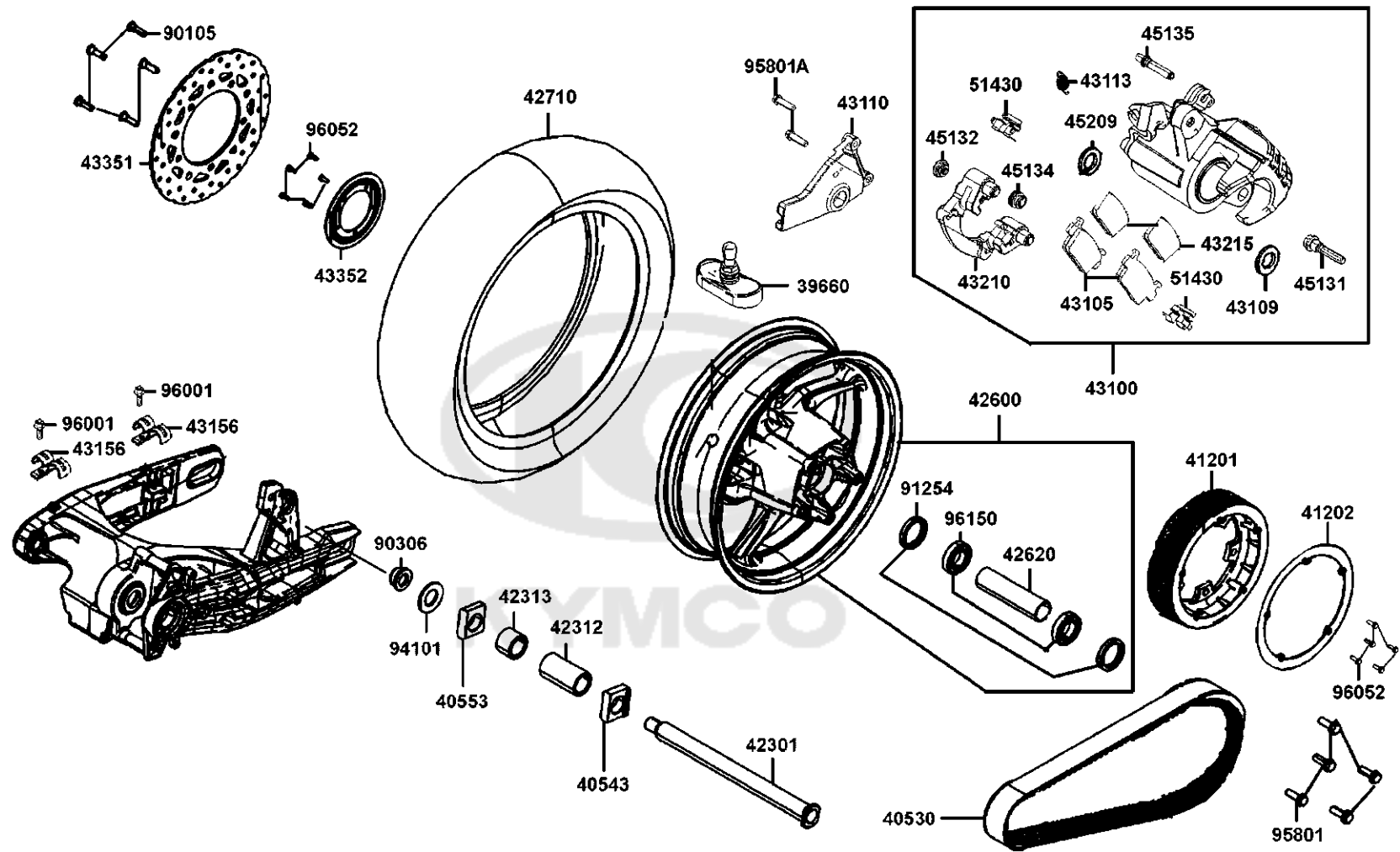
Sales mark	Ref no	Part no	Description	Reg description	Regd no	F06
83551		83551-KEC8-900	GROMMET COVER	GROMMET COVER	2	
90107		90107-LEA7-E00	BOLT SPECIAL 8MM	BOLT SPECIAL 8MM	4	
90304		90304-KKE5-E00	NUT. STRG. STEM	NUT. STRG. STEM	1	
90305		90305-LBA2-E00	NUT CLIP 6 MM (G)	NUT CLIP 6 MM (G)	2	
90312		90312-LLJ3-E00	COLLAR WIND SCREEN	COLLAR WIND SCREEN	4	
90503		90503-0A51-870	WASHER STEERING STEM NUT	WASHER STEERING STEM NUT	1	
90503		90503-KKE5-E00	WASHER STEERING STEM NUT	WASHER STEERING STEM NUT	1	
90503A		90503-LEA7-E00	WASHER STRG STEM NUT	WASHER STRG STEM NUT	1	
93903		93903-24360	SCREW TAPPING 4*12	SCREW TAPPING 4*12	4	
94050		94050-06060	NUT FLANGE 6MM	NUT FLANGE 6MM	2	
95701		95701-06040-06	BOLT FLANGE 6*40	BOLT FLANGE 6*40	2	
95701A		95701-08016-06	BOLT FLANGE 8*16	BOLT FLANGE 8*16	2	
96600		96600-08025-06	SOCKET BOLT 8X25	SOCKET BOLT 8X25	2	
96600A		96600-08035-06	SOCKET BOLT 8X35	SOCKET BOLT 8X35	4	
96700		96700-KED9-900	SOCKET BOLT 8*30 (G)	SOCKET BOLT 8*30 (G)	2	

F07

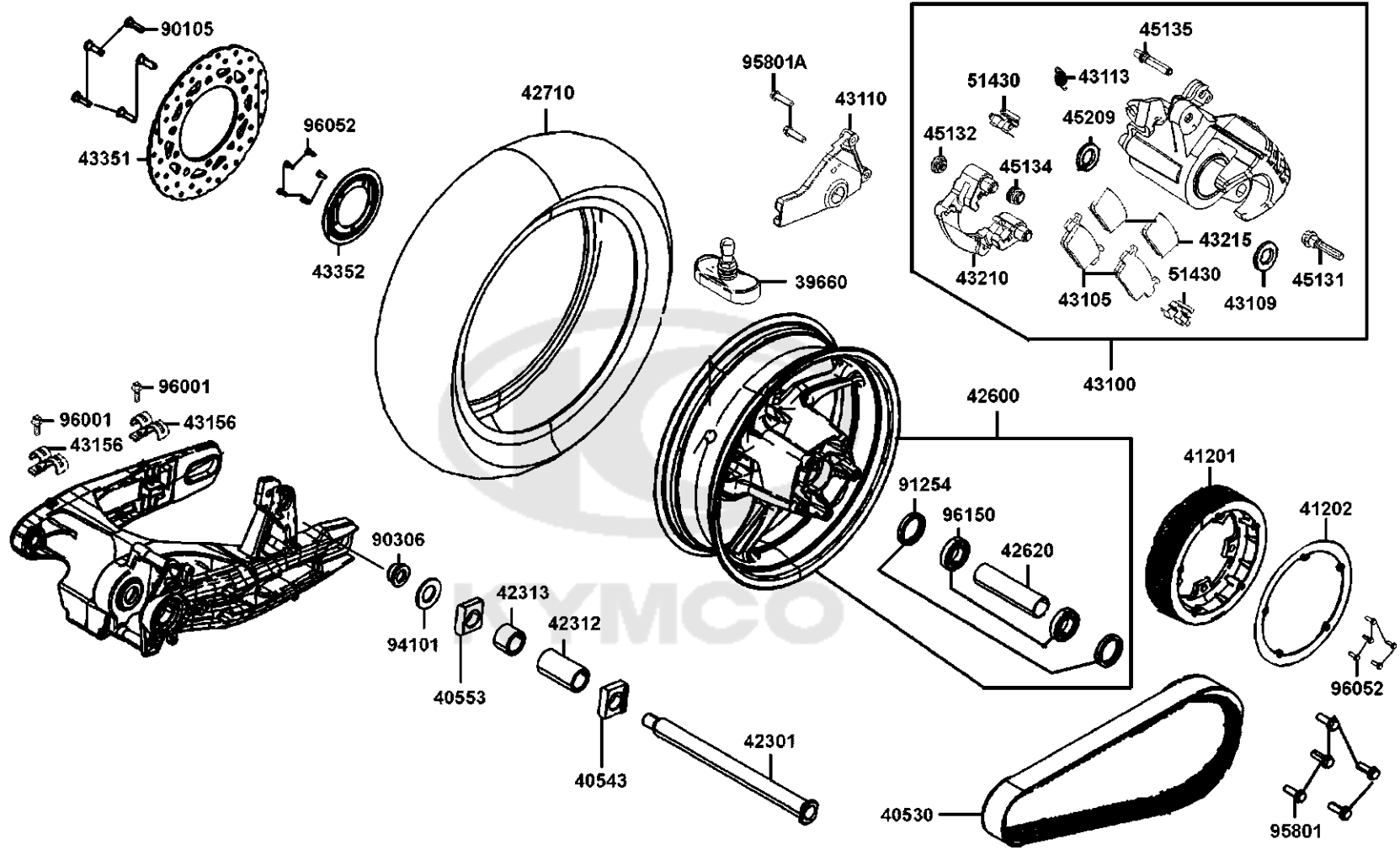
Front Wheel



Sales mark	Ref no	Part no	Description	Reg description	Regd no	F07
	39660	39660-LGC6-E00	SENSOR. TIRE PRESURE	SENSOR. TIRE PRESURE	1	
	44301	44301-LGC6-E00	AXLE FE WHEEL	AXLE FE WHEEL	1	
	44312	44312-LBA2-E00	COLLAR FR WHEEL SIDE L	COLLAR FR WHEEL SIDE L	2	
**	44600	44600-LGC6-305	WHEEL ASSY FR	WHEEL ASSY FR	1	
	44620	44620-LGC6-E00	COLLAR FR WHEEL DIST	COLLAR FR WHEEL DIST	1	
	44710	44710-LGC6-E00	TIRE ASSY FR (120/70 R15 56H)	TIRE ASSY FR (120/70 R15 56H)	1	
**	45100	45100-LGC6-E00	CALIPER ASSY FR L	CALIPER ASSY FR L	1	
	45105	45105-LGC6-305	PAD SET	PAD SET	2	
	45108	45108-LGC6-305	PAD SPRING SET	PAD SPRING SET	2	
	4512A	4512A-LGC6-E00	DISK COMP FR BRAKE	DISK COMP FR BRAKE	2	
	4512A	4512A-LGC6-E01	DISK ASSY FR BRAKE	DISK ASSY FR BRAKE	2	
**	45200	45200-LGC6-E00	CALIPER ASSY FR R	CALIPER ASSY FR R	1	
	45352	45352-LKF5-E00	TOOTHED RING. SENSOR	TOOTHED RING. SENSOR	1	
	50604	50604-LGC6-E00	BOLT GR AXLE	BOLT GR AXLE	1	
	90105	90105-KCR3-001	BOLT FR DISK 8X24	BOLT FR DISK 8X24	10	
	90122	90122-LKF5-E00	BOLT FLANGE 10*58	BOLT FLANGE 10*58	4	
	91257	91257-KED9-900	DUST SEAL 28*42*8	DUST SEAL 28*42*8	2	
	96052	96052-PRA1-E00	BOLT M5*16	BOLT M5*16	5	
	96150	96150-60040-10	BEARING BALL RADIAL 6004	BEARING BALL RADIAL 6004	2	



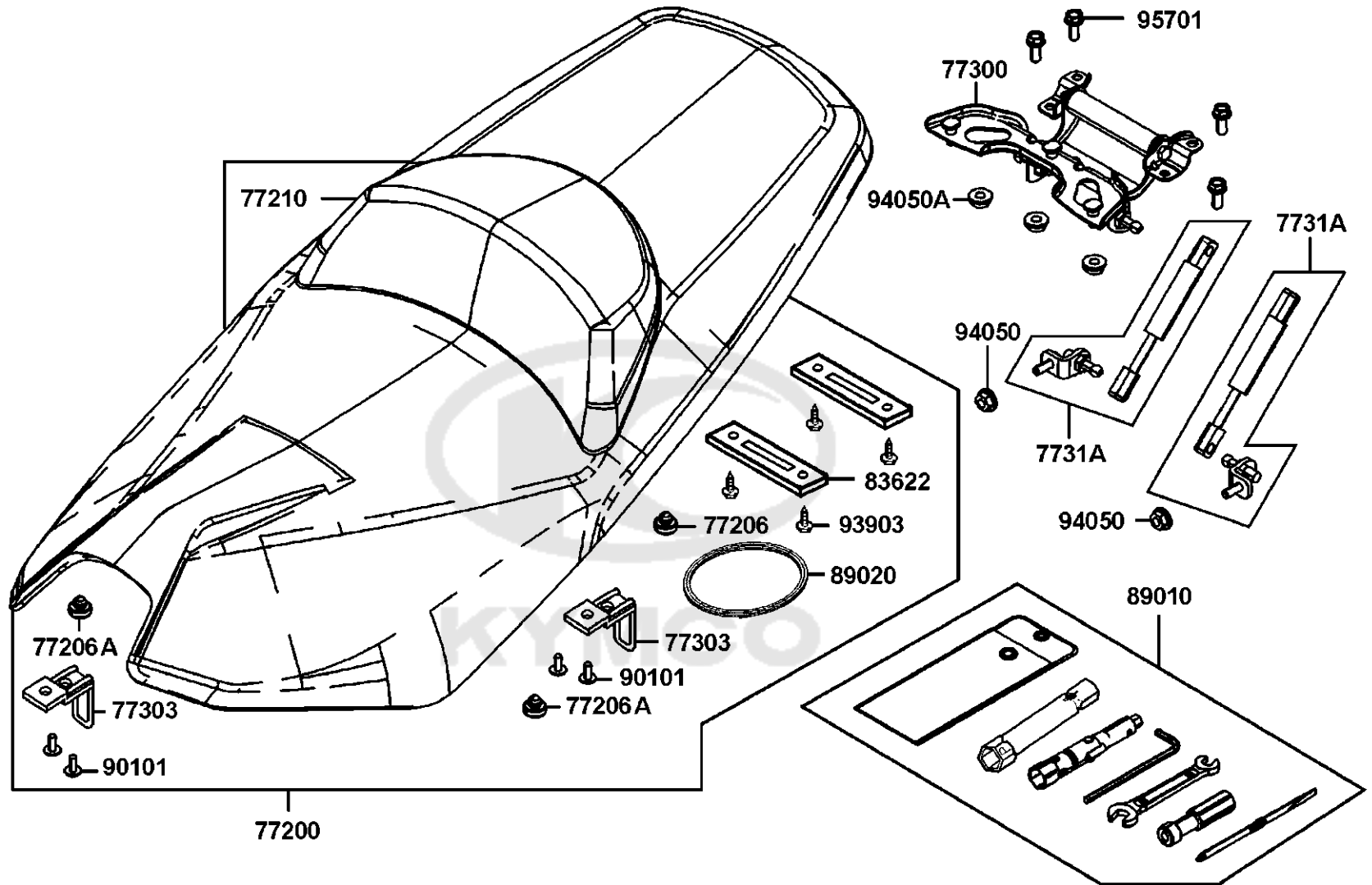
Sales mark	Ref no	Part no	Description	Reg description	Regd no	F08
	39660	39660-LGC6-E00	SENSOR. TIRE PRESURE	SENSOR. TIRE PRESURE	1	
	40530	40530-LGC6-E00	TIMING BELT	TIMING BELT	1	
	40543	40543-LGC6-E00	ADJUSTER L/H BELT	ADJUSTER L/H BELT	1	
	40553	40553-LGC6-E00	ADJUSTER R/H BELT	ADJUSTER R/H BELT	1	
**	41201	41201-LGC6-E00	SPROCKET DRIVEN	SPROCKET DRIVEN	1	
	41202	41202-LGC6-E00	PLATE FINAL DRIVE	PLATE FINAL DRIVE	1	
	42301	42301-LGC6-E00	AXLE RR WHEEL	AXLE RR WHEEL	1	
	42312	42312-LGC6-E00	COLLAR RR WHEEL SIDE A	COLLAR RR WHEEL SIDE A	1	
	42313	42313-LGC6-E00	COLLAR RR WHEEL SIDE B	COLLAR RR WHEEL SIDE B	1	
**	42600	42600-LGC6-305	WHEEL SET RR	WHEEL SET RR	1	
	42620	42620-LGC6-E00	COLLAR RR WHEEL DIST	COLLAR RR WHEEL DIST	1	
	42710	42710-LGC6-E00	TIRE ASSY RR (160/60 R15 67H ~	TIRE ASSY RR (160/60 R15 67H ~ Metzeler)	1	
**	43100	43100-LGC6-E00	CALIPER ASSY RR	CALIPER ASSY RR	1	
**	43100	43100-LGC6-E01	CALIPER ASSY RR	CALIPER ASSY RR	1	
	43105	43105-LGC6-305	PAD SET	PAD SET	1	
	43109	43109-LGC6-E00	DUST SEAL	DUST SEAL	1	
**	43110	43110-LGC6-E00	HOLDER RR CALIPER	HOLDER RR CALIPER	1	
	43113	43113-LBA2-E00	SPRING BRAKE ARM	SPRING BRAKE ARM	1	
	43156	43156-LGC6-E00	CLAMPER RR BRK HOSE	CLAMPER RR BRK HOSE	2	
**	43210	43210-LGC6-305	BRACKET ASSY RR	BRACKET ASSY RR	1	



Sales mark	Ref no	Part no	Description	Reg description	Regd no	F08
43215		43215-LGC6-E00	SHIM PAD	SHIM PAD	2	
43351		43351-LGC6-E00	DISK RR BRAKE	DISK RR BRAKE	1	
43351		43351-LGC6-E01	DISK RR BRAKE	DISK RR BRAKE	1	
43352		43352-LGC6-E00	TOOTHED RING RR SENSOR	TOOTHED RING RR SENSOR	1	
45131		45131-LDH1-E00	PIN BOLT	PIN BOLT	1	
45132		45132-LDH1-E00	BOOT	BOOT	1	
45134		45134-KED9-900	BOOT B	BOOT B	1	
45135		45135-KED9-900	PIN BOLT A	PIN BOLT A	1	
45209		45209-LGC6-E00	SEAL PISTON	SEAL PISTON	1	
51430		51430-ACD5-E00	SPRING PAD	SPRING PAD	2	
90105		90105-KCR3-001	BOLT FR DISK 8X24	BOLT FR DISK 8X24	5	
90306		90306-LBA2-900	NUT U 20MM	NUT U 20MM	1	
91254		91254-LGC6-E00	OIL SEAL 40X52X8	OIL SEAL 40X52X8	2	
94101		94101-LGC6-E00	WASHER PLAIN 20.5X38X3(B)	WASHER PLAIN 20.5X38X3(B)	1	
95801		95801-10030-06	BOLT FLANGE 10*30	BOLT FLANGE 10*30	5	
95801A		95801-LEA1-900	BOLT FLANGE 10*35	BOLT FLANGE 10*35	2	
96001		96001-06012-06	BOLT FLANGE SH 6X12	BOLT FLANGE SH 6X12	2	
96052		96052-PRA1-E00	BOLT M5*16	BOLT M5*16	10	
96150		96150-LGC6-E00	BRG. BALL RADIAL 60/28 LLU CGMU9V8	BRG. BALL RADIAL 60/28 LLU CGMU9V8	1	

F09

Seat

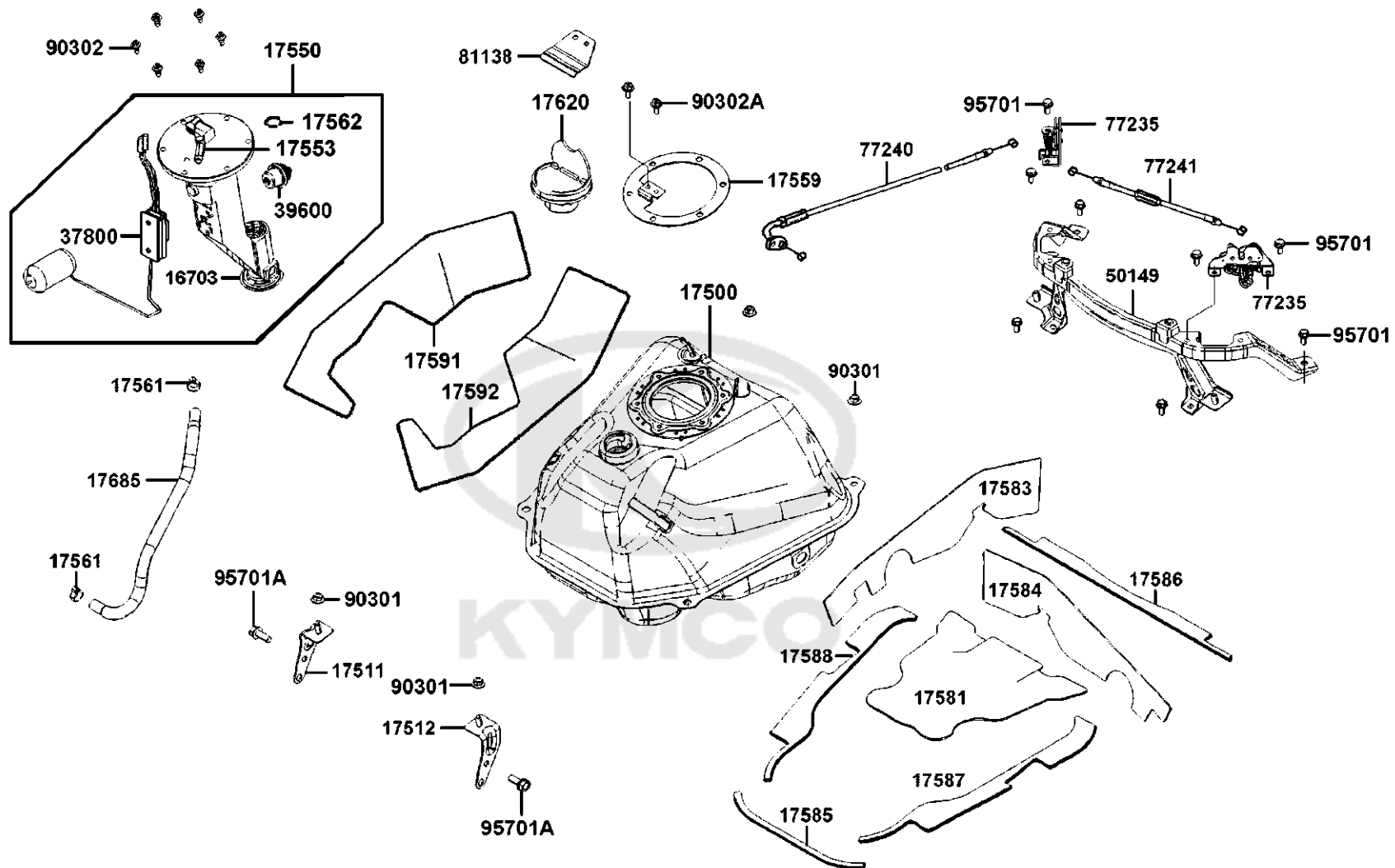


Sales mark	Ref no	Part no	Description	Reg description	Regd no	F09
**	77200	77200-LGC6-309	SEAT ASSY (REACH)	SEAT ASSY (REACH)	1	
	77206	77206-KGBG-900	RUBBER SEAT CUSH	RUBBER SEAT CUSH	3	
	77206A	77206-LKB9-900	RUBBER SEAT CUSH	RUBBER SEAT CUSH	2	
	77210	77210-LGC6-E00	BACK SEAT ASSY (REACH)	BACK SEAT ASSY (REACH)	1	
	77300	77300-LGC6-E00	HINGE ASSY SEAT	HINGE ASSY SEAT	1	
	77303	77303-LHJ8-900	HOOK SEAT LOCK	HOOK SEAT LOCK	2	
	7731A	7731A-LGC6-E00	STAY ASSY DAMPER	STAY ASSY DAMPER	2	
	83622	83622-KED9-900	STAY BAND	STAY BAND	2	
	89010	89010-LGC6-E00	TOOL SET	TOOL SET	1	
	89020	89020-KKC4-900	BAND TOOL SET	BAND TOOL SET	1	
	90101	90101-KGC4-E00	SCREW SPECIAL 6*15	SCREW SPECIAL 6*15	4	
	93903	93903-34360	SCREW TAPPING 4*12	SCREW TAPPING 4*12	4	
	94050	94050-06060	NUT FLANGE 6MM	NUT FLANGE 6MM	2	
	94050A	94050-06080	NUT FLANGE 6MM	NUT FLANGE 6MM	3	
	95701	95701-08016-06	BOLT FLANGE 8*16	BOLT FLANGE 8*16	4	

Sales mark	Ref no	Part no	Description	Reg description	Regd no	F10
16703		16703-LHJ8-800	FUEL FILTER ASSY	FUEL FILTER ASSY	1	
17500		17500-LGC6-E00	TANK COMP FUEL	TANK COMP FUEL	1	
17511		17511-LGC6-E00	STAY R FUEL TANK	STAY R FUEL TANK	1	
17512		17512-LGC6-E00	STAY L FUEL TANK	STAY L FUEL TANK	1	
17550		17550-LGC6-E00	PUMP ASS'Y FUEL	PUMP ASS'Y FUEL	1	
17553		17553-LGC6-E00	JOINT	JOINT	1	
17559		17559-LGC6-E00	STAY FUEL CAP CATCH	STAY FUEL CAP CATCH	1	
17561		17561-LKB9-900	CLIP 12.5	CLIP 12.5	2	
17562		17562-LGC6-E00	O RING	O RING	1	
17581		17581-LGC6-E00	HEAT GUARD FUEL TANK BOTTOM	HEAT GUARD FUEL TANK BOTTOM	1	
17583		17583-LGC6-E00	HEAT GUARD FUEL TANK R	HEAT GUARD FUEL TANK R	1	
17584		17584-LGC6-E00	HEAT GUARD FUEL TANK L	HEAT GUARD FUEL TANK L	1	
17585		17585-LGC6-E00	HEAT GUARD D FUEL TANK SIDE	HEAT GUARD D FUEL TANK SIDE	1	
17586		17586-LGC6-E00	HEAT GUARD A FUEL TANK SIDE	HEAT GUARD A FUEL TANK SIDE	1	
17587		17587-LGC6-E00	HEAT GUARD B FUEL TANK SIDE	HEAT GUARD B FUEL TANK SIDE	1	
17588		17588-LGC6-E00	HEAT GUARD C FUEL TANK SIDE	HEAT GUARD C FUEL TANK SIDE	1	
17591		17591-LGC6-E00	HEAT GUARD R FUEL TANK TOPPER	HEAT GUARD R FUEL TANK TOPPER	1	
17592		17592-LGC6-E00	HEAT GUARD L FUEL TANK TOPPER	HEAT GUARD L FUEL TANK TOPPER	1	
17620		17620-LGC6-E00	CAP COMP FUEL FILLER	CAP COMP FUEL FILLER	1	
17685		17685-LGC6-E00	TUBE FUEL PUMP	TUBE FUEL PUMP	1	

F10

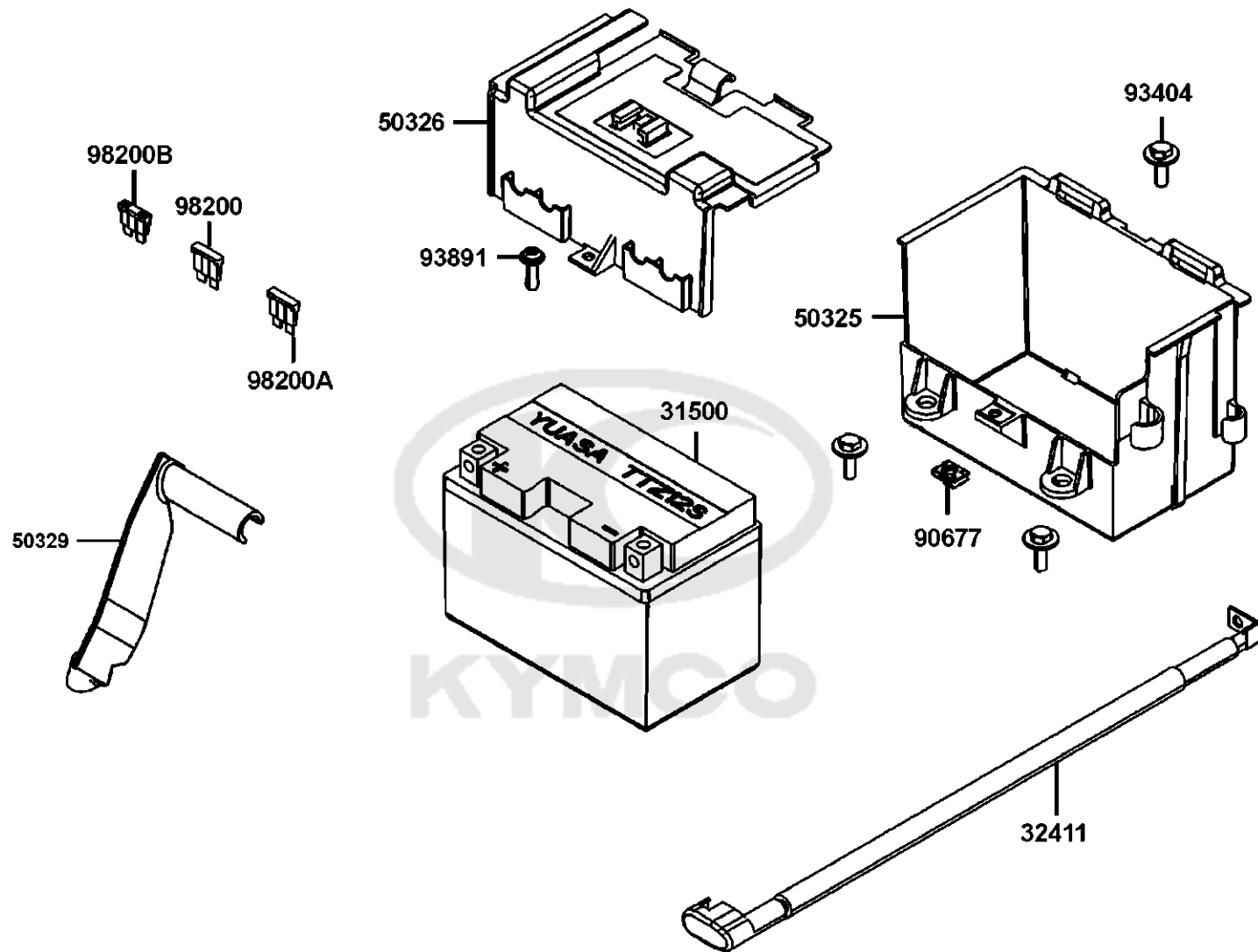
Fuel Tank



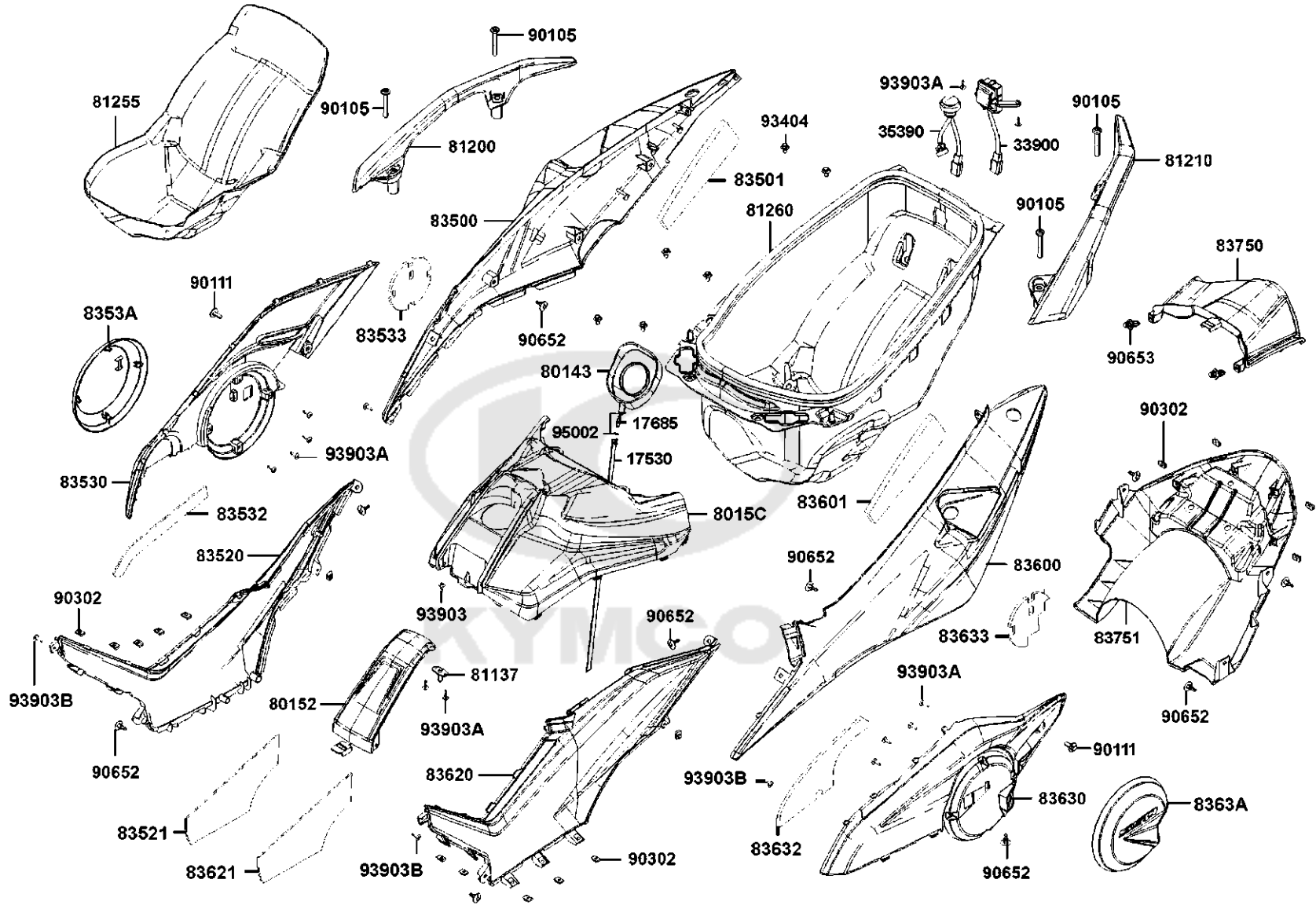
Sales mark	Ref no	Part no	Description	Reg description	Regd no	F10
37800		37800-LGC6-E00	FUEL UNIT	FUEL UNIT	1	
39600		39600-ACH6-900	REGULATOR FUEL	REGULATOR FUEL	1	
50149		50149-LGC6-E00	STAY SEAT CATCH	STAY SEAT CATCH	1	
77235		77235-LGC6-E00	CATCH COMP.SEAT	CATCH COMP.SEAT	2	
77240		77240-LGC6-E00	CABLE ASSY.. SEAT LOCK	CABLE ASSY.. SEAT LOCK	1	
77241		77241-LGC6-E00	CABLE COMP. SEAT CATCH	CABLE COMP. SEAT CATCH	1	
81138		81138-LGC6-E00	SET LOCK	SET LOCK	1	
90301		90301-6D34-671	NUT FLANGE 6MM	NUT FLANGE 6MM	4	
90302		90302-GFY6-940	BOLT-WASH 5*16 (G)	BOLT-WASH 5*16 (G)	6	
90302A		90302-LLB1-E00	BOLT-WASH 5X12	BOLT-WASH 5X12	2	
95701		95701-06012-06	BOLT FLANGE 6X12	BOLT FLANGE 6X12	8	
95701A		95701-08016-06	BOLT FLANGE 8*16	BOLT FLANGE 8*16	2	

F11

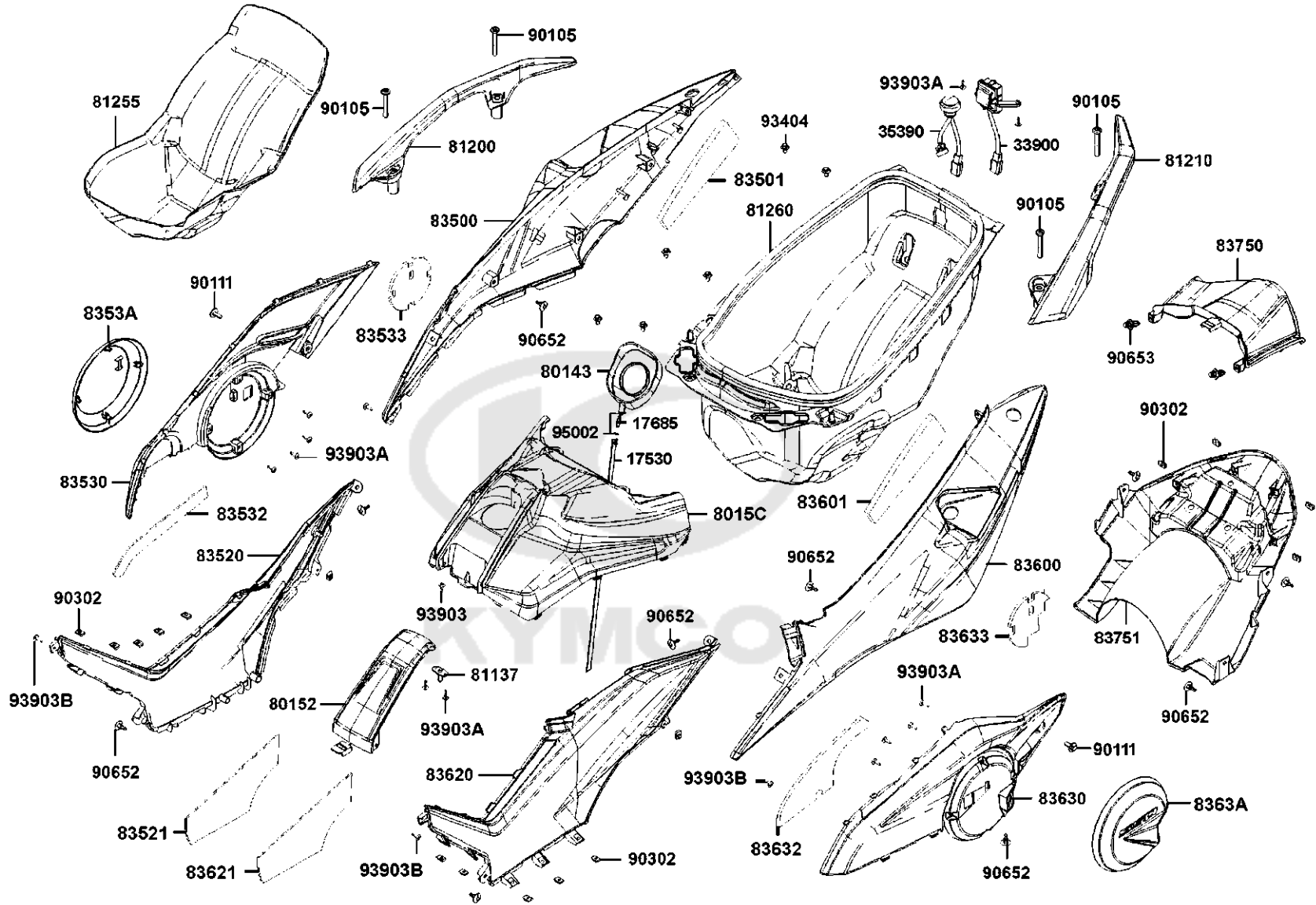
Battery



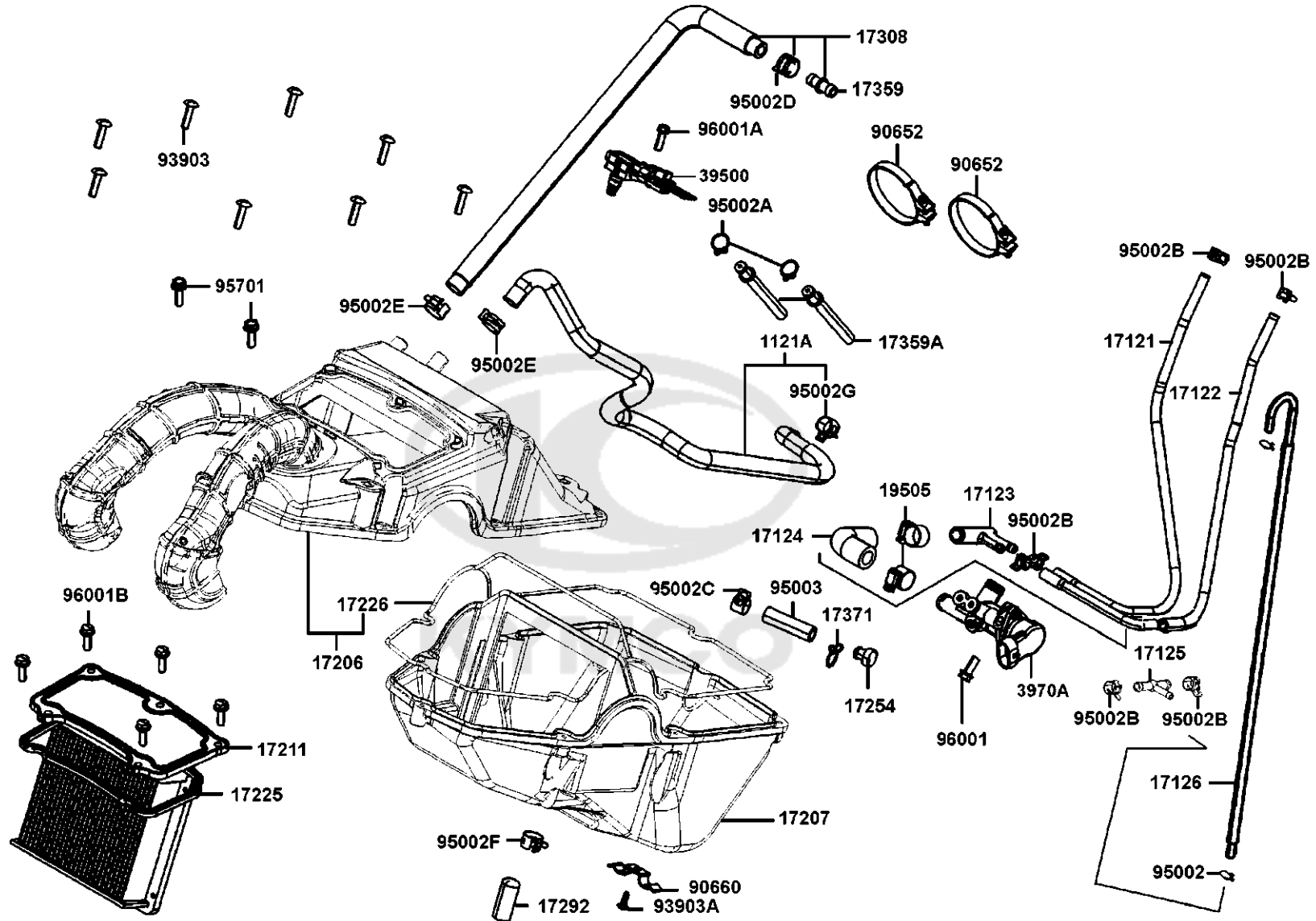
Sales mark	Ref no	Part no	Description	Reg description	Regd no	F11
	31500	31500-LGC6-E00	BATTERY TTZ12S	BATTERY TTZ12S	1	
	31500	31500-LGC6-E01	BATTERY TTZ14S	BATTERY TTZ14S	1	
	32411	32411-LGC6-E00	CABLE. BAT.	CABLE. BAT.	1	
**	50325	50325-LGC6-E00	CASE BATTERY	CASE BATTERY	1	
**	50326	50326-LGC6-E00	COVER BATTERY	COVER BATTERY	1	
**	50329	50329-LGC6-E00	PROTECTOR	PROTECTOR	1	
	90677	90677-GAR1-004	NUT CLIP 5MM	NUT CLIP 5MM	1	
	93404	93404-06016-06	BOLT WASHER 6X16	BOLT WASHER 6X16	3	
	93891	93891-05012-06	SCREW WASHER 5*12	SCREW WASHER 5*12	1	
	98200	98200-31000	FUSE A10	FUSE A10	1	
	98200A	98200-31500	FUSE A15	FUSE A15	1	
	98200B	98200-33000	BLADE FUSE 30A	BLADE FUSE 30A	1	



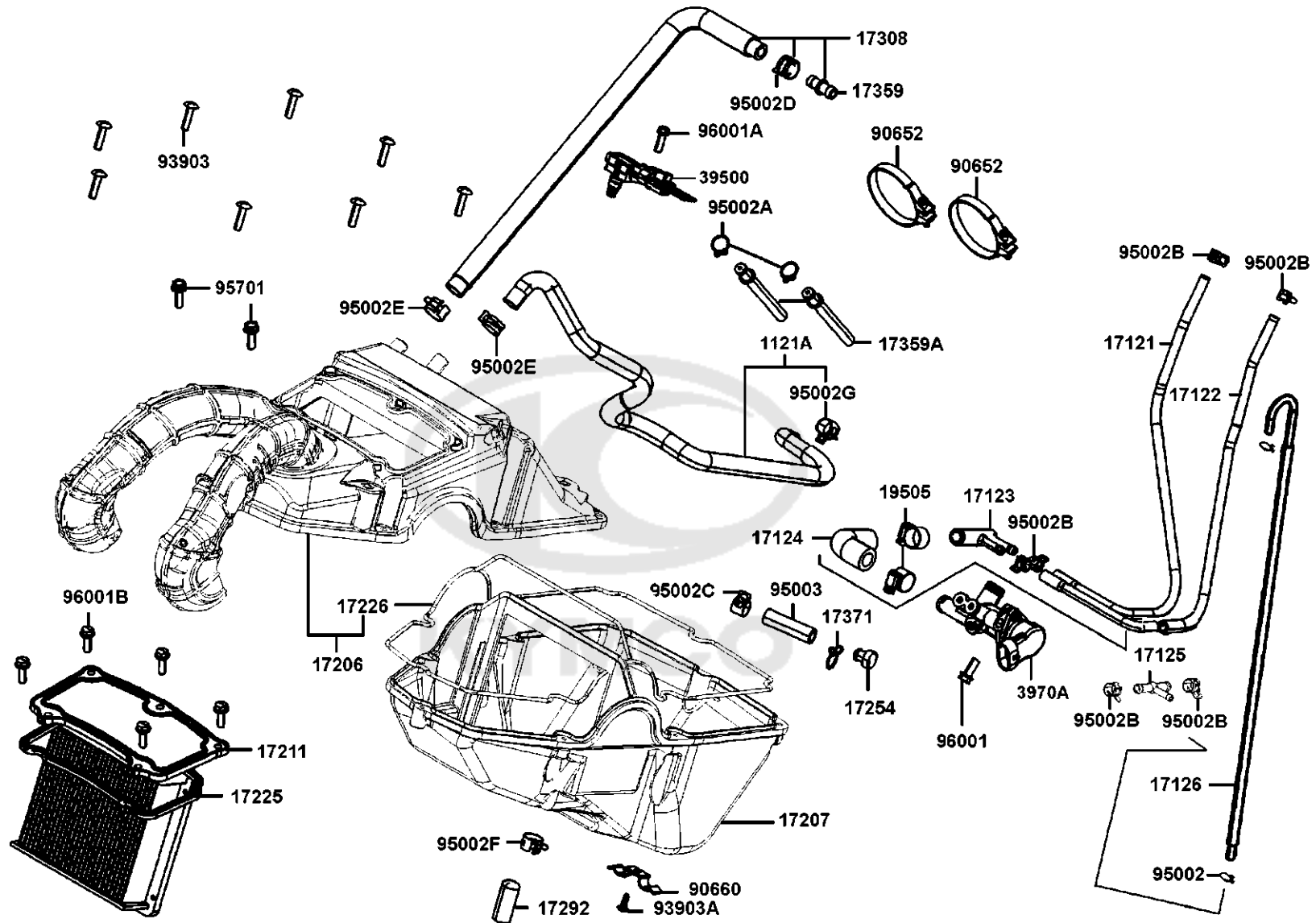
Sales mark	Ref no	Part no	Description	Reg description	Regd no	F12
	17530	17530-KGB5-900	TUBE ASSY DRAIN	TUBE ASSY DRAIN	1	
	17685	17685-KZCZ-900	JOINT TUBE	JOINT TUBE	1	
	33900	33900-LGC6-E00	LIGHT ASSY LUGGAGE BOX	LIGHT ASSY LUGGAGE BOX	1	
	35390	35390-LHG7-E00	SENSOR LUGGAGE BOX LIGHT	SENSOR LUGGAGE BOX LIGHT	1	
	80143	80143-LGC6-E00	RUBBER FUEL CAP	RUBBER FUEL CAP	1	
**	80152	80152-LGC6-E00	LID FUEL CAP MAINT	LID FUEL CAP MAINT	1	
**	8015C	8015C-LGC6-E00	COVER B ASSY.CENTER	COVER B ASSY.CENTER	1	
	81137	81137-LGC6-E00	HOOK FUEL COVER	HOOK FUEL COVER	1	
**	81200	81200-LGC6-E00	CARRIER R REAR	CARRIER R REAR	1	
**	81210	81210-LGC6-E00	CARRIER L REAR	CARRIER L REAR	1	
	81255	81255-LGC6-E00	PAD LUGGAGE	PAD LUGGAGE	1	
	81260	81260-LGC6-E00	BOX ASSY.LUGGAGE	BOX ASSY.LUGGAGE	1	
**	83500	83500-LGC6-E00	COVER R BODY	COVER R BODY	1	
	83501	83501-LGC6-E00	SPONGE R BODY COVER	SPONGE R BODY COVER	1	
**	83520	83520-LGC6-E00	BOARD A R SIDE	BOARD A R SIDE	1	
	83521	83521-LGC6-E00	SPONGE BOARD A R SIDE	SPONGE BOARD A R SIDE	1	
**	83530	83530-LGC6-E00	BOARD B R SIDE	BOARD B R SIDE	1	
	83532	83532-LGC6-E00	SPONGE A BOARD B R SIDE	SPONGE A BOARD B R SIDE	1	
	83533	83533-LGC6-E00	SPONGE B BOARD B R SIDE	SPONGE B BOARD B R SIDE	1	
**	8353A	8353A-LGC6-E00	GRILLE ASSY R BOARD	GRILLE ASSY R BOARD	1	



Sales mark	Ref no	Part no	Description	Reg description	Regd no	F12
**	83600	83600-LGC6-E00	COVER L SIDE	COVER L SIDE	1	
	83601	83601-LGC6-E00	SPONGE L BODY COVER	SPONGE L BODY COVER	1	
**	83620	83620-LGC6-E00	BOARD A L SIDE	BOARD A L SIDE	1	
	83621	83621-LGC6-E00	SPONGE BOARD A L SIDE	SPONGE BOARD A L SIDE	1	
**	83630	83630-LGC6-E00	BOARD B L SIDE	BOARD B L SIDE	1	
	83632	83632-LGC6-E00	SPONGE A BOARD B L SIDE	SPONGE A BOARD B L SIDE	1	
	83633	83633-LGC6-E00	SPONGE B BOARD B L SIDE	SPONGE B BOARD B L SIDE	1	
**	8363A	8363A-LGC6-E00	GRILLE ASSY L BOARD	GRILLE ASSY L BOARD	1	
**	83750	83750-LGC6-E00	COVER B RR CENTER	COVER B RR CENTER	1	
**	83751	83751-LGC6-E00	COVER B.RR CENTER	COVER B.RR CENTER	1	
	90105	90105-LGC6-E00	BOLT-WASH 8MM	BOLT-WASH 8MM	4	
	90111	90111-LGC6-E01	SCREW PAN 6X14	SCREW PAN 6X14	2	
	90302	90302-SDA4-004	NUT SPRING 4MM(C)	NUT SPRING 4MM(C)	12	
	90652	90652-LCA4-E00	CLIP MUDGUARD	CLIP MUDGUARD	10	
	90653	90653-LKB9-900	CLIP MUDGUARD	CLIP MUDGUARD	2	
	93404	93404-06012-06	BOLT WASHER 6X12	BOLT WASHER 6X12	6	
	93903	93903-14460	SCREW TAPPING 4*16	SCREW TAPPING 4*16	1	
	93903A	93903-24360	SCREW TAPPING 4*12	SCREW TAPPING 4*12	12	
	93903B	93903-GFY6-900	SCREW TAPPING 4*14	SCREW TAPPING 4*14	4	
	95002	95002-02080	CLIP B8 TUBE	CLIP B8 TUBE	2	



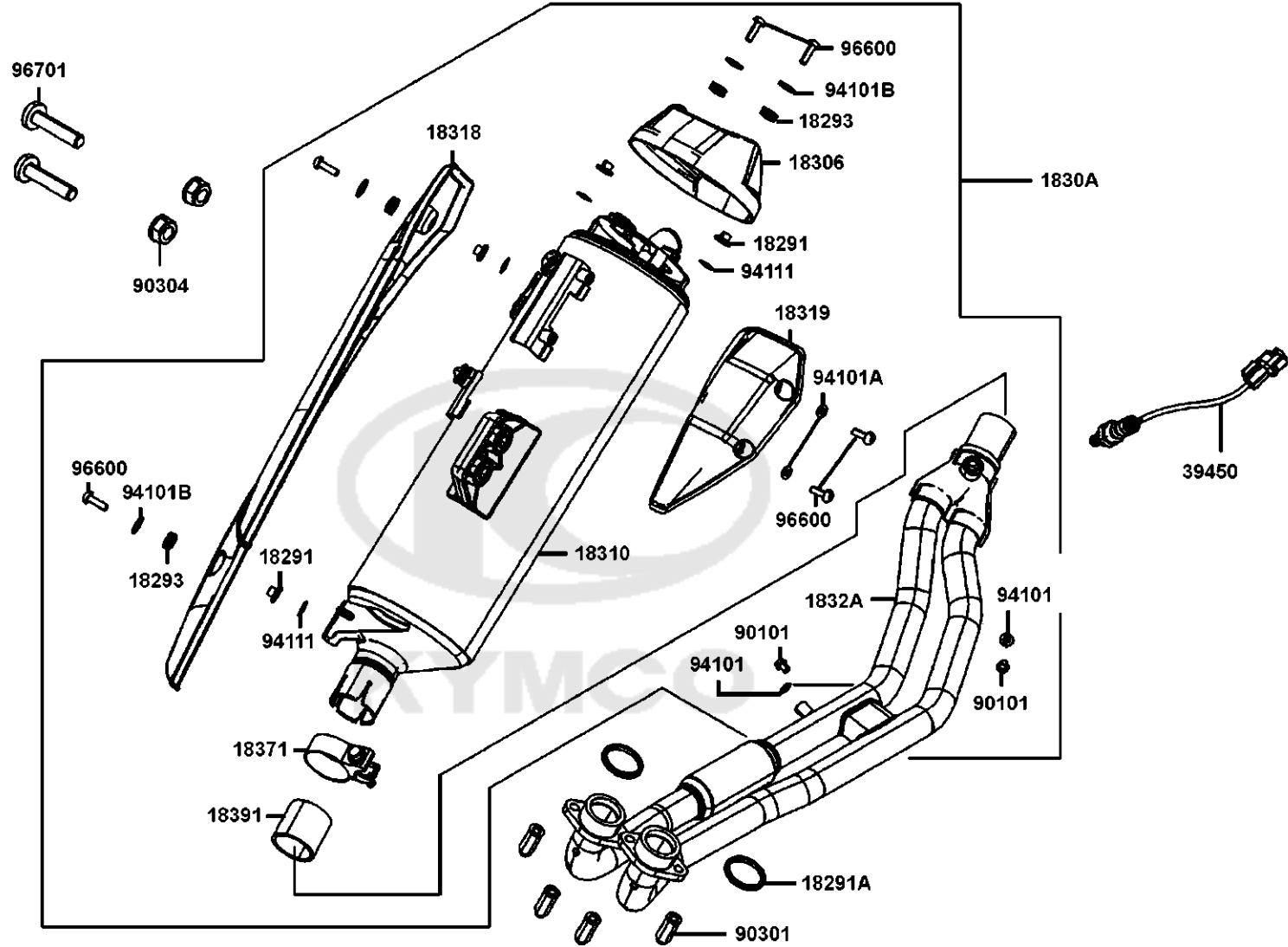
Sales mark	Ref no	Part no	Description	Reg description	Regd no	F13
1121A		1121A-LGC6-E00	TUBE ASSY BREATHER	TUBE ASSY BREATHER	1	
17121		17121-LGC6-E00	TUBE A ISC AIR	TUBE A ISC AIR	1	
17122		17122-LGC6-E00	TUBE B ISC AIR	TUBE B ISC AIR	1	
17123		17123-LGC6-E00	JOINT 3 WAY	JOINT 3 WAY	1	
17124		17124-LGC6-E00	TUBE ISC TO 3 WAY	TUBE ISC TO 3 WAY	1	
17125		17125-LGC6-E00	JOINT 3 WAY	JOINT 3 WAY	1	
17126		17126-LGC6-E00	TUBE C ISC AIR	TUBE C ISC AIR	1	
17206		17206-LGC6-305	CASE. AIR/C	CASE. AIR/C	1	
17207		17207-LGC6-E00	COVER. AIR/C	COVER. AIR/C	1	
17211		17211-LGC6-E00	ELEMENT COMP AIR/C	ELEMENT COMP AIR/C	1	
17225		17225-LGC6-E00	SEAL. AIR/C COVER	SEAL. AIR/C COVER	1	
17226		17226-LGC6-E00	SEAL. AIR/C CASE	SEAL. AIR/C CASE	1	
17254		17254-KACA-P00	PLUG AIR/C CONN TUBE	PLUG AIR/C CONN TUBE	1	
17292		17292-PWB1-900	PIPE DRAIN	PIPE DRAIN	1	
17308		17308-LGC6-E00	TUBE ASSY AIR/C	TUBE ASSY AIR/C	1	
17359		17359-4K19-671	JOINT BREATHER TUBE	JOINT BREATHER TUBE	1	
17359A		17359-LGC6-E00	JOINT. PURGE TUBE	JOINT. PURGE TUBE	2	
17371		17371-1D74-671	CLIP BREATHER TUBE	CLIP BREATHER TUBE	1	
19505		19505-LBC6-900	C-HOP 8M 12-22	C-HOP 8M 12-22	2	
39500		39500-AAC9-900	SENSOR T-MAP	SENSOR T-MAP	1	



Sales mark	Ref no	Part no	Description	Reg description	Regd no	F13
	3970A	3970A-LGC6-E00	BY-PASS VALVE ASSY.	BY-PASS VALVE ASSY.	1	
	90652	90652-KHE7-900	BAND CONNECTING TUBE	BAND CONNECTING TUBE	2	
	90660	90660-LGC6-E00	CLAMP TUBE	CLAMP TUBE	1	
	93903	93903-25460	SCREW TAPPING 5X20	SCREW TAPPING 5X20	8	
	93903A	93903-34360	SCREW TAPPING 4*12	SCREW TAPPING 4*12	1	
	95002	95002-02080	CLIP B8 TUBE	CLIP B8 TUBE	2	
	95002A	95002-02110	CLIP	CLIP	2	
	95002B	95002-40850-08G	CLAMP D8.5 TUBE	CLAMP D8.5 TUBE	6	
	95002C	95002-41100-08	CLIP D 11.0 TUBE	CLIP D 11.0 TUBE	1	
	95002D	95002-41250-00	CLIP D12.5 TUBE	CLIP D12.5 TUBE	1	
	95002E	95002-KED9-M30	CLAMP D14.8 TUBE	CLAMP D14.8 TUBE	1	
	95002F	95002-LHG8-E00	CLAMP.D14 TUBE	CLAMP.D14 TUBE	1	
	95002G	95002-LKF5-E00	CLAMP D14.6 TUBE	CLAMP D14.6 TUBE	1	
	95003	95003-23004-60	V TUBE 8*12*40	V TUBE 8*12*40	1	
	95701	95701-06020-06	BOLT FLANGE 6*20	BOLT FLANGE 6*20	2	
	96001	96001-06012-06	BOLT FLANGE SH 6X12	BOLT FLANGE SH 6X12	1	
	96001A	96001-06018-06	BOLT FLANGE SH 6X18	BOLT FLANGE SH 6X18	1	
	96001B	96001-LAB4-900	BOLT SPECIAL M5X16	BOLT SPECIAL M5X16	5	

F14

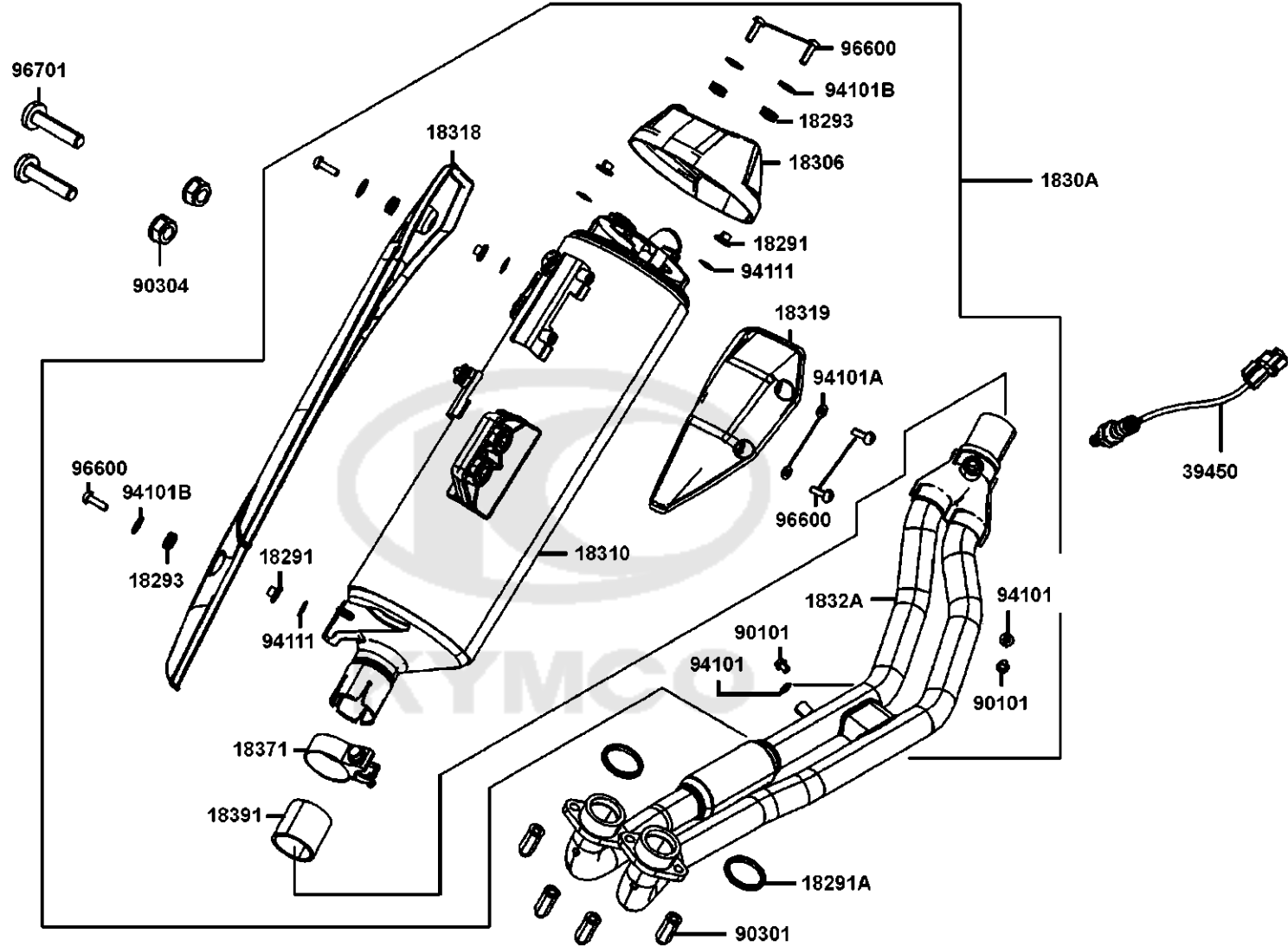
Exhaust Muffler



Sales mark	Ref no	Part no	Description	Reg description	Regd no	F14
	18291	18291-LKG2-90A	COLLAR	COLLAR	4	
	18291A	18291-PWB1-900	SEAL EXHAUST PIPE	SEAL EXHAUST PIPE	2	
	18293	18293-LHJ8-900	RUBBER PKG PROTR	RUBBER PKG PROTR	4	
**	18306	18306-LGC6-E00	TAIL CAP MUFFLER(NH263) (Silver	TAIL CAP MUFFLER(NH263) (Silver Crystal)	1	
**	1830A	1830A-LGC6-E00	MUFFLER ASSY.. EXHAUST	MUFFLER ASSY.. EXHAUST	1	
	18310	18310-LGC6-E00	MUFFLER COMP.	MUFFLER COMP.	1	
**	18318	18318-LGC6-E00	MUFF. PROTECTOR(NH263/NH273)	MUFF. PROTECTOR(NH263/NH273) (Silver	1	
**	18319	18319-LGC6-E00	COVER. SILENCER (NH263) (Silver	COVER. SILENCER (NH263) (Silver Crystal)	1	
	1832A	1832A-LGC6-E00	PIPE ASSY.. EXHAUST	PIPE ASSY.. EXHAUST	1	
	18371	18371-LBA2-E00	BAND MUFFLER	BAND MUFFLER	1	
	18391	18391-LBA2-E00	GASKET	GASKET	1	
	39450	39450-ZVA6-M00	O2 SENSOR	O2 SENSOR	1	
	90101	90101-LEA7-E00	BOLT FLANGE SH 6X8	BOLT FLANGE SH 6X8	2	
	90301	90301-GFY6-901	NUT (HEX) CAP 8MM(C)	NUT (HEX) CAP 8MM(C)	4	
	90304	90304-LGC6-E00	NUT M10X1.25(C)	NUT M10X1.25(C)	2	
	94101	94101-06200	WASHER PLAIN 6MM	WASHER PLAIN 6MM	2	
	94101A	94101-LDB5-E00	WASHER. PLAIN. 6mm	WASHER. PLAIN. 6mm	2	
	94101B	94101-LEA2-900	WASHER PLAIN 6.5*18*105	WASHER PLAIN 6.5*18*105	4	
	94111	94111-ACD5-E00	WASHER SPRING	WASHER SPRING	4	
	96600	96600-LEA7-E01	BOLT SPECIAL 6X20	BOLT SPECIAL 6X20	6	

F14

Exhaust Muffler



Sales mark	Ref no	Part no	Description	Reg description	Regd no	F14
------------	--------	---------	-------------	-----------------	---------	------------

96701

96701-LGC6-E00

SOCKET BOLT 10X45

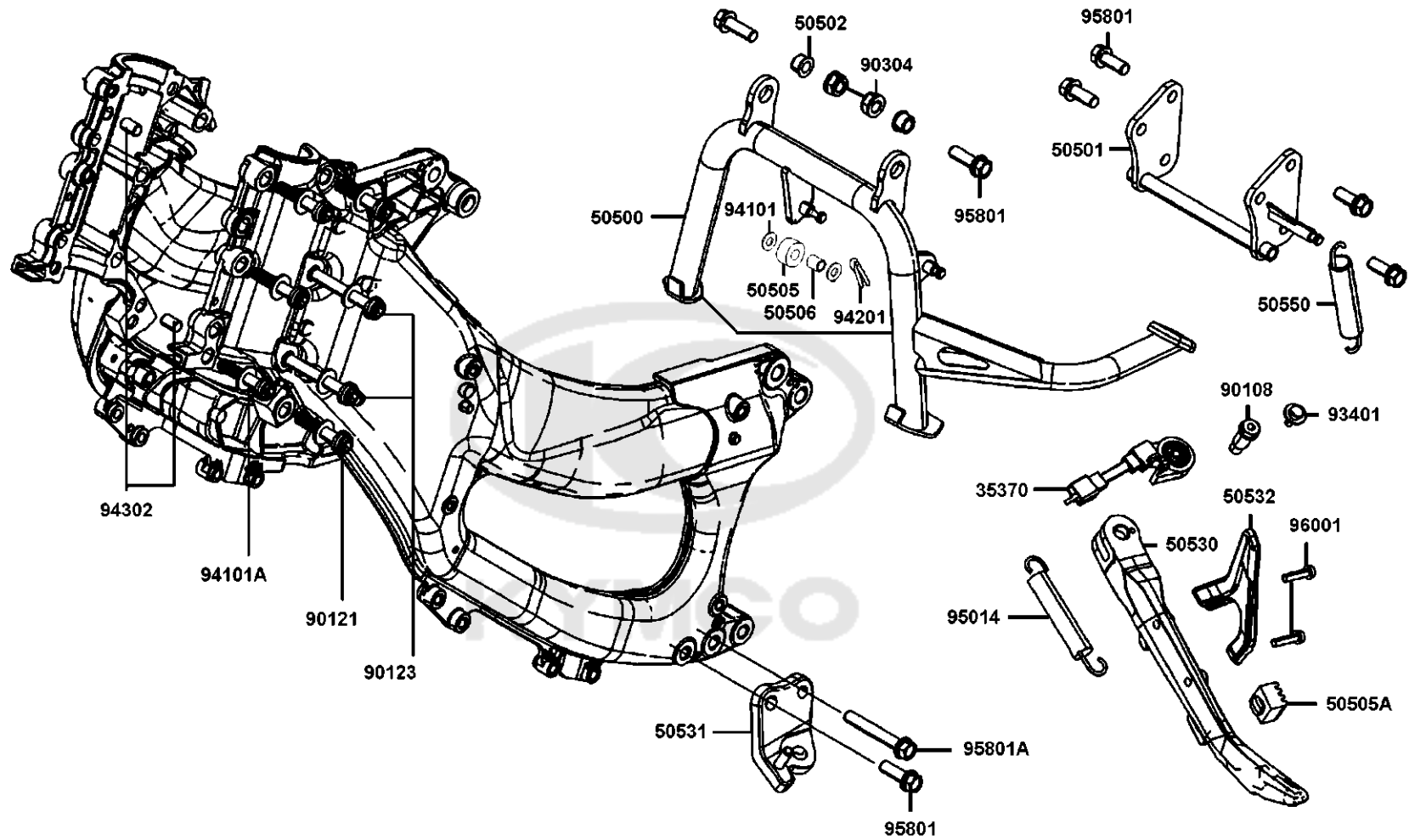
SOCKET BOLT 10X45

2



F15

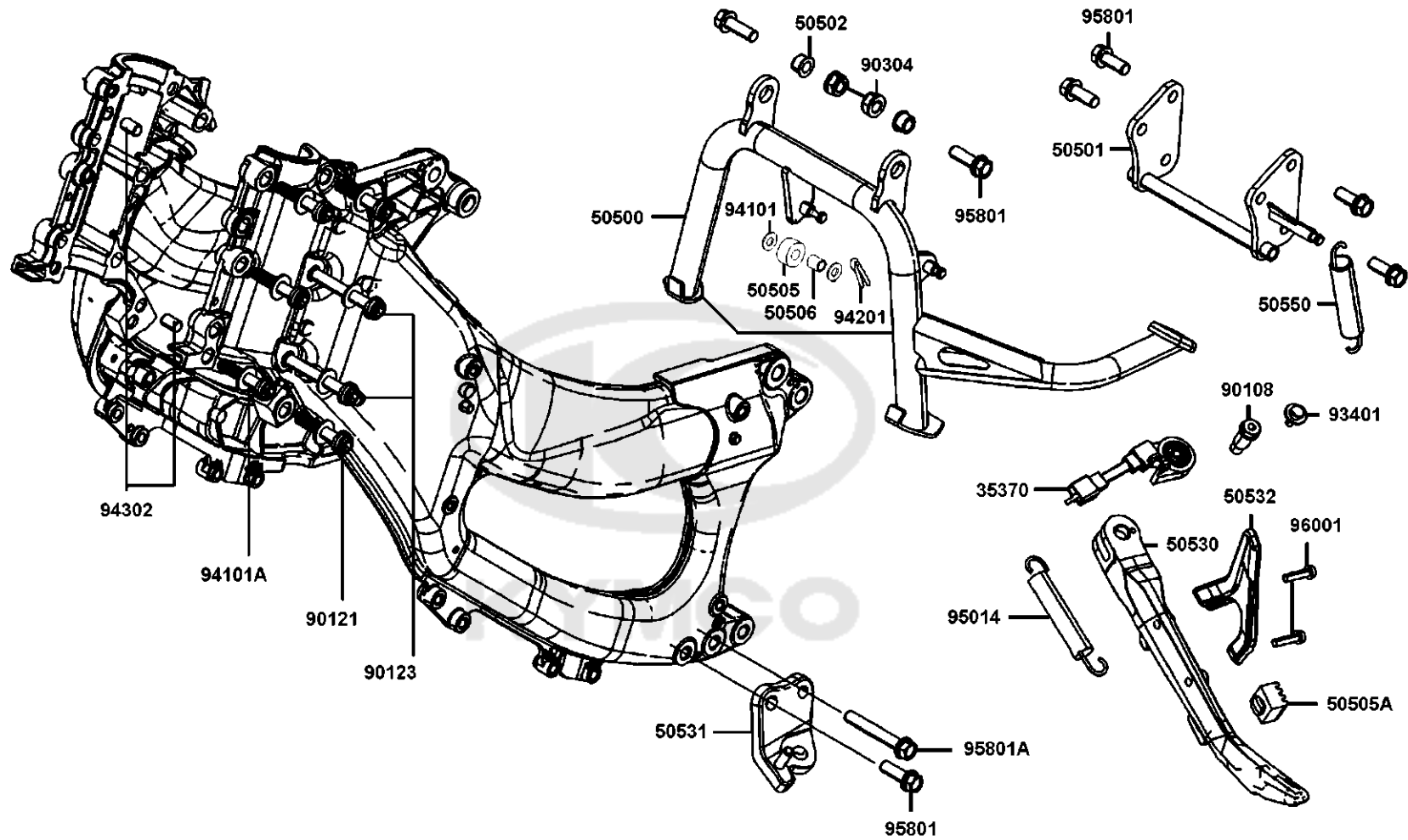
Fr Body FrameStand



Sales mark	Ref no	Part no	Description	Reg description	Regd no	F15
35370		35370-ZZA6-E00	SW UNIT SIDE STAND	SW UNIT SIDE STAND	1	
50500		50500-LGC6-E00	STAND COMP MAIN	STAND COMP MAIN	1	
50501		50501-LGC6-E00	BRKT MAIN STAND	BRKT MAIN STAND	1	
50502		50502-GFY6-901	COLLAR MAIN STAND	COLLAR MAIN STAND	2	
50505		50505-LEA7-E00	STOPPER RUBBER	STOPPER RUBBER	1	
50505A		50505-LKB9-900	RUBBER SIDE STAND	RUBBER SIDE STAND	1	
50506		50506-KHE7-E00	COLLAR STOPPER RUBBER	COLLAR STOPPER RUBBER	1	
50530		50530-LGC6-E00	STAND BAR SIDE	STAND BAR SIDE	1	
50531		50531-LGC6-E00	BRKT.SIDE STAND	BRKT.SIDE STAND	1	
50532		50532-LGC6-E00	KICK BAR SIDE STAND	KICK BAR SIDE STAND	1	
50550		50550-KKC2-E00	SPG ASSY MAIN STAND	SPG ASSY MAIN STAND	1	
90108		90108-LGC6-E00	SCREW SIDE STAND PIVOT	SCREW SIDE STAND PIVOT	1	
90121		90121-LGC6-E00	BOLT FLANGE 10X50	BOLT FLANGE 10X50	2	
90123		90123-LGC6-E00	BOLT FLANGE 10X95	BOLT FLANGE 10X95	2	
90304		90304-LEA1-900	NUT U 10MM	NUT U 10MM	2	
93401		93401-06020-07	BOLT WASHER 6*20	BOLT WASHER 6*20	1	
93404		93404-06016-06	BOLT WASHER 6X16	BOLT WASHER 6X16	1	
94101		94101-08600	WASHER PLAIN 8MM	WASHER PLAIN 8MM	2	
94101A		94101-10000	WASHER PLAIN 10MM	WASHER PLAIN 10MM	7	
94201		94201-20180	PIN SPLIT 2.0*18	PIN SPLIT 2.0*18	1	

F15

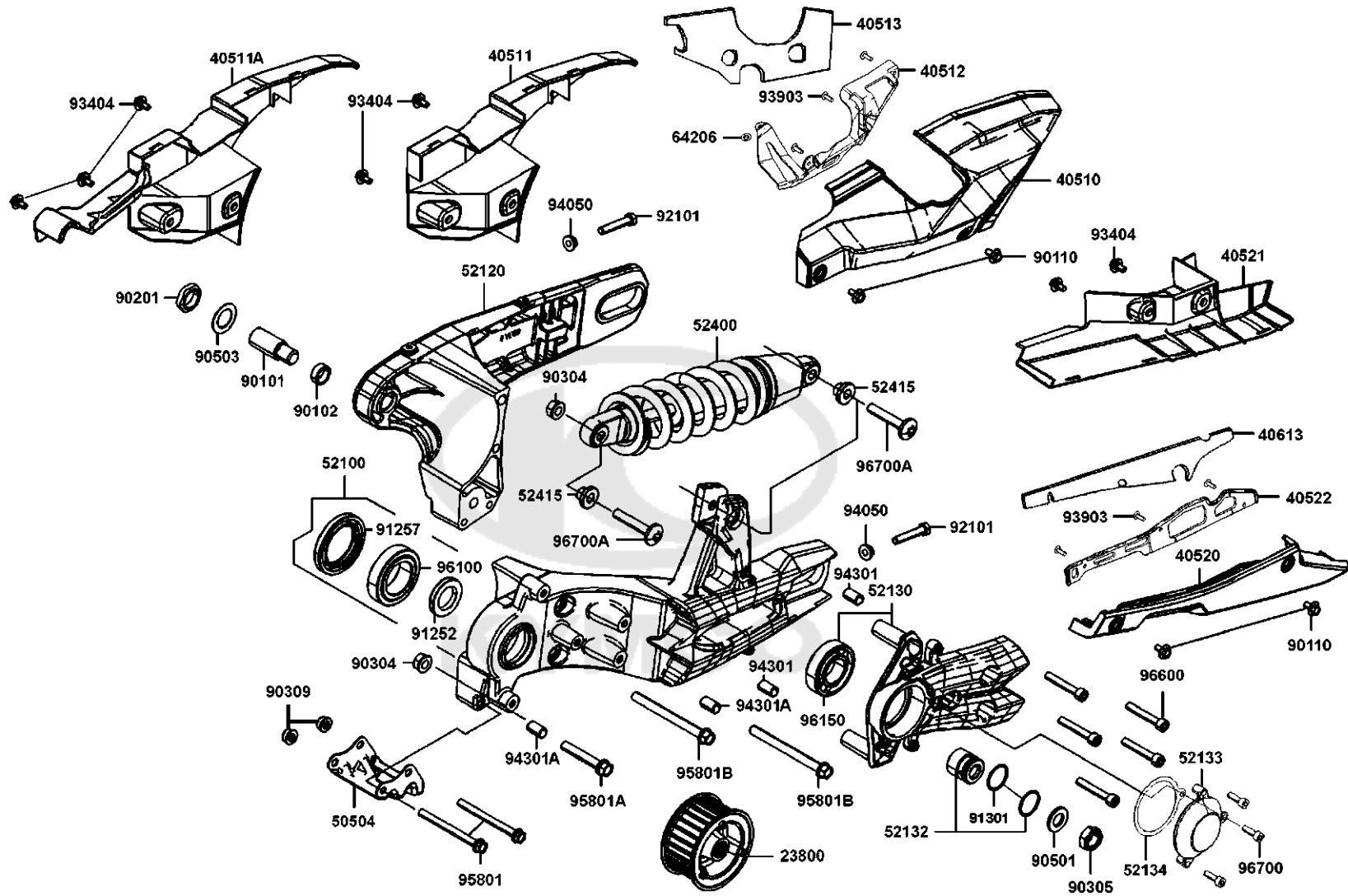
Fr Body FrameStand



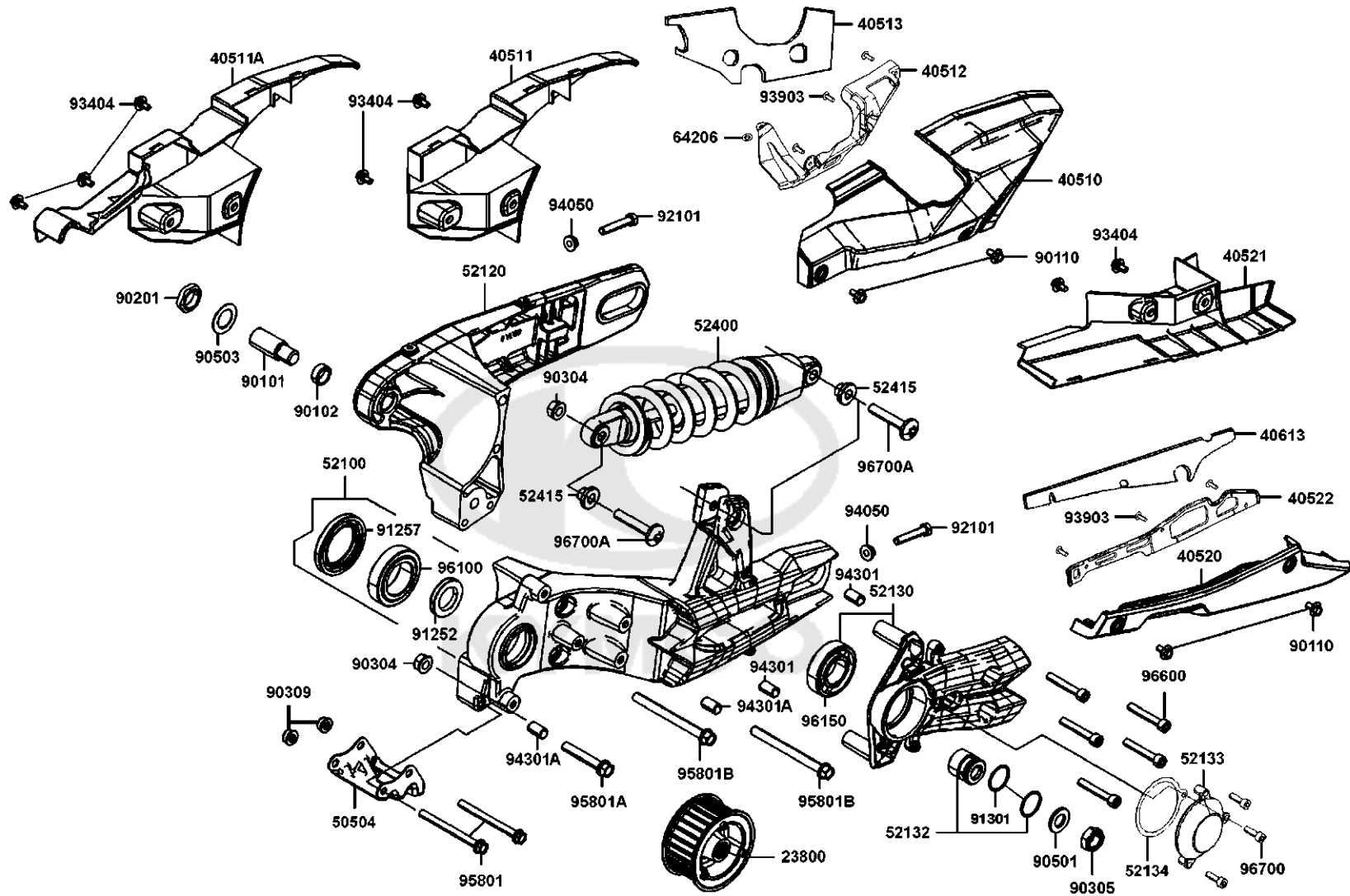
Sales mark	Ref no	Part no	Description	Reg description	Regd no	F15
------------	--------	---------	-------------	-----------------	---------	------------

94302	94302-10160	94302-10160	LOCK PIN	LOCK PIN	2	
95014	95014-72204	95014-72204	SPG B1 SIDE STAND	SPG B1 SIDE STAND	1	
95801	95801-10030-06	95801-10030-06	BOLT FLANGE 10*30	BOLT FLANGE 10*30	3	
95801A	95801-10065-06	95801-10065-06	BOLT FLANGE 10*65	BOLT FLANGE 10*65	1	
96001	96001-06022-06	96001-06022-06	BOLT FLANGE SH 6X22	BOLT FLANGE SH 6X22	2	

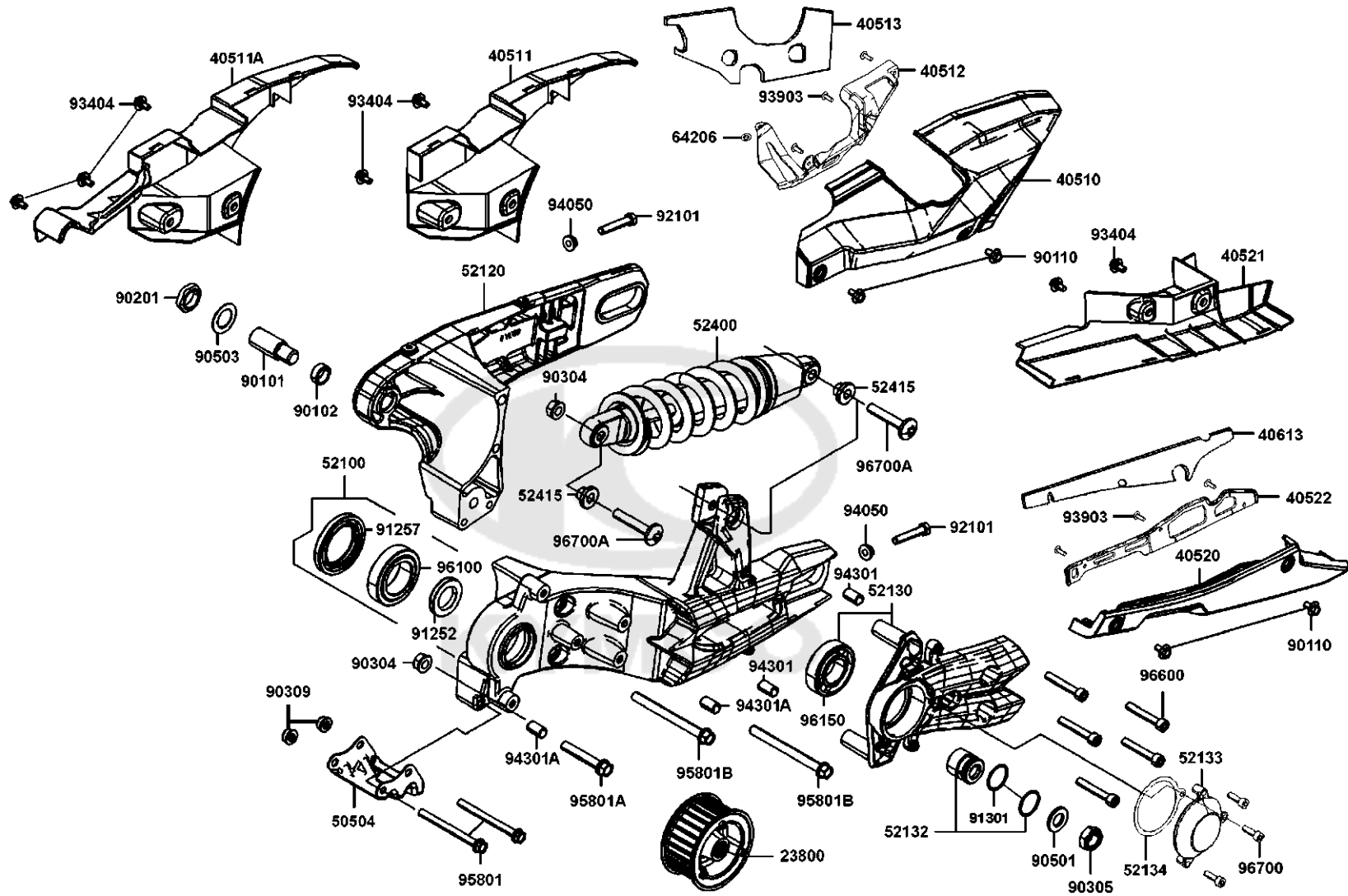




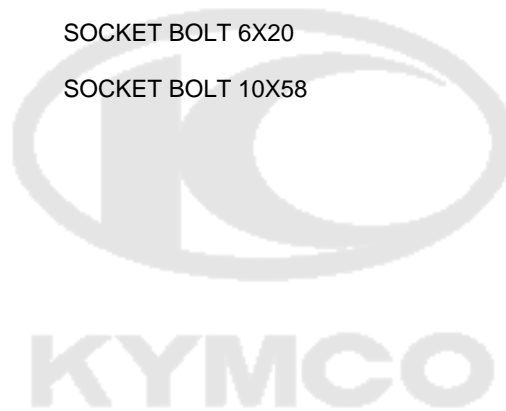
Sales mark	Ref no	Part no	Description	Reg description	Regd no	F16
	23800	23800-LGC6-E00	DRIVE ASSY TRANS BELT	DRIVE ASSY TRANS BELT	1	
	23800	23800-LGC6-E02	DRIVE ASSY TRANS BELT	DRIVE ASSY TRANS BELT	1	
**	40510	40510-LGC6-E00	COVER UP ACHAIN	COVER UP ACHAIN	1	
**	40511	40511-LGC6-E00	COVER UP B CHAIN	COVER UP B CHAIN	1	
**	40511A	40511-LGC6-E01	COVER UP B CHAIN	COVER UP B CHAIN	1	
	40512	40512-LGC6-E00	COVER UP C CHAIN	COVER UP C CHAIN	1	
	40513	40513-LGC6-E00	SPONGN	SPONGN	1	
**	40520	40520-LGC6-E00	COVER LOW A CHAIN	COVER LOW A CHAIN	1	
**	40521	40521-LGC6-E00	COVER LOW B CHAIN	COVER LOW B CHAIN	14	
	40522	40522-LGC6-E00	COVER LOW C CHAIN	COVER LOW C CHAIN	1	
	40613	40613-LGC6-E00	SPONGN	SPONGN	1	
	50504	50504-LGC6-E00	PLATE MAIN STAND TOPPER	PLATE MAIN STAND TOPPER	1	
**	52100	52100-LGC6-E00	FORK ASSY RR L	FORK ASSY RR L	1	
**	52100	52100-LGC6-E01	FORK ASSY RR L/H	FORK ASSY RR L/H	1	
**	52120	52120-LGC6-E00	FORK CAST RR R/H	FORK CAST RR R/H	1	
**	52120	52120-LGC6-E01	FORK CAST RR R/H	FORK CAST RR R/H	1	
**	52130	52130-LGC6-E00	HOLDER ASSY FINAL SHAFT	HOLDER ASSY FINAL SHAFT	1	
	52132	52132-LGC6-E00	COLLAR FINAL SHAFT HOLDER	COLLAR FINAL SHAFT HOLDER	1	
**	52133	52133-LGC6-E00	CAP FINAL SHAFT HOLDER	CAP FINAL SHAFT HOLDER	1	
	52134	52134-LGC6-E00	GASKET RR FORK CAP	GASKET RR FORK CAP	1	



Sales mark	Ref no	Part no	Description	Reg description	Regd no	F16
**	52400	52400-LGC6-E00	CUSHION ASSY RR	CUSHION ASSY RR	1	
	52415	52415-LGC6-E00	COLLAR RR CUSHION	COLLAR RR CUSHION	2	
	64206	64206-MLJ0-001	NUT SPEED 4MM	NUT SPEED 4MM	1	
	90101	90101-LGC6-E00	AXLE RR SWING PIVOT	AXLE RR SWING PIVOT	1	
	90102	90102-LGC6-E00	COLLAR RR FORK PIVOT	COLLAR RR FORK PIVOT	1	
	90110	90110-KED9-900	SCREW PAN 6*18	SCREW PAN 6*18	4	
	90201	90201-LGC6-E00	NUT STRG STEM	NUT STRG STEM	1	
	90304	90304-LEA1-900	NUT U 10MM	NUT U 10MM	2	
	90305	90305-KNBN-90A	NUT U 16MM(B)	NUT U 16MM(B)	1	
	90309	90309-GLW0-90A	NUT U FLANGE 8MM	NUT U FLANGE 8MM	2	
	90501	90501-KNBN-901	WASHER 16MM	WASHER 16MM	1	
	90503	90503-0A51-870	WASHER STEERING STEM NUT	WASHER STEERING STEM NUT	1	
	91252	91252-LGC6-E00	OIL SEAL 26.9X45X7	OIL SEAL 26.9X45X7	1	
	91257	91257-LGC6-E00	OIL SEAL 48X72X8	OIL SEAL 48X72X8	1	
	91301	91301-0H28-001	O RING 27*2	O RING 27*2	2	
	92101	92101-LGC6-E00	BOLT HEX 8*42(C)	BOLT HEX 8*42(C)	2	
	93404	93404-06012-06	BOLT WASHER 6X12	BOLT WASHER 6X12	4	
	93903	93903-24360	SCREW TAPPING 4*12	SCREW TAPPING 4*12	6	
	94050	94050-08020	NUT FLANGE 8MM	NUT FLANGE 8MM	2	
	94301	94301-10160	DOWEL PIN 10*16	DOWEL PIN 10*16	2	

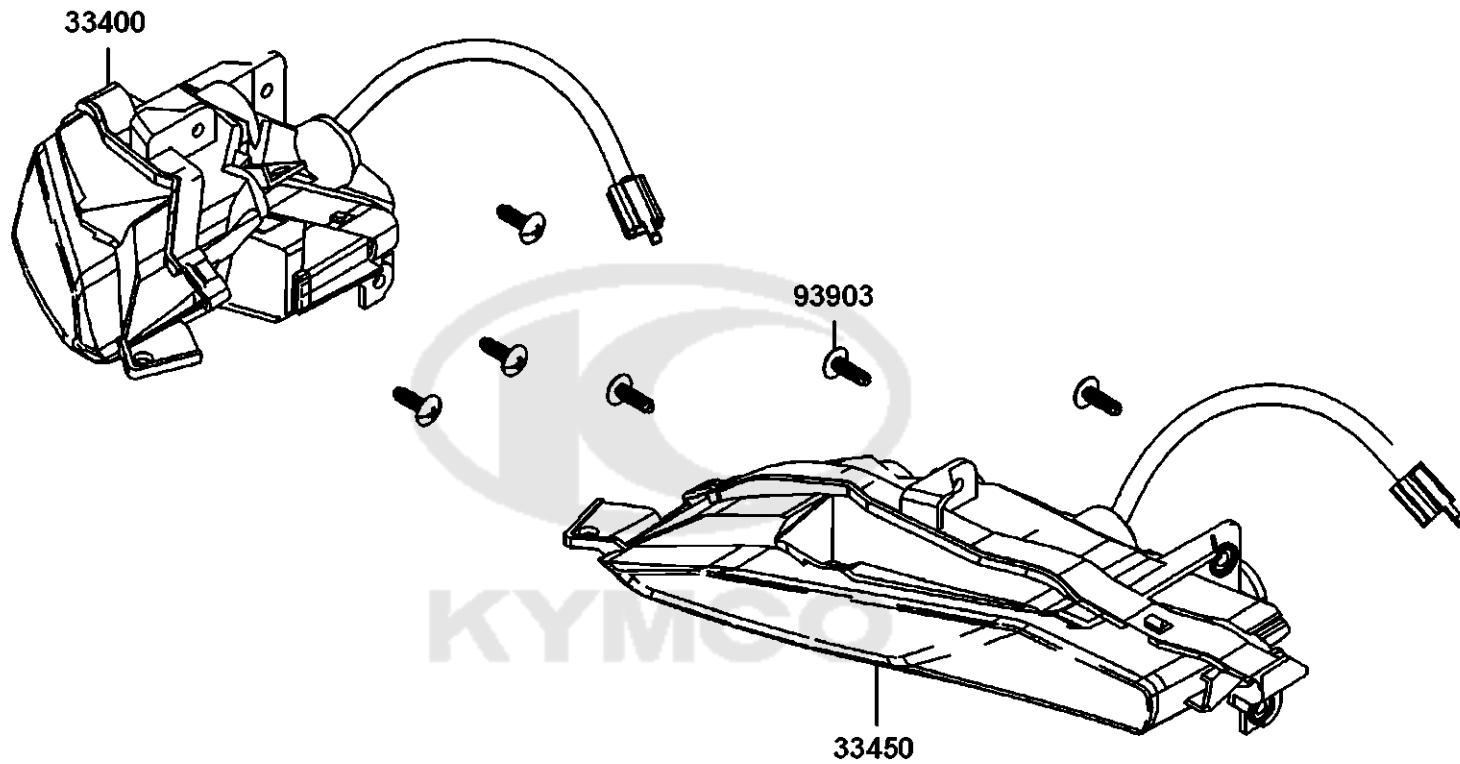


Sales mark	Ref no	Part no	Description	Reg description	Regd no	F16
94301A		94301-12200	DOWEL PIN 12x20	DOWEL PIN 12x20	2	
95801		95801-08090-06	BOLT FLANGE 8*90	BOLT FLANGE 8*90	2	
95801A		95801-10060-06	BOLT FLANGE 10*60	BOLT FLANGE 10*60	1	
95801B		95801-10120-06	BOLT FLANGE 10*120 (G)	BOLT FLANGE 10*120 (G)	2	
96100		96100-LGC6-E00	TAPPER BEARING 4T-32008X	TAPPER BEARING 4T-32008X	1	
96150		96150-62060-10	BEARING 6206UU	BEARING 6206UU	1	
96600		96600-08050-06	SOCKET BOLT 8X50	SOCKET BOLT 8X50	5	
96700		96700-06020-06	SOCKET BOLT 6X20	SOCKET BOLT 6X20	3	
96700A		96700-LGC6-E00	SOCKET BOLT 10X58	SOCKET BOLT 10X58	2	



F17

Front Winker RR WINKER



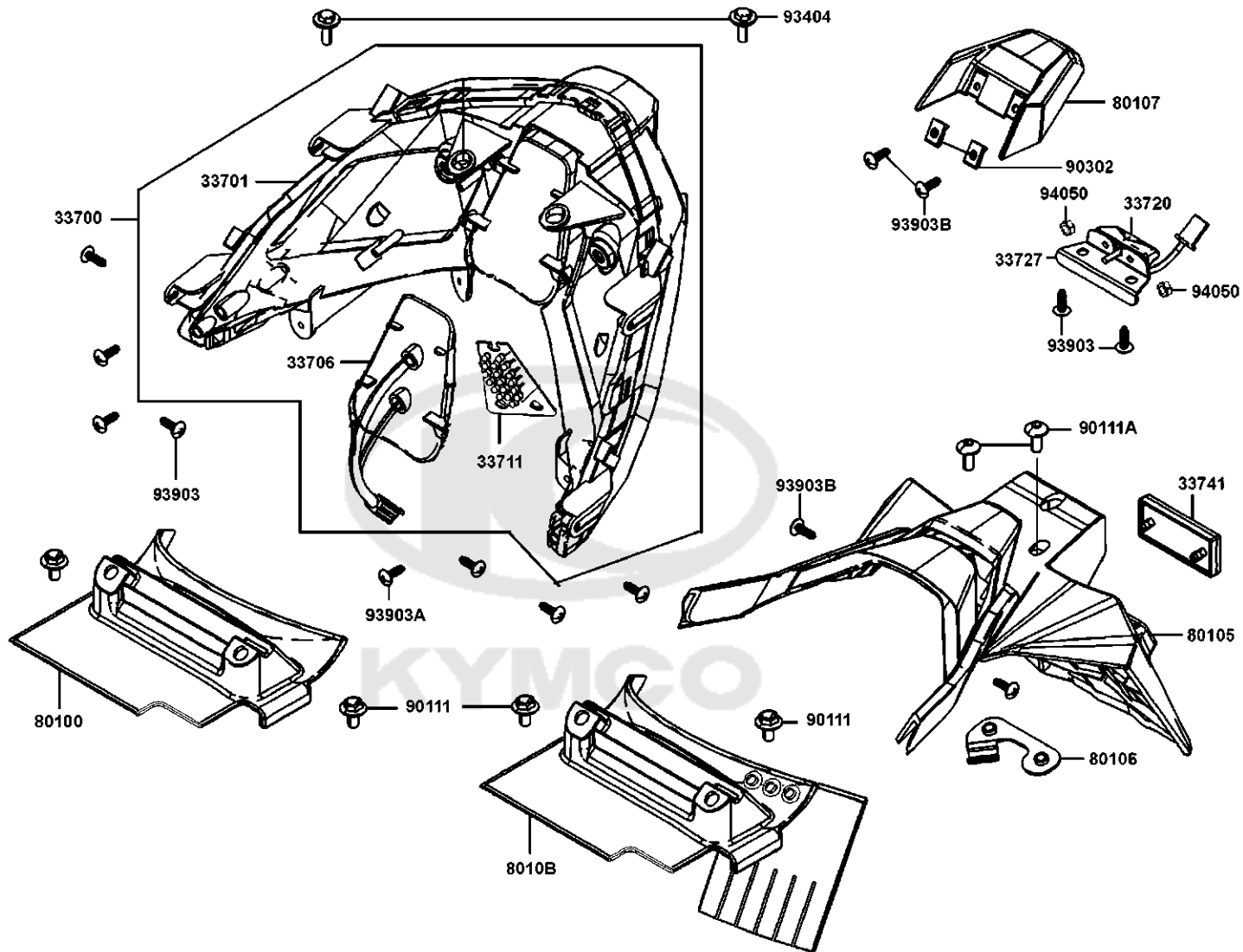
Sales mark	Ref no	Part no	Description	Reg description	Regd no	F17
------------	--------	---------	-------------	-----------------	---------	------------

33400		33400-LGC6-E00	WINKER ASSY.. R. FR	WINKER ASSY.. R. FR	1	
33450		33450-LGC6-E00	WINKER ASSY.. L. FR	WINKER ASSY.. L. FR	1	
93903		93903-35260	SCREW TAPPING 5X12	SCREW TAPPING 5X12	6	



F18

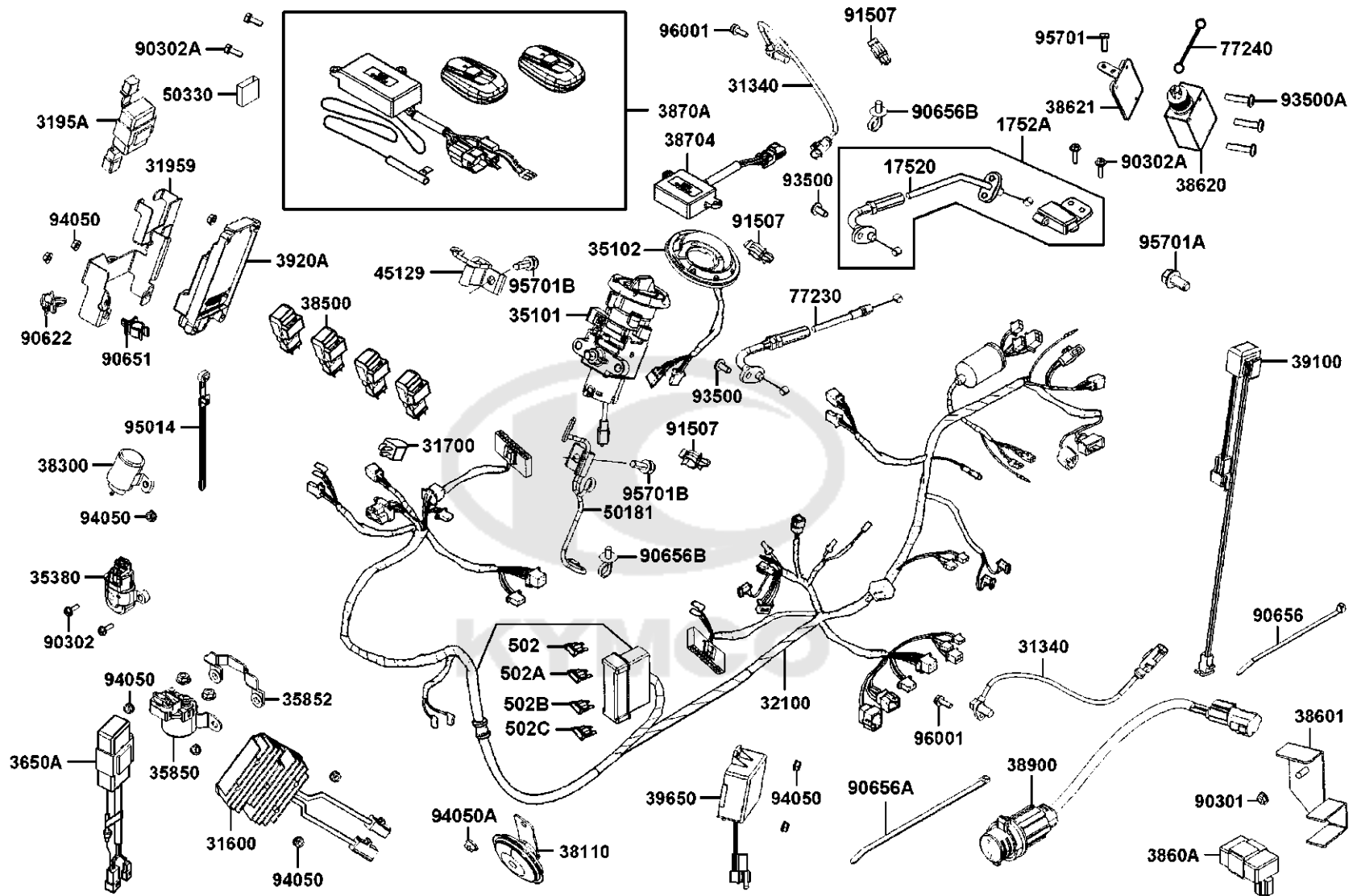
Rear Light Rear Fender



Sales mark	Ref no	Part no	Description	Reg description	Regd no	F18
	33700	33700-LGC6-E00	LIGHT ASSY.. RR. COMB.	LIGHT ASSY.. RR. COMB.	1	
	33701	33701-LGC6-305	LENS UNIT TAIL LIGHT	LENS UNIT TAIL LIGHT	1	
	33706	33706-LGC6-E00	COCKET COMP ASSY	COCKET COMP ASSY	1	
	33711	33711-LGC6-E00	PCB STOP LIGHT	PCB STOP LIGHT	1	
	33720	33720-LGC6-305	LIGHT SET LICENSE	LIGHT SET LICENSE	1	
	33727	33727-LGC6-E00	STAY	STAY	1	
	33741	33741-ACH7-900	REFLEX REFLECTOR	REFLEX REFLECTOR	1	
**	80100	80100-LGC6-E00	FENDER RR TIRE	FENDER RR TIRE	1	
**	80105	80105-LGC6-E00	FENDER REAR	FENDER REAR	1	
	80106	80106-LGC6-E00	STAY RR.FENDER	STAY RR.FENDER	1	
**	80107	80107-LGC6-E00	COVER LICENSE LIGHT	COVER LICENSE LIGHT	0	
**	8010B	8010B-LGC6-E00	FENDER TIRE ASSY RR	FENDER TIRE ASSY RR	1	
	90111	90111-LEB1-900	BOLT FLANGE 6X12	BOLT FLANGE 6X12	2	
	90111A	90111-LEC8-E00	SCREW PAN 6x14	SCREW PAN 6x14	2	
	90302	90302-SDA4-004	NUT SPRING 4MM(C)	NUT SPRING 4MM(C)	2	
	93404	93404-06012-06	BOLT WASHER 6X12	BOLT WASHER 6X12	2	
	93903	93903-24360	SCREW TAPPING 4*12	SCREW TAPPING 4*12	6	
	93903A	93903-GFY6-900	SCREW TAPPING 4*14	SCREW TAPPING 4*14	4	
	93903B	93903-LGC6-E01	SCREW TAPPING	SCREW TAPPING	4	
	94050	94050-LHJ3-900	NUT M4*0.7	NUT M4*0.7	2	

F19

Wire Harness



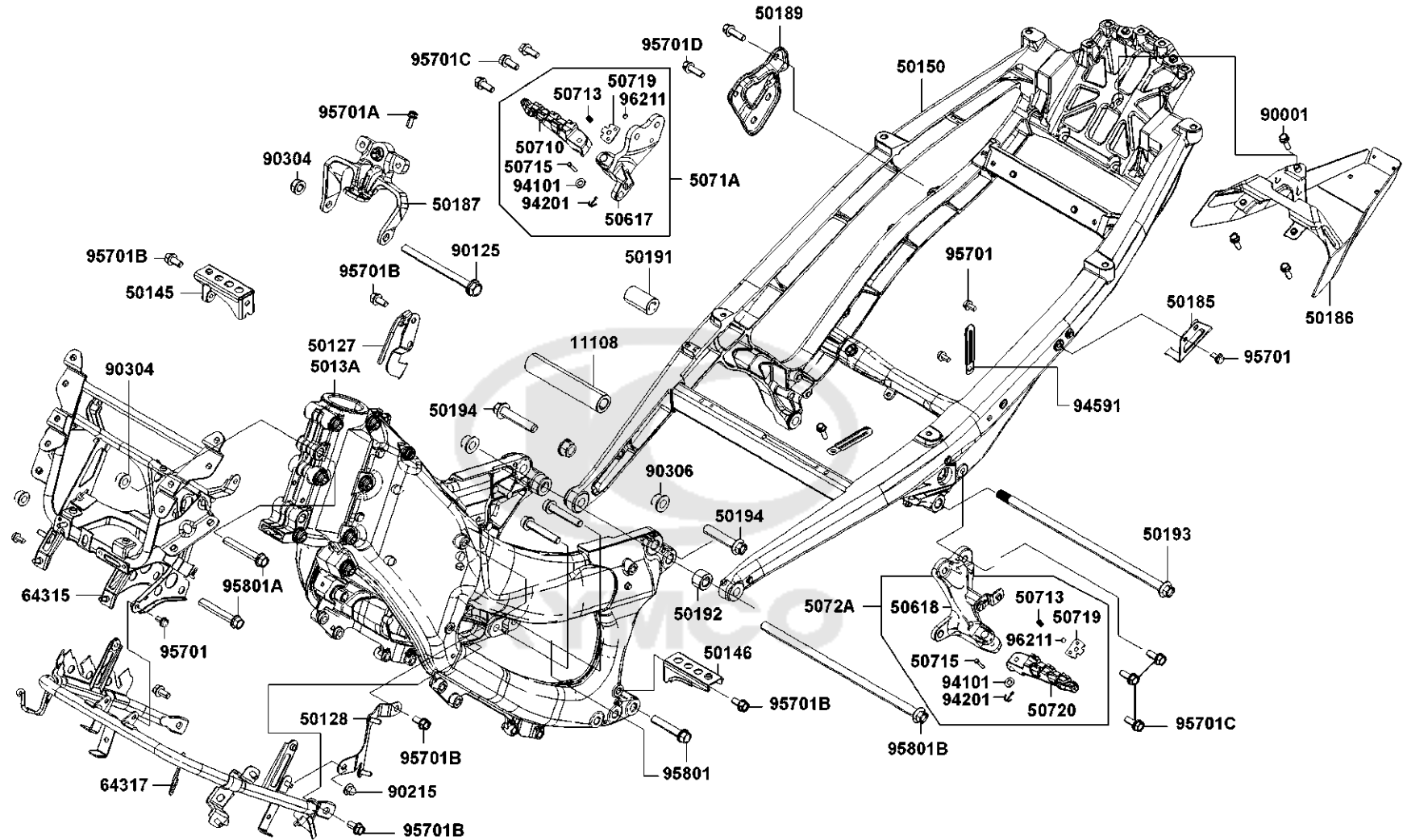
Sales mark	Ref no	Part no	Description	Reg description	Regd no	F19
	17520	17520-LGC6-E00	CABLE COMP FUEL CAP	CABLE COMP FUEL CAP	1	
	1752A	1752A-LGC6-E00	CABLE ASSY FUEL CAP	CABLE ASSY FUEL CAP	1	
	31340	31340-LEA7-E00	MOTORCYCLE DF11 WHEEL SPEED	MOTORCYCLE DF11 WHEEL SPEED SENSOR	1	
	31600	31600-LKF5-E00	REG REC COMP	REG REC COMP	1	
	31700	31700-KEC8-E00	RECTIFIER COMP DIODE	RECTIFIER COMP DIODE	1	
	31959	31959-LGC6-E00	STAY HAZARD	STAY HAZARD	1	
	3195A	3195A-LBA7-E00	HAZARD CONTROL ASSY	HAZARD CONTROL ASSY	0	
	32100	32100-LGC6-910	HARNESS WIRE	HARNESS WIRE	1	
	32100	32100-LGC6-E01	HARNESS WIRE	HARNESS WIRE	1	
	35101	35101-LGC6-315	KEY SET LOCK & COMB	KEY SET LOCK & COMB	1	
	35102	35102-LGC6-315	COLLAR MAIN SW	COLLAR MAIN SW	1	
	35380	35380-LEA2-900	SENSOR ANGLE DETECT	SENSOR ANGLE DETECT	1	
	35850	35850-LGC6-E00	SET START MAG	SET START MAG	1	
**	35852	35852-LGC6-E00	ISOLATED PLATE	ISOLATED PLATE	1	
	3650A	3650A-LGC6-E00	DRIVER ASS'Y HEATED GRIP	DRIVER ASS'Y HEATED GRIP	1	
	38110	38110-KKC3-90A	HORN COMP **90B C.P.N.	HORN COMP **90B C.P.N.	1	
	38300	38300-KKE5-E00	RELAY COMP. WINKER	RELAY COMP. WINKER	1	
	38500	38500-LGL3-90A	RELAY ASSY LIGHT	RELAY ASSY LIGHT	1	
	38601	38601-LGC6-E00	STAY LIGHT CONTROLLER	STAY LIGHT CONTROLLER	1	
	3860A	3860A-LGC6-E00	CONTROLLER ASS Y HEAD LIGHT	CONTROLLER ASS Y HEAD LIGHT	1	

Sales mark	Ref no	Part no	Description	Reg description	Regd no	F19
38620		38620-LGC6-E00	LINEAR MOTOR ASS'Y	LINEAR MOTOR ASS'Y	1	
38621		38621-LGC6-E00	STAY LINEAR MOTOR	STAY LINEAR MOTOR	1	
38704		38704-LGC6-E00	ANTENNA COMP.	ANTENNA COMP.	1	
3870A		3870A-LGC6-E00	KEYLESS ASSY.	KEYLESS ASSY.	1	
38900		38900-ACD5-E00	CONTROLLER USB CHARGER	CONTROLLER USB CHARGER	1	
39100		39100-LGC6-E00	EMI FILTER. FAN MOTOR	EMI FILTER. FAN MOTOR	1	
3920A		3920A-LGC6-E01	ASSY ECU (39KW)	ASSY ECU (39KW)	1	
39650		39650-LGC6-E00	CONTROL UNIT. TIRE PRESURE	CONTROL UNIT. TIRE PRESURE	1	
45129		45129-LGC6-E00	CLIP BRAKE CABLE	CLIP BRAKE CABLE	1	
50181		50181-LGC6-E00	CLIPTHROD CABLE	CLIPTHROD CABLE	1	
502		502-00149	BLADE FUSE MINI 15A	BLADE FUSE MINI 15A	4	
502A		502-00151	BLADE FUSE MINI 10A	BLADE FUSE MINI 10A	3	
502B		502-00155	BLADE FUSE MINI 25A	BLADE FUSE MINI 25A	2	
502C		502-00164	BLADE FUSE MINI 5A	BLADE FUSE MINI 5A	2	
50330		50330-LKF5-E00	SPONGE BATTERY CASE	SPONGE BATTERY CASE	1	
77230		77230-LGC6-E00	CABLE ASSY FR INNER BOX LOCK	CABLE ASSY FR INNER BOX LOCK	1	
77240		77240-LGC6-E01	CABLE ASSY SEAT LOCK	CABLE ASSY SEAT LOCK	2	
90301		90301-6D34-671	NUT FLANGE 6MM	NUT FLANGE 6MM	1	
90302		90302-GFY6-940	BOLT-WASH 5*16 (G)	BOLT-WASH 5*16 (G)	2	
90302A		90302-LLB1-E00	BOLT-WASH 5X12	BOLT-WASH 5X12	2	

Sales mark	Ref no	Part no	Description	Reg description	Regd no	F19
	90622	90622-LHJ8-900	CLAMP	CLAMP	1	
	90651	90651-ALH3-700	CLIP WIREE HARN	CLIP WIREE HARN	1	
	90656	90656-KCBC-900	BAND OIL HANDLE 8*146()	BAND OIL HANDLE 8*146()	11	
**	90656A	90656-KUDU-900	BAND HARNESS WIRE 8*216	BAND HARNESS WIRE 8*216	1	
	90656B	90656-ZVA6-M00	CABLE STRAP	CABLE STRAP	4	
	91507	91507-LKE6-900	CLIP	CLIP	3	
	93500	93500-KHC4-90A	SCREW PAN 5*10	SCREW PAN 5*10	4	
	93500A	93500-LGC6-E00	SCREW PAN 4X40	SCREW PAN 4X40	3	
	94050	94050-06060	NUT FLANGE 6MM	NUT FLANGE 6MM	10	
	94050A	94050-08060	NUT FLANGE 8MM	NUT FLANGE 8MM	1	
	95014	95014-PRB3-900	STRAP CABLE	STRAP CABLE	5	
	95701	95701-06012-06	BOLT FLANGE 6X12	BOLT FLANGE 6X12	1	
	95701A	95701-08012-06	BOLT FLANGE 8X12	BOLT FLANGE 8X12	1	
	95701B	95701-LEA5-E00	BOLT TORQUE 8*25	BOLT TORQUE 8*25	2	
	96001	96001-06012-06	BOLT FLANGE SH 6X12	BOLT FLANGE SH 6X12	2	

F20

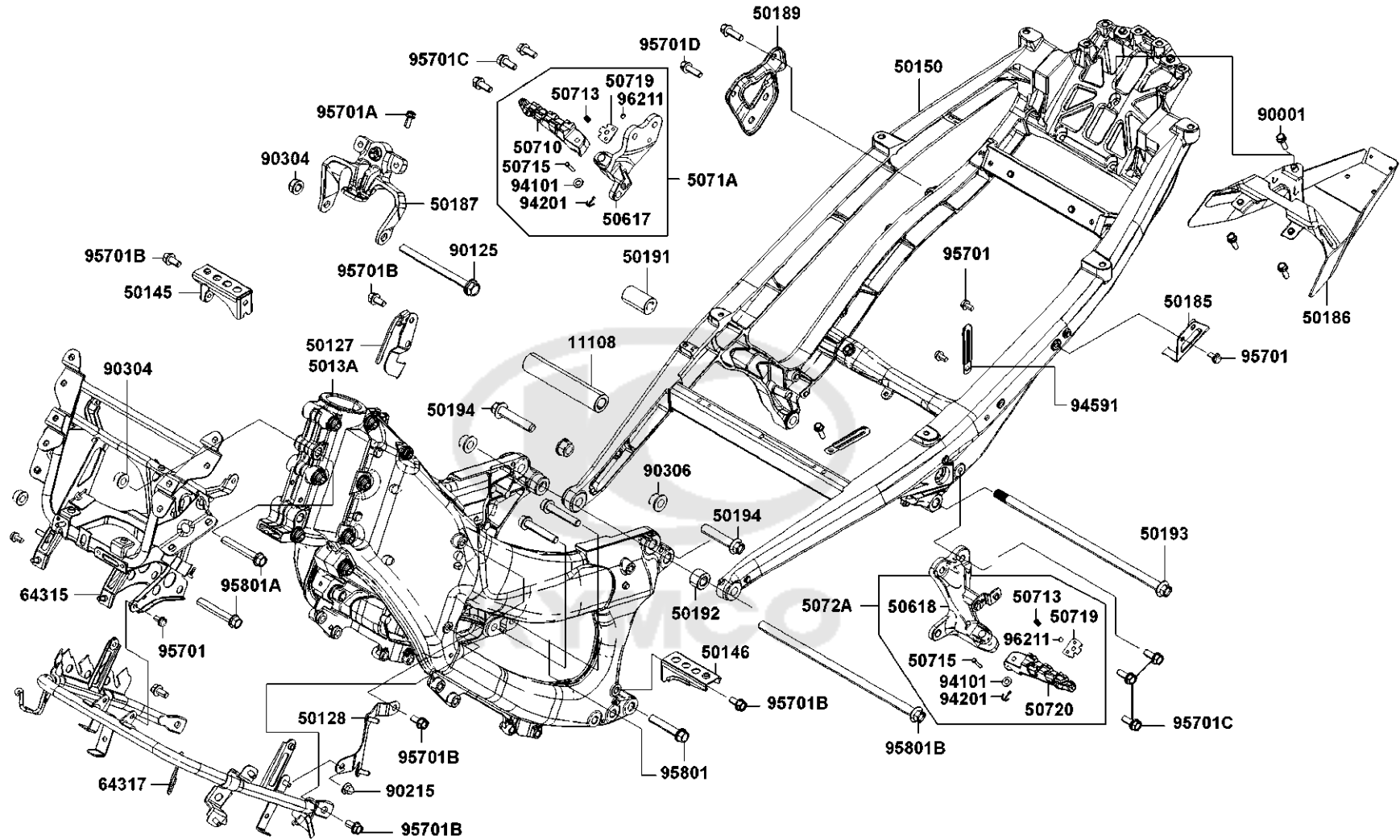
Frame Body



Sales mark	Ref no	Part no	Description	Reg description	Regd no	F20
11108		11108-LGC6-E00	HOLDER. STATOR WIRE	HOLDER. STATOR WIRE	1	
50127		50127-LGC6-E00	STAY KEYLESS CASE	STAY KEYLESS CASE	1	
50128		50128-LGC6-E00	STAY TIRE PRESSURE CONTROLLER	STAY TIRE PRESSURE CONTROLLER	1	
5013A		5013A-LGC6-E00	BODY ASSY. FR FRAME	BODY ASSY. FR FRAME	1	
50145		50145-LGC6-E00	RR. STAY R FLOOR PANEL	RR. STAY R FLOOR PANEL	1	
50146		50146-LGC6-E00	RR. STAY L FLOOR PANEL	RR. STAY L FLOOR PANEL	1	
50150		50150-LGC6-E00	BODY ASSY RR FRAME	BODY ASSY RR FRAME	1	
50185		50185-LGC6-E00	STAY CANISTER	STAY CANISTER	1	
50186		50186-LGC6-E00	STAY RR FENDER	STAY RR FENDER	1	
50187		50187-LGC6-E00	STAY MAIN SW.	STAY MAIN SW.	1	
50189		50189-LGC6-E00	BRKT MUFFLER	BRKT MUFFLER	1	
50191		50191-LGC6-E00	COLLAR R RR ENG MOUNTING	COLLAR R RR ENG MOUNTING	1	
50192		50192-LGC6-E00	COLLAR L FR ENG MOUNTING	COLLAR L FR ENG MOUNTING	1	
50193		50193-LGC6-E00	BOLT FLANGE 12X315	BOLT FLANGE 12X315	1	
50194		50194-LGC6-E00	BOLT FLANGE 12X60	BOLT FLANGE 12X60	1	
50617		50617-LGC6-E00	BRKT R PILLION STEP	BRKT R PILLION STEP	1	
50618		50618-LGC6-E00	BRKT L PILLION STEP	BRKT L PILLION STEP	1	
50710		50710-LGC6-E00	BAR R PILLION STEP	BAR R PILLION STEP	1	
50713		50713-KEB7-900	SPRING	SPRING	1	
50715		50715-KKAK-900	PIN RR STEP	PIN RR STEP	2	

F20

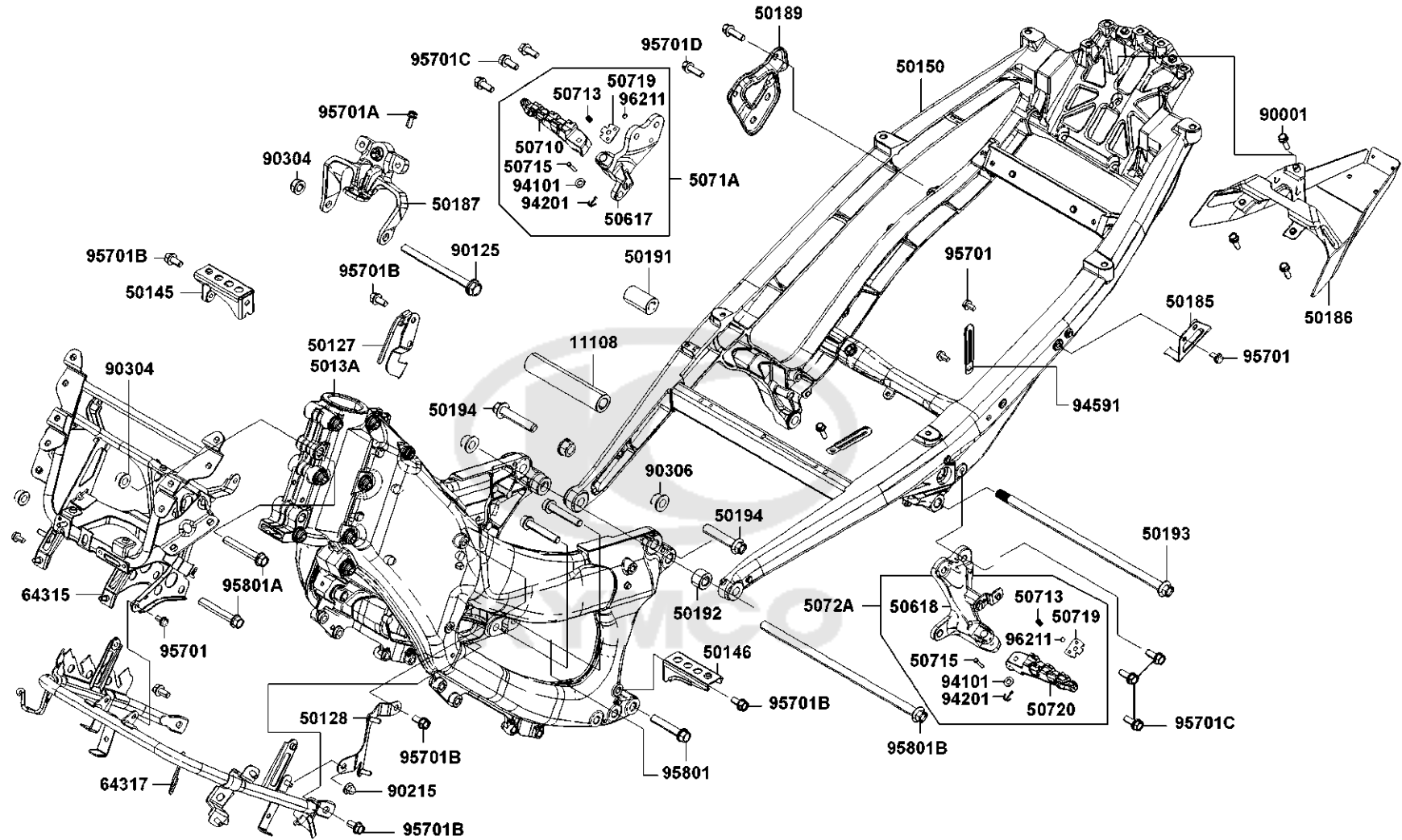
Frame Body



Sales mark	Ref no	Part no	Description	Reg description	Regd no	F20
50719		50719-LGC6-E00	PLATE PILLION STEP	PLATE PILLION STEP	2	
5071A		5071A-LGC6-E00	BAR ASSY. R PILLION STEP	BAR ASSY. R PILLION STEP	1	
50720		50720-LGC6-E00	BAR L PILLION STEP	BAR L PILLION STEP	1	
5072A		5072A-LGC6-E00	BAR ASSY. L PILLION STEP	BAR ASSY. L PILLION STEP	1	
64315		64315-LGC6-E00	BRKT FR COVER	BRKT FR COVER	1	
64317		64317-LGC6-E00	UNDER PIPE FR COVER BRKT.	UNDER PIPE FR COVER BRKT.	1	
90001		90001-GBHB-661	BOLT FLANGE SH 6X22	BOLT FLANGE SH 6X22	3	
90125		90125-LGC6-E00	BOLT FLANGE 10X130	BOLT FLANGE 10X130	1	
90215		90215-KKC4-900	NUT CAP 6MM	NUT CAP 6MM	1	
90304		90304-LEA1-900	NUT U 10MM	NUT U 10MM	3	
90306		90306-LFE2-900	NUT FLANGE 12MM	NUT FLANGE 12MM	4	
94101		94101-06000	WASHER PLAIN 6MM	WASHER PLAIN 6MM	2	
94201		94201-20180	PIN SPLIT 2.0*18	PIN SPLIT 2.0*18	2	
94591		94591-LGC6-E00	CLIP 2 X 70	CLIP 2 X 70	1	
95701		95701-06012-06	BOLT FLANGE 6X12	BOLT FLANGE 6X12	3	
95701A		95701-06016-06	BOLT FLANGE 6*16	BOLT FLANGE 6*16	1	
95701B		95701-08016-06	BOLT FLANGE 8*16	BOLT FLANGE 8*16	6	
95701C		95701-08020-06	BOLT FLANGE 8*20	BOLT FLANGE 8*20	6	
95701D		95701-08025-06	BOLT FLANGE 8*25	BOLT FLANGE 8*25	2	
95801		95801-10055-06	BOLT FLANGE 10*55	BOLT FLANGE 10*55	3	

F20

Frame Body



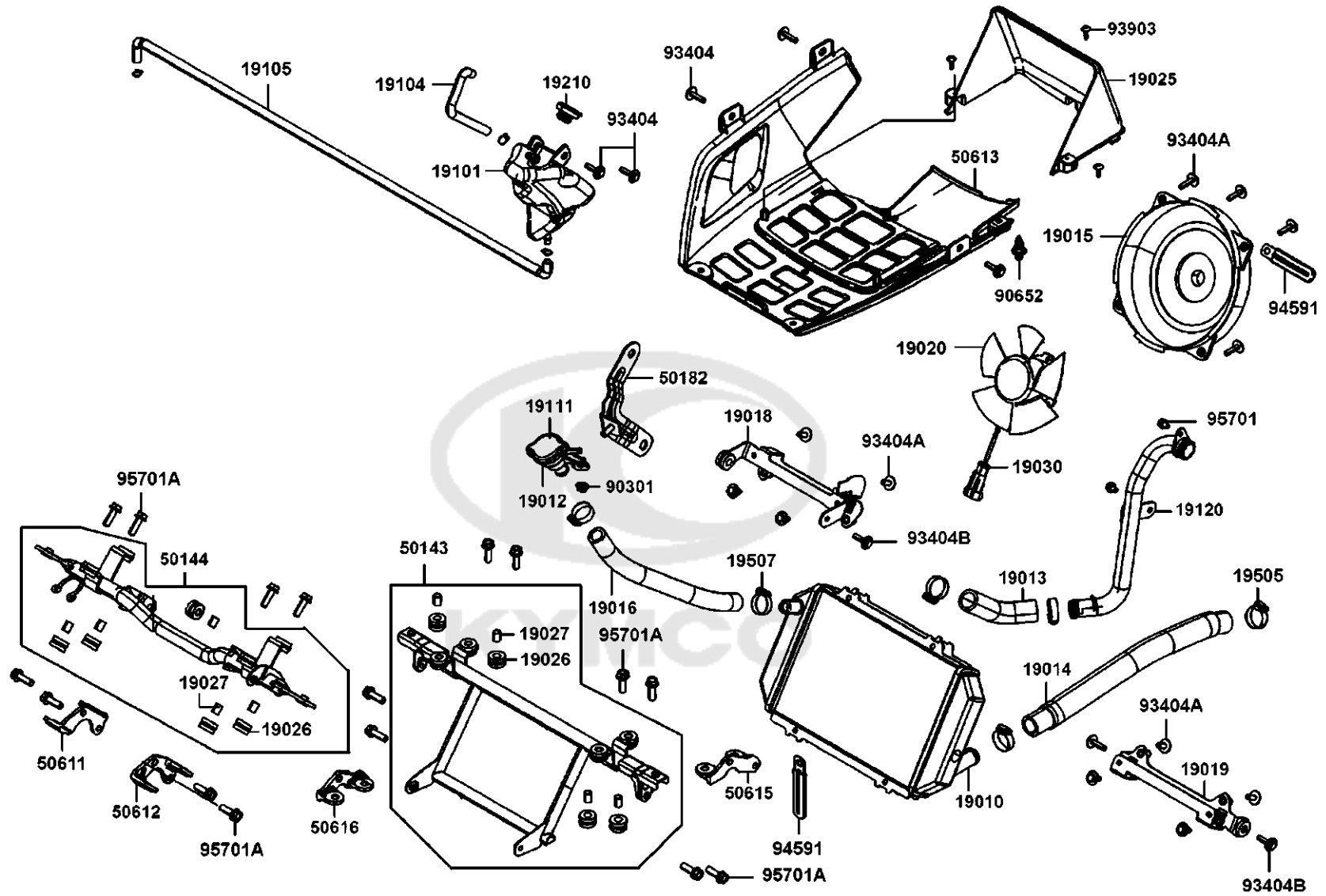
Sales mark	Ref no	Part no	Description	Reg description	Regd no	F20
------------	--------	---------	-------------	-----------------	---------	------------

95801A		95801-10065-06	BOLT FLANGE 10*65	BOLT FLANGE 10*65	2	
95801B		95801-12295-06	BOLT FLANGE 12X295	BOLT FLANGE 12X295	1	
96211		96211-08000	BALL STEEL 8	BALL STEEL 8	2	



F21

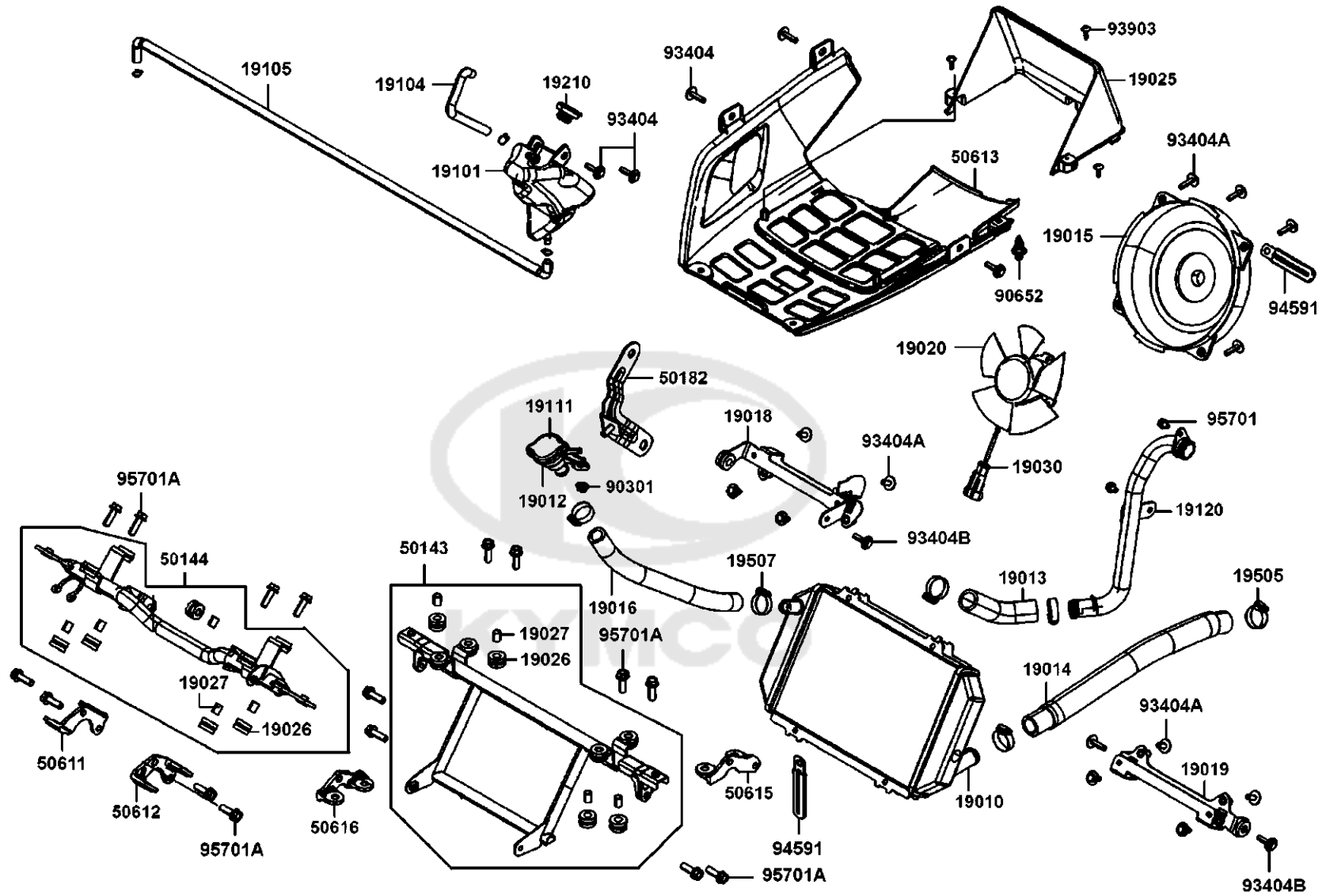
Radiator



Sales mark	Ref no	Part no	Description	Reg description	Regd no	F21
	19010	19010-LGC6-E00	RADIATOR COMP	RADIATOR COMP	1	
	19012	19012-LEA7-E05	UNIT RADIATOR	UNIT RADIATOR	1	
	19013	19013-LGC6-E00	HOSE WATER INLET	HOSE WATER INLET	1	
	19014	19014-LGC6-E00	HOSE WATER OUTLET	HOSE WATER OUTLET	1	
	19015	19015-LBA2-E00	SHROUD COMP	SHROUD COMP	1	
	19016	19016-LGC6-E00	HOSE WATER-UNIT CAP	HOSE WATER-UNIT CAP	1	
	19018	19018-LGC6-E00	HOLDER UPPER RADIATOR	HOLDER UPPER RADIATOR	1	
	19019	19019-LGC6-E00	HOLDER LOWER RADIATOR	HOLDER LOWER RADIATOR	1	
	19020	19020-LBA2-E00	FAN COOLING	FAN COOLING	1	
**	19025	19025-LGC6-E00	COVER RADIATOR	COVER RADIATOR	1	
	19026	19026-LKF5-E00	DAMPING RUBBER RADIATOR	DAMPING RUBBER RADIATOR	9	
	19027	19027-LKF5-E00	COLLAR RADIATOR	COLLAR RADIATOR	9	
	19030	19030-LDB5-E00	MOTOR ASSY FAN	MOTOR ASSY FAN	1	
	19101	19101-LGC6-E00	TANK RESERVE	TANK RESERVE	1	
	19104	19104-ACD5-E00	HOSE ASSY DRAIN	HOSE ASSY DRAIN	1	
	19105	19105-LGC6-E00	HOSE ASSYRESERVE TANK-PRESSURE	HOSE ASSYRESERVE TANK-PRESSURE	1	
	19111	19111-PRB3-900	CAP COMP RADIATOR	CAP COMP RADIATOR	1	
	19120	19120-LGC6-E00	PIPE WATER INLET	PIPE WATER INLET	1	
	19210	19210-KKC4-900	CAP RESERVE TANK	CAP RESERVE TANK	1	
	19505	19505-LBA2-E00	CLAMP WATER HOSE	CLAMP WATER HOSE	4	

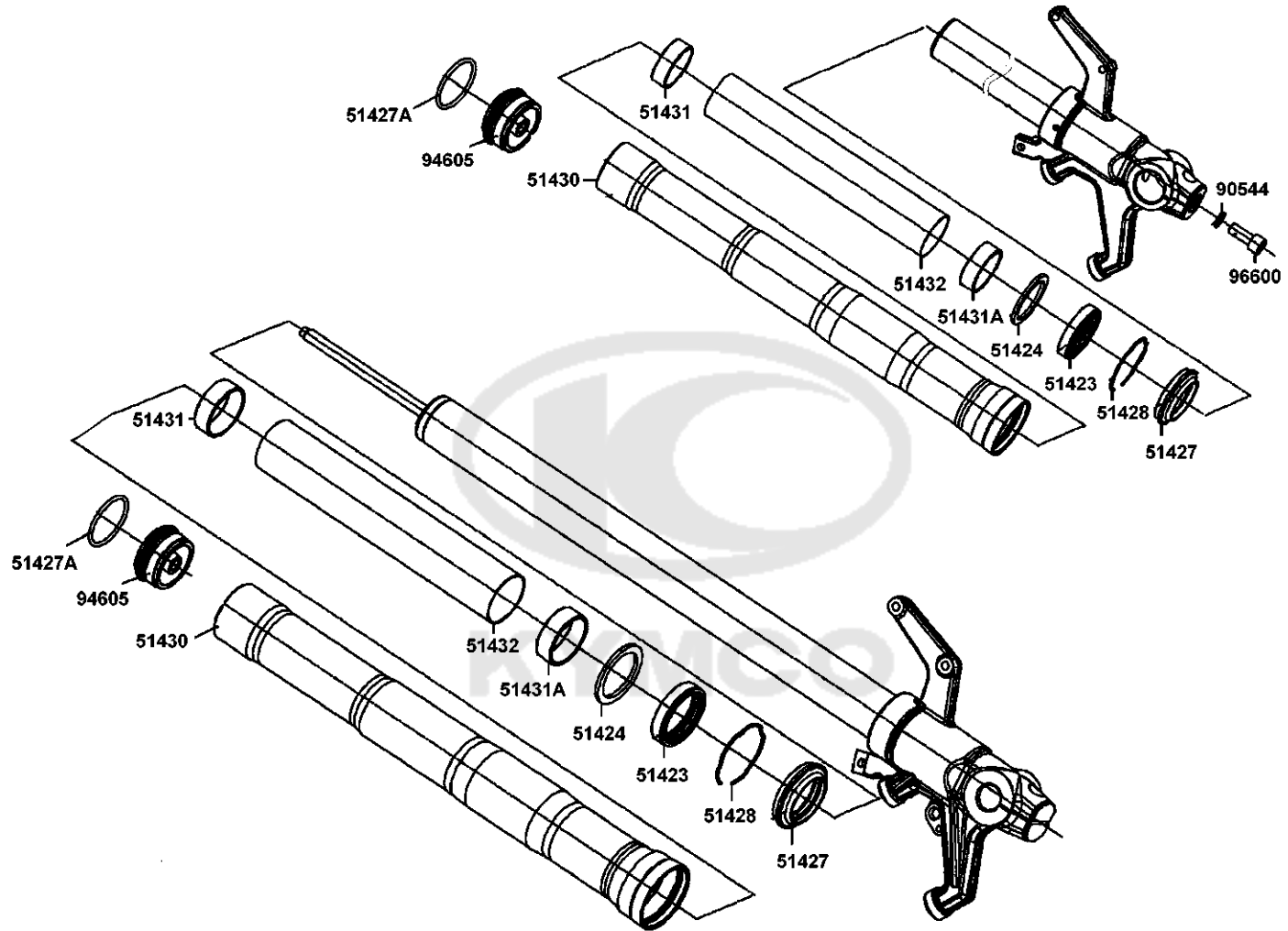
F21

Radiator



Sales mark	Ref no	Part no	Description	Reg description	Regd no	F21
	19507	19507-LDB5-E00	CLAMP D28	CLAMP D28	2	
	50143	50143-LGC6-E00	BRKT RADIATOR	BRKT RADIATOR	1	
	50144	50144-LGC6-E00	FR. STAY FLOOR PANEL	FR. STAY FLOOR PANEL	1	
	50182	50182-LGC6-E00	STAY SUPT FILLER NECK	STAY SUPT FILLER NECK	1	
	50611	50611-LGC6-E00	FR. BRKT R FLOOR PANEL	FR. BRKT R FLOOR PANEL	1	
	50612	50612-LGC6-E00	FR. BRKT L FLOOR PANEL	FR. BRKT L FLOOR PANEL	1	
**	50613	50613-LGC6-E00	COVER UNDER	COVER UNDER	1	
	50615	50615-LGC6-E00	CENTER BRKT R FLOOR PANEL	CENTER BRKT R FLOOR PANEL	1	
	50616	50616-LGC6-E00	CENTER BRKT L FLOOR PANEL	CENTER BRKT L FLOOR PANEL	1	
	90301	90301-6D34-671	NUT FLANGE 6MM	NUT FLANGE 6MM	1	
	90652	90652-LFB5-900	CLIP MUDGUARD	CLIP MUDGUARD	1	
	93404	93404-06012-06	BOLT WASHER 6X12	BOLT WASHER 6X12	5	
	93404A	93404-06016-06	BOLT WASHER 6X16	BOLT WASHER 6X16	12	
	93404B	93404-06025-06	BOLT WASHER 6*25	BOLT WASHER 6*25	3	
	93903	93903-24360	SCREW TAPPING 4*12	SCREW TAPPING 4*12	3	
	94591	94591-KFBF-900	CLIP 2X70	CLIP 2X70	2	
	94591	94591-LLB1-900	CLIP 2X100	CLIP 2X100	1	
	95701	95701-06012-06	BOLT FLANGE 6X12	BOLT FLANGE 6X12	2	
	95701A	95701-08025-06	BOLT FLANGE 8*25	BOLT FLANGE 8*25	16	

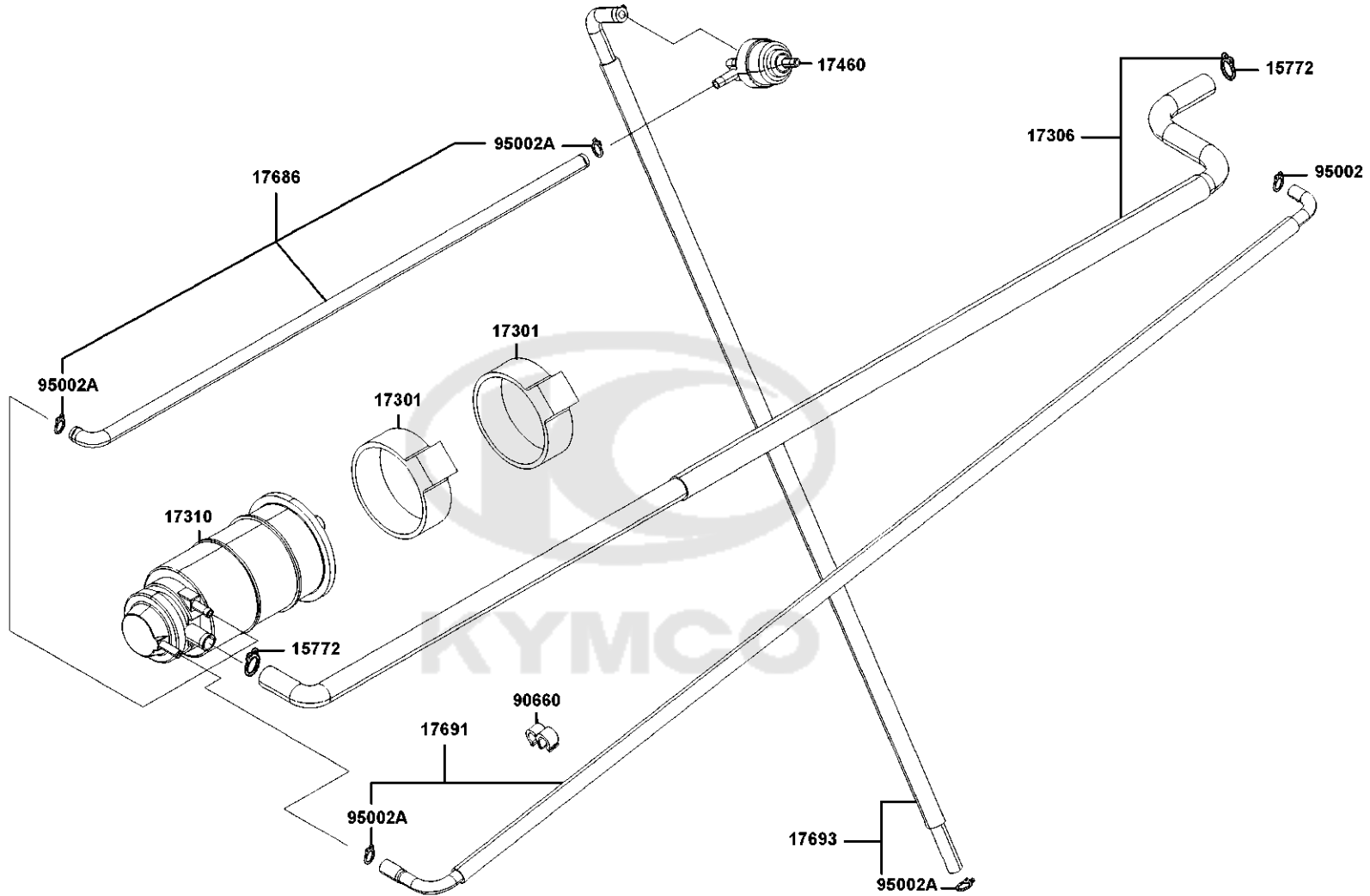
Separated Parts Of Fr Fork



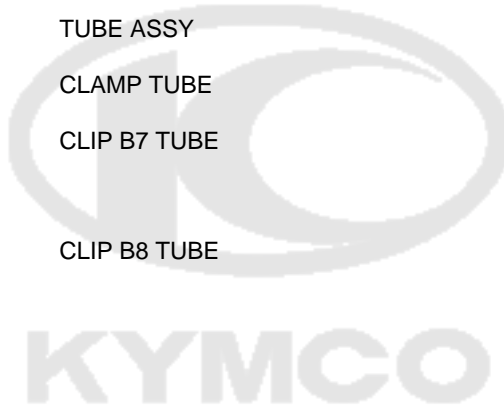
Sales mark	Ref no	Part no	Description	Reg description	Regd no	F22
51423		51423-KED9-900	OIL SEAL	OIL SEAL	1	
51424		51424-KED9-900	SPACER	SPACER	1	
51427		51427-KED9-900	DUST SEAL	DUST SEAL	1	
51427A		51427-LGC6-E00	O-RING	O-RING	1	
51427		51427-LGC6-E02	DUST SEAL	DUST SEAL	1	
51428		51428-KED9-900	OIL SEAL STOPPER RING	OIL SEAL STOPPER RING	1	
51430		51430-LGC6-E00	OUTER TUBE	OUTER TUBE	1	
51431		51431-KED9-900	GUIDE BUSH	GUIDE BUSH	1	
51431A		51431-LGC6-E00	GUIDE BUSH	GUIDE BUSH	1	
51432		51432-LGC6-E00	DIST COLLAR	DIST COLLAR	1	
90544		90544-KEC8-900	PACKING	PACKING	1	
94605		94605-LGC6-E00	FORK BOLT	FORK BOLT	2	
96600		96600-LKF5-E00	BOLT	BOLT	1	

F23

Canister

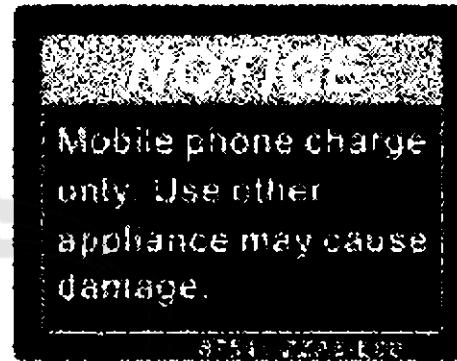


Sales mark	Ref no	Part no	Description	Reg description	Regd no	F23
15772		15772-5L00-013	CLIP B14.5 TUBE	CLIP B14.5 TUBE	2	
17301		17301-LEA7-M31	RUBBER CANISTER MOUNT	RUBBER CANISTER MOUNT	2	
17306		17306-LGC6-E00	TUBE ASSY CANISTER-AIR/C	TUBE ASSY CANISTER-AIR/C	1	
17310		17310-LGC6-E0C	CANISTER COMP.	CANISTER COMP.	1	
17460		17460-LGC6-E00	VALVE COMP VAPOR CONTROL	VALVE COMP VAPOR CONTROL	1	
17686		17686-LGC6-E00	TUBE FUEL FILLER/CANISTER	TUBE FUEL FILLER/CANISTER	1	
17691		17691-LGC6-E00	TUBE ASSY	TUBE ASSY	1	
17693		17693-LGC6-E00	TUBE ASSY	TUBE ASSY	1	
90660		90660-PWA2-900	CLAMP TUBE	CLAMP TUBE	1	
95002		95002-02070	CLIP B7 TUBE	CLIP B7 TUBE	2	
95002A		95002-02080	CLIP B8 TUBE	CLIP B8 TUBE	4	

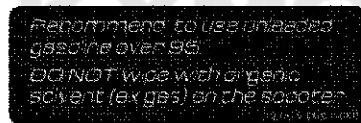




87560



87541

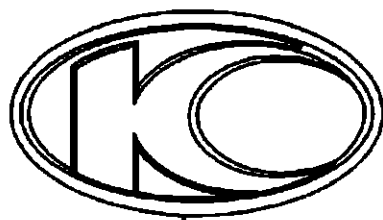


87515

Sales mark	Ref no	Part no	Description	Reg description	Regd no	F24
------------	--------	---------	-------------	-----------------	---------	------------

**	87515	87515-LGC6-E00	CAUTION LABEL	CAUTION LABEL	1	
**	87541	87541-ZZA6-E00	NOTICE MOBILE PHONE	NOTICE MOBILE PHONE	1	
**	87560	87560-LGC6-E00	MARK DRIVER CAUTION	MARK DRIVER CAUTION	1	





86102



8620A



86300



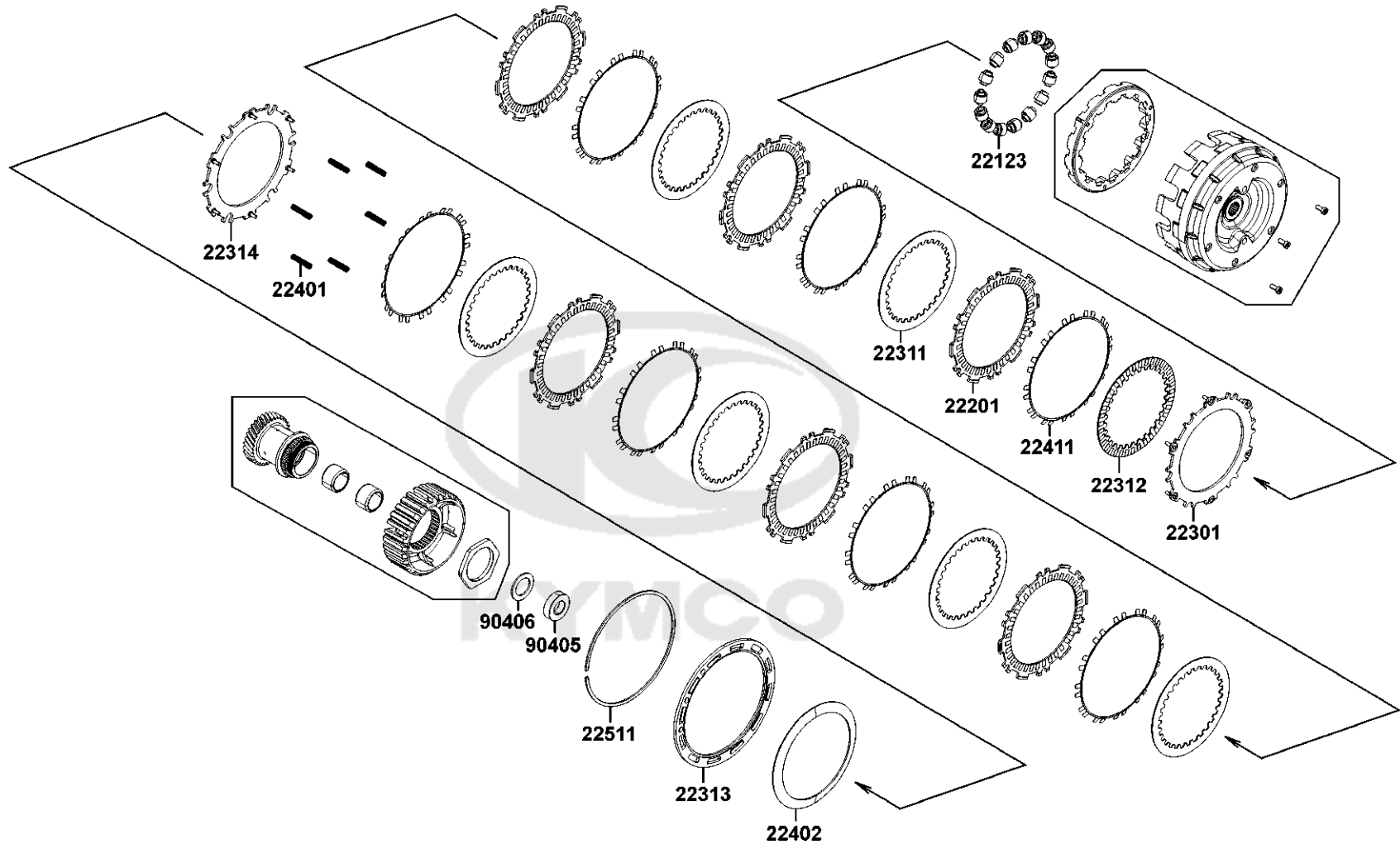
86020



86380

Sales mark	Ref no	Part no	Description	Reg description	Regd no	F25
**	86020	86020-LGC6-E00	EMB HANDLE COVER	EMB HANDLE COVER	1	
**	86102	86102-LGC6-E00	EMB K-LOGO	EMB K-LOGO	1	
**	8620A	8620A-LGC6-E00	EMB KYMCO ASSY.	EMB KYMCO ASSY.	1	
**	86300	86300-LGC6-E00	STRIPE SIDE MOLD	STRIPE SIDE MOLD	1	
**	86380	86380-LGC6-E00	EMB SIDE MOLD	EMB SIDE MOLD	1	





Sales mark	Ref no	Part no	Description	Reg description	Regd no	F26
	22123	22123-LGC6-305	ROLLER WEIGHT SET (1SET:15PCS)	ROLLER WEIGHT SET (1SET:15PCS)	1	
	22201	22201-LGC6-305	DISK SET CLUTCH FRICTION	DISK SET CLUTCH FRICTION (1SET:6PCS)	1	
	22301	22301-LGC6-E00	PLATE THRUST WEIGHT	PLATE THRUST WEIGHT	1	
	22311	22311-LGC6-305	PLATE SET CLUTCH FRICTION	PLATE SET CLUTCH FRICTION (1SET:5PCS)	1	
	22312	22312-LGC6-305	PLATE SET CLUTCH FRICTION	PLATE SET CLUTCH FRICTION (1SET:2PCS)	1	
	22313	22313-LGC6-E00-A	PRESSURE PLATE CLUTCH (zero HOLE	PRESSURE PLATE CLUTCH (zero HOLE TYPE)	1	
	22314	22314-LGC6-E00	PLATE SPRING STOPPER	PLATE SPRING STOPPER	1	
	22401	22401-LGC6-305	SPRING SET CLUTCH (1SET:6PCS)	SPRING SET CLUTCH (1SET:6PCS)	1	
	22402	22402-LGC6-E00	SPRING B CLUTCH	SPRING B CLUTCH	1	
	22411	22411-LGC6-305	SPRING A SET CLUTCH (1SET:7PCS)	SPRING A SET CLUTCH (1SET:7PCS)	1	
	22511	22511-LGC6-E00	CLIP CLUTCH	CLIP CLUTCH	1	
	90405	90405-LGC6-E00	COLLER CLUTCH	COLLER CLUTCH	1	
	90406	90406-LGC6-E00	WASHER 25X38X2	WASHER 25X38X2	1	



87546

KYMCO

Sales mark	Ref no	Part no	Description	Reg description	Regd no	F27
------------	--------	---------	-------------	-----------------	---------	------------

**	87546	87546-ADG5-E00	LABEL FUEL TANK	LABEL FUEL TANK	1	
----	-------	----------------	-----------------	-----------------	---	--



PART NO. INDEX

PART NO.	VERSION	PAGE	PART NO.	VERSION	PAGE	PART NO.	VERSION	PAGE	
11000			11592-LGC6-E00	1	E01	13221-LGC6-E00-A	3	E03	
			11593-LGC6-E00	2	E01	13221-LGC6-E00-B	3	E03	
			11630-LGC6-E00	3	E05	13221-LGC6-E00-C	3	E03	
	11108-LGC6-E00	1	F20			13221-LGC6-E00-D	3	E03	
	1110A-LGC6-E00	14	E01	12000		13221-LGC6-E00-E	3	E03	
	11205-PSA6-E00	4	E10			13314-LGC6-E00-A	4	E09	
	1121A-LGC6-E00	3	F13	12100-LGC6-E00	6	E03	13314-LGC6-E00-B	4	E09
	11300-LGC6-E00	5	E05	12191-LGC6-E00	2	E03	13314-LGC6-E00-C	4	E09
	11302-LGC6-E00	3	E05	12200-LGC6-E00	7	E02	13314-LGC6-E00-D	4	E09
	11305-LGC6-E00	3	E05	12205-LEA7-E00	0	E01	13314-LGC6-E00-E	4	E09
	11325-LGC6-E00	3	E10	12205-LEA7-E00	0	E04	13315-LGC6-E00-A	4	E09
	11325-LGC6-E01	2	E10	12208-LGC6-E00	0	E02	13315-LGC6-E00-B	4	E09
	11325-LGC6-E02	1	E10	12209-LEA3-900	0	E02	13315-LGC6-E00-C	4	E09
	1133A-LGC6-E00	1	E05	12211-LGC6-E00	3	E02	13315-LGC6-E00-D	4	E09
	11340-LGC6-305	0	E04	12251-LGC6-E00	2	E02	13315-LGC6-E00-E	4	E09
	11347-LKF5-E00	1	E07	1231A-LGC6-E00	1	E02	13323-PRB9-E00-0A	3	E09
	1134B-LGC6-E00	3	E05	12391-LGC6-E00	0	E02	13323-PRB9-E00-0B	3	E09
	11350-LGC6-E00	2	E05				13341-LGC6-E00	3	E04
	11384-LEA7-E05	2	E02	13000			13341-LGC6-E00	3	E10
	11384-LGC6-E00	4	E04				1341A-LGC6-E00	5	E09
11384-LGC6-E01	0	E05	1300A-LGC6-E00	9	E09	1342A-LGC6-E00	5	E09	
11384-LGC6-E01	0	E10	13011-LGC6-E00	0	E03				
11384-LGC6-E02	0	E02	13101-LGC6-E02	6	E03	14000			
11384-LGC6-E03	0	E03	13111-LGC6-E00	3	E03				
11385-LGC6-E00	1	E08	13210-LGC6-E00-1	3	E03	14100-LGC6-E00	5	E02	
11394-LGC6-E00	3	E05	13210-LGC6-E00-2	3	E03	14200-LGC6-E00	1	E02	

PART NO. INDEX

PART NO.	VERSION	PAGE	PART NO.	VERSION	PAGE	PART NO.	VERSION	PAGE
14401-LGC6-E00	0	E03	14773-LGC6-E00-13	0	E02	1541A-LGC6-E00	0	E01
14510-LGC6-E00	3	E03	14773-LGC6-E00-14	0	E02	15421-PRA1-E00	5	E01
14523-KKE5-E01	4	E03	14773-LGC6-E00-15	0	E02	1565A-LGC6-E00	1	E10
14524-KKE5-E01	1	E03	14773-LGC6-E00-16	0	E02	1565A-LGC6-E01	1	E10
1452A-ZPA3-E00	0	E03	14773-LGC6-E00-17	0	E02	15700-LGC6-E00	0	E01
14531-KHE7-900	1	E03	14773-LGC6-E00-18	0	E02	15772-5L00-013	1	F23
14546-LGC6-E00	1	E02	14773-LGC6-E00-19	0	E02			
14550-KKE5-E02	1	E03	14777-LGC6-E00	1	E02	16000		
14610-LGC6-E00	2	E03	14781-LGC6-C00	0	E02			
14711-LGC6-E00	1	E02				16100-LGC6-E00	6	E06
14721-LGC6-E00	1	E02	15000			1611A-LGC6-E00	1	E06
14731-LGC6-E00	3	E02				16703-LHJ8-800	1	F10
14751-LGC6-E00	4	E02	15100-LGC6-E00	5	E08			
14771-LGC6-C00	0	E02	15133-LGC6-E00	1	E08	17000		
14773-LGC6-E00-01	0	E02	15141-GFY6-90C	1	E08			
14773-LGC6-E00-02	0	E02	15161-LGC6-E00	1	E01	1711A-LGC6-E00	4	E02
14773-LGC6-E00-03	0	E02	15161-LGC6-E00	1	E10	17121-LGC6-E00	3	F13
14773-LGC6-E00-04	0	E02	15164-LGC6-E00	2	E01	17122-LGC6-E00	3	F13
14773-LGC6-E00-05	0	E02	1516A-LGC6-E00	0	E01	17123-LGC6-E00	1	F13
14773-LGC6-E00-06	0	E02	1516A-LGC6-E00	0	E10	17124-LGC6-E00	1	F13
14773-LGC6-E00-07	0	E02	15210-PUA5-E00	8	E01	17125-LGC6-E00	0	F13
14773-LGC6-E00-08	0	E02	15211-LGC6-E00	2	E01	17126-LGC6-E00	0	F13
14773-LGC6-E00-09	0	E02	15214-PUA5-E00	8	E01	17206-LGC6-305	0	F13
14773-LGC6-E00-10	0	E02	15216-LGC6-E00	1	E01	17207-LGC6-E00	1	F13
14773-LGC6-E00-11	0	E02	15333-LEH6-E00	2	E08	17211-LGC6-E00	1	F13
14773-LGC6-E00-12	0	E02	15334-LEH6-E00	2	E08	17225-LGC6-E00	0	F13

PART NO. INDEX

PART NO.	VERSION	PAGE	PART NO.	VERSION	PAGE	PART NO.	VERSION	PAGE
17226-LGC6-E00	0	F13	17585-LGC6-E00	0	F10	18310-LGC6-E00	8	F14
17254-KACA-P00	0	F13	17586-LGC6-E00	0	F10	18318-LGC6-E00	1	F14
17292-PWB1-900	1	F13	17587-LGC6-E00	0	F10	18319-LGC6-E00	1	F14
17301-LEA7-M31	0	F23	17588-LGC6-E00	0	F10	1832A-LGC6-E00	7	F14
17306-LGC6-E00	0	F23	17591-LGC6-E00	1	F10	18371-LBA2-E00	2	F14
17307-LGC6-E00	1	E06	17592-LGC6-E00	1	F10	18391-LBA2-E00	1	F14
17308-LGC6-E00	1	F13	17620-LGC6-E00	2	F10			
17310-LGC6-E0C	0	F23	17685-GLE0-301	2	E06	19000		
17359-4K19-671	0	F13	17685-KZCZ-900	0	F12			
17359-LGC6-E00	0	F13	17685-LGC6-E00	3	F10	19010-LGC6-E00	0	F21
17371-1D74-671	0	F13	17686-LGC6-E00	0	F23	19012-LEA7-E05	1	F21
17460-LGC6-E00	0	F23	17691-LGC6-E00	1	F23	19013-LGC6-E00	1	F21
17500-LGC6-E00	3	F10	17693-LGC6-E00	0	F23	19014-LGC6-E00	2	F21
17511-LGC6-E00	1	F10	17801-LGC6-E00	2	E06	19015-LBA2-E00	0	F21
17512-LGC6-E00	1	F10	17802-LGC6-E00	0	E06	19016-LGC6-E00	1	F21
17520-LGC6-E00	1	F19	17810-LGC6-E00	3	E02	19018-LGC6-E00	1	F21
1752A-LGC6-E00	1	F19	17910-LGC6-E00	1	F03	19019-LGC6-E00	3	F21
17530-KGB5-900	1	F12	17911-LGC6-E00	1	F03	19020-LBA2-E00	0	F21
17550-LGC6-E00	3	F10				19025-LGC6-E00	0	F21
17553-LGC6-E00	0	F10	18000			19026-LKF5-E00	0	F21
17559-LGC6-E00	3	F10				19027-LKF5-E00	0	F21
17561-LKB9-900	1	F10	18291-LKG2-90A	1	F14	19030-LDB5-E00	2	F21
17562-LGC6-E00	0	F10	18291-PWB1-900	4	F14	19101-LGC6-E00	0	F21
17581-LGC6-E00	0	F10	18293-LHJ8-900	2	F14	19104-ACD5-E00	0	F21
17583-LGC6-E00	0	F10	18306-LGC6-E00	1	F14	19105-LGC6-E00	3	F21
17584-LGC6-E00	0	F10	1830A-LGC6-E00	9	F14	19111-PRB3-900	2	F21

PART NO. INDEX

PART NO.	VERSION	PAGE	PART NO.	VERSION	PAGE	PART NO.	VERSION	PAGE
19120-LGC6-E00	2	F21				23100-LGC6-E00	2	E07
19210-KKC4-900	0	F21	22000			23200-LGC6-E00	3	E07
19217-LGC6-E00	2	E04				23215-LGC6-E00	5	E05
19217-PRB9-E01	2	E04	22102-LGC6-E00	1	E07	23220-LGC6-E00	7	E07
19220-LGC6-E00	5	E04	22105-LGC6-E00	4	E07	23225-LKF5-E00	2	E07
19229-LGC6-E00	0	E04	2210B-LGC6-E00	7	E05	23233-LGC6-E00	0	E07
19230-LGC6-E00	4	E04	22110-LGC6-E00	7	E07	23237-LGC6-E00	0	E07
19300-LBA2-E00	1	E02	22121-LGC6-305	0	E07	23238-LDB5-E00	1	E07
19317-LBA2-E00	1	E02	22123-LGC6-305	0	F26	23420-LGC6-E00	1	E05
1931A-LGC6-E00	4	E02	22131-LGC6-E00	5	E07	23430-LGC6-E00	0	E05
19320-KED9-90A	1	E02	22132-ADG5-305	0	E07	23432-LGC6-E00	4	E05
19501-LGC6-E00	4	E03	22132-LGC6-305	0	E07	23800-LGC6-E00	16	F16
19502-LGC6-E00	4	E04	22201-LGC6-305	0	F26	23800-LGC6-E02	6	F16
19504-LBA2-E00	3	E03	22301-LGC6-E00	4	F26			
19504-LBA2-E00	3	E04	22311-LGC6-305	0	F26	28000		
19505-LBA2-E00	4	F21	22312-LGC6-305	0	F26			
19505-LBC6-900	0	F13	22313-LGC6-E00-A	4	F26	28102-LEA7-E00	3	E08
19507-LDB5-E00	1	F21	22314-LGC6-E00	4	F26	28110-LGC6-E00	1	E08
21000			22401-LGC6-305	0	F26	28120-LGC6-E00	1	E08
21100-LGC6-E00	7	E05	22402-LGC6-E00	5	F26	28130-LGC6-E00	2	E08
21200-LGC6-305	0	E10	22411-LGC6-305	0	F26			
21200-LGC6-306	0	E10	22511-LGC6-E00	2	F26	30000		
21300-LGC6-305	0	E10						
21395-LGC6-E00	3	E10	23000			3051A-LGC6-E00	3	E02
			23010-LGC6-E00	9	E07			

PART NO. INDEX

PART NO.	VERSION	PAGE	PART NO.	VERSION	PAGE	PART NO.	VERSION	PAGE
31000			32412-LGC6-E01	5	E08	34000		
31110-LGC6-E00	1	E08	33000			34300-LKM8-E00	3	E06
31120-LGC6-E00	1	E08	33100-LGC6-E00	0	F01	34301-KKE3-900	2	E06
31129-LGC6-E00	3	E08	33101-LGC6-305	0	F01			
31210-LGC6-E00	1	E08	33107-LGC6-E00	0	F01	35000		
31340-LEA7-E00	3	F19	33108-LGC6-E00	0	F01			
31500-LGC6-E00	0	F11	33109-LGC6-E00	0	F01	35101-LGC6-315	0	F19
31500-LGC6-E01	1	F11	33111-LGC6-E00	0	F01	35102-LGC6-315	0	F19
31600-LKF5-E00	0	F19	33130-LGC6-E00	0	F01	3515A-LGC6-E00	5	F03
31700-KEC8-E00	1	F19	33400-LGC6-E00	0	F17	3520A-LGC6-E00	4	F03
31959-LGC6-E00	2	F19	33450-LGC6-E00	0	F17	35340-KFLF-900	2	F03
3195A-LBA7-E00	1	F19	33700-LGC6-E00	4	F18	35340-LGC6-E00	0	F04
			33701-LGC6-305	0	F18	35350-LGC6-E00	0	F04
32000			33706-LGC6-E00	0	F18	35370-ZZA6-E00	0	F15
32100-LGC6-910	1	F19	33711-LGC6-E00	0	F18	35380-LEA2-900	2	F19
32100-LGC6-E01	2	F19	33720-LGC6-305	0	F18	35390-LHG7-E00	4	F12
32101-LGC6-E00	1	E02	33727-LGC6-E00	0	F18	35500-KED9-900	6	E01
32102-LGC6-E01	0	E08	33731-LHJ8-900	2	F06	35850-LGC6-E00	0	F19
32103-LGC6-E01	7	F03	33734-LGC6-E00	2	F06	35852-LGC6-E00	0	F19
32103-LGC6-E02	3	F03	33739-LGC6-E00	2	F06			
32105-LLJ3-E00	2	E01	33741-ACH7-900	0	F18	36000		
32410-LGC6-E00	0	E08	33900-LGC6-E00	0	F12			
32411-LGC6-E00	0	F11				3650A-LGC6-E00	0	F19

PART NO. INDEX

PART NO.	VERSION	PAGE	PART NO.	VERSION	PAGE	PART NO.	VERSION	PAGE
37000			39000			40530-LGC6-E00	0	F08
37130-LGC6-E01	0	F02	39100-LGC6-E00	0	F19	40543-LGC6-E00	2	F08
37130-LGC6-E80	3	F02	3920A-LGC6-E01	3	F19	40553-LGC6-E00	2	F08
37200-LGC6-305	0	F02	39300-KKE5-800	2	E02	40613-LGC6-E00	0	F16
37200-LGC6-E80	0	F02	39400-LEA6-800	2	E02	41000		
3720A-LGC6-E01	3	F02	39450-ZVA6-M00	0	F14	41201-LGC6-E00	7	F08
37211-LGC6-E00	0	F02	39500-AAC9-900	1	E06	41202-LGC6-E00	6	F08
37215-LHJ3-900	1	F05	39500-AAC9-900	1	F13	42000		
37800-LGC6-E00	0	F10	39600-ACH6-900	0	F10	42301-LGC6-E00	3	F08
38000			39650-LGC6-E00	5	F19	42312-LGC6-E00	6	F08
38110-KKC3-90A	1	F19	39660-LGC6-E00	0	F07	42313-LGC6-E00	2	F08
38300-KKE5-E00	2	F19	39660-LGC6-E00	0	F08	42600-LGC6-305	0	F08
38500-LGL3-90A	5	F19	3970A-LGC6-E00	3	F13	42620-LGC6-E00	0	F08
38601-LGC6-E00	0	F19	40000			42710-LGC6-E00	0	F08
3860A-LGC6-E00	2	F19	40510-LGC6-E00	5	F16	43000		
38620-LGC6-E00	3	F19	40511-LGC6-E00	1	F16	43100-LGC6-E00	8	F08
38621-LGC6-E00	6	F19	40511-LGC6-E01	2	F16	43100-LGC6-E01	4	F08
38704-LGC6-E00	0	F19	40512-LGC6-E00	0	F16	43105-LGC6-305	0	F08
3870A-LGC6-E00	4	F19	40513-LGC6-E00	0	F16	43109-LGC6-E00	3	F08
38900-ACD5-E00	7	F19	40520-LGC6-E00	1	F16	43110-LGC6-E00	5	F08
			40521-LGC6-E00	1	F16			
			40522-LGC6-E00	0	F16			

PART NO. INDEX

PART NO.	VERSION	PAGE	PART NO.	VERSION	PAGE	PART NO.	VERSION	PAGE	
43113-LBA2-E00	0	F08	45105-LGC6-305	0	F07	50000			
43126-LGC6-E00	7	F04	45108-LGC6-305	0	F07				
43127-LGC6-E00	1	F04	45126-LGC6-E00	1	F04				
43156-LGC6-E00	0	F08	45127-LGC6-E00	1	F04		50127-LGC6-E00	0	F20
43210-LGC6-305	0	F08	45129-LGC6-E00	0	F19		50128-LGC6-E00	0	F20
43215-LGC6-E00	0	F08	4512A-LGC6-E00	6	F07		5013A-LGC6-E00	8	F20
43351-LGC6-E00	3	F08	4512A-LGC6-E01	2	F07		50143-LGC6-E00	1	F21
43351-LGC6-E01	3	F08	45131-LDH1-E00	0	F08		50144-LGC6-E00	2	F21
43352-LGC6-E00	0	F08	45132-LDH1-E00	0	F08		50145-LGC6-E00	0	F20
4335A-LGC6-E00	0	F04	45134-KED9-900	0	F08		50146-LGC6-E00	1	F20
43450-LGC6-E00	11	F03	45135-KED9-900	0	F08		50149-LGC6-E00	1	F10
43500-LGC6-E00	1	F04	45200-LGC6-E00	0	F07		50150-LGC6-E00	0	F20
43513-LGC6-E00	0	F04	45209-LGC6-E00	3	F08		50181-LGC6-E00	4	F19
43521-LGC6-E00	0	F04	45352-LKF5-E00	0	F07		50182-LGC6-E00	0	F21
44000			45500-LGC6-E00	1	F04	50185-LGC6-E00	0	F20	
			45513-LGC6-E00	0	F04	50186-LGC6-E00	2	F20	
			45517-LGC6-E00	0	F04	50187-LGC6-E00	4	F20	
44301-LGC6-E00	3	F07	45521-LGC6-E00	0	F04	50189-LGC6-E00	4	F20	
44312-LBA2-E00	2	F07				50191-LGC6-E00	0	F20	
44600-LGC6-305	0	F07	49000			50192-LGC6-E00	0	F20	
44620-LGC6-E00	0	F07				50193-LGC6-E00	1	F20	
44710-LGC6-E00	0	F07	49100-LGC6-E00	0	F04	50194-LGC6-E00	0	F20	
45000			49110-LGC6-E00	1	F04	50306-1F96-001	0	F06	
			49211-LFH1-E00	1	F04	50325-LGC6-E00	1	F11	
45100-LGC6-E00	0	F07				50326-LGC6-E00	1	F11	
						50329-LGC6-E00	0	F11	

PART NO. INDEX

PART NO.	VERSION	PAGE	PART NO.	VERSION	PAGE	PART NO.	VERSION	PAGE
50330-LKF5-E00	1	F19	5072A-LGC6-E00	6	F20	52130-LGC6-E00	5	F16
50500-LGC6-E00	2	F15	51000			52132-LGC6-E00	2	F16
50501-LGC6-E00	0	F15				52133-LGC6-E00	4	F16
50502-GFY6-901	3	F15				52134-LGC6-E00	2	F16
50504-LGC6-E00	1	F16		51400-LGC6-E00	5	F06	52400-LGC6-E00	7
50505-LEA7-E00	1	F15	51421-LGC6-E00	4	F06	52415-LGC6-E00	0	F16
50505-LKB9-900	1	F15	51423-KED9-900	0	F22	53000		
50506-KHE7-E00	0	F15	51424-KED9-900	0	F22			
50530-LGC6-E00	5	F15	51427-KED9-900	0	F22			
50531-LGC6-E00	2	F15	51427-LGC6-E00	0	F22		53100-LGC6-E00	7
50532-LGC6-E00	3	F15	51427-LGC6-E02	0	F22	53105-LGC6-E00	2	F03
50550-KKC2-E00	0	F15	51428-KED9-900	0	F22	53109-LGC6-E00	0	F03
50604-LGC6-E00	2	F07	51430-ACD5-E00	0	F08	53165-LGC6-E00	8	F03
50611-LGC6-E00	1	F21	51430-LGC6-E00	0	F22	53165-LGC6-E01	4	F03
50612-LGC6-E00	1	F21	51431-KED9-900	0	F22	53166-LGC6-E00	8	F03
50613-LGC6-E00	0	F21	51431-LGC6-E00	0	F22	53166-LGC6-E01	6	F03
50615-LGC6-E00	1	F21	51432-LGC6-E00	0	F22	53175-LGC6-E00	0	F04
50616-LGC6-E00	1	F21	51500-LGC6-E00	6	F06	53178-LGC6-E00	0	F04
50617-LGC6-E00	5	F20	51521-LGC6-E00	4	F06	53190-LGC6-E00	0	F03
50618-LGC6-E00	5	F20	52000			53194-LGC6-E00	0	F03
50710-LGC6-E00	2	F20				53195-LGC6-E00	0	F03
50713-KEB7-900	0	F20				53200-LGC6-E00	4	F06
50715-KKAK-900	0	F20		52100-LGC6-E00	3	F16	53203-LGC6-E00	0
50719-LGC6-E00	3	F20	52100-LGC6-E01	4	F16	53204-LGC6-E00	4	F03
5071A-LGC6-E00	7	F20	52120-LGC6-E00	2	F16	53205-LGC6-E00	2	F03
50720-LGC6-E00	2	F20	52120-LGC6-E01	3	F16	53206-LGC6-E00	2	F03

PART NO. INDEX

PART NO.	VERSION	PAGE	PART NO.	VERSION	PAGE	PART NO.	VERSION	PAGE
5320C-LGC6-E00	3	F03	64222-LLJ3-E00	1	F03	77206-KGBG-900	1	F09
53213-LBA2-E00	2	F06	64222-LLJ3-E00	1	F06	77206-LKB9-900	1	F09
53214-LBA2-E00	2	F06	6422A-LGC6-E00	4	F03	77210-LGC6-E00	0	F09
53214-LGC6-E00	0	F05	64230-LGC6-E00	1	F03	77230-LGC6-E00	0	F19
53220-LGC6-E00	3	F06	64240-LGC6-E00	3	F03	77235-LGC6-E00	4	F10
53224-LGC6-E00	0	F05	64301-LGC6-E00	0	F05	77240-LGC6-E00	0	F10
5323A-LGC6-E00	6	F06	64302-LGC6-E00	0	F05	77240-LGC6-E01	1	F19
53240-LEA7-90A	2	F06	64303-LGC6-E00	0	F05	77241-LGC6-E00	8	F10
53250-LEA7-90A	2	F06	64305-LGC6-E00	0	F05	77300-LGC6-E00	0	F09
			64306-LGC6-E00	0	F05	77303-LHJ8-900	0	F09
61000			64310-LGC6-E00	0	F05	7731A-LGC6-E00	2	F09
			64311-LGC6-E00	0	F05			
61100-LGC6-E00	1	F06	64315-LGC6-E00	9	F20	80000		
61101-LGC6-E00	1	F06	64317-LGC6-E00	2	F20			
61102-LGC6-E00	1	F06	64320-LGC6-E00	0	F05	80100-LGC6-E00	3	F18
6111A-LGC6-E00	2	F05	64330-LGC6-E00	0	F05	80105-LGC6-E00	1	F18
			64340-LGC6-E00	0	F05	80106-LGC6-E00	0	F18
64000			64350-LGC6-E00	0	F05	80107-LGC6-E00	1	F18
			64360-LGC6-E00	0	F05	8010B-LGC6-E00	2	F18
64101-LGC6-E00	0	F05	64370-LGC6-E00	0	F05	80143-LGC6-E00	0	F12
64130-LGC6-E00	1	F03	64380-LGC6-E00	0	F05	80152-LGC6-E00	0	F12
64140-LGC6-E00	3	F03	64400-LGC6-E00	0	F05	8015B-LGC6-E00	4	F05
64201-LGC6-E00	0	F05				8015C-LGC6-E00	3	F12
64206-MLJ0-001	1	F16	77000			80161-LGC6-E00	3	F05
64211-LGC6-E00	0	F05						
64222-KKC4-900	3	F03	77200-LGC6-309	0	F09			

PART NO. INDEX

PART NO.	VERSION	PAGE	PART NO.	VERSION	PAGE	PART NO.	VERSION	PAGE
81000			83501-LGC6-E00	0	F12			
			83510-LGC6-E00	0	F05	86000		
			83511-LGC6-E00	0	F05			
81122-LGC6-E00	5	F05	83520-LGC6-E00	0	F12	86020-LGC6-E00	0	F25
81123-LGC6-E00	0	F05	83521-LGC6-E00	0	F12	86102-LGC6-E00	3	F25
81124-LGC6-E00	0	F05	83530-LGC6-E00	0	F12	8620A-LGC6-E00	0	F25
81130-LGC6-E00	0	F05	83532-LGC6-E00	0	F12	86300-LGC6-E00	4	F25
81131-LGC6-E00	7	F05	83533-LGC6-E00	0	F12	86380-LGC6-E00	0	F25
81132-LGC6-E00	5	F05	8353A-LGC6-E00	1	F12			
81133-LGC6-E00	0	F05	83550-KEC8-900	4	F06	87000		
81134-LGC6-E00	0	F05	83551-KEC8-900	4	F06			
81136-ACD5-E00	1	F05	83551-LGC6-E00	0	F05	87515-LGC6-E00	1	F24
81136-LEA7-E00	2	F05	83600-LGC6-E00	3	F12	87541-ZZA6-E00	0	F24
81137-LGC6-E00	4	F12	83601-LGC6-E00	0	F12	87546-ADG5-E00	0	F27
81138-LGC6-E00	2	F10	83610-LGC6-E00	0	F05	87560-LGC6-E00	1	F24
81151-LGC6-E00	0	F05	83611-LGC6-E00	0	F05			
8116A-LGC6-E00	0	F05	83620-LGC6-E00	0	F12	88000		
8117A-LGC6-E00	0	F05	83621-LGC6-E00	0	F12			
81200-LGC6-E00	6	F12	83622-KED9-900	0	F09	88110-LGC6-E00	0	F03
81210-LGC6-E00	6	F12	83630-LGC6-E00	0	F12	88120-LGC6-E00	0	F03
81255-LGC6-E00	0	F12	83632-LGC6-E00	0	F12			
81260-LGC6-E00	5	F12	83633-LGC6-E00	0	F12	89000		
			8363A-LGC6-E00	1	F12			
83000			83750-LGC6-E00	0	F12	89010-LGC6-E00	0	F09
			83751-LGC6-E00	1	F12	89020-KKC4-900	1	F09
83500-LGC6-E00	1	F12						

PART NO. INDEX

PART NO.	VERSION	PAGE	PART NO.	VERSION	PAGE	PART NO.	VERSION	PAGE	
90000			90108-LGC6-E00	1	F15	90302-LLB1-E00	2	F10	
			90110-KED9-900	2	F16	90302-LLB1-E00	2	F19	
			90111-LEB1-900	1	F18	90302-SDA4-004	3	F03	
	90001-GBHB-661	3	F20	90111-LEC8-E00	1	F18	90302-SDA4-004	3	F05
	90004-LGC6-E00	1	E05	90111-LGC6-E01	1	F03	90302-SDA4-004	3	F12
	90005-KKE5-E00	4	E03	90111-LGC6-E01	1	F12	90302-SDA4-004	3	F18
	90005-LEH6-E00	3	E03	90112-KNBN-901	1	F02	90304-KKE5-E00	1	F06
	90007-LGC6-E00	0	E02	90113-LGC6-E00	0	F04	90304-LEA1-900	1	F03
	90010-KKE5-E01	4	E10	90113-LGE5-E01	0	F04	90304-LEA1-900	1	F15
	90018-KKE5-E00	2	E02	90121-LGC6-E00	0	F15	90304-LEA1-900	1	F16
	90027-PUA5-E00	9	E02	90122-LKF5-E00	1	F07	90304-LEA1-900	1	F20
	90033-KGB4-C00	2	E02	90123-LGC6-E00	0	F15	90304-LGC6-E00	1	F14
	90033-LGC6-E00	0	E01	90125-LGC6-E00	0	F20	90305-KNBN-90A	0	F16
	90084-4H28-001	1	E04	90145-LFH1-E00	1	F04	90305-LBA2-E00	1	F06
	90084-KGG7-C00	0	E04	90201-KHR8-75A	1	E09	90306-LBA2-900	1	F08
	90084-KKE5-E00	5	E05	90201-LGC6-E00	2	F16	90306-LFE2-900	1	F20
	90084-KKE5-E00	5	E10	90202-LDB5-E00	3	E07	90309-GLW0-90A	1	F16
	90101-KGC4-E00	1	F09	90204-LGC6-E00	0	E05	90311-PWB1-900	0	E05
	90101-LEA7-E00	1	F14	90215-KKC4-900	2	F20	90312-GLF0-001	0	F03
	90101-LGC6-E00	1	F16	90301-6D34-671	1	F01	90312-LLJ3-E00	1	F03
90102-LGC6-E00	0	F16	90301-6D34-671	1	F10	90312-LLJ3-E00	1	F06	
90105-KCR3-001	1	F07	90301-6D34-671	1	F19	90312-PWB1-900	0	E05	
90105-KCR3-001	1	F08	90301-6D34-671	1	F21	90313-PWB1-900	0	E05	
90105-KFC2-900	0	F03	90301-GFY6-901	2	F14	90314-PWB1-900	0	E05	
90105-LGC6-E00	2	F12	90302-GFY6-940	2	F10	90315-PWB1-900	0	E05	
90107-LEA7-E00	4	F06	90302-GFY6-940	2	F19	90316-PWB1-900	0	E05	

PART NO. INDEX

PART NO.	VERSION	PAGE	PART NO.	VERSION	PAGE	PART NO.	VERSION	PAGE
90317-PWB1-900	0	E05	90503-0A51-870	0	F16	90660-PWA2-900	1	F03
90318-PWB1-900	0	E05	90503-KKE5-E00	1	F06	90660-PWA2-900	1	F23
90319-PWB1-900	0	E05	90503-LEA7-E00	2	F06	90677-GAR1-004	2	F11
90320-PWB1-900	0	E05	90525-KED9-900	2	E01	90805-LGC6-E00	3	E01
90321-PWB1-900	0	E05	90525-KED9-900	2	E03			
90322-PWB1-900	3	E05	90541-PUA5-E00	4	E02	91000		
90323-PWB1-900	0	E05	90544-KEC8-900	0	F22			
90324-PWB1-900	0	E05	90545-3L00-001	2	F04	91201-LGC6-E00	1	E05
90401-KKJ9-001	0	E09	90622-LHJ8-900	1	F19	91201-LKF5-E00	1	E09
90403-LGC6-E00	1	E05	90651-ALH3-700	0	F19	91202-KGB4-C00	1	E04
90405-LGC6-E00	4	F26	90652-GFY6-901	1	E02	91202-LGC6-E00	3	E05
90406-LGC6-E00	3	F26	90652-KHE7-900	0	F13	91202-LKG2-900	1	E04
90412-3K29-001	0	E08	90652-LCA4-E00	6	F01	91205-LGC6-E00	1	E05
90412-PUA5-E00	4	E01	90652-LCA4-E00	6	F03	91211-LGC6-E00	0	E07
90441-LKF5-E00	0	E05	90652-LCA4-E00	6	F05	91252-LGC6-E00	2	E10
90442-0H28-001	0	E01	90652-LCA4-E00	6	F12	91252-LGC6-E00	2	F16
90442-LGC6-E00	1	E01	90652-LFB5-900	3	F05	91254-LGC6-E00	1	F08
90452-LBA7-900	1	E05	90652-LFB5-900	3	F21	91257-KED9-900	2	F07
90459-LKF5-E00	0	E04	90652-LGC6-E00	0	F03	91257-LGC6-E00	0	F16
90463-PUA5-E00	4	E10	90653-LGC6-E00	3	F05	91301-0H28-001	0	F16
90465-PUA5-E00	5	E01	90653-LKB9-900	1	F12	91301-LGC6-E00	2	E01
90478-7L00-001	0	E02	90656-KCBC-900	0	F03	91301-LGC6-E00	2	E05
90478-7L00-001	0	E04	90656-KCBC-900	0	F19	91302-KKE5-800	1	E02
90501-KNBN-901	0	F16	90656-KUDU-900	0	F19	91302-LDB2-E00	1	E02
90501-LEH6-E00	0	E03	90656-ZVA6-M00	0	F19	91302-PRA1-E00	3	E01
90503-0A51-870	0	F06	90660-LGC6-E00	0	F13	91303-3G77-001	0	E04

PART NO. INDEX

PART NO.	VERSION	PAGE	PART NO.	VERSION	PAGE	PART NO.	VERSION	PAGE
91303-PUA5-E00	3	E08	93404-06012-06	1	F03	93903-34360	0	F09
91304-LFA7-E00	3	E01	93404-06012-06	1	F05	93903-34360	0	F13
91304-LGC6-E00	4	E05	93404-06012-06	1	F12	93903-35260	0	F01
91305-LEH6-E00	0	E01	93404-06012-06	1	F16	93903-35260	0	F17
91305-LEH6-E00	0	E03	93404-06012-06	1	F18	93903-GFY6-900	1	F05
91305-LEH6-E00	0	E10	93404-06012-06	1	F21	93903-GFY6-900	1	F12
91306-PUA5-E00	3	E01	93404-06016-06	1	F03	93903-GFY6-900	1	F18
91306-PUA5-E00	3	E10	93404-06016-06	1	F11	93903-LGC6-E01	0	F03
91307-0E35-001	1	E10	93404-06016-06	1	F15	93903-LGC6-E01	0	F18
91308-LGC6-E00	3	E01	93404-06016-06	1	F21	93903-LHJ8-900	1	F02
91311-PRA1-E00	3	E01	93404-06025-06	0	F21	93903-LHJ8-910	1	F02
91316-PRA1-E00	3	E01	93500-KHC4-90A	0	F19			
91351-LDB5-E00	1	E07	93500-LGC6-E00	0	F19	94000		
91507-LKE6-900	1	F19	93891-05012-06	0	F11			
91552-LEH6-E00	0	E03	93891-05016-06	0	E06	94001-LGC6-E00	0	E07
91552-LGC6-E00	0	E01	93903-14460	0	F05	94050-06060	1	E05
91552-LGC6-E00	0	E05	93903-14460	0	F12	94050-06060	1	F04
92000			93903-24360	0	F03	94050-06060	1	F06
			93903-24360	0	F05	94050-06060	1	F09
			93903-24360	0	F06	94050-06060	1	F19
92000-05016-0G	0	E08	93903-24360	0	F12	94050-06080	2	F09
92101-LGC6-E00	2	F16	93903-24360	0	F16	94050-08020	0	F16
93000			93903-24360	0	F18	94050-08060	0	F19
			93903-24360	0	F21	94050-10060	0	E01
			93903-25460	0	F13	94050-LHJ3-900	0	F18
93401-06020-07	0	F15	93903-34360	0	F05	94050-LKF5-E00	1	E07

PART NO. INDEX

PART NO.	VERSION	PAGE	PART NO.	VERSION	PAGE	PART NO.	VERSION	PAGE
94101-06000	0	F20	94510-25000	0	E05	95014-PRB3-900	0	F19
94101-06200	1	F14	94520-32180	0	E04	95701-06012-06	1	F03
94101-08600	0	F15	94520-32180	0	E10	95701-06012-06	1	F10
94101-10000	0	F03	94520-42000	2	E05	95701-06012-06	1	F19
94101-10000	0	F15	94591-KFBF-900	2	F21	95701-06012-06	1	F20
94101-12000	0	F03	94591-LGC6-E00	0	F20	95701-06012-06	1	F21
94101-LDB5-E00	0	F14	94591-LLB1-900	0	F21	95701-06016-06	1	F20
94101-LEA2-900	0	F14	94601-17000	0	E03	95701-06020-06	1	F03
94101-LGC6-E00	0	F08	94605-LGC6-E00	0	F22	95701-06020-06	1	F04
94102-08000	5	F03				95701-06020-06	1	F13
94102-LGC6-E00	3	E04	95000			95701-06040-06	0	F06
94111-06800	0	E02				95701-08012-06	0	F19
94111-ACD5-E00	1	F14	95002-02070	2	E06	95701-08016-06	0	F03
94201-20180	0	F15	95002-02070	2	F23	95701-08016-06	0	F06
94201-20180	0	F20	95002-02080	0	F12	95701-08016-06	0	F09
94301-08140	4	E01	95002-02080	0	F13	95701-08016-06	0	F10
94301-08140	4	E02	95002-02080	0	F23	95701-08016-06	0	F20
94301-08140	4	E05	95002-02110	0	F13	95701-08020-06	1	F20
94301-08140	4	E10	95002-40850-08G	0	F13	95701-08025-06	0	E05
94301-10160	0	F16	95002-41100-08	0	F13	95701-08025-06	0	F20
94301-10200	2	E05	95002-41250-00	0	F13	95701-08025-06	0	F21
94301-12200	1	E02	95002-KED9-M30	1	F13	95701-LEA5-E00	1	F19
94301-12200	1	F16	95002-LHG8-E00	1	F13	95709-PRA1-E00	4	E05
94302-10160	0	F15	95002-LKF5-E00	2	F13	95801-08090-06	0	E01
94510-10000	0	E08	95003-23004-60	0	F13	95801-08090-06	0	F16
94510-12000	0	E04	95014-72204	0	F15	95801-10030-06	0	F08

PART NO. INDEX

PART NO.	VERSION	PAGE	PART NO.	VERSION	PAGE	PART NO.	VERSION	PAGE
95801-10030-06	0	F15	96001-06055-06	0	E01	96100-62050-00	2	E05
95801-10055-06	0	F20	96001-06060-06	0	F04	96100-62050-00	2	E10
95801-10060-06	0	F16	96001-06090-06	2	E01	96100-62060-00	2	E05
95801-10065-06	0	F15	96001-06130-06	1	E02	96100-63020-00	0	E05
95801-10065-06	0	F20	96001-LAB4-900	3	F13	96100-63040-00	1	E05
95801-10120-06	0	F16	96005-PRA1-E00	2	E01	96100-LGC6-E00	0	F16
95801-12295-06	1	F20	96005-PRA1-E00	2	E02	96140-62010	0	E10
95801-LEA1-900	1	F08	96008-PRA1-E00	2	E02	96150-60040-10	0	F07
			96008-PRA1-E00	2	E04	96150-60060-10	0	E05
96000			96011-PRA1-E00	2	E10	96150-62060-10	0	F16
			96012-PRA1-E00	2	E05	96150-LGC6-E00	0	F08
96001-06010-06	0	E02	96013-LGC6-E00	0	E04	96211-08000	19	F20
96001-06010-06	0	E04	96014-PRA1-E00	2	E02	96211-16000	2	E01
96001-06012-06	0	E05	96015-PRA1-E00	2	E04	96220-40158	1	E08
96001-06012-06	0	F08	96018-PRA1-E00	2	E05	96600-06015-10	4	E08
96001-06012-06	0	F13	96023-PRA1-E00	0	E02	96600-08025-06	0	F06
96001-06012-06	0	F19	96023-PRA1-E00	0	E05	96600-08035-06	0	F06
96001-06014-06	0	E05	96023-PRB9-E00	0	E04	96600-08050-06	0	F16
96001-06018-06	0	E02	96026-PRA1-E00	0	E05	96600-LEA7-E01	1	F14
96001-06018-06	0	E06	96033-PRA1-E00	2	E05	96600-LKF5-E00	0	F22
96001-06018-06	0	F13	96052-PRA1-E00	0	F07	96700-06020-06	0	F16
96001-06022-06	1	F15	96052-PRA1-E00	0	F08	96700-KED9-900	3	F06
96001-06028-06	0	E03	96100-30203-10	0	E05	96700-LGC6-E00	1	F16
96001-06035-06	0	E01	96100-60010-00	0	E04	96701-LGC6-E00	1	F14
96001-06035-06	0	E08	96100-60060-00	0	E10			
96001-06040-06	0	E08	96100-62010-00	0	E04			

PART NO. INDEX

PART NO.	VERSION	PAGE	PART NO.	VERSION	PAGE	PART NO.	VERSION	PAGE
98000								
98059-57916-00	2	E02						
98200-31000	1	F11						
98200-31500	1	F11						
98200-33000	0	F11						
502000								
502-00149	0	F19						
502-00151	0	F19						
502-00155	0	F19						
502-00164	0	F19						

