

PARTS CATALOGUE



SCOOTERS

KN25MA(GR)

AGILITY CARRY 125



Release Date : 2020/11/15
Print Date : 2020/11/24

ABOUT THIS PARTS LIST

- This parts list is compiled all service parts for model KN25MA(GR).
- Any difference between color chart and motorcycle will be revised according to motorcycle.
- The Mark:
 1. Marking "***" must add color code in the end before ordering parts.
 2. Marking "#" are parts with modification, Please find the details from e-Parts system.
- When modification or additions to this parts list are made a revised edition at an appropriate time.

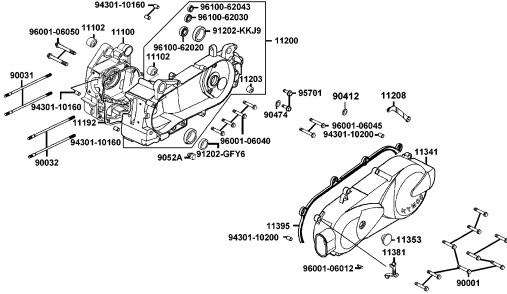
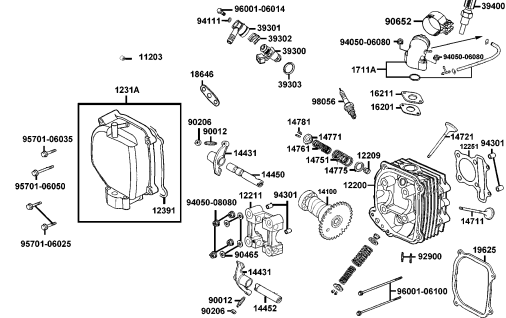
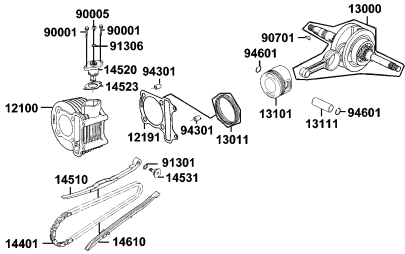
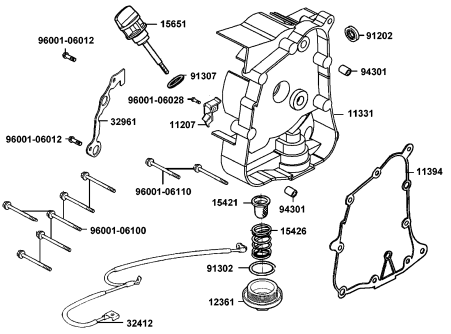
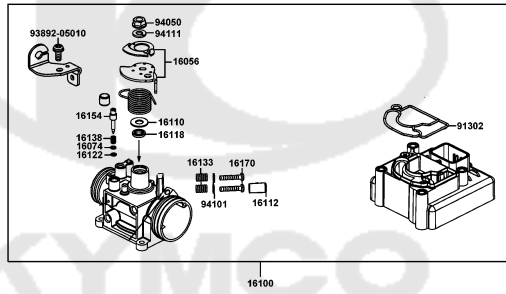
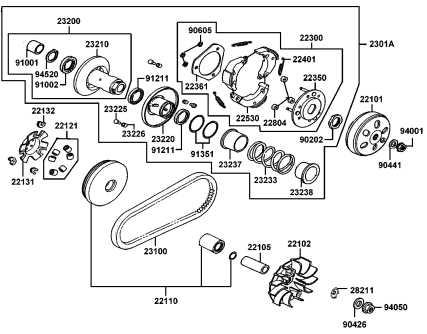
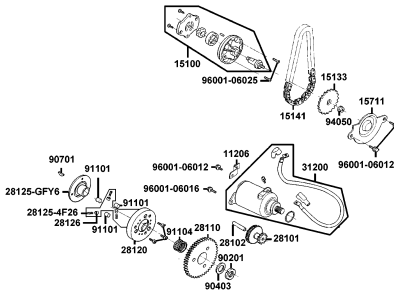
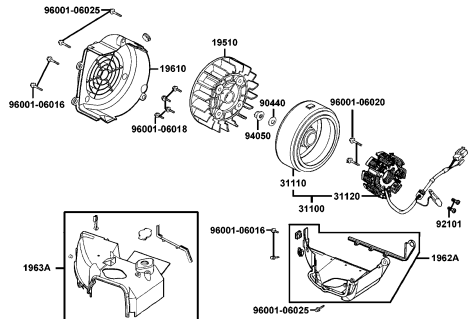
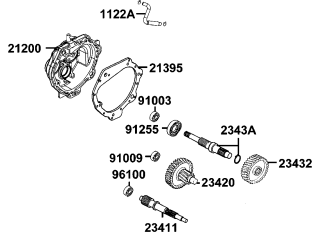


CONTENTS

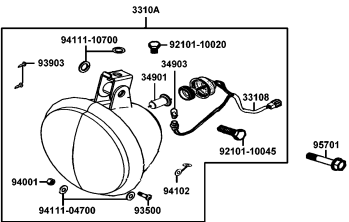
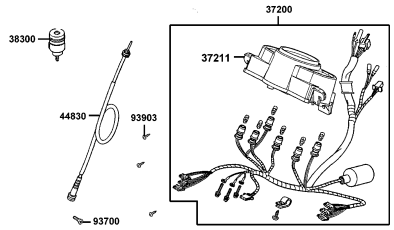
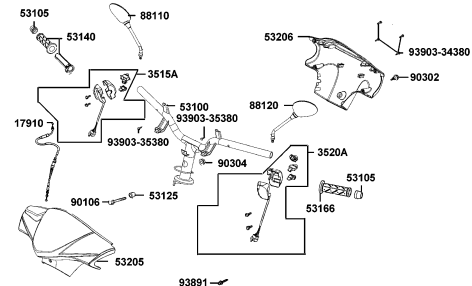
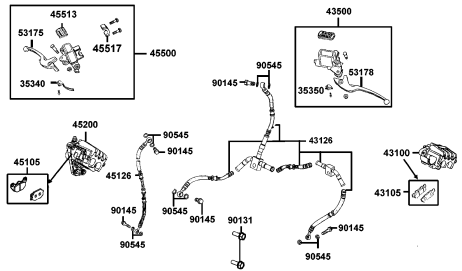
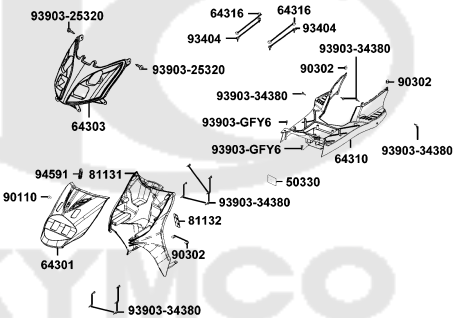
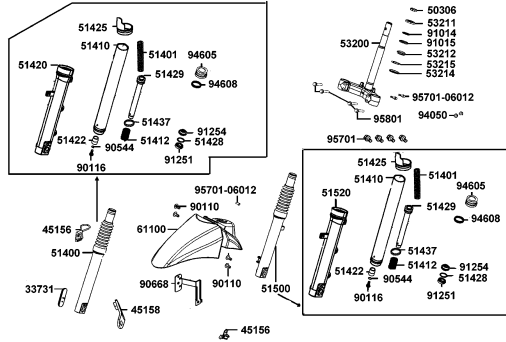
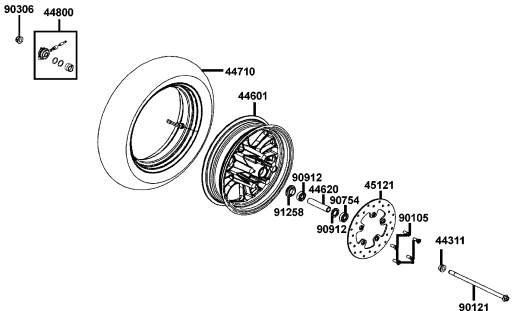
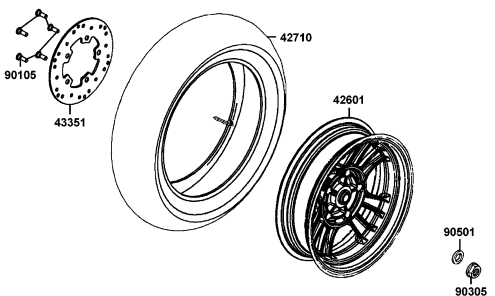
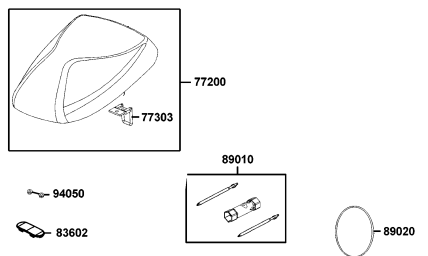
● ABOUT THIS PARTS LIST	1
● COLOR CHART OF KN25MA(GR)	3
● CONTENTS-ENGINE GROUP	5
● CONTENTS-FRAME GROUP	6
● ENGINE PARTS LIST	9
● FRAME PARTS LIST	37
● PART NO. INDEX	87

NO	MODEL			COLOR CHART OF KN25MA(GR)			
	PHOTO NO			NO. 1			
	BASIC COLOR			Pearly White			
	CODE			Pearly White			
	PARTS NAME	PARTS NO.	VERSION	NH193PA			
1	LEVER L STRG HANDLE	53178-KNBN-C00	0	M2A			
2	COVER BATTERY	50326-LCB9-C10	0	N1R			
3	COVER UNDER	50613-LCB9-C11	0				
4	GRIP COMP THROT	53140-KNBN-C00	1				
5	GRIP L HANDLE	53166-KNBN-C00	1				
6	COVE RHANDLE RR	53206-LCB9-C10	0				
7	LID FR COVER	64303-ALC9-E10	0				
8	PANEL FLOOR	64310-LCB9-C10	0				
9	PLUG FLOOR	64316-LCB9-C10	5				
10	FENDER REAR. TIRE	80100-LGR5-E10	1				
11	FENDER RR INNER	80101-ALK6-E15	0				
12	FENDER RR LOW	80106-LDC8-E10	0				
13	FENDER A RR	8010A-ALK6-E15	0				
14	COVER CENTER	80151-LCB9-C10	0				
15	LEG SHIELD	81131-ALA9-E70	1				
16	LID LEG SHIELD	81132-LCB9-C10	1				
17	BOX LUGGAGE	81250-ALK6-E15	0				
18	CARRIER FR BOTTOM	81305-ALC9-E10	0				
19	LID BODY COVER	83601-ALC8-E60	0				
20	GAP BODY COVER	83602-ALC8-E60	0				
21	CUSHION ASSY RR	52400-ALC5-M41	1	N1S			
22	COVER L /MAT BLACK	11341-KEC4-900	1	NEA			
23	COVER L. CRANK CASE	11341-KEC4-C00	0				
24	WHEEL COMP RR CAST	42601-LGR5-E10	0				
25	WHEEL COMP FR CAST	44601-LGR5-E10	0				
DATE OF STARTING-SALES							
DATE OF END-SALES							

CONTENTS - ENGINE GROUP

<p>E01 Crank Case</p> 	<p>E02 Cylinder Head</p> 	<p>E03 Cylinder Piston Crankshaft</p> 
<p>E04 Right Crankcase Cover</p> 	<p>E05 THROTTLE BODY ASSY</p> 	<p>E06 Driven Pulley</p> 
<p>E07 Starting Motor Oil Pump</p> 	<p>E08 Fan Cover Generator</p> 	<p>E09 Transmission</p> 

CONTENTS - FRAME GROUP

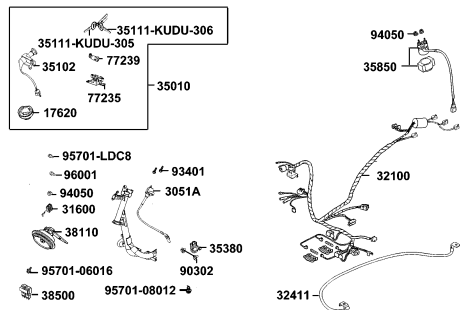
<p>F01 Head Light</p> 	<p>F02 Speedometer</p> 	<p>F03 Handle Steering Handle Cover</p> 
<p>F04 Brake Master Cylinder</p> 	<p>F05 Front Cover</p> 	<p>F06 Stem Steering Front</p> 
<p>F07 Front Wheel</p> 	<p>F08 Rear Wheel</p> 	<p>F09 Seat</p> 

CONTENTS - FRAME GROUP

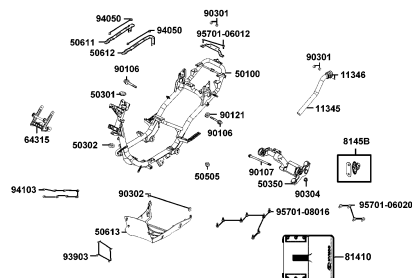
<p>F10 Fuel Tank</p>	<p>F11 Battery</p>	<p>F12 Body Cover Luggage Box</p>
<p>F13 Air Cleaner</p>	<p>F14 Exhaust Muffler</p>	<p>F15 Kick Starter Arm</p>
<p>F16 Rear Cushion</p>	<p>F17 Front Winker</p>	<p>F18 Tail Light FENDER RR TIRE</p>

CONTENTS - FRAME GROUP

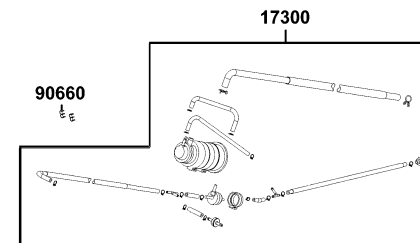
F19 Wire Harness



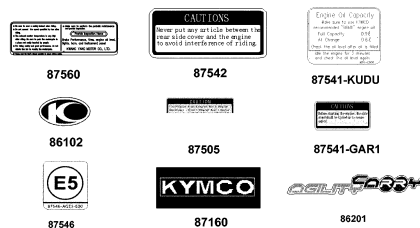
F20 Frame Body



F21 CANISTER ASSY

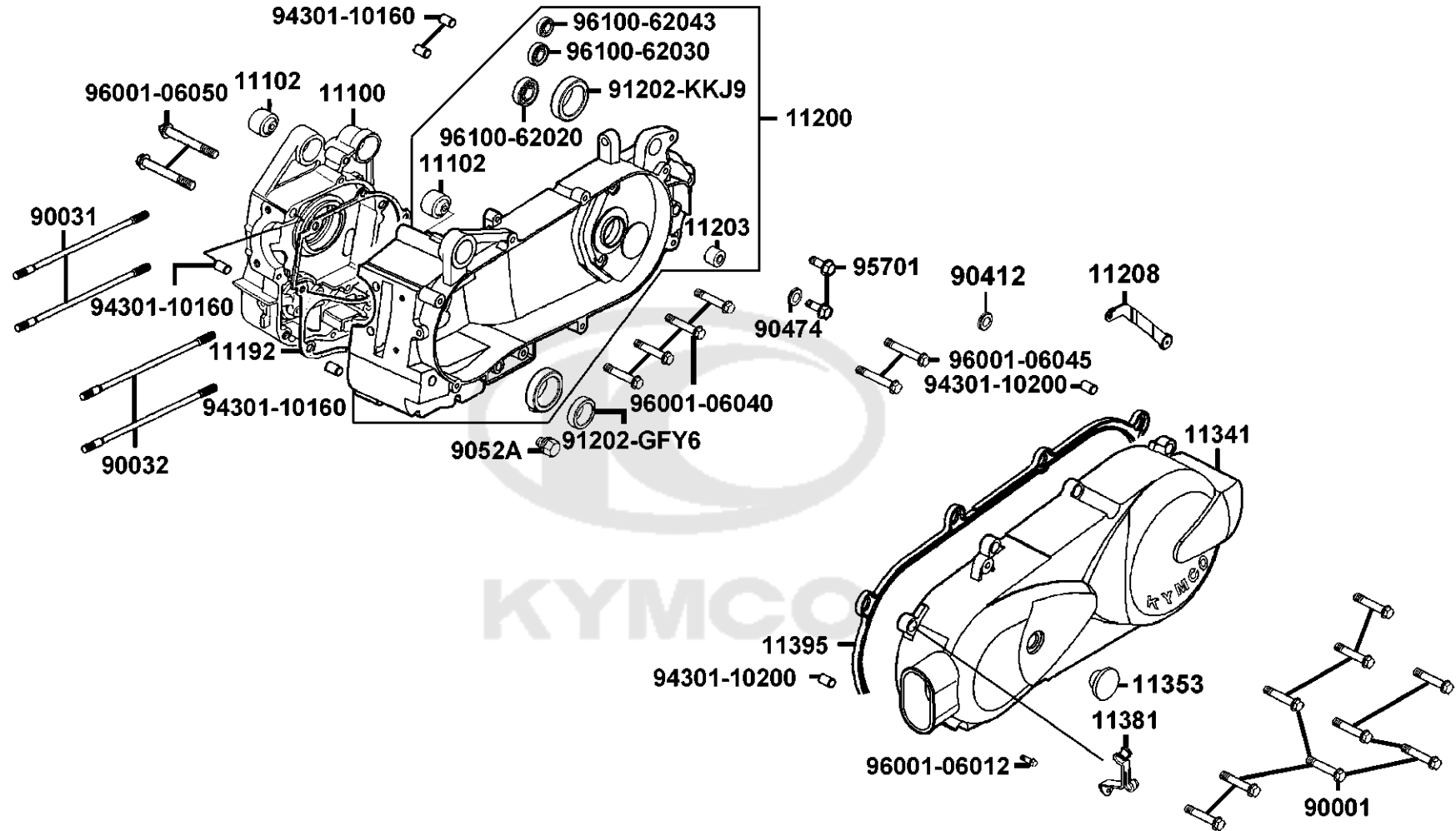


F22 Emblem Stripe



E01

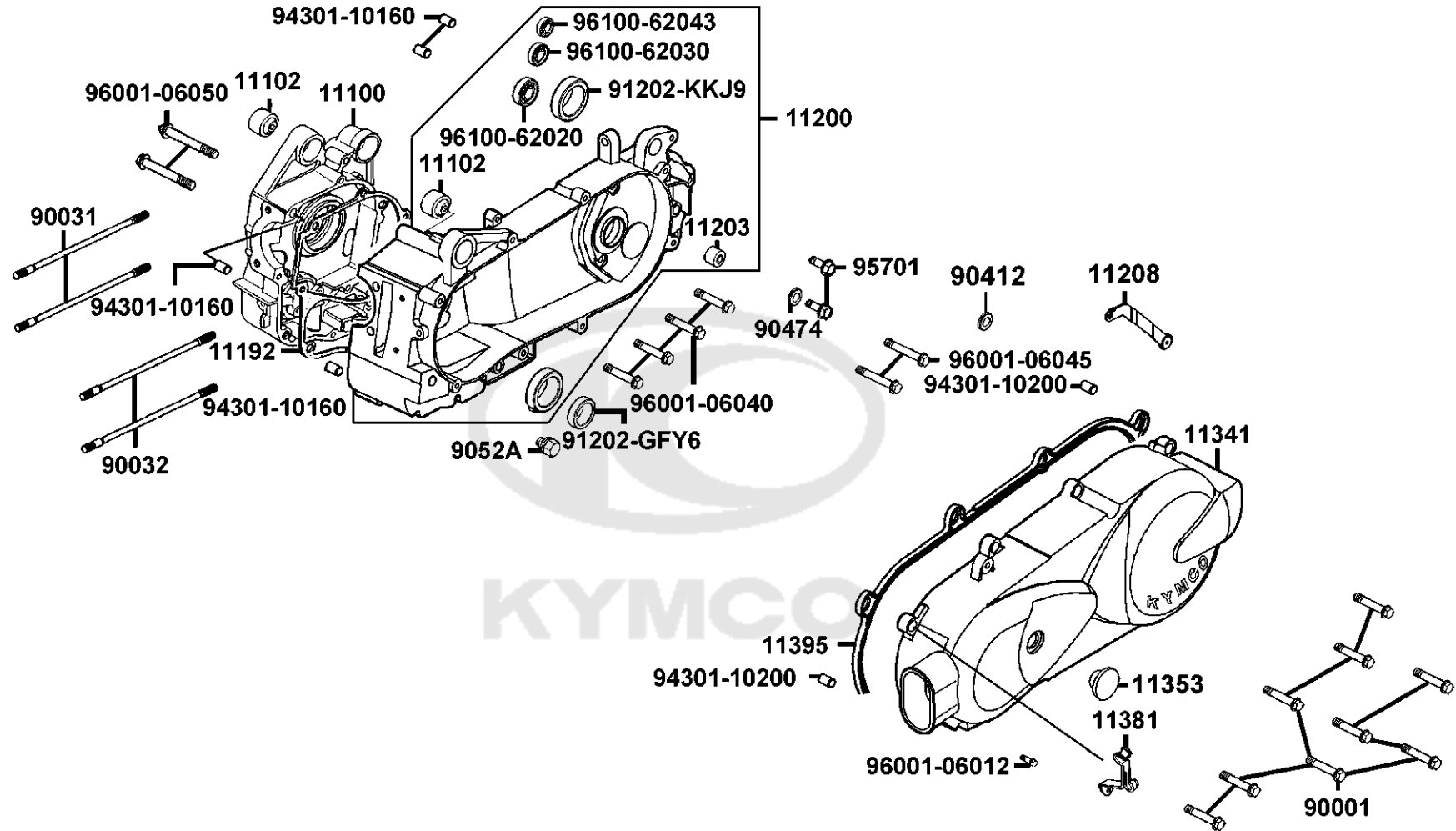
Crank Case



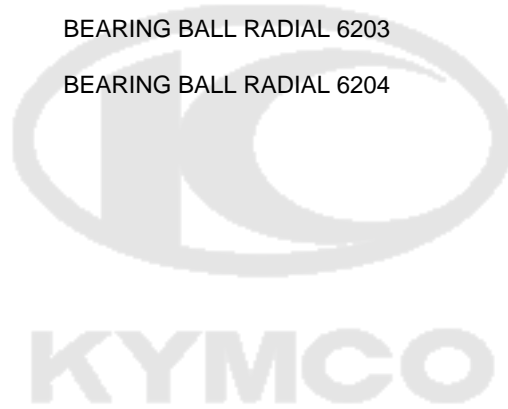
Sales mark	Ref no	Part no	Description	Reg description	Regd no	E01
	11100	11100-KUDU-C00	CRANK CASE COMP RIGHT	CRANK CASE COMP RIGHT	1	
	11102	11102-1G87-C00	RUB BUSH ENG HANGER	RUB BUSH ENG HANGER	2	
	11192	11192-KUDU-E90	GASKET CRANK CASE @ A	GASKET CRANK CASE @ A	1	
	11200	11200-KEC4-C00	CRANK CASE COMP L	CRANK CASE COMP L	1	
	11203	11203-GGC7-W10	UNDER RUBBER BUSH REAR CUSHION	UNDER RUBBER BUSH REAR CUSHION	1	
	11208	11208-LGR5-E11	STAY B RR FENDER	STAY B RR FENDER	1	
**	11341	11341-KEC4-900	COVER L /MAT BLACK	COVER L /MAT BLACK	1	
**	11341	11341-KEC4-C00	COVER L. CRANK CASE	COVER L. CRANK CASE	1	
	11353	11353-LEA6-C00	"RUBBER PLUG, L COVER KICK"	"RUBBER PLUG, L COVER KICK"	1	
	11381	11381-KUDU-C00	CLAMPER THROTTLE CABLE	CLAMPER THROTTLE CABLE	1	
	11395	11395-KKD7-E90	GASKET L COVER @A	GASKET L COVER @A	1	
	90001	90001-GBHB-C13	BOLT FLANGE SHF 6*40	BOLT FLANGE SHF 6*40	8	
	90031	90031-KUDU-C01	BOLT A STUD 8*200.5	BOLT A STUD 8*200.5	2	
	90032	90032-KUDU-C01	BOLT B STUD 8*208.5	BOLT B STUD 8*208.5	2	
	90412	90412-3K29-C00	WASHER THRUST 10MM	WASHER THRUST 10MM	1	
	90474	90474-3C33-C00	WASHER 8MM(T*2)	WASHER 8MM(T*2)	1	
	9052A	9052A-PUA3-B50	BLOT ASSY DRAIN PLUG	BLOT ASSY DRAIN PLUG	1	
	91202-GFY6	91202-GFY6-C00	OIL SEAL 19.8*30*5	OIL SEAL 19.8*30*5	1	
	91202-KKJ9	91202-KKJ9-C00	OIL SEAL 20*32*6	OIL SEAL 20*32*6	1	
	94301-10160	94301-10160	DOWEL PIN 10*16	DOWEL PIN 10*16	4	

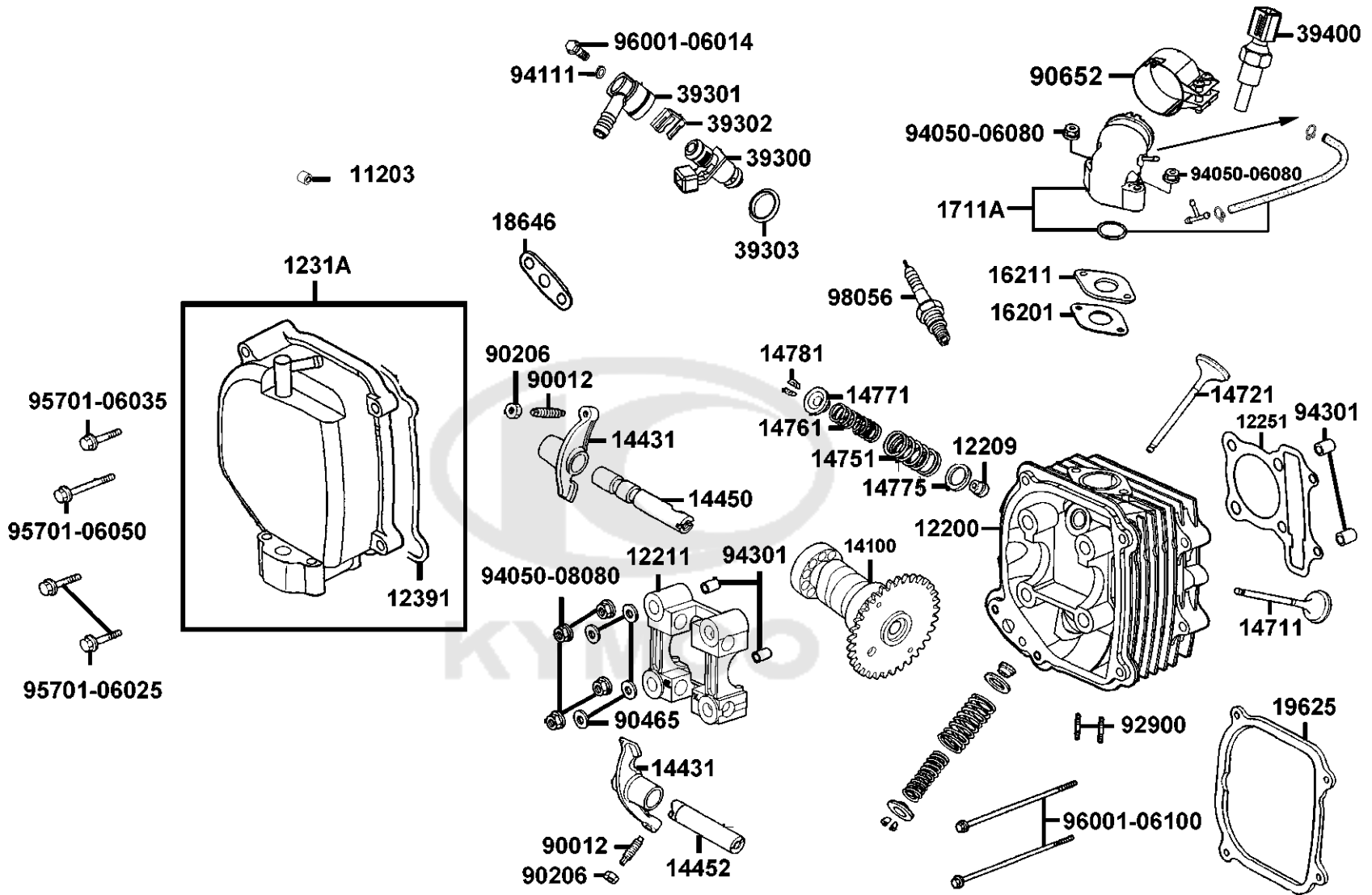
E01

Crank Case

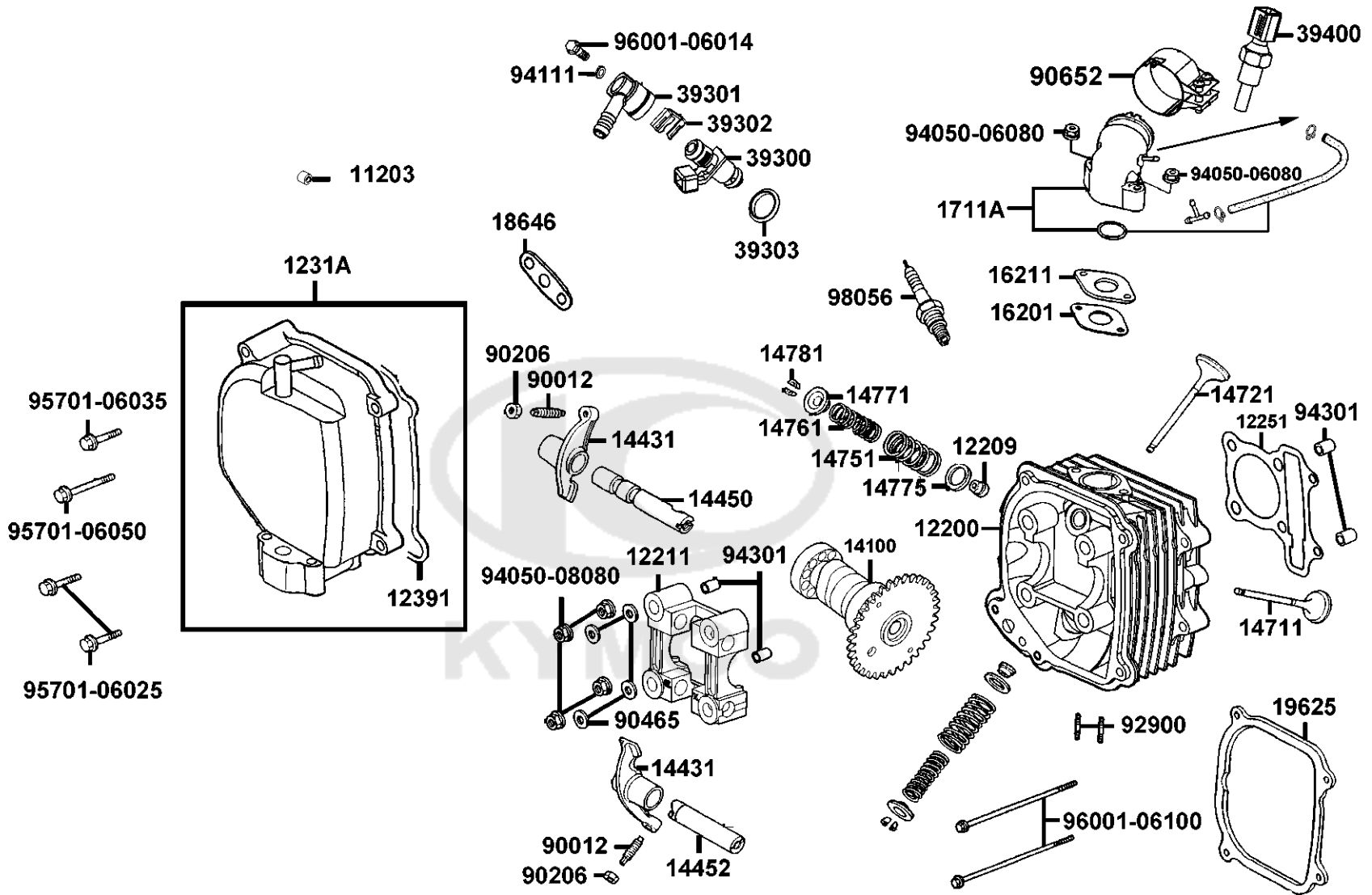


Sales mark	Ref no	Part no	Description	Reg description	Regd no	E01
	94301-10200	94301-10200	DOWEL PIN 10*20	DOWEL PIN 10*20	2	
	95701	95701-08012-08G	BOLT FLANGE 8*12 (C)	BOLT FLANGE 8*12 (C)	2	
	96001-06012	96001-06012-08G	BOLT FLANGE SH 6*12 (C)	BOLT FLANGE SH 6*12 (C)	1	
	96001-06040	96001-06040-08G	BOLT FLANGE SH 6*40 (C)	BOLT FLANGE SH 6*40 (C)	4	
	96001-06045	96001-06045-08G	BOLT FLANGE SH 6*45 (C)	BOLT FLANGE SH 6*45 (C)	3	
	96001-06050	96001-06050-08G	BOLT FLANGE	BOLT FLANGE	2	
	96100-62020	96100-62020-00	BEARING BALL RADIAL 6202	BEARING BALL RADIAL 6202	1	
	96100-62030	96100-62030-00	BEARING BALL RADIAL 6203	BEARING BALL RADIAL 6203	1	
	96100-62043	96100-62043-00	BEARING BALL RADIAL 6204	BEARING BALL RADIAL 6204	1	





Sales mark	Ref no	Part no	Description	Reg description	Regd no	E02
	11203	11203-GGC7-W10	UNDER RUBBER BUSH REAR CUSHION	UNDER RUBBER BUSH REAR CUSHION	1	
	12200	12200-KKE3-900	HEAD COMP CYLINDER	HEAD COMP CYLINDER	1	
	12209	12209-GDB4-C00	SEAL VALVE STEM	SEAL VALVE STEM	2	
	12211	12211-KUDU-W10	HOLDER CAM SHAFT COMP	HOLDER CAM SHAFT COMP	1	
	12251	12251-GFY6-C00	GASKET CYLINDER HEAD	GASKET CYLINDER HEAD	1	
	1231A	1231A-ALL1-C00	COVER ASSY HEAD	COVER ASSY HEAD	1	
	12391	12391-GFY6-C00	GASKET HEAD COVER	GASKET HEAD COVER	1	
	14100	14100-AAA2-C00	CAMSHAFT	CAMSHAFT	1	
	14431	14431-KUDU-W10	ARM VALVE ROCKER	ARM VALVE ROCKER	2	
	14450	14450-GFY6-W10	SHAFT COMP IN ROCKER ARM	SHAFT COMP IN ROCKER ARM	1	
	14452	14452-GFY6-W10	SHAFT EXH ROCKER ARM	SHAFT EXH ROCKER ARM	1	
	14711	14711-KUDU-C00	VALVE INLET	VALVE INLET	1	
	14721	14721-KUDU-C00	VALVE EXHAUST	VALVE EXHAUST	1	
	14751	14751-KUDU-C10	SPRING VALVE OUTER	SPRING VALVE OUTER	1	
	14761	14761-KUDU-C10	SPG VALVE INNER	SPG VALVE INNER	1	
	14771	14771-GDB4-C00	RETAINER VALVE SPRING	RETAINER VALVE SPRING	2	
	14775	14775-MFA6-C00	SEAT VALVE SPG OUTER	SEAT VALVE SPG OUTER	1	
	14781	14781-MFA6-C00	COTTER VALVE	COTTER VALVE	4	
	16201	16201-GFY6-E90	GASKET CARB INSULATOR	GASKET CARB INSULATOR	1	
	16211	16211-GFY6-W10	INSULATOR CARB	INSULATOR CARB	1	

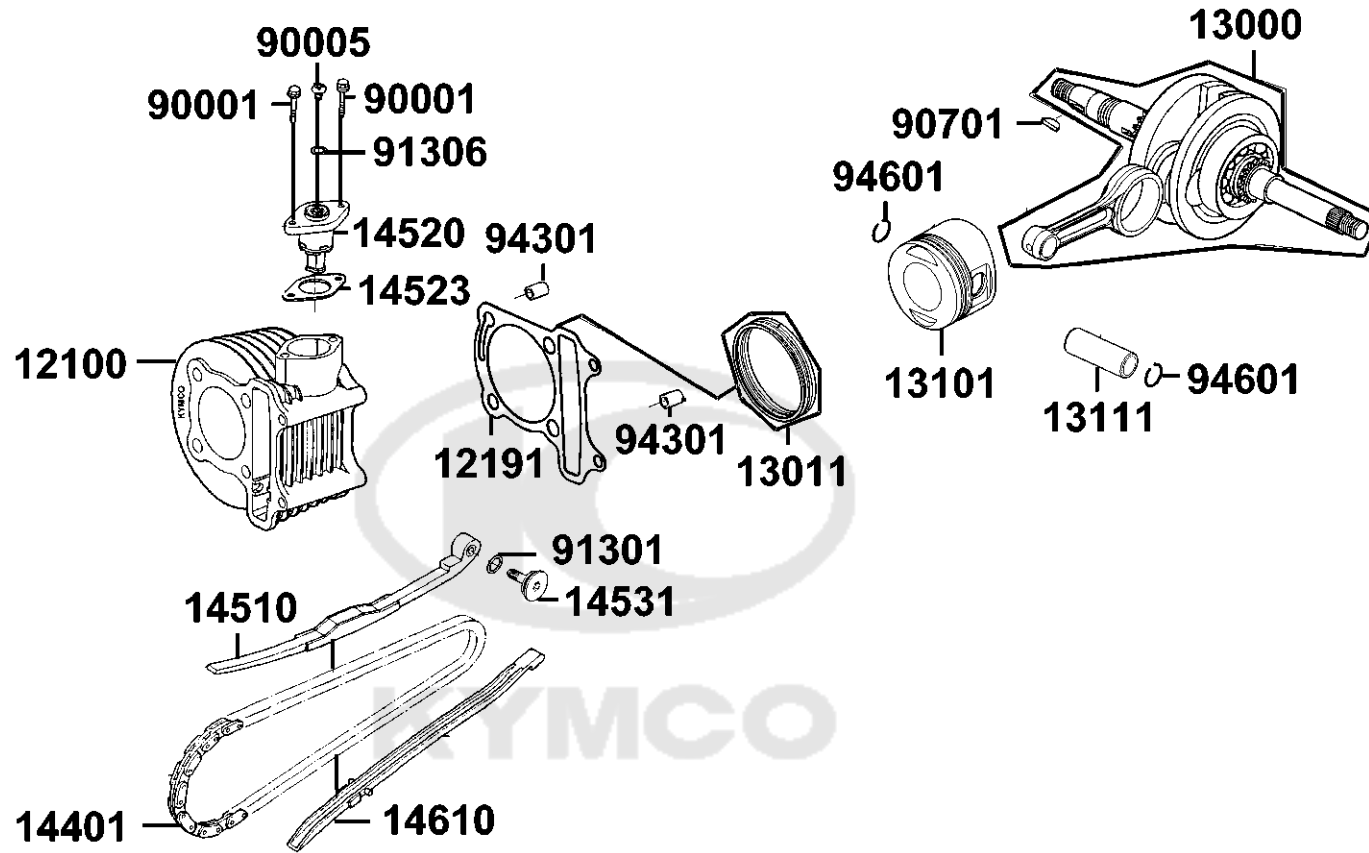


Sales mark	Ref no	Part no	Description	Reg description	Regd no	E02
	1711A	1711A-LGL3-C10	FUEL INJECTOR AND INLET PIPE ASSY	FUEL INJECTOR AND INLET PIPE ASSY	1	
	18646	18646-LDC8-E10	GASKET A/I PIPE	GASKET A/I PIPE	1	
	19625	19625-KUDU-C00	SEAL SHROUD	SEAL SHROUD	1	
	39300	39300-LEA6-800	"INJECTOR,FUEL"	"INJECTOR,FUEL"	1	
	39301	39301-ALJ8-E10	CUP COMP FUEL INJECTOR	CUP COMP FUEL INJECTOR	1	
	39302	39302-KKE3-C00	CLIP SPRING FUEL INJECTOR	CLIP SPRING FUEL INJECTOR	1	
	39303	39303-LEB2-C00	"SEAL,HIGH TENSION FUEL INJECT"	"SEAL,HIGH TENSION FUEL INJECT"	1	
	39400	39400-LHJ3-900	"SENSOR,HEAD TEMPERATURE"	"SENSOR,HEAD TEMPERATURE"	1	
	90012	90012-3C33-C00	SCREW TAPPET ADJUSTING	SCREW TAPPET ADJUSTING	2	
	90206	90206-0A01-C00	NUT TAPPET ADJG	NUT TAPPET ADJG	2	
	90465	90465-MDC4-C01	WASHER 8MM	WASHER 8MM	4	
	90652	90652-LGJ9-900	"BAND 48, INLET-PIPE"	"BAND 48, INLET-PIPE"	1	
	92900	92900-06060-0BG	BOLT STUD 6*60	BOLT STUD 6*60	2	
	94050-06080	94050-06080-G	NUT FLANGE 6MM	NUT FLANGE 6MM	2	
	94050-08080	94050-08080-G	NUT FLANGE 8MM	NUT FLANGE 8MM	4	
	94111	94111-06800-G	WASHER PLAIN 6MM	WASHER PLAIN 6MM	1	
	94301	94301-10160	DOWEL PIN 10*16	DOWEL PIN 10*16	4	
	95701-06025	95701-06025-08G	BOLT FLANGE 6*25	BOLT FLANGE 6*25	2	
	95701-06035	95701-06035-08G	BOLT FLANGE 6*35 (C)	BOLT FLANGE 6*35 (C)	1	
	95701-06050	95701-06050-08G	BOLT FLANGE 6*50 (C)	BOLT FLANGE 6*50 (C)	1	

Sales mark	Ref no	Part no	Description	Reg description	Regd no	E02
------------	--------	---------	-------------	-----------------	---------	------------

96001-06014	96001-06014-08G	96001-06014-08G	BOLT FLANGE SH 6*14 (C)	BOLT FLANGE SH 6*14 (C)	1	
96001-06100	96001-06100-08G	96001-06100-08G	BOLT FLANGE SH 6*110	BOLT FLANGE SH 6*110	2	
98056	98056-5771R-00	98056-5771R-00	SPARK PLUG (CR7HSA)	SPARK PLUG (CR7HSA)	1	

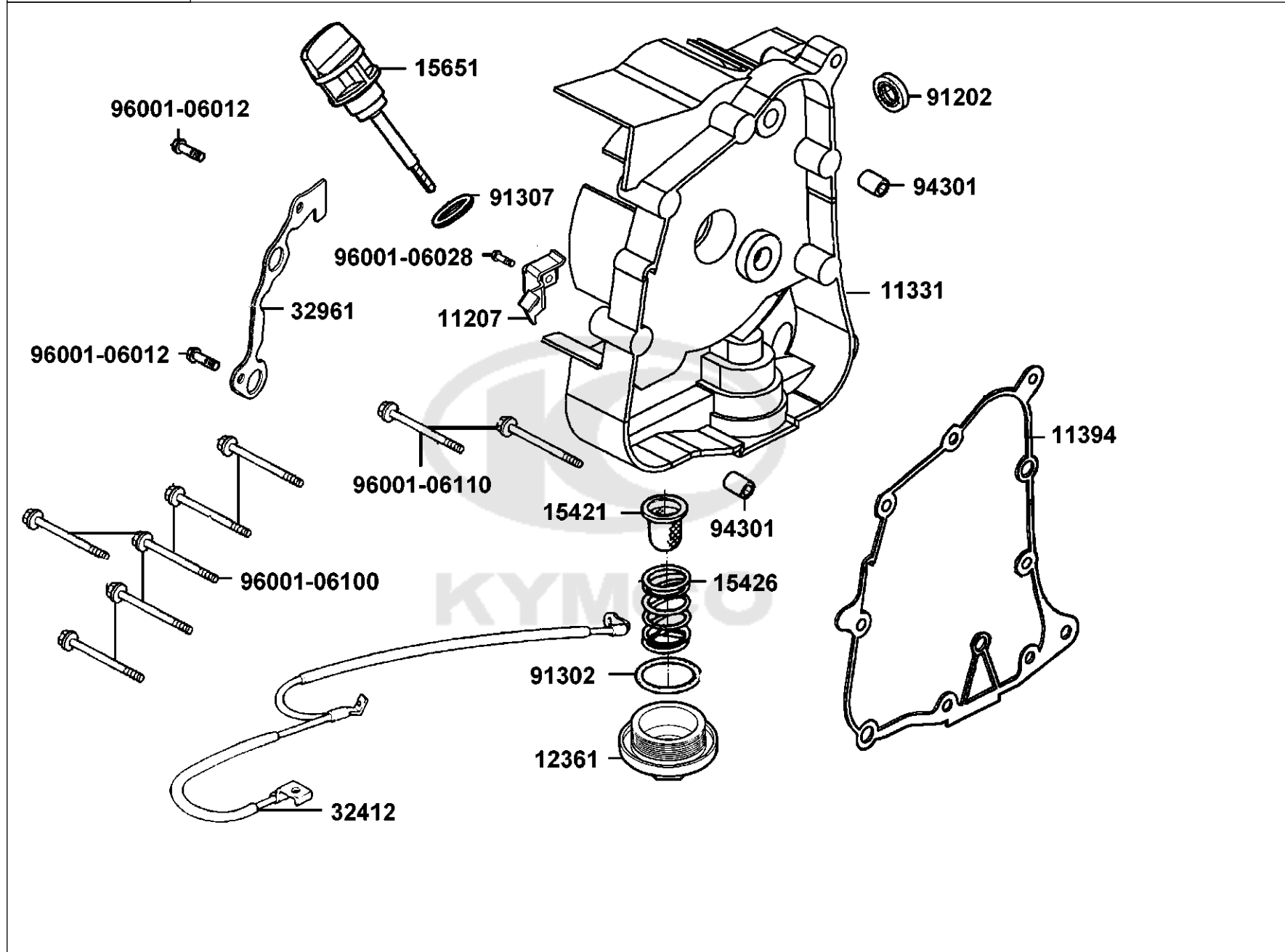




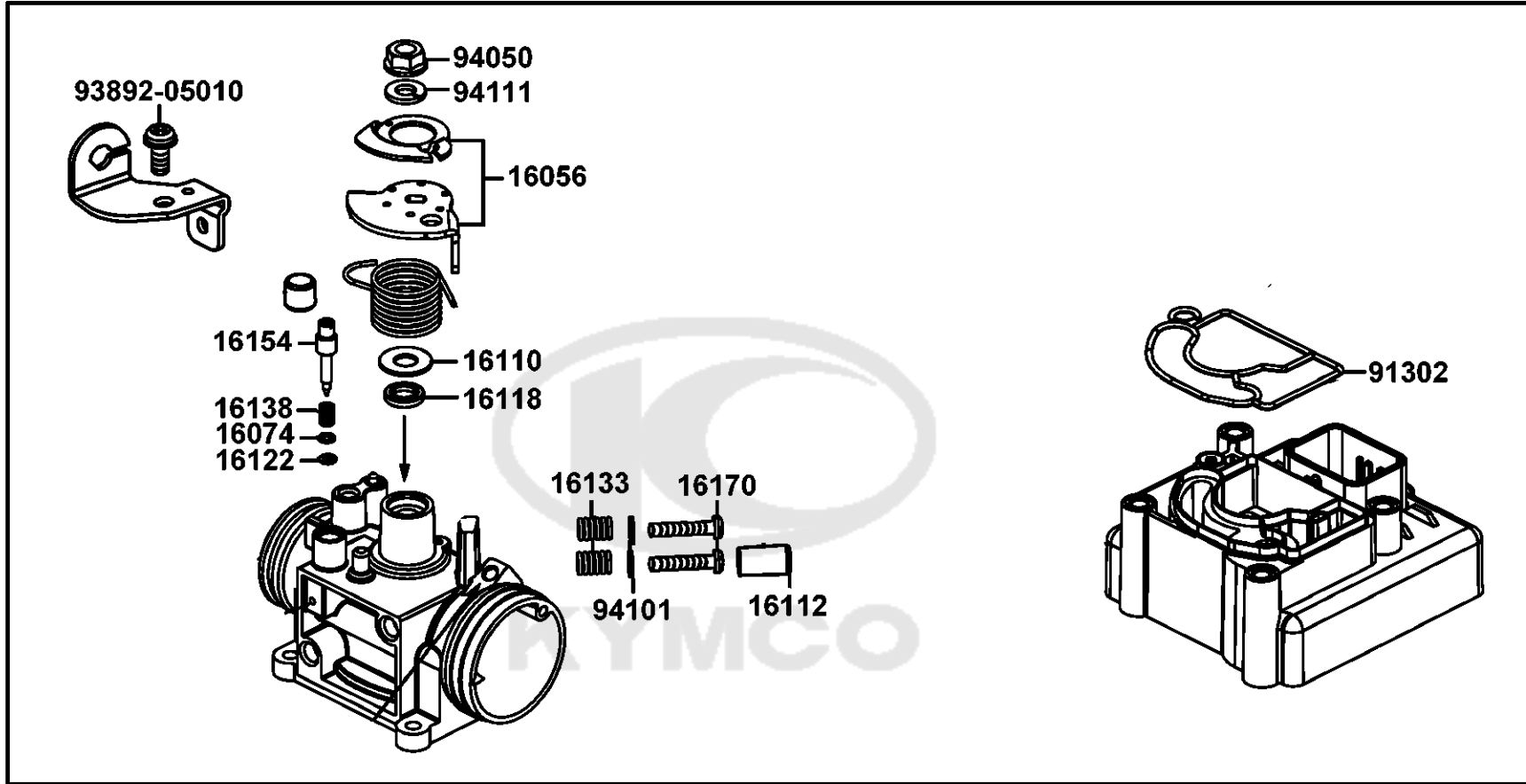
Sales mark	Ref no	Part no	Description	Reg description	Regd no	E03
	12100	12100-GFY6-C00	CYLINDER COMP	CYLINDER COMP	1	
	12191	12191-GFY6-E90	GASKET CRANK CASE @ A	GASKET CRANK CASE @ A	1	
	13000	13000-KUDU-C00	CRANK SHAFT COMP	CRANK SHAFT COMP	1	
	13011	13011-GFY6-C00	RING ASSY PISTON	RING ASSY PISTON	1	
	13101	13101-KUDU-C00	PISTON A	PISTON A	1	
	13111	13111-3D84-C00	PIN PISTON	PIN PISTON	1	
	14401	14401-KUDU-C00	CHAIN CAM	CHAIN CAM	1	
	14510	14510-KUDU-C00	TENSIONER CAM CHAIN	TENSIONER CAM CHAIN	1	
	14510	14510-KUDU-C0B	TENSIONER CAM CHAIN	TENSIONER CAM CHAIN	1	
	14520	14520-GFY6-C00	LIFTER ASSY TENSIONER	LIFTER ASSY TENSIONER	1	
	14523	14523-GFY6-E90	GASKET TENSIONER LIFTER@A	GASKET TENSIONER LIFTER@A	1	
	14531	14531-GLR0-W11	PIVOT CAM CHAIN TENSIONER	PIVOT CAM CHAIN TENSIONER	1	
	14610	14610-KUDU-C0B	GUIDE COMP CAM CHAIN	GUIDE COMP CAM CHAIN	1	
	90001	90001-GBHB-C05	BOLT FLANGE SH 6X22	BOLT FLANGE SH 6X22	2	
	90005	90005-KAW1-C00	SCREW PAN 6*6	SCREW PAN 6*6	1	
	90701	90701-HFB6-C00	KEY WOODRUFF 25*14*4	KEY WOODRUFF 25*14*4	1	
	91301	91301-GLR0-W10	O-RING 15.2*1.5	O-RING 15.2*1.5	1	
	91306	91306-1E05-C00	O-RING 1.5*9.5	O-RING 1.5*9.5	1	
	94301	94301-10160	DOWEL PIN 10*16	DOWEL PIN 10*16	2	
	94601	94601-15000	CLIP PISTON PIN 15MM	CLIP PISTON PIN 15MM	2	

E04

Right Crankcase Cover

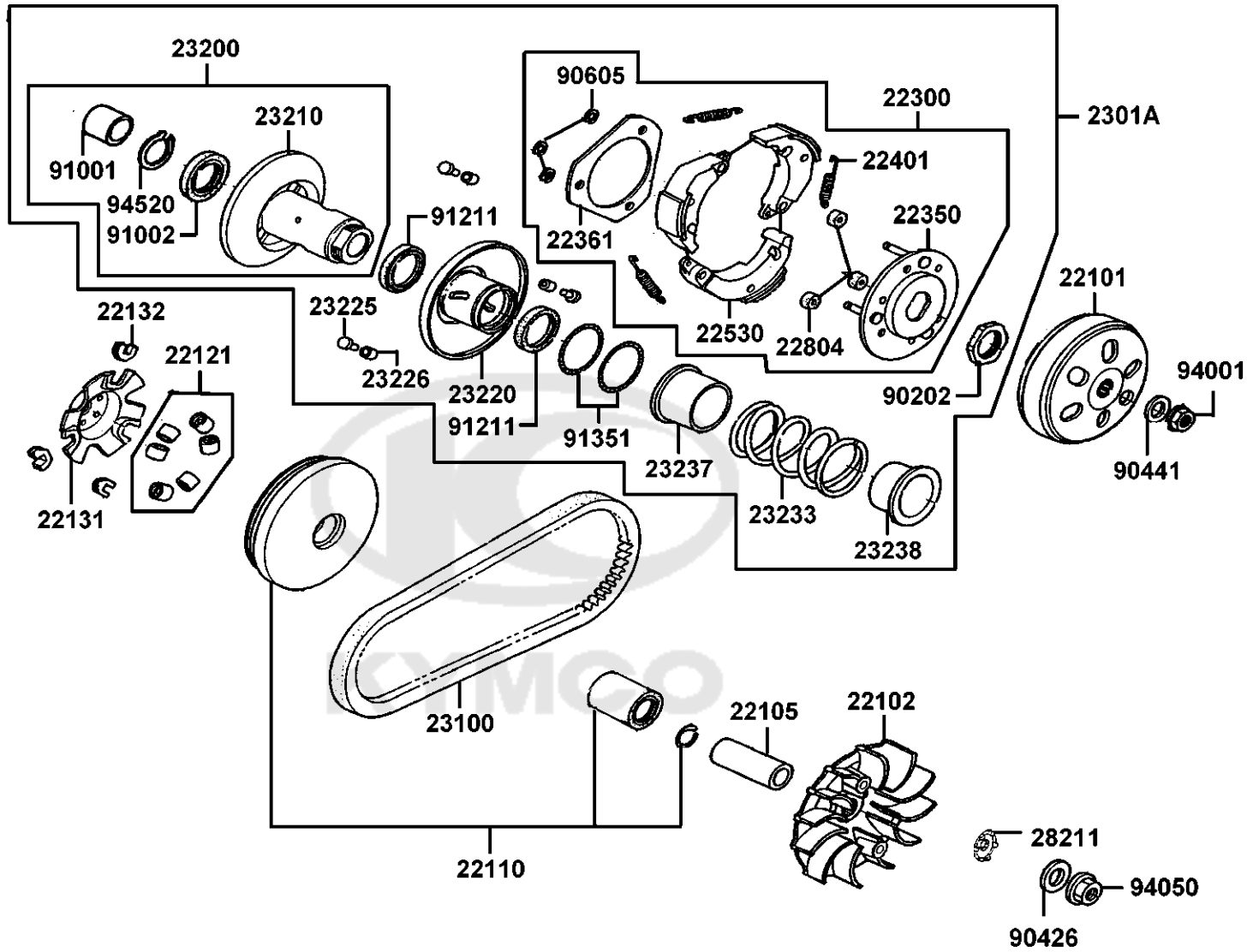


Sales mark	Ref no	Part no	Description	Reg description	Regd no	E04
11207		11207-KKE3-C01	STAY B RR FENDER	STAY B RR FENDER	1	
11331		11331-LCD3-E00	COVER R CRANK CASE	COVER R CRANK CASE	1	
11394		11394-KUDU-E90	GASKET R COVER	GASKET R COVER	1	
12361		12361-GFY6-C00	HOLE CAP TAPPET ADJUSTING	HOLE CAP TAPPET ADJUSTING	1	
15421		15421-1G07-C00	SCREEN OIL FILTER	SCREEN OIL FILTER	1	
15426		15426-GAE1-C00	SPG OIL FILTER SCREEN	SPG OIL FILTER SCREEN	1	
15651		15651-KUDU-W10	GUAGE OIL LEVEL	GUAGE OIL LEVEL	1	
32412		32412-LEH3-C10	CABLE EARTH	CABLE EARTH	1	
32961		32961-KUDU-C00	CLAMPER ACG CORD	CLAMPER ACG CORD	1	
91202		91202-GFY6-C00	OIL SEAL 19.8*30*5	OIL SEAL 19.8*30*5	1	
91302		91302-0A01-C00	O-RING 30.8M/M	O-RING 30.8M/M	1	
91307		91307-0E35-W10	O-RING 18*3	O-RING 18*3	1	
94301		94301-10160	DOWEL PIN 10*16	DOWEL PIN 10*16	2	
96001-06012		96001-06012-08G	BOLT FLANGE SH 6*12 (C)	BOLT FLANGE SH 6*12 (C)	2	
96001-06028		96001-06028-08G	BOLT FLANGE 6*28	BOLT FLANGE 6*28	1	
96001-06100		96001-06100-08G	BOLT FLANGE SH 6*110	BOLT FLANGE SH 6*110	6	
96001-06110		96001-06110-08G	BOLT FLANGE SH 6*110	BOLT FLANGE SH 6*110	2	



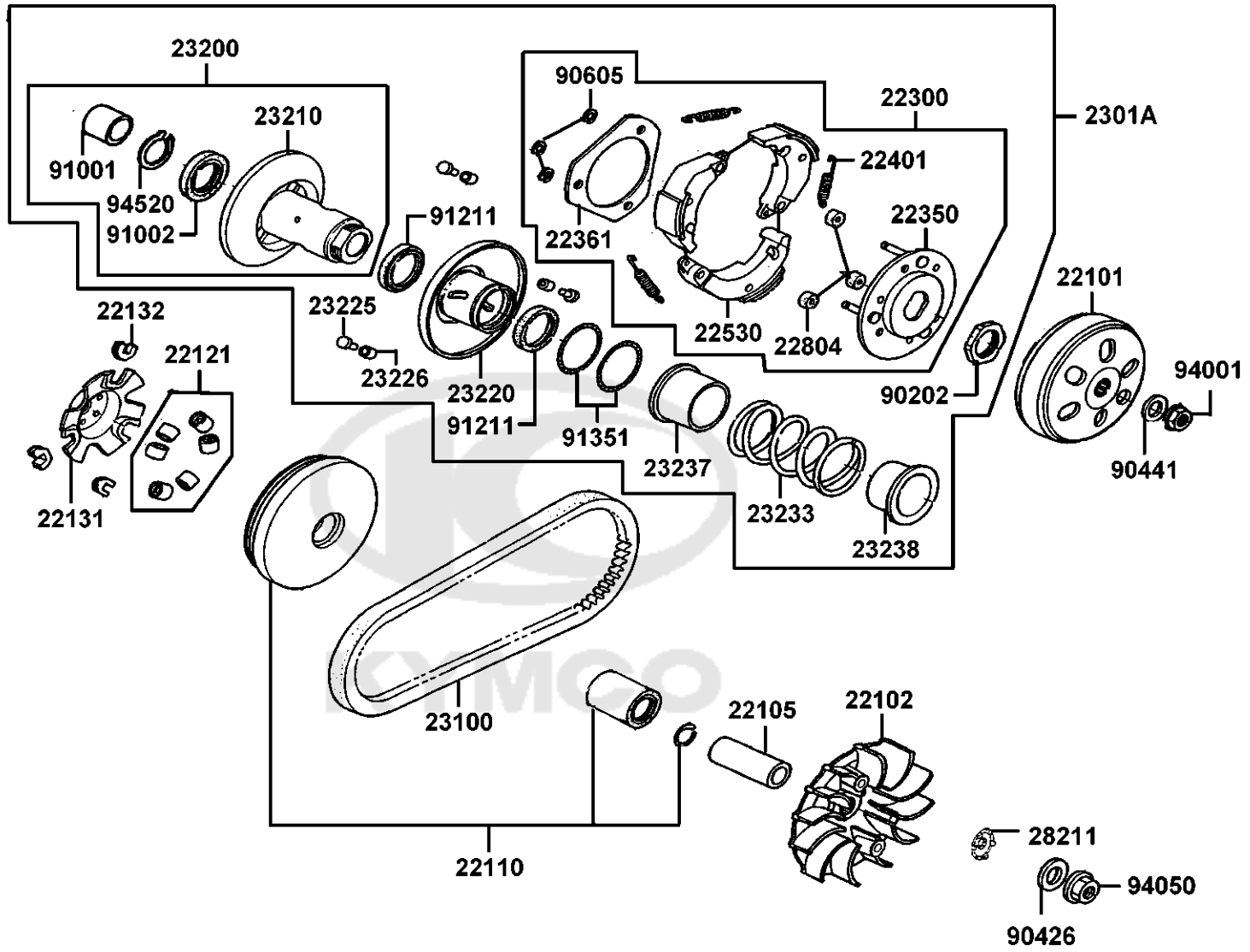
16100

Sales mark	Ref no	Part no	Description	Reg description	Regd no	E05
16056		16056-LEB2-C00	LEVER ASSY..THROTTLE	LEVER ASSY..THROTTLE	1	
16074		16074-KEC3-C00	WASHER IDLE ADJUST SCREW	WASHER IDLE ADJUST SCREW	1	
16100		16100-ALK6-E15	THROTTLE BODY ASSY	THROTTLE BODY ASSY	1	
16110		16110-KEC3-900	WASHER THROTTLE COMP	WASHER THROTTLE COMP	1	
16112		16112-KKE3-C00	COVER IDLE SCREW	COVER IDLE SCREW	1	
16118		16118-KGC5-C00	SEAL THROTTLE SHAFT	SEAL THROTTLE SHAFT	1	
16122		16122-KEC3-C00	O-RING IDLE SCREW	O-RING IDLE SCREW	1	
16133		16133-KEC3-C00	SPG THROTTLE ADJ SCREW	SPG THROTTLE ADJ SCREW	1	
16138		16138-KEC3-C00	SPG IDLE ADJ SCREW	SPG IDLE ADJ SCREW	1	
16154		16154-KKE3-C00	SCREW IDLE ADJUST	SCREW IDLE ADJUST	1	
16170		16170-KEC3-C00	SCREW THROTTLE ADJUST	SCREW THROTTLE ADJUST	1	
91302		91302-LEB2-C00	SEAL THROTTLE-ECU	SEAL THROTTLE-ECU	1	
93892-05010		93892-05010-08	SCREW WASHER 5X10	SCREW WASHER 5X10	1	
94050		94050-06080	NUT FLANGE 6MM	NUT FLANGE 6MM	1	
94101		94101-KKE3-C00	WASHER SPG 4MM	WASHER SPG 4MM	1	
94111		94111-06800	WASHER PLAIN 6MM	WASHER PLAIN 6MM	1	



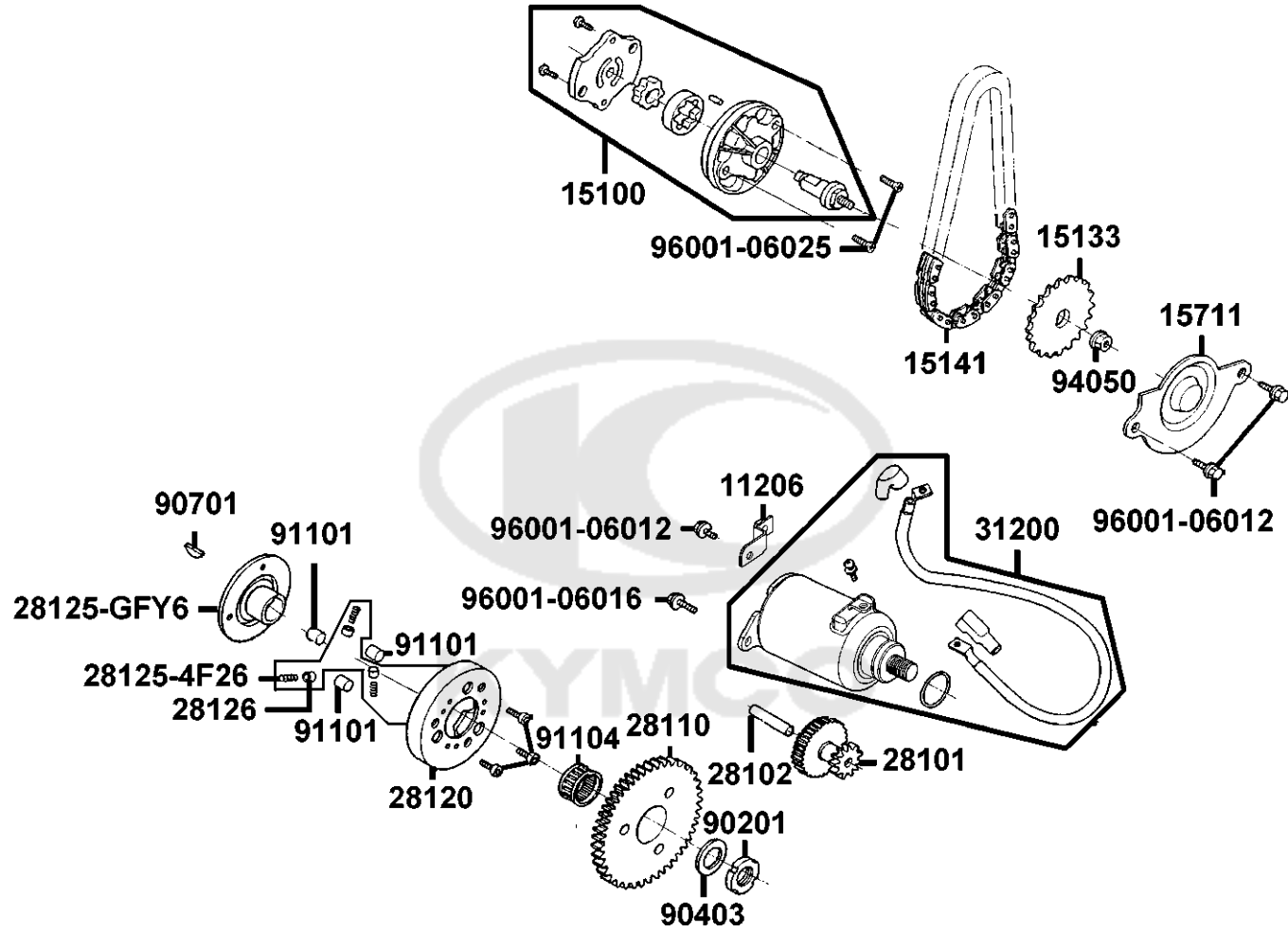
Sales mark	Ref no	Part no	Description	Reg description	Regd no	E06
22101		22101-LCD3-C00	OUTER CLUTCH	OUTER CLUTCH	1	
22102		22102-KUDU-E80	FACE DRIVE	FACE DRIVE	1	
22105		22105-GFY6-C10	BOSS DRIVE FACE	BOSS DRIVE FACE	1	
22110		22110-KUDU-E80	FACE COMP MOVABLE DRIVE	FACE COMP MOVABLE DRIVE	1	
22121		22121-KKD7-315	ROLLER COMP WEIGHT	ROLLER COMP WEIGHT	1	
22131		22131-GFY6-C00	PLATE RAMP	PLATE RAMP	1	
22132		22132-KBN2-315	PIECE SLIDE	PIECE SLIDE	3	
22300		22300-KEC6-C00	PLATE ASSY DRIVE	PLATE ASSY DRIVE	1	
22350		22350-GFY6-C00	PLATE COMP DRIVE	PLATE COMP DRIVE	1	
22361		22361-KGN7-C00	PLATE CLUTCH SIDE	PLATE CLUTCH SIDE	1	
22401		22401-GFY6-C0A	SPRING CLUTCH	SPRING CLUTCH	3	
22530		22530-GFY6-C00	WEIGHT CLUTCH	WEIGHT CLUTCH	3	
22804		22804-GBB2-C00	RUBBER CLUTCH DAMPER	RUBBER CLUTCH DAMPER	3	
2301A		2301A-KEC6-C00	PULLEY ASSY DRIVEN	PULLEY ASSY DRIVEN	1	
23100		23100-KEC4-C00	BELT DRIVE	BELT DRIVE	1	
23100		23100-KEC4-C0E	BELT DRIVE	BELT DRIVE	1	
23200		23200-GFY6-C00	FACE ASSY DRIVEN	FACE ASSY DRIVEN	1	
23210		23210-GFY6-C00	FACE COMP DRIVEN A	FACE COMP DRIVEN A	1	
23220		23220-KFBF-C00	FACE MOVABLE DRIVEN	FACE MOVABLE DRIVEN	1	
23225		23225-GHC8-C00	PIN ROLLER GUIDE	PIN ROLLER GUIDE	3	

Driven Pulley



Sales mark	Ref no	Part no	Description	Reg description	Regd no	E06
23226		23226-GHC8-C00	ROLLER GUIDE	ROLLER GUIDE	3	
23233		23233-GCW3-C00	SPG DRIVEN FACE	SPG DRIVEN FACE	1	
23237		23237-GFY6-C00	COLLAR SEAL	COLLAR SEAL	1	
23238		23238-GFY6-C00	COLLAR SPG	COLLAR SPG	1	
28211		28211-LGK2-C00	WASHER 15.1X24X5	WASHER 15.1X24X5	1	
90202		90202-1G87-C00	NUT SPECIAL 28MM	NUT SPECIAL 28MM	1	
90426		90426-KNBN-C01	WASHER SPECIAL 12MM	WASHER SPECIAL 12MM	1	
90441		90441-GFY6-C01	WASHER 12.2*29*2.5	WASHER 12.2*29*2.5	1	
90605		90605-1F66-C00	CIR CLIP 7MM	CIR CLIP 7MM	3	
91001		91001-GFY6-C00	BRG CON-ROD 20*29*18	BRG CON-ROD 20*29*18	1	
91002		91002-GGA7-C00	BRG BALL RADIAL 6902U	BRG BALL RADIAL 6902U	1	
91211		91211-KEBE-C00	SEAL DRIVEN FACE 34*41*4	SEAL DRIVEN FACE 34*41*4	2	
91351		91351-6B42-C00	O-RING PINION CAP	O-RING PINION CAP	2	
94001		94001-12280-0SG	NUT HEX 12MM(C)	NUT HEX 12MM(C)	1	
94050		94050-12080-G	NUT FLANGE 12MM (C)	NUT FLANGE 12MM (C)	1	
94520		94520-28000	CIR CLIP IN 28	CIR CLIP IN 28	1	

Starting Motor Oil Pump

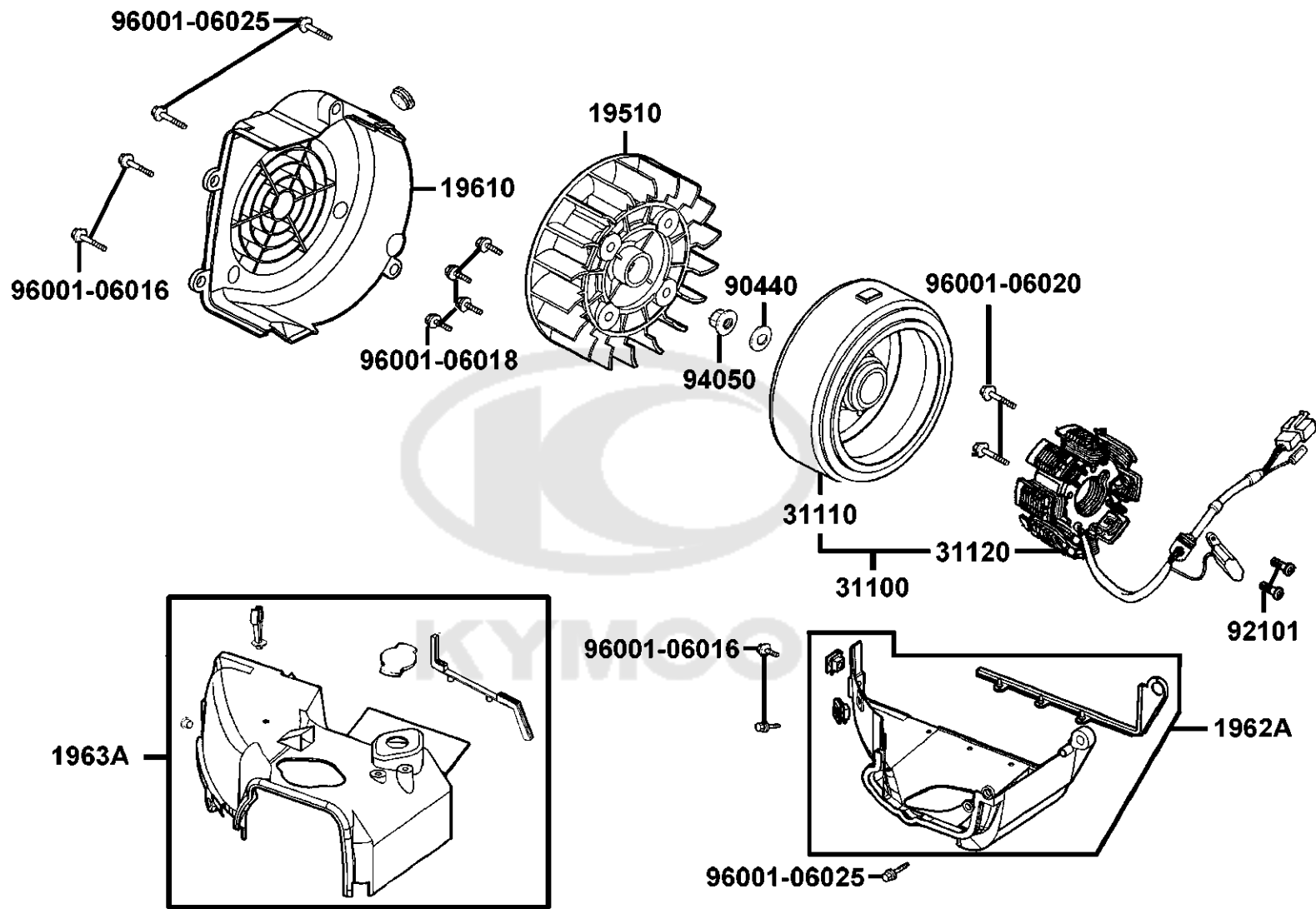


Sales mark	Ref no	Part no	Description	Reg description	Regd no	E07
	11206	11206-LGR5-E10	STAY A RR FENDER	STAY A RR FENDER	1	
	15100	15100-KUDU-W10	PUMP ASSY OIL	PUMP ASSY OIL	1	
	15133	15133-GFY6-W10	SPROCKET OIL PUMP DRIVE	SPROCKET OIL PUMP DRIVE	1	
	15141	15141-GFY6-C00	CHAIN OIL PUMP	CHAIN OIL PUMP	1	
	15711	15711-KUDU-C00	SEPARATER OIL	SEPARATER OIL	1	
	28101	28101-GFY6-C00	GEAR STARTER REDUCTION	GEAR STARTER REDUCTION	1	
	28102	28102-GFY6-C00	SHAFT STARTER REDUCTION GEAR	SHAFT STARTER REDUCTION GEAR	1	
	28110	28110-GFY6-C10	OUTER ASSY START CLUTCH	OUTER ASSY START CLUTCH	1	
	28120	28120-GFY6-C10	GEAR COMP STARTING CLUTCH	GEAR COMP STARTING CLUTCH	1	
	28125-4F26	28125-4F26-C00	SPRING ROLLER STARTER CLUTCH	SPRING ROLLER STARTER CLUTCH	1	
	28125-GFY6	28125-GFY6-C10	SPRING ROLLER STARTER CLUTCH	SPRING ROLLER STARTER CLUTCH	1	
	28126	28126-GFY6-C10	FLANGE STARTING CLUTCH	FLANGE STARTING CLUTCH	3	
	31200	31200-ALJ8-E10	MOTOR ASSY START	MOTOR ASSY START	1	
	90201	90201-GFY6-901	NUT LOCK 22MM	NUT LOCK 22MM	1	
	90403	90403-KUDU-C00	WASHER THRUST 22.2*39*2.5	WASHER THRUST 22.2*39*2.5	1	
	90701	90701-GFY6-901	CAP STARTING ROLLER SPRING	CAP STARTING ROLLER SPRING	1	
	91101	91101-1K79-C00	ROLLER 10*10	ROLLER 10*10	1	
	91104	91104-GFY6-C00	ROLLER 10*10	ROLLER 10*10	1	
	94050	94050-06080-G	NUT FLANGE 6MM	NUT FLANGE 6MM	1	
	96001-06012	96001-06012-08G	BOLT FLANGE SH 6*12 (C)	BOLT FLANGE SH 6*12 (C)	2	

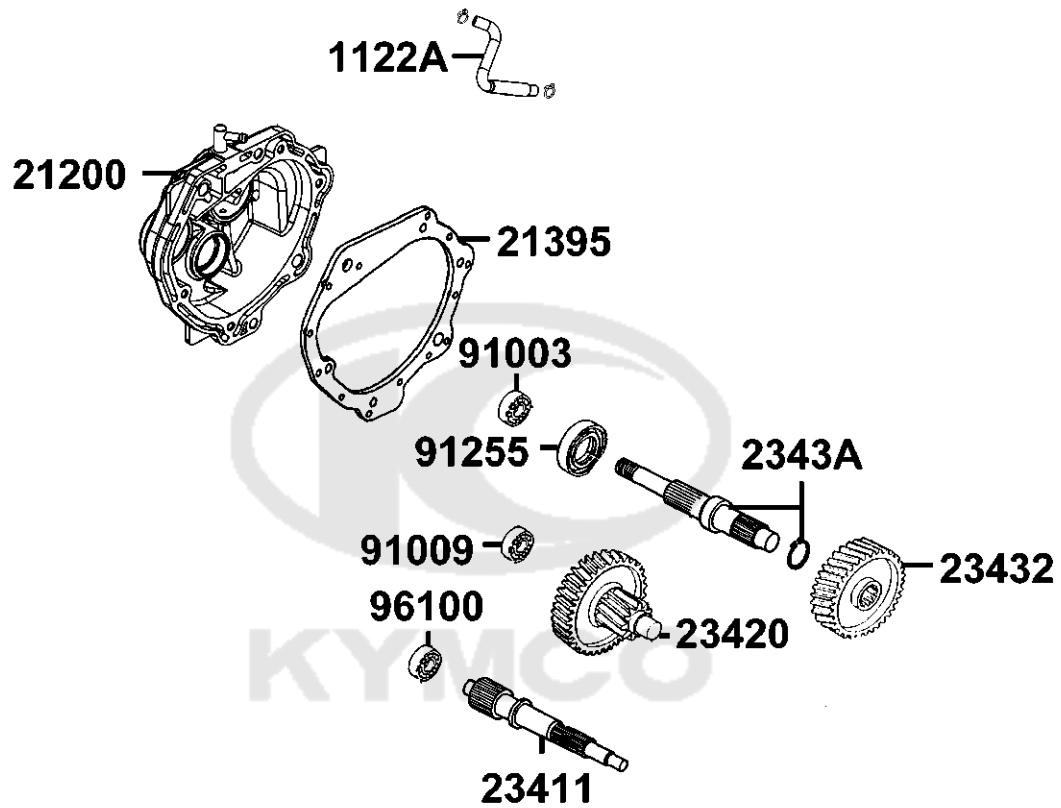
Sales mark	Ref no	Part no	Description	Reg description	Regd no	E07
------------	--------	---------	-------------	-----------------	---------	------------

	96001-06016	96001-06016-08G	SOCKET BOLT 6*16 (C)	SOCKET BOLT 6*16 (C)	2	
	96001-06025	96001-06025-08G	BOLT FLANGE SH 6*25 (C)	BOLT FLANGE SH 6*25 (C)	2	





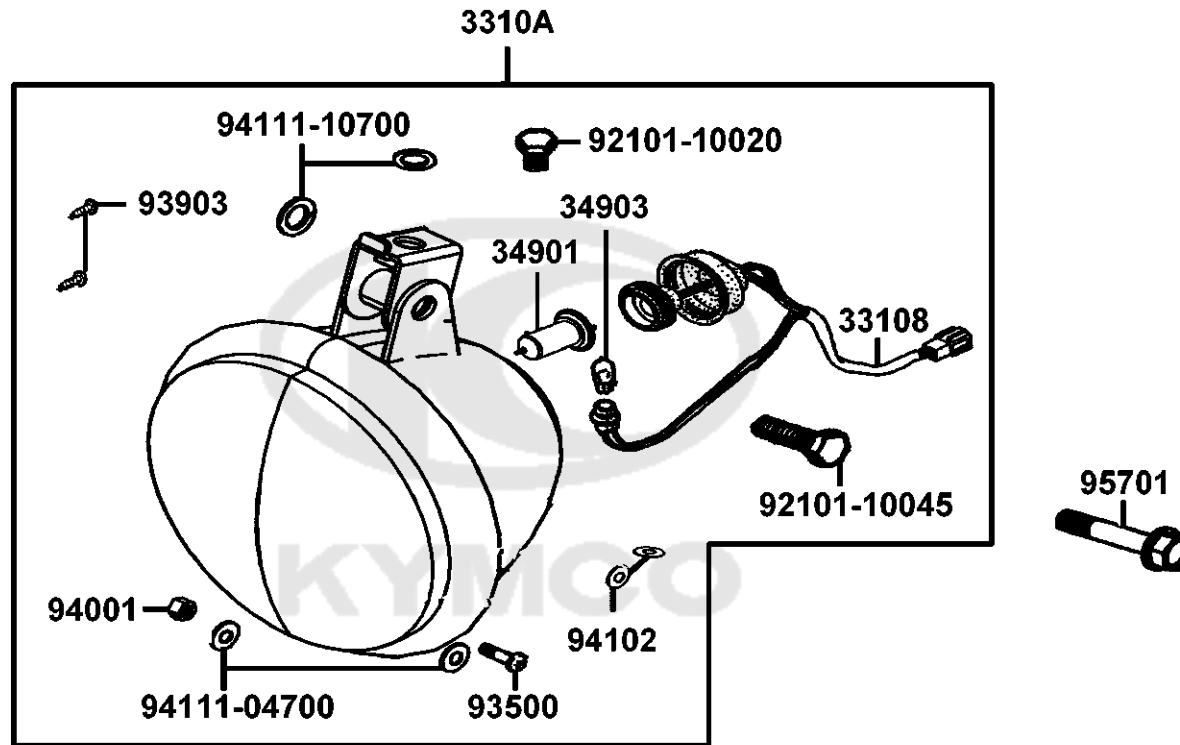
Sales mark	Ref no	Part no	Description	Reg description	Regd no	E08
	19510	19510-GFY6-C00	FAN COMP COOLING	FAN COMP COOLING	1	
	19610	19610-KUDU-C10	COVER ASSY FAN	COVER ASSY FAN	1	
	1962A	1962A-LEJ8-E00	SHROUD ASSY A	SHROUD ASSY A	1	
	1963A	1963A-AAD2-C00	"SHROUD ASSY., B"	"SHROUD ASSY., B"	1	
	31100	31100-LGS6-E10	AC GEN ASSY	AC GEN ASSY	1	
	31110	31110-KKE3-C00	FLYWHEEL COMP	FLYWHEEL COMP	1	
	31120	31120-LGS6-E10	STATOR COMP	STATOR COMP	1	
	90440	90440-1F66-C00	WASHER PLAIN 12MM	WASHER PLAIN 12MM	1	
	92101	92101-05012-OHG	BOLT HEX 5*12 (C)	BOLT HEX 5*12 (C)	2	
	94050	94050-12080-G	NUT FLANGE 12MM (C)	NUT FLANGE 12MM (C)	1	
	96001-06016	96001-06016-08G	SOCKET BOLT 6*16 (C)	SOCKET BOLT 6*16 (C)	4	
	96001-06018	96001-06018-08G	BOLT FLANGE SH 6*18 (C)	BOLT FLANGE SH 6*18 (C)	4	
	96001-06020	96001-06020-08G	BOLT FLANGE SH 6*20 (C)	BOLT FLANGE SH 6*20 (C)	2	
	96001-06025	96001-06025-08G	BOLT FLANGE SH 6*25 (C)	BOLT FLANGE SH 6*25 (C)	3	



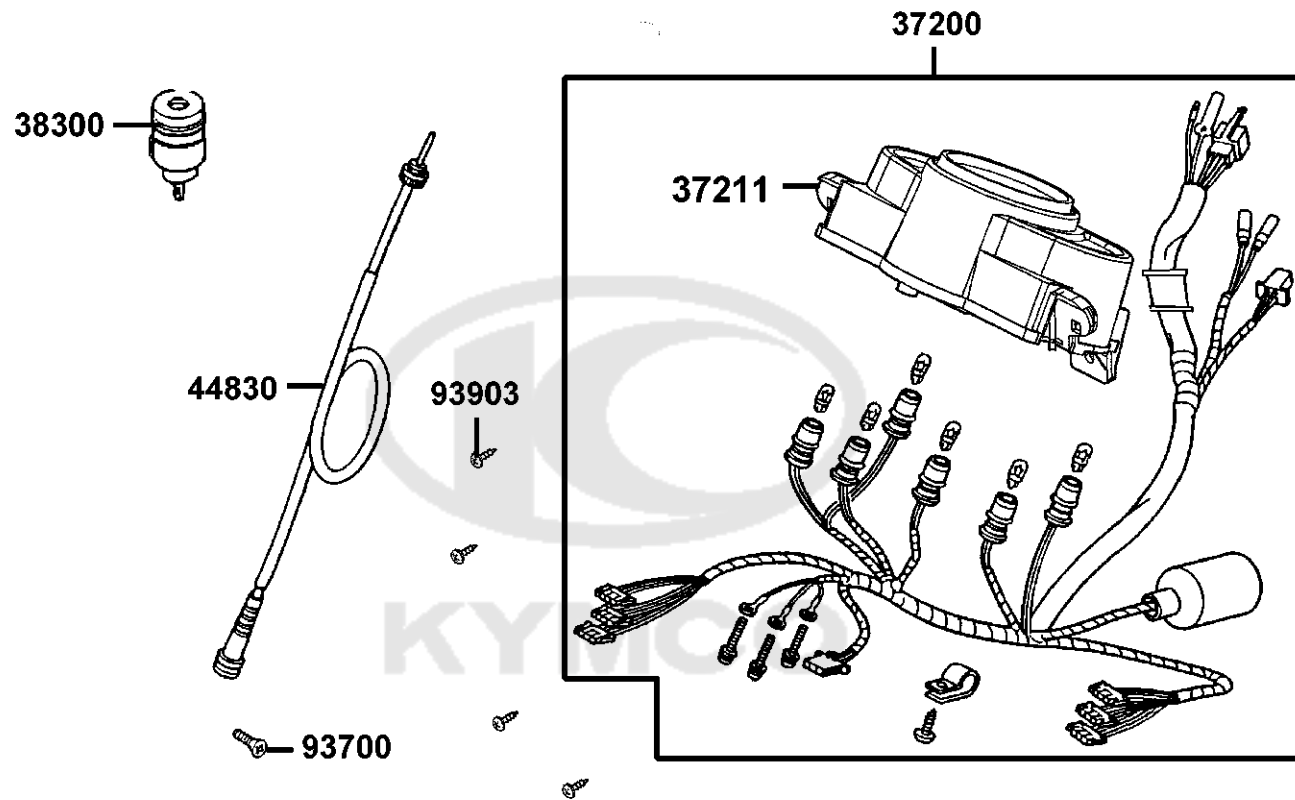
Sales mark	Ref no	Part no	Description	Reg description	Regd no	E09
1122A		1122A-LGR5-E10	TUBE BREATHER MISSION	TUBE BREATHER MISSION	1	
21200		21200-LGR5-E10	CASE COMP MISSION	CASE COMP MISSION	1	
21395		21395-KEC4-E90	GASKET MISSION CASE	GASKET MISSION CASE	1	
23411		23411-KEC4-C00	SHAFT DRIVE	SHAFT DRIVE	1	
23420		23420-KEC4-C00	SHAFT COMP COUNTER	SHAFT COMP COUNTER	1	
23432		23432-KEC4-C00	GEAR FINAL	GEAR FINAL	1	
2343A		2343A-KKD5-C00	SHAFT FINAL	SHAFT FINAL	1	
91003		91003-KDS4-C00	BRG BALL RADIAL 6301TMB	BRG BALL RADIAL 6301TMB	1	
91009		91009-GLE0-C00	BRG BALL RADIAL 6004 UU	BRG BALL RADIAL 6004 UU	1	
91255		91255-LDC8-E10	OIL SEAL 27*42*7 (C)	OIL SEAL 27*42*7 (C)	1	
96100		96100-60020-00	BEARING BALL RADIAL 6002	BEARING BALL RADIAL 6002	1	

F01

Head Light



Sales mark	Ref no	Part no	Description	Reg description	Regd no	F01
33108		33108-ALC8-E60	SOCKET COMP LIGHT HEAD	SOCKET COMP LIGHT HEAD	1	
3310A		3310A-ALC8-E60	SET HEAD LIGHT	SET HEAD LIGHT	1	
34901		34901-LDC8-E10	BULB HEAD LIGHT	BULB HEAD LIGHT	1	
34903		34903-LDC8-E10	BULB POSITION	BULB POSITION	1	
92101-10020		92101-10020-0G	BOLT HEX 10*20	BOLT HEX 10*20	1	
92101-10045		92101-10045-0G	BOLT HEX 10*45	BOLT HEX 10*45	1	
93500		93500-04035-0G	SCREW PAN 4*35	SCREW PAN 4*35	1	
93903		93903-34380	SCREW TAPPING 4*12 (K)	SCREW TAPPING 4*12 (K)	2	
94001		94001-04007-0S	NUT HEX 4MM	NUT HEX 4MM	1	
94102		94102-10700	WASHER PLAIN 10MM (K)	WASHER PLAIN 10MM (K)	2	
94111-04700		94111-04700	WASHER SPG 4MM(K)	WASHER SPG 4MM(K)	2	
94111-10700		94111-10700	WASHER SPG 10MM	WASHER SPG 10MM	2	
95701		95701-10020-07G	BOLT FLANGE 10*20 (K)	BOLT FLANGE 10*20 (K)	1	

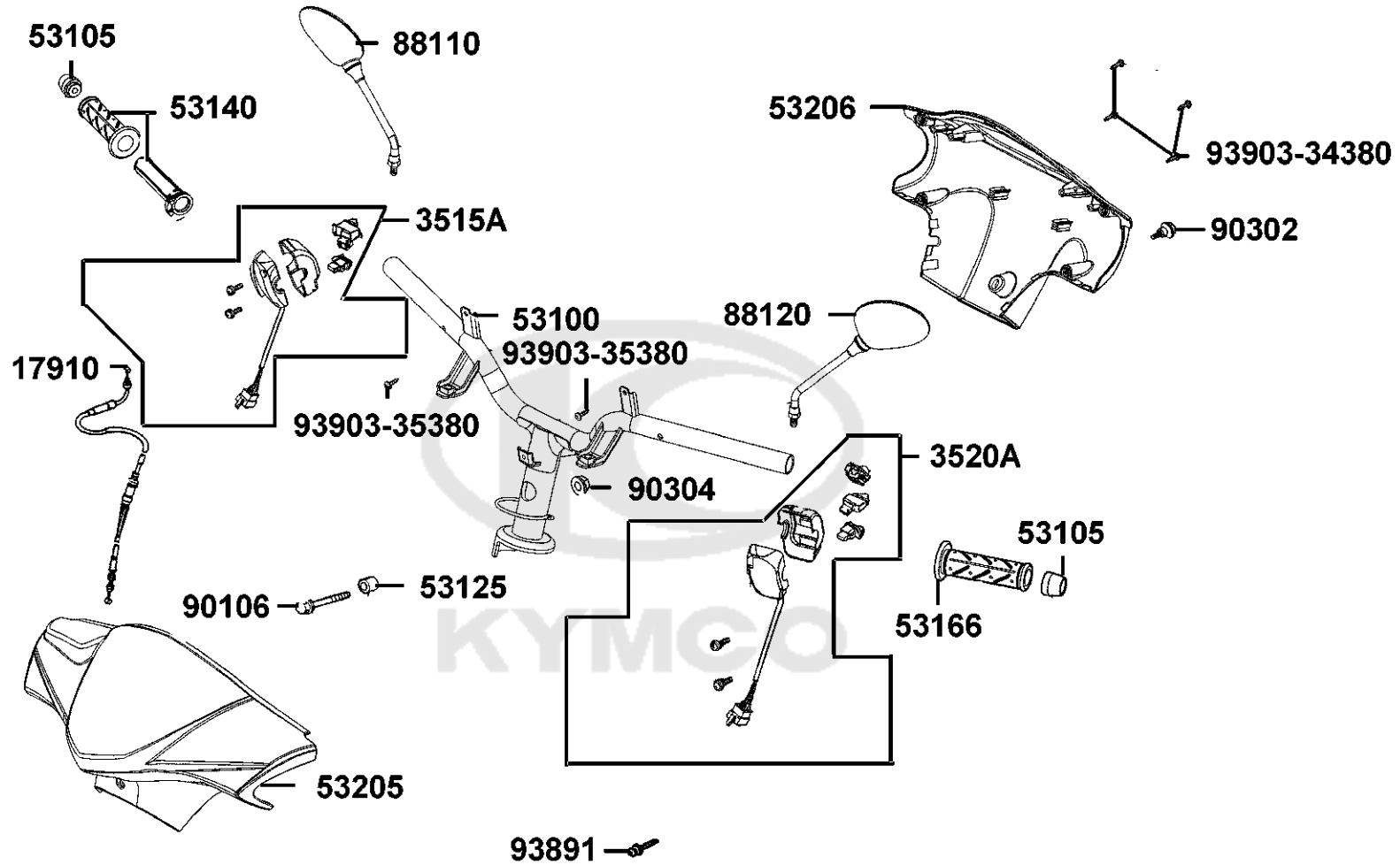


Sales mark	Ref no	Part no	Description	Reg description	Regd no	F02
	37200	37200-ALK6-E15	"METER ASSY.,SPEED"	"METER ASSY.,SPEED"	1	
	37211	37211-LCB9-C10	LENS COMP METER	LENS COMP METER	1	
	38300	38300-KECE-W10	RELAY ASSY WINKER	RELAY ASSY WINKER	1	
	44830	44830-LDC8-E10	CABLE COMP SPDMT	CABLE COMP SPDMT	1	
	93700	93700-05018-0HG	SCREW OVAL 5*18(C)	SCREW OVAL 5*18(C)	1	
	93903	93903-35380-G	SCREW TAPPING 5*16 (K)	SCREW TAPPING 5*16 (K)	4	



F03

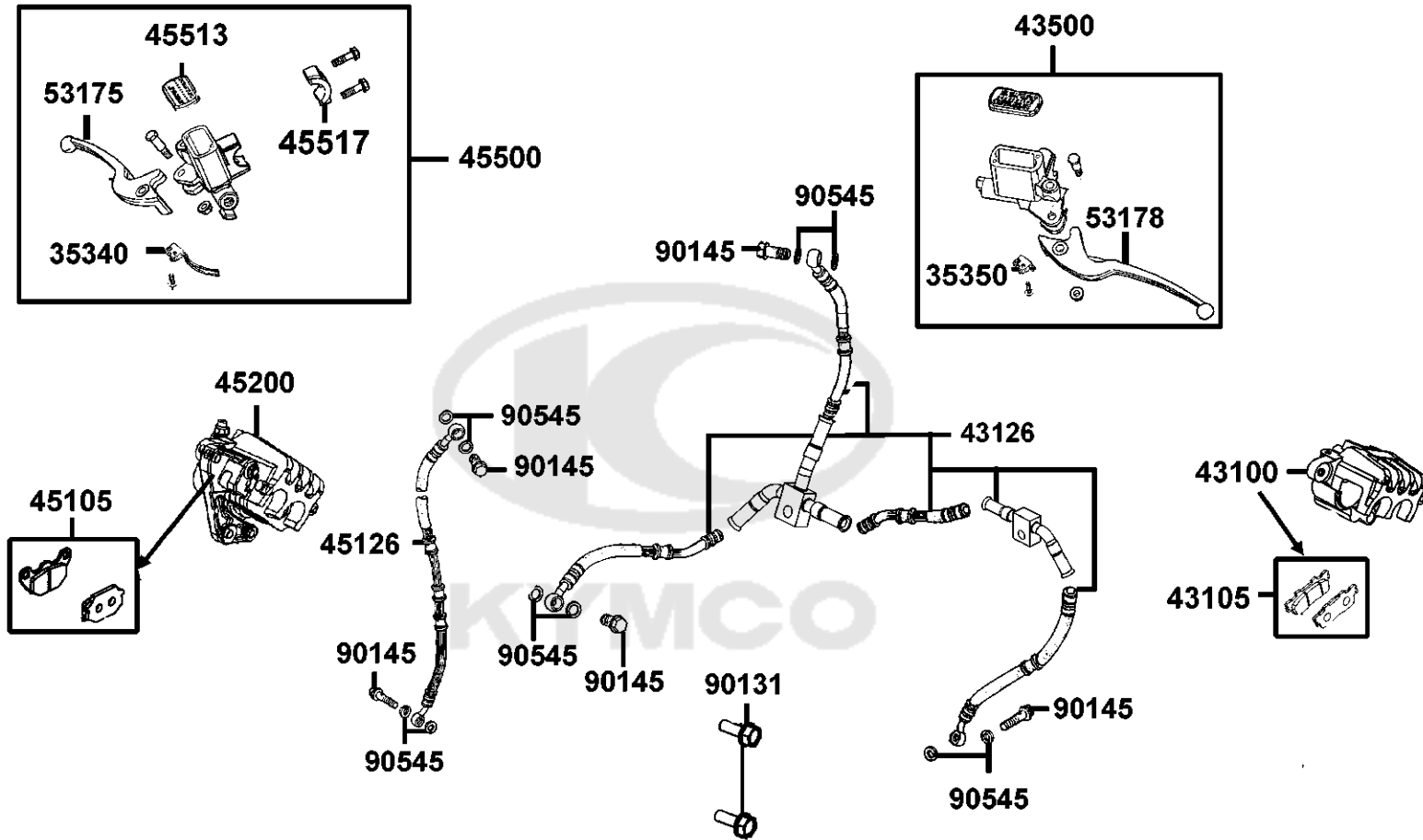
Handle Steering Handle Cover



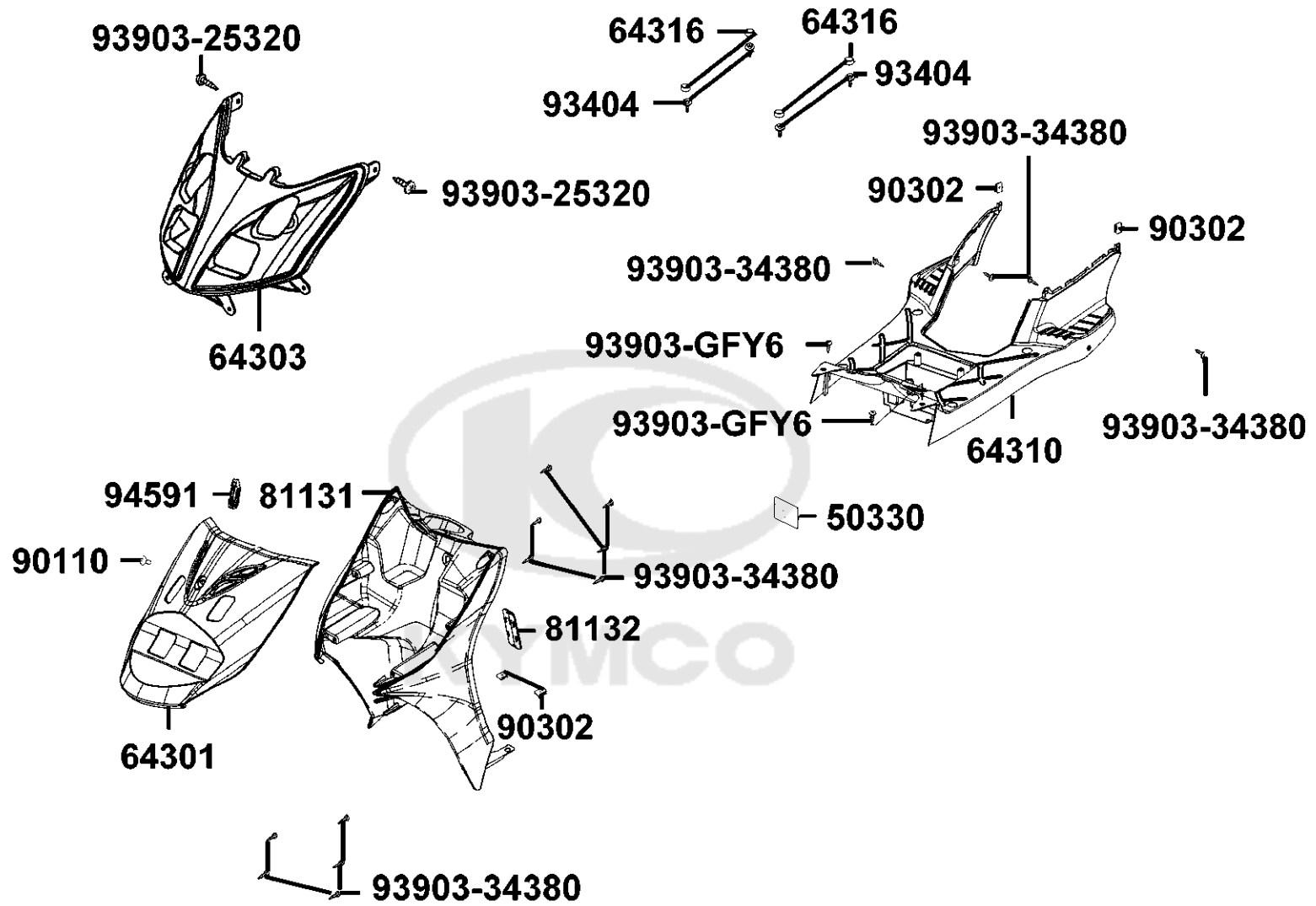
Sales mark	Ref no	Part no	Description	Reg description	Regd no	F03
	17910	17910-ALJ8-E10	CABLE COMPTHROTTLE	CABLE COMPTHROTTLE	1	
	17910	17910-ALJ8-E1D	CABLE COMPTHROTTLE	CABLE COMPTHROTTLE	1	
	3515A	3515A-LGB5-EV0	SW ASSY R HANDLE COMP	SW ASSY R HANDLE COMP	1	
	3520A	3520A-LGB5-E11	SW ASSY LH HANDLE COMP	SW ASSY LH HANDLE COMP	1	
	53100	53100-ALK6-E15	HANDLE COMP STRG	HANDLE COMP STRG	1	
	53105	53105-KNBN-C00	END STRG HANDLE	END STRG HANDLE	2	
	53125	53125-GEN5-C00	COLLAR HANDLE SET	COLLAR HANDLE SET	1	
**	53140	53140-KNBN-C00	GRIP COMP THROT	GRIP COMP THROT	1	
**	53166	53166-KNBN-C00	GRIP L HANDLE	GRIP L HANDLE	1	
**	53205	53205-ALK6-E15	COVER HANDLE FR	COVER HANDLE FR	1	
**	53206	53206-LCB9-C10	COVE RHANDLE RR	COVE RHANDLE RR	1	
	88110	88110-LCB9-C11	MIRROR ASSY R BACK	MIRROR ASSY R BACK	1	
	88120	88120-LCB9-C11	MIRROR ASSY L BACK	MIRROR ASSY L BACK	1	
	90106	90106-PUA3-B50	BOLT FLANGE 10*50	BOLT FLANGE 10*50	1	
	90302	90302-KNBN-C01	BOLT PAN 5*15.5(K)	BOLT PAN 5*15.5(K)	1	
	90304	90304-GHE8-C01	NUT U 10MM(C)	NUT U 10MM(C)	1	
	93891	93891-05035-07G	SCREW WASHER 5*35(K)	SCREW WASHER 5*35(K)	1	
	93903-34380	93903-34380-G	SCREW TAPPING 4*12 (K)	SCREW TAPPING 4*12 (K)	4	
	93903-35380	93903-35380-G	SCREW TAPPING 5*16 (K)	SCREW TAPPING 5*16 (K)	2	

F04

Brake Master Cylinder



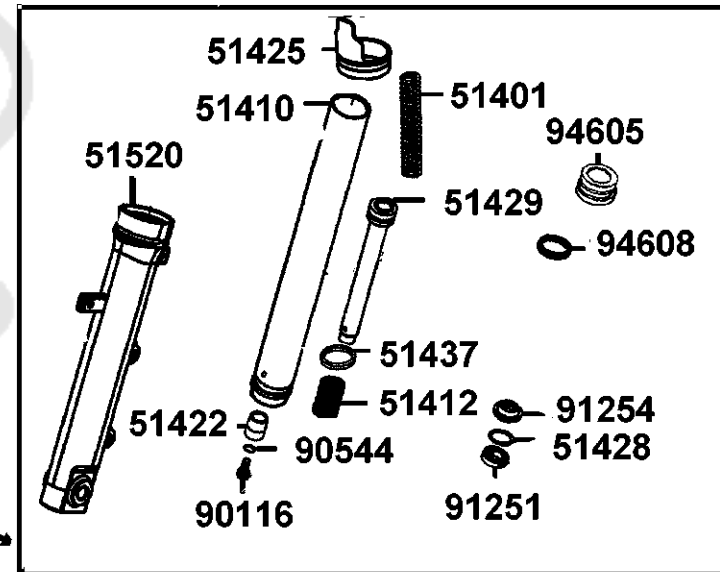
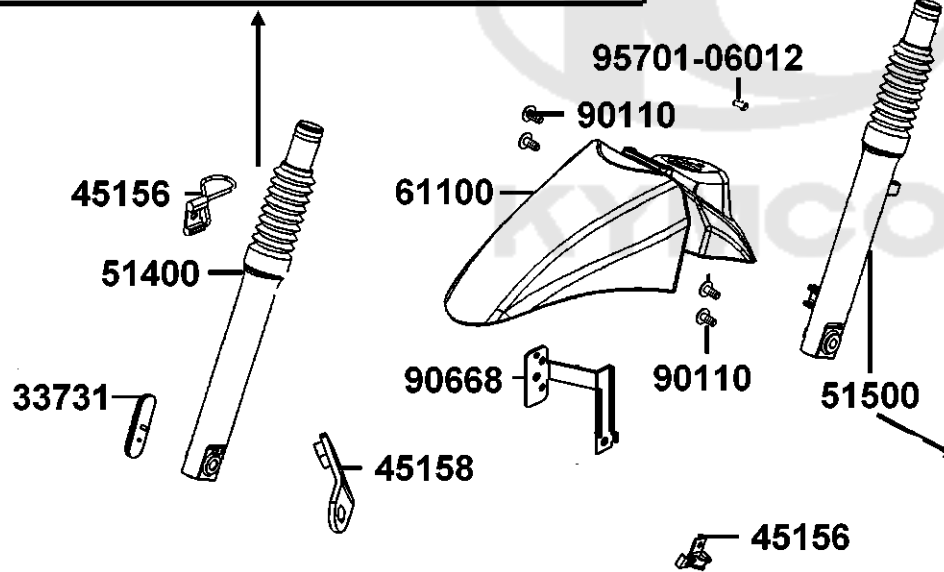
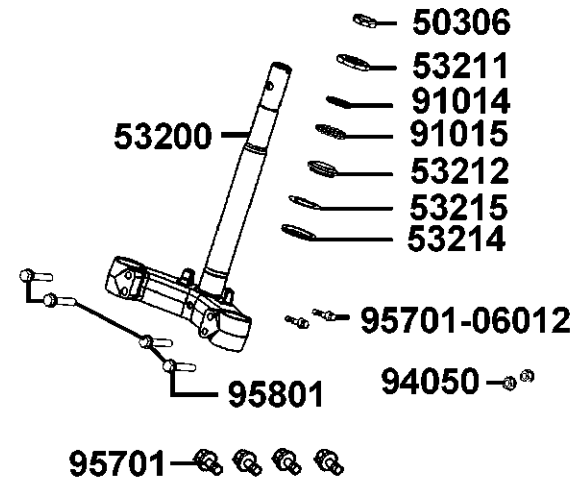
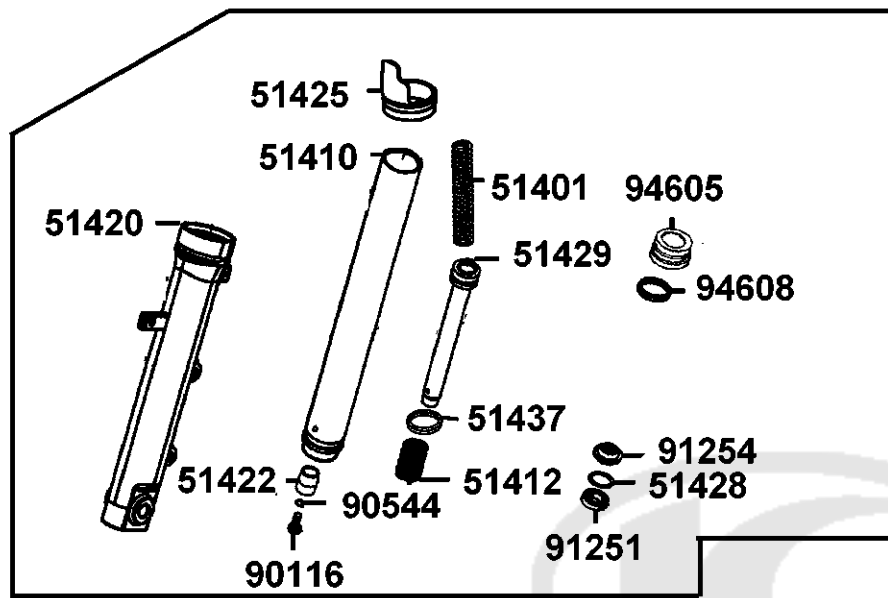
Sales mark	Ref no	Part no	Description	Reg description	Regd no	F04
	35340	35340-KNBN-C00	SW ASSY FR STOP	SW ASSY FR STOP	1	
	35350	35350-KNBN-C00	SW ASSY RR STOP	SW ASSY RR STOP	1	
	43100	43100-ALD9-E14	CALIPER ASSY FR BRK	CALIPER ASSY FR BRK	1	
	43105	43105-ALD9-305	PAD A&B	PAD A&B	1	
	43126	43126-ALK6-E15	HOSE ASSY RR BRK	HOSE ASSY RR BRK	2	
	43500	43500-ALK6-E15	"M/C ASSY, RR"	"M/C ASSY, RR"	1	
	45105	45105-ACC1-305	PAD COMP A&B	PAD COMP A&B	1	
	45126	45126-ALK6-E15	HOSE ASSY FR BRK	HOSE ASSY FR BRK	2	
	45200	45200-ALK6-E15	"CALIPER ASSY, FR"	"CALIPER ASSY, FR"	1	
	45500	45500-ALK6-E15	CYLINDER ASSY FR MASTER	CYLINDER ASSY FR MASTER	1	
	45513	45513-KFAF-901	CAP M/C	CAP M/C	1	
	45517	45517-KFAF-910	HOLDER M/C	HOLDER M/C	1	
	53175	53175-KTCT-C00	LEVER R STRG HNDL	LEVER R STRG HNDL	1	
**	53178	53178-KNBN-C00	LEVER L STRG HANDLE	LEVER L STRG HANDLE	1	
	90131	90131-GLW0-C02	BOLT FLANGE 8*35	BOLT FLANGE 8*35	2	
	90145	90145-9A61-C00	OIL BOLT 10*22	OIL BOLT 10*22	8	
	90545	90545-3L00-C00	WASHER OIL BOLT	WASHER OIL BOLT	1	



Sales mark	Ref no	Part no	Description	Reg description	Regd no	F05
	50330	50330-KEBE-C00	SEAL BATTER FRONT	SEAL BATTER FRONT	1	
**	64301	64301-ALA9-E70	COVER FR	COVER FR	1	
**	64303	64303-ALC9-E10	LID FR COVER	LID FR COVER	1	
**	64310	64310-LCB9-C10	PANEL FLOOR	PANEL FLOOR	1	
**	64316	64316-LCB9-C10	PLUG FLOOR	PLUG FLOOR	2	
**	81131	81131-ALA9-E70	LEG SHIELD	LEG SHIELD	1	
**	81132	81132-LCB9-C10	LID LEG SHIELD	LID LEG SHIELD	1	
	90110	90110-GLW0-C00	SCREW SPECIAL 6*14(CR)	SCREW SPECIAL 6*14(CR)	1	
	90302	90302-SDA4-C01	NUT SPRING 4MM	NUT SPRING 4MM	4	
	93404	93404-06020-07G	BOLT WASHER 6*20 (K)	BOLT WASHER 6*20 (K)	2	
	93903-25320	93903-25320-G	SCREW TAPPING 5*16 (C)	SCREW TAPPING 5*16 (C)	2	
	93903-34380	93903-34380-G	SCREW TAPPING 4*12 (K)	SCREW TAPPING 4*12 (K)	17	
	93903-GFY6	93903-GFY6-C01	SCREW TAPPING 4*14(K)	SCREW TAPPING 4*14(K)	2	
	94591	94591-LGR5-E10	CLIP 1*100	CLIP 1*100	1	

F06

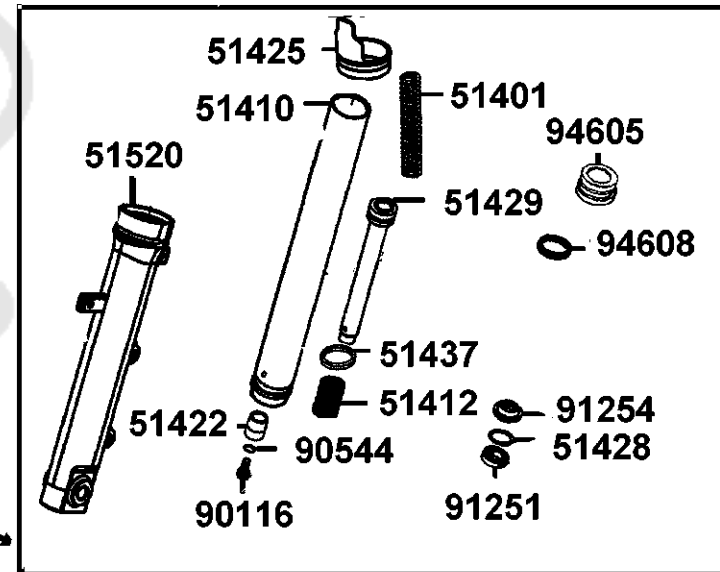
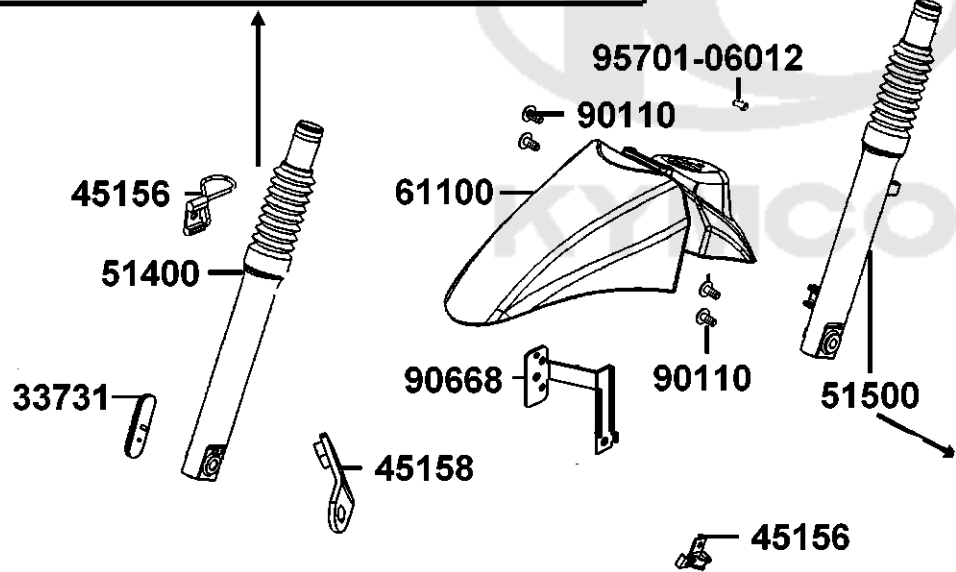
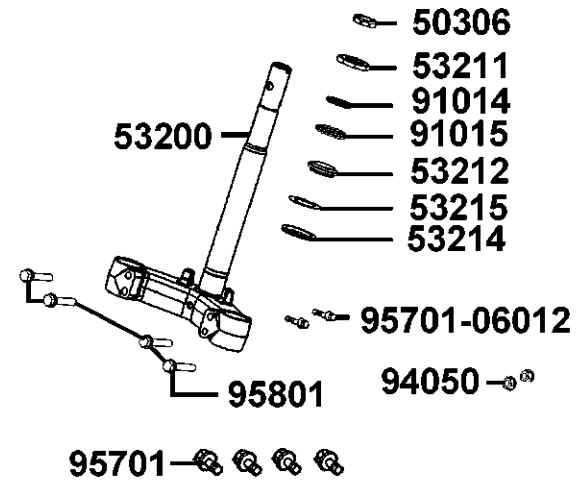
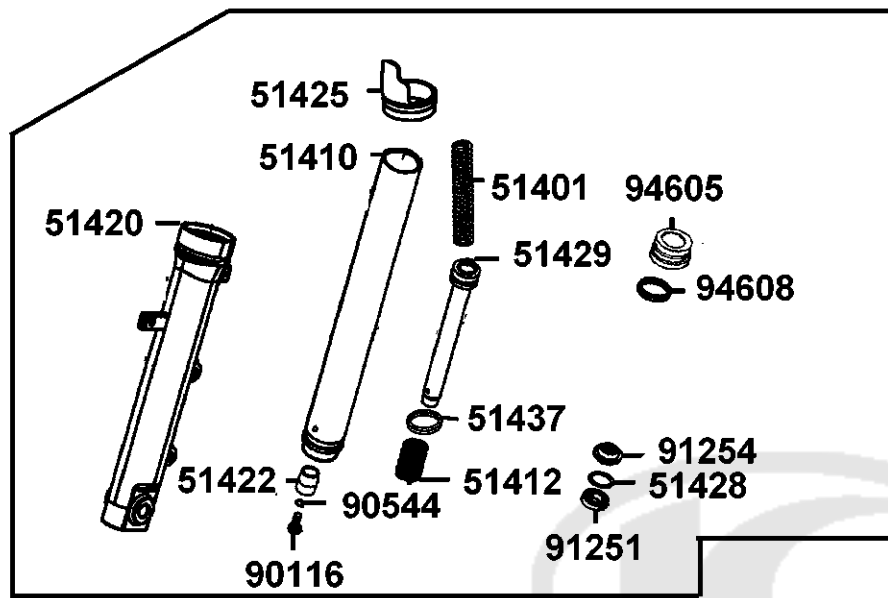
Stem Steering Front Cushion FENDER FR



Sales mark	Ref no	Part no	Description	Reg description	Regd no	F06
33731		33731-KGB5-C00	REFLEX REFLECTOR SIDE	REFLEX REFLECTOR SIDE	1	
45156		45156-ALK6-E15	CLAMPER BRAKE HOSE	CLAMPER BRAKE HOSE	2	
45158		45158-ALK6-E15	CONNECT PLATE	CONNECT PLATE	1	
50306		50306-1F96-C00	NUT STRG STEM LOCK	NUT STRG STEM LOCK	1	
51400		51400-LDF7-E10	FORK ASSY FR R	FORK ASSY FR R	1	
51401		51401-LDC8-E10	SPRING	SPRING	2	
51410		51410-LDC8-E10	FORK PIPE COMP	FORK PIPE COMP	2	
51412		51412-LDC8-E10	REBOUND SPRING	REBOUND SPRING	2	
51420		51420-LDF7-E10	BOTTOM CASE R	BOTTOM CASE R	1	
51422		51422-LDC8-E10	OIL LOCK PIECE	OIL LOCK PIECE	2	
51425		51425-LDF7-E10	DUST COVER	DUST COVER	2	
51428		51428-LDC8-E10	OIL SEAL STOPPER RING	OIL SEAL STOPPER RING	2	
51429		51429-LDC8-E10	PIPE SEAT	PIPE SEAT	2	
51437		51437-LDC8-E10	PISTON RING	PISTON RING	2	
51500		51500-LDF7-E10	FORK ASSY FR L	FORK ASSY FR L	1	
51520		51520-LDF7-E10	BOTTOM CASE L	BOTTOM CASE L	1	
53200		53200-ALK6-E15	STEM COMP STRG	STEM COMP STRG	1	
53211		53211-GFY6-C00	RACE STRG TOP CONE	RACE STRG TOP CONE	1	
53212		53212-2L50-C00	RACE (STRG BOTTOM) CONE	RACE (STRG BOTTOM) CONE	1	
53214		53214-2L50-C00	DUST SEAL STRG (HEAD)	DUST SEAL STRG (HEAD)	1	

F06

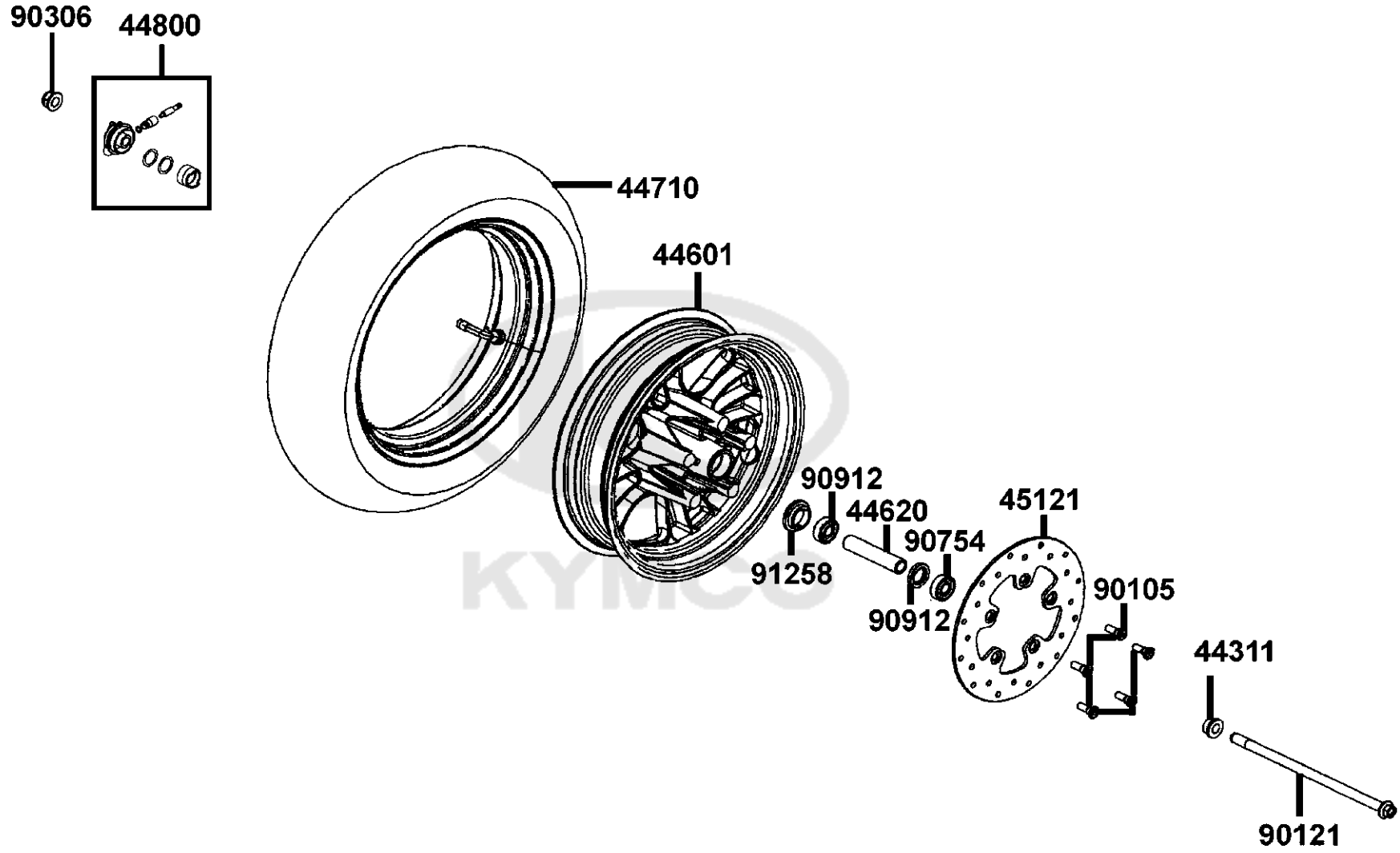
Stem Steering Front Cushion FENDER FR



Sales mark	Ref no	Part no	Description	Reg description	Regd no	F06
	53215	53215-2L50-C00	WASH STRG HDL DUST-SEAL	WASH STRG HDL DUST-SEAL	1	
**	61100	61100-LDC8-E10	FENDER FR	FENDER FR	1	
	90110	90110-KEB7-C01	SCREW SPECIAL 6*14	SCREW SPECIAL 6*14	4	
	90116	90116-LDC8-E10	BOLT	BOLT	2	
	90544	90544-LDC8-E10	PACKING	PACKING	2	
	90668	90668-LDC8-E10	STAY SIDE REFLECTOR	STAY SIDE REFLECTOR	1	
	91014	91014-LLJ3-C00	CAGE STRG TOPP	CAGE STRG TOPP	1	
	91015	91015-LLJ3-C00	CAGE STRG BOT	CAGE STRG BOT	1	
	91251	91251-LDC8-E10	OIL SEAL	OIL SEAL	2	
	91254	91254-LDC8-E10	DUST SEAL	DUST SEAL	2	
	94050	94050-05080-G	NUT FLANGE 5MM	NUT FLANGE 5MM	1	
	94605	94605-LDC8-E10	FORK BOLT	FORK BOLT	2	
	94608	94608-LDC8-E10	O-RING	O-RING	2	
	95701	95701-06012-07G	BOLT FLANGE 6*12 (K)	BOLT FLANGE 6*12 (K)	4	
	95701-06012	95701-06012-08G	BOLT FLANGE 6*12 (C)	BOLT FLANGE 6*12 (C)	1	
	95801	95801-08040-08G	BOLT FLANGE 8*40 (C)	BOLT FLANGE 8*40 (C)	4	

F07

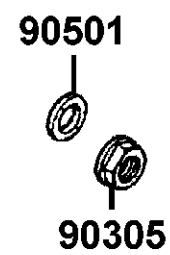
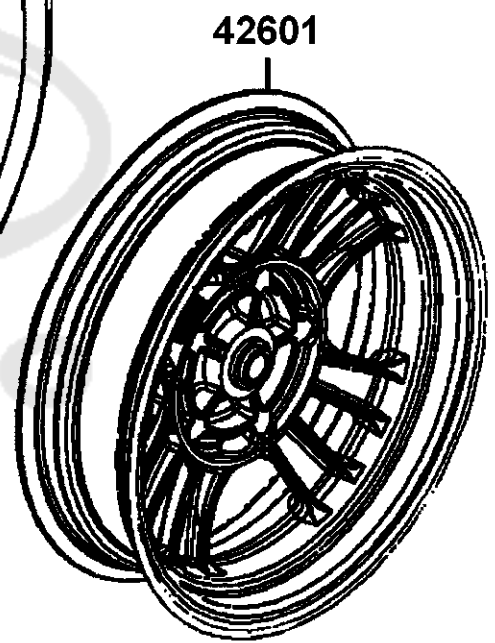
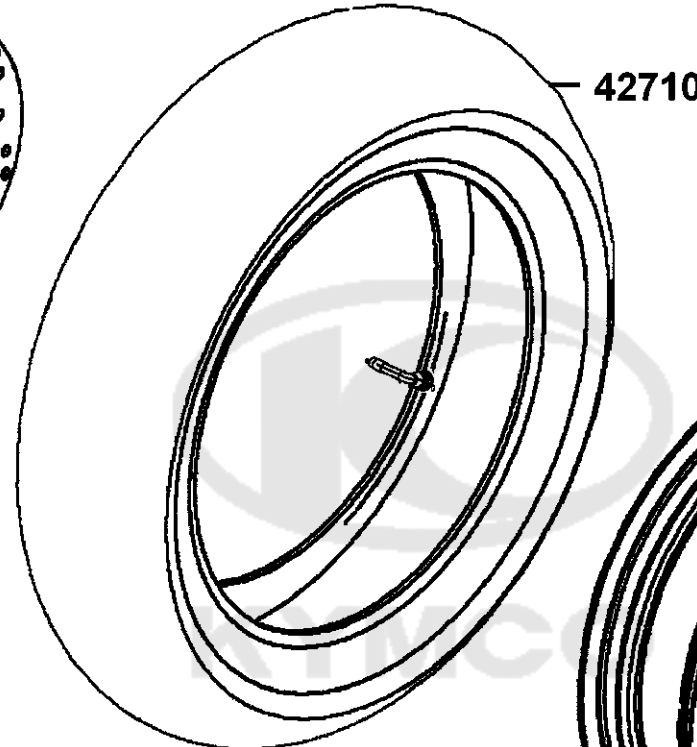
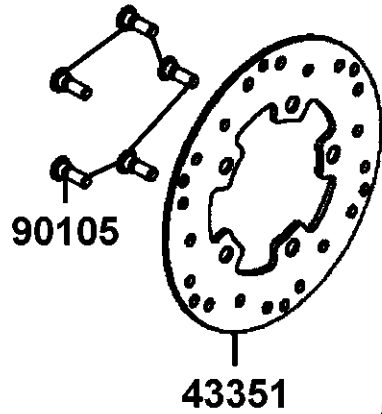
Front Wheel



Sales mark	Ref no	Part no	Description	Reg description	Regd no	F07
	44311	44311-GLW0-W10	COLLAR FR WHEEL SIDE	COLLAR FR WHEEL SIDE	1	
**	44601	44601-LGR5-E10	WHEEL COMP FR CAST	WHEEL COMP FR CAST	1	
	44620	44620-KEB7-C00	COLLAR FR DIST	COLLAR FR DIST	1	
	44710	44710-LDC8-E11	TIRE ASSYFR	TIRE ASSYFR	1	
	44800	44800-LDC8-E10	GEAR BOX ASSY SPDMT	GEAR BOX ASSY SPDMT	1	
	45121	45121-LGR5-E80	DISK FR BRK	DISK FR BRK	1	
	90105	90105-KCR3-C02	BOLT FR DISK 8*24	BOLT FR DISK 8*24	5	
	90121	90121-KBE2-C01	BOLT RR FORK PIVOT	BOLT RR FORK PIVOT	1	
	90306	90306-KLF0-C02	NUT FLANGE 12MM(B)	NUT FLANGE 12MM(B)	1	
	90754	90754-GHC8-C00	DUST SEAL 20*32*5	DUST SEAL 20*32*5	1	
	90912	90912-GHC8-C00	BEARING 6201 (U)	BEARING 6201 (U)	2	
	91258	91258-KAM1-C00	SEAL SPDMT GEAR BOX	SEAL SPDMT GEAR BOX	1	

F08

Rear Wheel

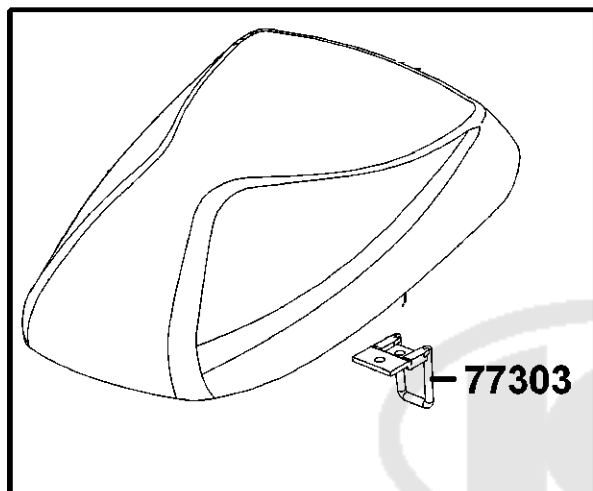


Sales mark	Ref no	Part no	Description	Reg description	Regd no	F08
**	42601	42601-LGR5-E10	WHEEL COMP RR CAST	WHEEL COMP RR CAST	1	
	42710	42710-LDC8-E11	TIRE ASSY RR	TIRE ASSY RR	1	
	43351	43351-LFB5-E80	DISK FR BRK	DISK FR BRK	1	
	90105	90105-KCR3-C02	BOLT FR DISK 8*24	BOLT FR DISK 8*24	5	
	90305	90305-PUA3-B51	NUT U 16MM(C)	NUT U 16MM(C)	1	
	90501	90501-KNBN-C01	WASHER 16MM	WASHER 16MM	1	



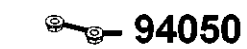
F09

Seat

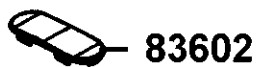


77200

77303

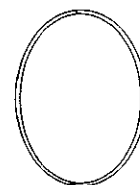
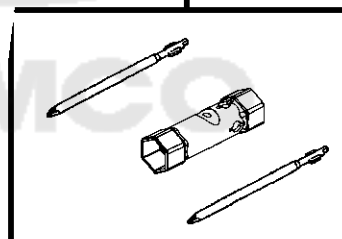


94050



83602

89010

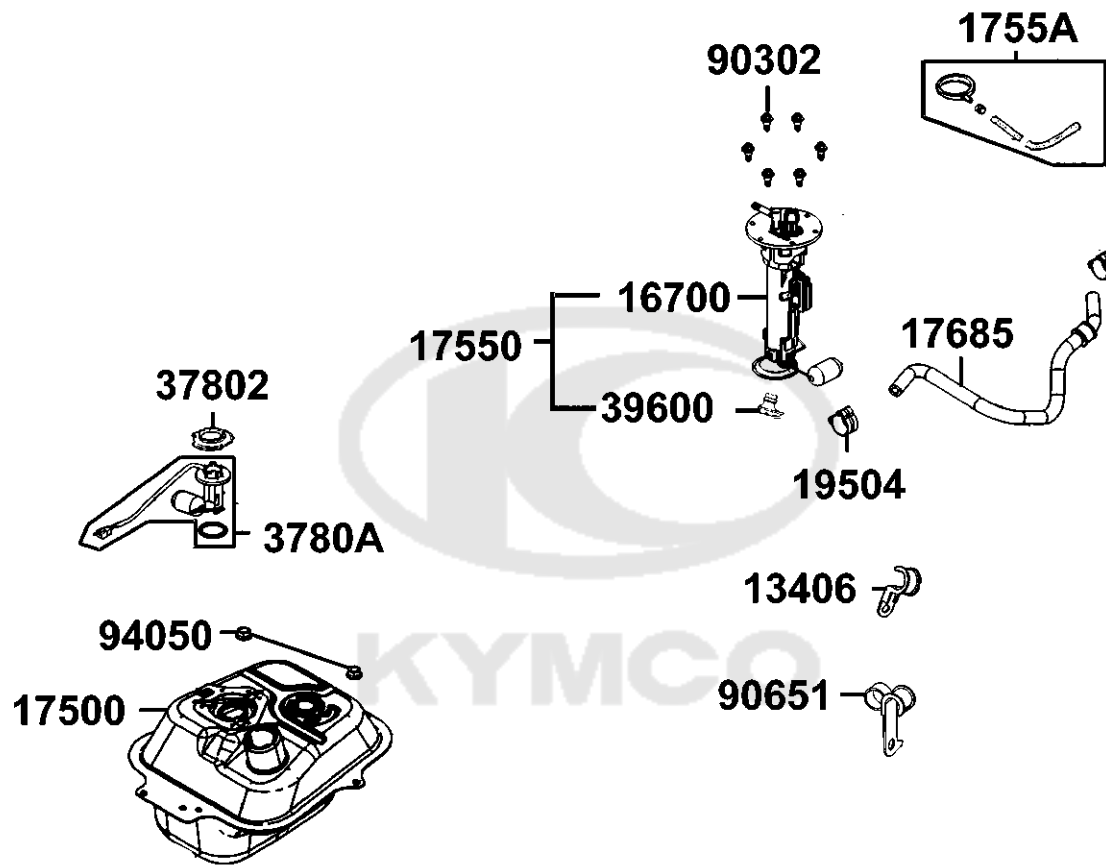


89020

Sales mark	Ref no	Part no	Description	Reg description	Regd no	F09
------------	--------	---------	-------------	-----------------	---------	------------

**	77200	77200-ALC9-E10	SEAT ASSY	SEAT ASSY	1	
	77303	77303-LCB9-C10	HOOK SEAT LOCK	HOOK SEAT LOCK	1	
**	83602	83602-ALC8-E60	GAP BODY COVER	GAP BODY COVER	1	
	89010	89010-KGBG-C00	TOOL SET	TOOL SET	1	
	89020	89020-KKC4-C00	BAND TOOL SET	BAND TOOL SET	1	
	94050	94050-06080-G	NUT FLANGE 6MM	NUT FLANGE 6MM	2	

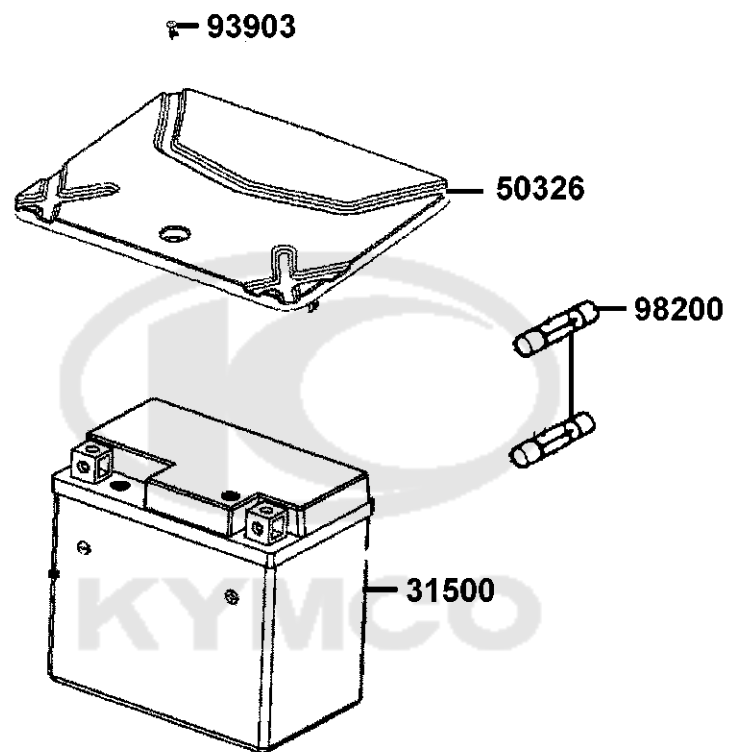




Sales mark	Ref no	Part no	Description	Reg description	Regd no	F10
13406		13406-LHJ8-900	CLAMPER FUEL TUBE	CLAMPER FUEL TUBE	1	
16700		16700-ALB8-930	FUEL PUMP COMP	FUEL PUMP COMP	1	
17500		17500-ALK6-E15	TANK COMP FUEL	TANK COMP FUEL	1	
17550		17550-ACC1-E10	FUEL PUMP ASSY	FUEL PUMP ASSY	1	
1755A		1755A-KKD5-C10	TRAY ASSY FUEL CAP	TRAY ASSY FUEL CAP	1	
17685		17685-ALK6-E15	"TUBE,FUEL"	"TUBE,FUEL"	1	
19504		19504-LBA2-C00	CLAMP D16.8	CLAMP D16.8	2	
37802		37802-GGA7-C00	RET FUEL UNIT	RET FUEL UNIT	1	
3780A		3780A-ALK6-E15	FUEL UNIT ASS'Y	FUEL UNIT ASS'Y	1	
39600		39600-LEA1-800	REGULATOR FUEL	REGULATOR FUEL	1	
90302		90302-GFY6-C11	BOLT-WASH 5*16	BOLT-WASH 5*16	6	
90651		90651-ALJ8-E10	"CLIP,MUDGUARD"	"CLIP,MUDGUARD"	1	
94050		94050-06080-G	NUT FLANGE 6MM	NUT FLANGE 6MM	2	

F11

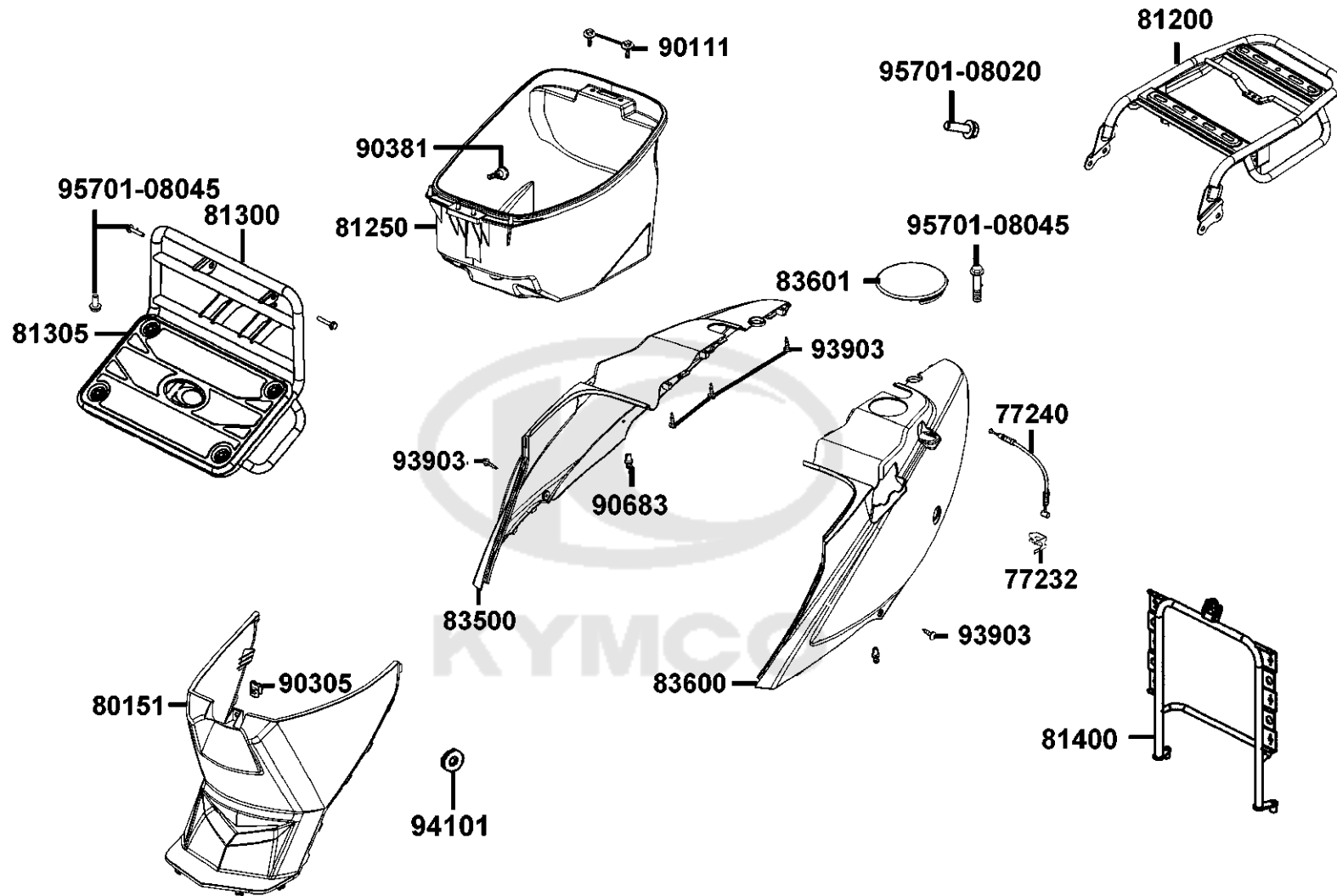
Battery



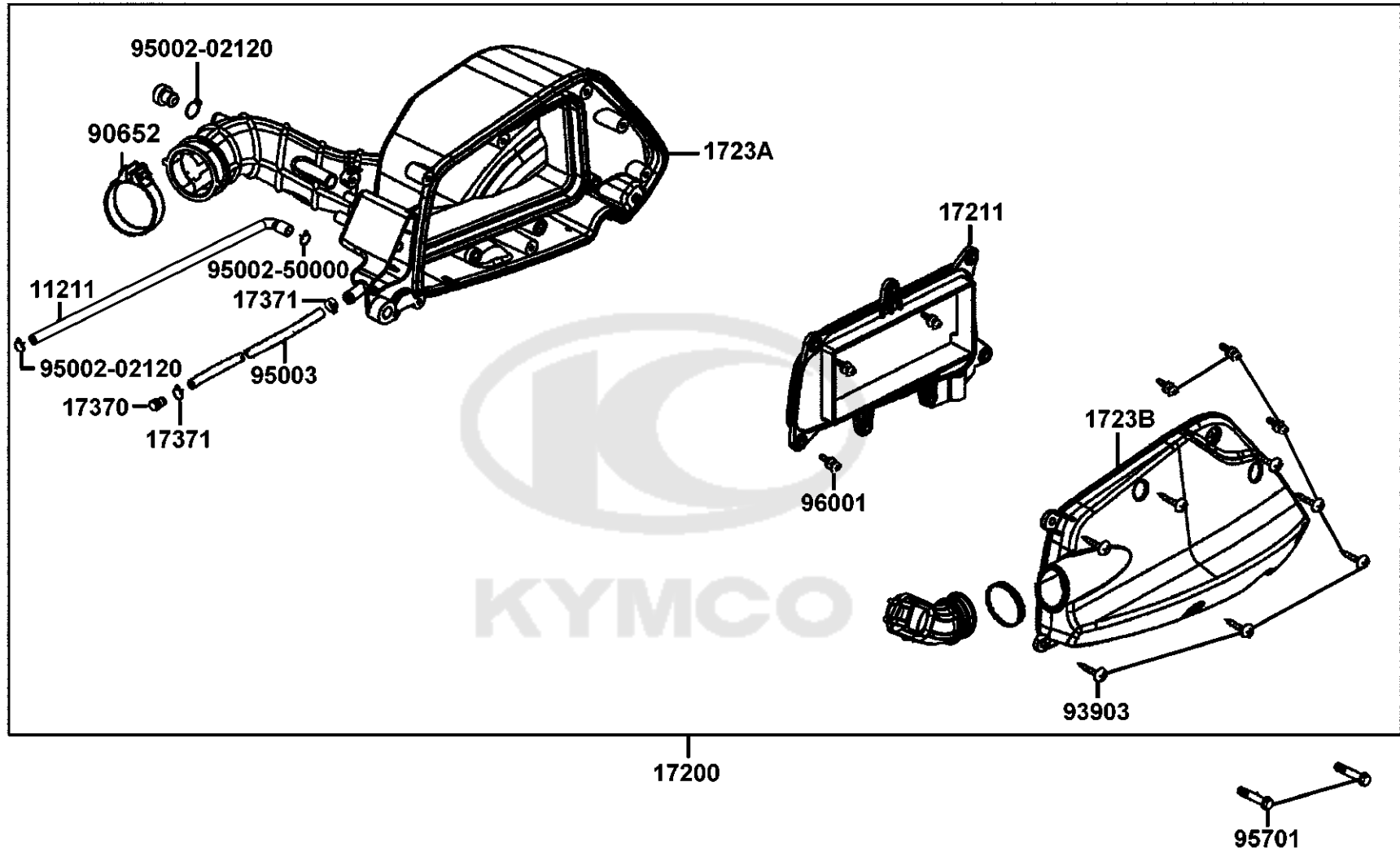
Sales mark	Ref no	Part no	Description	Reg description	Regd no	F11
------------	--------	---------	-------------	-----------------	---------	------------

	31500	31500-ALC8-E60	BATTERY	BATTERY	1	
**	50326	50326-LCB9-C10	COVER BATTERY	COVER BATTERY	1	
	93903	93903-35380-G	SCREW TAPPING 5*16 (K)	SCREW TAPPING 5*16 (K)	1	
	98200	98200-11500	FUSE A15	FUSE A15	2	





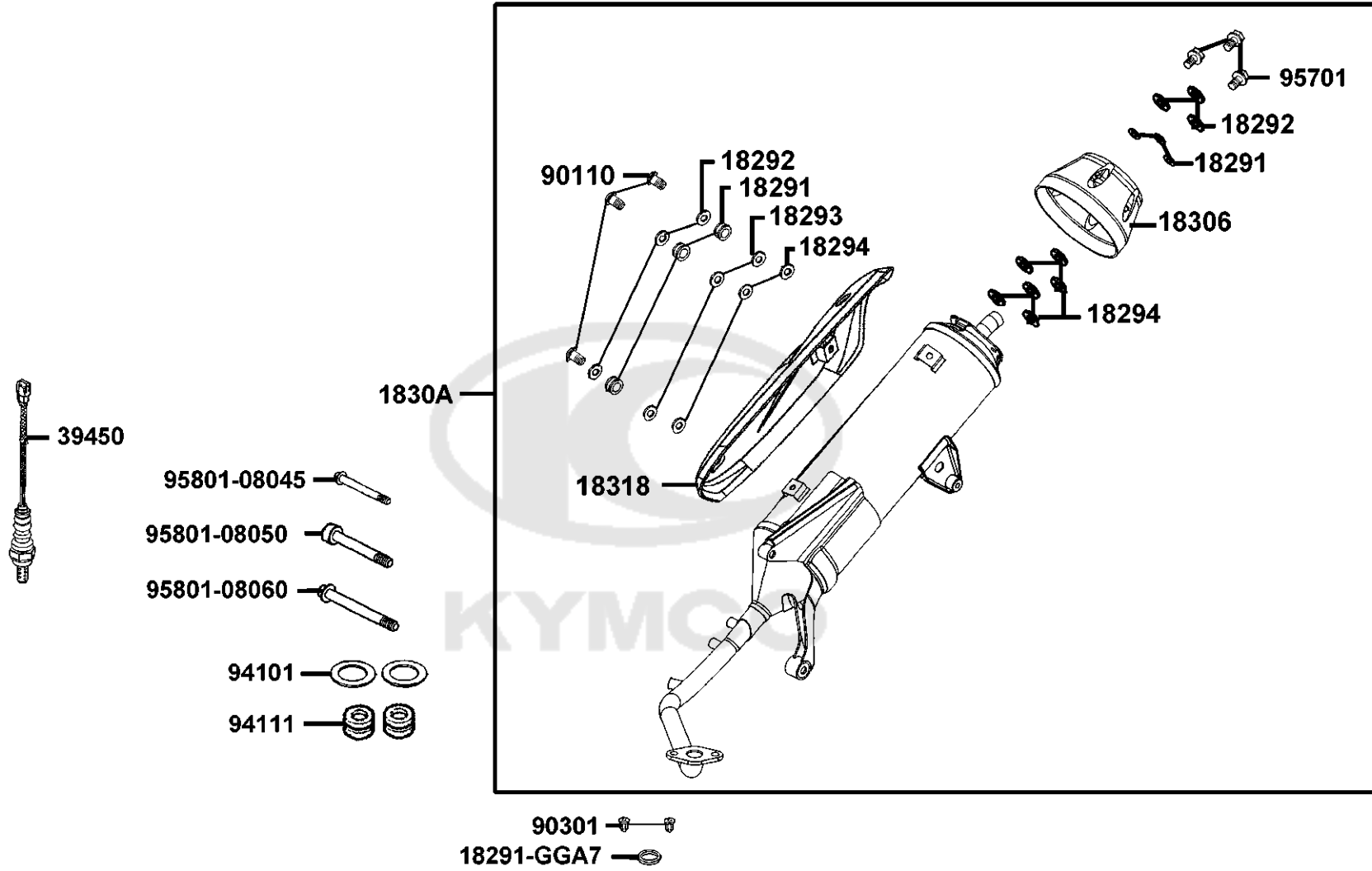
Sales mark	Ref no	Part no	Description	Reg description	Regd no	F12
	77232	77232-KCAC-C00	SET SPG SEAT LOCK	SET SPG SEAT LOCK	1	
	77240	77240-LDC8-E10	CABLE SEAT LOCK	CABLE SEAT LOCK	1	
	77240	77240-LDC8-E10	CABLE SEAT LOCK	CABLE SEAT LOCK	1	
**	80151	80151-LCB9-C10	COVER CENTER	COVER CENTER	1	
	81200	81200-ALC8-E60	CARRIER ASSY LUGGER	CARRIER ASSY LUGGER	1	
**	81250	81250-ALK6-E15	BOX LUGGAGE	BOX LUGGAGE	1	
	81300	81300-ALK6-E15	CARRIER FR	CARRIER FR	1	
**	81305	81305-ALC9-E10	CARRIER FR BOTTOM PLANK	CARRIER FR BOTTOM PLANK	1	
	81400	81400-ALC8-E60	CARRIER FLOOR	CARRIER FLOOR	1	
**	83500	83500-LDF7-E60	COVER R BODY	COVER R BODY	1	
**	83600	83600-LDF7-E61	COVER L BODY	COVER L BODY	1	
**	83601	83601-ALC8-E60	LID BODY COVER	LID BODY COVER	1	
	90111	90111-1G87-C01	BOLT FLANGE 6MM	BOLT FLANGE 6MM	2	
	90305	90305-GHK8-C01	NUT U 16MM(C)	NUT U 16MM(C)	1	
	90381	90381-GEZ5-C01	SCREW SPECIAL 6*17	SCREW SPECIAL 6*17	1	
	90683	90683-GAR1-C00	CLIP BODY COVER	CLIP BODY COVER	2	
	93903	93903-34380-G	SCREW TAPPING 4*12 (K)	SCREW TAPPING 4*12 (K)	5	
	94101	94101-08700-G	WASHER PLAIN 8MM(K)	WASHER PLAIN 8MM(K)	2	
	95701-08020	95701-08020-07G	BOLT FLANGE 8*20 (K)	BOLT FLANGE 8*20 (K)	1	
	95701-08045	95701-08045-07G	BOLT FLANGE 8*45 (K)	BOLT FLANGE 8*45 (K)	2	



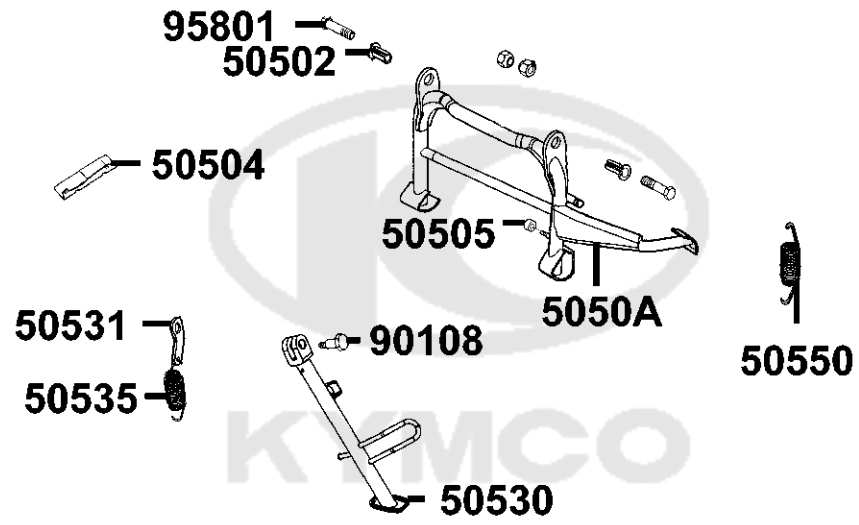
Sales mark	Ref no	Part no	Description	Reg description	Regd no	F13
	11211	11211-KUDU-C00	TUBE BREATHER	TUBE BREATHER	1	
	17200	17200-ALK6-E15	AIR/C ASSY	AIR/C ASSY	1	
	17211	17211-LGR5-E10	ELEMENT COMP AIR/C	ELEMENT COMP AIR/C	1	
	1723A	1723A-ACB3-M40	CASE COMP AIR/C	CASE COMP AIR/C	1	
	1723B	1723B-ALK6-E15	COVER AIR/C COMP	COVER AIR/C COMP	1	
	17370	17370-4K19-C00	PLUG BREATHER TUBE	PLUG BREATHER TUBE	1	
	17371	17371-1D74-C00	CLIP BREATHER TUBE	CLIP BREATHER TUBE	2	
	90652	90652-GFY6-C00	BAND 49 AIR/C CONNECTING TUBE	BAND 49 AIR/C CONNECTING TUBE	1	
	93903	93903-25480	SCREW TAPPING 5*20 (K)	SCREW TAPPING 5*20 (K)	7	
	95002-02120	95002-02120	CLIP B12 TUBE	CLIP B12 TUBE	2	
	95002-50000	95002-50000	CLIP C9 TUBE	CLIP C9 TUBE	1	
	95003	95003-23024-60	V TUBE 8*12*240	V TUBE 8*12*240	1	
	95701	95701-06040-08G	BOLT FLANGE 6*40 (C)	BOLT FLANGE 6*40 (C)	2	
	96001	96001-GFY6-C00	BOLT SPECIAL 5X10	BOLT SPECIAL 5X10	1	

F14

Exhaust Muffler



Sales mark	Ref no	Part no	Description	Reg description	Regd no	F14
	18291-GGA7	18291-GGA7-C01	GASKET EXH PIPE	GASKET EXH PIPE	1	
	18291	18291-KEBE-C00	COLLAR	COLLAR	3	
	18292	18292-KEBE-C00	PACKING PROTECTOR	PACKING PROTECTOR	3	
	18293	18293-KEBE-C00	RUBBER PRK PROTR	RUBBER PRK PROTR	3	
	18294	18294-PUA3-B50	PACKING PTOTECTOR	PACKING PTOTECTOR	8	
	18306	18306-LDF7-E10	"TAIL CAP ,MUFFLER"	"TAIL CAP ,MUFFLER"	1	
	1830A	1830A-ALK6-E15	MUFFLER ASSY EXH	MUFFLER ASSY EXH	1	
	18318	18318-LDF7-E10	PROTECTOR MUFFLER	PROTECTOR MUFFLER	1	
	39450	39450-LEA6-800	O2 SENSOR	O2 SENSOR	1	
	90110	90110-LDC8-E10	SCREW SPECIAL 6X20	SCREW SPECIAL 6X20	3	
	90301	90301-GFY6-C01	NUT (HEX) CAP 8MM	NUT (HEX) CAP 8MM	2	
	94101	94101-08700-G	WASHER PLAIN 8MM(K)	WASHER PLAIN 8MM(K)	2	
	94111	94111-08700-G	WASHER SPG 8MM (K)	WASHER SPG 8MM (K)	2	
	95701	95701-06025-07	BOLT FLANGE 6*25(K)	BOLT FLANGE 6*25(K)	3	
	95801-08045	95801-08045-07G	BOLT FLANGE 8*45 (K)	BOLT FLANGE 8*45 (K)	1	
	95801-08050	95801-08050-07G	BOLT FLANGE 8*50(G)	BOLT FLANGE 8*50(G)	1	
	95801-08060	95801-08060-07	BOLT FLANGE 8*60	BOLT FLANGE 8*60	1	

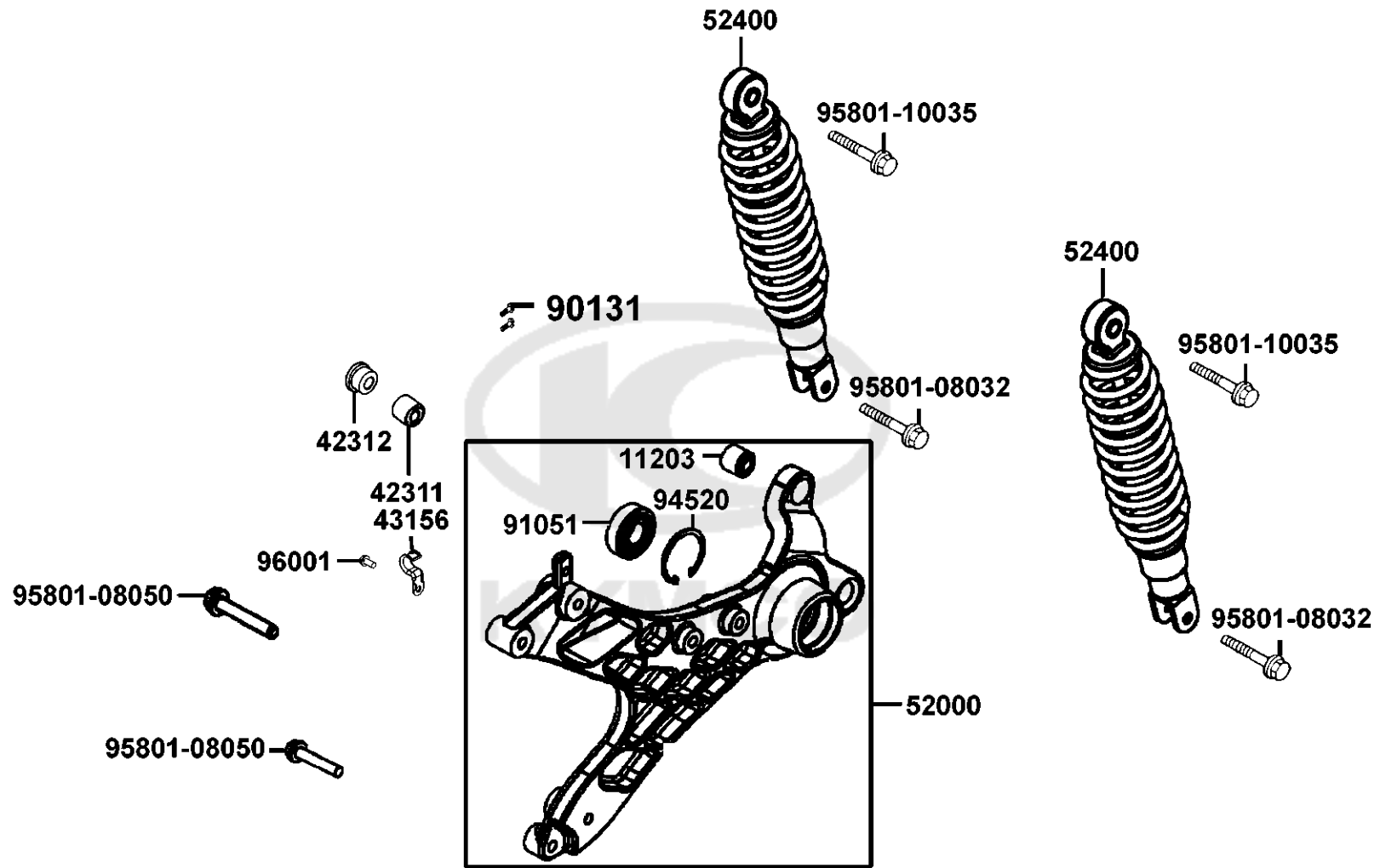


Sales mark	Ref no	Part no	Description	Reg description	Regd no	F15
50502		50502-LDF7-C00	COLLAR MAIN STAND	COLLAR MAIN STAND	2	
50504		50504-LGR5-C00	STAY MAIN STAND COMP	STAY MAIN STAND COMP	1	
50505		50505-LAD9-C00	STOPPER RUBBER	STOPPER RUBBER	1	
5050A		5050A-LGR5-E10	"STAND COMP.,MAIN"	"STAND COMP.,MAIN"	1	
50530		50530-ALC9-E10	SIDE STAND COMP	SIDE STAND COMP	1	
50531		50531-KEB7-C00	PLATE SPRING STOPPER	PLATE SPRING STOPPER	1	
50535		50535-KEB7-W10	SPRING COMP SIDE STAND	SPRING COMP SIDE STAND	1	
50550		50550-KEB7-C00	SPG ASSY MAIN STAND	SPG ASSY MAIN STAND	1	
90108		90108-KFA6-E01	SCREW SIDE STAND PIVOT	SCREW SIDE STAND PIVOT	1	
95801		95801-10025-08G	BOLT FLANGE 10*25C	BOLT FLANGE 10*25C	2	



F16

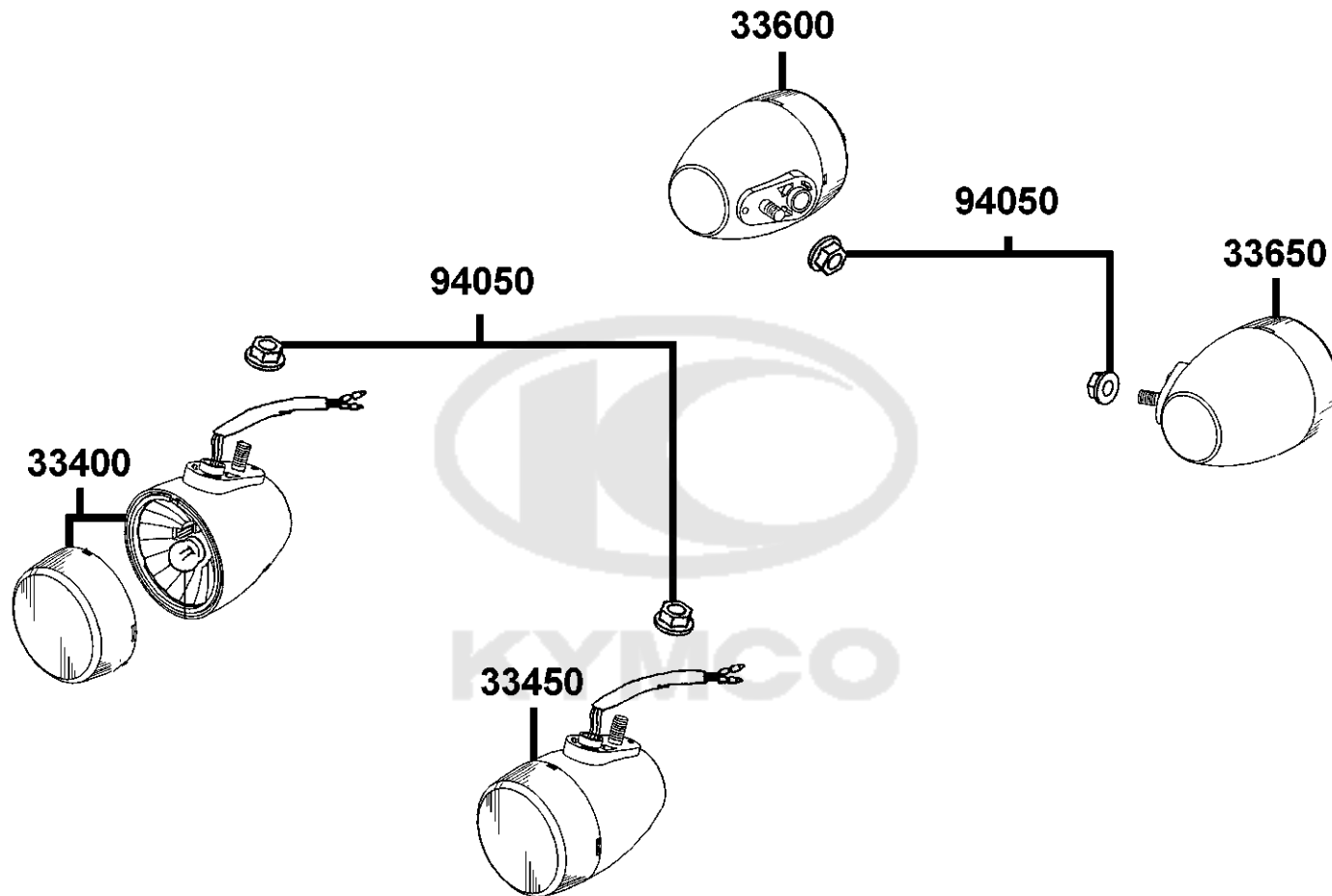
Rear Cushion



Sales mark	Ref no	Part no	Description	Reg description	Regd no	F16
	11203	11203-GGC7-W10	UNDER RUBBER BUSH REAR CUSHION	UNDER RUBBER BUSH REAR CUSHION	1	
	42311	42311-KKD5-C10	COLLAR RR AXLE A	COLLAR RR AXLE A	1	
	42312	42312-LEJ2-E10	"COLLAR,RR AXLE SIDE"	"COLLAR,RR AXLE SIDE"	1	
	43156	43156-LFC3-E10	CLAMPER HOSE RR	CLAMPER HOSE RR	1	
**	52000	52000-LGR5-E10	FORK ASSY R	FORK ASSY R	1	
**	52000	52000-LGR5-E10	FORK ASSY R	FORK ASSY R	1	
**	52400	52400-ALC5-M41	CUSHION ASSY RR	CUSHION ASSY RR	2	
	90131	90131-GLW0-C02	BOLT FLANGE 8*35	BOLT FLANGE 8*35	2	
	91051	91051-KFBF-C00	BRG BALL RADIAL 6203 LLU	BRG BALL RADIAL 6203 LLU	1	
	94520	94520-40000	CIR CLIP IN 40	CIR CLIP IN 40	1	
	95801-08032	95801-08032-07G	BOLT FLANGE 8*32(K)	BOLT FLANGE 8*32(K)	2	
	95801-08050	95801-08050-07G	BOLT FLANGE 8*50(G)	BOLT FLANGE 8*50(G)	2	
	95801-10035	95801-10035-08G	BOLT FLANGE 10*35 (C)	BOLT FLANGE 10*35 (C)	2	
	96001	96001-06012-07G	BOLT FLANGE SH 6X12	BOLT FLANGE SH 6X12	1	

F17

Front Winker

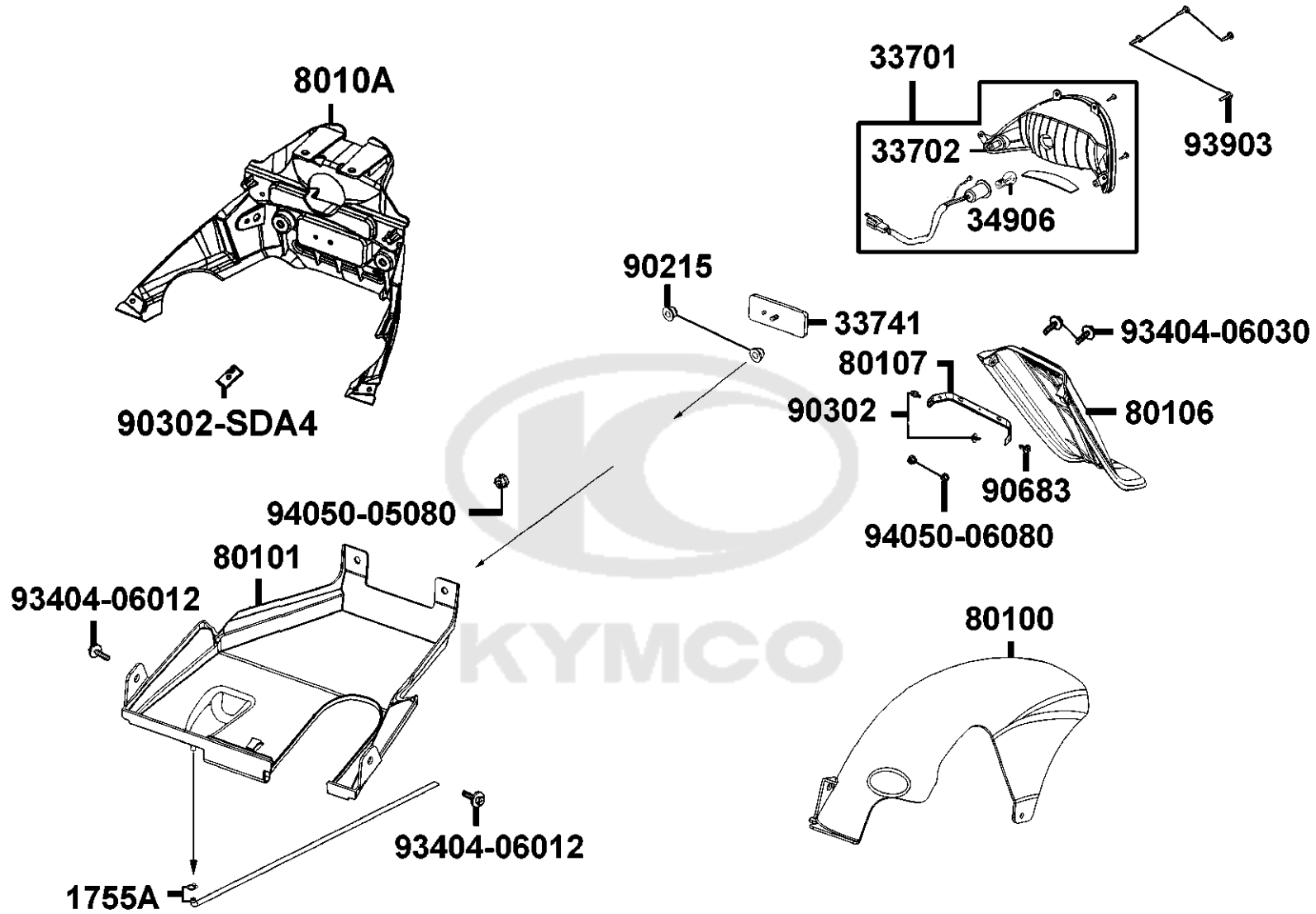


Sales mark	Ref no	Part no	Description	Reg description	Regd no	F17
	33400	33400-ALC8-E60	WINKER ASSY FR R	WINKER ASSY FR R	1	
	33450	33450-ALC8-E60	WINKER ASSY FR L	WINKER ASSY FR L	1	
	33600	33600-ALC8-E60	WINKER ASSY R RR	WINKER ASSY R RR	1	
	33650	33650-ALC8-E60	WINKER ASSY L RR	WINKER ASSY L RR	1	
	94050	94050-05080-G	NUT FLANGE 5MM	NUT FLANGE 5MM	4	

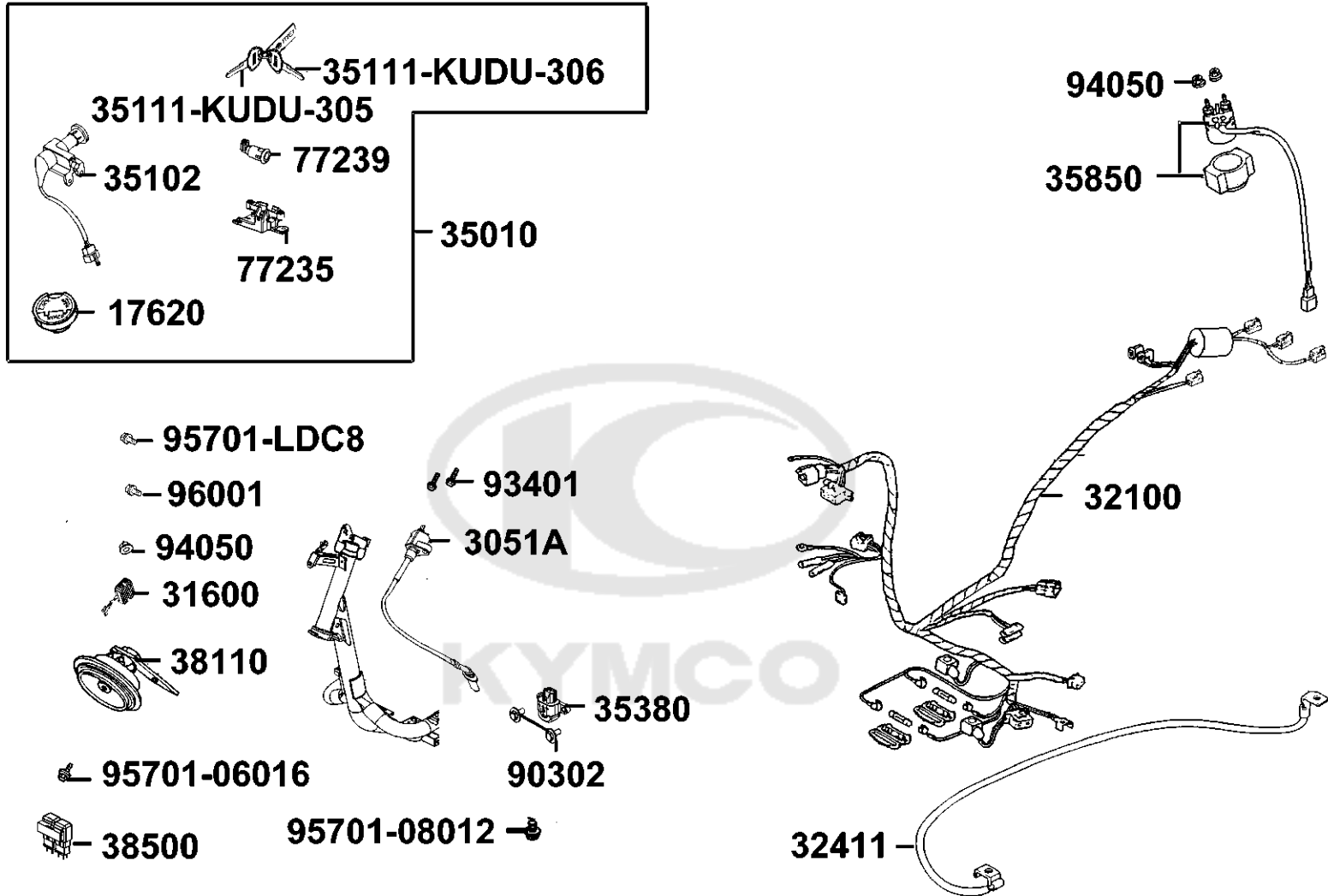


F18

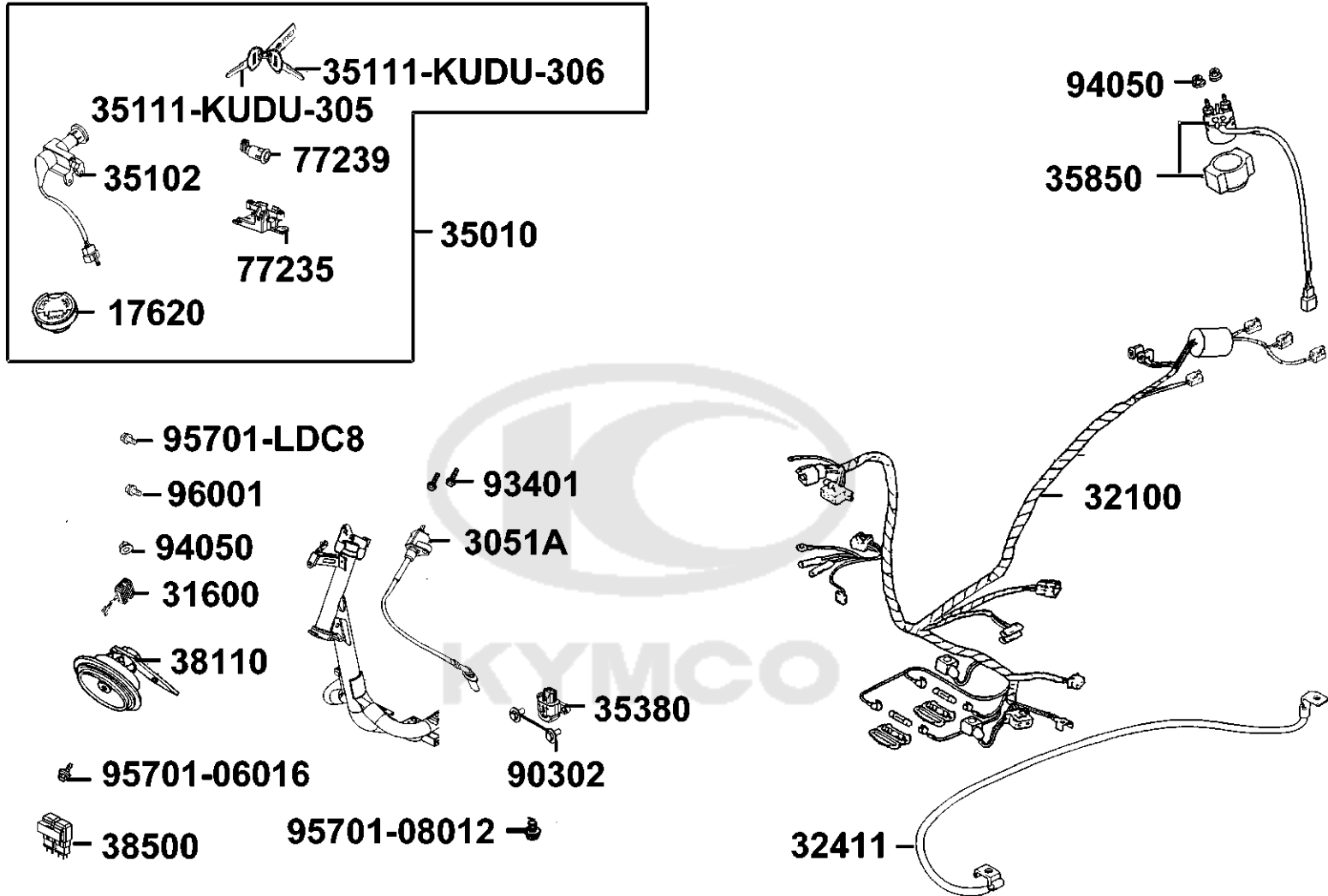
Tail Light FENDER RR TIRE



Sales mark	Ref no	Part no	Description	Reg description	Regd no	F18
	1755A	1755A-KKD5-C10	TRAY ASSY FUEL CAP	TRAY ASSY FUEL CAP	1	
	33701	33701-LDC8-E10	UNIT TAIL LIGHT	UNIT TAIL LIGHT	1	
	33702	33702-LDC8-E10	LENS TAIL HIGHT	LENS TAIL HIGHT	1	
	33741	33741-KEBE-C00	REFLEX REFLECTOR	REFLEX REFLECTOR	1	
	34906	34906-LBA8-E80	BULB TAIL LIGHT	BULB TAIL LIGHT	1	
**	80100	80100-LGR5-E10	FENDER REAR. TIRE	FENDER REAR. TIRE	1	
**	80101	80101-ALK6-E15	FENDER RR INNER	FENDER RR INNER	1	
**	80106	80106-LDC8-E10	FENDER RR LOW	FENDER RR LOW	1	
**	8010A	8010A-ALK6-E15	FENDER A RR	FENDER A RR	1	
	90215	90215-KKC4-C00	NUT CAP 6MM	NUT CAP 6MM	2	
	90302	90302-PUA3-B51	BOLT-WASH 5*12	BOLT-WASH 5*12	2	
	90302-SDA4	90302-SDA4-C01	NUT SPRING 4MM	NUT SPRING 4MM	2	
	90683	90683-GAR1-C00	CLIP BODY COVER	CLIP BODY COVER	2	
	93404-06012	93404-06012-07G	BOLT WASH 6*12	BOLT WASH 6*12	2	
	93404-06030	93404-06030-07G	BOLT WASHER 6*30 (K)	BOLT WASHER 6*30 (K)	2	
	93903	93903-34380-G	SCREW TAPPING 4*12 (K)	SCREW TAPPING 4*12 (K)	4	
	94050-05080	94050-05080-G	NUT FLANGE 5MM	NUT FLANGE 5MM	1	
	94050-06080	94050-06080-G	NUT FLANGE 6MM	NUT FLANGE 6MM	2	



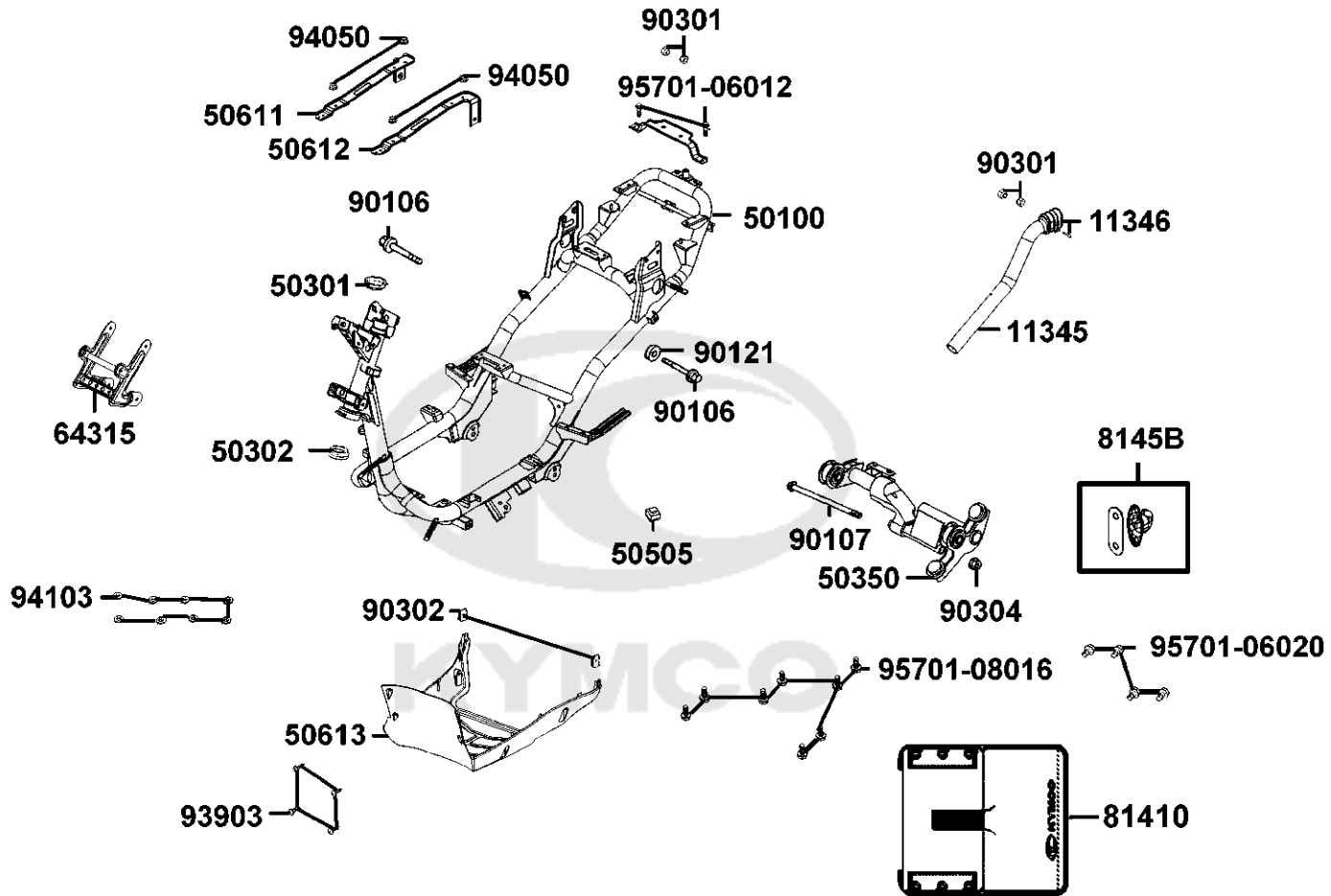
Sales mark	Ref no	Part no	Description	Reg description	Regd no	F19
17620		17620-ALJ9-E15	CAP COMP FUEL FILLER	CAP COMP FUEL FILLER	1	
3051A		3051A-KKE3-900	COIL ASSY IGN	COIL ASSY IGN	1	
31600		31600-KED9-C00	REG RECT COMP	REG RECT COMP	1	
32100		32100-ALK6-E15	HARNESS WIRE	HARNESS WIRE	1	
32411		32411-LEJ3-E11	CABLE BAT	CABLE BAT	1	
35010		35010-ALK6-E15	KEY SET	KEY SET	1	
35102		35102-KGBG-91B	COLLAR MAIN SW	COLLAR MAIN SW	1	
35111-KUDU-305		35111-KUDU-305	BLACK KEY R	BLACK KEY R	1	
35111-KUDU-306		35111-KUDU-306	BLACK KEY L	BLACK KEY L	1	
35380		35380-ABE1-E00	SENSOR. ANGLE DETECT	SENSOR. ANGLE DETECT	1	
35380		35380-LEA2-900	SENSOR ANGLE DETECT	SENSOR ANGLE DETECT	1	
35850		35850-KHD8-C00	SET START MAG	SET START MAG	1	
38110		38110-KKC3-90A	HORN COMP	HORN COMP	1	
38500		38500-LGL3-90A	RELAY ASSY LIGHT	RELAY ASSY LIGHT	1	
77235		77235-KGC4-C00	SEAT CATCH	SEAT CATCH	1	
77239		77239-GFY6-C00	KEY SEAT LOCK	KEY SEAT LOCK	1	
90302		90302-GFY6-C11	BOLT-WASH 5*16	BOLT-WASH 5*16	2	
93401		93401-04025-08	BOLT WASHER 4*25(C)	BOLT WASHER 4*25(C)	2	
94050		94050-06080-G	NUT FLANGE 6MM	NUT FLANGE 6MM	3	
95701-06016		95701-06016-08G	BOLT FLANGE 6*16 (C)	BOLT FLANGE 6*16 (C)	1	



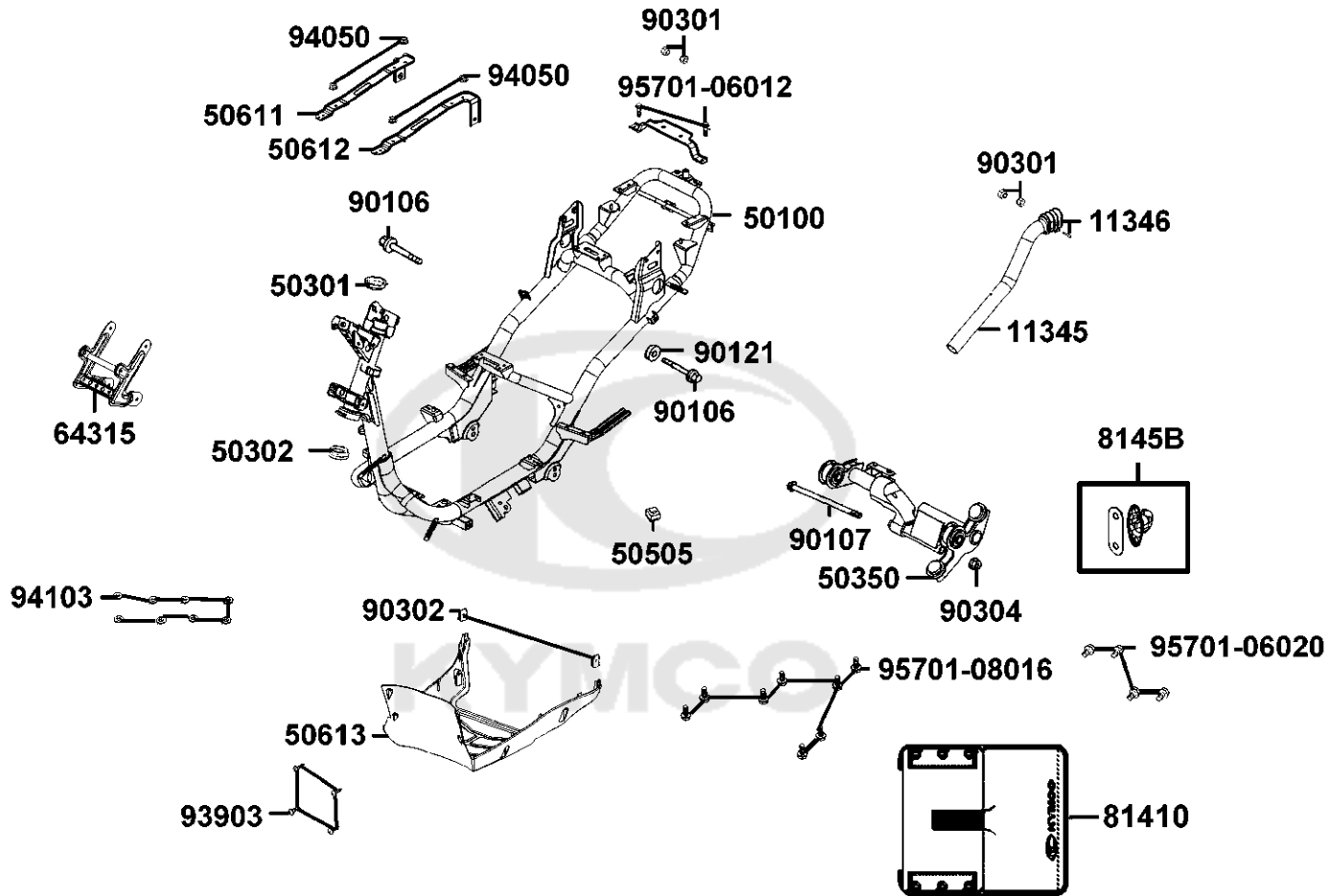
Sales mark	Ref no	Part no	Description	Reg description	Regd no	F19
------------	--------	---------	-------------	-----------------	---------	------------


95701-08012		95701-08012-08G	BOLT FLANGE 8*12 (C)	BOLT FLANGE 8*12 (C)	1	
95701-LDC8		95701-LDC8-E11	BOLT TORQUE 6x16	BOLT TORQUE 6x16	1	
96001		96001-06016-08G	SOCKET BOLT 6*16 (C)	SOCKET BOLT 6*16 (C)	1	





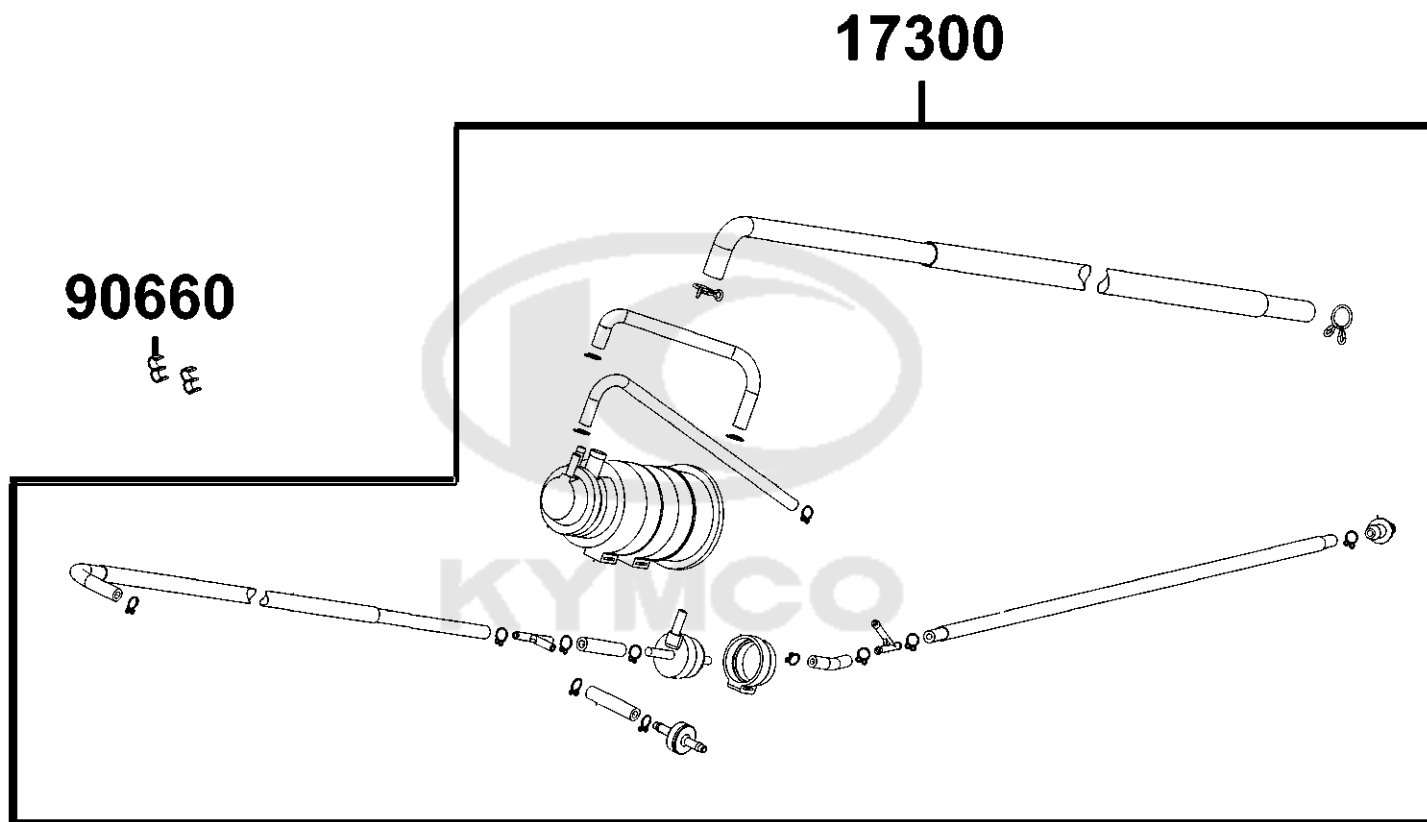
Sales mark	Ref no	Part no	Description	Reg description	Regd no	F20
	11345	11345-LDF7-E10	DUCT L COVER	DUCT L COVER	1	
	11346	11346-KEBE-C00	BAND L COVER DUCT	BAND L COVER DUCT	1	
	50100	50100-ALK6-E15	BODY COMP FRAME	BODY COMP FRAME	1	
	50301	50301-KGN7-C00	RACE UP STRG BALL	RACE UP STRG BALL	1	
	50302	50302-2H68-C00	RACE (STRG BOT) BALL	RACE (STRG BOT) BALL	1	
	50350	50350-LFC3-B40	ENG HANGER COMP	ENG HANGER COMP	1	
	50505	50505-LDC8-E10	STOPPER RUBBER	STOPPER RUBBER	1	
	50611	50611-LCB9-C10	RNFCT R FLOOR	RNFCT R FLOOR	1	
	50612	50612-LCB9-C10	RNFCT L FLOOR	RNFCT L FLOOR	1	
**	50613	50613-LCB9-C11	COVER UNDER	COVER UNDER	1	
	64315	64315-ALC9-E10	STAY FR COVER	STAY FR COVER	1	
	81410	81410-ALC9-E10	BAG CARRIER FLOOR	BAG CARRIER FLOOR	1	
	8145B	8145B-ALC8-E60	TURNING LOCK ASSY	TURNING LOCK ASSY	1	
	90106	90106-LGB6-E11	"BOLT,FLANGE,10x55"	"BOLT,FLANGE,10x55"	2	
	90107	90107-KUDU-C01	BOLT FLANGE 10*188	BOLT FLANGE 10*188	1	
	90121	90121-GFY6-C00	COLLAR DISTANCE	COLLAR DISTANCE	1	
	90301	90301-4C73-C01	NUT U 6MM(C)	NUT U 6MM(C)	4	
	90302	90302-SDA4-C01	NUT SPRING 4MM	NUT SPRING 4MM	2	
	90304	90304-GHE8-C01	NUT U 10MM(C)	NUT U 10MM(C)	1	
	93903	93903-34380-G	SCREW TAPPING 4*12 (K)	SCREW TAPPING 4*12 (K)	4	



Sales mark	Ref no	Part no	Description	Reg description	Regd no	F20
	94050	94050-06080-G	NUT FLANGE 6MM	NUT FLANGE 6MM	4	
	94103	94103-LBA8-C11	WASHER SPECIAL	WASHER SPECIAL	8	
	95701-06012	95701-06012-08G	BOLT FLANGE 6*12 (C)	BOLT FLANGE 6*12 (C)	1	
	95701-06020	95701-06020-07G	BOLT FLANGE 6*20 (K)	BOLT FLANGE 6*20 (K)	4	
	95701-08016	95701-08016-07G	BOLT FLANGE 8*16(K)	BOLT FLANGE 8*16(K)	8	
						

F21

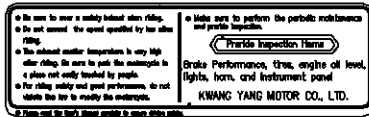
CANISTER ASSY



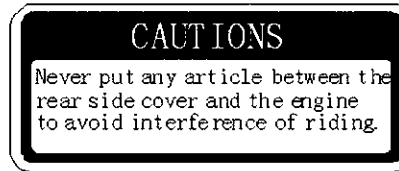
Sales mark	Ref no	Part no	Description	Reg description	Regd no	F21
------------	--------	---------	-------------	-----------------	---------	------------

17300		17300-ALK6-E15	CANISTER ASSY	CANISTER ASSY	1	
90660		90660-LDE9-E00	CLAMP TUBE	CLAMP TUBE	2	





87560



87542



87541-KUDU



86102



87505



87541-GAR1



87546



87160



86201

Sales mark	Ref no	Part no	Description	Reg description	Regd no	F22
**	86102	86102-KFA6-C10	EMB K-LOGO 30MM	EMB K-LOGO 30MM	1	
**	86201	86201-ALC9-E10	STRIPE BODY COVER	STRIPE BODY COVER	1	
**	87160	87160-LDC8-E90	STRIPE KYMCO	STRIPE KYMCO	1	
**	87505	87505-ALK6-E10	LABEL TIRE	LABEL TIRE	1	
**	87541-GAR1	87541-GAR1-C01	CAUTION SIDE STAND	CAUTION SIDE STAND	1	
**	87541-KUDU	87541-KUDU-E00	LABEL OIL CAP	LABEL OIL CAP	1	
**	87542	87542-GAR1-C01	MARK MAINT CAUTION	MARK MAINT CAUTION	1	
**	87546	87546-AGE3-E00	LABEL FUEL TANK	LABEL FUEL TANK	1	
**	87560	87560-GFY6-E11	MARK DRIVE CAUTION	MARK DRIVE CAUTION	1	



PART NO. INDEX

PART NO.	VERSION	PAGE	PART NO.	VERSION	PAGE	PART NO.	VERSION	PAGE
11000			12000			14450-GFY6-W10	1	E02
11100-KUDU-C00	6	E01	12100-GFY6-C00	6	E03	14452-GFY6-W10	1	E02
11102-1G87-C00	3	E01	12191-GFY6-E90	1	E03	14510-KUDU-C00	1	E03
11192-KUDU-E90	1	E01	12200-KKE3-900	1	E02	14510-KUDU-C0B	0	E03
11200-KEC4-C00	6	E01	12209-GDB4-C00	2	E02	14520-GFY6-C00	1	E03
11203-GGC7-W10	2	E01	12211-KUDU-W10	4	E02	14523-GFY6-E90	1	E03
11203-GGC7-W10	2	E02	12251-GFY6-C00	1	E02	14531-GLR0-W11	1	E03
11203-GGC7-W10	2	F16	1231A-ALL1-C00	0	E02	14610-KUDU-C0B	0	E03
11206-LGR5-E10	1	E07	12361-GFY6-C00	5	E04	14711-KUDU-C00	1	E02
11207-KKE3-C01	6	E04	12391-GFY6-C00	5	E02	14721-KUDU-C00	1	E02
11208-LGR5-E11	0	E01	13000			14751-KUDU-C10	2	E02
11211-KUDU-C00	1	F13	13000-KUDU-C00	9	E03	14761-KUDU-C10	2	E02
1122A-LGR5-E10	1	E09	14000			14771-GDB4-C00	2	E02
11331-LCD3-E00	5	E04	13011-GFY6-C00	1	E03	14775-MFA6-C00	5	E02
11341-KEC4-900	1	E01	13101-KUDU-C00	1	E03	14781-MFA6-C00	4	E02
11341-KEC4-C00	0	E01	13111-3D84-C00	1	E03	15000		
11345-LDF7-E10	1	F20	13406-LHJ8-900	1	F10	15100-KUDU-W10	1	E07
11346-KEBE-C00	1	F20	14000			15133-GFY6-W10	1	E07
11353-LEA6-C00	1	E01	14100-AAA2-C00	0	E02	15141-GFY6-C00	1	E07
11381-KUDU-C00	1	E01	14401-KUDU-C00	1	E03	15421-1G07-C00	1	E04
11394-KUDU-E90	1	E04	14431-KUDU-W10	4	E02	15426-GAE1-C00	1	E04
11395-KKD7-E90	0	E01				15651-KUDU-W10	5	E04
						15711-KUDU-C00	1	E07

PART NO. INDEX

PART NO.	VERSION	PAGE	PART NO.	VERSION	PAGE	PART NO.	VERSION	PAGE	
16000			17370-4K19-C00	0	F13	19510-GFY6-C00	1	E08	
			17371-1D74-C00	1	F13	19610-KUDU-C10	2	E08	
			17500-ALK6-E15	0	F10	19625-KUDU-C00	1	E02	
	16056-LEB2-C00	0	E05	17550-ACC1-E10	1	F10	1962A-LEJ8-E00	1	E08
	16074-KEC3-C00	3	E05	1755A-KKD5-C10	1	F10	1963A-AAD2-C00	0	E08
	16100-ALK6-E15	0	E05	1755A-KKD5-C10	1	F18			
	16110-KEC3-900	1	E05	17620-ALJ9-E15	0	F19	21000		
	16112-KKE3-C00	0	E05	17685-ALK6-E15	0	F10			
	16118-KGC5-C00	0	E05	17910-ALJ8-E10	0	F03	21200-LGR5-E10	1	E09
	16122-KEC3-C00	0	E05	17910-ALJ8-E1D	0	F03	21395-KEC4-E90	0	E09
	16133-KEC3-C00	0	E05						
	16138-KEC3-C00	0	E05	18000			22000		
	16154-KKE3-C00	0	E05						
	16170-KEC3-C00	0	E05	18291-GGA7-C01	1	F14	22101-LCD3-C00	3	E06
	16201-GFY6-E90	0	E02	18291-KEBE-C00	1	F14	22102-KUDU-E80	1	E06
	16211-GFY6-W10	1	E02	18292-KEBE-C00	0	F14	22105-GFY6-C10	1	E06
	16700-ALB8-930	0	F10	18293-KEBE-C00	1	F14	22110-KUDU-E80	0	E06
			18294-PUA3-B50	1	F14	22121-KKD7-315	0	E06	
			18306-LDF7-E10	0	F14	22131-GFY6-C00	3	E06	
			1830A-ALK6-E15	0	F14	22132-KBN2-315	0	E06	
			18318-LDF7-E10	0	F14	22300-KEC6-C00	0	E06	
			18646-LDC8-E10	1	E02	22350-GFY6-C00	1	E06	
						22361-KGN7-C00	0	E06	
			19000			22401-GFY6-C0A	0	E06	
1711A-LGL3-C10	0	E02				22530-GFY6-C00	1	E06	
17200-ALK6-E15	0	F13	19504-LBA2-C00	1	F10	22804-GBB2-C00	0	E06	
17211-LGR5-E10	2	F13							
1723A-ACB3-M40	0	F13							
1723B-ALK6-E15	0	F13							
17300-ALK6-E15	0	F21							

PART NO. INDEX

PART NO.	VERSION	PAGE	PART NO.	VERSION	PAGE	PART NO.	VERSION	PAGE
23000			28125-GFY6-C10	3	E07			
			28126-GFY6-C10	1	E07	33000		
			28211-LGK2-C00	5	E06			
2301A-KEC6-C00	1	E06	30000			33108-ALC8-E60	0	F01
23100-KEC4-C00	2	E06				3310A-ALC8-E60	2	F01
23100-KEC4-C0E	0	E06				33400-ALC8-E60	3	F17
23200-GFY6-C00	3	E06	3051A-KKE3-900	6	F19	33450-ALC8-E60	1	F17
23210-GFY6-C00	1	E06	31000			33600-ALC8-E60	3	F17
23220-KFBF-C00	1	E06				33650-ALC8-E60	1	F17
23225-GHC8-C00	1	E06				33701-LDC8-E10	2	F18
23226-GHC8-C00	1	E06	31100-LGS6-E10	0	E08	33702-LDC8-E10	0	F18
23233-GCW3-C00	1	E06	31110-KKE3-C00	3	E08	33731-KGB5-C00	2	F06
23237-GFY6-C00	1	E06	31120-LGS6-E10	0	E08	33741-KEBE-C00	0	F18
23238-GFY6-C00	1	E06	31200-ALJ8-E10	1	E07			
23411-KEC4-C00	1	E09	31500-ALC8-E60	5	F11	34000		
23420-KEC4-C00	1	E09	31600-KED9-C00	0	F19			
23432-KEC4-C00	1	E09	32000			34901-LDC8-E10	1	F01
2343A-KKD5-C00	0	E09				34903-LDC8-E10	1	F01
28000			32100-ALK6-E15	0	F19	34906-LBA8-E80	1	F18
			32411-LEJ3-E11	0	F19	35000		
28101-GFY6-C00	1	E07	32412-LEH3-C10	1	E04			
28102-GFY6-C00	1	E07	32961-KUDU-C00	5	E04	35010-ALK6-E15	0	F19
28110-GFY6-C10	1	E07				35102-KGBG-91B	1	F19
28120-GFY6-C10	1	E07				35111-KUDU-305	0	F19
28125-4F26-C00	1	E07				35111-KUDU-306	0	F19

PART NO. INDEX

PART NO.	VERSION	PAGE	PART NO.	VERSION	PAGE	PART NO.	VERSION	PAGE
3515A-LGB5-EV0	0	F03	39303-LEB2-C00	1	E02	44710-LDC8-E11	2	F07
3520A-LGB5-E11	0	F03	39400-LHJ3-900	1	E02	44800-LDC8-E10	1	F07
35340-KNBN-C00	1	F04	39450-LEA6-800	2	F14	44830-LDC8-E10	3	F02
35350-KNBN-C00	1	F04	39600-LEA1-800	0	F10			
35380-ABE1-E00	1	F19				45000		
35380-LEA2-900	1	F19	42000					
35850-KHD8-C00	1	F19				45105-ACC1-305	0	F04
			42311-KKD5-C10	1	F16	45121-LGR5-E80	1	F07
37000			42312-LEJ2-E10	1	F16	45126-ALK6-E15		F04
			42601-LGR5-E10	0	F08	45156-ALK6-E15	0	F06
37200-ALK6-E15	0	F02	42710-LDC8-E11	3	F08	45158-ALK6-E15	0	F06
37211-LCB9-C10	0	F02				45200-ALK6-E15	0	F04
37802-GGA7-C00	1	F10	43000			45500-ALK6-E15	0	F04
3780A-ALK6-E15	0	F10				45513-KFAF-901	0	F04
			43100-ALD9-E14	0	F04	45517-KFAF-910	1	F04
38000			43105-ALD9-305	0	F04			
			43126-ALK6-E15	0	F04	50000		
38110-KKC3-90A	1	F19	43156-LFC3-E10	2	F16			
38300-KECE-W10	2	F02	43351-LFB5-E80	2	F08	50100-ALK6-E15	0	F20
38500-LGL3-90A	1	F19	43500-ALK6-E15	0	F04	50301-KGN7-C00	2	F20
						50302-2H68-C00	2	F20
39000			44000			50306-1F96-C00	1	F06
						50326-LCB9-C10	0	F11
39300-LEA6-800	0	E02	44311-GLW0-W10	1	F07	50330-KEBE-C00	1	F05
39301-ALJ8-E10	0	E02	44601-LGR5-E10	0	F07	50350-LFC3-B40	1	F20
39302-KKE3-C00	1	E02	44620-KEB7-C00	0	F07	50502-LDF7-C00	1	F15

PART NO. INDEX

PART NO.	VERSION	PAGE	PART NO.	VERSION	PAGE	PART NO.	VERSION	PAGE
50504-LGR5-C00	0	F15						
50505-LAD9-C00	1	F15	52000			61000		
50505-LDC8-E10	2	F20						
5050A-LGR5-E10	3	F15	52000-LGR5-E10	0	F16	61100-LDC8-E10	0	F06
50530-ALC9-E10	0	F15	52400-ALC5-M41	0	F16			
50531-KEB7-C00	1	F15	52400-ALC5-M41	1	F16	64000		
50535-KEB7-W10	3	F15						
50550-KEB7-C00	1	F15	53000			64301-ALA9-E70	0	F05
50611-LCB9-C10	1	F20				64303-ALC9-E10	0	F05
50612-LCB9-C10	1	F20	53100-ALK6-E15	0	F03	64310-LCB9-C10	0	F05
50613-LCB9-C11	0	F20	53105-KNBN-C00	2	F03	64315-ALC9-E10	0	F20
			53125-GEN5-C00	1	F03	64316-LCB9-C10	4	F05
51000			53140-KNBN-C00	0	F03	64316-LCB9-C10	5	F05
			53140-KNBN-C00	1	F03			
51400-LDF7-E10	0	F06	53166-KNBN-C00	0	F03	77000		
51401-LDC8-E10	0	F06	53166-KNBN-C00	1	F03			
51410-LDC8-E10	0	F06	53175-KTCT-C00	0	F04	77200-ALC9-E10	0	F09
51412-LDC8-E10	0	F06	53178-KNBN-C00	0	F04	77232-KCAC-C00	2	F12
51420-LDF7-E10	0	F06	53200-ALK6-E15	0	F06	77235-KGC4-C00	2	F19
51422-LDC8-E10	0	F06	53205-ALK6-E15	0	F03	77239-GFY6-C00	0	F19
51425-LDF7-E10	0	F06	53206-LCB9-C10	0	F03	77240-LDC8-E10	1	F12
51428-LDC8-E10	0	F06	53211-GFY6-C00	1	F06	77303-LCB9-C10	0	F09
51429-LDC8-E10	0	F06	53212-2L50-C00	1	F06			
51437-LDC8-E10	0	F06	53214-2L50-C00	5	F06	80000		
51500-LDF7-E10	0	F06	53215-2L50-C00	1	F06			
51520-LDF7-E10	1	F06				80100-LGR5-E10	1	F18

PART NO. INDEX

PART NO.	VERSION	PAGE	PART NO.	VERSION	PAGE	PART NO.	VERSION	PAGE
80101-ALK6-E15	0	F18				89020-KKC4-C00	1	F09
80106-LDC8-E10	0	F18	86000					
80107-LDC8-E10	1	F18				90000		
8010A-ALK6-E15	0	F18	86102-KFA6-C10	0	F22			
80151-LCB9-C10	0	F12	86201-ALC9-E10	0	F22	90001-GBHB-C05	0	E03
81000			87000			90001-GBHB-C13	1	E01
						90005-KAW1-C00	0	E03
						90012-3C33-C00	1	E02
81131-ALA9-E70	1	F05	87160-LDC8-E90	0	F22	90031-KUDU-C01	0	E01
81132-LCB9-C10	1	F05	87160-LDC8-E90	1	F22	90032-KUDU-C01	0	E01
81200-ALC8-E60	1	F12	87505-ALK6-E10	0	F22	90105-KCR3-C02	1	F07
81250-ALK6-E15	0	F12	87541-GAR1-C01	0	F22	90105-KCR3-C02	1	F08
81300-ALK6-E15	0	F12	87541-GAR1-C01	1	F22	90106-LGB6-E11	1	F20
81305-ALC9-E10	0	F12	87541-KUDU-E00	1	F22	90106-PUA3-B50	0	F03
81400-ALC8-E60	0	F12	87542-GAR1-C01	2	F22	90107-KUDU-C01	1	F20
81410-ALC9-E10	0	F20	87546-AGE3-E00	0	F22	90108-KFA6-E01	0	F15
8145B-ALC8-E60	0	F20	87560-GFY6-E11	3	F22	90110-GLW0-C00	0	F05
83000			88000			90110-KEB7-C01	1	F06
						90110-LDC8-E10	0	F14
						90111-1G87-C01	1	F12
83500-LDF7-E60	0	F12	88110-LCB9-C11	0	F03	90116-LDC8-E10	0	F06
83600-LDF7-E61	0	F12	88120-LCB9-C11	0	F03	90121-GFY6-C00	1	F20
83601-ALC8-E60	0	F12				90121-KBE2-C01	1	F07
83602-ALC8-E60	0	F09	89000			90131-GLW0-C02	1	F04
						90131-GLW0-C02	1	F16
			89010-KGBG-C00	1	F09	90145-9A61-C00	1	F04

PART NO. INDEX

PART NO.	VERSION	PAGE	PART NO.	VERSION	PAGE	PART NO.	VERSION	PAGE
90201-GFY6-901	1	E07	90501-KNBN-C01	1	F08	91101-1K79-C00	1	E07
90202-1G87-C00	1	E06	9052A-PUA3-B50	1	E01	91104-GFY6-C00	1	E07
90206-0A01-C00	2	E02	90544-LDC8-E10	0	F06	91202-GFY6-C00	1	E01
90215-KKC4-C00	1	F18	90545-3L00-C00	2	F04	91202-GFY6-C00	1	E04
90301-4C73-C01	0	F20	90605-1F66-C00	0	E06	91202-KKJ9-C00	5	E01
90301-GFY6-C01	0	F14	90651-ALJ8-E10	1	F10	91211-KEBE-C00	1	E06
90302-GFY6-C11	1	F10	90652-GFY6-C00	1	F13	91251-LDC8-E10	0	F06
90302-GFY6-C11	1	F19	90652-LGJ9-900	2	E02	91254-LDC8-E10	0	F06
90302-KNBN-C01	1	F03	90660-LDE9-E00	0	F21	91255-LDC8-E10	5	E09
90302-PUA3-B51	1	F18	90668-LDC8-E10	1	F06	91258-KAM1-C00	1	F07
90302-SDA4-C01	0	F05	90683-GAR1-C00	4	F12	91301-GLR0-W10	1	E03
90302-SDA4-C01	0	F18	90683-GAR1-C00	4	F18	91302-0A01-C00	10	E04
90302-SDA4-C01	0	F20	90701-GFY6-901	6	E07	91302-LEB2-C00	0	E05
90304-GHE8-C01	0	F03	90701-HFB6-C00	0	E03	91306-1E05-C00	1	E03
90304-GHE8-C01	0	F20	90754-GHC8-C00	1	F07	91307-0E35-W10	1	E04
90305-GHK8-C01	0	F12	90912-GHC8-C00	1	F07	91351-6B42-C00	1	E06
90305-PUA3-B51	1	F08						
90306-KLF0-C02	0	F07	91000			92000		
90381-GEZ5-C01	1	F12						
90403-KUDU-C00	1	E07	91001-GFY6-C00	0	E06	92101-05012-0HG	1	E08
90412-3K29-C00	5	E01	91002-GGA7-C00	0	E06	92101-10020-0G	0	F01
90426-KNBN-C01	1	E06	91003-KDS4-C00	1	E09	92101-10045-0G	0	F01
90440-1F66-C00	1	E08	91009-GLE0-C00	1	E09	92900-06060-0BG	0	E02
90441-GFY6-C01	1	E06	91014-LLJ3-C00	1	F06			
90465-MDC4-C01	0	E02	91015-LLJ3-C00	1	F06			
90474-3C33-C00	1	E01	91051-KFBF-C00	1	F16			

PART NO. INDEX

PART NO.	VERSION	PAGE	PART NO.	VERSION	PAGE	PART NO.	VERSION	PAGE
93000			94000			94111-06800-G	0	E02
93401-04025-08	0	F19	94001-04007-0S	0	F01	94111-08700-G	0	F14
93404-06012-07G	0	F18	94001-12280-0SG	1	E06	94111-10700	0	F01
93404-06020-07G	0	F05	94050-05080-G	1	F06	94301-10160	4	E01
93404-06030-07G	1	F18	94050-05080-G	1	F17	94301-10160	4	E02
93500-04035-0G	0	F01	94050-05080-G	1	F18	94301-10160	4	E03
93700-05018-0HG	1	F02	94050-06080	2	E05	94301-10160	4	E04
93891-05035-07G	0	F03	94050-06080-G	0	E02	94301-10200	4	E01
93892-05010-08	0	E05	94050-06080-G	0	E07	94520-28000	1	E06
93903-25320-G	0	F05	94050-06080-G	0	F09	94520-40000	1	F16
93903-25480	1	F13	94050-06080-G	0	F10	94591-LGR5-E10	1	F05
93903-34380	6	F01	94050-06080-G	0	F18	94601-15000	10	E03
93903-34380-G	0	F03	94050-06080-G	0	F19	94605-LDC8-E10	0	F06
93903-34380-G	0	F05	94050-06080-G	0	F20	94608-LDC8-E10	0	F06
93903-34380-G	0	F12	94050-08080-G	0	E02	95000		
93903-34380-G	0	F18	94050-12080-G	0	E06	95002-02120	1	F13
93903-34380-G	0	F20	94050-12080-G	0	E08	95002-50000	1	F13
93903-35380-G	1	F02	94101-08700-G	0	F12	95003-23024-60	1	F13
93903-35380-G	1	F03	94101-08700-G	0	F14	95701-06012-07G	1	F06
93903-35380-G	1	F11	94101-KKE3-C00	0	E05	95701-06012-08G	0	F06
93903-GFY6-C01	1	F05	94102-10700	0	F01	95701-06012-08G	0	F20
			94103-LBA8-C11	0	F20	95701-06016-08G	1	F19
			94111-04700	0	F01	95701-06020-07G	1	F20
			94111-06800	1	E05	95701-06025-07	3	F14

PART NO. INDEX

PART NO.	VERSION	PAGE	PART NO.	VERSION	PAGE	PART NO.	VERSION	PAGE
95701-06025-08G	1	E02	96001-06014-08G	0	E02			
95701-06035-08G	1	E02	96001-06016-08G	1	E07			
95701-06040-08G	1	F13	96001-06016-08G	1	E08			
95701-06050-08G	0	E02	96001-06016-08G	1	F19			
95701-08012-08G	1	E01	96001-06018-08G	1	E08			
95701-08012-08G	1	F19	96001-06020-08G	1	E08			
95701-08016-07G	1	F20	96001-06025-08G	1	E07			
95701-08020-07G	1	F12	96001-06025-08G	1	E08			
95701-08045-07G	0	F12	96001-06028-08G	1	E04			
95701-10020-07G	0	F01	96001-06040-08G	1	E01			
95701-LDC8-E11	0	F19	96001-06045-08G	1	E01			
95801-08032-07G	1	F16	96001-06050-08G	1	E01			
95801-08040-08G	0	F06	96001-06100-08G	1	E02			
95801-08045-07G	0	F14	96001-06100-08G	1	E04			
95801-08050-07G	1	F14	96001-06110-08G	1	E04			
95801-08050-07G	1	F16	96001-GFY6-C00	3	F13			
95801-08060-07	0	F14	96100-60020-00	1	E09			
95801-10025-08G	1	F15	96100-62020-00	1	E01			
95801-10035-08G	0	F16	96100-62030-00	1	E01			
			96100-62043-00	1	E01			
96000			98000					
96001-06012-07G	1	F16						
96001-06012-08G	0	E01	98056-5771R-00	1	E02			
96001-06012-08G	0	E04	98200-11500	2	F11			
96001-06012-08G	0	E07						