

# PARTS CATALOGUE



## SCOOTERS

KL30BH(GR)

AGILITY CITY 150 (2013)



Release Date : 2019/11/04  
Print Date : 2020/11/24

## ABOUT THIS PARTS LIST

- This parts list is compiled all service parts for model KL30BH(GR).
- Any difference between color chart and motorcycle will be revised according to motorcycle.
- The Mark:
  1. Marking "\*\*\*" must add color code in the end before ordering parts.
  2. Marking "#" are parts with modification, Please find the details from e-Parts system.
- When modification or additions to this parts list are made a revised edition at an appropriate time.



# CONTENTS

● ABOUT THIS PARTS LIST .....	1
● COLOR CHART OF KL30BH(GR) .....	3
● CONTENTS-ENGINE GROUP .....	6
● CONTENTS-FRAME GROUP .....	7
● ENGINE PARTS LIST .....	10
● FRAME PARTS LIST .....	40
● PART NO. INDEX .....	100

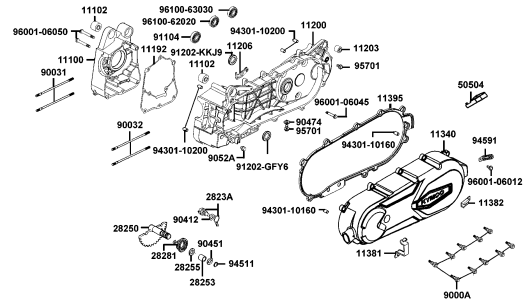
NO	MODEL			COLOR CHART OF KL30BH(GR)			
	PHOTO NO			NO. 1	NO. 2	NO. 3	
	BASIC COLOR			Dark Gray Metallic	Black	Pearly White	
	CODE			Dark Gray Metallic	Black	Pearly White	
	PARTS NAME	PARTS NO.	VERSION	NH230MA	NH001SA	NH193PA	
1	GRILLE R FR MOLDING	64307-LFC2-E10	1	EBR			
2	GRILLE L FR MOLDING	64308-LFC2-E10	1				
3	GRILL R SIDE	83510-LFC2-E10	1				
4	GRILL L SIDE	83610-LFC2-E10	1				
5	CARRIER RR	81200-LFC2-E10	1	N1A			
6	COVER HANDLE FR	53205-LFC2-E10	1	HKP	N1P	NVP	
7	FENDER FR	61100-LFC2-E10	1				
8	"COVER, FRONT"	64301-LFC2-E10	2				
9	CAP FR COVER	64303-LFC2-E10	1				
10	COVER R BODY	83500-LFC2-E10	1				
11	COVER L BODY	83600-LFC2-E10	1				
12	COVER RR CENTER	83750-LFC2-E10	1				
13	COVER BATTERY	50326-LFC2-E10	1				
14	COVER UNDER	50613-LFC2-E10	1				
15	COVER METER	53204-LFC2-E10	1				
16	COVER HANDLE RR	53206-LFC2-E10	1	N1R			
17	MOLD FRONT	64302-LFC2-E10	1				
18	SKIRT R SIDE	64305-LFC2-E10	1				
19	SKIRT L SIDE	64306-LFC2-E10	1				
20	FLOOR PANEL	64310-LFC2-E11	0				
21	PLUG FLOOR	64316-LCB9-C10	5				
22	FENDER RR INNER	80101-LFC3-E10	0				
23	FENDER REAR	80105-LFC2-E10	1				
24	COVER CENTER	80151-LFC2-E10	1				
25	LEG SHIELD	81131-LFC2-E10	1				
DATE OF STARTING-SALES							
DATE OF END-SALES							

NO	MODEL			COLOR CHART OF KL30BH(GR)			
	PHOTO NO			NO. 1	NO. 2	NO. 3	
	BASIC COLOR			Dark Gray Metallic	Black	Pearly White	
	CODE			Dark Gray Metallic	Black	Pearly White	
	PARTS NAME	PARTS NO.	VERSION	NH230MA	NH001SA	NH193PA	
26	LID LEG SHIELD	81132-LCB9-C10	1	N1R			
27	CAP LEG SHIELD UP	81132-LFC2-E10	1				
28	PLATE INNER BOX	81134-LFC2-E10	1				
29	LID INNER BOX	81141-LFC2-E10	1				
30	BOX LUGGAGE	81250-LFC2-E10	0				
31	COVER CARB. MAINT	81251-LEJ3-E10	0	NEA			
32	"COVER, LEFT"	11340-LEJ3-E11	0				
33	WHEEL COMP RR CAST	42601-LFC3-E10	1				
34	WHEEL CAST FR	44601-LFC2-E10	2				
35	LEVER L STRG HANDLE	53178-KNBN-C00	0				
36	MIRROR ASSY R BACK	88110-LEB5-C10	2	NEP			
37	MIRROR ASSY R BACK	88110-LEB5-C11	2				
38	MIRROR ASSY L BACK	88120-LEB5-C10	1				
39	MIRROR ASSY L BACK	88120-LEB5-C11	2				
40	PROTECTOR MUFF	18318-LCD3-E10	5	NES			
41	FORK ASSY R FR	51400-LFC2-E80	0	NGA			
42	FORK ASSY L FR	51500-LFC2-E80	0	R8A			
43	CALIPER ASSY RR	43200-LFC4-E10	1	R8S			
44	CUSHION ASSY RR	52400-LFC4-E10	3	T01			
45	SEAT ASSY	77200-LFC3-E12	0				
46	MARK KYMCO	86102-LEJ2-E00	2				
47	CAUTION ANIT	87224-LFC4-EY0	0				
48	LABEL TIRE	87505-LFC2-E10	2				
49	CAUTION SIDE STAND	87541-GAR1-C01	1				
50	LABEL OIL CAP	87541-LFC4-E10	0				
DATE OF STARTING-SALES							
DATE OF END-SALES							

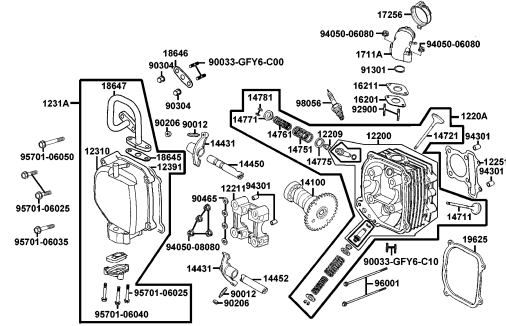


# CONTENTS - ENGINE GROUP

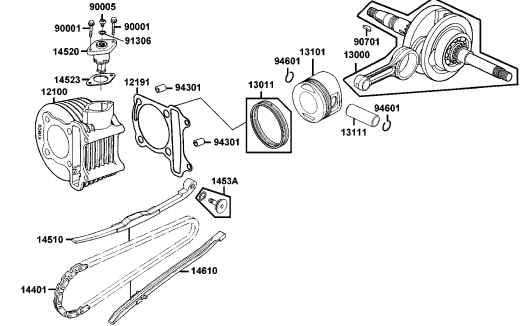
## E01 Crank Case



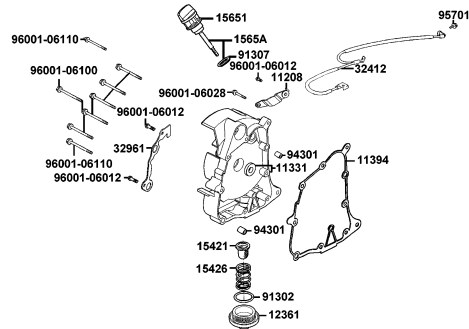
## E02 Cylinder Head



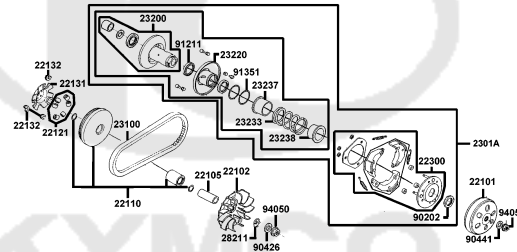
## E03 Cylinder Piston Crankshaft



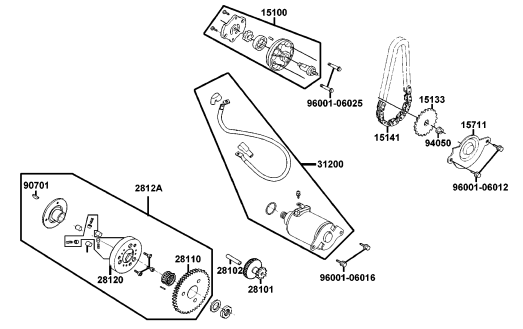
## E04 Right Crankcase Cover



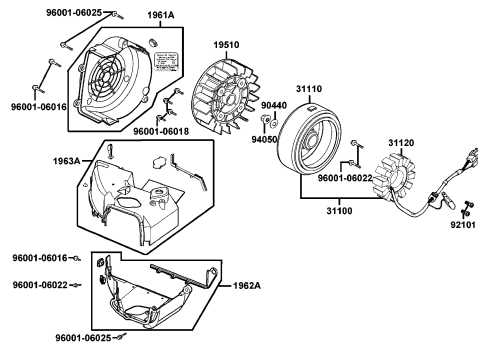
## E05 Driven Pulley



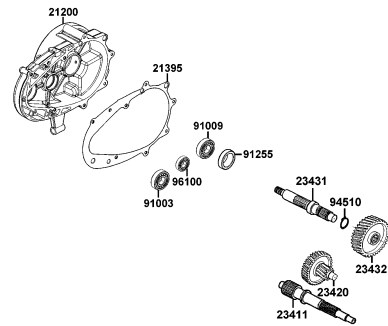
## E06 Starting Motor Oil Pump



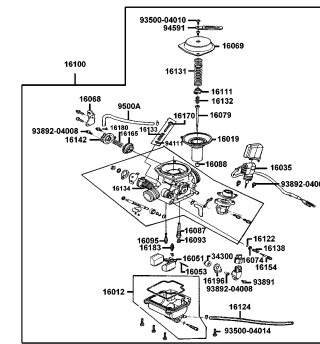
## E07 Fan Cover Generator



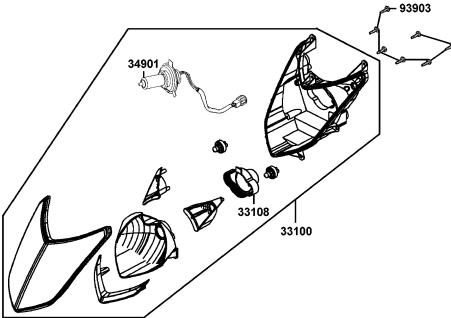
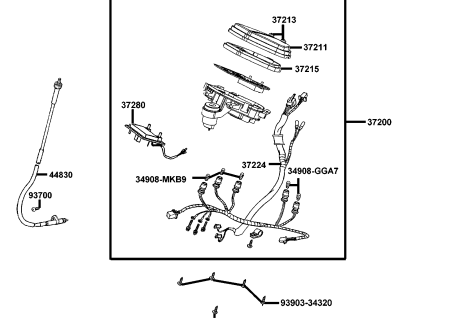
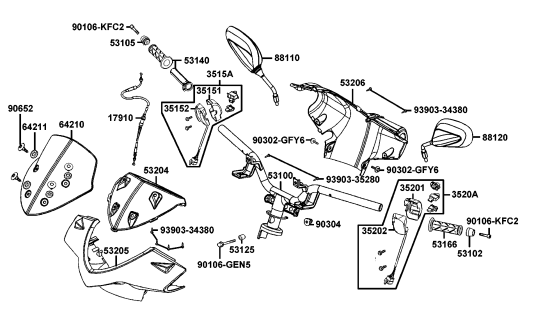
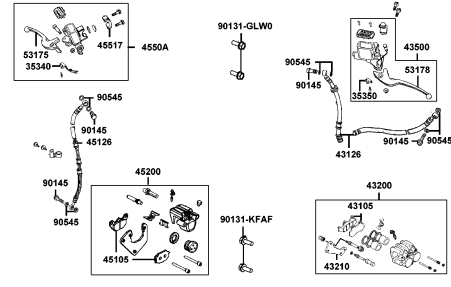
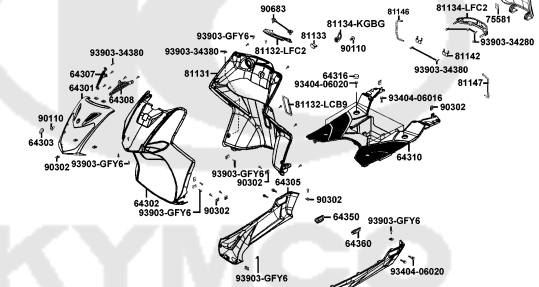
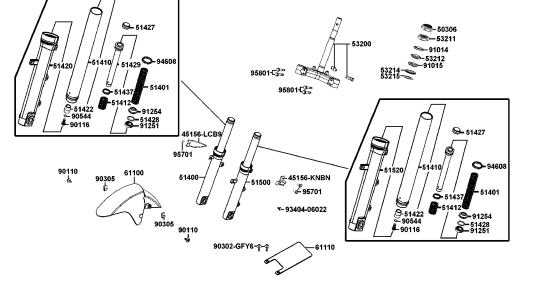
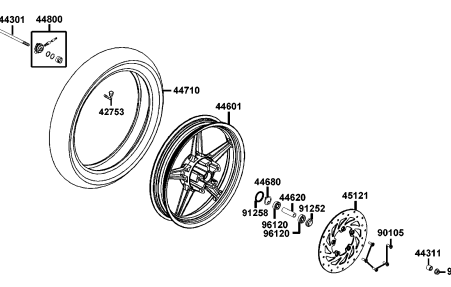
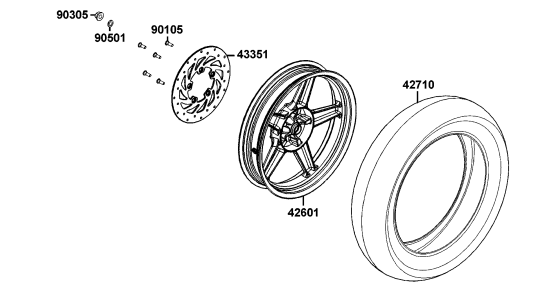
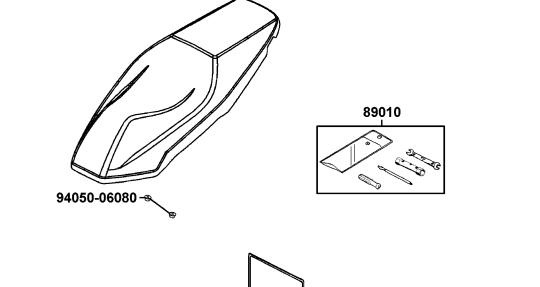
## E08 Transmission



## E09 Carburetor



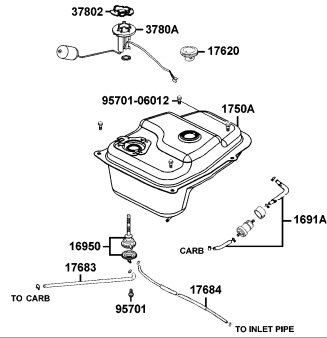
# CONTENTS - FRAME GROUP

<p><b>F01</b>    Head Light</p> 	<p><b>F02</b>    Speedometer</p> 	<p><b>F03</b>    Handle Steering Handle Cover</p> 
<p><b>F04</b>    Brake Master Cylinder</p> 	<p><b>F05</b>    Front Cover Front Fender</p> 	<p><b>F06</b>    Stem Steering Front Cushion</p> 
<p><b>F07</b>    Front Wheel</p> 	<p><b>F08</b>    Rear Wheel</p> 	<p><b>F09</b>    Seat</p> 

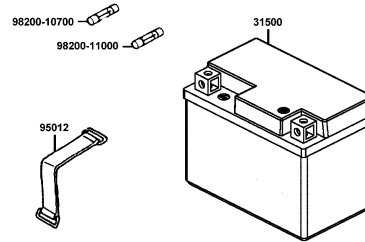


# CONTENTS - FRAME GROUP

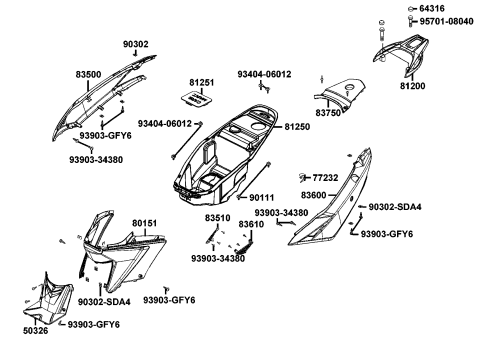
## F10 Fuel Tank



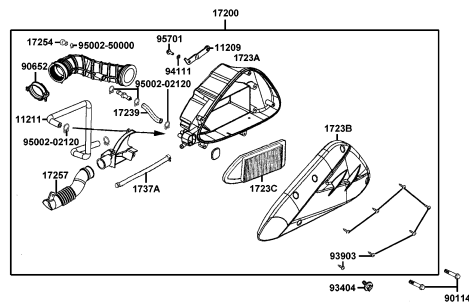
## F11 Battery



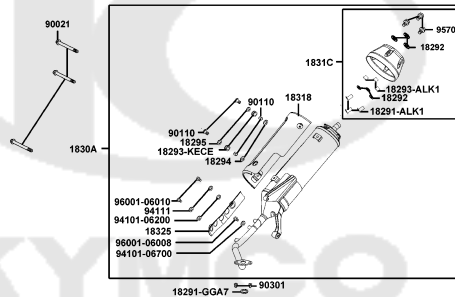
## F12 Body Cover Luggage Box



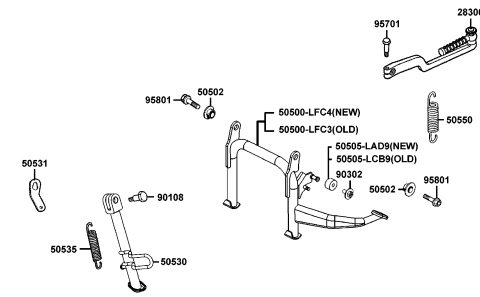
## F13 Air Cleaner



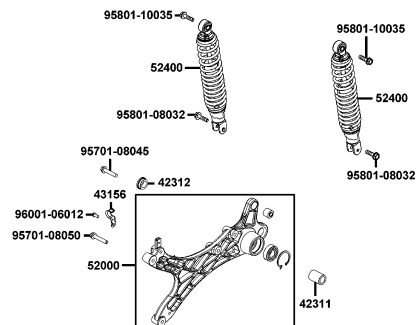
## F14 Exhaust Muffler



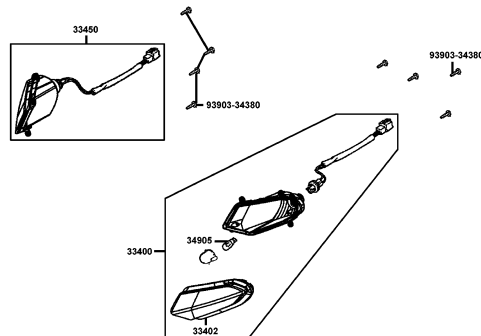
## F15 Stand Kick Starter Arm



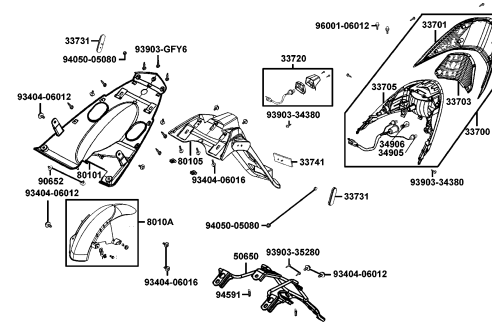
## F16 Rear Cushion



## F17 Front Winker

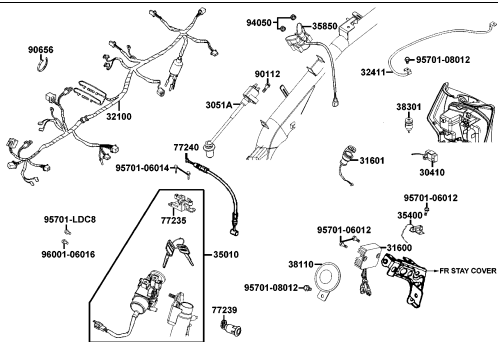


## F18 Tail Light

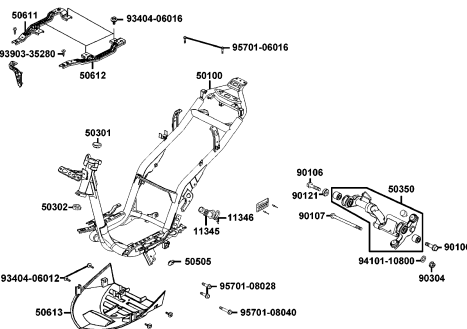


## CONTENTS - FRAME GROUP

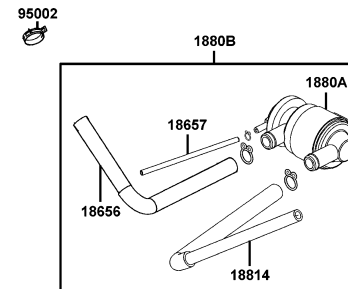
### F19 Wire Harness



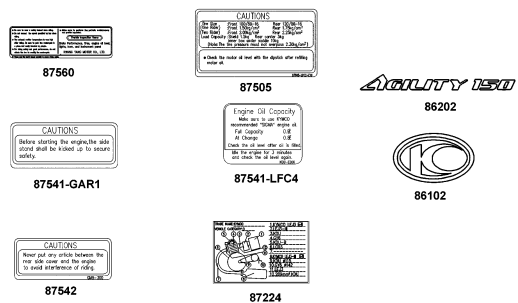
### F20 Frame Body



### F21 Air Cleaner Two

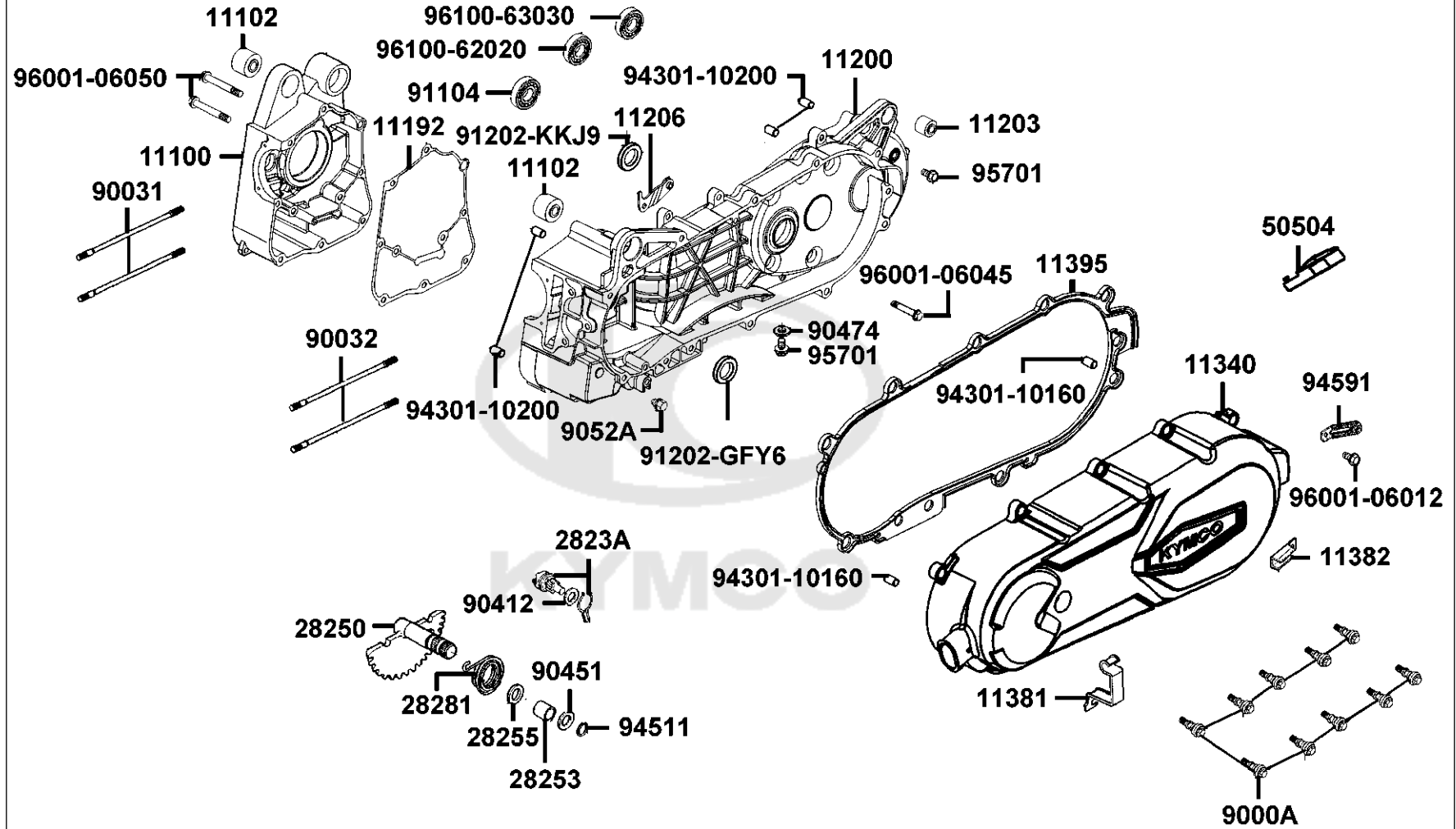


### F22 Emblem Stripe



E01

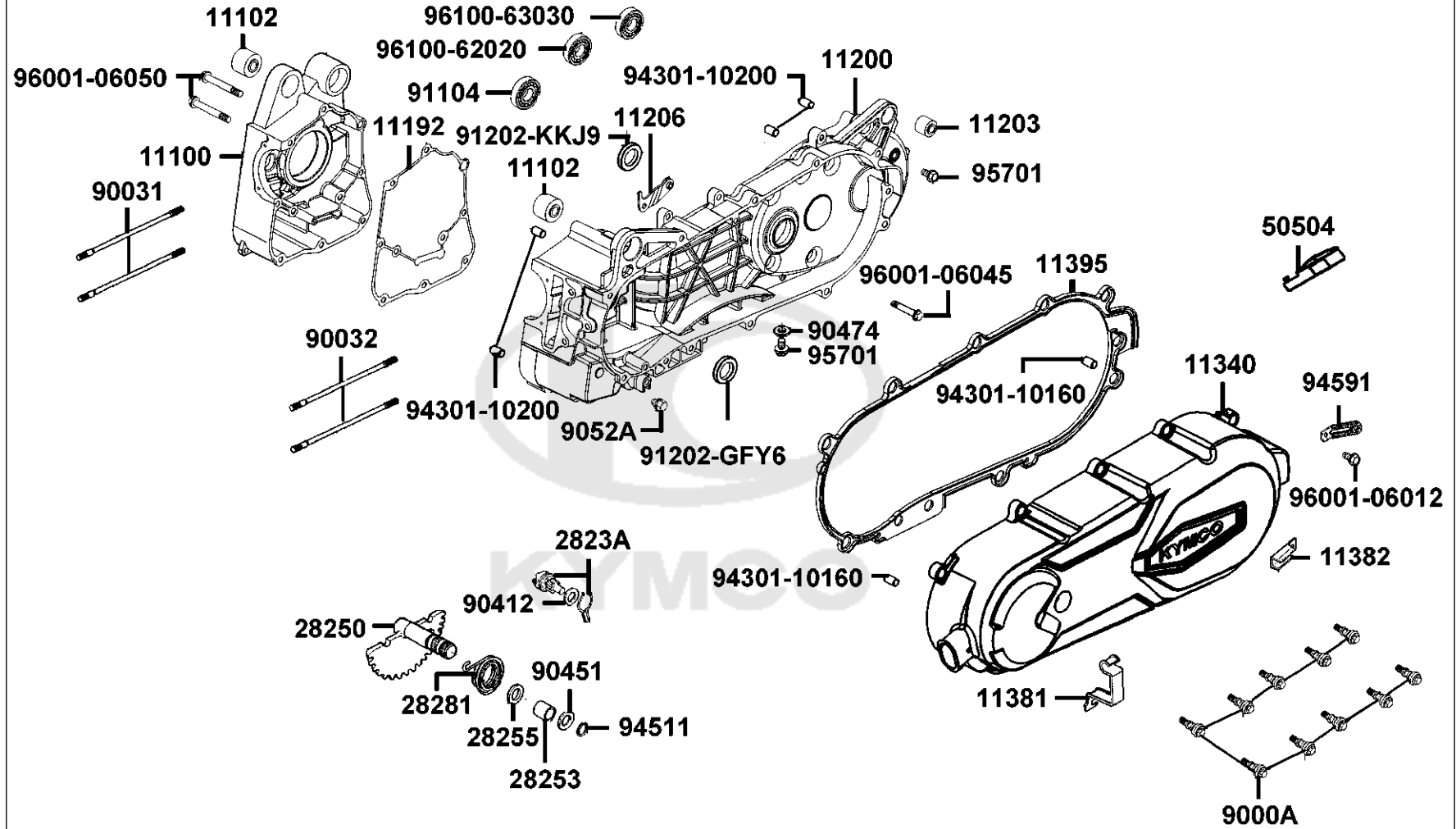
# Crank Case



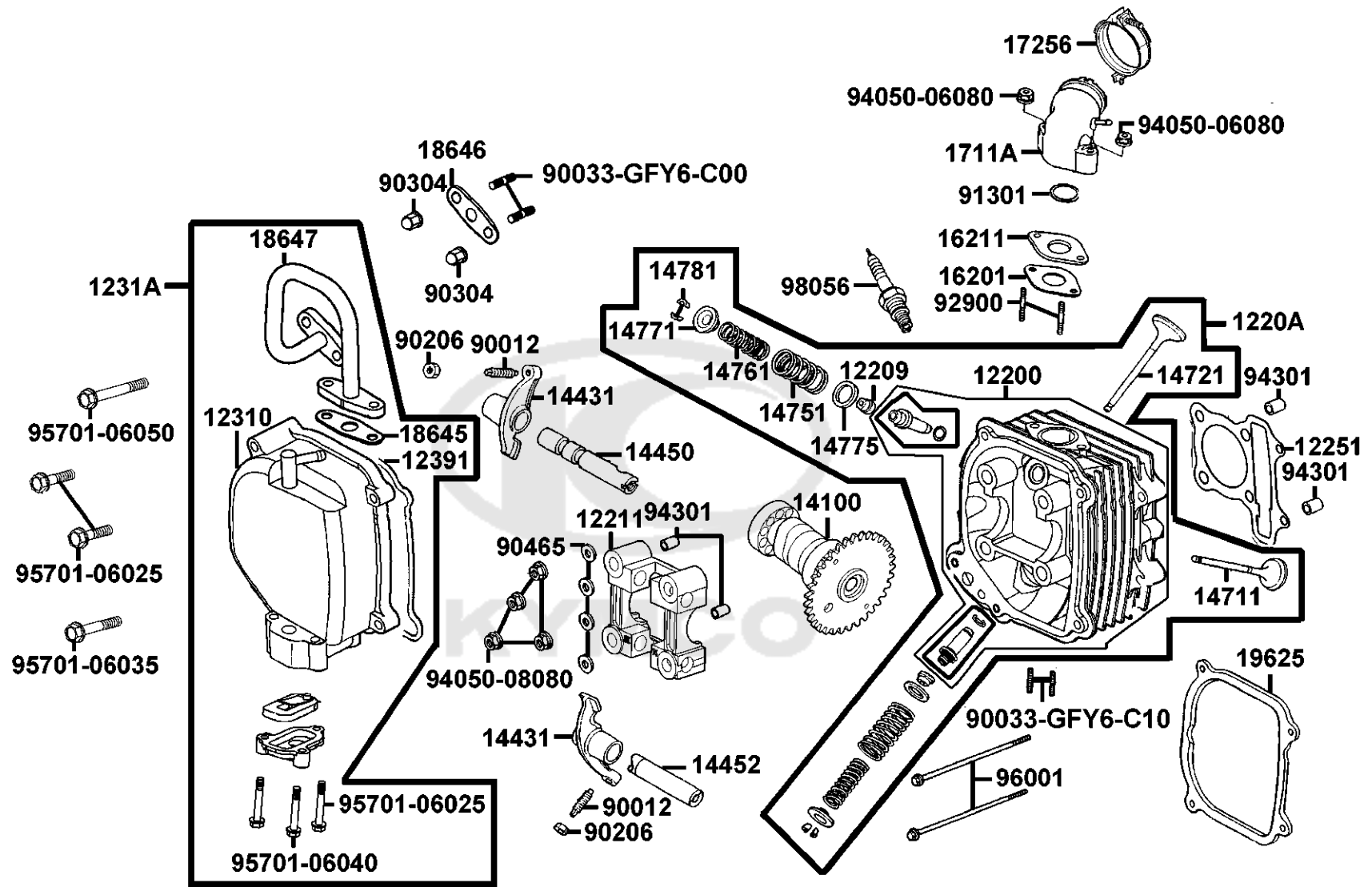
Sales mark	Ref no	Part no	Description	Reg description	Regd no	E01
	11100	11100-LCD4-C00	CRANK CASE COMP RIGHT	CRANK CASE COMP RIGHT	1	
	11102	11102-1G87-C00	RUB BUSH ENG HANGER	RUB BUSH ENG HANGER	1	
	11192	11192-LGS6-E90	GASKET CRANK CASE @ A	GASKET CRANK CASE @ A	1	
	11200	11200-LCD4-C00	CRANK CASE COMP L	CRANK CASE COMP L	1	
	11203	11203-GGC7-W10	UNDER RUBBER BUSH REAR CUSHION	UNDER RUBBER BUSH REAR CUSHION	1	
	11206	11206-LCD3-C00	STAY A RR FENDER	STAY A RR FENDER	1	
**	11340	11340-LEJ3-E11	"COVER, LEFT"	"COVER, LEFT"	1	
	11381	11381-KHB4-C00	"CLAMPER,THROTTLE CABLE"	"CLAMPER,THROTTLE CABLE"	1	
	11382	11382-LEJ3-E10	CLAMPER BRAKE CABLE3	CLAMPER BRAKE CABLE3	1	
	11395	11395-KHB4-C00	GASKET L COVER @A	GASKET L COVER @A	1	
	2823A	2823A-KNBN-C00	SPINDLE COMP KICK STARTER	SPINDLE COMP KICK STARTER	1	
	28250	28250-LEJ3-E10	SPINDLE COMP KICK STARTER	SPINDLE COMP KICK STARTER	1	
	28253	28253-GBN2-C00	BUSH KICK SPDL	BUSH KICK SPDL	1	
	28255	28255-GFS6-C00	COLLAR KICK BOSS	COLLAR KICK BOSS	1	
	28281	28281-GBN2-C00	SPRING KICK RETURN	SPRING KICK RETURN	1	
	50504	50504-LEJ3-E11	STAND MAIN STOPPER	STAND MAIN STOPPER	1	
	9000A	9000A-KTDT-C03	BOLT ASSY SPECIAL 6*29.5	BOLT ASSY SPECIAL 6*29.5	10	
	9000A	9000A-LEJ2-E10	BOLT ASSY SPECIAL 6*27	BOLT ASSY SPECIAL 6*27	10	
	90031	90031-KUDU-C01	BOLT A STUD 8*200.5	BOLT A STUD 8*200.5	1	
	90032	90032-KUDU-C00	BOLT B STUD 8*208.5	BOLT B STUD 8*208.5	1	

E01

# Crank Case



Sales mark	Ref no	Part no	Description	Reg description	Regd no	E01
	90412	90412-3K29-C00	WASHER THRUST 10MM	WASHER THRUST 10MM	1	
	90451	90451-GBN2-C00	WASHER KICK SPINDLE	WASHER KICK SPINDLE	1	
	90474	90474-3C33-C00	WASHER 8MM(T*2)	WASHER 8MM(T*2)	1	
	9052A	9052A-GFY6-C00	BLOT ASSY DRAIN PLUG	BLOT ASSY DRAIN PLUG	1	
	9052A	9052A-PUA3-B50	BLOT ASSY DRAIN PLUG	BLOT ASSY DRAIN PLUG	1	
	91104	91104-KGN7-671	BRG BALL RADIAL 6204	BRG BALL RADIAL 6204	1	
	91202-GFY6	91201-GFY6-C00	OIL SEAL 19.8*30*5	OIL SEAL 19.8*30*5	1	
	91202-KKJ9	91202-KKJ9-C00	OIL SEAL 20*32*6	OIL SEAL 20*32*6	1	
	94301-10160	94301-10160	DOWEL PIN 10*16	DOWEL PIN 10*16	4	
	94301-10200	94301-10200	DOWEL PIN 10*20	DOWEL PIN 10*20	2	
	94511	94511-14000	CIR CLIP EX 14	CIR CLIP EX 14	1	
	94591	94591-LDC8-E10	CLIP BIND	CLIP BIND	1	
	95701	95701-08012-08	BOLT FLANGE 8*12 (C)	BOLT FLANGE 8*12 (C)	2	
	95701	95701-08012-08G	BOLT FLANGE 8*12 (C)	BOLT FLANGE 8*12 (C)	2	
	96001-06012	96001-06012-08	BOLT FLANGE 6*12	BOLT FLANGE 6*12	2	
	96001-06012	96001-06012-08G	BOLT FLANGE SH 6*12 (C)	BOLT FLANGE SH 6*12 (C)	2	
	96001-06045	96001-06045-08	BOLT FLANGE SH 6*45 (C)	BOLT FLANGE SH 6*45 (C)	10	
	96001-06050	96001-06050-08	BOLT FLANGE 6*50	BOLT FLANGE 6*50	2	
	96100-62020	96100-62020-00	BEARING BALL RADIAL 6202	BEARING BALL RADIAL 6202	1	
	96100-63030	96100-63030-00	BEARING BALL RADIAL 6303	BEARING BALL RADIAL 6303	1	

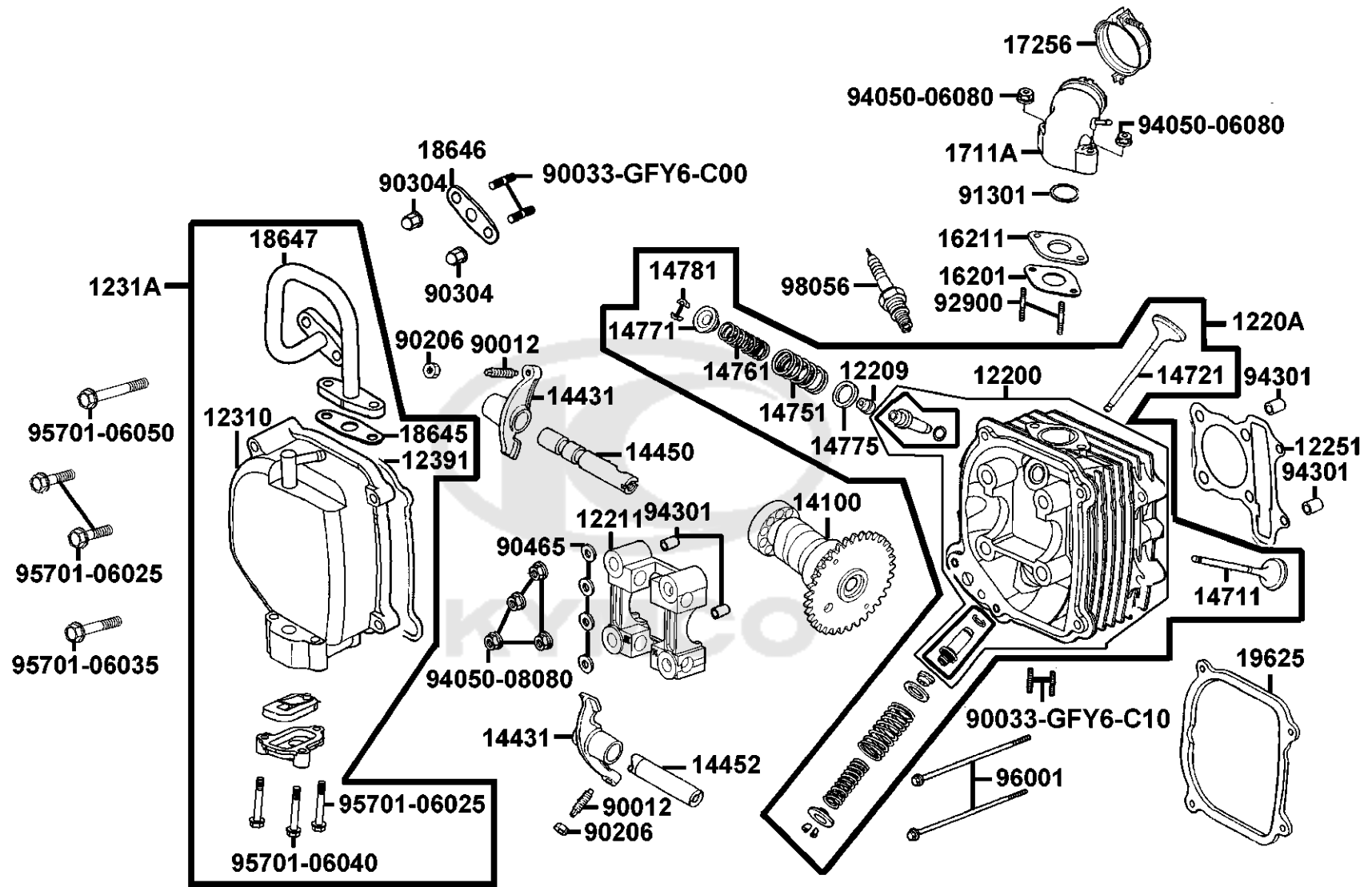


Sales mark	Ref no	Part no	Description	Reg description	Regd no	<b>E02</b>
12200		12200-LFC4-C10	HEAD COMP CYLN	HEAD COMP CYLN	1	
12209		12209-GDB4-C00	SEAL VALVE STEM	SEAL VALVE STEM	1	
1220A		1220A-LFC4-E10	HEAD ASSY CYLN	HEAD ASSY CYLN	1	
12211		12211-KUDU-W10	HOLDER CAM SHAFT COMP	HOLDER CAM SHAFT COMP	1	
12251		12251-KFBF-C00	GASKET CYLINDER HEAD	GASKET CYLINDER HEAD	1	
12310		12310-KHC4-C11	"COVER COMP, HEAD"	"COVER COMP, HEAD"	1	
1231A		1231A-KHC4-C11	COVER ASSY HEAD	COVER ASSY HEAD	1	
12391		12391-GFY6-C00	GASKET HEAD COVER	GASKET HEAD COVER	1	
12391		12391-GFY6-C10	GASKET HEAD COVER	GASKET HEAD COVER	1	
14100		14100-LGS6-E10	SHAFT COMP CAM	SHAFT COMP CAM	1	
14431		14431-KUDU-W10	ARM VALVE ROCKER	ARM VALVE ROCKER	2	
14450		14450-GFY6-W10	SHAFT COMP IN ROCKER ARM	SHAFT COMP IN ROCKER ARM	1	
14452		14452-GFY6-W10	SHAFT EXH ROCKER ARM	SHAFT EXH ROCKER ARM	1	
14711		14711-KUDU-C00	VALVE INLET	VALVE INLET	1	
14721		14721-KUDU-C00	VALVE EXHAUST	VALVE EXHAUST	1	
14751		14751-KUDU-C10	SPRING VALVE OUTER	SPRING VALVE OUTER	2	
14761		14761-KUDU-C10	SPG VALVE INNER	SPG VALVE INNER	1	
14771		14771-GDB4-C00	RETAINER VALVE SPRING	RETAINER VALVE SPRING	1	
14775		14775-MFA6-C00	SEAT VALVE SPG OUTER	SEAT VALVE SPG OUTER	1	
14781		14781-MFA6-C00	COTTER VALVE	COTTER VALVE	1	



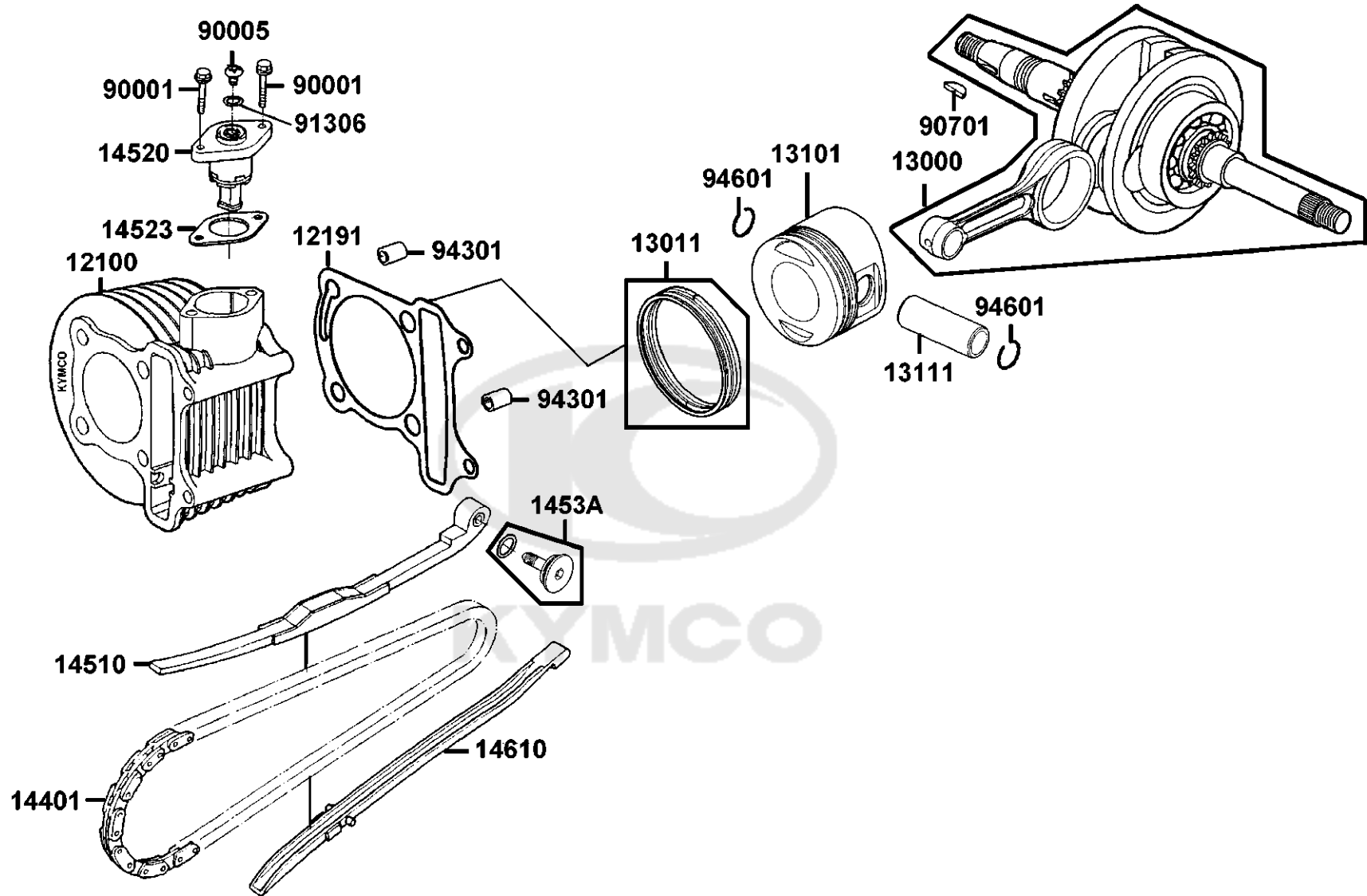


Sales mark	Ref no	Part no	Description	Reg description	Regd no	E02
	16201	16201-GFY6-E90	GASKET CARB INSULATOR	GASKET CARB INSULATOR	1	
	16211	16211-GFY6-W10	INSULATOR CARB	INSULATOR CARB	1	
	1711A	1711A-LEJ3-E10	PIPE ASSYINLET	PIPE ASSYINLET	1	
	17256	17256-GFY6-C00	BAND INSULATOR	BAND INSULATOR	1	
	18645	18645-GFY6-C00	GASKET A/I PIPE	GASKET A/I PIPE	1	
	18646	18646-LDC8-E10	GASKET A/I PIPE	GASKET A/I PIPE	1	
	18647	18647-GFY6-C00	PIPE COMP AIR	PIPE COMP AIR	1	
	19625	19625-KUDU-C00	SEAL SHROUD	SEAL SHROUD	1	
	90012	90012-3C33-C00	SCREW TAPPET ADJUSTING	SCREW TAPPET ADJUSTING	1	
	90033-GFY6-C00	90033-GFY6-C00	BOLT 8*32	BOLT 8*32	1	
	90033-GFY6-C10	90033-GFY6-C10	BOLT STUD 6*16	BOLT STUD 6*16	1	
	90206	90206-0A01-C00	NUT TAPPET ADJG	NUT TAPPET ADJG	1	
	90304	90304-4H38-C00	NUT HEX CAP 6MM	NUT HEX CAP 6MM	1	
	90465	90465-MDC4-C00	WASHER 8MM	WASHER 8MM	1	
	91301	91301-0H28-C00	O-RING 27*2	O-RING 27*2	1	
	92900	92900-06060-0B	BOLT STUD 6*60	BOLT STUD 6*60	2	
	94050-06080	94050-06080	NUT FLANGE 6MM	NUT FLANGE 6MM	2	
	94050-08080	94050-08080	NUT FLANGE 8MM	NUT FLANGE 8MM	4	
	94301	94301-10160	DOWEL PIN 10*16	DOWEL PIN 10*16	4	
	95701-06025-00	95701-06025-00	BOLT FLANGE 6*25 (B)	BOLT FLANGE 6*25 (B)	1	



Sales mark	Ref no	Part no	Description	Reg description	Regd no	<b>E02</b>
	95701-06025-08	95701-06025-08	BOLT FLANGE 6*25	BOLT FLANGE 6*25	2	
	95701-06035	95701-06035-08	BOLT FLANGE 6*35 (C)	BOLT FLANGE 6*35 (C)	1	
	95701-06040	95701-06040-00	BOLT FLANGE 6*40 (B)	BOLT FLANGE 6*40 (B)	2	
	95701-06050	95701-06050-08	BOLT FLANGE 6*50 (C)	BOLT FLANGE 6*50 (C)	1	
	96001	96001-06100-08	BOLT FLANGE SH 6*100 (C)	BOLT FLANGE SH 6*100 (C)	2	
	98056	98056-5771R-00	SPARK PLUG (CR7HSA)	SPARK PLUG (CR7HSA)	1	

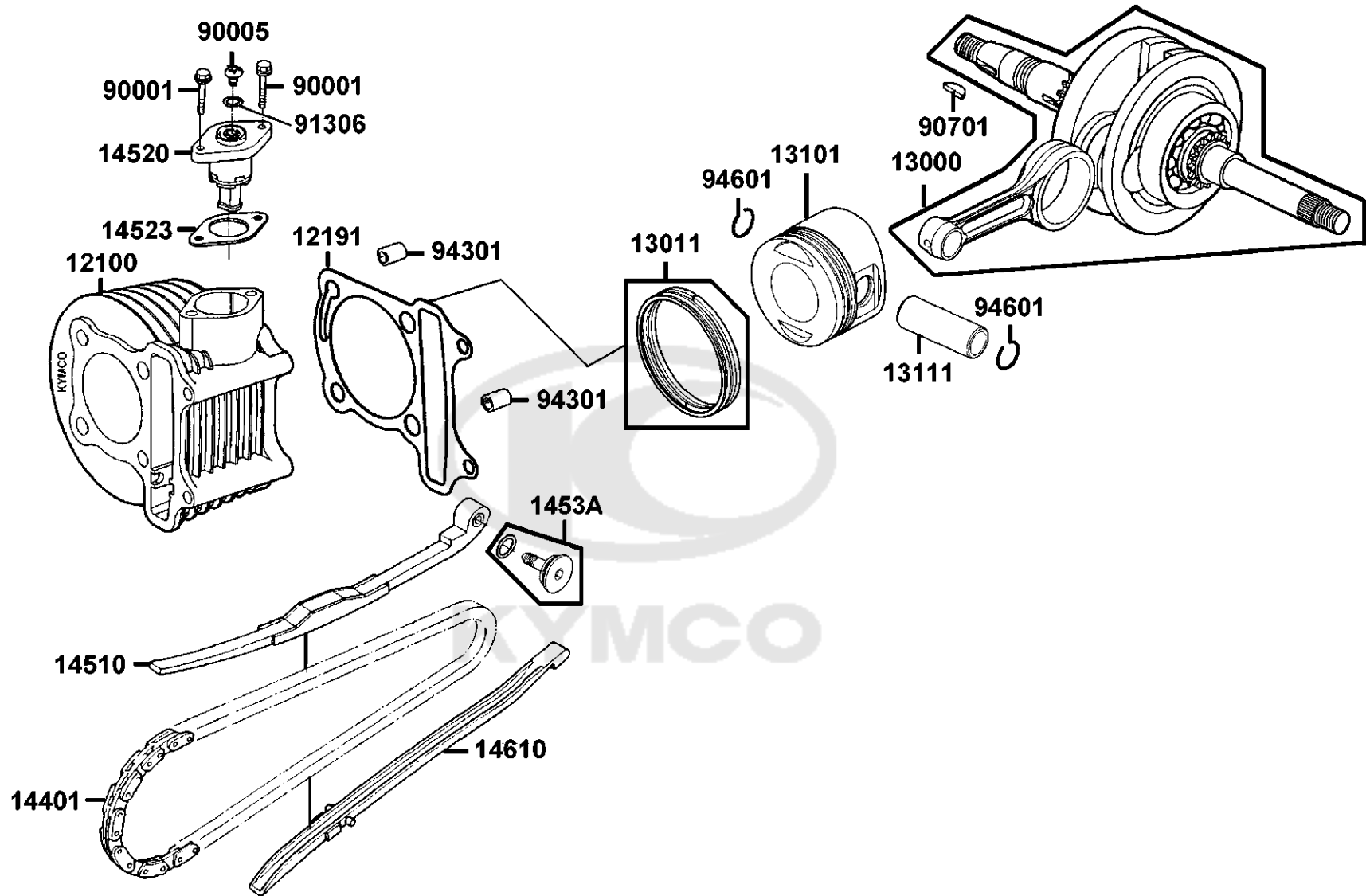




Sales mark	Ref no	Part no	Description	Reg description	Regd no	E03
	12100	12100-LFC4-E10	CYLINDER COMP	CYLINDER COMP	1	
	12191	12191-KFBF-E90	GASKET CYLINDER @A	GASKET CYLINDER @A	1	
	13000	13000-KFB7-C00	CRANK SHAFT COMP	CRANK SHAFT COMP	1	
	13011	13011-KFBF-E0A	RING SET PISTON	RING SET PISTON	1	
	13101	13101-KFB7-C00	PISTON	PISTON	1	
	13111	13111-KKJ9-C10	PIN PISTON	PIN PISTON	1	
	14401	14401-KUDU-C00	CHAIN CAM	CHAIN CAM	1	
	14510	14510-KUDU-C00	TENSIONER CAM CHAIN	TENSIONER CAM CHAIN	1	
	14510	14510-KUDU-C0B	TENSIONER CAM CHAIN	TENSIONER CAM CHAIN	1	
	14520	14520-GFY6-C00	LIFTER ASSY TENSIONER	LIFTER ASSY TENSIONER	1	
	14523	14523-GFY6-E90	GASKET TENSIONER LIFTER@A	GASKET TENSIONER LIFTER@A	1	
	1453A	1453A-GFY6-W10	PIVOT CAM CHAIN TENSIONER	PIVOT CAM CHAIN TENSIONER	1	
	14610	14610-KUDU-C00	GUIDE COMP CAM CHAIN	GUIDE COMP CAM CHAIN	1	
	14610	14610-KUDU-C0B	GUIDE COMP CAM CHAIN	GUIDE COMP CAM CHAIN	1	
	14610	14610-KUDU-C10	GUIDE COMP CAM CHAIN	GUIDE COMP CAM CHAIN	1	
	90001	90001-GBHB-C00	BOLT FLANGE SH 6X22	BOLT FLANGE SH 6X22	1	
	90005	90005-KAW1-901	SCREW PAN 6*6	SCREW PAN 6*6	1	
	90701	90701-HFB6-C00	KEY WOODRUFF 25*14*4	KEY WOODRUFF 25*14*4	1	
	91306	91306-1E05-C00	O-RING 1.5*9.5	O-RING 1.5*9.5	1	
	94301	94301-10160	DOWEL PIN 10*16	DOWEL PIN 10*16	2	

E03

# Cylinder Piston Crankshaft



Sales mark	Ref no	Part no	Description	Reg description	Regd no	<b>E03</b>
------------	--------	---------	-------------	-----------------	---------	------------

94601

94601-15000

CLIP PISTON PIN 15MM

CLIP PISTON PIN 15MM

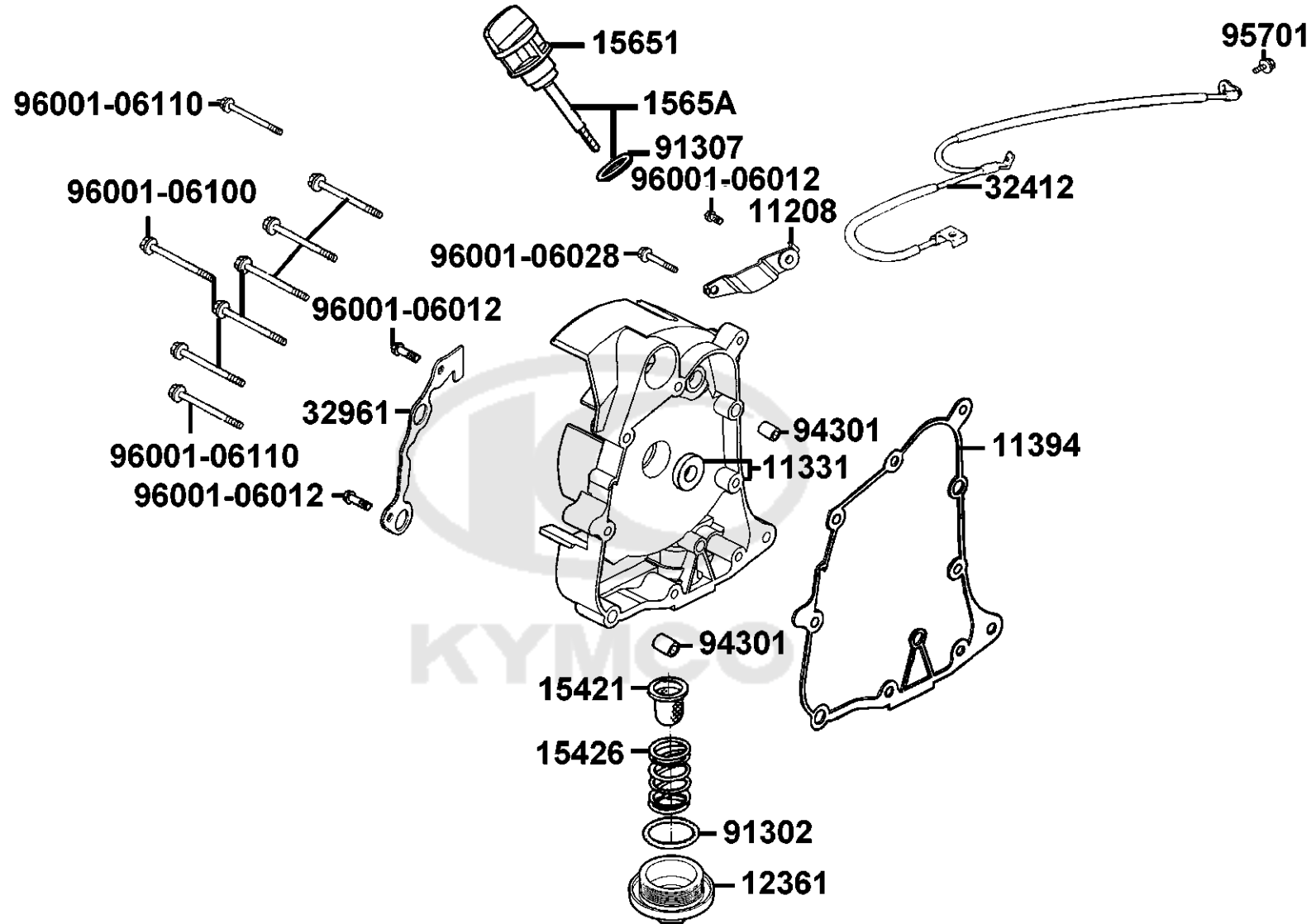
2





E04

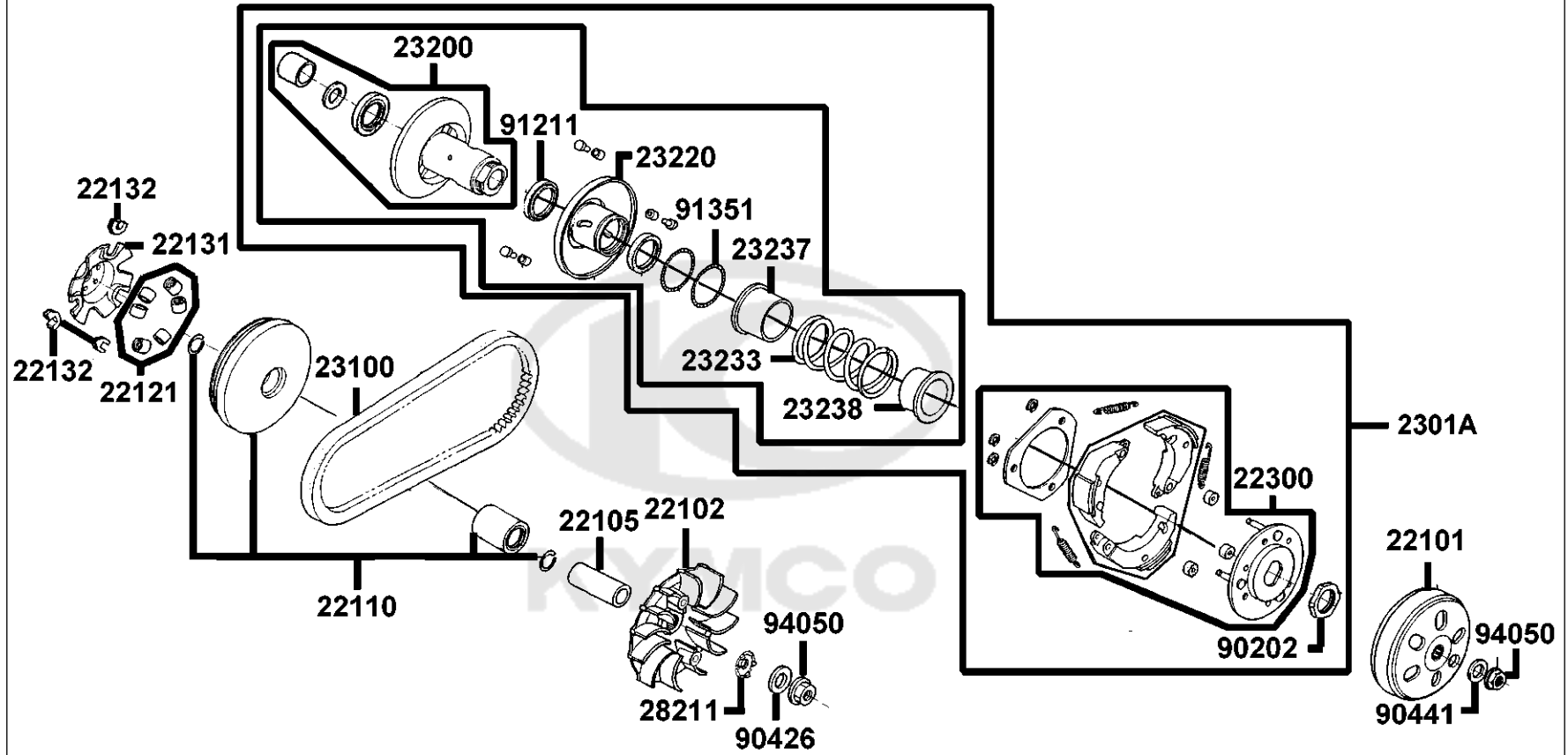
Right Crankcase Cover



Sales mark	Ref no	Part no	Description	Reg description	Regd no	E04
	11208	11208-LFC3-E10	"STAY, RR TIRE FENDER"	"STAY, RR TIRE FENDER"	1	
	11331	11331-LCD3-E00	COVER R CRANK CASE	COVER R CRANK CASE	1	
	11394	11394-KUDU-E90	GASKET R COVER	GASKET R COVER	1	
	12361	12361-GFY6-C00	HOLE CAP TAPPET ADJUSTING	HOLE CAP TAPPET ADJUSTING	1	
	15421	15421-1G07-W10	SCREEN OIL FILTER	SCREEN OIL FILTER	1	
	15426	15426-GAE1-C00	SPG OIL FILTER SCREEN	SPG OIL FILTER SCREEN	1	
	15651	15651-KUDU-W10	GUAGE OIL LEVEL	GUAGE OIL LEVEL	1	
	1565A	1565A-KUDU-W10	GAUGE OIL LEVEL ASSY	GAUGE OIL LEVEL ASSY	1	
	32412	32412-LEH3-C10	CABLE EARTH	CABLE EARTH	1	
	32961	32961-KUDU-C00	CLAMPER ACG CORD	CLAMPER ACG CORD	1	
	91302	91302-0A01-C00	O-RING 30.8M/M	O-RING 30.8M/M	1	
	91307	91307-0E35-W10	O-RING 18*3	O-RING 18*3	1	
	94301	94301-10160	DOWEL PIN 10*16	DOWEL PIN 10*16	2	
	95701	95701-06012-08	BOLT FLANGE 6*12	BOLT FLANGE 6*12	1	
	96001-06012	96001-06012-08	BOLT FLANGE 6*12	BOLT FLANGE 6*12	2	
	96001-06012	96001-06012-08G	BOLT FLANGE SH 6*12 (C)	BOLT FLANGE SH 6*12 (C)	2	
	96001-06028	96001-06028-08	BOLT FLANGE SH 6*28	BOLT FLANGE SH 6*28	1	
	96001-06100	96001-06100-08	BOLT FLANGE SH 6*100 (C)	BOLT FLANGE SH 6*100 (C)	6	
	96001-06110	96001-06110-08	BOLT FLANGE SH 6*110	BOLT FLANGE SH 6*110	2	

E05

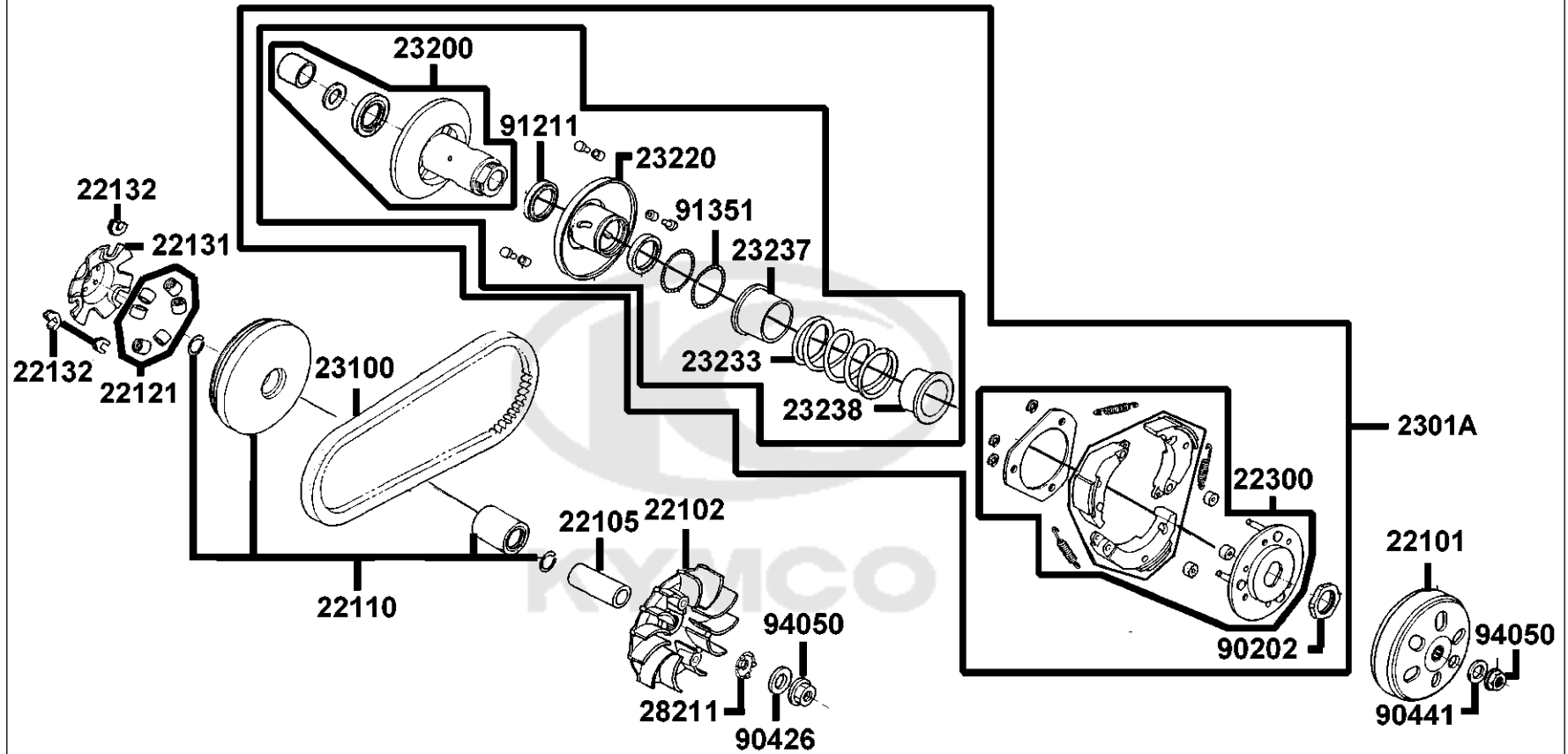
Driven Pulley



Sales mark	Ref no	Part no	Description	Reg description	Regd no	E05
	22101	22101-LCD3-C00	OUTER CLUTCH	OUTER CLUTCH	1	
	22102	22102-KUDU-E80	FACE DRIVE	FACE DRIVE	1	
	22105	22105-GFY6-C10	BOSS DRIVE FACE	BOSS DRIVE FACE	1	
	22110	22110-KUDU-E80	FACE COMP MOVABLE DRIVE	FACE COMP MOVABLE DRIVE	1	
	22121	22121-LFC4-315	ROLLER COMP WEIGHT	ROLLER COMP WEIGHT	1	
	22121	22121-LFC4-E10	ROLLER COMP WEIGHT	ROLLER COMP WEIGHT	1	
	22131	22131-GFY6-C00	PLATE RAMP	PLATE RAMP	1	
	22132	22132-KBN2-315	PIECE SLIDE	PIECE SLIDE	1	
	22132	22132-KBN2-C00	PIECE SLIDE	PIECE SLIDE	1	
	22300	22300-LCD4-C00	PLATE ASSY DRIVE	PLATE ASSY DRIVE	1	
	2301A	2301A-LCD4-C00	PULLEY SUB ASSY	PULLEY SUB ASSY	1	
	23100	23100-KEC4-C00	BELT DRIVE	BELT DRIVE	1	
	23100	23100-KEC4-C0E	BELT DRIVE	BELT DRIVE	1	
	23200	23200-GFY6-C00	FACE ASSY DRIVEN	FACE ASSY DRIVEN	1	
	23220	23220-KFBF-C00	FACE MOVABLE DRIVEN	FACE MOVABLE DRIVEN	1	
	23233	23233-GCW3-C00	SPG DRIVEN FACE	SPG DRIVEN FACE	1	
	23237	23237-GFY6-C00	COLLAR SEAL	COLLAR SEAL	1	
	23238	23238-GFY6-C00	COLLAR SPG	COLLAR SPG	1	
	28211	28211-KUDU-W10	RATCHET KICK STARTER	RATCHET KICK STARTER	1	
	90202	90202-1G87-C00	NUT SPECIAL 28MM	NUT SPECIAL 28MM	1	

E05

Driven Pulley

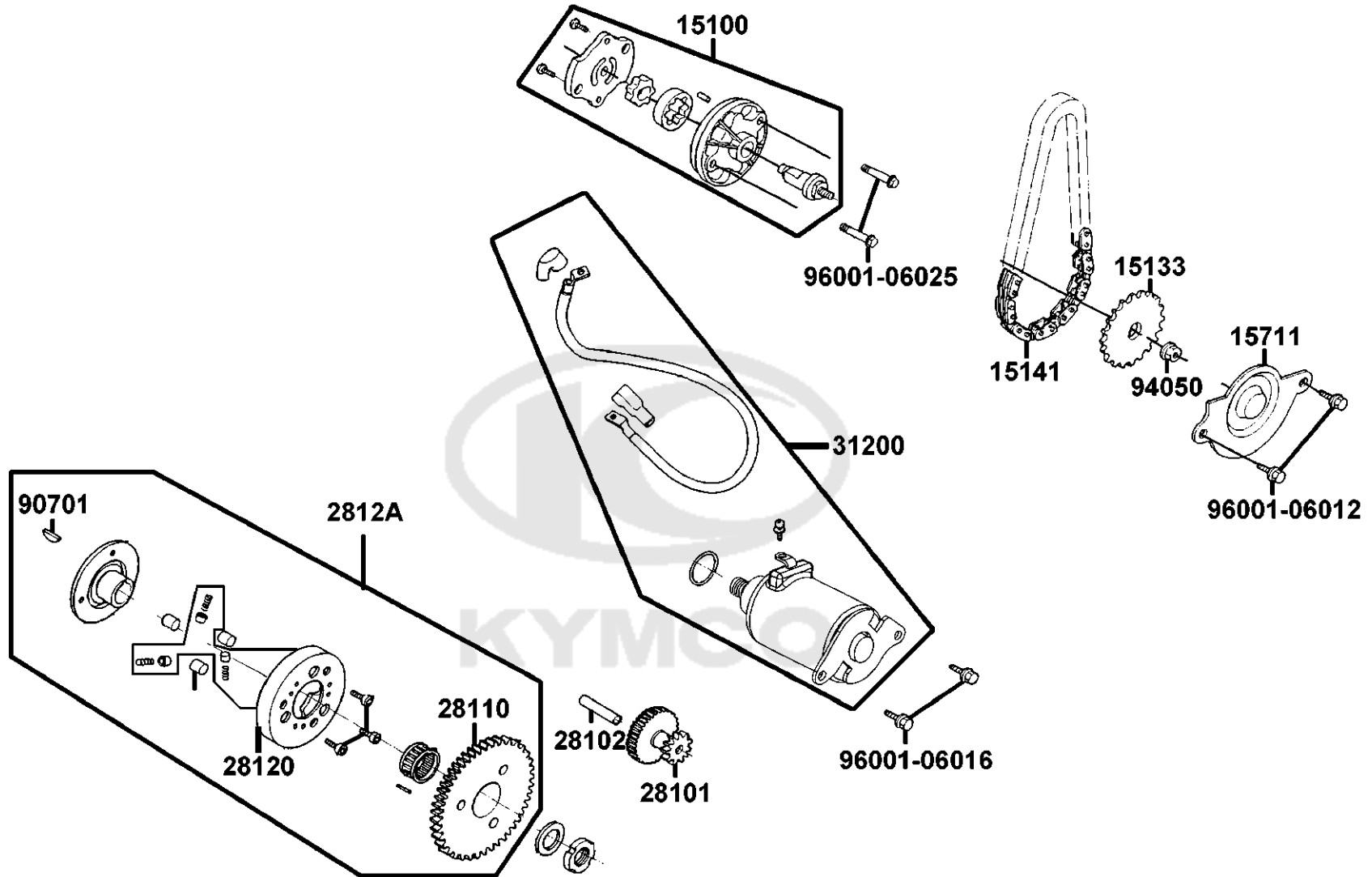


Sales mark	Ref no	Part no	Description	Reg description	Regd no	<b>E05</b>
90426	90426-KNBN-C00	90426-KNBN-C00	WASHER SPECIAL 12MM	WASHER SPECIAL 12MM	1	
90426	90426-KNBN-C01	90426-KNBN-C01	WASHER SPECIAL 12MM	WASHER SPECIAL 12MM	1	
90441	90441-GFY6-C00	90441-GFY6-C00	WASHER 12.2*29*2.5	WASHER 12.2*29*2.5	1	
91211	91211-KEBE-C00	91211-KEBE-C00	SEAL DRIVEN FACE 34*41*4	SEAL DRIVEN FACE 34*41*4	1	
91351	91351-6B42-C00	91351-6B42-C00	O-RING PINION CAP	O-RING PINION CAP	2	
94050	94050-12080	94050-12080	NUT FLANGE 12MM (C)	NUT FLANGE 12MM (C)	2	



E06

# Starting Motor Oil Pump

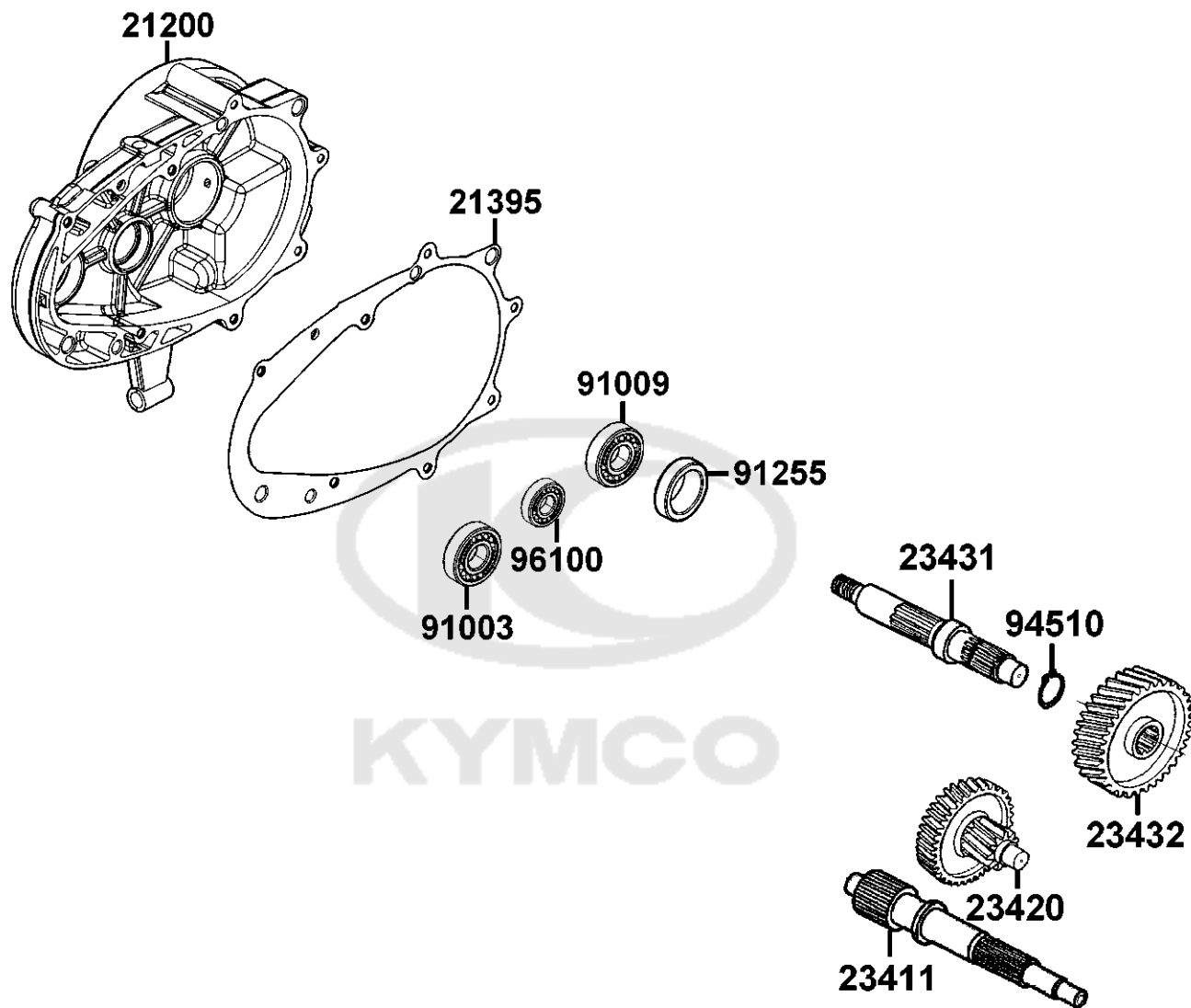


Sales mark	Ref no	Part no	Description	Reg description	Regd no	<b>E06</b>
15100		15100-KFB7-C00	PUMP ASSY OIL	PUMP ASSY OIL	1	
15133		15133-GFY6-W10	SPROCKET OIL PUMP DRIVE	SPROCKET OIL PUMP DRIVE	1	
15141		15141-GFY6-C00	CHAIN OIL PUMP	CHAIN OIL PUMP	1	
15711		15711-KUDU-C00	SEPARATER OIL	SEPARATER OIL	1	
28101		28101-GFY6-C00	GEAR STARTER REDUCTION	GEAR STARTER REDUCTION	1	
28102		28102-GFY6-C00	SHAFT STARTER REDUCTION GEAR	SHAFT STARTER REDUCTION GEAR	1	
28110		28110-GFY6-C10	OUTER ASSY START CLUTCH	OUTER ASSY START CLUTCH	1	
28120		28120-GFY6-C00	OUTER CLUTCH	OUTER CLUTCH	1	
28120		28120-GFY6-C10	GEAR COMP STARTING CLUTCH	GEAR COMP STARTING CLUTCH	1	
2812A		2812A-GFY6-C10	OUTER COMP STARTING CLUTCH	OUTER COMP STARTING CLUTCH	1	
31200		31200-LDF7-E10	MOTOR ASSY,START	MOTOR ASSY,START	1	
90701		90701-HFB6-C00	KEY WOODRUFF 25*14*4	KEY WOODRUFF 25*14*4	1	
94050		94050-06080	NUT FLANGE 6MM	NUT FLANGE 6MM	1	
96001-06012		96001-06012-08	BOLT FLANGE 6*12	BOLT FLANGE 6*12	2	
96001-06012		96001-06012-08G	BOLT FLANGE SH 6*12 (C)	BOLT FLANGE SH 6*12 (C)	2	
96001-06016		96001-06016-08	BOLT FLANGE SH 6*16	BOLT FLANGE SH 6*16	2	
96001-06025		96001-06025-08	BOLT FLANGE SH 6*25 (C)	BOLT FLANGE SH 6*25 (C)	2	

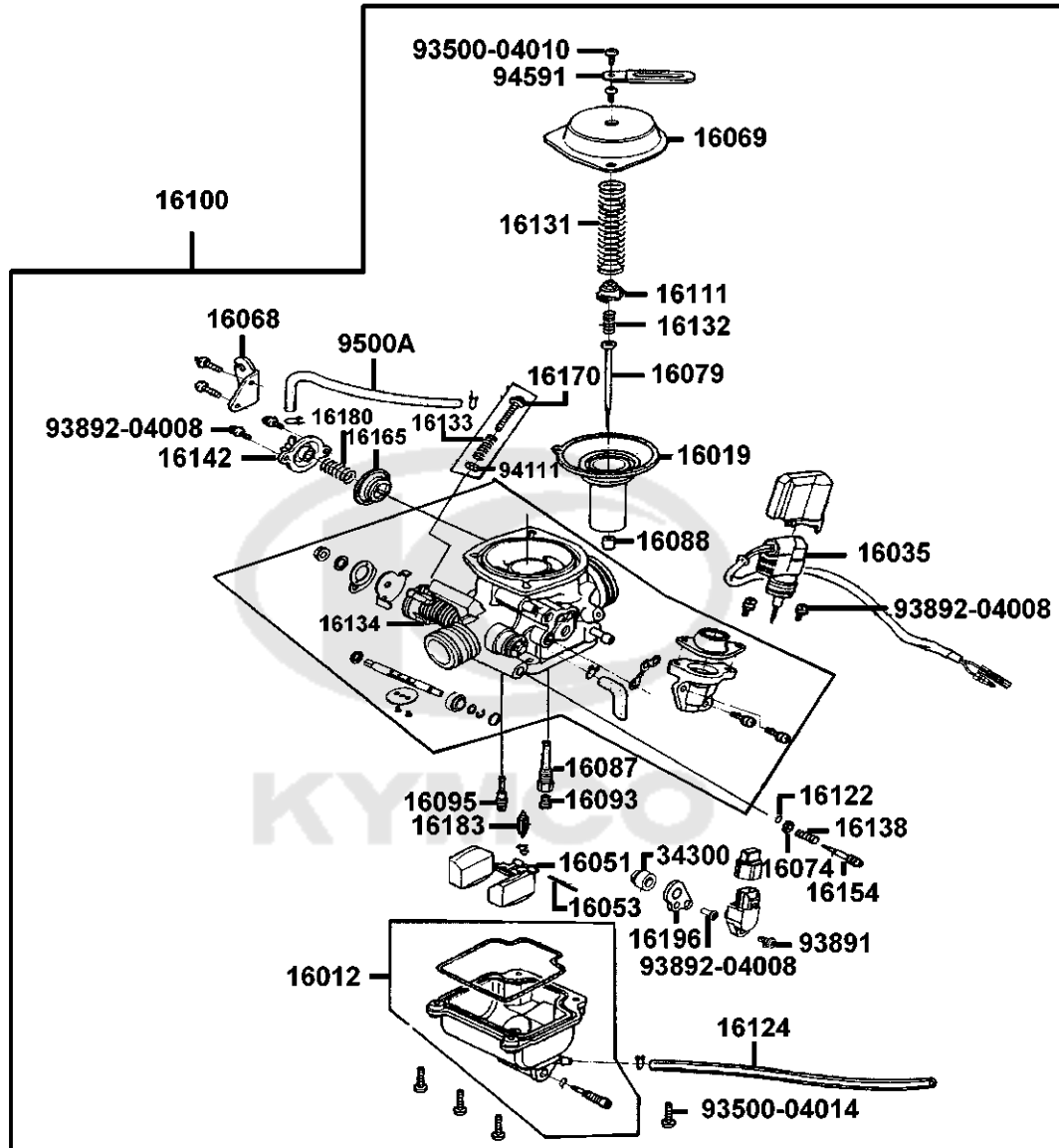




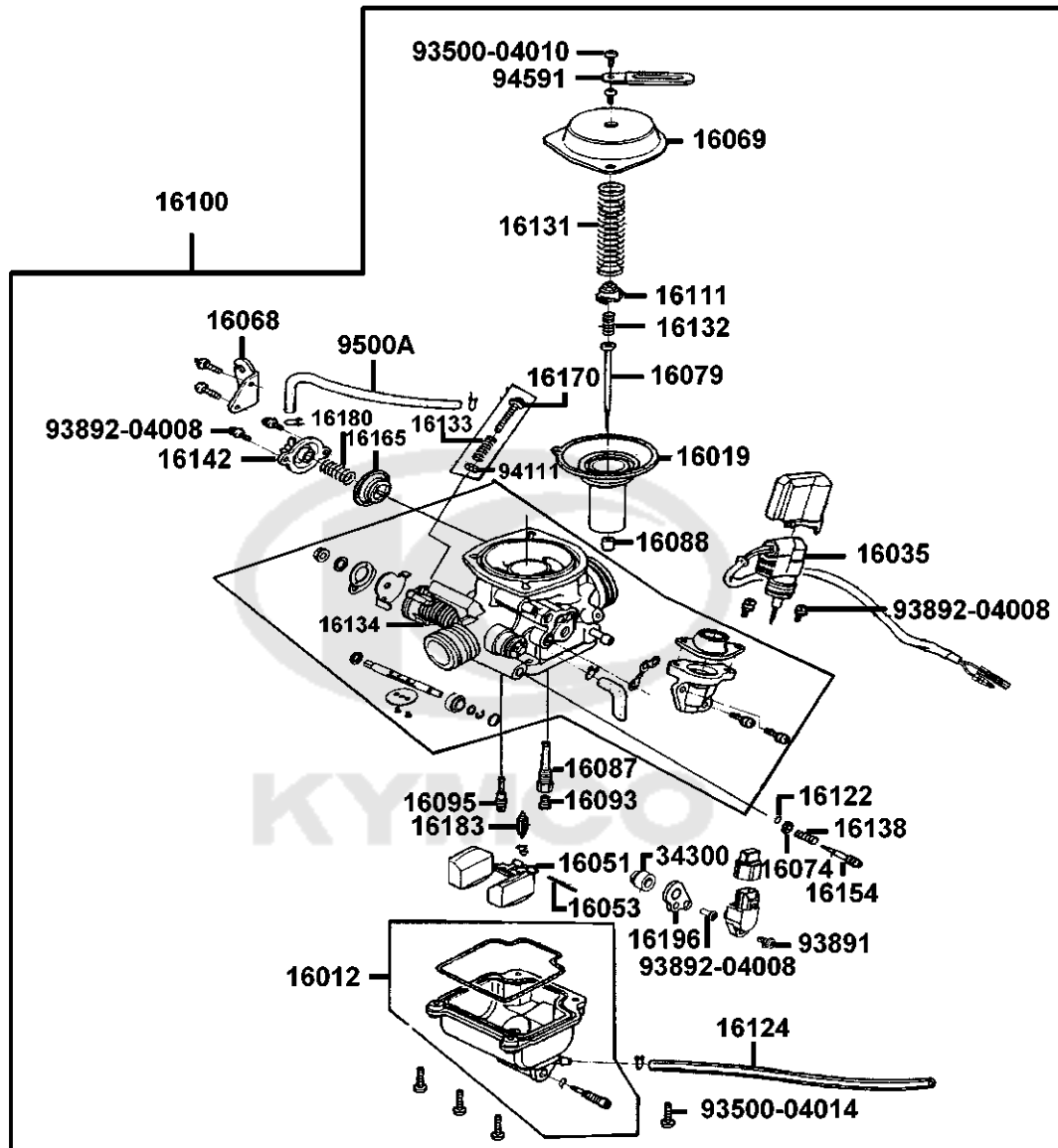
Sales mark	Ref no	Part no	Description	Reg description	Regd no	E07
19510		19510-KFB7-C00	FAN COMP COOLING	FAN COMP COOLING	1	
1961A		1961A-KUDU-E10	COVER ASSY FAN	COVER ASSY FAN	1	
1962A		1962A-KKE3-C00	SHROUD ASSY A	SHROUD ASSY A	1	
1963A		1963A-LDF7-E10	SHROUD COMP B	SHROUD COMP B	1	
31100		31100-LHA2-M30	AC GEN ASSY	AC GEN ASSY	1	
31110		31110-LFC3-E11	FLYWHEEL COMP	FLYWHEEL COMP	1	
31110		31110-LHA2-M30	FLYWHEEL COMP	FLYWHEEL COMP	1	
31120		31120-LFC3-E10	STATOR COMP	STATOR COMP	1	
31120		31120-LHA2-M30	STATOR COMP	STATOR COMP	1	
90440		90440-1F66-C00	WASHER PLAIN 12MM	WASHER PLAIN 12MM	1	
92101		92101-05012-0H	BOLT HEX 5*12 (C)	BOLT HEX 5*12 (C)	2	
94050		94050-12080	NUT FLANGE 12MM (C)	NUT FLANGE 12MM (C)	1	
96001-06016		96001-06016-08	BOLT FLANGE SH 6*16	BOLT FLANGE SH 6*16	4	
96001-06018		96001-06018-08	BOLT FLANGE SH 6*18	BOLT FLANGE SH 6*18	4	
96001-06022		96001-06022-08	BOLT FLANGE 6*22	BOLT FLANGE 6*22	1	
96001-06025		96001-06025-08	BOLT FLANGE SH 6*25 (C)	BOLT FLANGE SH 6*25 (C)	5	



Sales mark	Ref no	Part no	Description	Reg description	Regd no	<b>E08</b>
21200		21200-LEJ8-C00	CASE COMP MISSION	CASE COMP MISSION	1	
21395		21395-LCD3-E90	GASKET MISSION CASE@A	GASKET MISSION CASE@A	1	
23411		23411-KHB4-C00	SHAFT DRIVE	SHAFT DRIVE	1	
23420		23420-LCD3-C00	SHAFT COMP COUNTER	SHAFT COMP COUNTER	1	
23431		23431-KHB4-405	SHAFT FINAL	SHAFT FINAL	1	
23432		23432-LEJ3-E10	GEAR FINAL	GEAR FINAL	1	
91003		91003-KDS4-C00	BRG BALL RADIAL 6301TMB	BRG BALL RADIAL 6301TMB	1	
91009		91009-GLE0-C00	BRG BALL RADIAL 6004 UU	BRG BALL RADIAL 6004 UU	1	
91255		91255-LDC8-E10	OIL SEAL 27*42*7 (C)	OIL SEAL 27*42*7 (C)	1	
94510		94510-20000	CIR CLIP E* 20	CIR CLIP E* 20	1	
96100		96100-60020-00	BEARING BALL RADIAL 6002	BEARING BALL RADIAL 6002	1	



Sales mark	Ref no	Part no	Description	Reg description	Regd no	<b>E09</b>
16012		16012-KEC3-C00	CHAMBER COMP FLOAT	CHAMBER COMP FLOAT	1	
16019		16019-KUDU-C00	VALVE ASSY PISTON	VALVE ASSY PISTON	1	
16035		16035-LEJ3-E10	UNIT BY-ST	UNIT BY-ST	1	
16051		16051-KEC3-C00	BODY FLOAT	BODY FLOAT	1	
16053		16053-KEC3-C00	PIN FLOAT	PIN FLOAT	1	
16068		16068-KEC3-C00	PLATE WIRE FIXED	PLATE WIRE FIXED	1	
16069		16069-KEC3-C00	COVER PISTON VALVE DIAPHRAGM	COVER PISTON VALVE DIAPHRAGM	1	
16074		16074-KEC3-C00	WASHER IDLE ADJUIST SCERW	WASHER IDLE ADJUIST SCERW	1	
16079		16079-LEJ2-E10	NEEDLE ASSY JET	NEEDLE ASSY JET	1	
16087		16087-KEC3-C00	TUBE EMULSION	TUBE EMULSION	1	
16088		16088-KEC3-900	JET NEEDLE	JET NEEDLE	1	
16093		16093-5098-000	JET MAIN	JET MAIN	1	
16095		16095-KEC3-900	JET SLOW	JET SLOW	1	
16100		16100-LFC4-E10	CARBURETOR ASSY	CARBURETOR ASSY	1	
16100		16100-LFC4-E11	CARBURETOR ASSY	CARBURETOR ASSY	1	
16111		16111-KEC3-C00	STOPPER JET NEEDLE SPG	STOPPER JET NEEDLE SPG	1	
16122		16122-KEC3-C00	O-RING IDLE SCREW	O-RING IDLE SCREW	1	
16124		16124-KEC3-C00	TUBE COMPL 3.5*300	TUBE COMPL 3.5*300	1	
16131		16131-KEC3-C00	SPRING VACUUM PISTON	SPRING VACUUM PISTON	1	
16132		16132-KEC3-C00	SPRING JET NEEDLE	SPRING JET NEEDLE	1	

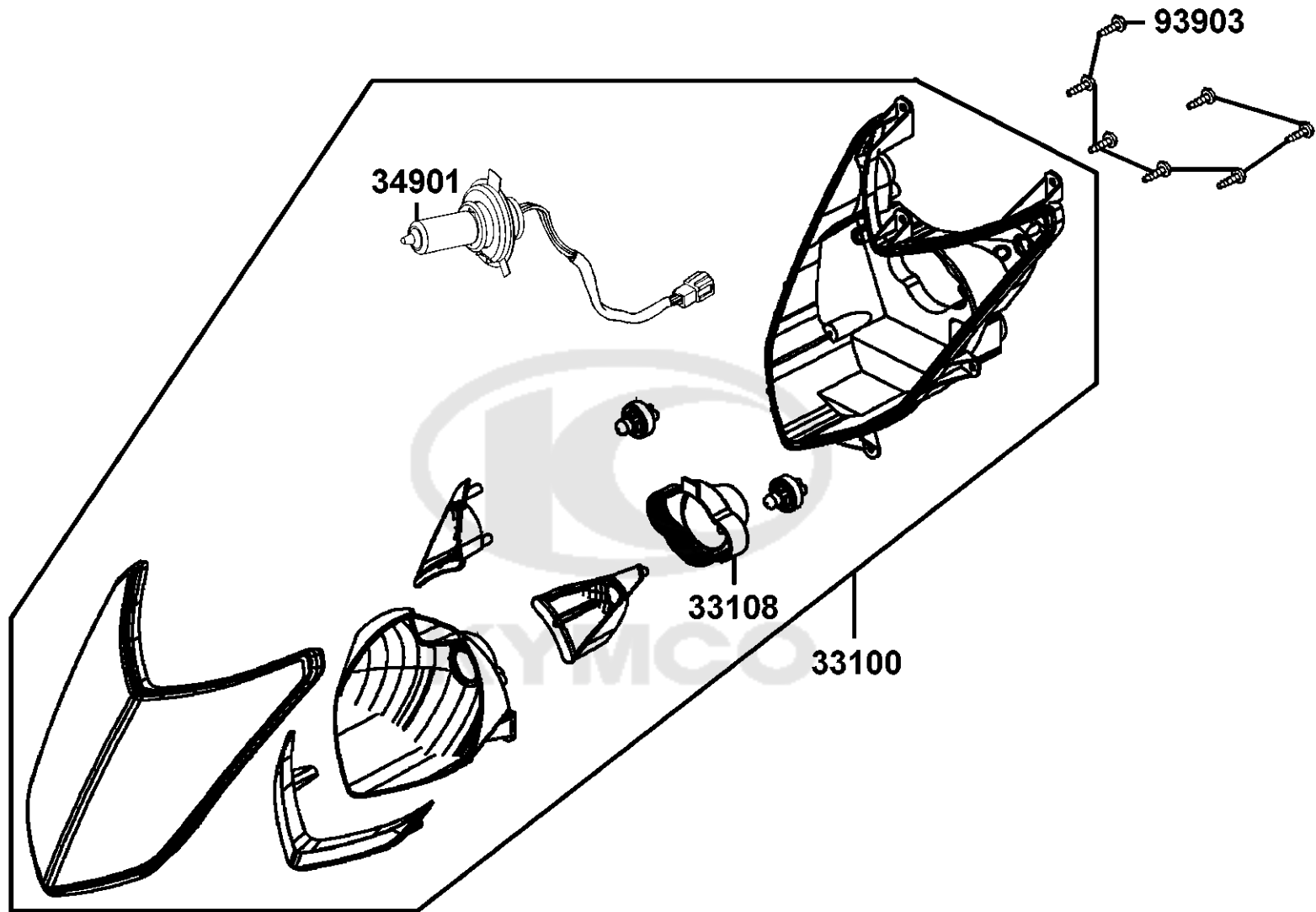



Sales mark	Ref no	Part no	Description	Reg description	Regd no	<b>E09</b>
16133		16133-KEC3-900	SPG THROTTLE ADJ SCREW	SPG THROTTLE ADJ SCREW	1	
16134		16134-KEC3-900	SPG THROTTLE RETUR	SPG THROTTLE RETUR	1	
16138		16138-KEC3-C00	SPG IDLE ADJ SCREW	SPG IDLE ADJ SCREW	1	
16142		16142-KEC3-C00	COVER ACV	COVER ACV	1	
16154		16154-KEC3-C00	SCREW IDEL ADJUST	SCREW IDEL ADJUST	1	
16165		16165-KEC3-C00	DIAPHRAGM COMP	DIAPHRAGM COMP	1	
16170		16170-KEC3-900	SCREW THROTTLE ADJUST	SCREW THROTTLE ADJUST	1	
16180		16180-KEC3-C00	PLATE WIRE FIXED	PLATE WIRE FIXED	1	
16183		16183-KEC3-C00	VALVE COMPL.FLOAT	VALVE COMPL.FLOAT	1	
16196		16196-KKC8-500	PLATE	PLATE	1	
34300		34300-KKE3-900	THROTTLE POSITION SENSOR	THROTTLE POSITION SENSOR	1	
93500-04010		93500-04010-08	SCREW PAN 4*10	SCREW PAN 4*10	4	
93500-04014		93500-04014-1A	SCREW PAN 4*14(B)	SCREW PAN 4*14(B)	4	
93891		93891-05016-08	SCREW WASHER 5*16 (K)	SCREW WASHER 5*16 (K)	1	
93892		93892-04008-18	SCREW WASHER	SCREW WASHER	5	
94111		94111-06800	WASHER PLAIN 6MM	WASHER PLAIN 6MM	1	
94591		94591-25000	CLIP BIND	CLIP BIND	1	
9500A		9500A-35185-20	TUBE ASSY FUEL	TUBE ASSY FUEL	1	



F01

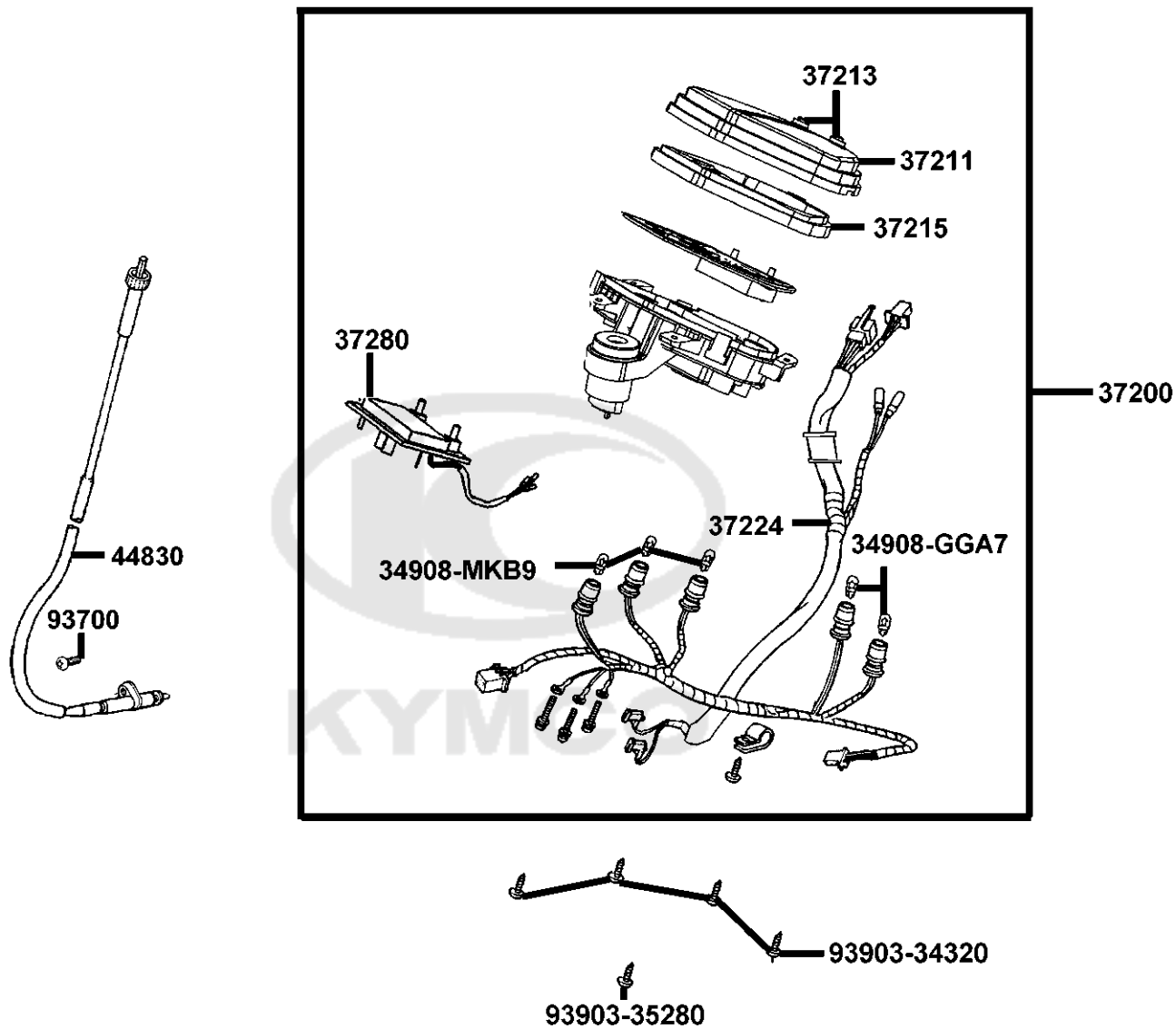
Head Light



Sales mark	Ref no	Part no	Description	Reg description	Regd no	<b>F01</b>
	33100	33100-LFC3-E12	LIGHT ASSY HEAD	LIGHT ASSY HEAD	1	
	33108	33108-LFC2-E10	SOCKET COMP HEAD LIGHT	SOCKET COMP HEAD LIGHT	1	
	34901	34901-LDC8-E10	BULB HEAD LIGHT	BULB HEAD LIGHT	1	
	93903	93903-35220	SCREW TAPPING 5*12	SCREW TAPPING 5*12	7	
						

F02

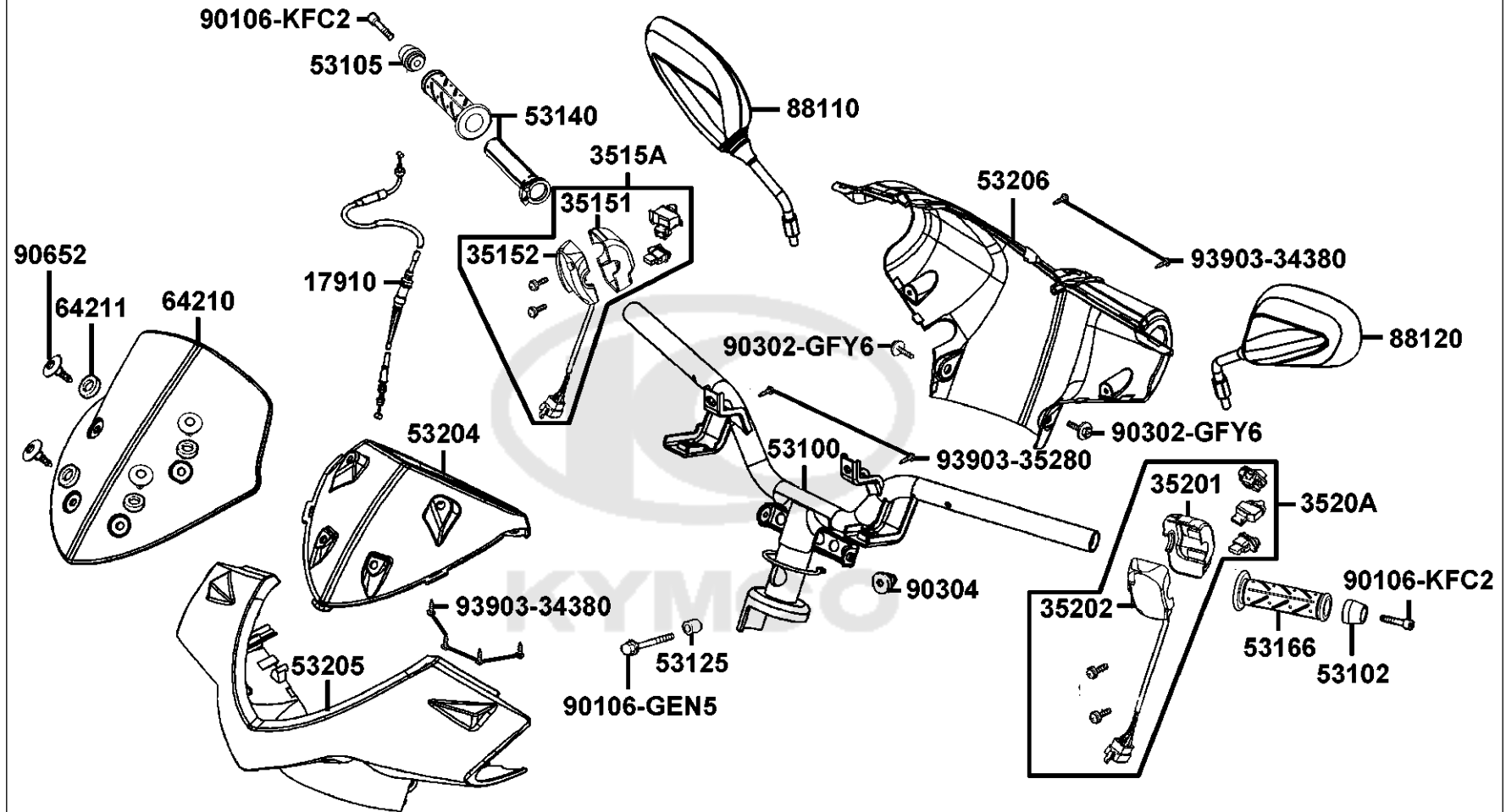
Speedometer



Sales mark	Ref no	Part no	Description	Reg description	Regd no	F02
	34908-GGA7	34908-GGA7-C00	"BULB,WEDGE BASE T10"	"BULB,WEDGE BASE T10"	1	
	34908-MKB9	34908-MKB9-C00	BULB WEDGE BASE T10	BULB WEDGE BASE T10	1	
	37200	37200-LFC3-E12	METER ASSY SPEED	METER ASSY SPEED	1	
	37211	37211-LFC2-E10	LENS COMP METER	LENS COMP METER	1	
	37213	37213-LFC2-E10	"BUTTON,ADJEST"	"BUTTON,ADJEST"	2	
	37215	37215-LFC2-E10	"PLATE,COSMETIC"	"PLATE,COSMETIC"	1	
	37224	37224-LFC2-E10	SOCKET COMP METER	SOCKET COMP METER	1	
	37280	37280-LEJ2-E0A	LCD ASSY (LOCK)/XD	LCD ASSY (LOCK)/XD	1	
	44830	44830-LCD3-C00	CABLE COMP SPDMT	CABLE COMP SPDMT	1	
	93700	93700-05018-0H	SCREW OVAL 5*18	SCREW OVAL 5*18	1	
	93903-34320	93903-34320	SCREW TAPPING 5*16 (C)	SCREW TAPPING 5*16 (C)	4	
	93903-35280	93903-35280	SCREW TAPPING 5*12 (K)	SCREW TAPPING 5*12 (K)	1	

F03

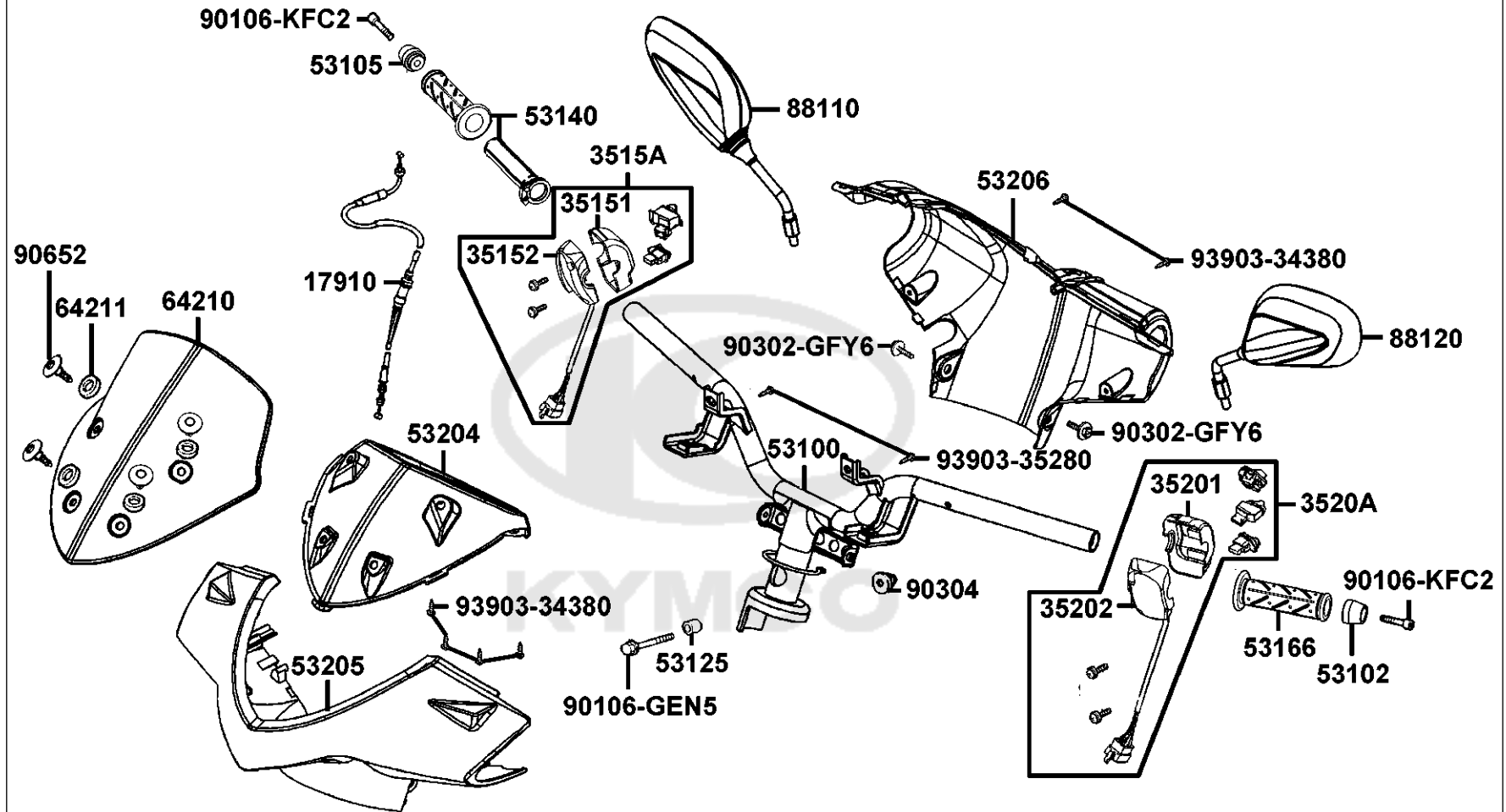
# Handle Steering Handle Cover



Sales mark	Ref no	Part no	Description	Reg description	Regd no	F03
	17910	17910-KHD8-C00	CABLE COMP THROT	CABLE COMP THROT	1	
	35151	35151-LGB5-E10	FR CASE RH HNDL COMP SW	FR CASE RH HNDL COMP SW	1	
	35152	35152-KGBG-C00	RR CASE RH HNDL COMP SW	RR CASE RH HNDL COMP SW	1	
	3515A	3515A-LGB5-E10	SW ASSY RH HANDLE COMP	SW ASSY RH HANDLE COMP	1	
	3515A	3515A-LGB5-EV0	SW ASSY R HANDLE COMP	SW ASSY R HANDLE COMP	1	
	35201	35201-LGB5-E10	FR CASE LH HNDL COMP SW	FR CASE LH HNDL COMP SW	1	
	35202	35202-KGBG-900	RR CASE LH HNDL SW COMP	RR CASE LH HNDL SW COMP	1	
	3520A	3520A-LGB5-E11	SW ASSY LH HANDLE COMP	SW ASSY LH HANDLE COMP	1	
	53100	53100-LFC3-E10	"HANDLE COMP.,STRG"	"HANDLE COMP.,STRG"	1	
	53102	53102-LFC3-E10	END HANDLE	END HANDLE	1	
	53105	53105-LFC3-E10	END R HANDLE	END R HANDLE	1	
	53125	53125-GEN5-C00	COLLAR HANDLE SET	COLLAR HANDLE SET	1	
	53140	53140-LEJ2-E10	GRIP COMP THROT	GRIP COMP THROT	1	
	53166	53166-LEJ2-E10	GRIP L HANDLE	GRIP L HANDLE	1	
**	53204	53204-LFC2-E10	COVER METER	COVER METER	1	
**	53205	53205-LFC2-E10	COVER HANDLE FR	COVER HANDLE FR	1	
**	53206	53206-LFC2-E10	COVER HANDLE RR	COVER HANDLE RR	1	
	64210	64210-LFC2-E10	ASSY METER VISOR	ASSY METER VISOR	1	
	64211	64211-LFC2-E10	SPONGE VISOR	SPONGE VISOR	4	
**		88110-LEB5-C10	MIRROR ASSY R BACK	MIRROR ASSY R BACK	1	

F03

# Handle Steering Handle Cover

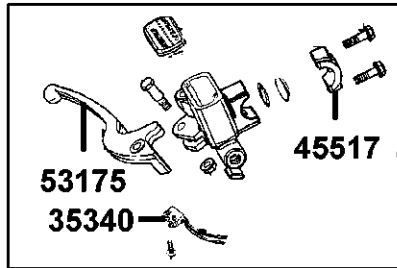


Sales mark	Ref no	Part no	Description	Reg description	Regd no	F03
**	88110	88110-LEB5-C11	MIRROR ASSY R BACK	MIRROR ASSY R BACK	1	
**		88120-LEB5-C10	MIRROR ASSY L BACK	MIRROR ASSY L BACK	1	
**	88120	88120-LEB5-C11	MIRROR ASSY L BACK	MIRROR ASSY L BACK	1	
	90106-GEN5	90106-GEN5-901	BOLT FLANGE 10*50	BOLT FLANGE 10*50	1	
	90106-KFC2	90106-KFC2-900	"BOLT-WASH.,8MM"	"BOLT-WASH.,8MM"	2	
	90302	90302-GFY6-C10	BOLT-WASH 5*16	BOLT-WASH 5*16	1	
	90302	90302-LLB1-C00	BOLT-WASH 5*12	BOLT-WASH 5*12	1	
	90302	90302-LLB1-C01	BOLT-WASH 5*12	BOLT-WASH 5*12	1	
	90304	90304-GHE8-C00	NUT U 10MM (C)	NUT U 10MM (C)	1	
	90652	90652-LCA4-C10	CLIP MUDGUARD	CLIP MUDGUARD	1	
	93903-34380	93903-34380	SCREW TAPPING 4*12 (K)	SCREW TAPPING 4*12 (K)	6	
	93903-35280	93903-35280	SCREW TAPPING 5*12 (K)	SCREW TAPPING 5*12 (K)	2	



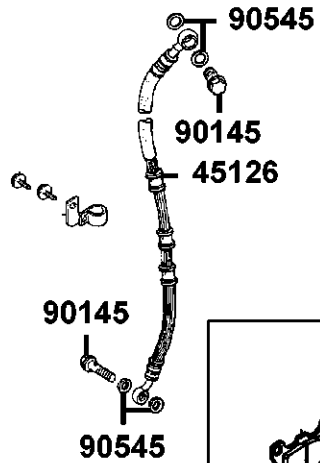
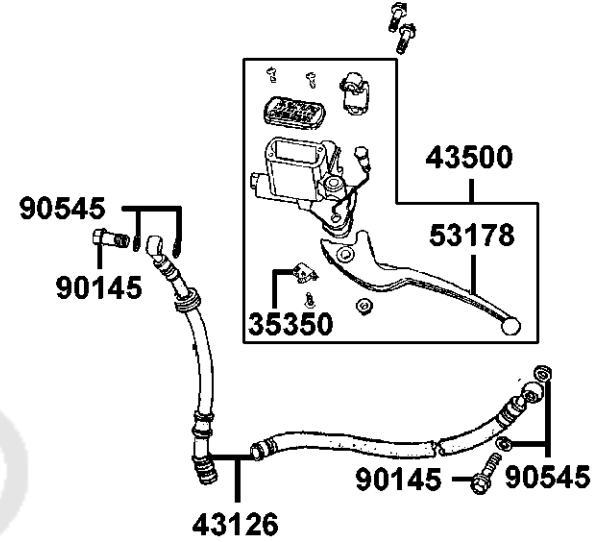
F04

# Brake Master Cylinder

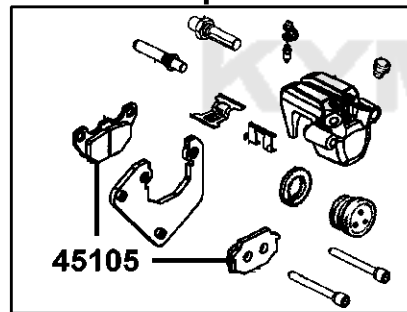


45517 — 4550A

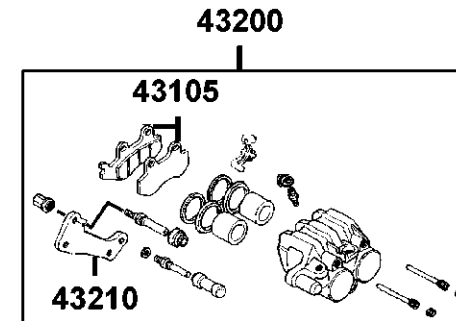
90131-GLW0



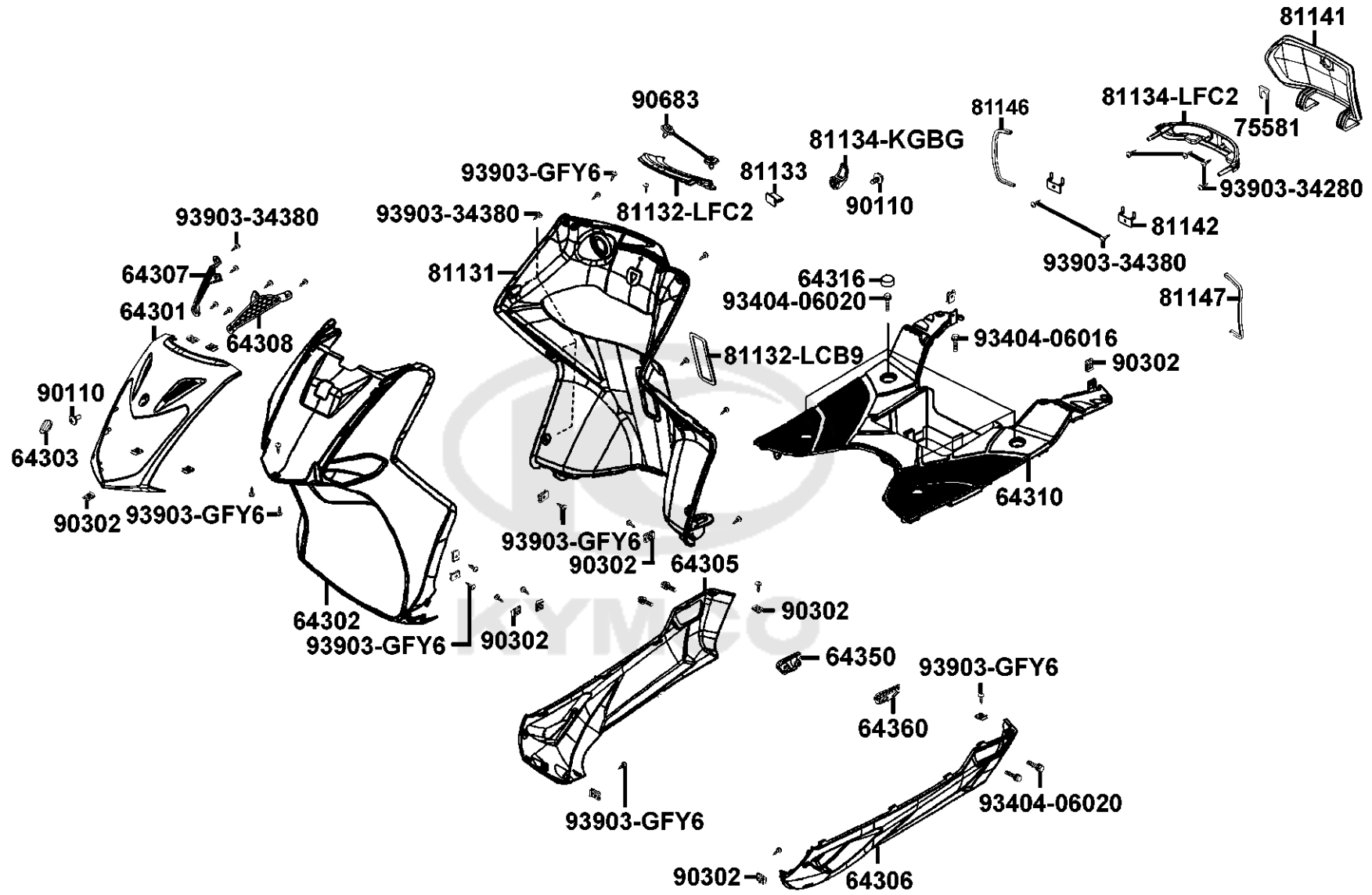
45200



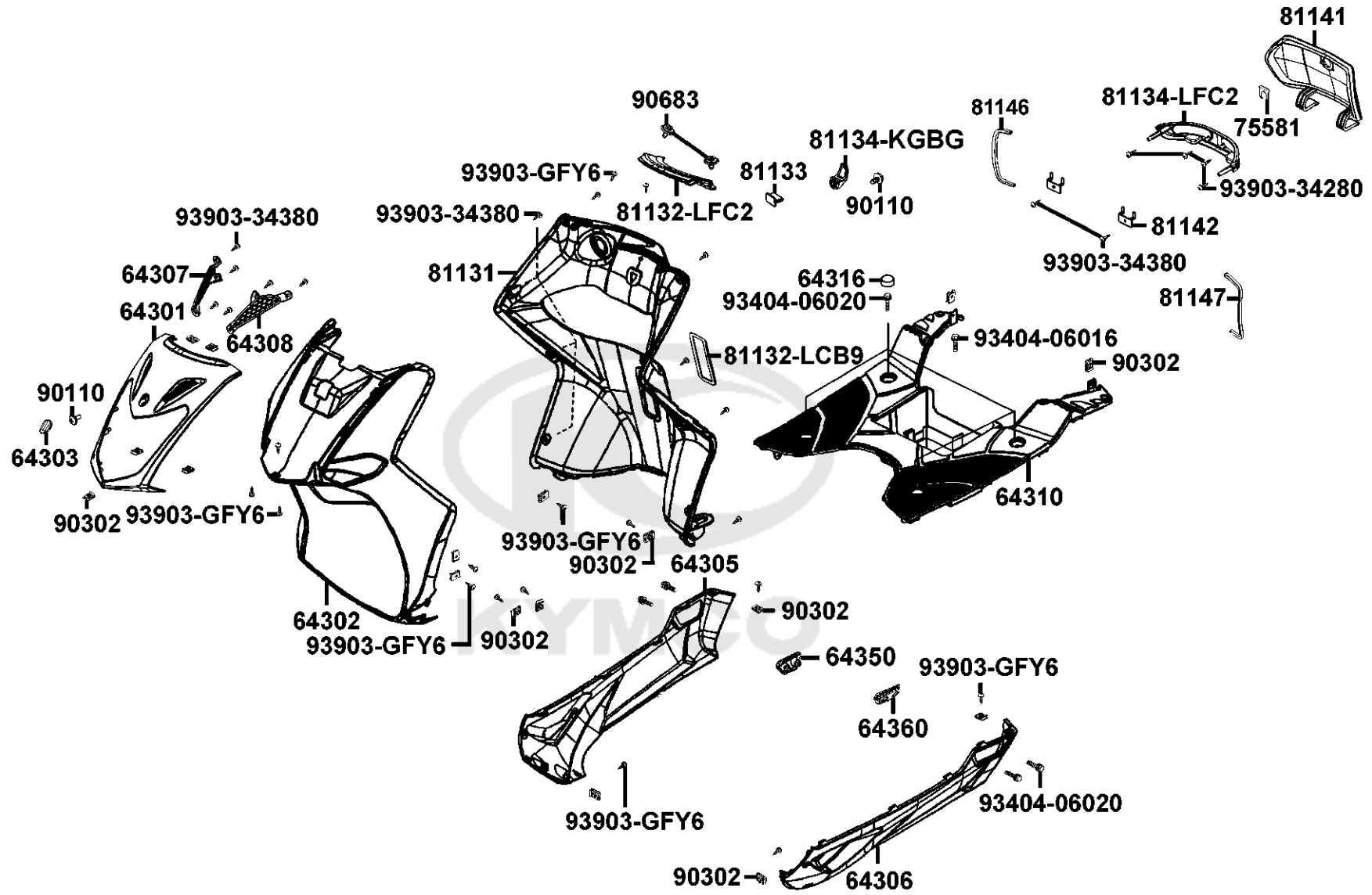
90131-KFAF



Sales mark	Ref no	Part no	Description	Reg description	Regd no	F04
	35340	35340-KNBN-C00	SW ASSY FR STOP	SW ASSY FR STOP	1	
	35350	35350-KNBN-C00	SW ASSY RR STOP	SW ASSY RR STOP	1	
	43105	43105-LFC4-305	PAD COMP A AND B	PAD COMP A AND B	1	
	43126	43126-LFC4-E1A	HOSE ASSY RR BRK	HOSE ASSY RR BRK	1	
**	43200	43200-LFC4-E10	CALIPER ASSY RR	CALIPER ASSY RR	1	
	43210	43210-LFC4-E10	BRACKET COMP RR	BRACKET COMP RR	1	
	43500	43500-LFC3-E10	M/C ASY RR BRK	M/C ASY RR BRK	1	
	45105	45105-LEJ2-306	PAD COMP A AND B	PAD COMP A AND B	1	
	45126	45126-LEJ2-E10	HOSE ASSY FR BRK	HOSE ASSY FR BRK	1	
	45200	45200-LFC2-E10	CALIPER ASSY FR BRK	CALIPER ASSY FR BRK	1	
	4550A	4550A-LFC2-E1A	M/C ASSY FR	M/C ASSY FR	1	
	45517	45517-KFAF-910	HOLDER M/C	HOLDER M/C	1	
	53175	53175-KTCT-C00	LEVER R STRG HNDL	LEVER R STRG HNDL	1	
**	53178	53178-KNBN-C00	LEVER L STRG HANDLE	LEVER L STRG HANDLE	1	
	90131-GLW0	90131-GLW0-C00	BOLT FLANGE 8*35	BOLT FLANGE 8*35	1	
	90131-KFAF	90131-KFAF-C00	BOLT FLANGE 8*42	BOLT FLANGE 8*42	1	
	90145	90145-9A61-C00	OIL BOLT 10*22	OIL BOLT 10*22	1	
	90545	90545-3L00-C00	WASHER OIL BOLT	WASHER OIL BOLT	1	



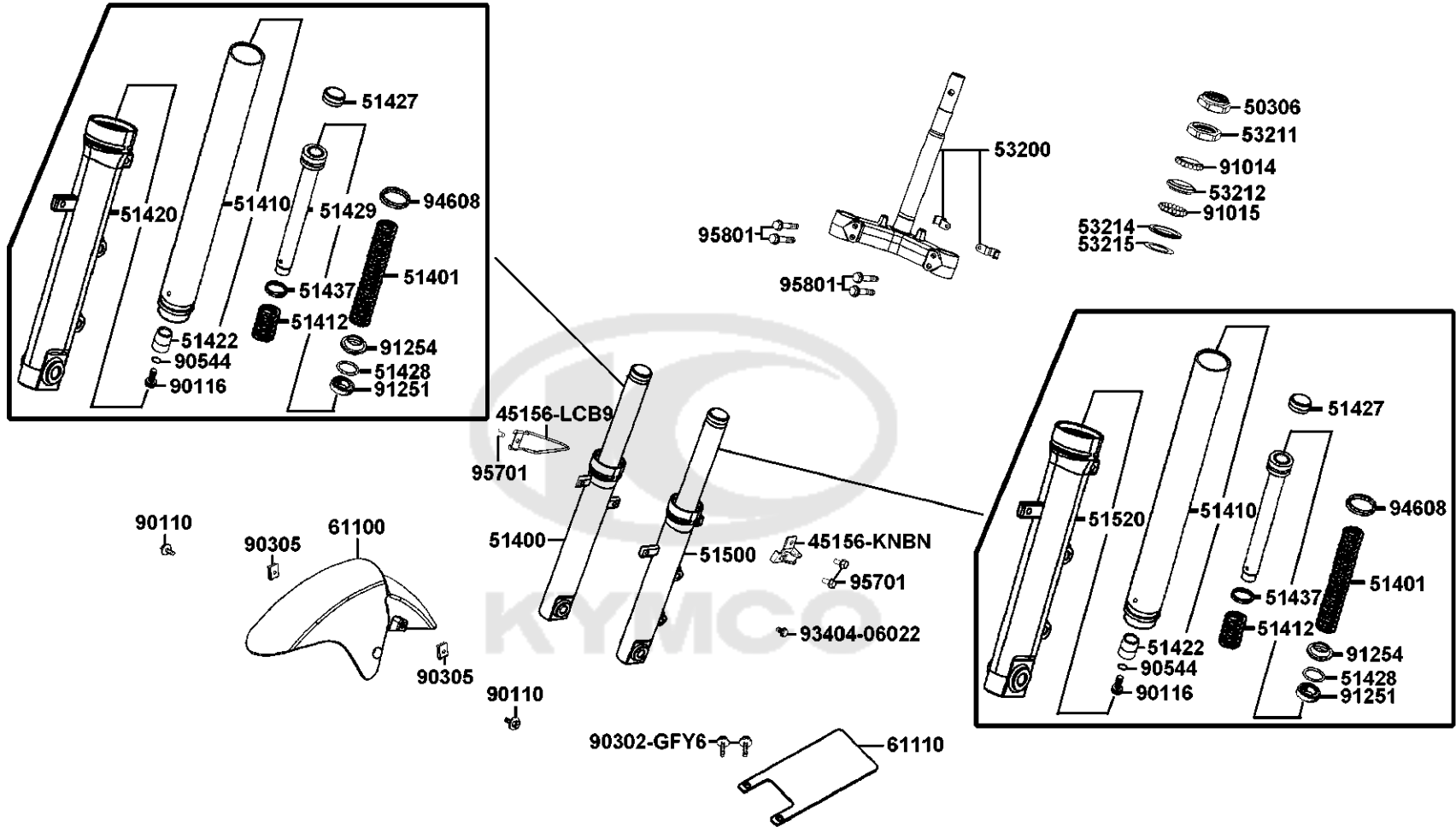
Sales mark	Ref no	Part no	Description	Reg description	Regd no	F05
**	64301	64301-LFC2-E10	"COVER, FRONT"	"COVER, FRONT"	1	
**	64302	64302-LFC2-E10	MOLD FRONT	MOLD FRONT	1	
**	64303	64303-LFC2-E10	CAP FR COVER	CAP FR COVER	1	
**	64305	64305-LFC2-E10	SKIRT R SIDE	SKIRT R SIDE	1	
**	64306	64306-LFC2-E10	SKIRT L SIDE	SKIRT L SIDE	1	
**	64307	64307-LFC2-E10	GRILLE R FR MOLDING	GRILLE R FR MOLDING	1	
**	64308	64308-LFC2-E10	GRILLE L FR MOLDING	GRILLE L FR MOLDING	1	
**	64310	64310-LFC2-E11	FLOOR PANEL	FLOOR PANEL	1	
**	64316	64316-LCB9-C10	PLUG FLOOR	PLUG FLOOR	4	
	64350	64350-LFC2-E11	COVER R STEP	COVER R STEP	1	
	64360	64360-LFC2-E11	COVER L STEP	COVER L STEP	1	
	75581	75581-6C73-C00	SET SPG LOCK KET(43°C)	SET SPG LOCK KET(43°C)	1	
**	81131	81131-LFC2-E10	LEG SHIELD	LEG SHIELD	1	
**	81132-LCB9	81132-LCB9-C10	LID LEG SHIELD	LID LEG SHIELD	1	
**	81132-LFC2	81132-LFC2-E10	CAP LEG SHIELD UP	CAP LEG SHIELD UP	1	
	81133	81133-KNBN-C00	STOPPER LUGGAGE	STOPPER LUGGAGE	1	
	81134-KGBG	81134-KGBG-C00	HOOK LUGGAGE	HOOK LUGGAGE	1	
**	81134-LFC2	81134-LFC2-E10	PLATE INNER BOX	PLATE INNER BOX	1	
**	81141	81141-LFC2-E10	LID INNER BOX	LID INNER BOX	1	
	81142	81142-KFA6-C00	STAY LID INNER BOX	STAY LID INNER BOX	1	



Sales mark	Ref no	Part no	Description	Reg description	Regd no	<b>F05</b>
81146		81146-LFC2-E10	SEAL A LID INNER BOX	SEAL A LID INNER BOX	1	
81147		81147-LFC2-E10	SEAL B LID INNER BOX	SEAL B LID INNER BOX	1	
90110		90110-GLW0-C00	SCREW SPECIAL 6*14(CR)	SCREW SPECIAL 6*14(CR)	1	
90302		90302-SDA4-C00	NUT SPRING 4MM	NUT SPRING 4MM	1	
90302		90302-SDA4-C01	NUT SPRING 4MM	NUT SPRING 4MM	1	
90683		90683-GAR1-C00	CLIP BODY COVER	CLIP BODY COVER	1	
93404-06016		93404-06016-07	BOLT WASHER 6*16 (K)	BOLT WASHER 6*16 (K)	1	
93404-06020		93404-06020-07	BOLT WASH 6*20 (K)	BOLT WASH 6*20 (K)	4	
93903-34280		93903-34280	SCREW TAPPING 4*10	SCREW TAPPING 4*10	4	
93903-34380		93903-34380	SCREW TAPPING 4*12 (K)	SCREW TAPPING 4*12 (K)	16	
93903-GFY6		93903-GFY6-C00	SCREW TAPPING 4*14	SCREW TAPPING 4*14	1	
93903-GFY6		93903-GFY6-C01	SCREW TAPPING 4*14(K)	SCREW TAPPING 4*14(K)	1	

F06

# Stem Steering Front Cushion

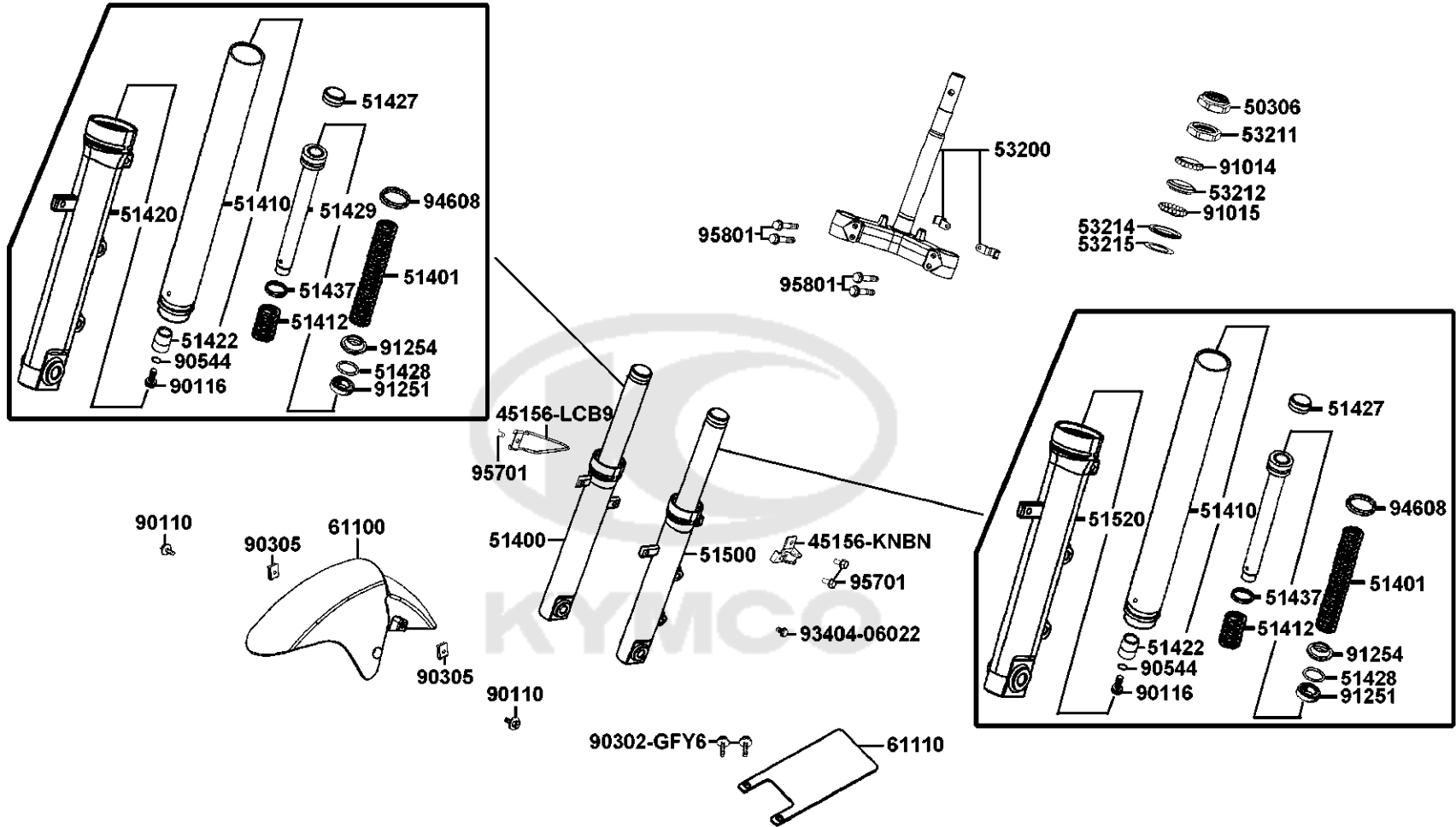


Sales mark	Ref no	Part no	Description	Reg description	Regd no	F06
	45156-KNBN	45156-KNBN-C00	CLAMPER FR BRAKE HOSE	CLAMPER FR BRAKE HOSE	1	
	45156-LCB9	45156-LCB9-B20	CLAMPER FR SPDMT CABLE ()	CLAMPER FR SPDMT CABLE ()	1	
	50306	50306-1F96-C00	NUT STRG STEM LOCK	NUT STRG STEM LOCK	1	
**	51400	51400-LFC2-E80	FORK ASSY R FR	FORK ASSY R FR	1	
	51401	51401-LEJ2-E10	SPRING	SPRING	1	
	51410	51410-LEJ2-E10	FORK PIPE COMP	FORK PIPE COMP	1	
	51412	51412-LEJ2-E10	REBOUND SPRING	REBOUND SPRING	1	
	51420	51420-LFC2-E10	BOTTOM CASE RH	BOTTOM CASE RH	1	
	51422	51422-LEJ2-E10	OIL LOCK PIECE	OIL LOCK PIECE	1	
	51427	51427-LEJ2-E10	FORK BOLT	FORK BOLT	1	
	51428	51428-LEJ2-E10	OIL SEAL STOPPER	OIL SEAL STOPPER	1	
	51429	51429-LFC3-E10	PIPE SEAT	PIPE SEAT	1	
	51437	51437-LEJ2-E10	PISTON RING	PISTON RING	1	
**	51500	51500-LFC2-E80	FORK ASSY L FR	FORK ASSY L FR	1	
	51520	51520-LFC2-E10	BOTTOM CASE L	BOTTOM CASE L	1	
	53200	53200-LFC2-E10	STEM COMP STRG	STEM COMP STRG	1	
	53211	53211-GFY6-C00	RACE STRG TOP CONE	RACE STRG TOP CONE	1	
	53212	53212-2L50-C00	RACE (STRG BOTTOM) CONE	RACE (STRG BOTTOM) CONE	1	
	53214	53214-2L50-C00	DUST SEAL STRG (HEAD)	DUST SEAL STRG (HEAD)	1	
	53215	53215-2L50-C00	WASH STRG HDL DUST-SEAL	WASH STRG HDL DUST-SEAL	1	



F06

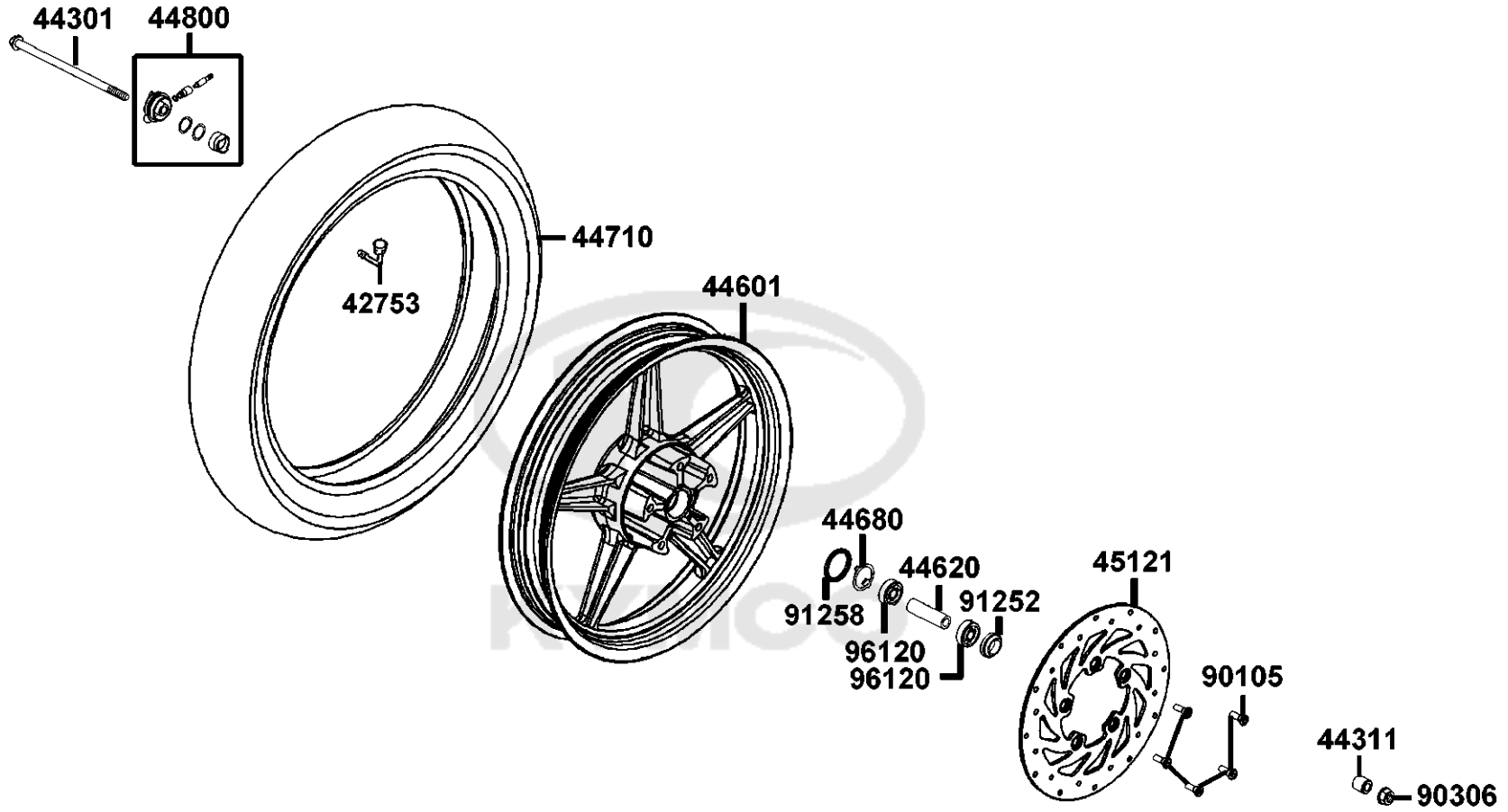
# Stem Steering Front Cushion



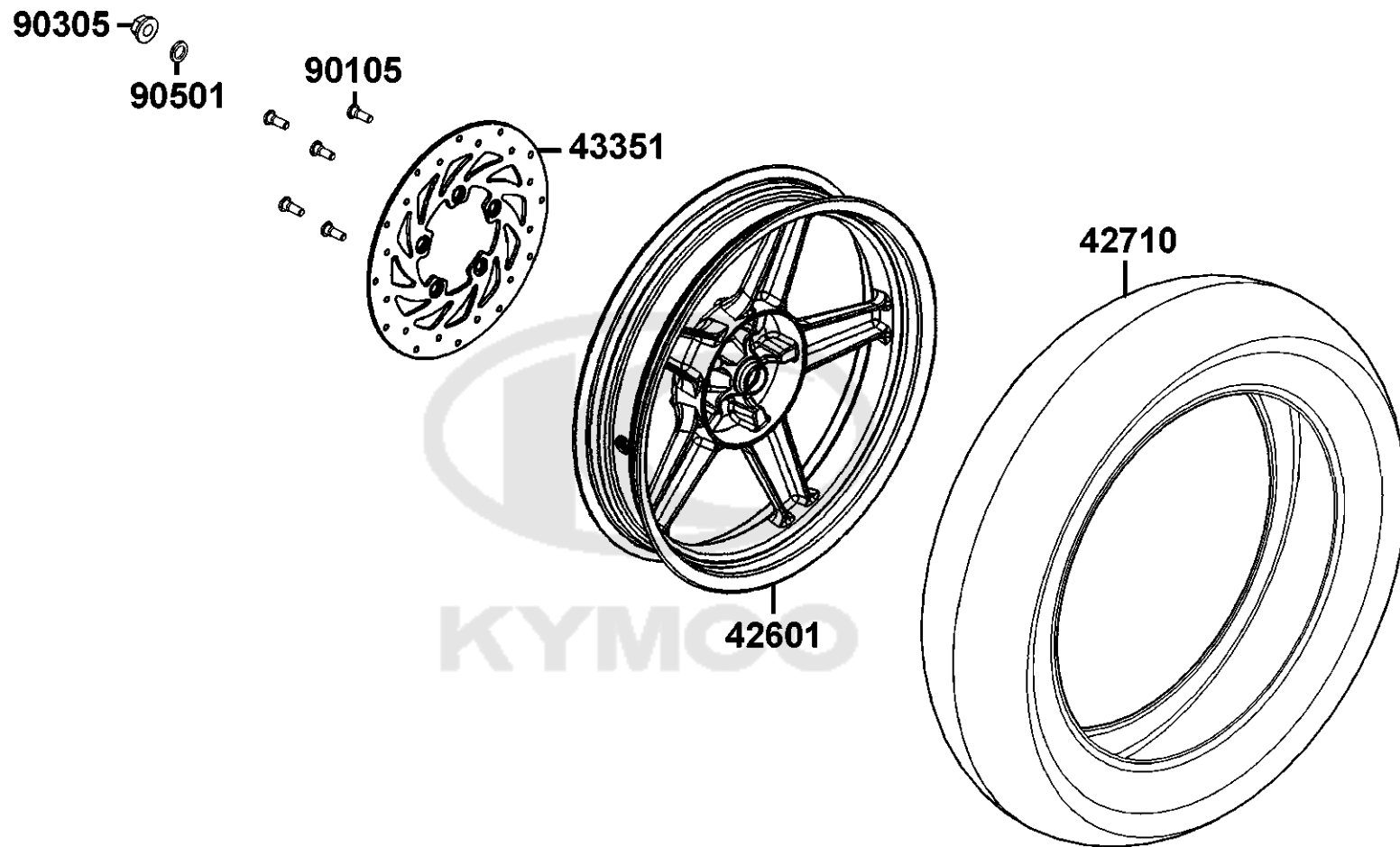
Sales mark	Ref no	Part no	Description	Reg description	Regd no	F06
**	61100	61100-LFC2-E10	FENDER FR	FENDER FR	1	
	61110	61110-LFC2-E10	"PLATE,INNER FENDER SPLASH GUARD"	"PLATE,INNER FENDER SPLASH GUARD"	1	
	90110	90110-KEB7-C00	SCREW SPECIAL 6*14	SCREW SPECIAL 6*14	1	
	90116	90116-LEJ2-E10	BOLT	BOLT	1	
	90302	90302-GFY6-C10	BOLT-WASH 5*16	BOLT-WASH 5*16	1	
	90305	90305-GHK8-C00	NUT U 16MM(C)	NUT U 16MM(C)	1	
	90544	90544-LEJ2-E10	PACKINGCUB	PACKINGCUB	1	
	91014	91014-LLJ3-C00	CAGE STRG TOPP	CAGE STRG TOPP	1	
	91015	91015-LLJ3-C00	CAGE STRG BOT	CAGE STRG BOT	1	
	91251	91251-LEJ2-E10	OIL SEAL	OIL SEAL	1	
	91254	91254-LEJ2-E10	DUST SEAL	DUST SEAL	1	
	93404	93404-06022-07	BOLT WASH 6*22 (K)	BOLT WASH 6*22 (K)	2	
	94608	94608-LEJ2-E10	O-RING B	O-RING B	1	
	95701	95701-06012-08	BOLT FLANGE 6*12	BOLT FLANGE 6*12	3	
	95801	95801-08040-08	BOLT FLANGE 8*40 (C)	BOLT FLANGE 8*40 (C)	4	

F07

Front Wheel



Sales mark	Ref no	Part no	Description	Reg description	Regd no	F07
	42753	42753-0A01-C00	VALVE (TR 412) & CAP (C)	VALVE (TR 412) & CAP (C)	1	
	44301	44301-LEJ2-E10	AXLE FR WHEEL	AXLE FR WHEEL	1	
	44301	44301-LEJ2-E12	AXLE FR WHEEL 12*243(C)	AXLE FR WHEEL 12*243(C)	1	
	44311	44311-LFC2-E10	COLLAR FR WHEEL SIDE	COLLAR FR WHEEL SIDE	1	
**	44601	44601-LFC2-E10	WHEEL CAST FR	WHEEL CAST FR	1	
	44620	44620-KFLF-C00	COLLAR FR DIST	COLLAR FR DIST	1	
	44680	44680-4L10-C00	RETAINER GEAR BOX	RETAINER GEAR BOX	1	
	44710	44710-LFC4-E91	TIRE FR	TIRE FR	1	
	44800	44800-LKD1-E10	GEAR BOX ASSY SPDMT	GEAR BOX ASSY SPDMT	1	
	45121	45121-LFC2-E80	DISK FR BRK	DISK FR BRK	1	
	90105	90105-KCR3-001	BOLT FR DISK 8*24	BOLT FR DISK 8*24	5	
	90306	90306-KLF0-C00	NUT FLANGE 12MM	NUT FLANGE 12MM	1	
	91252	91252-0L30-004	OIL SEAL 23*37*7	OIL SEAL 23*37*7	1	
	91252	91252-0L30-C00	OIL SEAL 23*37*7	OIL SEAL 23*37*7	1	
	91258	91258-4L10-007	DUST SEAL 40*50*5	DUST SEAL 40*50*5	1	
	96120	96120-63010-10	BEARING BALL RADIAL 6301	BEARING BALL RADIAL 6301	2	

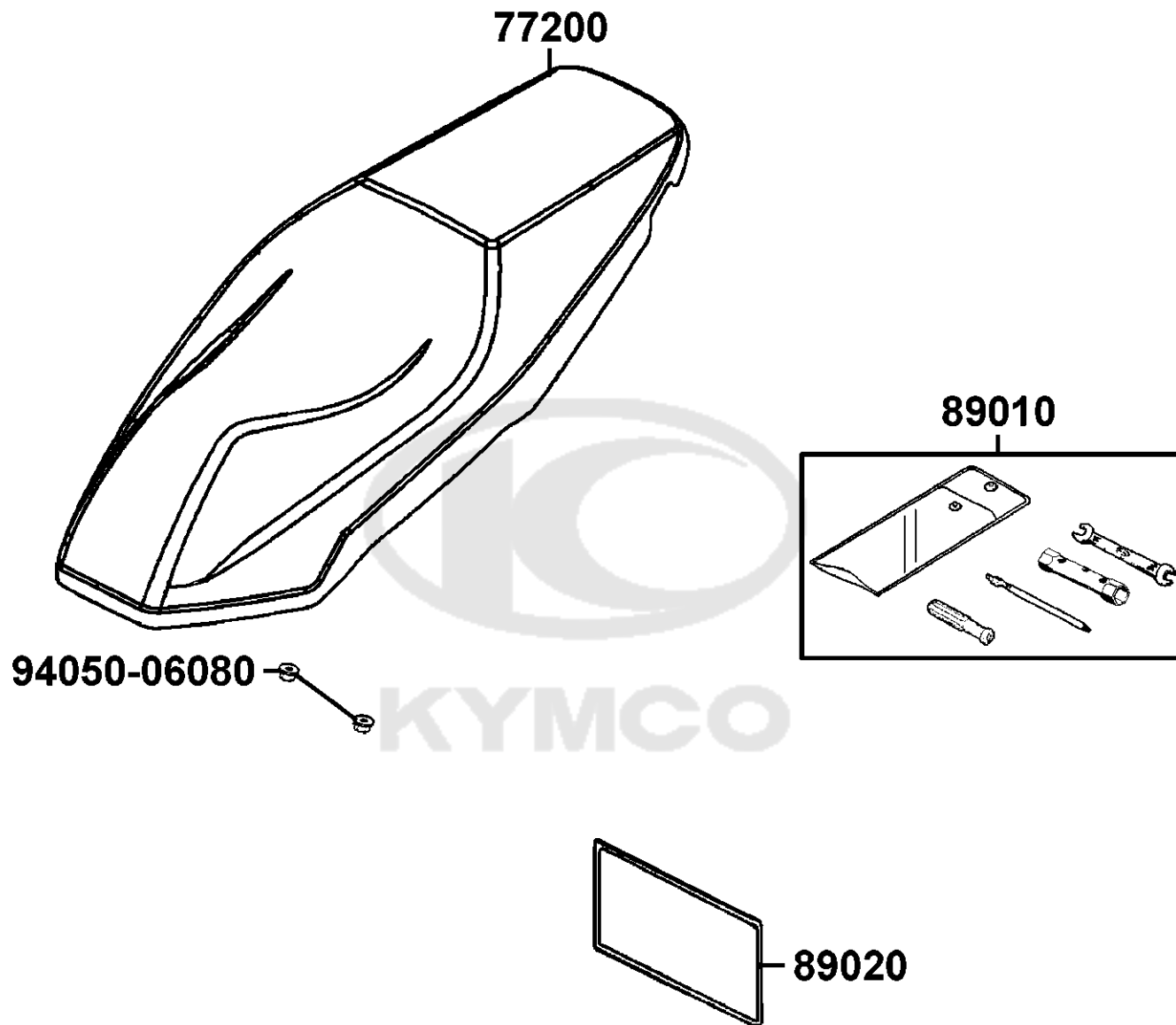


Sales mark	Ref no	Part no	Description	Reg description	Regd no	<b>F08</b>
**	42601	42601-LFC3-E10	WHEEL COMP RR CAST	WHEEL COMP RR CAST	1	
	42710	42710-LFC4-E91	TIRE ASSY RR	TIRE ASSY RR	1	
	43351	43351-LFC3-E80	DISK RR BRK	DISK RR BRK	1	
	90105	90105-KCR3-001	BOLT FR DISK 8*24	BOLT FR DISK 8*24	1	
	90305	90305-KNBN-C00	NUT U 16MM(C)	NUT U 16MM(C)	1	
	90501	90501-KNBN-C00	WASHER 16MM	WASHER 16MM	1	



F09

Seat

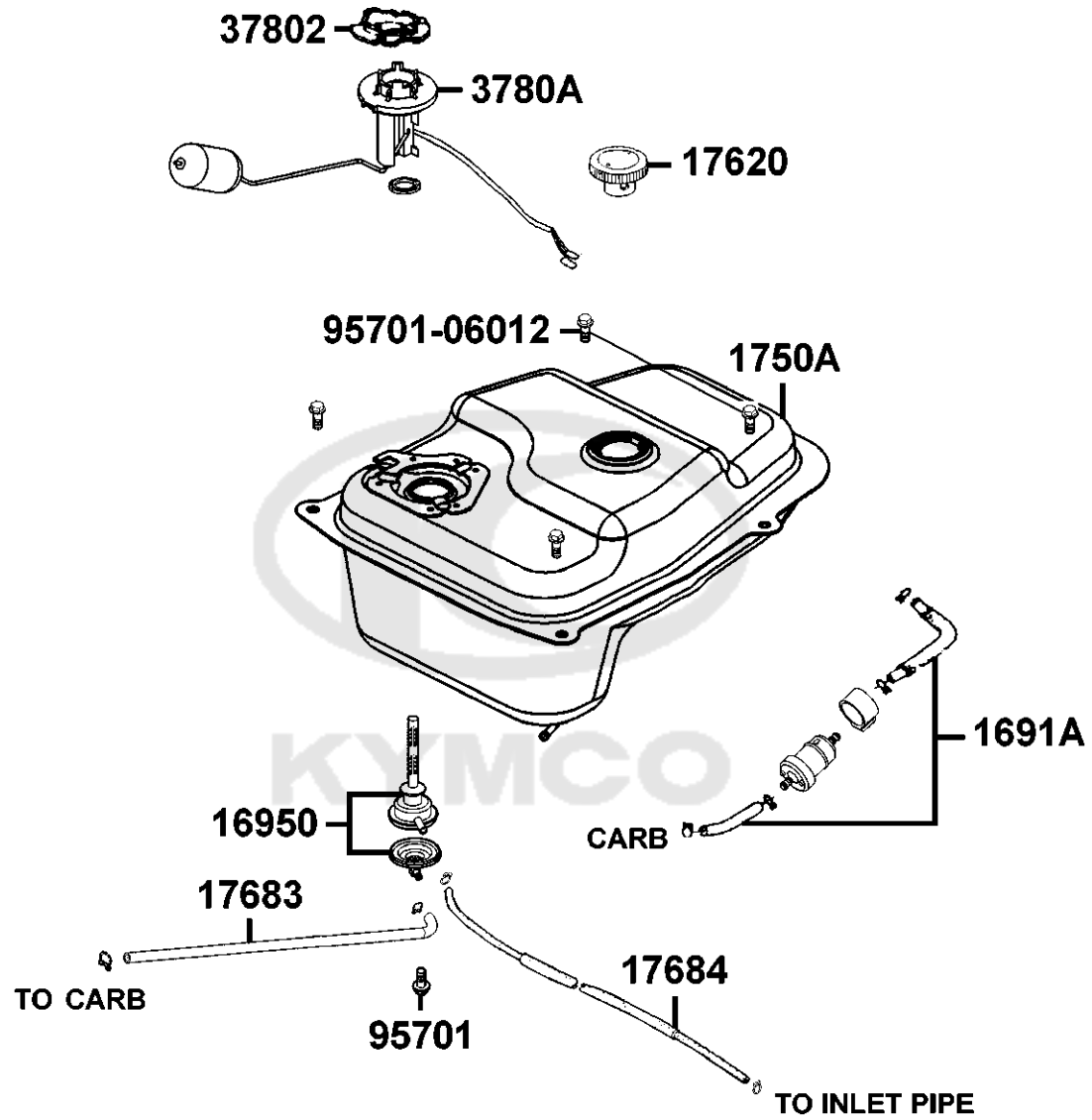


Sales mark	Ref no	Part no	Description	Reg description	Regd no	<b>F09</b>
------------	--------	---------	-------------	-----------------	---------	------------

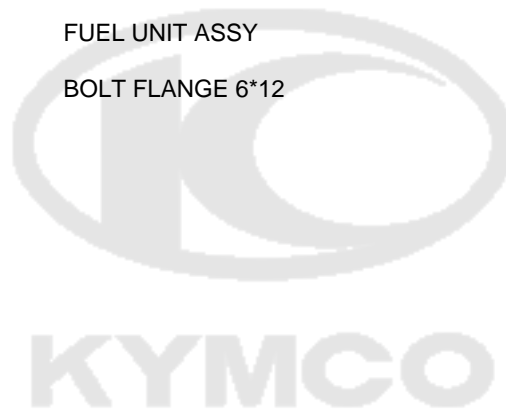
**	77200	77200-LFC3-E12	SEAT ASSY	SEAT ASSY	1	
	89010	89010-KGBG-C00	TOOL SET	TOOL SET	1	
	89020	89020-KKC4-900	BAND TOOL SET	BAND TOOL SET	1	
	89020	89020-KKC4-C00	BAND TOOL SET	BAND TOOL SET	1	
	94050	94050-06080	NUT FLANGE 6MM	NUT FLANGE 6MM	2	





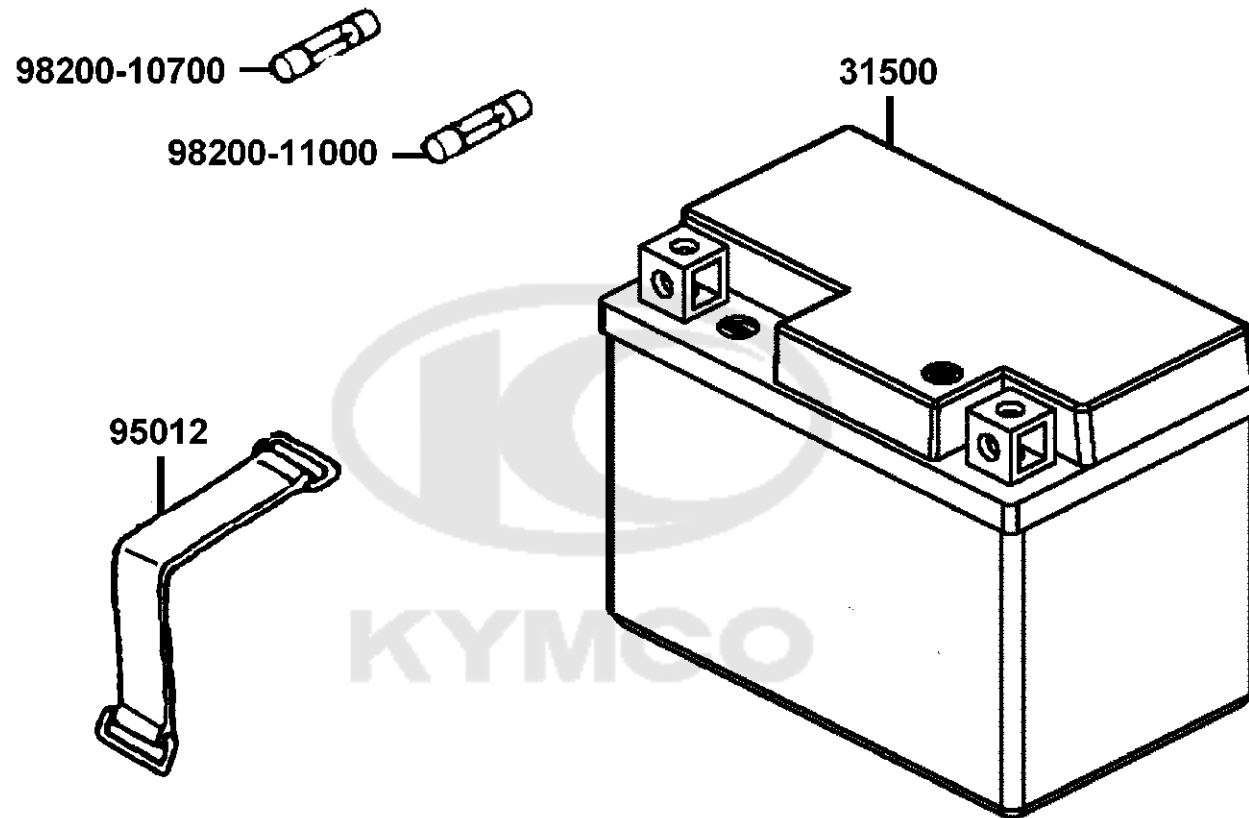


Sales mark	Ref no	Part no	Description	Reg description	Regd no	<b>F10</b>
	1691A	1691A-LEJ2-E10	STRAINER ASSY FUEL	STRAINER ASSY FUEL	1	
	16950	16950-LKL5-E30	AUTO COCK ASSY FUEL	AUTO COCK ASSY FUEL	1	
	1750A	1750A-LEJ2-E10	TANK COMP. FUEL	TANK COMP. FUEL	1	
	17620	17620-LBA8-C10	CAP FUEL FILLER	CAP FUEL FILLER	1	
	17683	17683-LFC3-E10	TUBE ASSY COCK-CARB	TUBE ASSY COCK-CARB	1	
	17684	17684-LFC3-E10	TUBE ASSY COCK-INLET PIPE	TUBE ASSY COCK-INLET PIPE	1	
	37802	37802-GGA7-C00	RET FUEL UNIT	RET FUEL UNIT	1	
	3780A	3780A-LEJ2-E10	FUEL UNIT ASSY	FUEL UNIT ASSY	1	
	95701	95701-06012-08	BOLT FLANGE 6*12	BOLT FLANGE 6*12	5	



F11

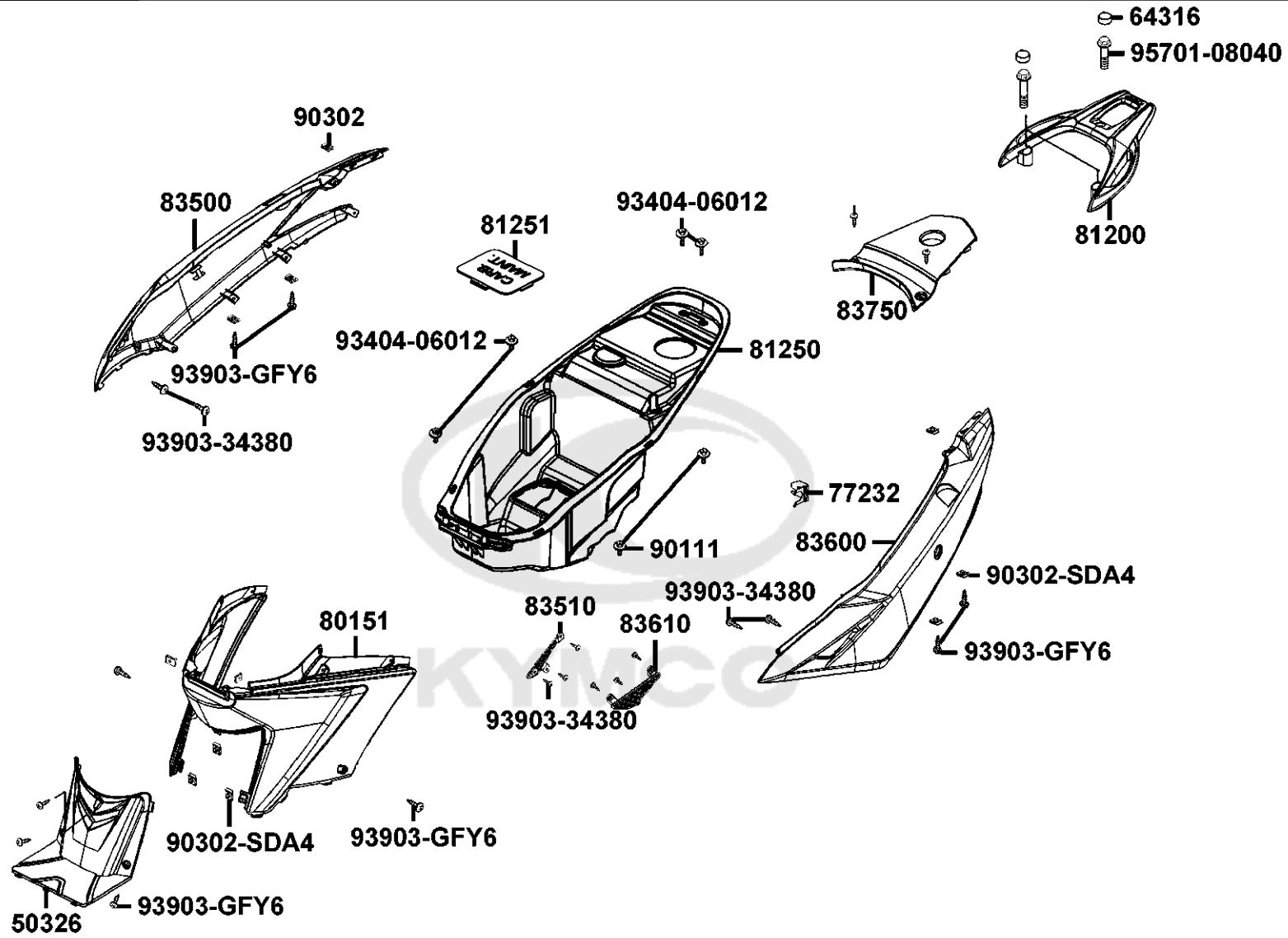
Battery



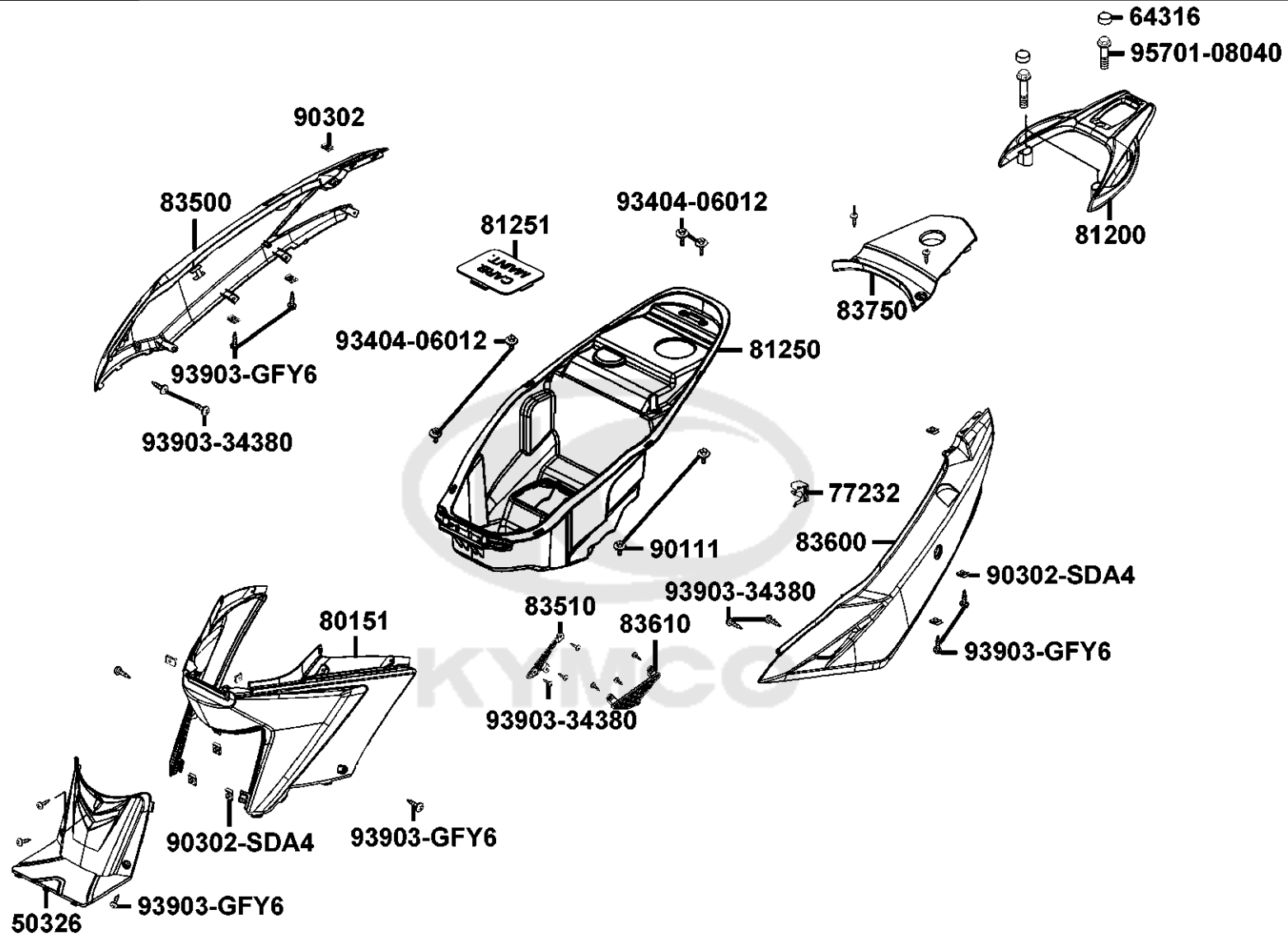
Sales mark	Ref no	Part no	Description	Reg description	Regd no	<b>F11</b>
------------	--------	---------	-------------	-----------------	---------	------------

31500		31500-GFY6-C00	BATTERY	BATTERY	1	
95012		95012-LEJ2-E10	BAND BATTERY	BAND BATTERY	1	
98200-10700		98200-10700	FUSE A7	FUSE A7	1	
98200-11000		98200-11000	FUSE A10	FUSE A10	1	





Sales mark	Ref no	Part no	Description	Reg description	Regd no	F12
**	50326	50326-LFC2-E10	COVER BATTERY	COVER BATTERY	1	
**	64316	64316-LCB9-C10	PLUG FLOOR	PLUG FLOOR	3	
	77232	77232-KCAC-C00	SET SPG SEAT LOCK	SET SPG SEAT LOCK	1	
**	80151	80151-LFC2-E10	COVER CENTER	COVER CENTER	1	
**	81200	81200-LFC2-E10	CARRIER RR	CARRIER RR	1	
**	81250	81250-LFC2-E10	BOX LUGGAGE	BOX LUGGAGE	1	
**	81251	81251-LEJ3-E10	COVER CARB. MAINT	COVER CARB. MAINT	1	
**	83500	83500-LFC2-E10	COVER R BODY	COVER R BODY	1	
**	83510	83510-LFC2-E10	GRILL R SIDE	GRILL R SIDE	1	
**	83600	83600-LFC2-E10	COVER L BODY	COVER L BODY	1	
**	83610	83610-LFC2-E10	GRILL L SIDE	GRILL L SIDE	1	
**	83750	83750-LFC2-E10	COVER RR CENTER	COVER RR CENTER	1	
	90111	90111-1G87-C00	BOLT FLANGE 6MM	BOLT FLANGE 6MM	1	
	90111	90111-1G87-C01	BOLT FLANGE 6MM	BOLT FLANGE 6MM	1	
	90302	90302-SDA4-C00	NUT SPRING 4MM	NUT SPRING 4MM	1	
	90302	90302-SDA4-C01	NUT SPRING 4MM	NUT SPRING 4MM	1	
	93404-06012	93404-06012-07	BOLT WASH 6*12	BOLT WASH 6*12	4	
	93903-34380	93903-34380	SCREW TAPPING 4*12 (K)	SCREW TAPPING 4*12 (K)	10	
	93903-GFY6	93903-GFY6-C00	SCREW TAPPING 4*14	SCREW TAPPING 4*14	1	
	93903-GFY6	93903-GFY6-C01	SCREW TAPPING 4*14(K)	SCREW TAPPING 4*14(K)	1	



Sales mark	Ref no	Part no	Description	Reg description	Regd no	<b>F12</b>
------------	--------	---------	-------------	-----------------	---------	------------

95701-08040

95701-08040-08

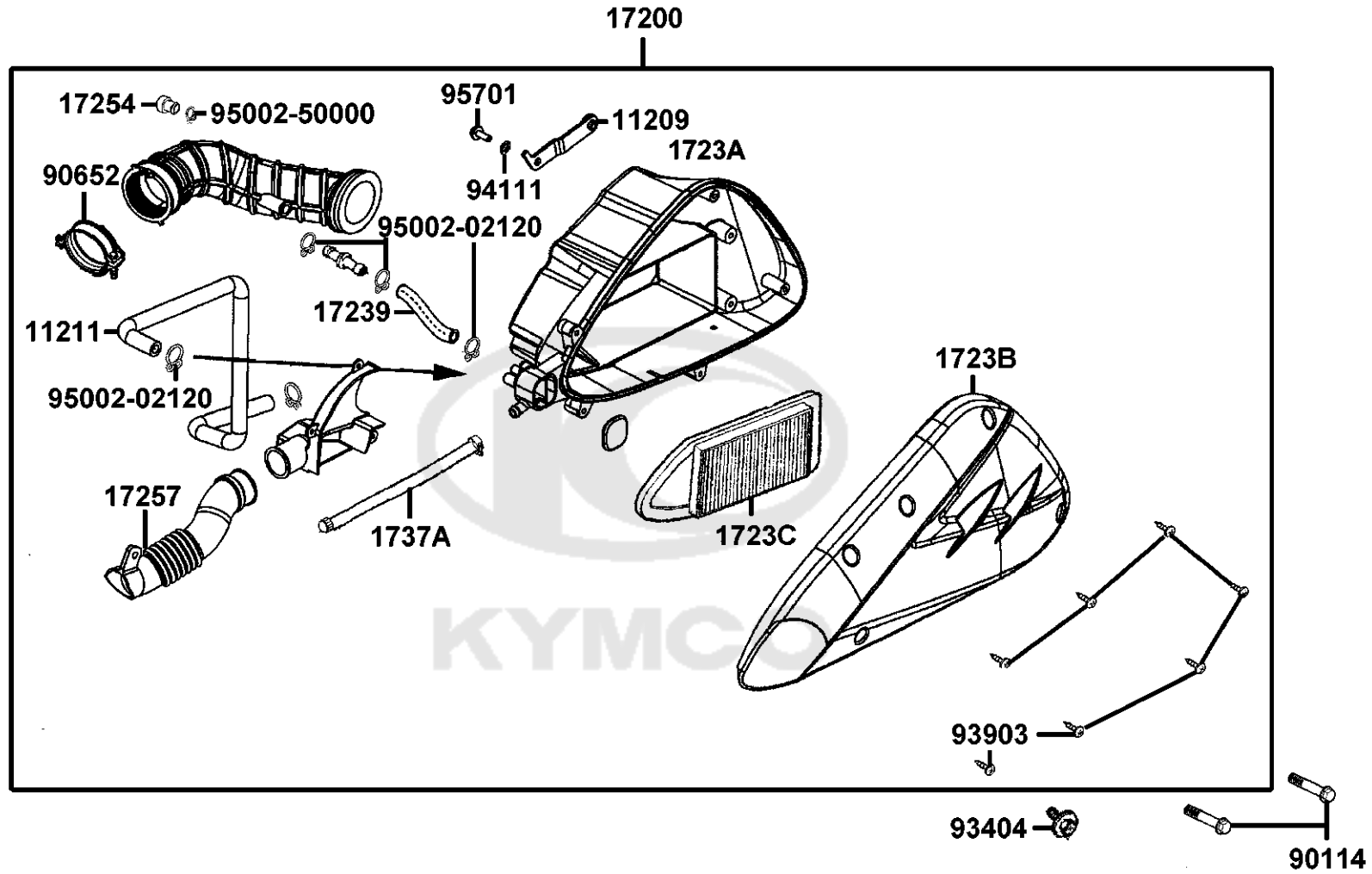
BOLT FLANGE 8\*40 (C)

BOLT FLANGE 8\*40 (C)

3



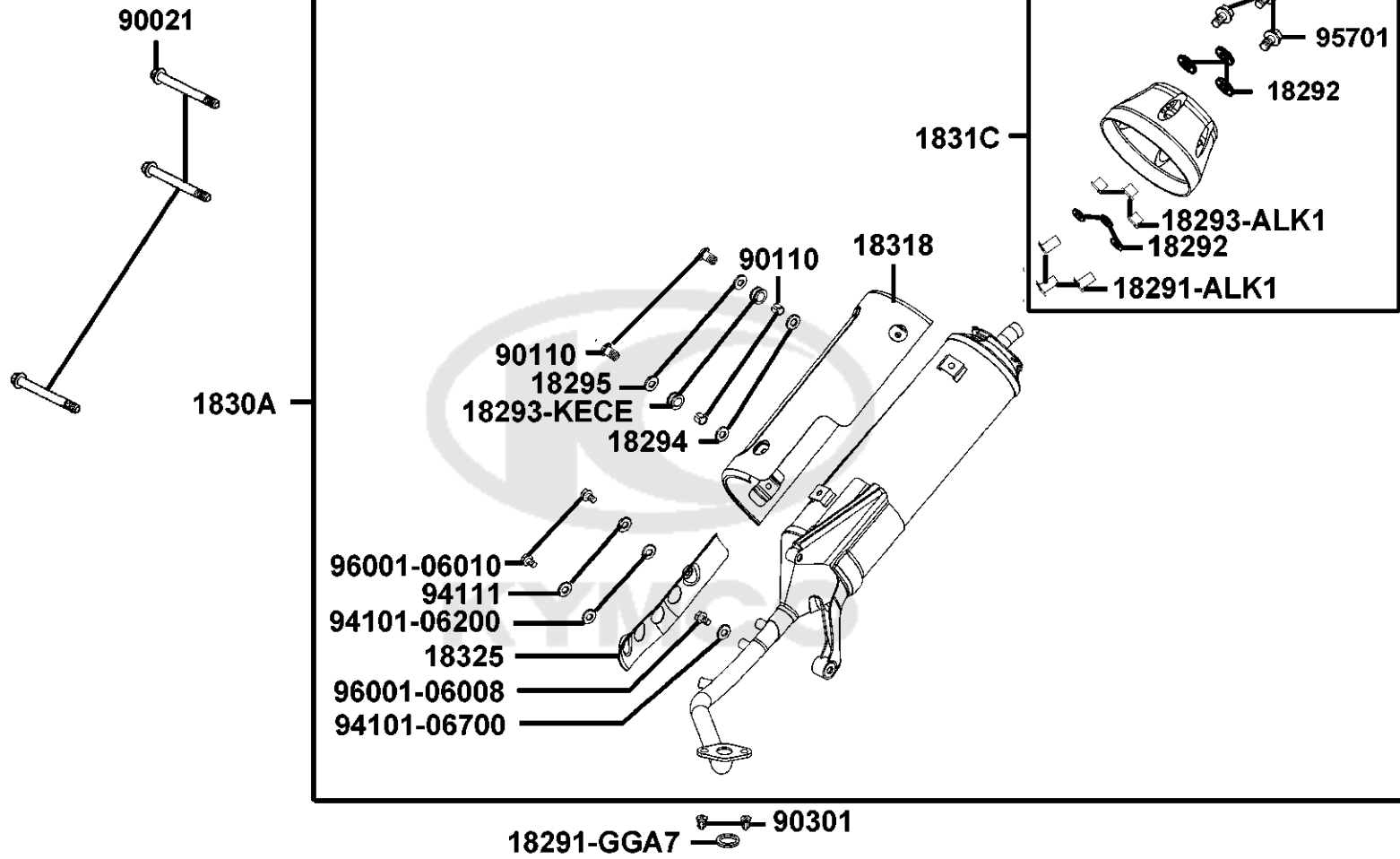




Sales mark	Ref no	Part no	Description	Reg description	Regd no	F13
	11209	11209-LCD3-E00	STAY B RR FENDER	STAY B RR FENDER	1	
	11211	11211-KHB4-C00	TUBE BREATHER	TUBE BREATHER	1	
	17200	17200-LFC4-E10	AIR/C ASSY.	AIR/C ASSY.	1	
	17239	17239-KHB4-C00	TUBE AIR/C BLOW BY	TUBE AIR/C BLOW BY	1	
	1723A	1723A-LFC4-E10	"CASE ASSY,AIR/C"	"CASE ASSY,AIR/C"	1	
	1723B	1723B-LFC4-E10	COVER COMP AIR/C	COVER COMP AIR/C	1	
	1723C	1723C-LEJ3-E10	ELEMENT COMP AIR/C	ELEMENT COMP AIR/C	1	
	17254	17254-KACA-P00	PLUG AIR/C CONN TUBE	PLUG AIR/C CONN TUBE	1	
	17257	17257-LFC4-E10	DUCT AIR/C	DUCT AIR/C	1	
	1737A	1737A-LCD3-E00	V TUBE ASSY	V TUBE ASSY	1	
	90114	90114-GDM4-C00	BOLT M6*28	BOLT M6*28	1	
	90652	90652-GFY6-C00	BAND 49 AIR/C CONNECTING TUBE	BAND 49 AIR/C CONNECTING TUBE	1	
	93404	93404-06012-07	BOLT WASH 6*12	BOLT WASH 6*12	1	
	93903	93903-25480	SCREW TAPPING 5*20 (K)	SCREW TAPPING 5*20 (K)	7	
	94111	94111-06800	WASHER PLAIN 6MM	WASHER PLAIN 6MM	1	
	95002-02120	95002-02120	CLIP B12 TUBE	CLIP B12 TUBE	1	
	95002-50000	95002-50000	CLIP C9 TUBE	CLIP C9 TUBE	1	
	95701	95701-06008-08	WASHER PLAIN 12MM (C)	WASHER PLAIN 12MM (C)	1	

F14

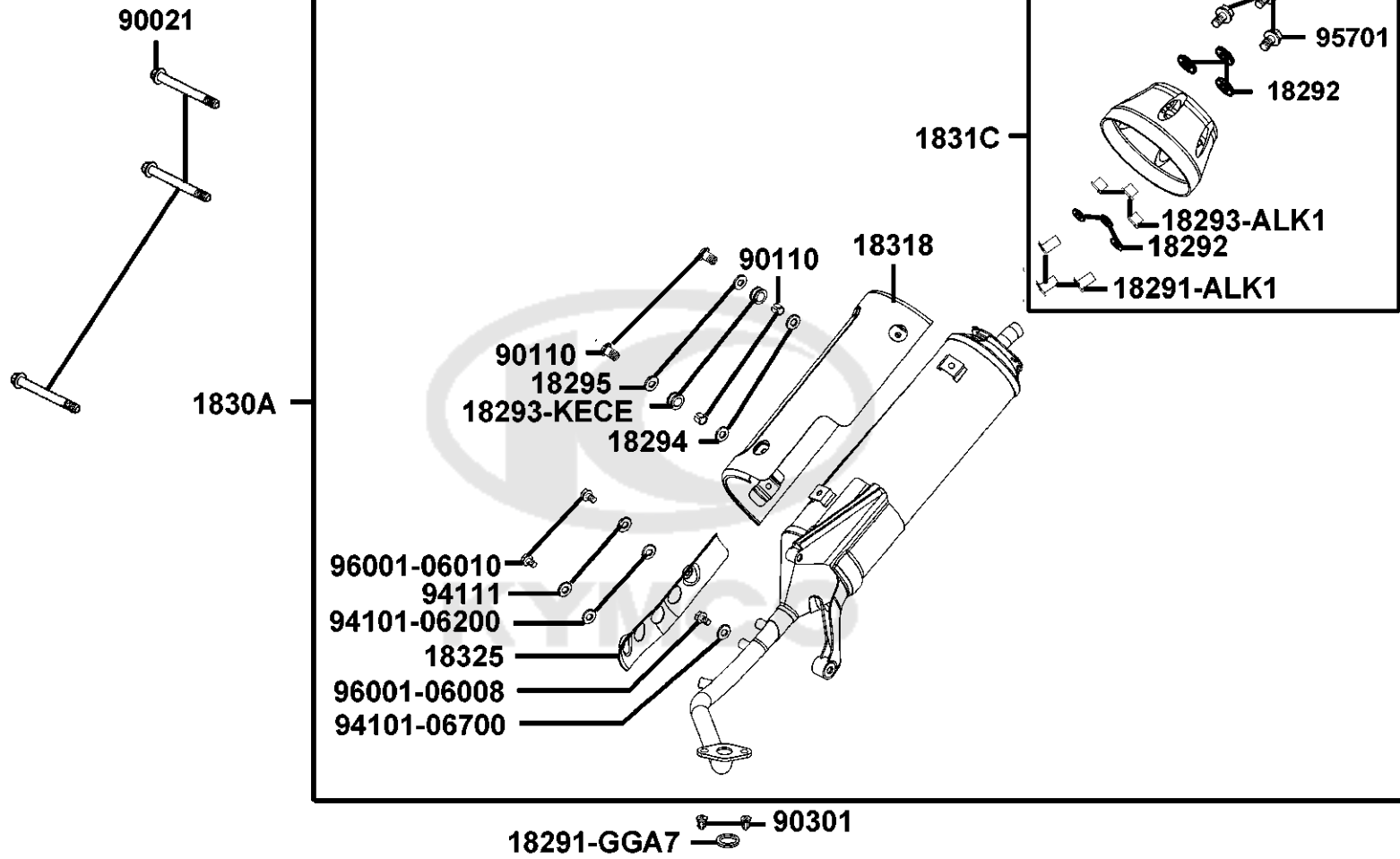
Exhaust Muffler



Sales mark	Ref no	Part no	Description	Reg description	Regd no	F14
	18291-ALK1	18291-ALK1-E10	COLLAR	COLLAR	1	
	18291-GGA7	18291-GGA7-C01	GASKET EXH PIPE	GASKET EXH PIPE	1	
	18292	18292-KEBE-C00	PACKING PROTECTOR	PACKING PROTECTOR	1	
	18293-ALK1	18293-ALK1-E10	"RUBBER,PKG PROTR"	"RUBBER,PKG PROTR"	1	
	18293-KECE	18293-KECE-C00	RUBBER A PROTR	RUBBER A PROTR	1	
	18294	18294-PUA3-B50	PACKING PTOTECTOR	PACKING PTOTECTOR	1	
	18295	18295-KECE-C00	COLLAR 6MM	COLLAR 6MM	1	
	1830A	1830A-LFC3-E10	MUFFLER ASSY EXH	MUFFLER ASSY EXH	1	
**	18318	18318-LCD3-E10	PROTECTOR MUFF	PROTECTOR MUFF	1	
	1831C	1831C-ALK1-E90	ASSY C.MUFFLER	ASSY C.MUFFLER	1	
	18325	18325-LFC3-E10	MUFFLER COMP EXH	MUFFLER COMP EXH	1	
	90021	90021-GFY6-C10	BOLT WASHER COMP	BOLT WASHER COMP	1	
	90021	90021-GFY6-C11	BOLT WASHER COMP	BOLT WASHER COMP	1	
	90110	90110-LCD4-E00	MUFFLER COMP EXH	MUFFLER COMP EXH	4	
	90301	90301-GFY6-C00	NUT (HEX) CAP 8MM	NUT (HEX) CAP 8MM	1	
	94101-06200	94101-06200	WASHER PLANE 6MM	WASHER PLANE 6MM	2	
	94101-06700	94101-06700	WASHER PLAIN 6MM (K)	WASHER PLAIN 6MM (K)	1	
	94111	94111-06800	WASHER PLAIN 6MM	WASHER PLAIN 6MM	2	
	95701	95701-LGR5-E10	BOLT FLANGE SH 6*25	BOLT FLANGE SH 6*25	1	
	96001-06008	96001-06008-07	BOLT FLANGE 6*10	BOLT FLANGE 6*10	1	

F14

Exhaust Muffler



Sales mark	Ref no	Part no	Description	Reg description	Regd no	<b>F14</b>
------------	--------	---------	-------------	-----------------	---------	------------

96001-06010

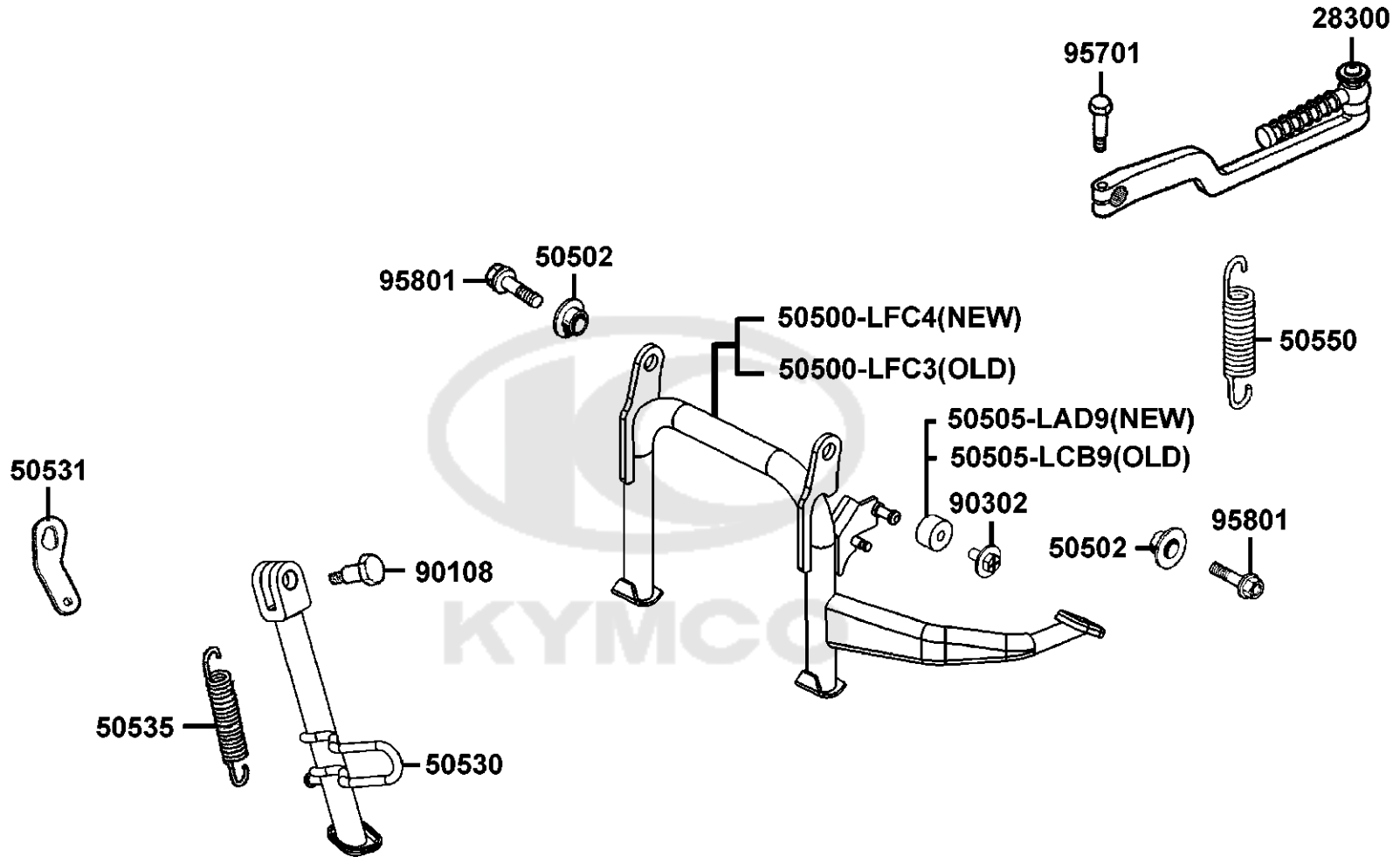
96001-06010-02

BOLT FLANGE SH 6\*10 (Cr)

BOLT FLANGE SH 6\*10 (Cr)

2



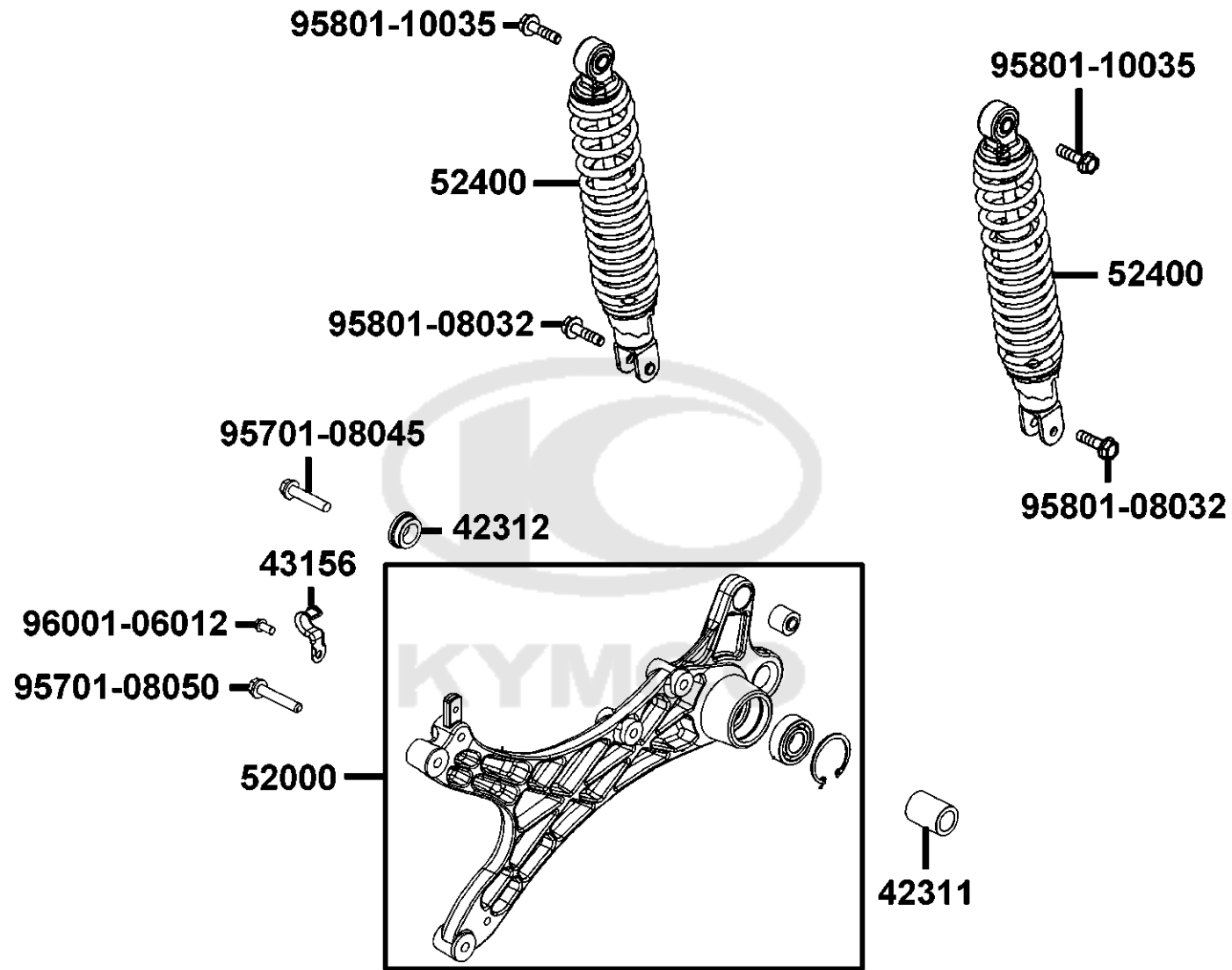


Sales mark	Ref no	Part no	Description	Reg description	Regd no	<b>F15</b>
	28300	28300-LEJ3-E10	"ARM ASSY,KICK START"	"ARM ASSY,KICK START"	1	
	50500-LFC3	50500-LFC3-E10	STAND COMP MAIN	STAND COMP MAIN	1	
	50500-LFC4	50500-LFC4-E10	"STAND COMP.,MAIN "	"STAND COMP.,MAIN "	1	
	50502	50502-LDF7-C00	COLLAR MAIN STAND	COLLAR MAIN STAND	1	
	50505-LAD9	50505-LAD9-C00	STOPPER RUBBER	STOPPER RUBBER	1	
	50505-LCB9	50505-LCB9-C00	STOPPER RUBBER	STOPPER RUBBER	1	
	50530	50530-LFC2-E10	BAR SIDE STAND	BAR SIDE STAND	1	
	50531	50531-KEB7-C00	PLATE SPRING STOPPER	PLATE SPRING STOPPER	1	
	50535	50535-KEB7-W10	SPRING COMP SIDE STAND	SPRING COMP SIDE STAND	1	
	50550	50550-KEB7-C00	SPG ASSY MAIN STAND	SPG ASSY MAIN STAND	1	
	90108	90108-KFA6-E00	SCREW SIDE STAND PIVOT	SCREW SIDE STAND PIVOT	1	
	90302	90302-GFY6-C00	BOLT-WASH 5*12	BOLT-WASH 5*12	1	
	95701	95701-06022-07	BOLT FLANGE 6*22 (K)	BOLT FLANGE 6*22 (K)	1	
	95801	95801-10025-08	BOLT FLANGE 10*25C	BOLT FLANGE 10*25C	2	

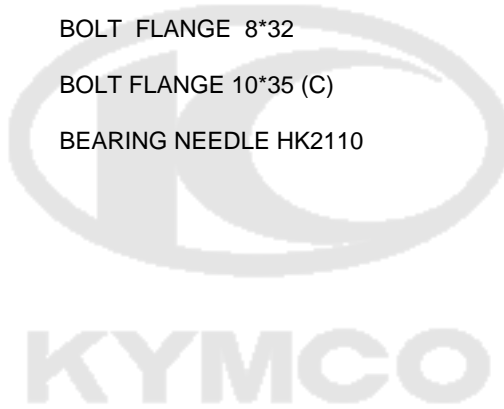


F16

Rear Cushion

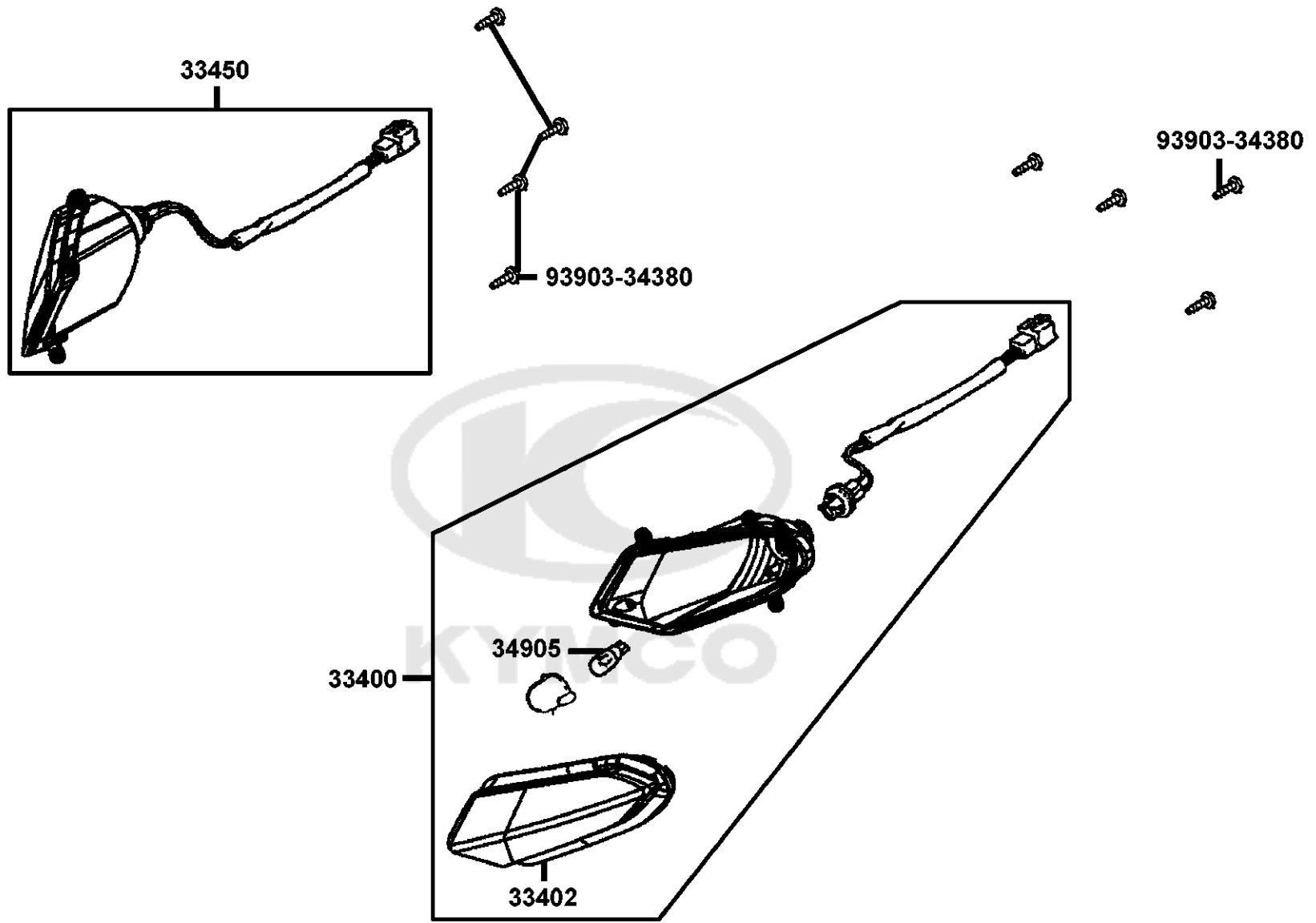


Sales mark	Ref no	Part no	Description	Reg description	Regd no	<b>F16</b>
	42311	42311-KHB4-C00	COLLAR RR AXLE A	COLLAR RR AXLE A	1	
	42312	42312-LEJ2-E10	"COLLAR,RR AXLE SIDE"	"COLLAR,RR AXLE SIDE"	1	
	43156	43156-LFC3-E10	CLAMPER HOSE RR	CLAMPER HOSE RR	1	
	52000	52000-LFC3-E10	FORK ASSY RR	FORK ASSY RR	1	
**	52400	52400-LFC4-E10	CUSHION ASSSY RR	CUSHION ASSSY RR	2	
	95701-08045	95701-08045-07	BOLT FLANGE 8*45 (K)	BOLT FLANGE 8*45 (K)	1	
	95701-08050	95701-08050-07	BOLT FLANGE 8*50 (K)	BOLT FLANGE 8*50 (K)	1	
	95801-08032	95801-08032-08	BOLT FLANGE 8*32	BOLT FLANGE 8*32	2	
	95801-10035	95801-10035-08	BOLT FLANGE 10*35 (C)	BOLT FLANGE 10*35 (C)	2	
	96001	96001-06012-00	BEARING NEEDLE HK2110	BEARING NEEDLE HK2110	1	



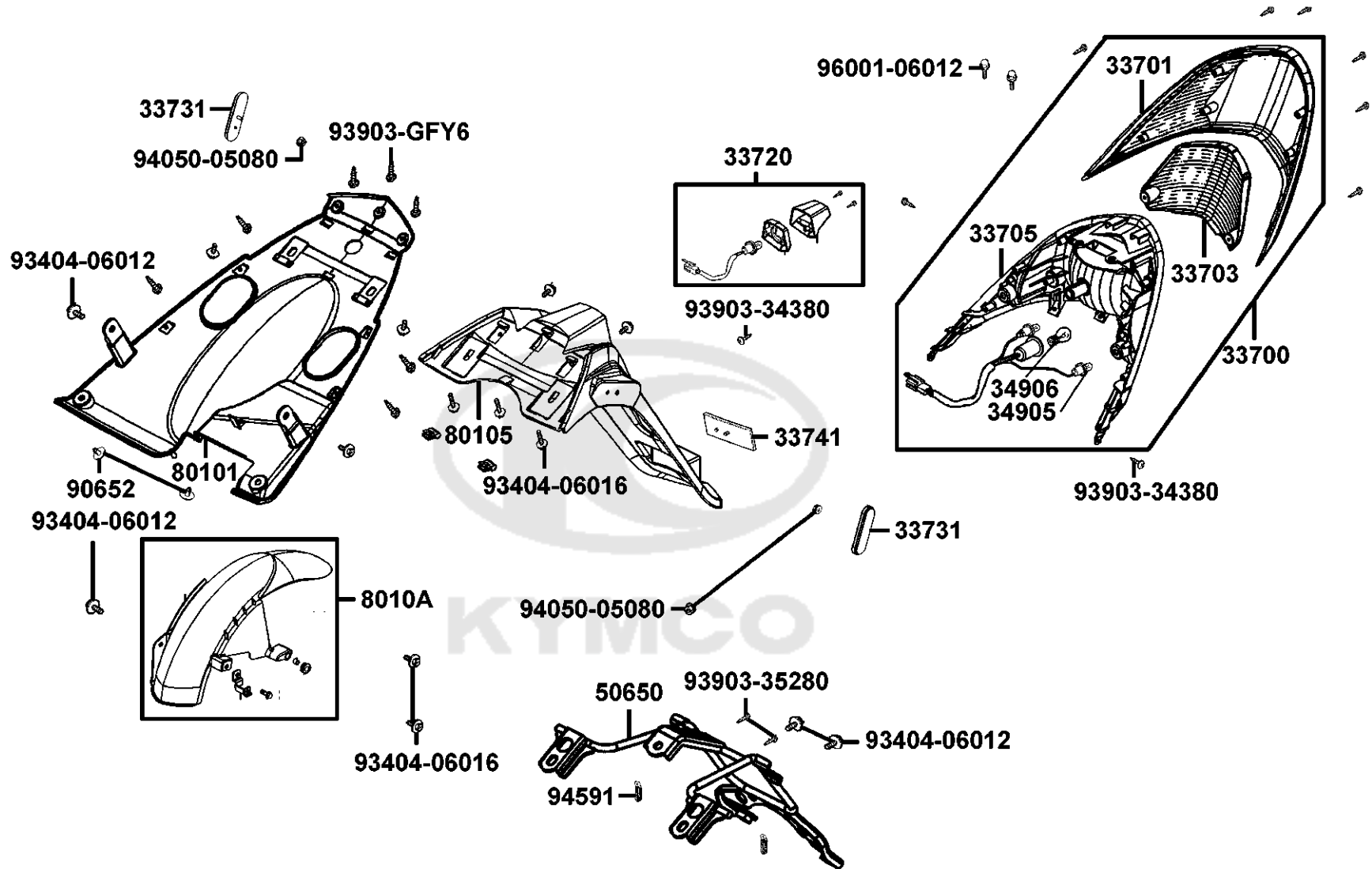
F17

Front Winker

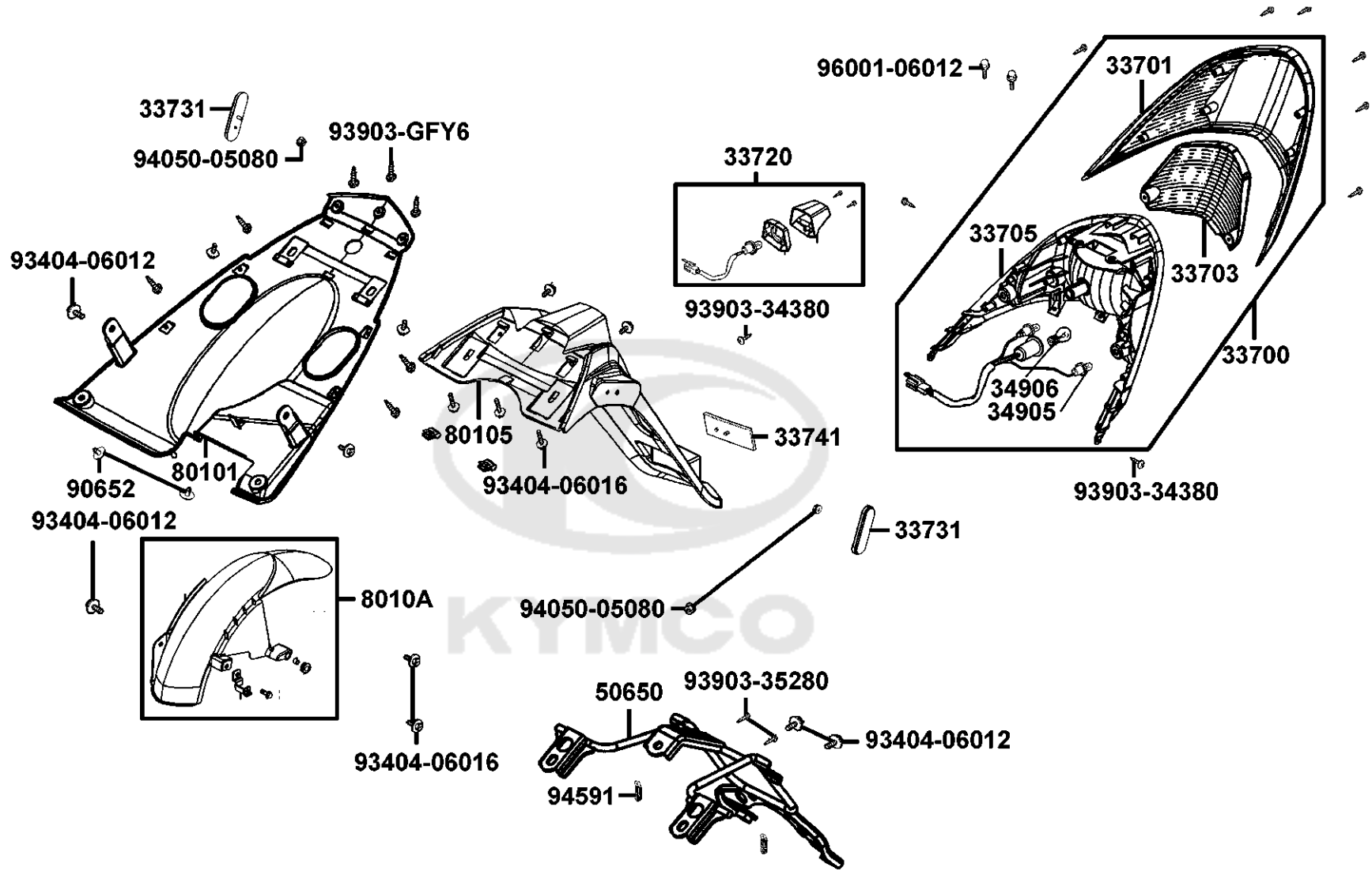


Sales mark	Ref no	Part no	Description	Reg description	Regd no	<b>F17</b>
	33400	33400-LFC3-E12	WINKER ASSY RH FR	WINKER ASSY RH FR	1	
	33402	33402-LFC2-E10	LENS R FR WINKER	LENS R FR WINKER	1	
	33450	33450-LFC3-E12	WINKER ASSY LH FR	WINKER ASSY LH FR	1	
	34905	34905-LBA8-E80	BULB RR WINKER	BULB RR WINKER	1	
	93903	93903-34380	SCREW TAPPING 4*12 (K)	SCREW TAPPING 4*12 (K)	8	





Sales mark	Ref no	Part no	Description	Reg description	Regd no	F18
	33700	33700-LFC3-E12	LIGHT ASSY RR COMB	LIGHT ASSY RR COMB	1	
	33701	33701-LFC3-E12	LENS COMP TAIL LIGHT	LENS COMP TAIL LIGHT	1	
	33703	33703-LFC2-E10	LENS TAIL LIGHTRED	LENS TAIL LIGHTRED	1	
	33705	33705-LFC2-E10	BASE RR COMP	BASE RR COMP	1	
	33720	33720-LEJ2-E10	LIGHT ASSY LICENSE	LIGHT ASSY LICENSE	1	
	33731	33731-KGB5-C00	REFLEX REFLECTOR SIDE	REFLEX REFLECTOR SIDE	1	
	33741	33741-KEBE-C00	REFLEX REFLECTOR	REFLEX REFLECTOR	1	
	34905	34905-KPCP-C00	BULB WINKER	BULB WINKER	1	
	34906	34906-KPCP-900	BULB TAIL & STOP	BULB TAIL & STOP	1	
	50650	50650-LFC2-E10	"STAY RR.,FENDER"	"STAY RR.,FENDER"	1	
**	80101	80101-LFC3-E10	FENDER RR INNER	FENDER RR INNER	1	
**	80105	80105-LFC2-E10	FENDER REAR	FENDER REAR	1	
	8010A	8010A-LFC3-E10	FENDER ASSY. RR TIRE	FENDER ASSY. RR TIRE	1	
	90652	90652-LCA4-C10	CLIP MUDGUARD	CLIP MUDGUARD	1	
	93404-06012	93404-06012-07	BOLT WASH 6*12	BOLT WASH 6*12	7	
	93404-06016	93404-06016-07	BOLT WASHER 6*16 (K)	BOLT WASHER 6*16 (K)	5	
	93903-34380	93903-34380	SCREW TAPPING 4*12 (K)	SCREW TAPPING 4*12 (K)	9	
	93903-35280	93903-35280	SCREW TAPPING 5*12 (K)	SCREW TAPPING 5*12 (K)	2	
	93903-GFY6	93903-GFY6-C00	SCREW TAPPING 4*14	SCREW TAPPING 4*14	1	
	93903-GFY6	93903-GFY6-C01	SCREW TAPPING 4*14(K)	SCREW TAPPING 4*14(K)	1	



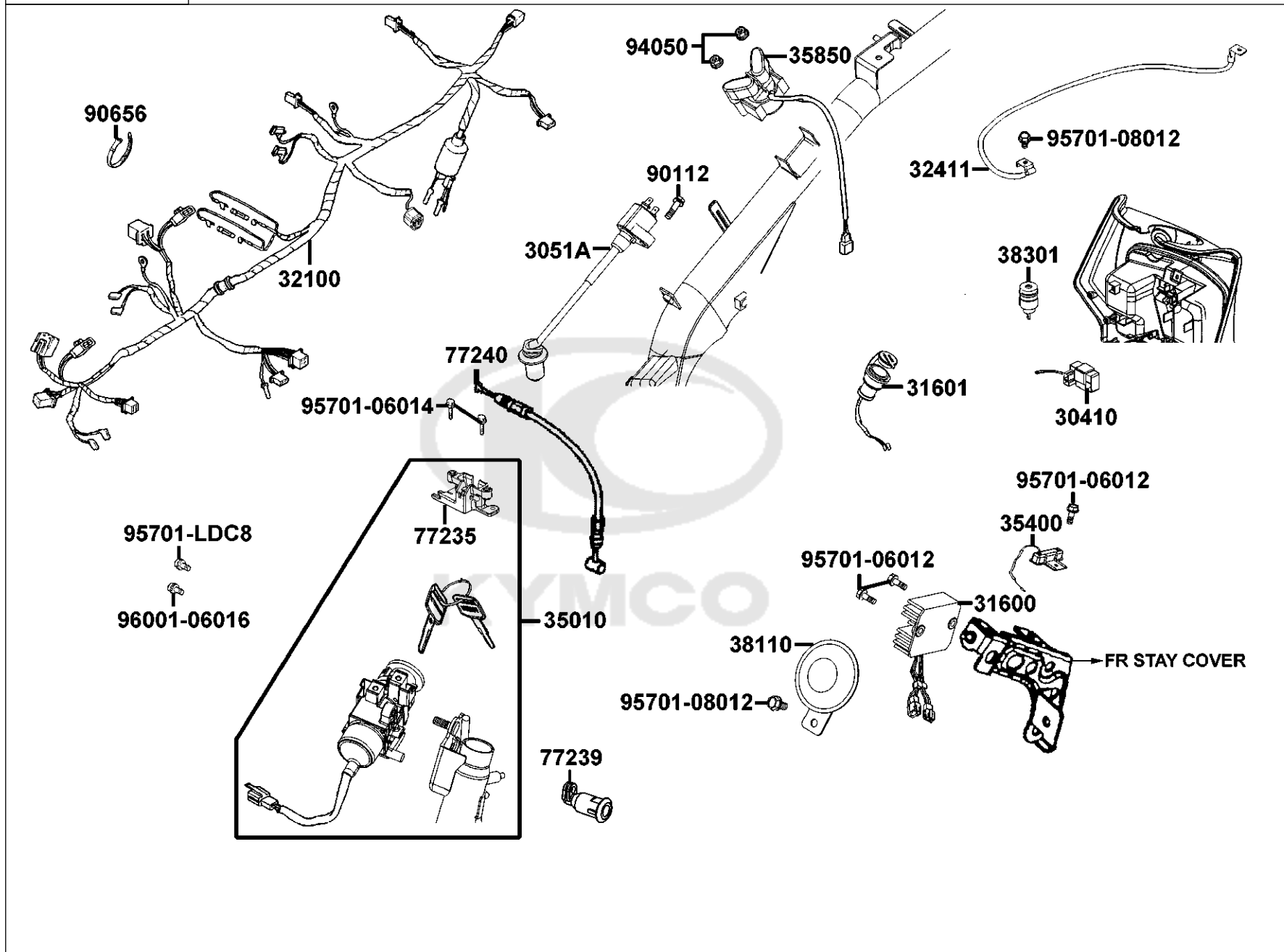
Sales mark	Ref no	Part no	Description	Reg description	Regd no	<b>F18</b>
94050		94050-05080	NUT FLANGE 5MM	NUT FLANGE 5MM	3	
94591		94591-25000	CLIP BIND	CLIP BIND	2	
96001		96001-06012-08	BOLT FLANGE 6*12	BOLT FLANGE 6*12	1	
96001		96001-06012-08G	BOLT FLANGE SH 6*12 (C)	BOLT FLANGE SH 6*12 (C)	1	





F19

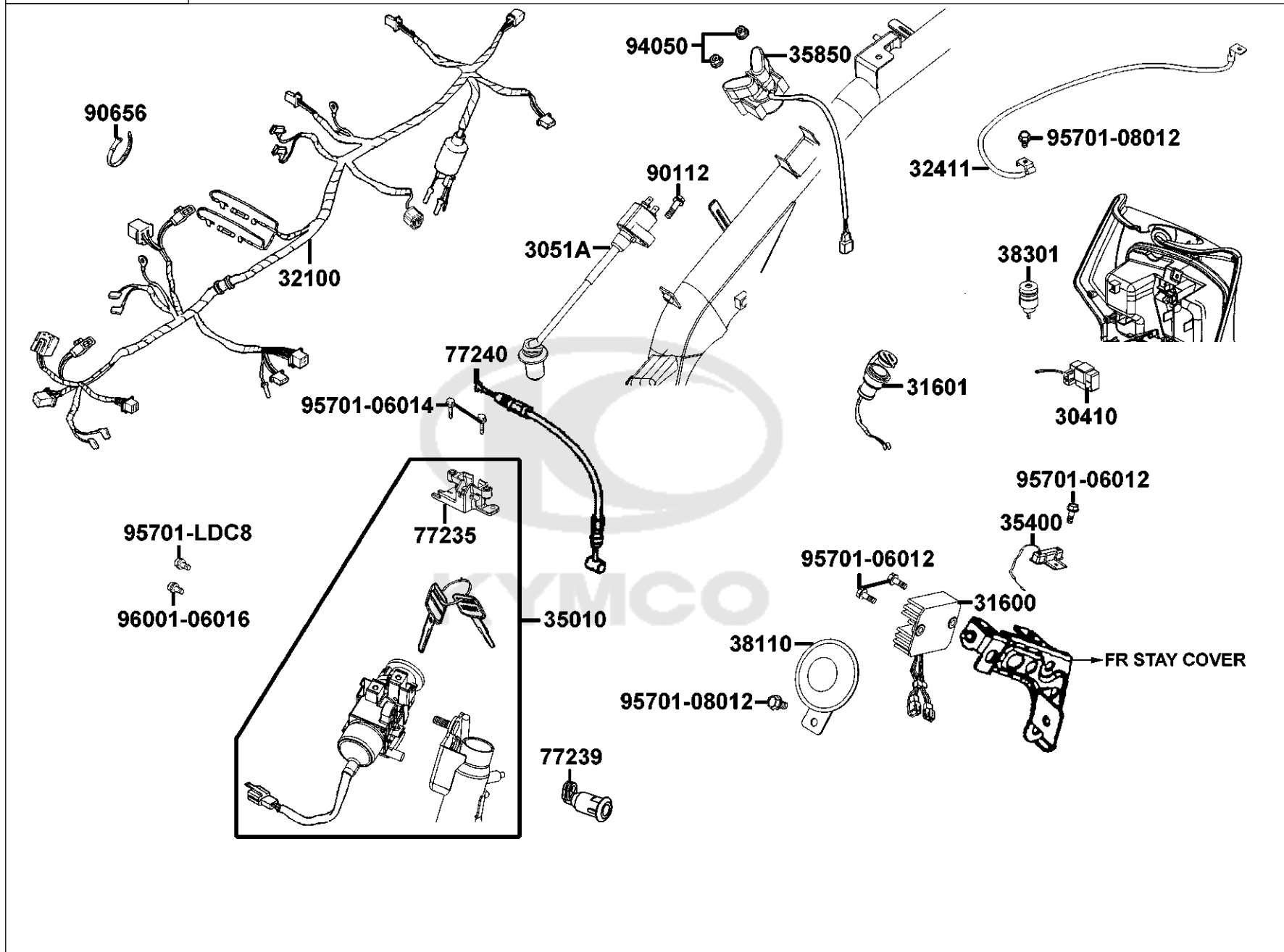
Wire Harness



Sales mark	Ref no	Part no	Description	Reg description	Regd no	F19
	30410	30410-LFC4-E10	UNIT COMP. C.D.I	UNIT COMP. C.D.I	1	
	3051A	3051A-LLF5-C00	COIL ASSY IGN	COIL ASSY IGN	1	
	31600	31600-LFC2-E11	REG REC COMP DC	REG REC COMP DC	1	
	31601	31601-LFC2-E10	SOCKET COMP DC 12V	SOCKET COMP DC 12V	1	
	32100	32100-LFC3-E10	HARNESS WIRE	HARNESS WIRE	1	
	32411	32411-LEJ3-E11	CABLE BAT	CABLE BAT	1	
	35010	35010-LFC2-E10	KEY SET	KEY SET	1	
	35400	35400-LEJ3-E10	RESISTOR COMP	RESISTOR COMP	1	
	35850	35850-KHD8-C00	SET START MAG	SET START MAG	1	
	38110	38110-KHB4-E0A	HORN COMP	HORN COMP	1	
	38301	38301-GGS7-C00	RELAY ASSY WINKER	RELAY ASSY WINKER	1	
	77235	77235-KGC4-C00	SEAT CATCH	SEAT CATCH	1	
	77239	77239-GFY6-C00	KEY SEAT LOCK	KEY SEAT LOCK	1	
	77240	77240-LFC2-E10	"CABLE,SEAT LOCK"	"CABLE,SEAT LOCK"	1	
	90112	90112-KRDR-C00	BOLT FLANGE 5*22	BOLT FLANGE 5*22	1	
	90656	90656-KUDU-900	BAND HARNESS WIRE	BAND HARNESS WIRE	1	
	94050	94050-06080	NUT FLANGE 6MM	NUT FLANGE 6MM	2	
	95701-06012	95701-06012-08	BOLT FLANGE 6*12	BOLT FLANGE 6*12	3	
	95701-06014	95701-06014-08	BOLT FLANGE 6*14 (C)	BOLT FLANGE 6*14 (C)	2	
	95701-08012	95701-08012-08	BOLT FLANGE 8*12 (C)	BOLT FLANGE 8*12 (C)	2	

F19

Wire Harness



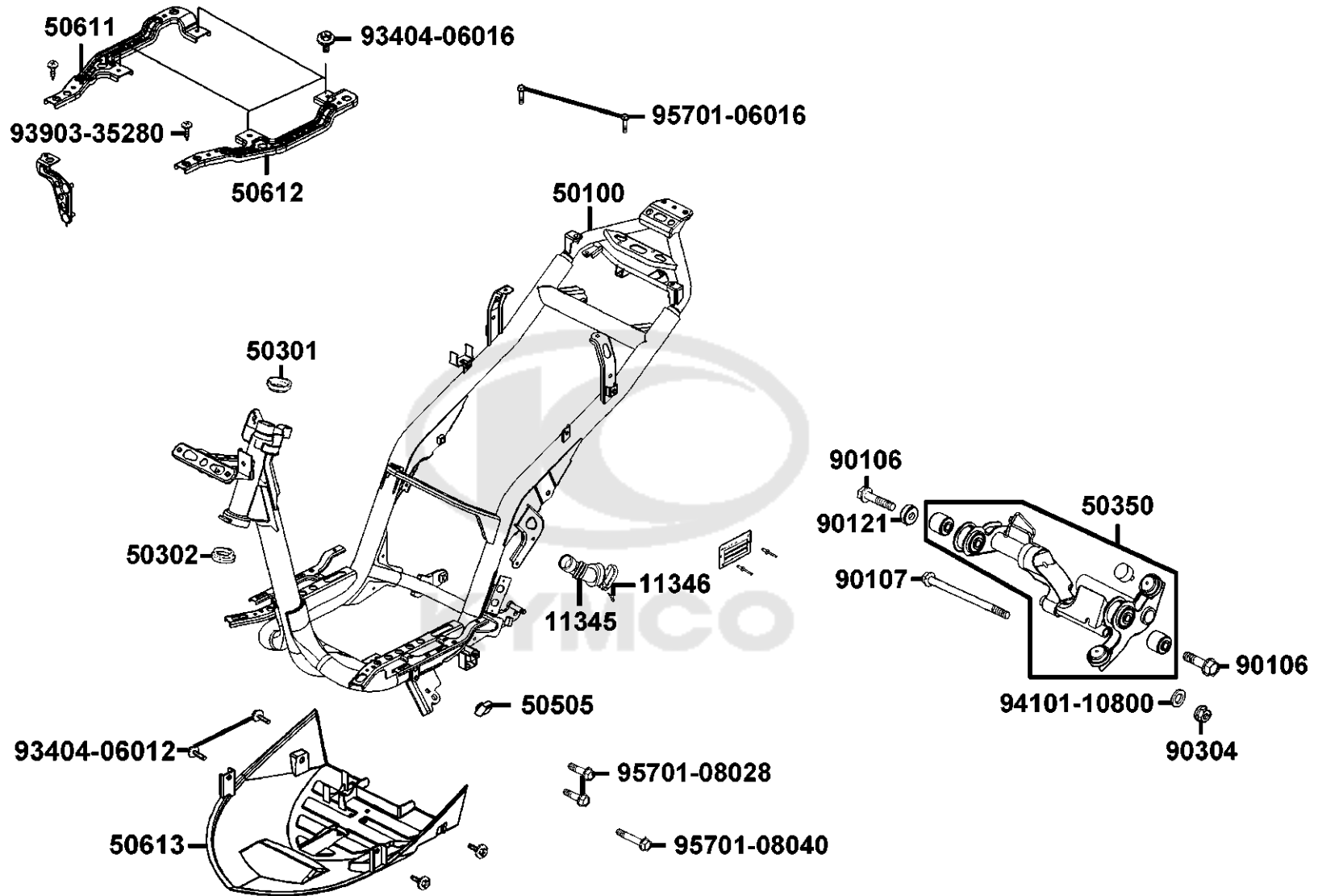
Sales mark	Ref no	Part no	Description	Reg description	Regd no	<b>F19</b>
------------	--------	---------	-------------	-----------------	---------	------------

	95701-08012	95701-08012-08G	BOLT FLANGE 8*12 (C)	BOLT FLANGE 8*12 (C)	2	
	95701-LDC8	95701-LDC8-E10	BOLT TORQUE 6x16	BOLT TORQUE 6x16	1	
	95701-LDC8	95701-LDC8-E11	BOLT TORQUE 6x16	BOLT TORQUE 6x16	1	
	96001	96001-06016-08	BOLT FLANGE SH 6*16	BOLT FLANGE SH 6*16	1	



F20

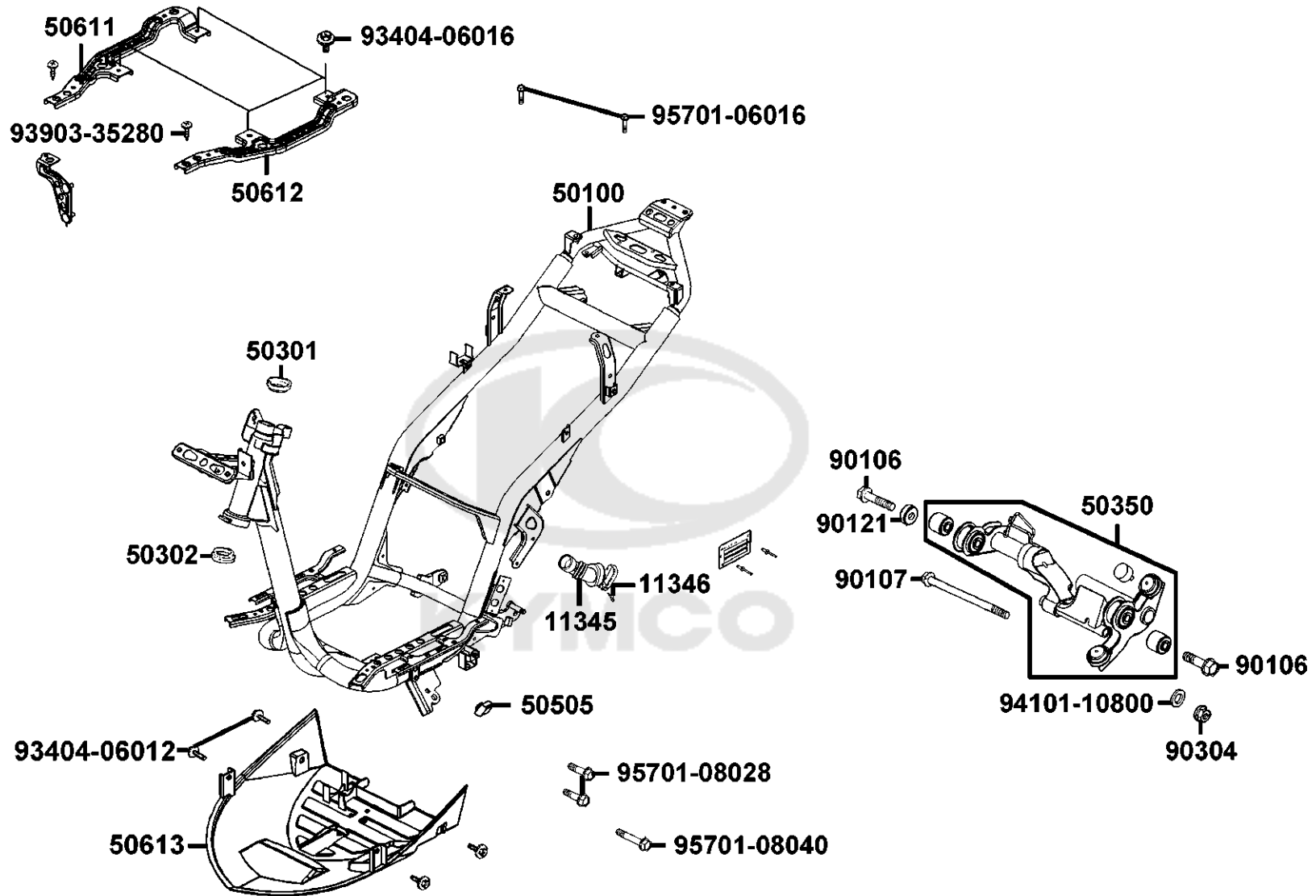
Frame Body



Sales mark	Ref no	Part no	Description	Reg description	Regd no	<b>F20</b>
	11345	11345-LEJ3-E10	DUCT L COVER	DUCT L COVER	1	
	11346	11346-KEBE-C00	BAND L COVER DUCT	BAND L COVER DUCT	1	
	50100	50100-LFC4-E10	BODY COMP FRAME	BODY COMP FRAME	1	
	50301	50301-KGN7-C00	RACE UP STRG BALL	RACE UP STRG BALL	1	
	50302	50302-2H68-C00	RACE (STRG BOT) BALL	RACE (STRG BOT) BALL	1	
	50350	50350-LFC3-B40	ENG HANGER COMP	ENG HANGER COMP	1	
	50505	50505-LDC8-E10	STOPPER RUBBER	STOPPER RUBBER	1	
	50611	50611-LFC2-E10	RNFCT R FLOOR	RNFCT R FLOOR	1	
	50612	50612-LFC2-E10	RNFCT L FLOOR	RNFCT L FLOOR	1	
**	50613	50613-LFC2-E10	COVER UNDER	COVER UNDER	1	
	90106	90106-LGB6-E10	"BOLT,FLANGE,10x55"	"BOLT,FLANGE,10x55"	1	
	90107	90107-KUDU-900	BOLT FLANGE 10*188	BOLT FLANGE 10*188	1	
	90121	90121-GFY6-C00	COLLAR DISTANCE	COLLAR DISTANCE	1	
	90304	90304-GHE8-C00	NUT U 10MM (C)	NUT U 10MM (C)	1	
	93404-06012	93404-06012-07	BOLT WASH 6*12	BOLT WASH 6*12	4	
	93404-06016	93404-06016-07	BOLT WASHER 6*16 (K)	BOLT WASHER 6*16 (K)	4	
	93903	93903-45380	SCREW TAPPING 5*16 (K)	SCREW TAPPING 5*16 (K)	1	
	94101	94101-10800	WASHER PLAIN 10MM (C)	WASHER PLAIN 10MM (C)	1	
	95701-06016	95701-06016-08	BOLT FLANGE 6*16 (C)	BOLT FLANGE 6*16 (C)	2	
	95701-08028	95701-08028-08	BOLT FLANGE 8*28	BOLT FLANGE 8*28	2	

F20

Frame Body



Sales mark	Ref no	Part no	Description	Reg description	Regd no	<b>F20</b>
------------	--------	---------	-------------	-----------------	---------	------------

95701-08040

95701-08040-08

BOLT FLANGE 8\*40 (C)

BOLT FLANGE 8\*40 (C)

1

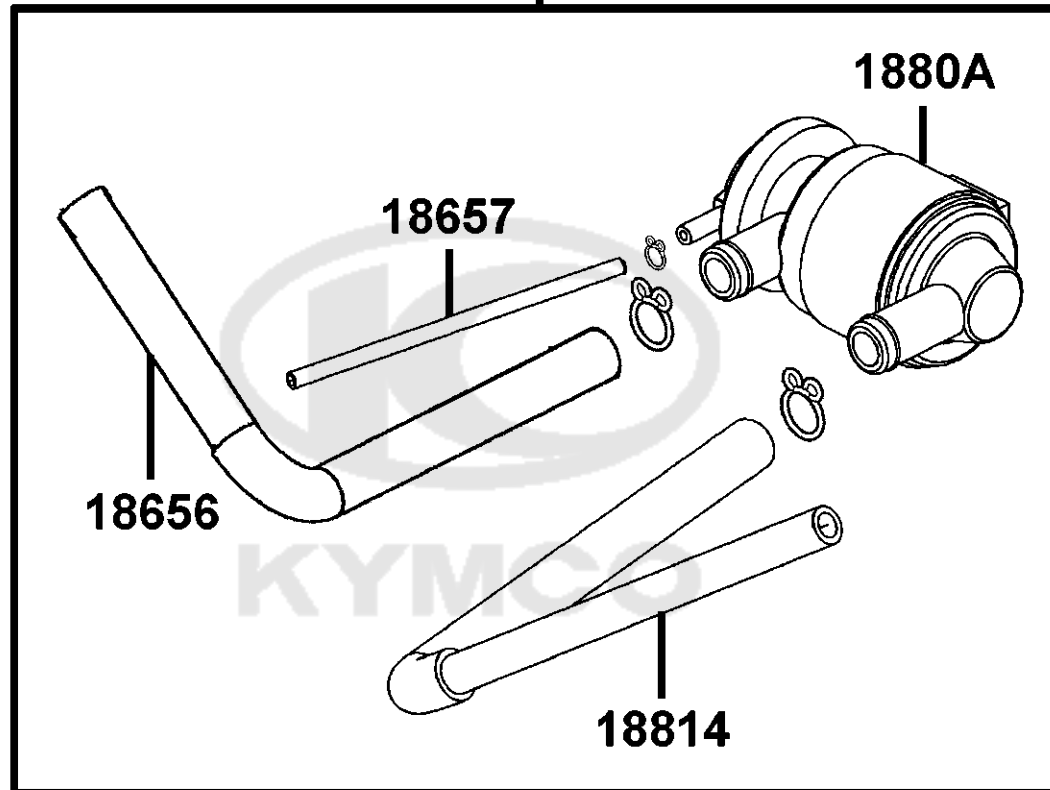




95002



1880B



Sales mark	Ref no	Part no	Description	Reg description	Regd no	<b>F21</b>
18656	18656-LEJ3-E10	18656-LEJ3-E10	DUCTAICV-REED VALVE	DUCTAICV-REED VALVE	1	
18657	18657-LEJ3-E10	18657-LEJ3-E10	TUBE INLET PIPE-AICV	TUBE INLET PIPE-AICV	1	
1880A	1880A-LEJ3-E10	1880A-LEJ3-E10	AI/CAICV ASSY	AI/CAICV ASSY	1	
1880B	1880B-LEJ3-E10	1880B-LEJ3-E10	AI/C-AICV SET	AI/C-AICV SET	1	
18814	18814-LEJ2-E10	18814-LEJ2-E10	DUCTAIR-AICV	DUCTAIR-AICV	1	
95002	95002-KKD6-C00	95002-KKD6-C00	CLAMP D18 TUBE	CLAMP D18 TUBE	1	



• Be sure to wear a safety helmet when riding.  
 • Do not exceed the speed specified by the rider's riding.  
 • The ambient weather temperature is very high after riding. Be sure to put the motorcycle in a place not easily heated by people.  
 • For riding safety and good performance, do not modify the bike to modify the motorcycle.  
 • Please read the user's manual carefully to avoid riding safely.

• Be sure to perform the periodic maintenance and periodic inspection.  
 Periodic Inspection Item  
 Brake Performance, tire, engine oil level, lights, horn, and instrument panel.  
 KYMCO YANG MOTOR CO., LTD.

87560

**CAUTIONS**

Tire Size : Front 100/80-16 Rear 120/80-16  
 (One Rider) : Front 1.50kg/cm<sup>2</sup> Rear 1.75kg/cm<sup>2</sup>  
 (Two Rider) : Front 2.00kg/cm<sup>2</sup> Rear 2.25kg/cm<sup>2</sup>  
 Load Capacity: Shield 1.5kg Rear carrier 3kg  
 inner box under saddle 10kg  
 (Note: The tire pressure must not overpass 2.30kg/cm<sup>2</sup>)

• Check the motor oil level with the dipstick after refilling motor oil.

87505-LFC-110

87505

**AGILITY 150**

86202

**CAUTIONS**

Before starting the engine, the side stand shall be kicked up to secure safety.

87541-GAR1

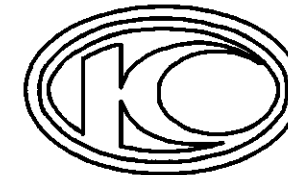
**Engine Oil Capacity**

Make sure to use KYMCO recommended "SIGMA" engine oil.

Full Capacity 0.9L  
 At Change 0.8L

Check the oil level after oil is filled.  
 Idle the engine for 3 minutes and check the oil level again.  
 KDU-E000

87541-LFC4



86102

**CAUTIONS**

Never put any article between the rear side cover and the engine to avoid interference of riding.

GM9-300

87542

TRADE NAME: KYMCO

VEHICLE CATEGORY: B

1. KYMCO 150-15  
 2. TLEU-11  
 3. KDU  
 4. GVB  
 5. KDU-B  
 6. G1-003  
 7. /  
 8. KYMCO 150-15  
 9. KDU 1115  
 10. GVB 1142  
 11. TLE-15  
 12. 289mm<sup>2</sup> KDU

87224

Sales mark	Ref no	Part no	Description	Reg description	Regd no	<b>F22</b>
**	86102	86102-LEJ2-E00	MARK KYMCO	MARK KYMCO	1	
**	86202	86202-LFC4-E80	EMB BODY COVER	EMB BODY COVER	1	
**	87224	87224-LFC4-EY0	CAUTION ANIT TAMPERING	CAUTION ANIT TAMPERING	1	
**	87505	87505-LFC2-E10	LABEL TIRE	LABEL TIRE	1	
**	87541-GAR1	87541-GAR1-C01	CAUTION SIDE STAND	CAUTION SIDE STAND	1	
**	87541-LFC4	87541-LFC4-E10	LABEL OIL CAP	LABEL OIL CAP	1	
**	87542	87542-GAR1-C01	MARK MAINT CAUTION	MARK MAINT CAUTION	1	
**	87560	87560-GFY6-C01	MARK DRIVE CAUTION	MARK DRIVE CAUTION	1	



## PART NO. INDEX

PART NO.	VERSION	PAGE	PART NO.	VERSION	PAGE	PART NO.	VERSION	PAGE
<b>11000</b>			12209-GDB4-C00	2	E02	14520-GFY6-C00	1	E03
11100-LCD4-C00	3	E01	1220A-LFC4-E10	0	E02	14523-GFY6-E90	1	E03
11102-1G87-C00	3	E01	12211-KUDU-W10	4	E02	1453A-GFY6-W10	1	E03
11192-LGS6-E90	0	E01	12251-KFBB-C00	0	E02	14610-KUDU-C00	1	E03
11200-LCD4-C00	0	E01	12310-KHC4-C11	0	E02	14610-KUDU-C0B	0	E03
11203-GGC7-W10	2	E01	1231A-KHC4-C11	0	E02	14610-KUDU-C10	1	E03
11206-LCD3-C00	0	E01	12361-GFY6-C00	5	E04	14711-KUDU-C00	1	E02
11208-LFC3-E10	2	E04	12391-GFY6-C00	5	E02	14721-KUDU-C00	1	E02
11209-LCD3-E00	3	F13	12391-GFY6-C10	0	E02	14751-KUDU-C10	2	E02
11211-KHB4-C00	0	F13	<b>13000</b>			14761-KUDU-C10	2	E02
11331-LCD3-E00	5	E04	13000-KFB7-C00	9	E03	14771-GDB4-C00	2	E02
11340-LEJ3-E11	0	E01	13011-KFBB-E0A	2	E03	14775-MFA6-C00	5	E02
11345-LEJ3-E10	1	F20	13101-KFB7-C00	0	E03	14781-MFA6-C00	4	E02
11346-KEBE-C00	1	F20	13111-KKJ9-C10	0	E03	<b>15000</b>		
11381-KHB4-C00	0	E01				15100-KFB7-C00	1	E06
11382-LEJ3-E10	0	E01	<b>14000</b>			15133-GFY6-W10	1	E06
11394-KUDU-E90	1	E04	14100-LGS6-E10	1	E02	15141-GFY6-C00	1	E06
11395-KHB4-C00	0	E01	14401-KUDU-C00	1	E03	15421-1G07-W10	1	E04
<b>12000</b>			14431-KUDU-W10	4	E02	15426-GAE1-C00	1	E04
12100-LFC4-E10	2	E03	14450-GFY6-W10	1	E02	15651-KUDU-W10	5	E04
12191-KFBB-E90	0	E03	14452-GFY6-W10	1	E02	1565A-KUDU-W10	1	E04
12200-LFC4-C10	0	E02	14510-KUDU-C00	1	E03	15711-KUDU-C00	1	E06
			14510-KUDU-C0B	0	E03			

## PART NO. INDEX

PART NO.	VERSION	PAGE	PART NO.	VERSION	PAGE	PART NO.	VERSION	PAGE	
<b>16000</b>			16142-KEC3-C00	0	E09	17683-LFC3-E10	1	F10	
			16154-KEC3-C00	0	E09	17684-LFC3-E10	1	F10	
			16165-KEC3-C00	0	E09	17910-KHD8-C00	0	F03	
	16012-KEC3-C00	0	E09	16170-KEC3-900	0	E09			
	16019-KUDU-C00	0	E09	16180-KEC3-C00	0	E09	<b>18000</b>		
	16035-LEJ3-E10	0	E09	16183-KEC3-C00	0	E09			
	16051-KEC3-C00	0	E09	16196-KKC8-500	2	E09	18291-ALK1-E10	0	F14
	16053-KEC3-C00	0	E09	16201-GFY6-E90	0	E02	18291-GGA7-C01	1	F14
	16068-KEC3-C00	0	E09	16211-GFY6-W10	1	E02	18292-KEBE-C00	0	F14
	16069-KEC3-C00	0	E09	1691A-LEJ2-E10	0	F10	18293-ALK1-E10	0	F14
	16074-KEC3-C00	3	E09	16950-LKL5-E30	0	F10	18293-KECE-C00	0	F14
	16079-LEJ2-E10	3	E09				18294-PUA3-B50	1	F14
	16087-KEC3-C00	3	E09	<b>17000</b>			18295-KECE-C00	0	F14
	16088-KEC3-900	1	E09				1830A-LFC3-E10	3	F14
	16093-5098-000	0	E09	1711A-LEJ3-E10	2	E02	18318-LCD3-E10	5	F14
	16095-KEC3-900	2	E09	17200-LFC4-E10	3	F13	1831C-ALK1-E90	0	F14
	16100-LFC4-E10	0	E09	17239-KHB4-C00	0	F13	18325-LFC3-E10	2	F14
	16100-LFC4-E11	0	E09	1723A-LFC4-E10	2	F13	18645-GFY6-C00	1	E02
	16111-KEC3-C00	0	E09	1723B-LFC4-E10	0	F13	18646-LDC8-E10	1	E02
16122-KEC3-C00	0	E09	1723C-LEJ3-E10	0	F13	18647-GFY6-C00	1	E02	
16124-KEC3-C00	0	E09	17254-KACA-P00	1	F13	18656-LEJ3-E10	0	F21	
16131-KEC3-C00	0	E09	17256-GFY6-C00	4	E02	18657-LEJ3-E10	1	F21	
16132-KEC3-C00	0	E09	17257-LFC4-E10	0	F13	1880A-LEJ3-E10	2	F21	
16133-KEC3-900	0	E09	1737A-LCD3-E00	0	F13	1880B-LEJ3-E10	3	F21	
16134-KEC3-900	0	E09	1750A-LEJ2-E10	0	F10	18814-LEJ2-E10	0	F21	
16138-KEC3-C00	0	E09	17620-LBA8-C10	0	F10				

## PART NO. INDEX

PART NO.	VERSION	PAGE	PART NO.	VERSION	PAGE	PART NO.	VERSION	PAGE
<b>19000</b>			<b>23000</b>			28250-LEJ3-E10	1	E01
19510-KFB7-C00	0	E07	2301A-LCD4-C00	1	E05	28253-GBN2-C00	5	E01
1961A-KUDU-E10	2	E07	23100-KEC4-C00	2	E05	28255-GFS6-C00	5	E01
19625-KUDU-C00	1	E02	23100-KEC4-C0E	0	E05	28281-GBN2-C00	1	E01
1962A-KKE3-C00	0	E07	23200-GFY6-C00	3	E05	28300-LEJ3-E10	0	F15
1963A-LDF7-E10	1	E07	23220-KFBF-C00	1	E05	<b>30000</b>		
			23233-GCW3-C00	1	E05	30410-LFC4-E10	1	F19
<b>21000</b>			23237-GFY6-C00	1	E05	3051A-LLF5-C00	1	F19
21200-LEJ8-C00	2	E08	23238-GFY6-C00	1	E05	<b>31000</b>		
21395-LCD3-E90	0	E08	23411-KHB4-C00	0	E08	31100-LHA2-M30	3	E07
			23420-LCD3-C00	0	E08	31110-LFC3-E11	1	E07
<b>22000</b>			23431-KHB4-405	0	E08	31110-LHA2-M30	1	E07
22101-LCD3-C00	3	E05	23432-LEJ3-E10	0	E08	31120-LFC3-E10	0	E07
22102-KUDU-E80	1	E05	<b>28000</b>			31120-LHA2-M30	2	E07
22105-GFY6-C10	1	E05	28101-GFY6-C00	1	E06	31200-LDF7-E10	4	E06
22110-KUDU-E80	0	E05	28102-GFY6-C00	1	E06	31500-GFY6-C00	1	F11
22121-LFC4-315	0	E05	28110-GFY6-C10	1	E06	31600-LFC2-E11	0	F19
22121-LFC4-E10	2	E05	28120-GFY6-C00	0	E06	31601-LFC2-E10	1	F19
22131-GFY6-C00	3	E05	28120-GFY6-C10	1	E06	<b>32000</b>		
22132-KBN2-315	0	E05	2812A-GFY6-C10	2	E06	32100-LFC3-E10	1	F19
22132-KBN2-C00	3	E05	28211-KUDU-W10	4	E05			
22300-LCD4-C00	0	E05	2823A-KNBN-C00	1	E01			

## PART NO. INDEX

PART NO.	VERSION	PAGE	PART NO.	VERSION	PAGE	PART NO.	VERSION	PAGE
32411-LEJ3-E11	0	F19	34908-GGA7-C00	0	F02	37802-GGA7-C00	1	F10
32412-LEH3-C10	1	E04	34908-MKB9-C00	0	F02	3780A-LEJ2-E10	0	F10
32961-KUDU-C00	5	E04						
<b>33000</b>			<b>35000</b>			<b>38000</b>		
			35010-LFC2-E10	1	F19	38110-KHB4-E0A	0	F19
33100-LFC3-E12	1	F01	35151-LGB5-E10	1	F03	38301-GGS7-C00	3	F19
33108-LFC2-E10	0	F01	35152-KGBG-C00	0	F03			
33400-LFC3-E12	1	F17	3515A-LGB5-E10	3	F03	<b>42000</b>		
33402-LFC2-E10	1	F17	3515A-LGB5-EV0	0	F03			
33450-LFC3-E12	1	F17	35201-LGB5-E10	1	F03	42311-KHB4-C00	0	F16
33700-LFC3-E12	1	F18	35202-KGBG-900	3	F03	42312-LEJ2-E10	1	F16
33701-LFC3-E12	0	F18	3520A-LGB5-E11	0	F03	42601-LFC3-E10	1	F08
33703-LFC2-E10	1	F18	35340-KNBN-C00	1	F04	42710-LFC4-E91	1	F08
33705-LFC2-E10	1	F18	35350-KNBN-C00	1	F04	42753-0A01-C00	1	F07
33720-LEJ2-E10	0	F18	35400-LEJ3-E10	1	F19			
33731-KGB5-C00	2	F18	35850-KHD8-C00	1	F19	<b>43000</b>		
33741-KEBE-C00	0	F18						
<b>34000</b>			<b>37000</b>					
			37200-LFC3-E12	0	F02	43105-LFC4-305	1	F04
			37211-LFC2-E10	1	F02	43126-LFC4-E1A	1	F04
34300-KKE3-900	3	E09	37213-LFC2-E10	0	F02	43156-LFC3-E10	2	F16
34901-LDC8-E10	1	F01	37215-LFC2-E10	0	F02	43200-LFC4-E10	1	F04
34905-KPCP-C00	1	F18	37224-LFC2-E10	1	F02	43210-LFC4-E10	1	F04
34905-LBA8-E80	1	F17	37280-LEJ2-E0A	0	F02	43351-LFC3-E80	2	F08
34906-KPCP-900	0	F18				43500-LFC3-E10	0	F04



## PART NO. INDEX

PART NO.	VERSION	PAGE	PART NO.	VERSION	PAGE	PART NO.	VERSION	PAGE
<b>44000</b>			<b>50000</b>			<b>51000</b>		
44301-LEJ2-E10	4	F07	50100-LFC4-E10	0	F20	51400-LFC2-E80	0	F06
44301-LEJ2-E12	1	F07	50301-KGN7-C00	2	F20	51401-LEJ2-E10	0	F06
44311-LFC2-E10	2	F07	50302-2H68-C00	2	F20	51410-LEJ2-E10	0	F06
44601-LFC2-E10	2	F07	50306-1F96-C00	1	F06	51412-LEJ2-E10	0	F06
44620-KFLF-C00	1	F07	50326-LFC2-E10	1	F12	51420-LFC2-E10	1	F06
44680-4L10-C00	1	F07	50350-LFC3-B40	1	F20	51422-LEJ2-E10	0	F06
44710-LFC4-E91	0	F07	50500-LFC3-E10	3	F15	51427-LEJ2-E10	0	F06
44800-LKD1-E10	2	F07	50500-LFC4-E10	3	F15	51428-LEJ2-E10	0	F06
44830-LCD3-C00	0	F02	50502-LDF7-C00	1	F15	51429-LFC3-E10	0	F06
			50504-LEJ3-E11	1	E01	51437-LEJ2-E10	0	F06
<b>45000</b>			50505-LAD9-C00	1	F15	51500-LFC2-E80	0	F06
			50505-LCB9-C00	1	F15	51520-LFC2-E10	0	F06
45105-LEJ2-306	0	F04	50505-LDC8-E10	2	F20			
45121-LFC2-E80	1	F07	50530-LFC2-E10	3	F15	<b>52000</b>		
45126-LEJ2-E10	3	F04	50531-KEB7-C00	1	F15			
45156-KNBN-C00	1	F06	50535-KEB7-W10	3	F15	52000-LFC3-E10	3	F16
45156-LCB9-B20	0	F06	50550-KEB7-C00	1	F15	52400-LFC4-E10	0	F16
45200-LFC2-E10	1	F04	50611-LFC2-E10	2	F20	52400-LFC4-E10	3	F16
4550A-LFC2-E1A	1	F04	50612-LFC2-E10	1	F20			
45517-KFAF-910	1	F04	50613-LFC2-E10	1	F20	<b>53000</b>		
			50650-LFC2-E10	3	F18			
						53100-LFC3-E10	3	F03
						53102-LFC3-E10	2	F03

## PART NO. INDEX

PART NO.	VERSION	PAGE	PART NO.	VERSION	PAGE	PART NO.	VERSION	PAGE
53105-LFC3-E10	2	F03	64303-LFC2-E10	1	F05			
53125-GEN5-C00	1	F03	64305-LFC2-E10	1	F05	<b>80000</b>		
53140-LEJ2-E10	0	F03	64306-LFC2-E10	1	F05			
53166-LEJ2-E10	0	F03	64307-LFC2-E10	1	F05	80101-LFC3-E10	0	F18
53175-KTCT-C00	0	F04	64308-LFC2-E10	1	F05	80101-LFC3-E10	1	F18
53178-KNBN-C00	0	F04	64310-LFC2-E11	0	F05	80105-LFC2-E10	1	F18
53200-LFC2-E10	1	F06	64316-LCB9-C10	4	F05	8010A-LFC3-E10	1	F18
53204-LFC2-E10	1	F03	64316-LCB9-C10	5	F05	80151-LFC2-E10	1	F12
53205-LFC2-E10	1	F03	64316-LCB9-C10	4	F12			
53206-LFC2-E10	1	F03	64316-LCB9-C10	5	F12	<b>81000</b>		
53211-GFY6-C00	1	F06	64350-LFC2-E11	0	F05			
53212-2L50-C00	1	F06	64360-LFC2-E11	0	F05	81131-LFC2-E10	1	F05
53214-2L50-C00	5	F06				81132-LCB9-C10	1	F05
53215-2L50-C00	1	F06	<b>75000</b>			81132-LFC2-E10	1	F05
<b>61000</b>			75581-6C73-C00	1	F05	81133-KNBN-C00	1	F05
61100-LFC2-E10	1	F06	<b>77000</b>			81134-KGBG-C00	2	F05
61110-LFC2-E10	0	F06				81134-LFC2-E10	1	F05
<b>64000</b>			77200-LFC3-E12	0	F09	81141-LFC2-E10	1	F05
			77232-KCAC-C00	2	F12	81142-KFA6-C00	1	F05
			77235-KGC4-C00	2	F19	81146-LFC2-E10	1	F05
64210-LFC2-E10	1	F03	77239-GFY6-C00	0	F19	81147-LFC2-E10	1	F05
64211-LFC2-E10	1	F03	77240-LFC2-E10	5	F19	81200-LFC2-E10	1	F12
64301-LFC2-E10	2	F05				81250-LFC2-E10	0	F12
64302-LFC2-E10	1	F05				81251-LEJ3-E10	0	F12

## PART NO. INDEX

PART NO.	VERSION	PAGE	PART NO.	VERSION	PAGE	PART NO.	VERSION	PAGE
<b>83000</b>			<b>88000</b>			90033-GFY6-C10	2	E02
83500-LFC2-E10	1	F12	88110-LEB5-C10	2	F03	90105-KCR3-001	3	F07
83510-LFC2-E10	1	F12	88110-LEB5-C11	2	F03	90105-KCR3-001	3	F08
83600-LFC2-E10	1	F12	88120-LEB5-C10	1	F03	90106-GEN5-901	1	F03
83610-LFC2-E10	1	F12	88120-LEB5-C11	2	F03	90106-KFC2-900	2	F03
83750-LFC2-E10	1	F12				90106-LGB6-E10	1	F20
<b>86000</b>			<b>89000</b>			90107-KUDU-900	5	F20
86102-LEJ2-E00	2	F22	89010-KGBG-C00	1	F09	90108-KFA6-E00	1	F15
86202-LFC4-E80	0	F22	89020-KKC4-900	1	F09	90110-GLW0-C00	0	F05
			89020-KKC4-C00	1	F09	90110-KEB7-C00	1	F06
<b>87000</b>			<b>90000</b>			90110-LCD4-E00	1	F14
87224-LFC4-EY0	0	F22	90001-GBHB-C00	1	E03	90111-1G87-C00	6	F12
87505-LFC2-E10	2	F22	90005-KAW1-901	1	E03	90111-1G87-C01	1	F12
87541-GAR1-C01	0	F22	9000A-KTDT-C03	0	E01	90112-KRDR-C00	1	F19
87541-GAR1-C01	1	F22	9000A-LEJ2-E10	0	E01	90114-GDM4-C00	0	F13
87541-LFC4-E10	0	F22	90012-3C33-C00	1	E02	90116-LEJ2-E10	0	F06
87542-GAR1-C01	2	F22	90021-GFY6-C10	0	F14	90121-GFY6-C00	1	F20
87560-GFY6-C01	3	F22	90021-GFY6-C11	0	F14	90131-GLW0-C00	1	F04
			90031-KUDU-C01	0	E01	90131-KFAF-C00	0	F04
			90032-KUDU-C00	5	E01	90145-9A61-C00	1	F04
			90033-GFY6-C00	2	E02	90202-1G87-C00	1	E05
						90206-0A01-C00	2	E02
						90301-GFY6-C00	2	F14
						90302-GFY6-C00	2	F15
						90302-GFY6-C10	1	F03
						90302-GFY6-C10	1	F06

## PART NO. INDEX

PART NO.	VERSION	PAGE	PART NO.	VERSION	PAGE	PART NO.	VERSION	PAGE
90302-LLB1-C00	2	F03	90652-LCA4-C10	6	F03	91307-0E35-W10	1	E04
90302-LLB1-C01	1	F03	90652-LCA4-C10	6	F18	91351-6B42-C00	1	E05
90302-SDA4-C00	2	F05	90656-KUDU-900	0	F19			
90302-SDA4-C00	2	F12	90683-GAR1-C00	4	F05	<b>92000</b>		
90302-SDA4-C01	0	F05	90701-HFB6-C00	0	E03			
90302-SDA4-C01	0	F12	90701-HFB6-C00	0	E06	92101-05012-0H	2	E07
90304-4H38-C00	1	E02				92900-06060-0B	2	E02
90304-GHE8-C00	1	F03	<b>91000</b>					
90304-GHE8-C00	1	F20				<b>93000</b>		
90305-GHK8-C00	2	F06	91003-KDS4-C00	1	E08			
90305-KNBN-C00	1	F08	91009-GLE0-C00	1	E08	93404-06012-07	5	F12
90306-KLF0-C00	1	F07	91014-LLJ3-C00	1	F06	93404-06012-07	5	F13
90412-3K29-C00	5	E01	91015-LLJ3-C00	1	F06	93404-06012-07	5	F18
90426-KNBN-C00	1	E05	91104-KGN7-671	0	E01	93404-06012-07	5	F20
90426-KNBN-C01	1	E05	91201-GFY6-C00	1	E01	93404-06016-07	1	F05
90440-1F66-C00	1	E07	91202-KKJ9-C00	5	E01	93404-06016-07	1	F18
90441-GFY6-C00	1	E05	91211-KEBE-C00	1	E05	93404-06016-07	1	F20
90451-GBN2-C00	10	E01	91251-LEJ2-E10	0	F06	93404-06020-07	4	F05
90465-MDC4-C00	1	E02	91252-0L30-004	0	F07	93404-06022-07	0	F06
90474-3C33-C00	1	E01	91252-0L30-C00	0	F07	93500-04010-08	0	E09
90501-KNBN-C00	1	F08	91254-LEJ2-E10	0	F06	93500-04014-1A	0	E09
9052A-GFY6-C00	5	E01	91255-LDC8-E10	5	E08	93700-05018-0H	1	F02
9052A-PUA3-B50	1	E01	91258-4L10-007	1	F07	93891-05016-08	0	E09
90544-LEJ2-E10	0	F06	91301-0H28-C00	1	E02	93892-04008-18	0	E09
90545-3L00-C00	2	F04	91302-0A01-C00	10	E04	93903-25480	1	F13
90652-GFY6-C00	1	F13	91306-1E05-C00	1	E03	93903-34280	0	F05

## PART NO. INDEX

PART NO.	VERSION	PAGE	PART NO.	VERSION	PAGE	PART NO.	VERSION	PAGE
93903-34320	0	F02	94050-12080	1	E05	9500A-35185-20	0	E09
93903-34380	6	F03	94050-12080	1	E07	95012-LEJ2-E10	0	F11
93903-34380	6	F05	94101-06200	1	F14	95701-06008-08	0	F13
93903-34380	6	F12	94101-06700	1	F14	95701-06012-08	3	E04
93903-34380	6	F17	94101-10800	1	F20	95701-06012-08	3	F06
93903-34380	6	F18	94111-06800	1	E09	95701-06012-08	3	F10
93903-35220	4	F01	94111-06800	1	F13	95701-06012-08	3	F19
93903-35280	1	F02	94111-06800	1	F14	95701-06014-08	0	F19
93903-35280	1	F03	94301-10160	4	E01	95701-06016-08	1	F20
93903-35280	1	F18	94301-10160	4	E02	95701-06022-07	3	F15
93903-45380	0	F20	94301-10160	4	E03	95701-06025-00	1	E02
93903-GFY6-C00	2	F05	94301-10160	4	E04	95701-06025-08	2	E02
93903-GFY6-C00	2	F12	94301-10200	4	E01	95701-06035-08	1	E02
93903-GFY6-C00	2	F18	94510-20000	1	E08	95701-06040-00	1	E02
93903-GFY6-C01	1	F05	94511-14000	10	E01	95701-06050-08	1	E02
93903-GFY6-C01	1	F12	94591-25000	1	E09	95701-08012-08	2	E01
93903-GFY6-C01	1	F18	94591-25000	1	F18	95701-08012-08	2	F19
			94591-LDC8-E10	1	E01	95701-08012-08G	1	E01
<b>94000</b>			94601-15000	10	E03	95701-08012-08G	1	F19
			94608-LEJ2-E10	0	F06	95701-08028-08	0	F20
94050-05080	6	F18				95701-08040-08	3	F12
94050-06080	2	E02	<b>95000</b>			95701-08040-08	3	F20
94050-06080	2	E06				95701-08045-07	0	F16
94050-06080	2	F09	95002-02120	1	F13	95701-08050-07	1	F16
94050-06080	2	F19	95002-50000	1	F13	95701-LDC8-E10	0	F19
94050-08080	4	E02	95002-KKD6-C00	1	F21	95701-LDC8-E11	0	F19

## PART NO. INDEX

PART NO.	VERSION	PAGE	PART NO.	VERSION	PAGE	PART NO.	VERSION	PAGE
95701-LGR5-E10	1	F14	96001-06028-08	1	E04			
95801-08032-08	1	F16	96001-06045-08	1	E01			
95801-08040-08	4	F06	96001-06050-08	1	E01			
95801-10025-08	0	F15	96001-06100-08	2	E02			
95801-10035-08	1	F16	96001-06100-08	2	E04			
			96001-06110-08	1	E04			
<b>96000</b>			96100-60020-00	1	E08			
			96100-62020-00	1	E01			
96001-06008-07	1	F14	96100-63030-00	1	E01			
96001-06010-02	1	F14	96120-63010-10	0	F07			
96001-06012-00	0	F16						
96001-06012-08	3	E01	<b>98000</b>					
96001-06012-08	3	E04						
96001-06012-08	3	E06	98056-5771R-00	1	E02			
96001-06012-08	3	F18	98200-10700	2	F11			
96001-06012-08G	0	E01	98200-11000	1	F11			
96001-06012-08G	0	E04						
96001-06012-08G	0	E06						
96001-06012-08G	0	F18						
96001-06016-08	6	E06						
96001-06016-08	6	E07						
96001-06016-08	6	F19						
96001-06018-08	1	E07						
96001-06022-08	2	E07						
96001-06025-08	4	E06						
96001-06025-08	4	E07						