

# PARTS CATALOGUE



## SCOOTERS

KL25GA(GR)

AGILITY 125i CBS EURO 4



Release Date : 2020/05/14  
Print Date : 2020/11/24

## ABOUT THIS PARTS LIST

- This parts list is compiled all service parts for model KL25GA(GR).
- Any difference between color chart and motorcycle will be revised according to motorcycle.
- The Mark:
  1. Marking "\*\*\*" must add color code in the end before ordering parts.
  2. Marking "#" are parts with modification, Please find the details from e-Parts system.
- When modification or additions to this parts list are made a revised edition at an appropriate time.



# CONTENTS

● ABOUT THIS PARTS LIST .....	1
● COLOR CHART OF KL25GA(GR) .....	3
● CONTENTS-ENGINE GROUP .....	6
● CONTENTS-FRAME GROUP .....	7
● ENGINE PARTS LIST .....	10
● FRAME PARTS LIST .....	42
● PART NO. INDEX .....	102

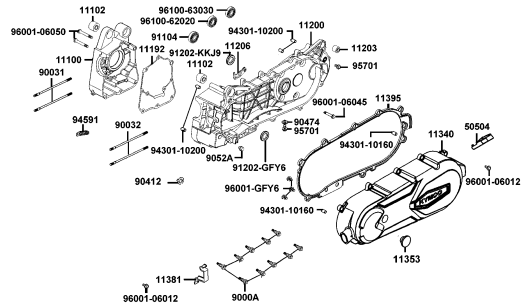
NO	MODEL			COLOR CHART OF KL25GA(GR)			
	PHOTO NO			NO. 1	NO. 2	NO. 3	NO. 4
	BASIC COLOR			Dark Gray Metallic		white/black	Pearly White
	CODE			Dark Gray Metallic		white/black	Pearly White
	PARTS NAME	PARTS NO.	VERSION	NH230MA	NH001SA	NH001SA	NH193PA
1	PTOTECTOR MUFFLER	18318-LCD3-C00	2	HJA			
2	MUFFLER COMP EXH	18325-LFC3-E10	2				
3	LEVER L STRG HANDLE	53178-KNBN-C00	0	M3A			
4	COVER HANDLE FR	53205-LFC2-E10	1				
5	FENDER FR	61100-LFC2-E10	1	HKP	N1P	NVP	
6	"COVER, FRONT"	64301-LFC2-E10	2				
7	CAP FR COVER	64303-LFC2-E10	1				
8	COVER R BODY	83500-LFC2-E10	1				
9	COVER L BODY	83600-LFC2-E10	1				
10	COVER RR CENTER	83750-LFC2-E10	1				
11	COVER BATTERY	50326-LFC2-E10	1				
12	COVER UNDER	50613-LFC2-E10	1				
13	COVER METER	53204-LFC2-E10	1				
14	COVER HANDLE RR	53206-LFC2-E10	1				
15	MOLD FRONT	64302-LFC2-E10	1	N1R			
16	SKIRT R SIDE	64305-LFC2-E10	1				
17	SKIRT L SIDE	64306-LFC2-E10	1				
18	GRILLE R FR MOLDING	64307-LFC2-E10	1				
19	GRILLE L FR MOLDING	64308-LFC2-E10	1				
20	FLOOR PANEL	64310-LFC2-E11	0				
21	PLUG FLOOR	64316-LCB9-C10	5				
22	COVER R STEP	64350-LFC2-E11	0				
23	COVER L STEP	64360-LFC2-E11	0				
24	FENDER RR TIRE	80100-LFC3-E10	1				
25	FENDER RR INNER	80101-LFC3-E10	0				
DATE OF STARTING-SALES							
DATE OF END-SALES							

NO	MODEL			COLOR CHART OF KL25GA(GR)			
	PHOTO NO			NO. 1	NO. 2	NO. 3	NO. 4
	BASIC COLOR			Dark Gray Metallic		white/black	Pearly White
	CODE			Dark Gray Metallic		white/black	Pearly White
	PARTS NAME	PARTS NO.	VERSION	NH230MA	NH001SA	NH001SA	NH193PA
26	FENDER REAR	80105-LFC2-E10	1	N1R			
27	COVER CENTER	80151-LFC2-E10	1				
28	LEG SHIELD	81131-LFC2-E10	1				
29	LID LEG SHIELD	81132-LCB9-C10	1				
30	CAP LEG SHIELD UP	81132-LFC2-E10	1				
31	PLATE INNER BOX	81134-LFC2-E10	1				
32	LID INNER BOX	81141-LFC2-E10	1				
33	BOX LUGGAGE	81250-LKD2-E10	0				
34	GRILL R SIDE	83510-LFC2-E10	1				
35	GRILL L SIDE	83610-LFC2-E10	1				
36	CUSHION ASSSY RR	52400-LKD2-E10	0	N1S			
37	"COVER, LEFT"	11340-LEJ3-E11	0	NEA			
38	MIRROR ASSY R BACK	88110-LEB5-C10	2	NEP			
39	MIRROR ASSY L BACK	88120-LEB5-C10	1	NEP			
40	FORK ASSY L FR	51500-LFC3-E10	0	NGA			
41	WHEEL COMP RR CAST	42601-LFC3-E10	1	NJA			
42	WHEEL CAST FR	44601-LFC2-E10	2				
43	CARRIER RR	81200-LFC2-E10	1				
44	SEAT ASSY	77200-LFC3-E12	0	T01			
45	MARK KYMCO	86102-LEJ2-E00	2				
46	CAUTION ANTI	87224-LEJ3-EZ0	1				
47	LABEL TIRE	87505-LFC2-E10	2				
48	CAUTION SIDE STAND	87541-GAR1-C01	1				
49	LABEL OIL CAP	87541-KUDU-E00	1				
50	MARK MAINT CAUTION	87542-GAR1-C01	2				
DATE OF STARTING-SALES							
DATE OF END-SALES							

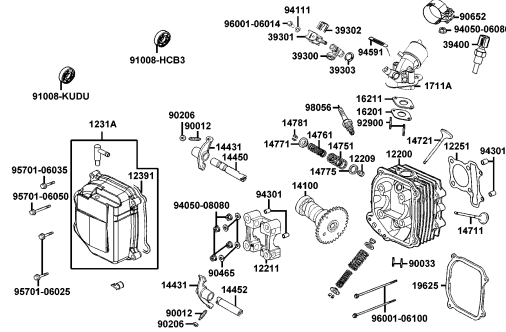
NO	MODEL			COLOR CHART OF KL25GA(GR)			
	PHOTO NO			NO. 1	NO. 2	NO. 3	NO. 4
	BASIC COLOR			Dark Gray Metallic		white/black	Pearly White
	CODE			Dark Gray Metallic		white/black	Pearly White
	PARTS NAME	PARTS NO.	VERSION	NH230MA	NH001SA	NH001SA	NH193PA
51	MARK DRIVE CAUTION	87560-GFY6-E11	3	T01			
52	EMB BODY COVER	86202-LFC3-E11	0	T02			
DATE OF STARTING-SALES							
DATE OF END-SALES							

# CONTENTS - ENGINE GROUP

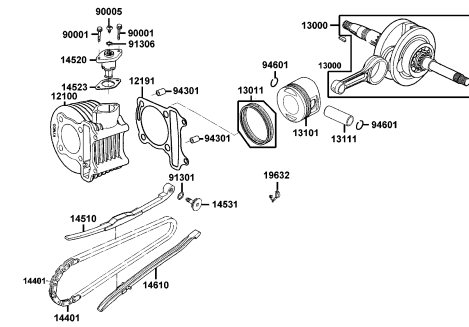
## E01 Crank Case



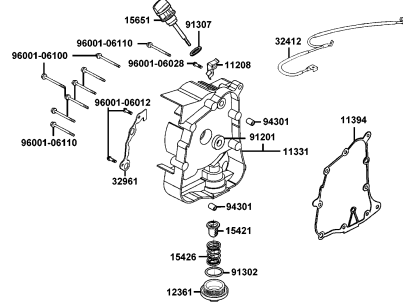
## E02 Cylinder Head



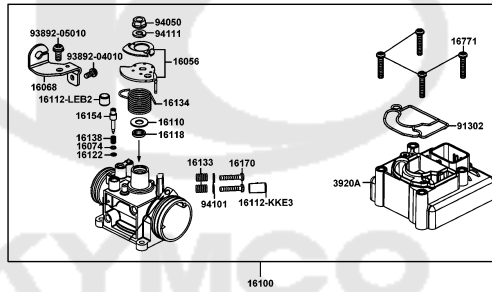
## E03 Cylinder Piston Crankshaft



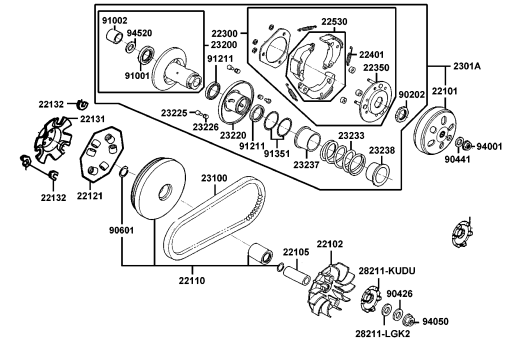
## E04 Right Crankcase Cover



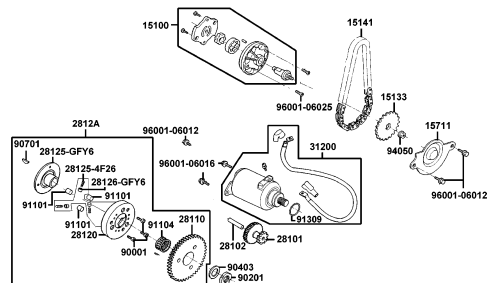
## E05 THROTTLE BODY ASSY



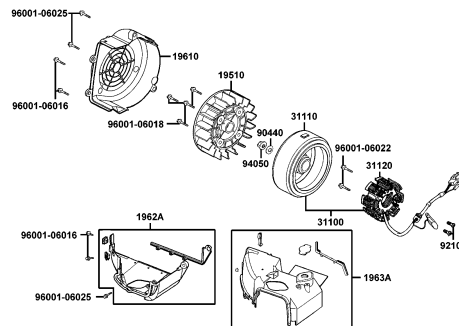
## E06 Driven Pulley



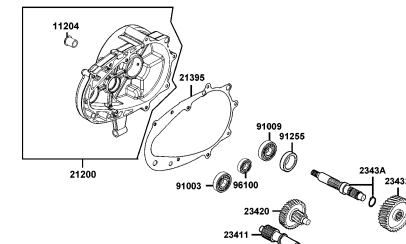
## E07 Starting Motor Oil Pump



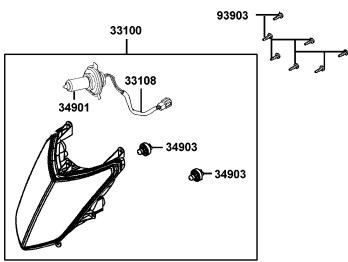
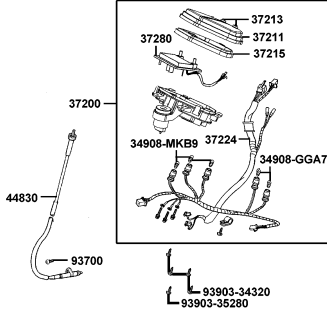
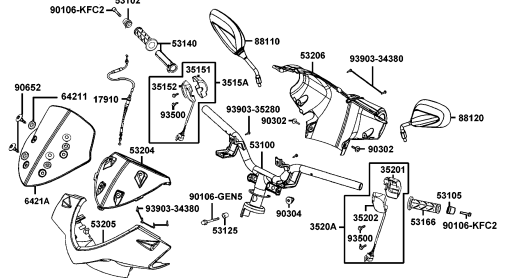
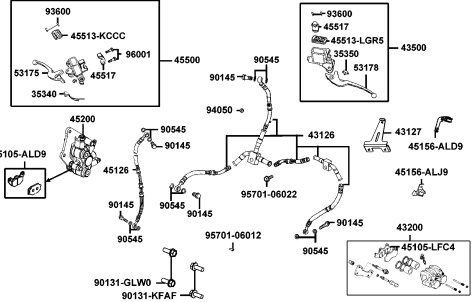
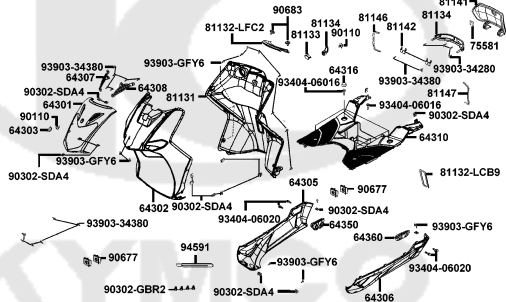
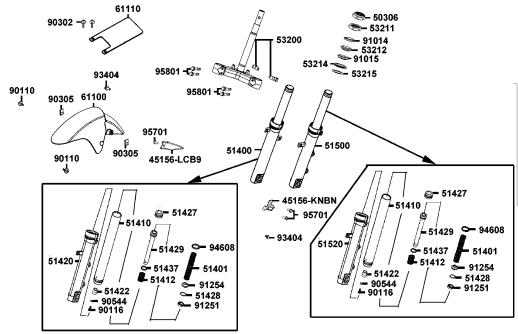
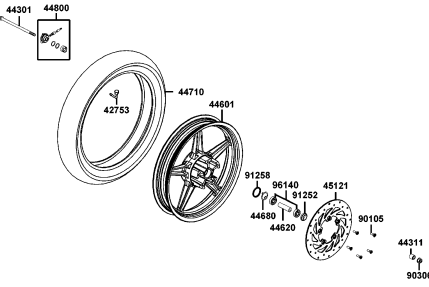
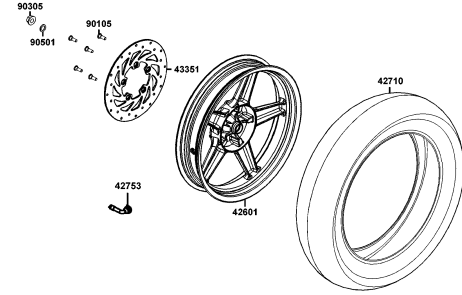
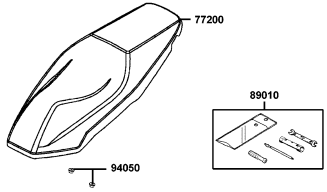
## E08 Fan Cover Generator



## E09 Transmission

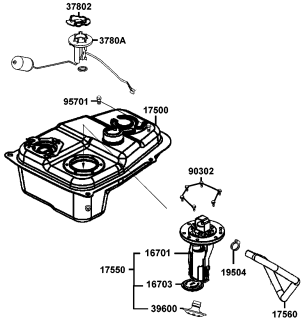
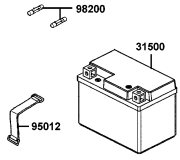
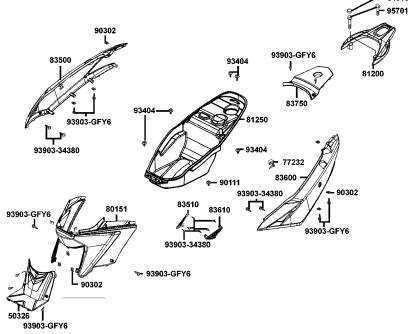
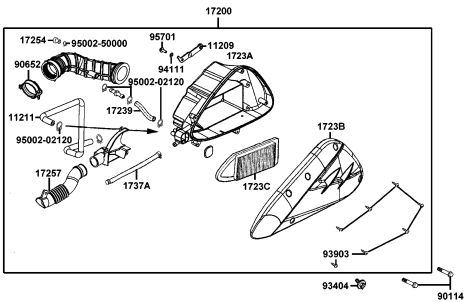
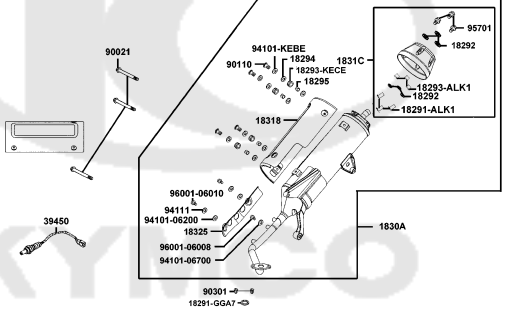
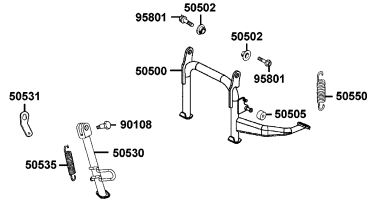
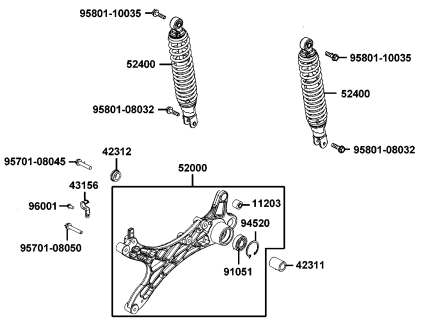
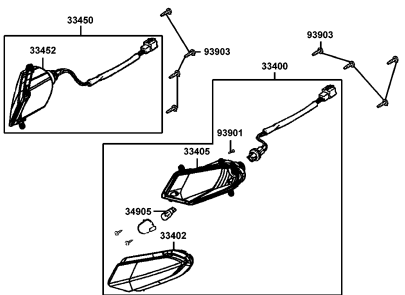
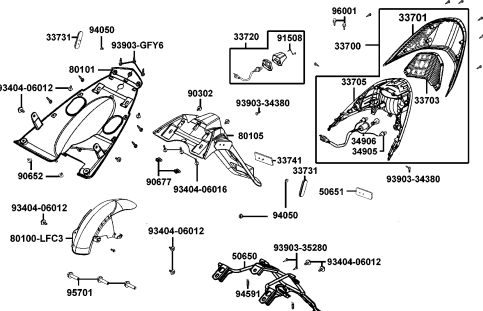


# CONTENTS - FRAME GROUP

<p><b>F01</b>    Head Light</p> 	<p><b>F02</b>    Speedometer</p> 	<p><b>F03</b>    Handle Steering Handle Cover</p> 
<p><b>F04</b>    Brake Master Cylinder</p> 	<p><b>F05</b>    Front Cover Front Fender</p> 	<p><b>F06</b>    Stem Steering Front Cushion</p> 
<p><b>F07</b>    Front Wheel</p> 	<p><b>F08</b>    Rear Wheel</p> 	<p><b>F09</b>    Seat</p> 



# CONTENTS - FRAME GROUP

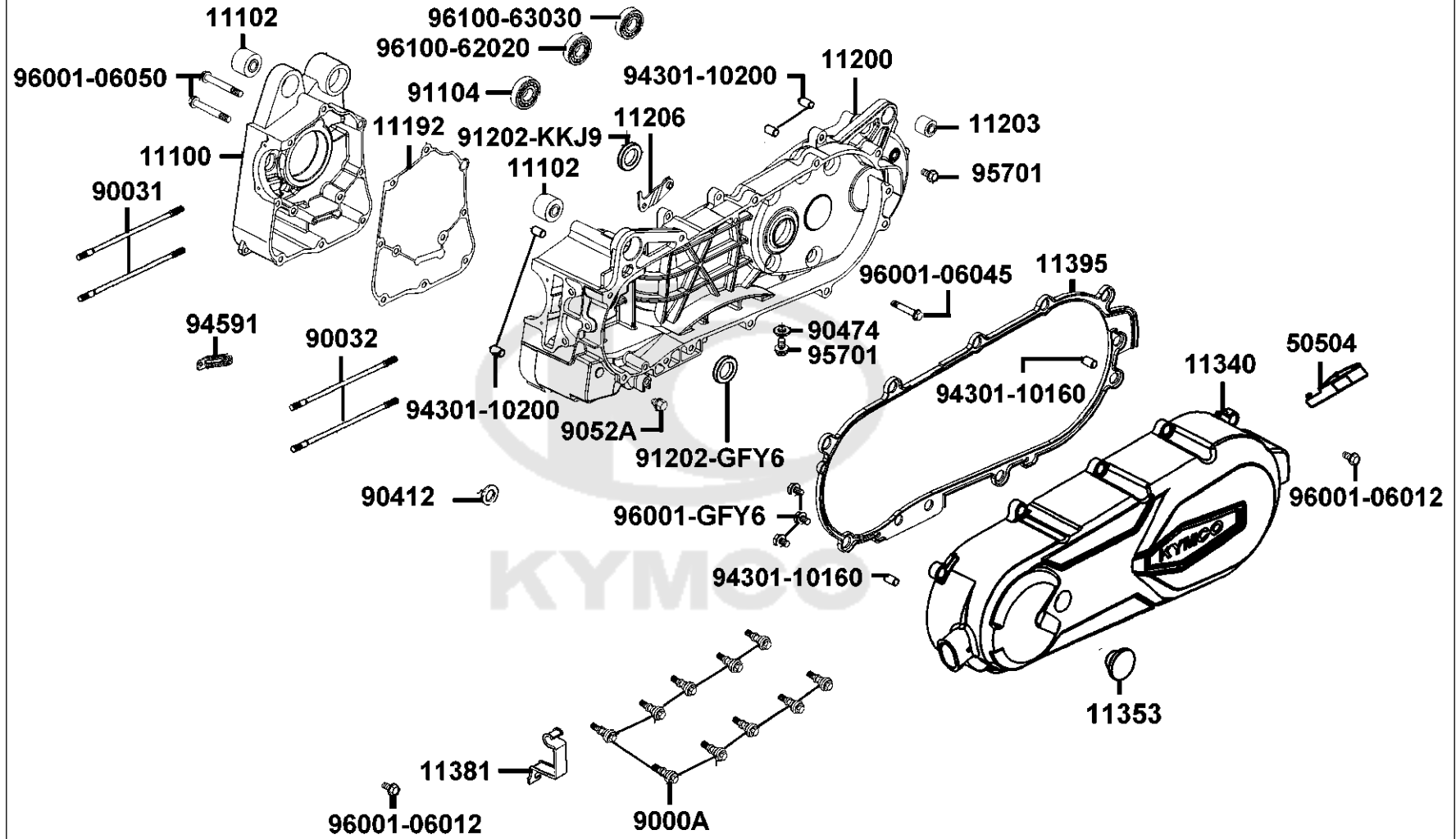
F10 Fuel Tank	F11 Battery	F12 Body Cover Luggage Box
		
		
		

# CONTENTS - FRAME GROUP

F19 Wire Harness	F20 Frame Body	F21 CANISTER ASSY TUBE
<b>F22 Emblem Stripe</b>		

E01

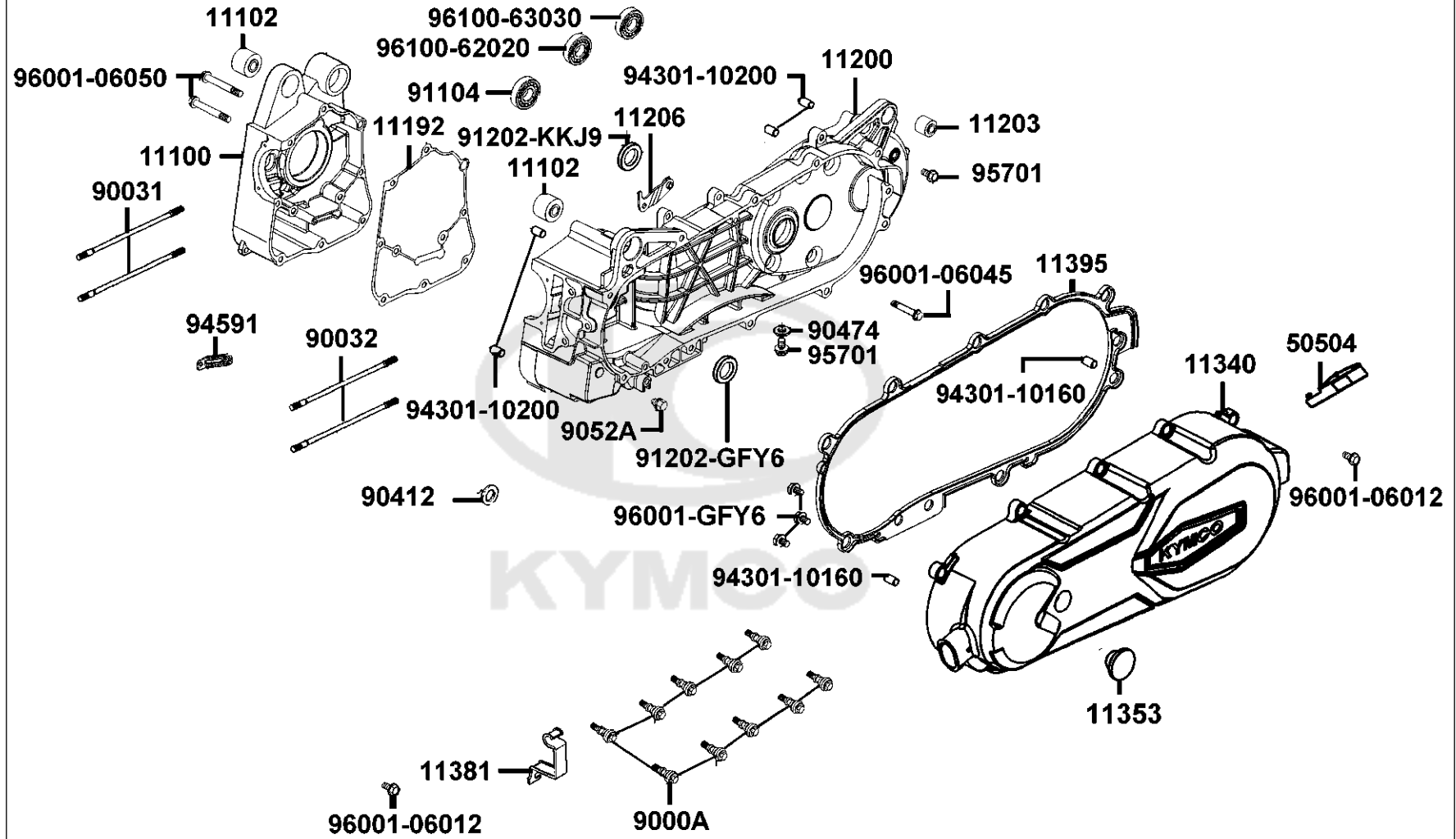
Crank Case



Sales mark	Ref no	Part no	Description	Reg description	Regd no	E01
	11100	11100-KUDU-C00	CRANK CASE COMP RIGHT	CRANK CASE COMP RIGHT	1	
	11102	11102-1G87-C00	RUB BUSH ENG HANGER	RUB BUSH ENG HANGER	1	
	11192	11192-KUDU-E90	GASKET CRANK CASE @ A	GASKET CRANK CASE @ A	1	
	11200	11200-LCD3-C00	CRANK CASE COMP L	CRANK CASE COMP L	1	
	11203	11203-GGC7-W10	UNDER RUBBER BUSH REAR CUSHION	UNDER RUBBER BUSH REAR CUSHION	1	
	11206	11206-LCD3-C00	STAY A RR FENDER	STAY A RR FENDER	1	
**	11340	11340-LEJ3-E11	"COVER, LEFT"	"COVER, LEFT"	1	
	11353	11353-LEA6-C00	"RUBBER PLUG, L COVER KICK"	"RUBBER PLUG, L COVER KICK"	1	
	11381	11381-KHB4-C00	"CLAMPER, THROTTLE CABLE"	"CLAMPER, THROTTLE CABLE"	1	
	11395	11395-KHB4-C00	GASKET L COVER @A	GASKET L COVER @A	1	
	50504	50504-LEJ3-E11	STAND MAIN STOPPER	STAND MAIN STOPPER	1	
	9000A	9000A-KTDT-C03	BOLT ASSY SPECIAL 6*29.5	BOLT ASSY SPECIAL 6*29.5	10	
	9000A	9000A-LEJ2-E10	BOLT ASSY SPECIAL 6*27	BOLT ASSY SPECIAL 6*27	10	
	90031	90031-KUDU-C01	BOLT A STUD 8*200.5	BOLT A STUD 8*200.5	1	
	90032	90032-KUDU-C01	BOLT B STUD 8*208.5	BOLT B STUD 8*208.5	1	
	90412	90412-3K29-C00	WASHER THRUST 10MM	WASHER THRUST 10MM	1	
	90474	90474-3C33-C00	WASHER 8MM(T*2)	WASHER 8MM(T*2)	1	
	9052A	9052A-PUA3-B50	BLOT ASSY DRAIN PLUG	BLOT ASSY DRAIN PLUG	1	
	91104	91104-KGN7-671	BRG BALL RADIAL 6204	BRG BALL RADIAL 6204	1	
	91202-GFY6	91202-GFY6-C00	OIL SEAL 19.8*30*5	OIL SEAL 19.8*30*5	1	

E01

Crank Case

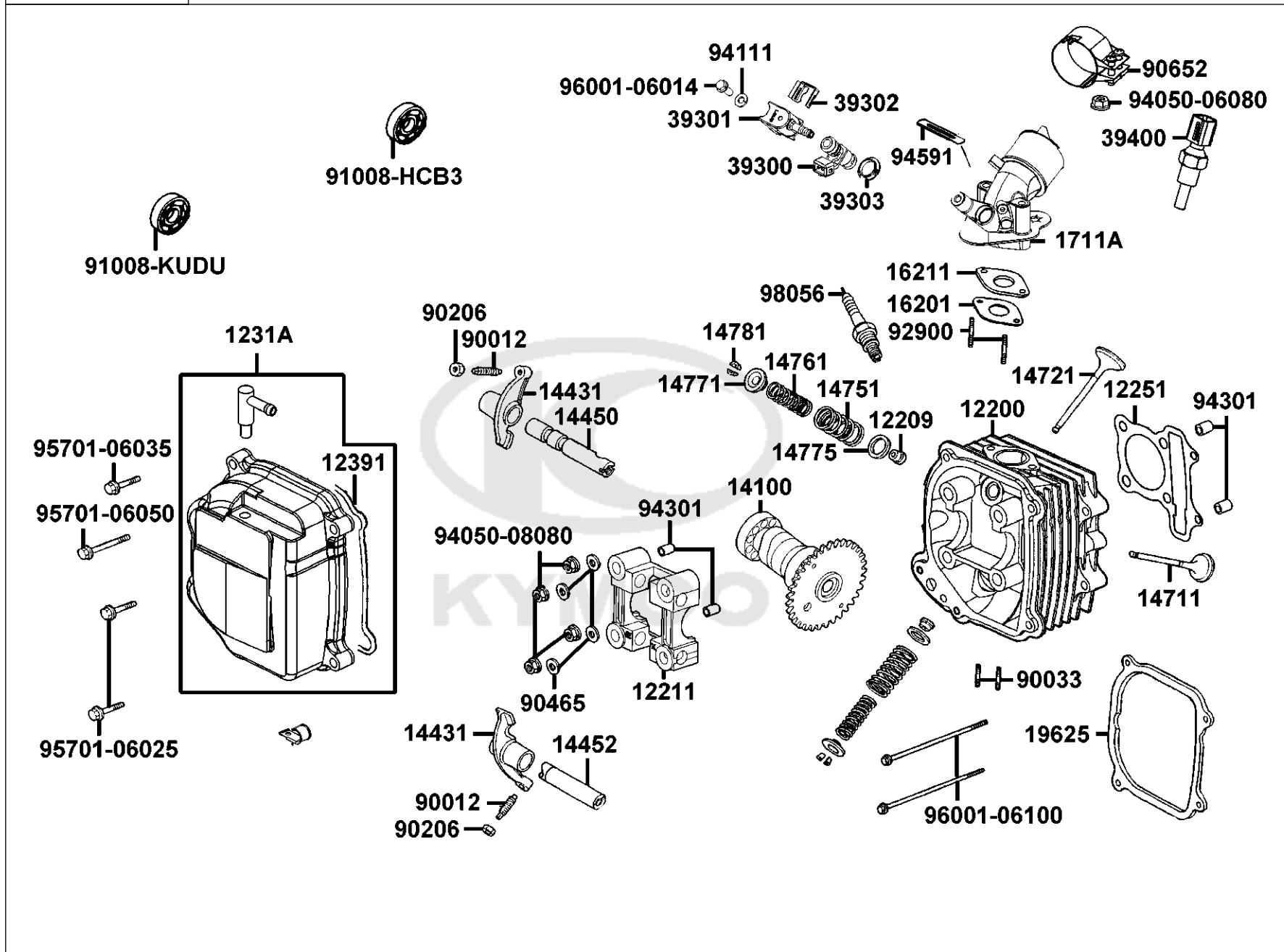


Sales mark	Ref no	Part no	Description	Reg description	Regd no	E01
	91202-KKJ9	91202-KKJ9-C00	OIL SEAL 20*32*6	OIL SEAL 20*32*6	1	
	94301-10160	94301-10160	DOWEL PIN 10*16	DOWEL PIN 10*16	4	
	94301-10200	94301-10200	DOWEL PIN 10*20	DOWEL PIN 10*20	1	
	94591	94591-LDC8-E10	CLIP BIND	CLIP BIND	1	
	95701	95701-08012-08G	BOLT FLANGE 8*12 (C)	BOLT FLANGE 8*12 (C)	2	
	96001-06012	96001-06012-08G	BOLT FLANGE SH 6*12 (C)	BOLT FLANGE SH 6*12 (C)	2	
	96001-06045	96001-06045-08G	BOLT FLANGE SH 6*45 (C)	BOLT FLANGE SH 6*45 (C)	10	
	96001-06050	96001-06050-08G	BOLT FLANGE	BOLT FLANGE	2	
	96001-GFY6	96001-GFY6-C01	BOLT SPECIAL 5X10	BOLT SPECIAL 5X10	3	
	96100-62020	96100-62020-00	BEARING BALL RADIAL 6202	BEARING BALL RADIAL 6202	1	
	96100-63030	96100-63030-00	BEARING BALL RADIAL 6303	BEARING BALL RADIAL 6303	1	



E02

Cylinder Head

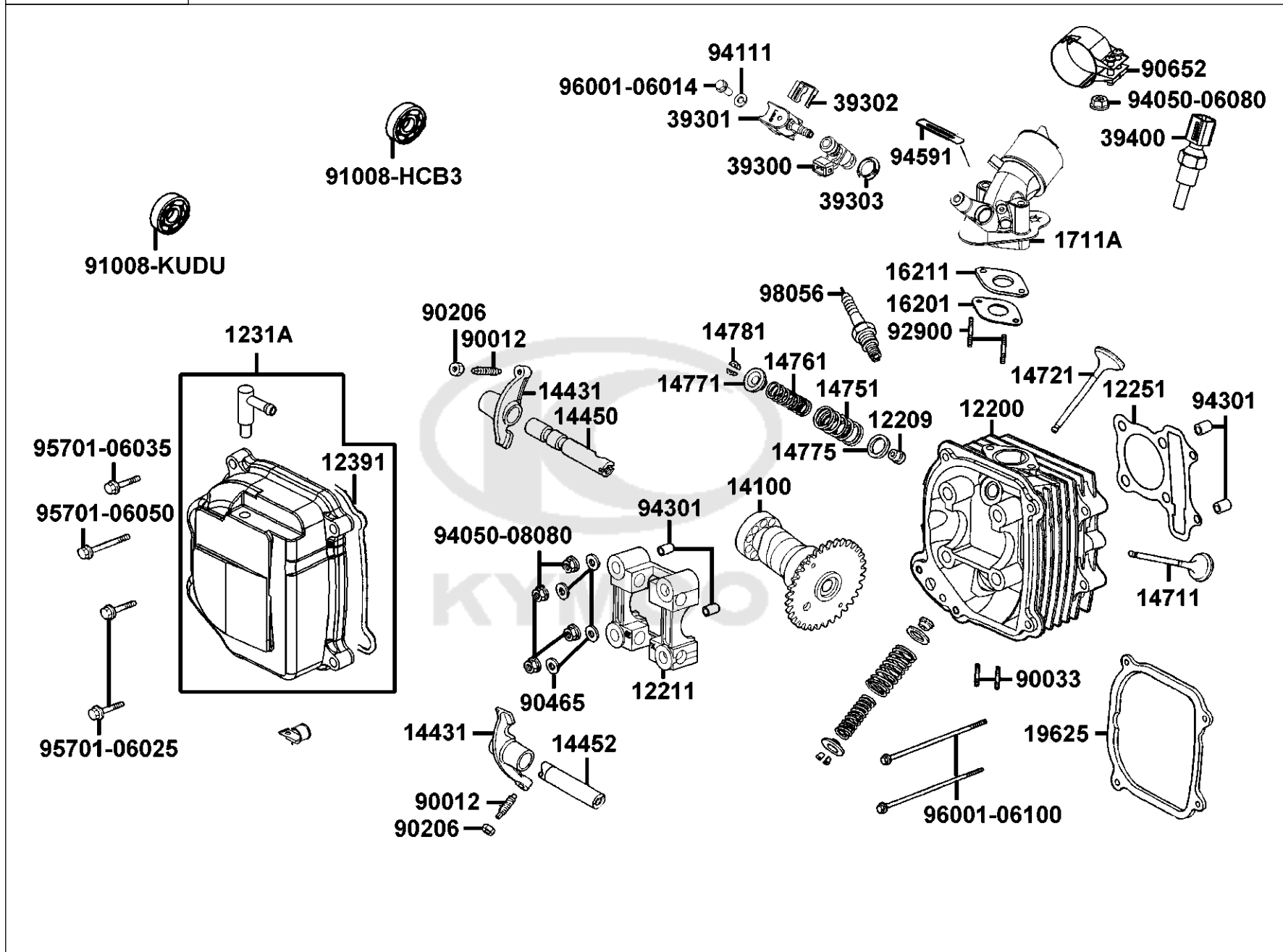


Sales mark	Ref no	Part no	Description	Reg description	Regd no	<b>E02</b>
12200		12200-KKE3-900	HEAD COMP CYLINDER	HEAD COMP CYLINDER	1	
12209		12209-GDB4-C00	SEAL VALVE STEM	SEAL VALVE STEM	2	
12211		12211-KUDU-W10	HOLDER CAM SHAFT COMP	HOLDER CAM SHAFT COMP	1	
12251		12251-GFY6-C00	GASKET CYLINDER HEAD	GASKET CYLINDER HEAD	1	
1231A		1231A-ALL1-C00	COVER ASSY HEAD	COVER ASSY HEAD	1	
12391		12391-GFY6-C00	GASKET HEAD COVER	GASKET HEAD COVER	1	
14100		14100-AAA2-C00	CAMSHAFT	CAMSHAFT	1	
14431		14431-KUDU-W10	ARM VALVE ROCKER	ARM VALVE ROCKER	1	
14450		14450-GFY6-W10	SHAFT COMP IN ROCKER ARM	SHAFT COMP IN ROCKER ARM	1	
14452		14452-GFY6-W10	SHAFT EXH ROCKER ARM	SHAFT EXH ROCKER ARM	1	
14711		14711-KUDU-C00	VALVE INLET	VALVE INLET	1	
14721		14721-KUDU-C00	VALVE EXHAUST	VALVE EXHAUST	1	
14751		14751-KUDU-C10	SPRING VALVE OUTER	SPRING VALVE OUTER	2	
14761		14761-KUDU-C10	SPG VALVE INNER	SPG VALVE INNER	2	
14771		14771-GDB4-C00	RETAINER VALVE SPRING	RETAINER VALVE SPRING	2	
14775		14775-MFA6-C00	SEAT VALVE SPG OUTER	SEAT VALVE SPG OUTER	2	
14781		14781-MFA6-C00	COTTER VALVE	COTTER VALVE	2	
16201		16201-GFY6-E90	GASKET CARB INSULATOR	GASKET CARB INSULATOR	1	
16211		16211-GFY6-W10	INSULATOR CARB	INSULATOR CARB	1	
1711A		1711A-LGL3-C00	PIPE ASSYINLET	PIPE ASSYINLET	1	



E02

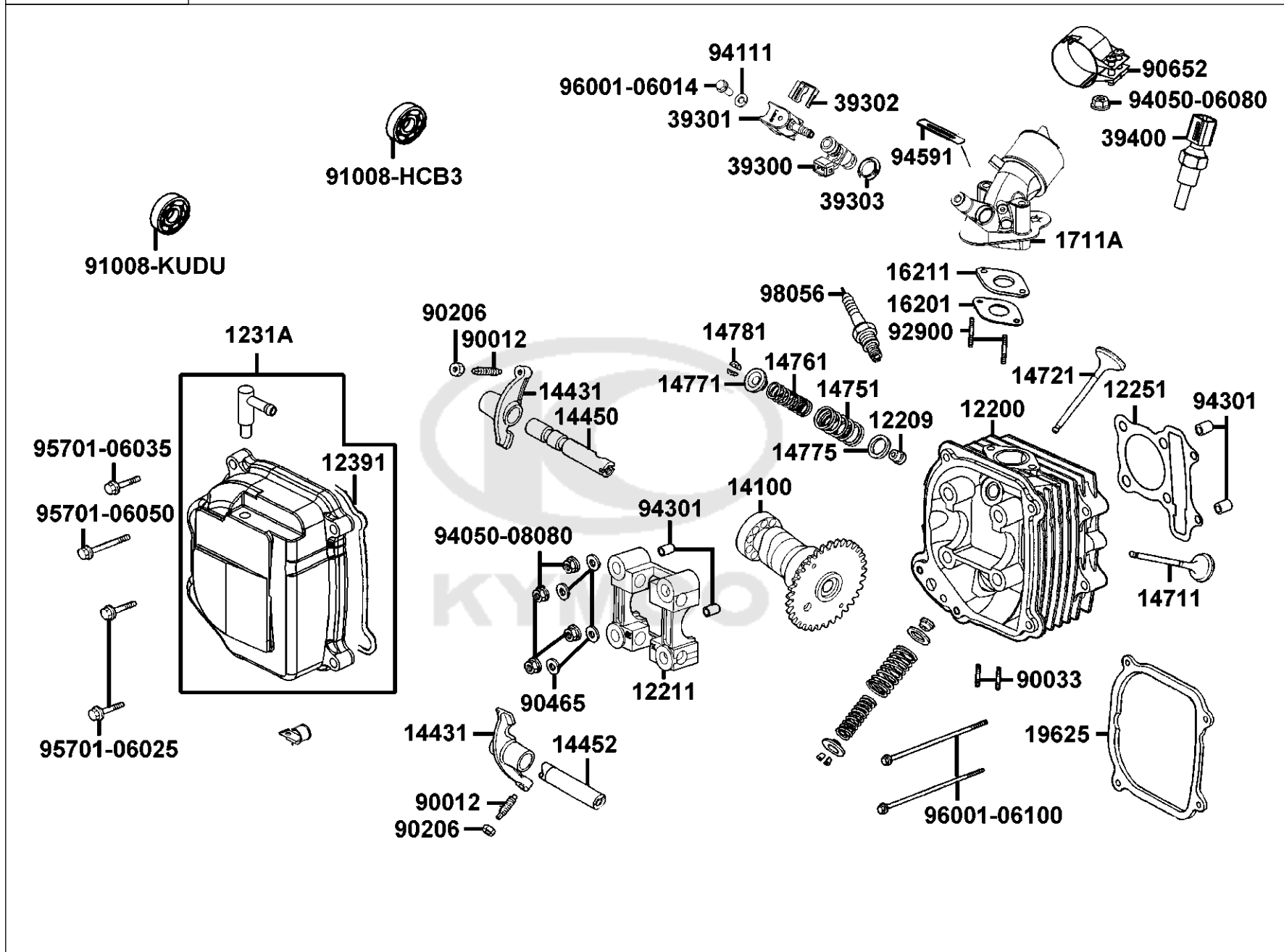
# Cylinder Head



Sales mark	Ref no	Part no	Description	Reg description	Regd no	E02
	19625	19625-KUDU-C00	SEAL SHROUD	SEAL SHROUD	1	
	39300	39300-LEA6-800	"INJECTOR,FUEL"	"INJECTOR,FUEL"	1	
	39301	39301-ALJ8-E10	CUP COMP FUEL INJECTOR	CUP COMP FUEL INJECTOR	1	
	39302	39302-KKE3-C00	CLIP SPRING FUEL INJECTOR	CLIP SPRING FUEL INJECTOR	1	
	39303	39303-LEB2-C00	"SEAL,HIGH TENSION FUEL INJECT"	"SEAL,HIGH TENSION FUEL INJECT"	1	
	39400	39400-LHJ3-900	"SENSOR,HEAD TEMPERATURE"	"SENSOR,HEAD TEMPERATURE"	1	
	90012	90012-3C33-C00	SCREW TAPPET ADJUSTING	SCREW TAPPET ADJUSTING	1	
	90033	90033-GFY6-C01	BOLT 8*32	BOLT 8*32	1	
	90206	90206-0A01-C00	NUT TAPPET ADJG	NUT TAPPET ADJG	1	
	90465	90465-MDC4-C01	WASHER 8MM	WASHER 8MM	1	
	90652	90652-LGJ9-900	"BAND 48, INLET-PIPE"	"BAND 48, INLET-PIPE"	1	
	91008-HCB3	91008-HCB3-00A	BRG BALL RADIAL	BRG BALL RADIAL	1	
	91008-HCB3	91008-HCB3-00B	BRG BALL RADIAL	BRG BALL RADIAL	1	
	91008-KUDU	91008-KUDU-900	BRG BALL RADIAL TMB002JR2C3	BRG BALL RADIAL TMB002JR2C3	1	
	92900	92900-06060-0BG	BOLT STUD 6*60	BOLT STUD 6*60	2	
	94050-06080	94050-06080	NUT FLANGE 6MM	NUT FLANGE 6MM	2	
	94050-08080	94050-08080-G	NUT FLANGE 8MM	NUT FLANGE 8MM	4	
	94111	94111-06800-G	WASHER PLAIN 6MM	WASHER PLAIN 6MM	1	
	94301	94301-10160	DOWEL PIN 10*16	DOWEL PIN 10*16	4	
	94591	94591-11000	CLIP 1*100	CLIP 1*100	1	

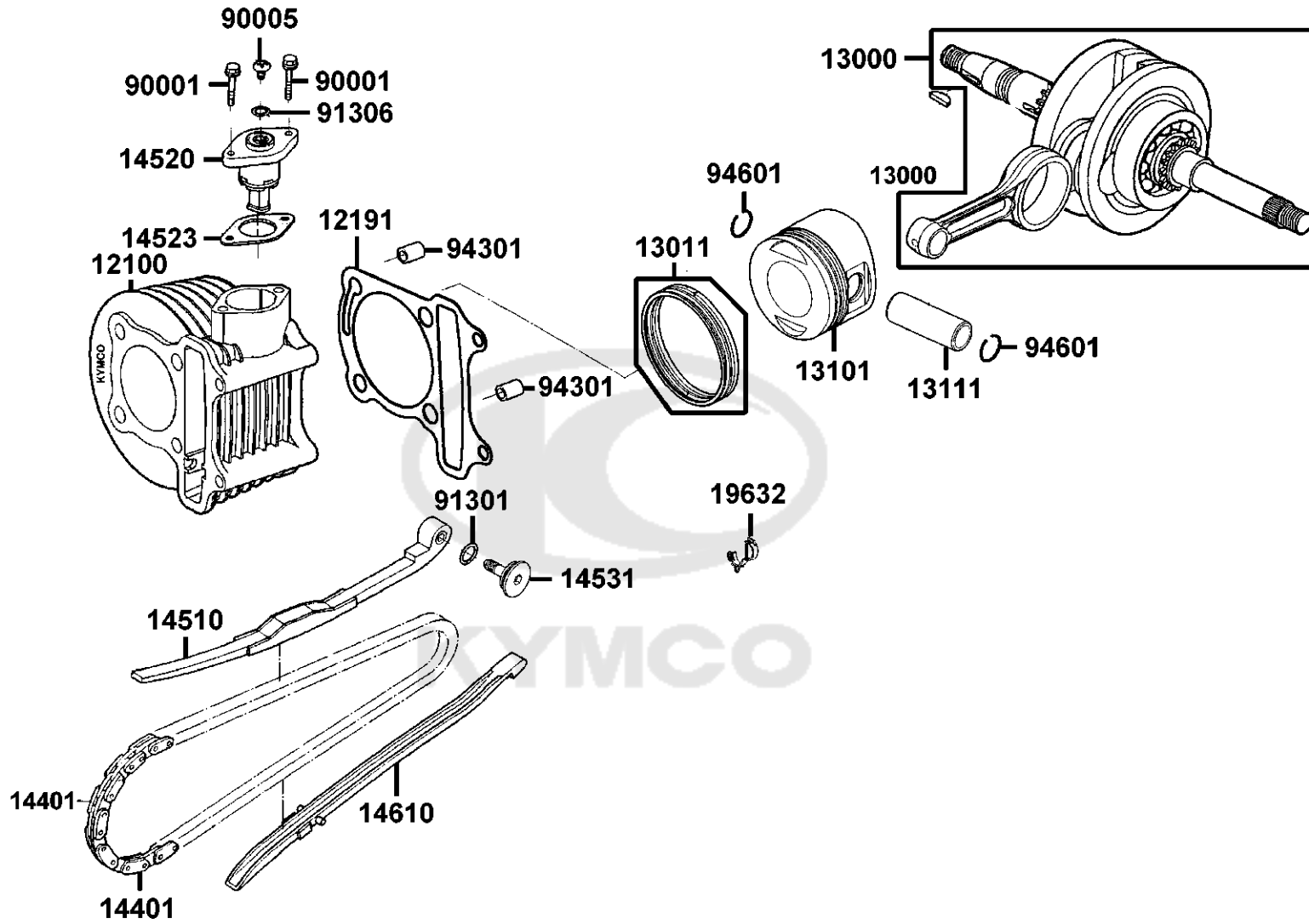
E02

Cylinder Head

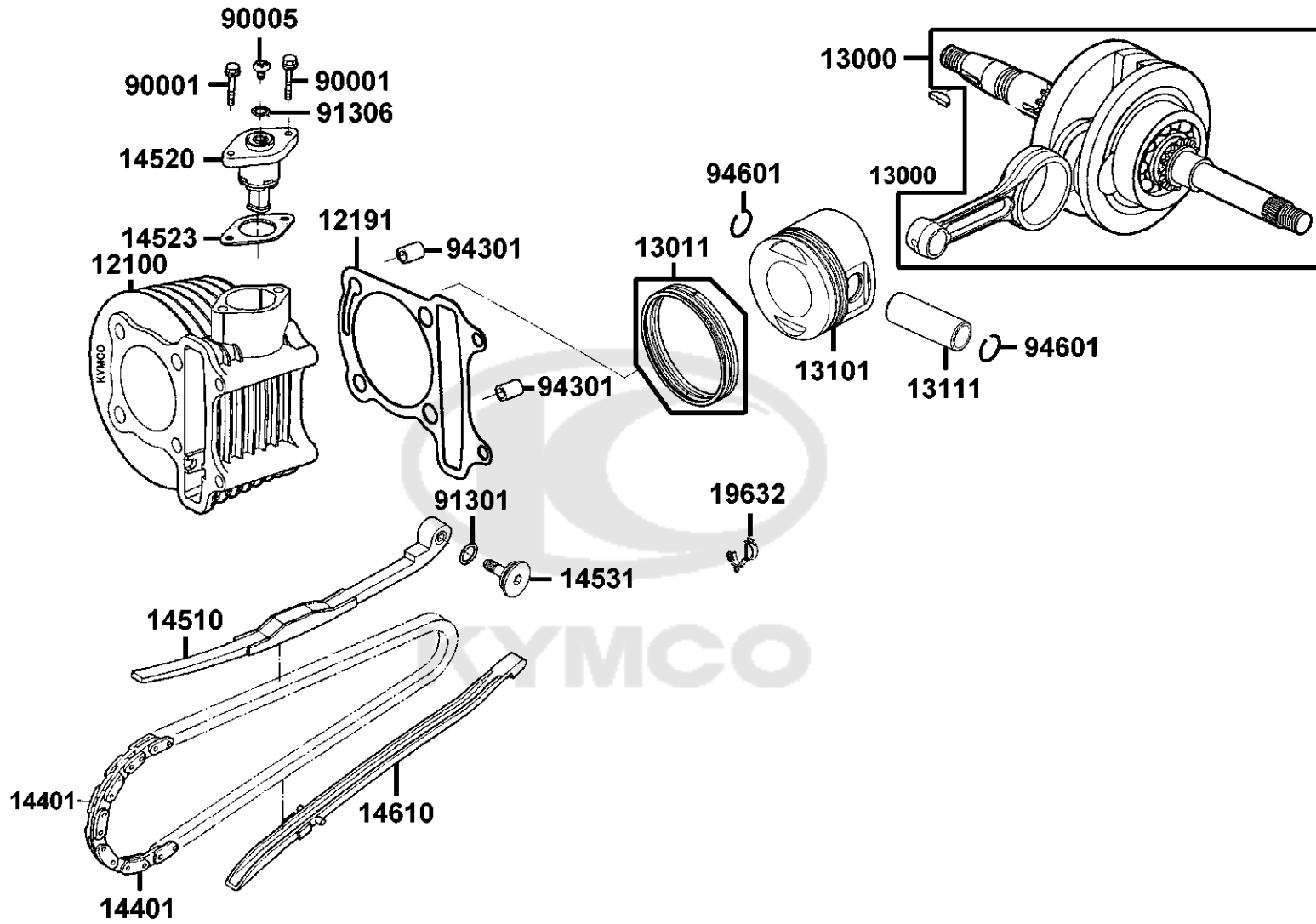


Sales mark	Ref no	Part no	Description	Reg description	Regd no	<b>E02</b>
	95701-06025	95701-06025-08G	BOLT FLANGE 6*25	BOLT FLANGE 6*25	2	
	95701-06035	95701-06035-08G	BOLT FLANGE 6*35 (C)	BOLT FLANGE 6*35 (C)	1	
	95701-06050	95701-06050-08G	BOLT FLANGE 6*50 (C)	BOLT FLANGE 6*50 (C)	1	
	96001-06014	96001-06014-08G	BOLT FLANGE SH 6*14 (C)	BOLT FLANGE SH 6*14 (C)	1	
	96001-06100	96001-06100-08G	BOLT FLANGE SH 6*110	BOLT FLANGE SH 6*110	2	
	98056	98056-5771R-00	SPARK PLUG (CR7HSA)	SPARK PLUG (CR7HSA)	1	





Sales mark	Ref no	Part no	Description	Reg description	Regd no	E03
	12100	12100-GFY6-C00	CYLINDER COMP	CYLINDER COMP	1	
	12191	12191-GFY6-E90	GASKET CRANK CASE @ A	GASKET CRANK CASE @ A	1	
	13000	13000-KUDU-C00	CRANK SHAFT COMP	CRANK SHAFT COMP	1	
	13011	13011-GFY6-C00	RING ASSY PISTON	RING ASSY PISTON	1	
	13101	13101-KUDU-C00	PISTON A	PISTON A	1	
	13111	13111-3D84-C00	PIN PISTON	PIN PISTON	1	
	14401	14401-KUDU-C00	CHAIN CAM	CHAIN CAM	1	
	14510	14510-KUDU-C00	TENSIONER CAM CHAIN	TENSIONER CAM CHAIN	1	
	14510	14510-KUDU-C0B	TENSIONER CAM CHAIN	TENSIONER CAM CHAIN	1	
	14520	14520-GFY6-C00	LIFTER ASSY TENSIONER	LIFTER ASSY TENSIONER	1	
	14523	14523-GFY6-E90	GASKET TENSIONER LIFTER@A	GASKET TENSIONER LIFTER@A	1	
	14531	14531-GLR0-W11	PIVOT CAM CHAIN TENSIONER	PIVOT CAM CHAIN TENSIONER	1	
	14610	14610-KUDU-C00	GUIDE COMP CAM CHAIN	GUIDE COMP CAM CHAIN	1	
	14610	14610-KUDU-C0B	GUIDE COMP CAM CHAIN	GUIDE COMP CAM CHAIN	1	
	14610	14610-KUDU-C10	GUIDE COMP CAM CHAIN	GUIDE COMP CAM CHAIN	1	
	19632	19632-LFB6-C00	CLIPFUEL HOSE	CLIPFUEL HOSE	2	
	90001	90001-GBHB-C05	BOLT FLANGE SH 6X22	BOLT FLANGE SH 6X22	1	
	90005	90005-KAW1-C00	SCREW PAN 6*6	SCREW PAN 6*6	1	
	91301	91301-GLR0-W10	O-RING 15.2*1.5	O-RING 15.2*1.5	1	
	91306	91306-1E05-C00	O-RING 1.5*9.5	O-RING 1.5*9.5	1	



Sales mark	Ref no	Part no	Description	Reg description	Regd no	<b>E03</b>
------------	--------	---------	-------------	-----------------	---------	------------

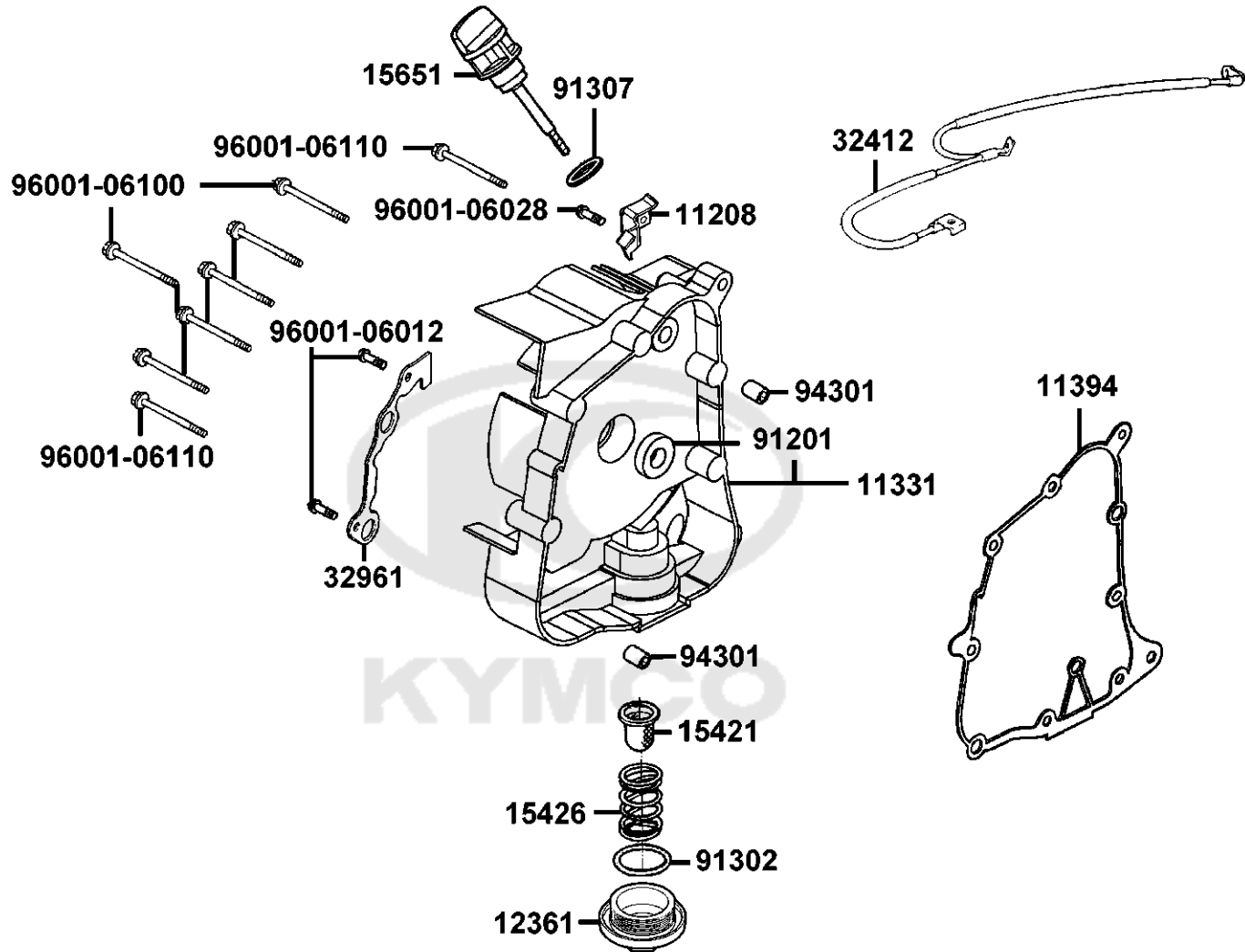
94301		94301-10160	DOWEL PIN 10*16	DOWEL PIN 10*16	2	
94601		94601-15000	CLIP PISTON PIN 15MM	CLIP PISTON PIN 15MM	2	



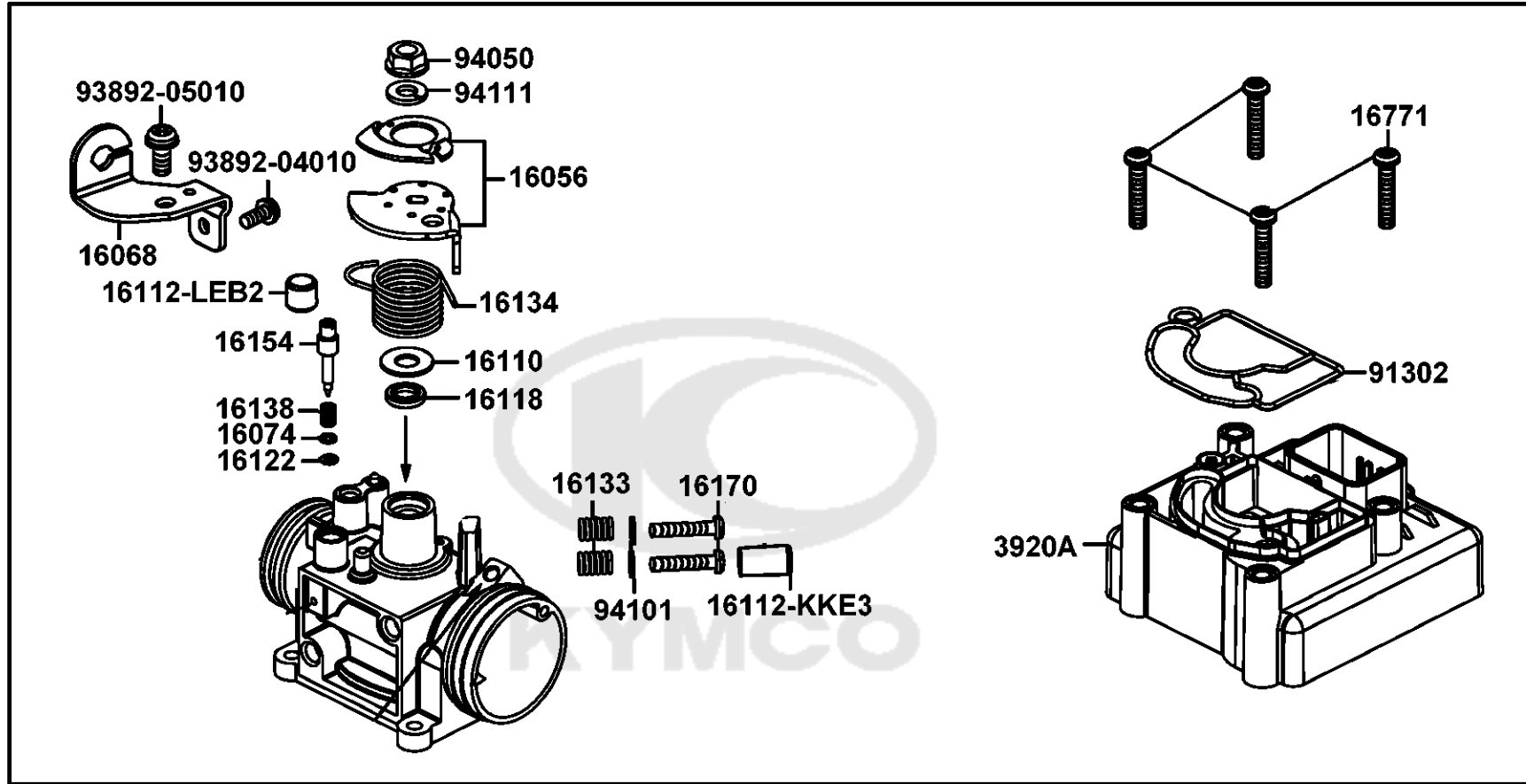


E04

# Right Crankcase Cover

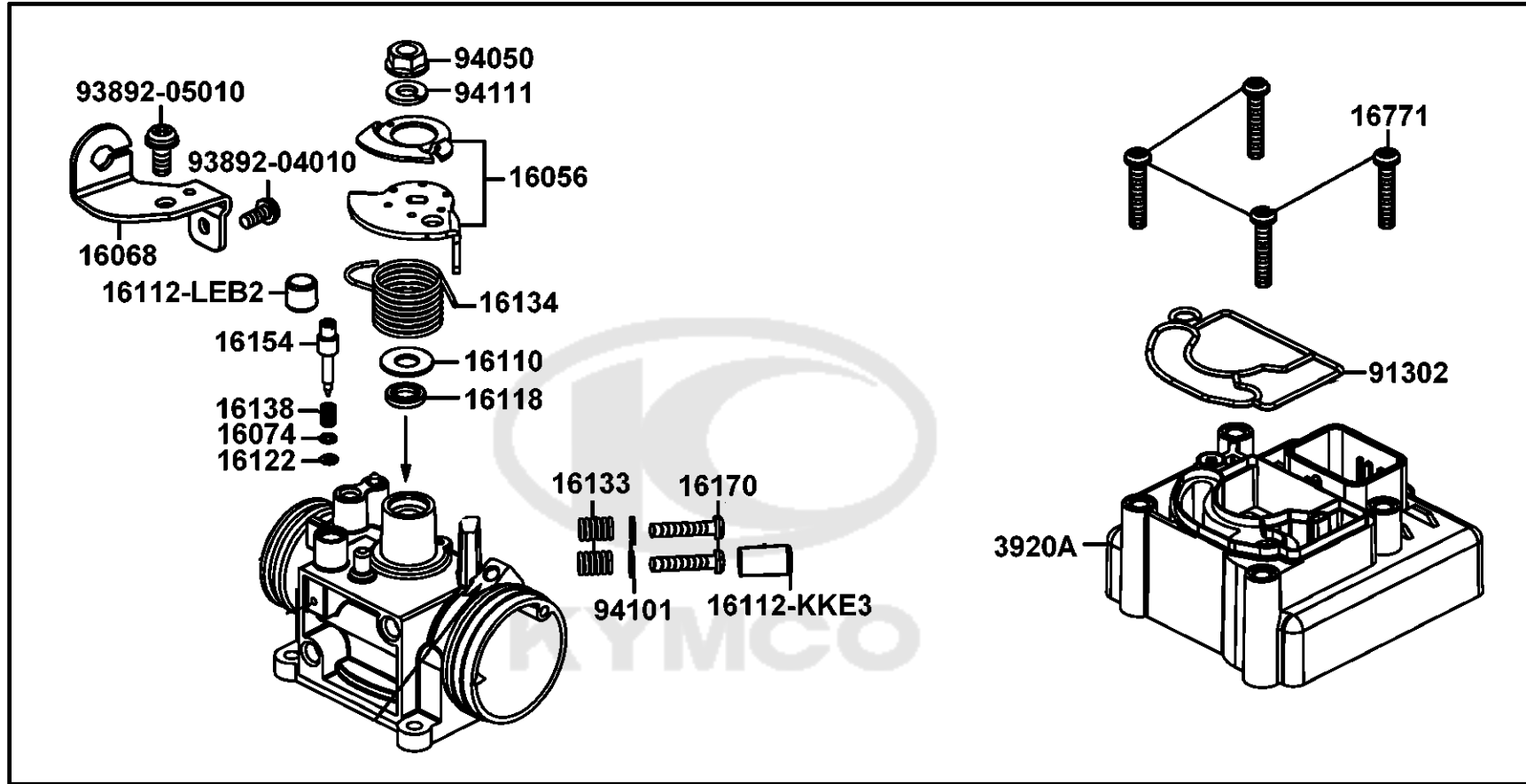


Sales mark	Ref no	Part no	Description	Reg description	Regd no	E04
	11208	11208-LFC3-E10	"STAY, RR TIRE FENDER"	"STAY, RR TIRE FENDER"	1	
	11331	11331-LCD3-E00	COVER R CRANK CASE	COVER R CRANK CASE	1	
	11394	11394-KUDU-E90	GASKET R COVER	GASKET R COVER	1	
	12361	12361-GFY6-C00	HOLE CAP TAPPET ADJUSTING	HOLE CAP TAPPET ADJUSTING	1	
	15421	15421-1G07-C00	SCREEN OIL FILTER	SCREEN OIL FILTER	1	
	15426	15426-GAE1-C00	SPG OIL FILTER SCREEN	SPG OIL FILTER SCREEN	1	
	15651	15651-KUDU-W10	GUAGE OIL LEVEL	GUAGE OIL LEVEL	1	
	32412	32412-ALJ8-E10	CABLE EARTH	CABLE EARTH	1	
	32961	32961-KUDU-C00	CLAMPER ACG CORD	CLAMPER ACG CORD	1	
	91201	91201-GFY6-C00	OIL SEAL 19.8*30*5	OIL SEAL 19.8*30*5	1	
	91302	91302-0A01-C00	O-RING 30.8M/M	O-RING 30.8M/M	1	
	91307	91307-0E35-W10	O-RING 18*3	O-RING 18*3	1	
	94301	94301-10160	DOWEL PIN 10*16	DOWEL PIN 10*16	2	
	96001-06012	96001-06012-08G	BOLT FLANGE SH 6*12 (C)	BOLT FLANGE SH 6*12 (C)	3	
	96001-06028	96001-06028-08G	BOLT FLANGE 6*28	BOLT FLANGE 6*28	1	
	96001-06100	96001-06100-08G	BOLT FLANGE SH 6*110	BOLT FLANGE SH 6*110	6	
	96001-06110	96001-06110-08G	BOLT FLANGE SH 6*110	BOLT FLANGE SH 6*110	2	



16100

Sales mark	Ref no	Part no	Description	Reg description	Regd no	<b>E05</b>
16056		16056-LEB2-C00	LEVER ASSY..THROTTLE	LEVER ASSY..THROTTLE	1	
16068		16068-LEB2-C00	PLATE WIRE FIXED	PLATE WIRE FIXED	1	
16074		16074-KEC3-C00	WASHER IDLE ADJUST SCREW	WASHER IDLE ADJUST SCREW	1	
16100		16100-LFC3-E15	THROTTLE BODY ASSY	THROTTLE BODY ASSY	1	
16110		16110-KEC3-900	WASHER THROTTLE COMP	WASHER THROTTLE COMP	1	
16112-KKE3		16112-KKE3-C00	COVER IDLE SCREW	COVER IDLE SCREW	1	
16112-LEB2		16112-LEB2-C00	COVER IDLE BYPASS	COVER IDLE BYPASS	1	
16118		16118-KEC3-C00	SEAL THROTTLE SHAFT	SEAL THROTTLE SHAFT	1	
16122		16122-KEC3-C00	O-RING IDLE SCREW	O-RING IDLE SCREW	1	
16133		16133-KEC3-C00	SPG THROTTLE ADJ SCREW	SPG THROTTLE ADJ SCREW	1	
16134		16134-KKE3-C00	SPRING THROTTLE SHAFT	SPRING THROTTLE SHAFT	1	
16138		16138-KGC5-C00	SPRING IDLE ADJUST SCREW	SPRING IDLE ADJUST SCREW	1	
16154		16154-KKE3-C00	SCREW IDLE ADJUST	SCREW IDLE ADJUST	1	
16170		16170-KEC3-C00	SCREW THROTTLE ADJUST	SCREW THROTTLE ADJUST	1	
16771		16771-GKAK-220	SCREW-WASHER M4*30	SCREW-WASHER M4*30	4	
3920A		3920A-LFC3-E15	ECU	ECU	1	
91302		91302-LEB2-C00	SEAL THROTTLE-ECU	SEAL THROTTLE-ECU	1	
93892-04010		93892-04010-08	SCREW WASHER 4*10	SCREW WASHER 4*10	1	
93892-05010		93892-05010-08	SCREW WASHER 5X10	SCREW WASHER 5X10	1	
94050		94050-06080	NUT FLANGE 6MM	NUT FLANGE 6MM	1	



16100

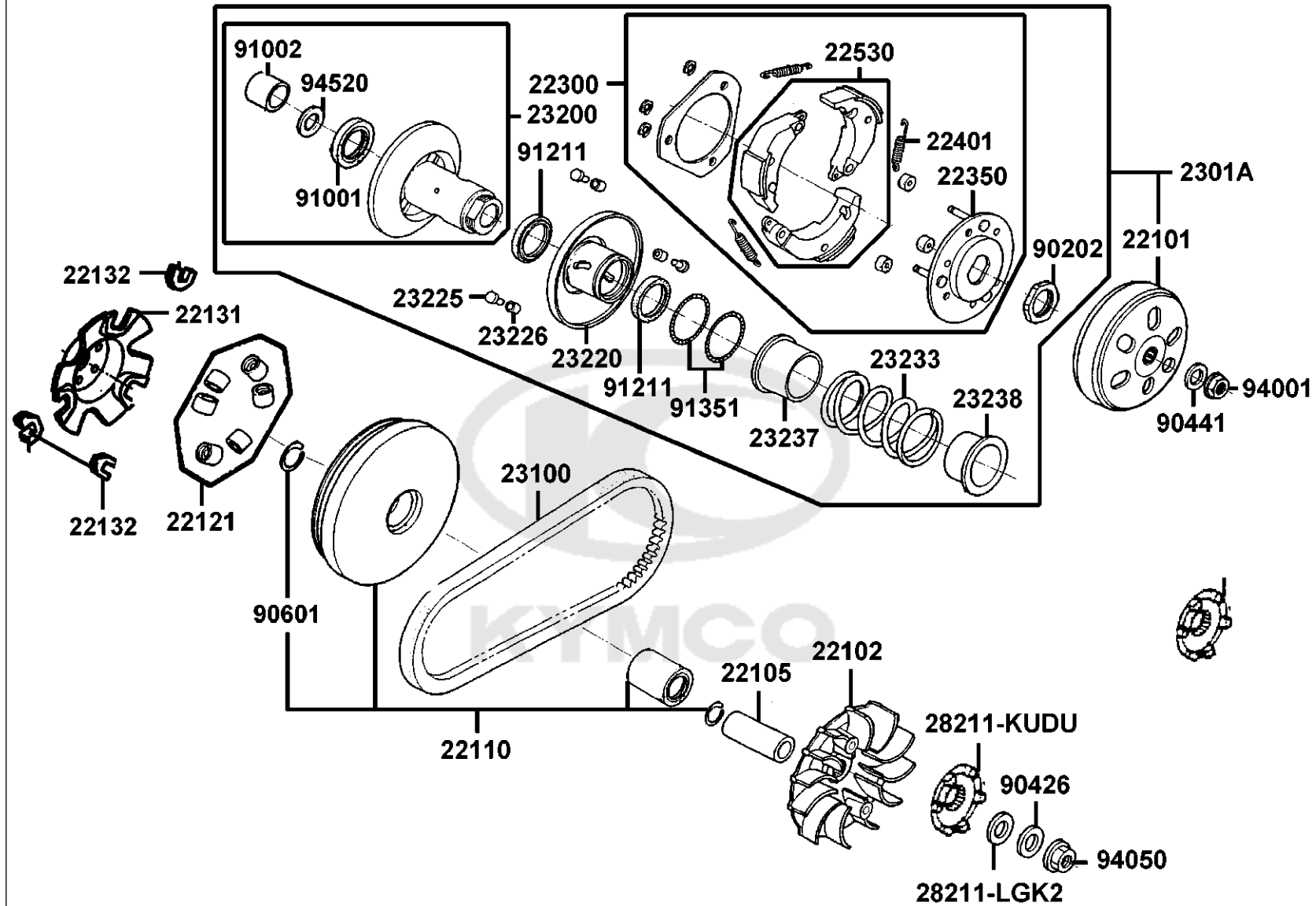
Sales mark	Ref no	Part no	Description	Reg description	Regd no	<b>E05</b>
------------	--------	---------	-------------	-----------------	---------	------------

94101		94101-KKE3-C00	WASHER SPG 4MM	WASHER SPG 4MM	1	
94111		94111-06800	WASHER PLAIN 6MM	WASHER PLAIN 6MM	1	



E06

# Driven Pulley

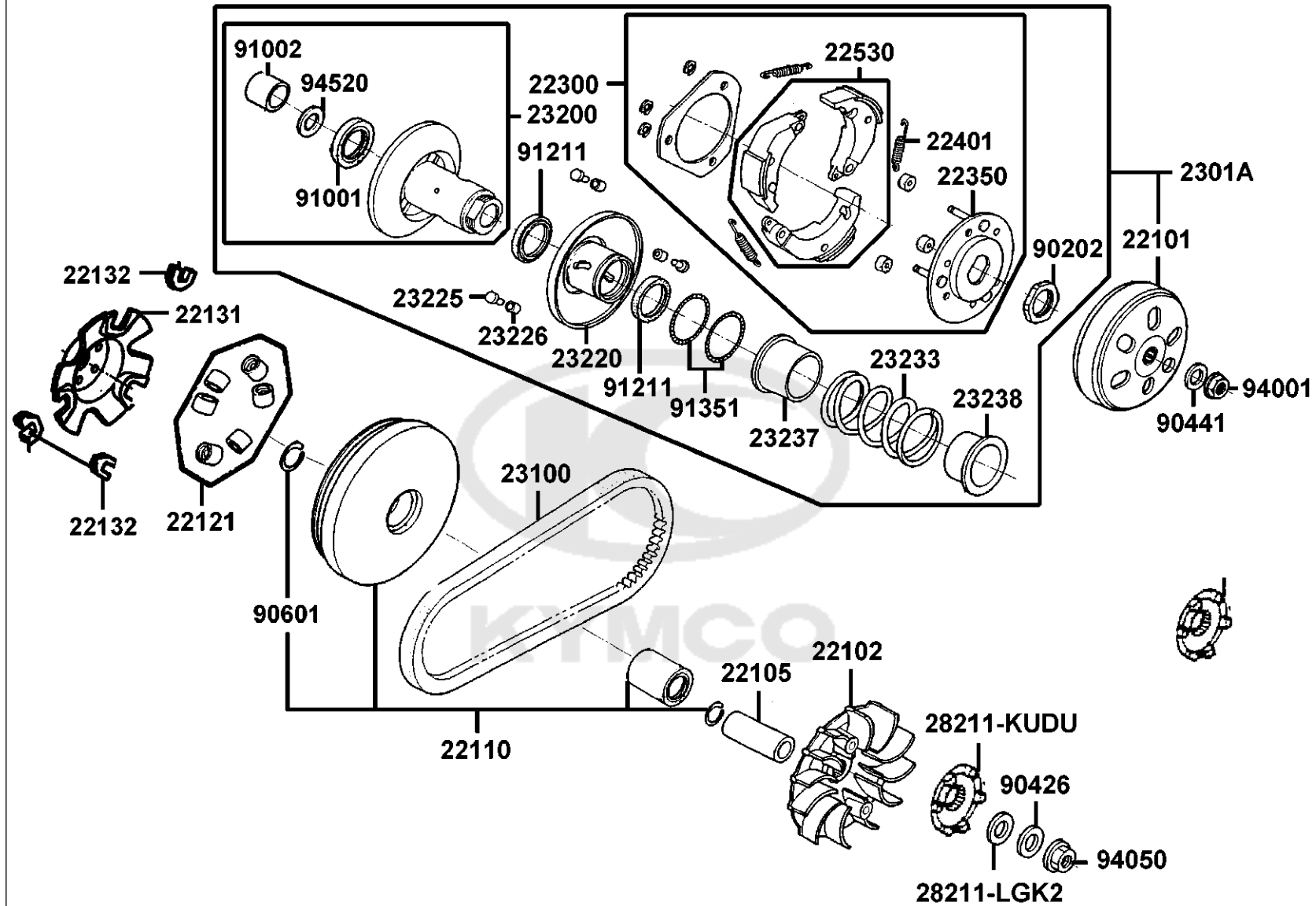


Sales mark	Ref no	Part no	Description	Reg description	Regd no	<b>E06</b>
	22101	22101-LCD3-C00	OUTER CLUTCH	OUTER CLUTCH	1	
	22102	22102-KUDU-E80	FACE DRIVE	FACE DRIVE	1	
	22105	22105-LGS6-E10	BOSS DRIVE FACE	BOSS DRIVE FACE	1	
	22110	22110-KUDU-E80	FACE COMP MOVABLE DRIVE	FACE COMP MOVABLE DRIVE	1	
	22121	22121-LFC4-E10	ROLLER COMP WEIGHT	ROLLER COMP WEIGHT	1	
	22131	22131-GFY6-C00	PLATE RAMP	PLATE RAMP	1	
	22132	22132-KBN2-C00	PIECE SLIDE	PIECE SLIDE	1	
	22300	22300-LCD3-C00	PLATE ASSY DRIVE	PLATE ASSY DRIVE	1	
	22350	22350-GFY6-C00	PLATE COMP DRIVE	PLATE COMP DRIVE	1	
	22401	22401-GFY6-C00	SPRING CLUTCH	SPRING CLUTCH	1	
	22401	22401-GFY6-C0A	SPRING CLUTCH	SPRING CLUTCH	1	
	22530	22530-LCD3-C00	"WEIGHT,CLUTCH"	"WEIGHT,CLUTCH"	1	
	2301A	2301A-LEJ3-E10	FACE COMP MOVABLE DRIVEN	FACE COMP MOVABLE DRIVEN	1	
	23100	23100-KEC4-C00	BELT DRIVE	BELT DRIVE	1	
	23100	23100-KEC4-C0E	BELT DRIVE	BELT DRIVE	1	
	23200	23200-LEJ3-E10	BRG NDL 20*29*18	BRG NDL 20*29*18	1	
	23220	23220-GFY6-C00	FACE COMP DRIVEN H1	FACE COMP DRIVEN H1	1	
	23225	23225-GHC8-C00	PIN ROLLER GUIDE	PIN ROLLER GUIDE	3	
	23226	23226-GHC8-C00	ROLLER GUIDE	ROLLER GUIDE	1	
	23233	23233-LEJ3-E10	SPG DRIVEN FACE	SPG DRIVEN FACE	1	

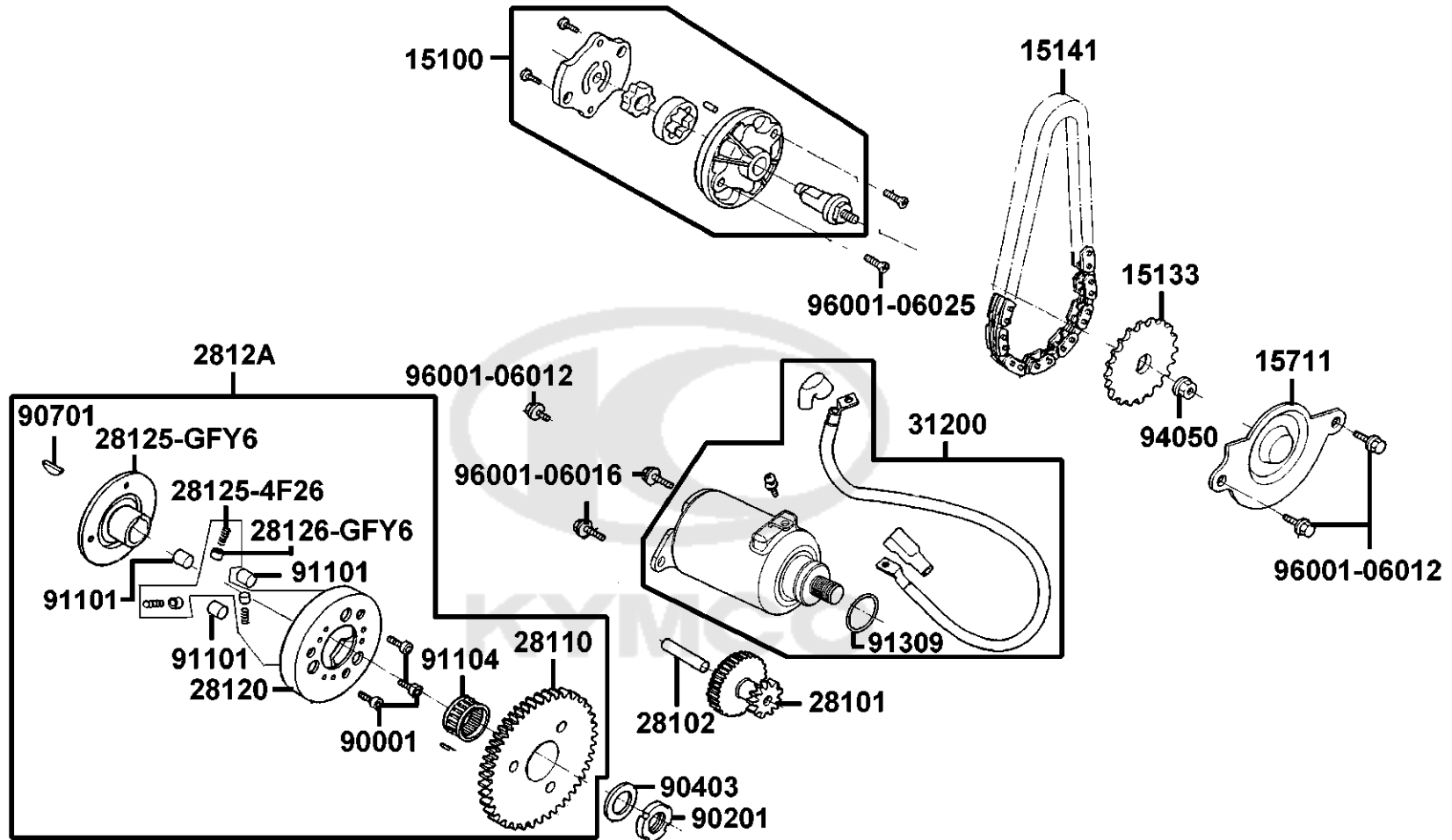


E06

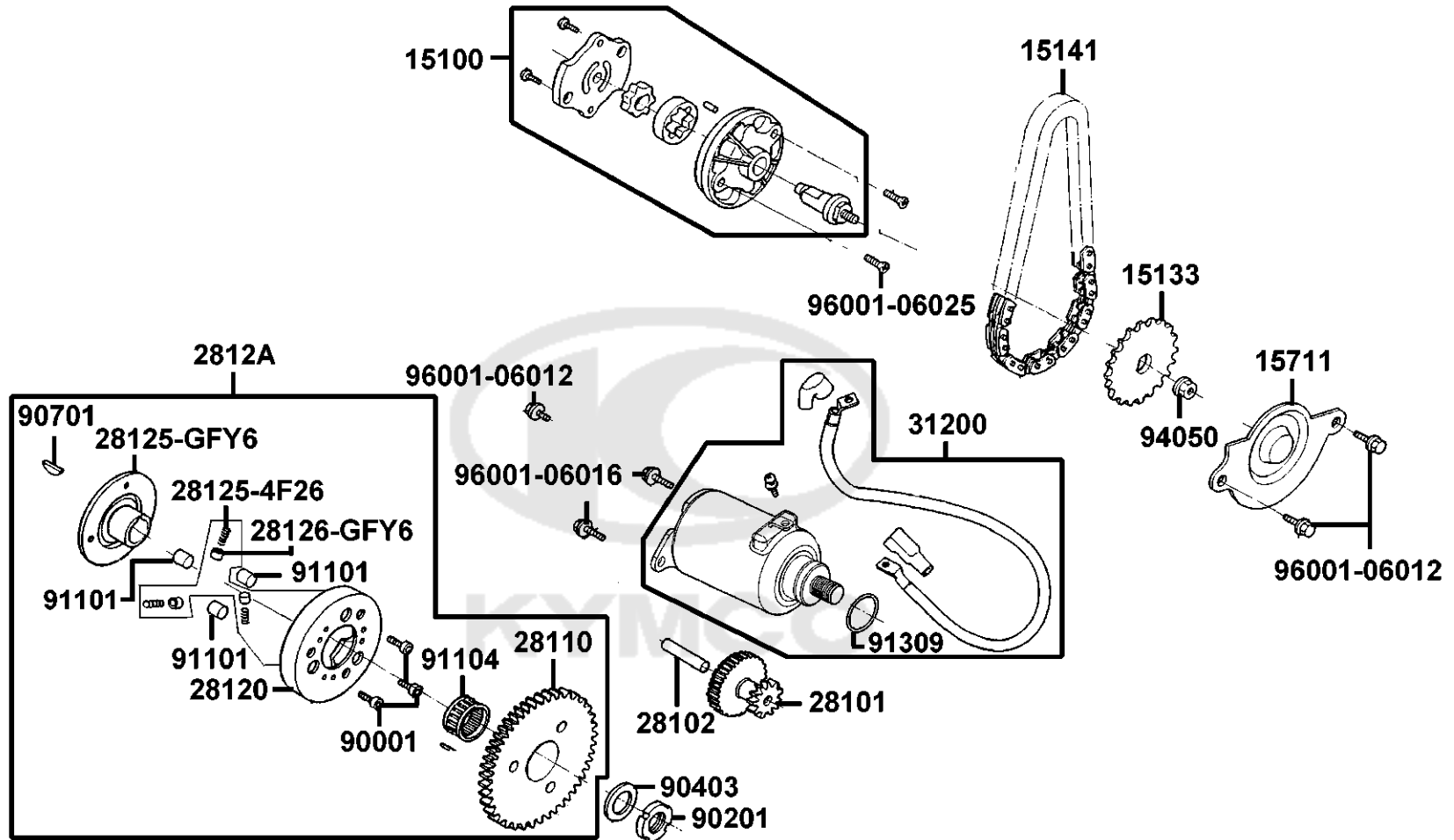
# Driven Pulley




Sales mark	Ref no	Part no	Description	Reg description	Regd no	<b>E06</b>
23237		23237-GFY6-C00	COLLAR SEAL	COLLAR SEAL	1	
23238		23238-GFY6-C00	COLLAR SPG	COLLAR SPG	1	
28211-KUDU		28211-KUDU-W10	RATCHET KICK STARTER	RATCHET KICK STARTER	1	
28211-LGK2		28211-LGK2-C00	WASHER 15.1X24X5	WASHER 15.1X24X5	1	
90202		90202-1G87-C00	NUT SPECIAL 28MM	NUT SPECIAL 28MM	1	
90426		90426-KNBN-C01	WASHER SPECIAL 12MM	WASHER SPECIAL 12MM	1	
90441		90441-GFY6-C01	WASHER 12.2*29*2.5	WASHER 12.2*29*2.5	1	
90601		90601-GFY6-901	CLIP 28MM	CLIP 28MM	1	
91001		91001-GFY6-C00	BRG CON-ROD 20*29*18	BRG CON-ROD 20*29*18	1	
91002		91002-GGA7-C00	BRG BALL RADIAL 6902U	BRG BALL RADIAL 6902U	1	
91211		91211-KEBE-C00	SEAL DRIVEN FACE 34*41*4	SEAL DRIVEN FACE 34*41*4	1	
91351		91351-6B42-C00	O-RING PINION CAP	O-RING PINION CAP	1	
94001		94001-12280-0SG	NUT HEX 12MM(C)	NUT HEX 12MM(C)	1	
94050		94050-12080-G	NUT FLANGE 12MM (C)	NUT FLANGE 12MM (C)	2	
94520		94520-28000	CIR CLIP IN 28	CIR CLIP IN 28	1	



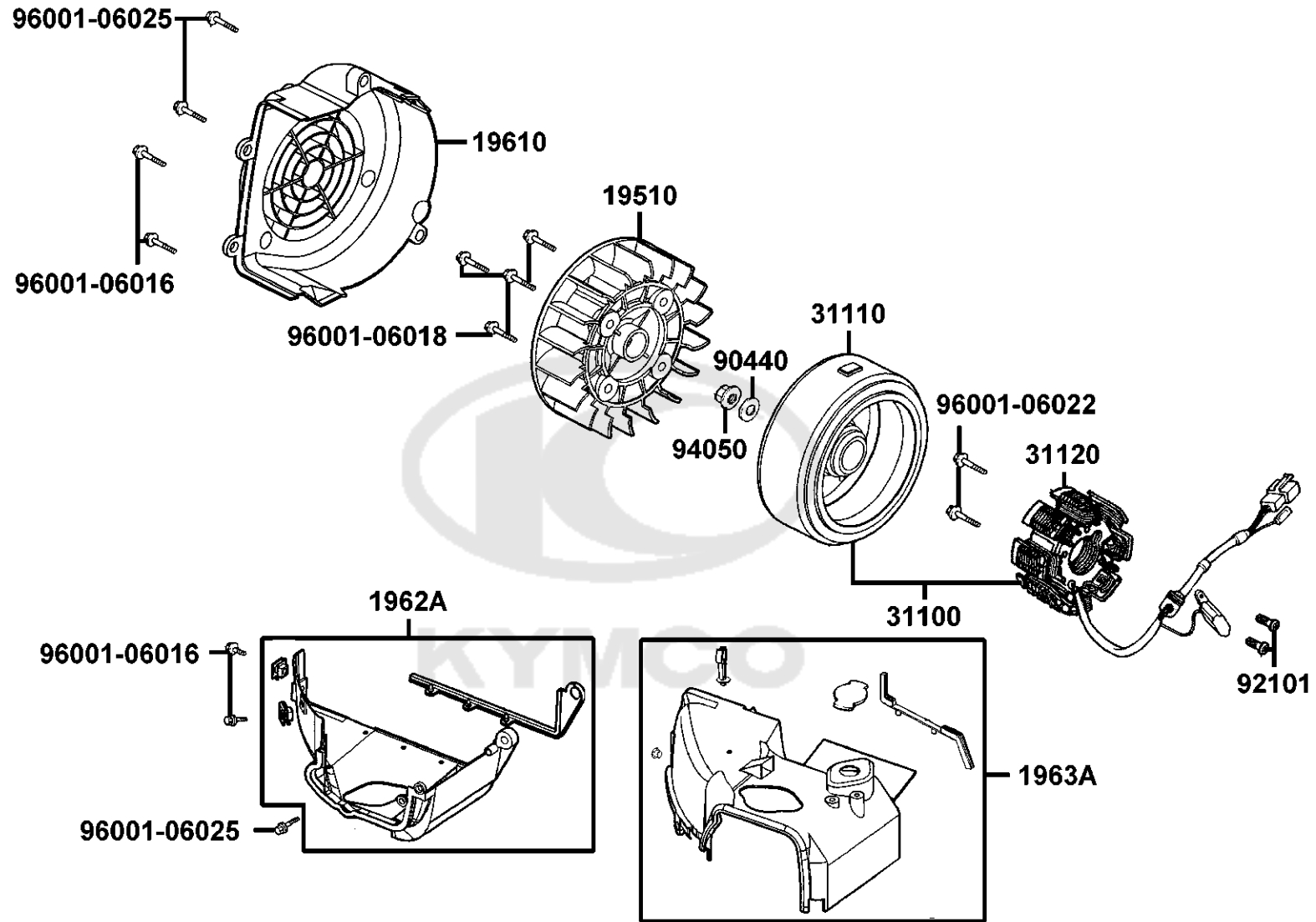
Sales mark	Ref no	Part no	Description	Reg description	Regd no	E07
	15100	15100-KFB7-C00	PUMP ASSY OIL	PUMP ASSY OIL	1	
	15133	15133-GFY6-W10	SPROCKET OIL PUMP DRIVE	SPROCKET OIL PUMP DRIVE	1	
	15141	15141-GFY6-C00	CHAIN OIL PUMP	CHAIN OIL PUMP	1	
	15711	15711-KUDU-C00	SEPARATER OIL	SEPARATER OIL	1	
	28101	28101-GFY6-C00	GEAR STARTER REDUCTION	GEAR STARTER REDUCTION	1	
	28102	28102-GFY6-C00	SHAFT STARTER REDUCTION GEAR	SHAFT STARTER REDUCTION GEAR	1	
	28110	28110-GFY6-C10	OUTER ASSY START CLUTCH	OUTER ASSY START CLUTCH	1	
	28120	28120-GFY6-C10	GEAR COMP STARTING CLUTCH	GEAR COMP STARTING CLUTCH	1	
	28125-4F26	28125-4F26-C00	SPRING ROLLER STARTER CLUTCH	SPRING ROLLER STARTER CLUTCH	1	
	28125-GFY6	28125-GFY6-C10	SPRING ROLLER STARTER CLUTCH	SPRING ROLLER STARTER CLUTCH	1	
	28126-GFY6	28126-GFY6-C10	FLANGE STARTING CLUTCH	FLANGE STARTING CLUTCH	1	
	2812A	2812A-GFY6-C10	OUTER COMP STARTING CLUTCH	OUTER COMP STARTING CLUTCH	1	
	31200	31200-ALJ8-E10	MOTOR ASSY START	MOTOR ASSY START	1	
	90001	90001-GFY6-C00	SOCKET BOLT 6*10	SOCKET BOLT 6*10	1	
	90201	90201-GFY6-901	NUT LOCK 22MM	NUT LOCK 22MM	1	
	90403	90403-KUDU-C00	WASHER THRUST 22.2*39*2.5	WASHER THRUST 22.2*39*2.5	1	
	90701	90701-HFB6-C00	KEY WOODRUFF 25*14*4	KEY WOODRUFF 25*14*4	1	
	91101	91101-1K79-C00	ROLLER 10*10	ROLLER 10*10	1	
	91104	91104-GFY6-C00	ROLLER 10*10	ROLLER 10*10	1	
	91309	91309-4E25-004	O-RING 24.4*3.1	O-RING 24.4*3.1	1	



Sales mark	Ref no	Part no	Description	Reg description	Regd no	<b>E07</b>
	94050	94050-06080	NUT FLANGE 6MM	NUT FLANGE 6MM	1	
	96001-06012	96001-06012-08G	BOLT FLANGE SH 6*12 (C)	BOLT FLANGE SH 6*12 (C)	2	
	96001-06016	96001-06016-08G	SOCKET BOLT 6*16 (C)	SOCKET BOLT 6*16 (C)	2	
	96001-06025	96001-06025-08G	BOLT FLANGE SH 6*25 (C)	BOLT FLANGE SH 6*25 (C)	2	
						

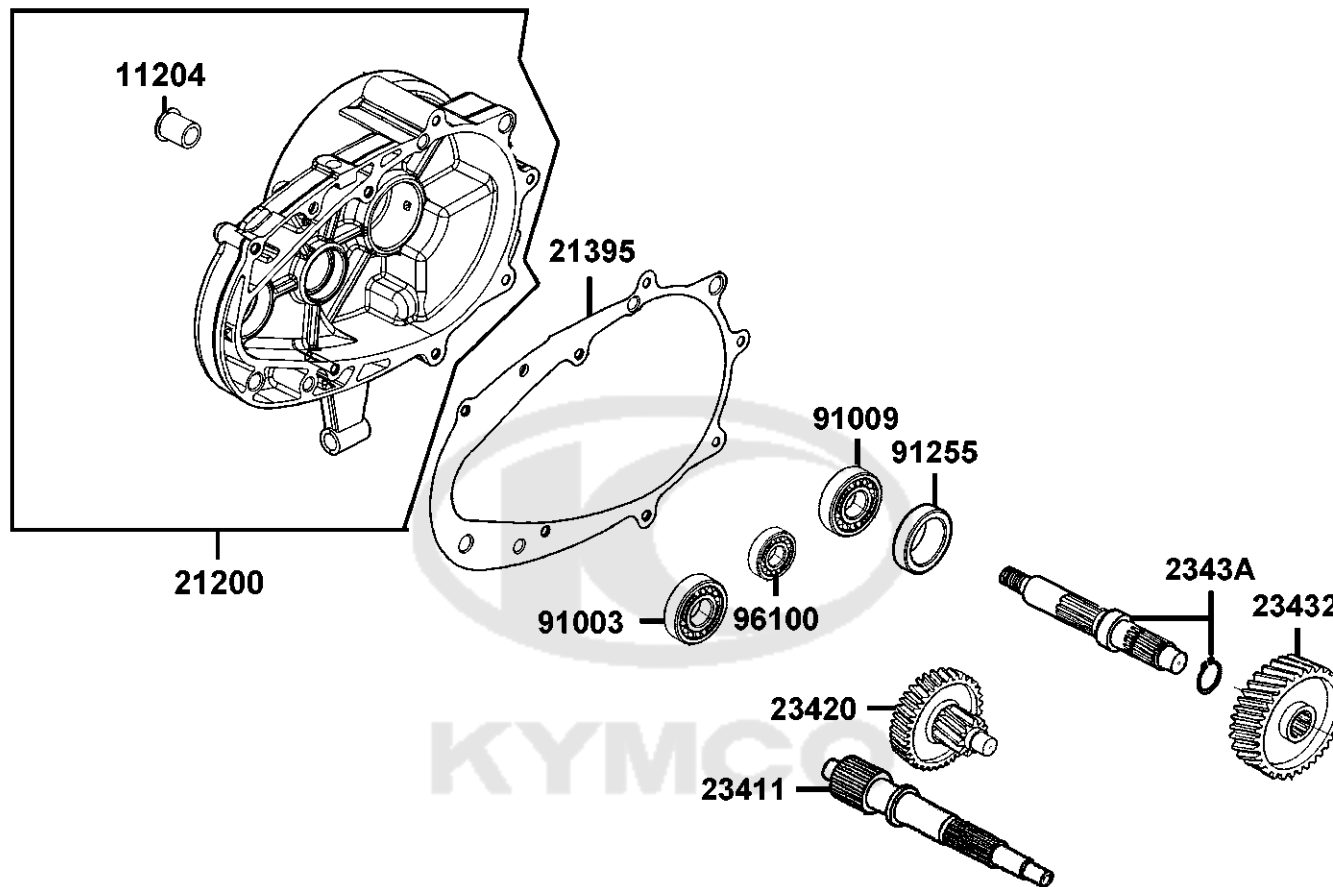
E08

### Fan Cover Generator



Sales mark	Ref no	Part no	Description	Reg description	Regd no	<b>E08</b>
19510		19510-KFB7-C00	FAN COMP COOLING	FAN COMP COOLING	1	
19610		19610-KUDU-C10	COVER ASSY FAN	COVER ASSY FAN	1	
1962A		1962A-LEJ8-E00	SHROUD ASSY A	SHROUD ASSY A	1	
1963A		1963A-AAD2-C00	"SHROUD ASSY., B"	"SHROUD ASSY., B"	1	
31100		31100-LGS6-E10	AC GEN ASSY	AC GEN ASSY	1	
31110		31110-KKE3-C00	FLYWHEEL COMP	FLYWHEEL COMP	1	
31120		31120-LGS6-E10	STATOR COMP	STATOR COMP	1	
90440		90440-1F66-C00	WASHER PLAIN 12MM	WASHER PLAIN 12MM	1	
92101		92101-05012-OHG	BOLT HEX 5*12 (C)	BOLT HEX 5*12 (C)	2	
94050		94050-12080-G	NUT FLANGE 12MM (C)	NUT FLANGE 12MM (C)	1	
96001-06016		96001-06016-08G	SOCKET BOLT 6*16 (C)	SOCKET BOLT 6*16 (C)	4	
96001-06018		96001-06018-08G	BOLT FLANGE SH 6*18 (C)	BOLT FLANGE SH 6*18 (C)	4	
96001-06022		96001-06022-08G	BOLT FLANGE 6*22	BOLT FLANGE 6*22	2	
96001-06025		96001-06025-08G	BOLT FLANGE SH 6*25 (C)	BOLT FLANGE SH 6*25 (C)	3	

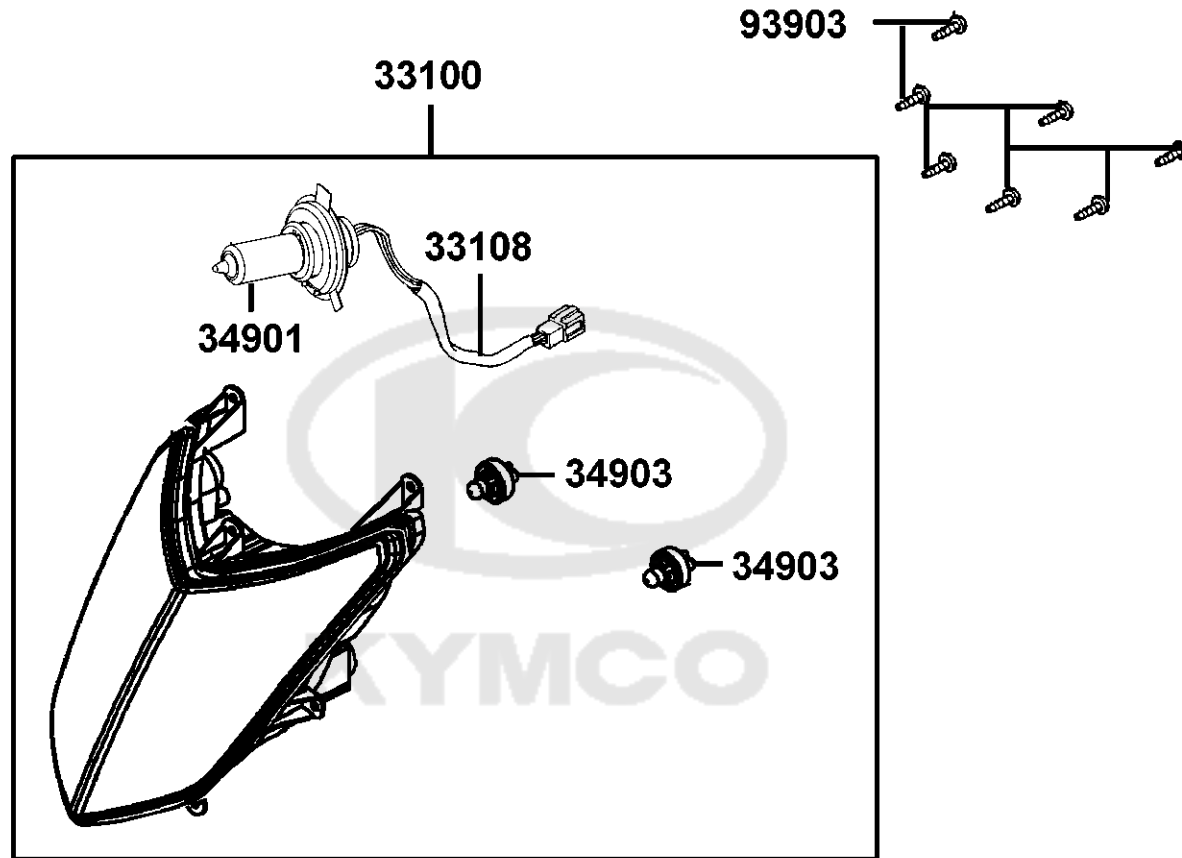





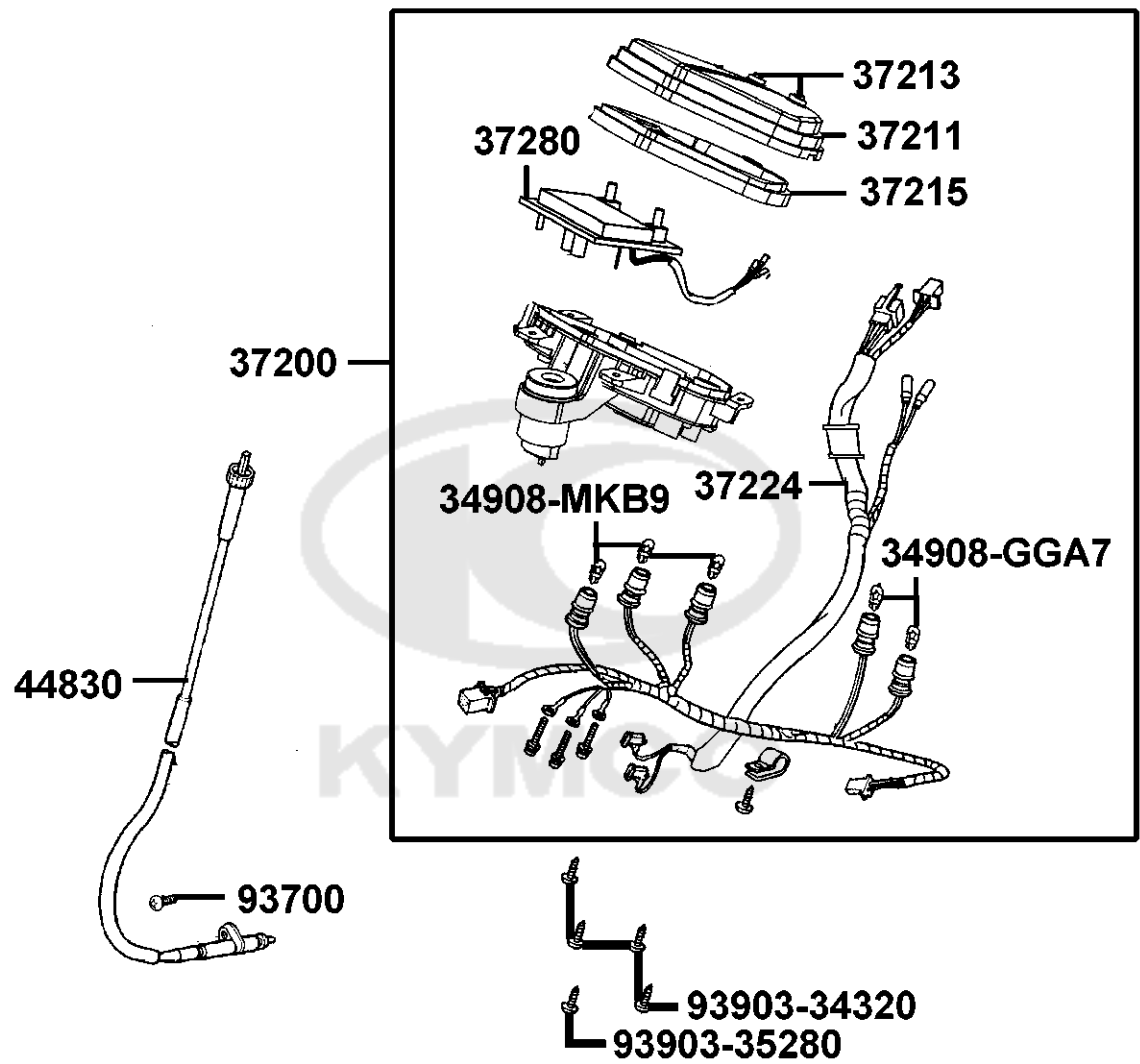
Sales mark	Ref no	Part no	Description	Reg description	Regd no	<b>E09</b>
11204		11204-KUDU-C00	PIN ASSY ANCHOR	PIN ASSY ANCHOR	1	
21200		21200-LEJ8-C00	CASE COMP MISSION	CASE COMP MISSION	1	
21395		21395-LCD3-E90	GASKET MISSION CASE@A	GASKET MISSION CASE@A	1	
23411		23411-KHB4-C00	SHAFT DRIVE	SHAFT DRIVE	1	
23420		23420-LCD3-C00	SHAFT COMP COUNTER	SHAFT COMP COUNTER	1	
23432		23432-LEJ3-E10	GEAR FINAL	GEAR FINAL	1	
2343A		2343A-KHB4-C00	SHAFT FINAL	SHAFT FINAL	1	
91003		91003-KDS4-C00	BRG BALL RADIAL 6301TMB	BRG BALL RADIAL 6301TMB	1	
91009		91009-GLE0-C00	BRG BALL RADIAL 6004 UU	BRG BALL RADIAL 6004 UU	1	
91255		91255-LDC8-E10	OIL SEAL 27*42*7 (C)	OIL SEAL 27*42*7 (C)	1	
96100		96100-60020-00	BEARING BALL RADIAL 6002	BEARING BALL RADIAL 6002	1	

F01

Head Light

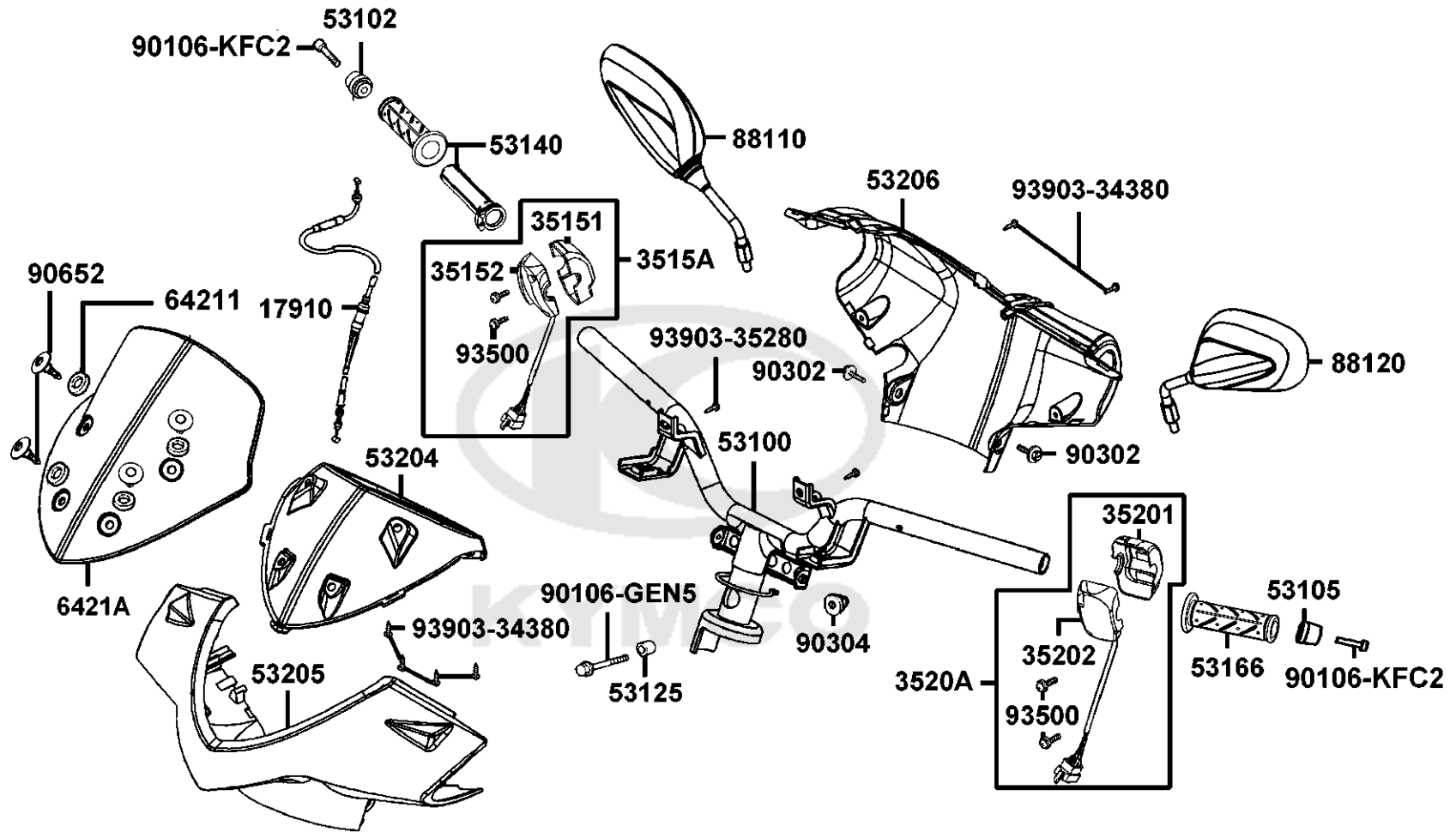


Sales mark	Ref no	Part no	Description	Reg description	Regd no	<b>F01</b>
	33100	33100-LFC3-E12	LIGHT ASSY HEAD	LIGHT ASSY HEAD	1	
	33108	33108-LFC2-E10	SOCKET COMP HEAD LIGHT	SOCKET COMP HEAD LIGHT	1	
	34901	34901-LDC8-E10	BULB HEAD LIGHT	BULB HEAD LIGHT	1	
	34903	34903-LDC8-E10	BULB POSITION	BULB POSITION	1	
	93903	93903-35220-G	SCREW TAPPING 5*12	SCREW TAPPING 5*12	7	
						



Sales mark	Ref no	Part no	Description	Reg description	Regd no	F02
	34908-GGA7	34908-GGA7-C00	"BULB,WEDGE BASE T10"	"BULB,WEDGE BASE T10"	2	
	34908-MKB9	34908-MKB9-C00	BULB WEDGE BASE T10	BULB WEDGE BASE T10	3	
	37200	37200-LKD2-E12	METER ASSY SPEED	METER ASSY SPEED	1	
	37211	37211-LFC2-E10	LENS COMP METER	LENS COMP METER	1	
	37213	37213-LFC2-E10	"BUTTON,ADJEST"	"BUTTON,ADJEST"	1	
	37215	37215-LFC2-E10	"PLATE,COSMETIC"	"PLATE,COSMETIC"	1	
	37224	37224-LKD1-E10	SOCKET COMP METER	SOCKET COMP METER	1	
	37280	37280-LEJ2-E0A	LCD ASSY (LOCK)/XD	LCD ASSY (LOCK)/XD	1	
	44830	44830-LCD3-C00	CABLE COMP SPDMT	CABLE COMP SPDMT	1	
	93700	93700-05018-0H	SCREW OVAL 5*18	SCREW OVAL 5*18	1	
	93903-34320	93903-34320-G	SCREW TAPPING 5*16 (C)	SCREW TAPPING 5*16 (C)	4	
	93903-35280	93903-35280-G	SCREW TAPPING 5*12 (K)	SCREW TAPPING 5*12 (K)	1	

Handle Steering Handle Cover

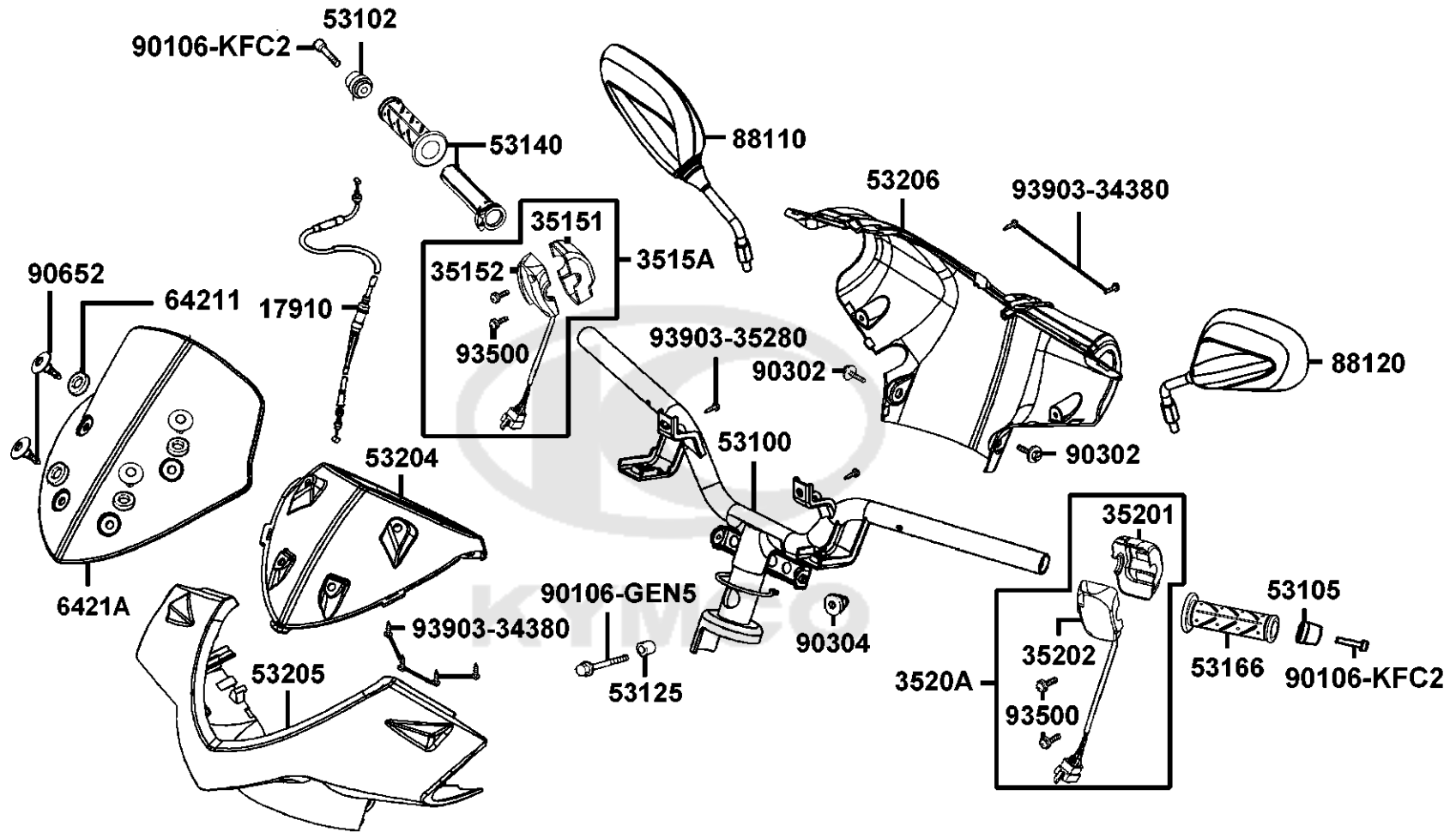


Sales mark	Ref no	Part no	Description	Reg description	Regd no	F03
	17910	17910-LGS6-E10	"CABLE COMP.,THROT."	"CABLE COMP.,THROT."	1	
	35151	35151-LGB5-EV0	FR CASE RH HNDL COMP SW	FR CASE RH HNDL COMP SW	1	
	35152	35152-LGB5-E10	RR CASE RH HNDL COMP SW	RR CASE RH HNDL COMP SW	1	
	3515A	3515A-LGB5-EV0	SW ASSY R HANDLE COMP	SW ASSY R HANDLE COMP	1	
	35201	35201-LGB5-E10	FR CASE LH HNDL COMP SW	FR CASE LH HNDL COMP SW	1	
	35202	35202-LGB5-E10	RR CASE LH HNDL SW COMP	RR CASE LH HNDL SW COMP	1	
	3520A	3520A-LGB5-E11	SW ASSY LH HANDLE COMP	SW ASSY LH HANDLE COMP	1	
	53100	53100-ALJ9-E12	HANDLE COMP STRG	HANDLE COMP STRG	1	
	53102	53102-LEJ2-E10	END HANDLE	END HANDLE	1	
	53105	53105-LEJ2-E10	END R HANDLE	END R HANDLE	1	
	53125	53125-GEN5-C00	COLLAR HANDLE SET	COLLAR HANDLE SET	1	
	53140	53140-LEJ2-E10	GRIP COMP THROT	GRIP COMP THROT	1	
	53166	53166-LEJ2-E10	GRIP L HANDLE	GRIP L HANDLE	1	
**	53204	53204-LFC2-E10	COVER METER	COVER METER	1	
**	53205	53205-LFC2-E10	COVER HANDLE FR	COVER HANDLE FR	1	
**	53206	53206-LFC2-E10	COVER HANDLE RR	COVER HANDLE RR	1	
	64211	64211-LFC2-E10	SPONGE VISOR	SPONGE VISOR	4	
	6421A	6421A-LFC2-E10	ASSY METER VISOR	ASSY METER VISOR	1	
**	88110	88110-LEB5-C10	MIRROR ASSY R BACK	MIRROR ASSY R BACK	1	
**	88120	88120-LEB5-C10	MIRROR ASSY L BACK	MIRROR ASSY L BACK	1	



F03

# Handle Steering Handle Cover

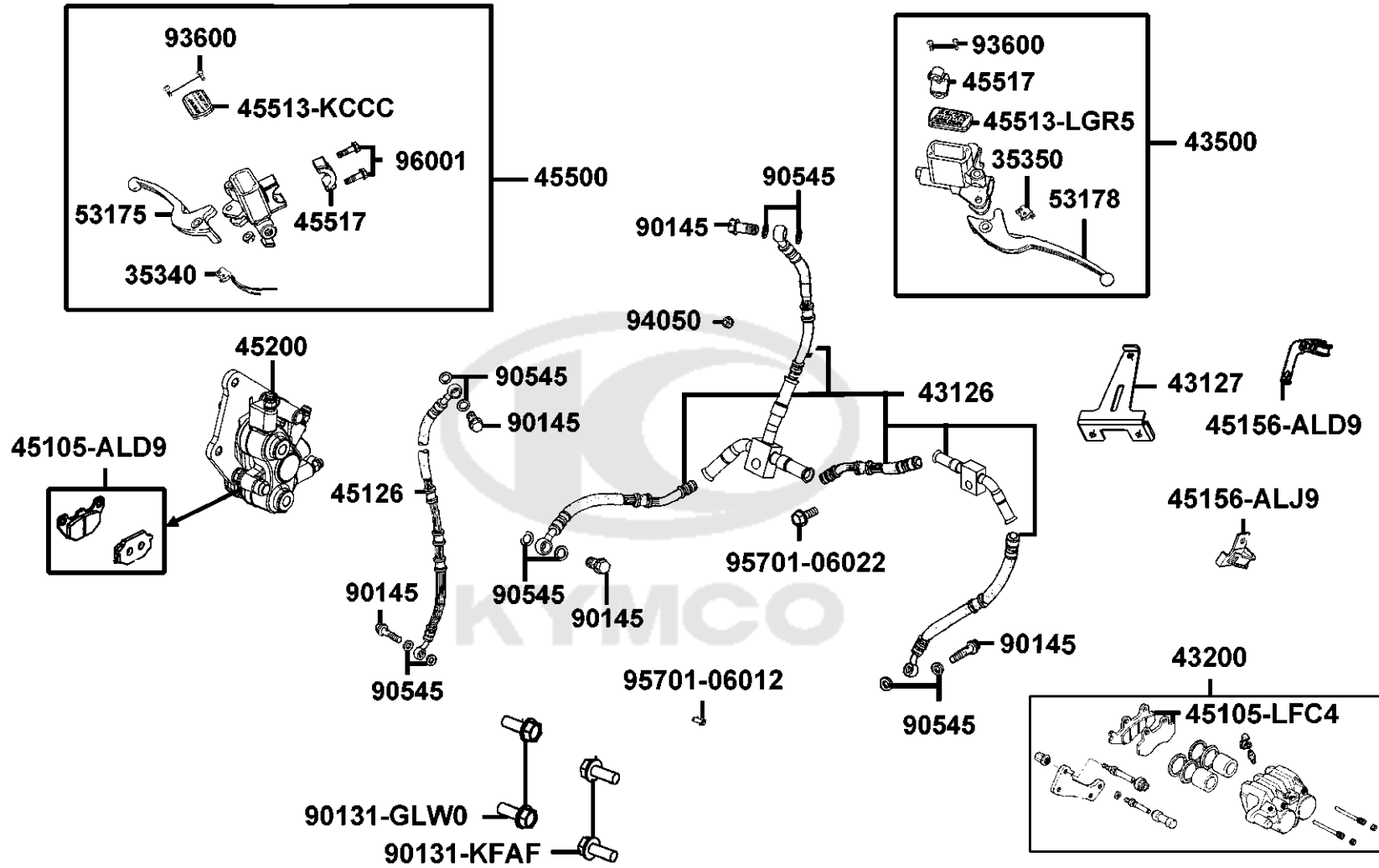


Sales mark	Ref no	Part no	Description	Reg description	Regd no	<b>F03</b>
	90106-GEN5	90106-GEN5-901	BOLT FLANGE 10*50	BOLT FLANGE 10*50	1	
	90106-KFC2	90106-KFC2-900	"BOLT-WASH.,8MM"	"BOLT-WASH.,8MM"	2	
	90302	90302-LLB1-C01	BOLT-WASH 5*12	BOLT-WASH 5*12	1	
	90304	90304-GHE8-C00	NUT U 10MM (C)	NUT U 10MM (C)	1	
	90652	90652-LCA4-C10	CLIP MUDGUARD	CLIP MUDGUARD	1	
	93500	93500-05025	SCREW PAN 5*25	SCREW PAN 5*25	2	
	93903-34380	93903-34380	SCREW TAPPING 4*12 (K)	SCREW TAPPING 4*12 (K)	6	
	93903-35280	93903-35280-G	SCREW TAPPING 5*12 (K)	SCREW TAPPING 5*12 (K)	2	



F04

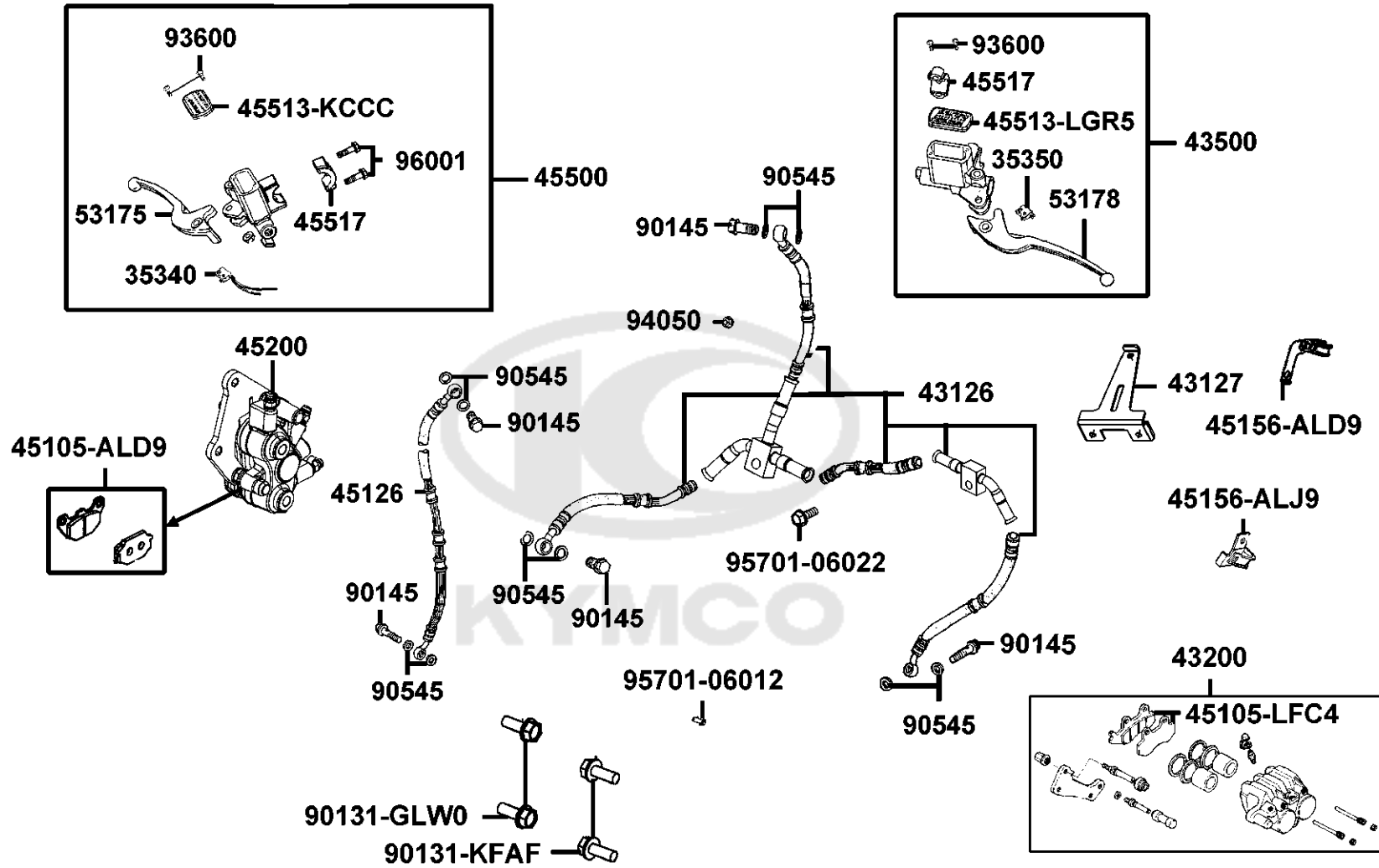
# Brake Master Cylinder



Sales mark	Ref no	Part no	Description	Reg description	Regd no	<b>F04</b>
	35340	35340-KNBN-C00	SW ASSY FR STOP	SW ASSY FR STOP	1	
	35350	35350-KNBN-C00	SW ASSY RR STOP	SW ASSY RR STOP	1	
	43126	43126-ALJ9-E12	HOSE ASSY RR BRK	HOSE ASSY RR BRK	1	
	43127	43127-ALJ9-E12	HANDLE COMP STRG	HANDLE COMP STRG	1	
	43500	43500-LFC3-E10	M/C ASY RR BRK	M/C ASY RR BRK	1	
	45105-ALD9	45105-ALD9-306	PAD SET	PAD SET	1	
	45105-LFC4	45105-LFC4-305	PAD A&B	PAD A&B	1	
	45126	45126-ALJ9-E12	HOSE ASSY FR BRK	HOSE ASSY FR BRK	1	
	45156-ALD9	45156-ALD9-E14	CLAMPER BRK HOSE	CLAMPER BRK HOSE	1	
	45156-ALJ9	45156-ALJ9-E15	CLAMPER FR BRAKE HOSE	CLAMPER FR BRAKE HOSE	1	
	45500	45500-ALJ8-E10	M/C ASSY FR	M/C ASSY FR	1	
	45513-KCCC	45513-KCCC-900	CAP M/C	CAP M/C	1	
	45513-LGR5	45513-LGR5-E10	CAP M/C	CAP M/C	1	
	45517	45517-KFAF-910	HOLDER M/C	HOLDER M/C	1	
	53175	53175-KTCT-C01	LEVER R STRG HNDL	LEVER R STRG HNDL	1	
**	53178	53178-KNBN-C00	LEVER L STRG HANDLE	LEVER L STRG HANDLE	1	
	90131-GLW0	90131-GLW0-C02	BOLT FLANGE 8*35	BOLT FLANGE 8*35	1	
	90131-KFAF	90131-KFAF-C02	BOLT FLANGE 8*42	BOLT FLANGE 8*42	1	
	90145	90145-9A61-C00	OIL BOLT 10*22	OIL BOLT 10*22	1	
	90545	90545-3L00-C00	WASHER OIL BOLT	WASHER OIL BOLT	1	

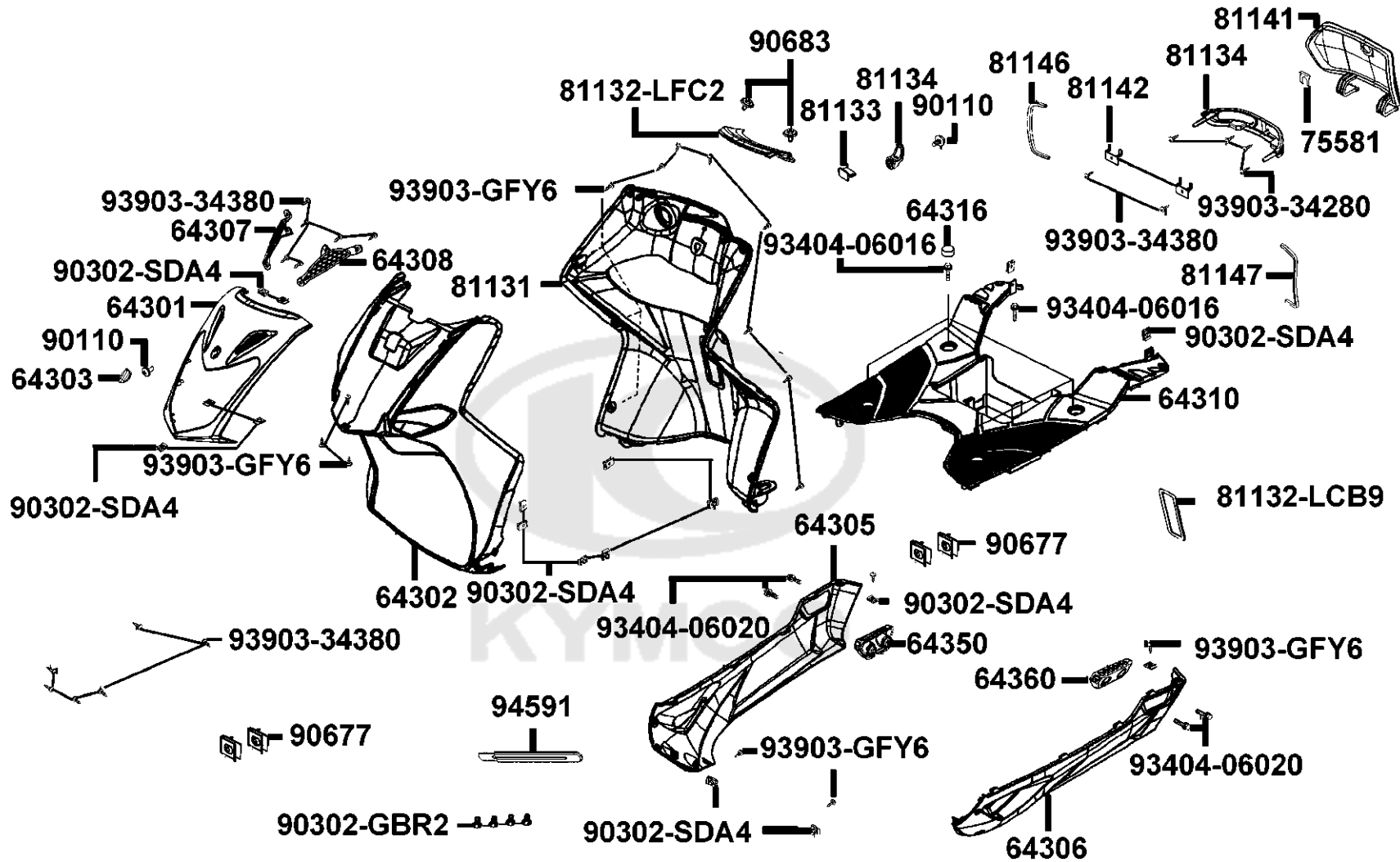
F04

# Brake Master Cylinder



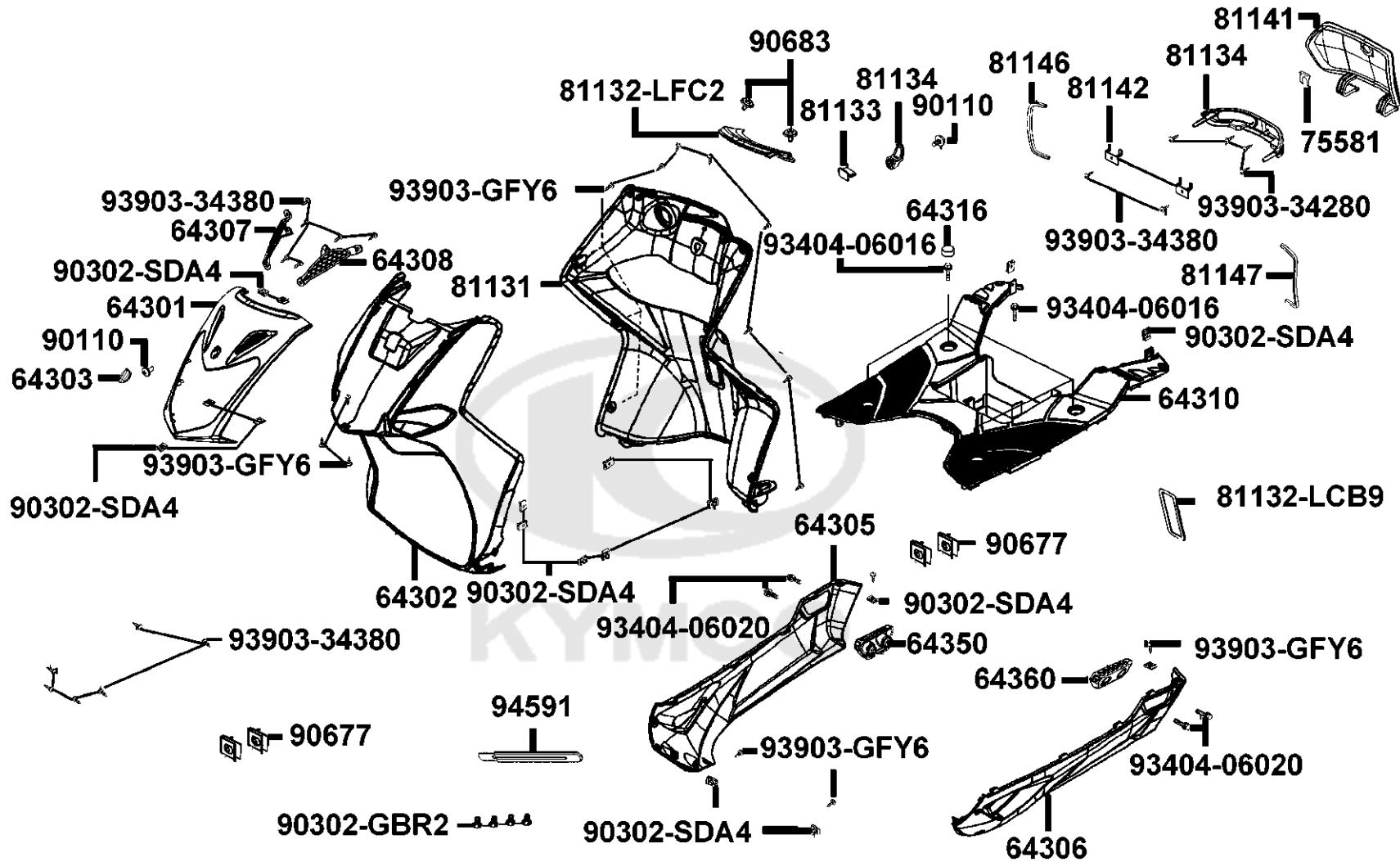
Sales mark	Ref no	Part no	Description	Reg description	Regd no	<b>F04</b>
93600		93600-04012-1G	SCREW FLAT 4*12 (K)	SCREW FLAT 4*12 (K)	2	
94050		94050-06070-G	BOLT FLANGE 6MM	BOLT FLANGE 6MM	1	
95701-06012		95701-06012-07G	BOLT FLANGE 6*12 (K)	BOLT FLANGE 6*12 (K)	1	
95701-06022		95701-06022-07G	BOLT FLANGE 6*22	BOLT FLANGE 6*22	1	
96001		96001-06025-00	BOLT FLANGE SH 6*25	BOLT FLANGE SH 6*25	1	





Sales mark	Ref no	Part no	Description	Reg description	Regd no	F05
**	64301	64301-LFC2-E10	"COVER, FRONT"	"COVER, FRONT"	1	
**	64302	64302-LFC2-E10	MOLD FRONT	MOLD FRONT	1	
**	64303	64303-LFC2-E10	CAP FR COVER	CAP FR COVER	1	
**	64305	64305-LFC2-E10	SKIRT R SIDE	SKIRT R SIDE	1	
**	64306	64306-LFC2-E10	SKIRT L SIDE	SKIRT L SIDE	1	
**	64307	64307-LFC2-E10	GRILLE R FR MOLDING	GRILLE R FR MOLDING	1	
**	64308	64308-LFC2-E10	GRILLE L FR MOLDING	GRILLE L FR MOLDING	1	
**	64310	64310-LFC2-E11	FLOOR PANEL	FLOOR PANEL	1	
**	64316	64316-LCB9-C10	PLUG FLOOR	PLUG FLOOR	1	
**	64350	64350-LFC2-E11	COVER R STEP	COVER R STEP	1	
**	64360	64360-LFC2-E11	COVER L STEP	COVER L STEP	1	
	75581	75581-6C73-C00	SET SPG LOCK KET(43*C)	SET SPG LOCK KET(43*C)	1	
**	81131	81131-LFC2-E10	LEG SHIELD	LEG SHIELD	1	
**	81132-LCB9	81132-LCB9-C10	LID LEG SHIELD	LID LEG SHIELD	1	
**	81132-LFC2	81132-LFC2-E10	CAP LEG SHIELD UP	CAP LEG SHIELD UP	1	
	81133	81133-KNBN-C00	STOPPER LUGGAGE	STOPPER LUGGAGE	1	
**	81134	81134-LFC2-E10	PLATE INNER BOX	PLATE INNER BOX	1	
**	81141	81141-LFC2-E10	LID INNER BOX	LID INNER BOX	1	
	81142	81142-KFA6-C00	STAY LID INNER BOX	STAY LID INNER BOX	1	
	81146	81146-LFC2-E10	SEAL A LID INNER BOX	SEAL A LID INNER BOX	1	

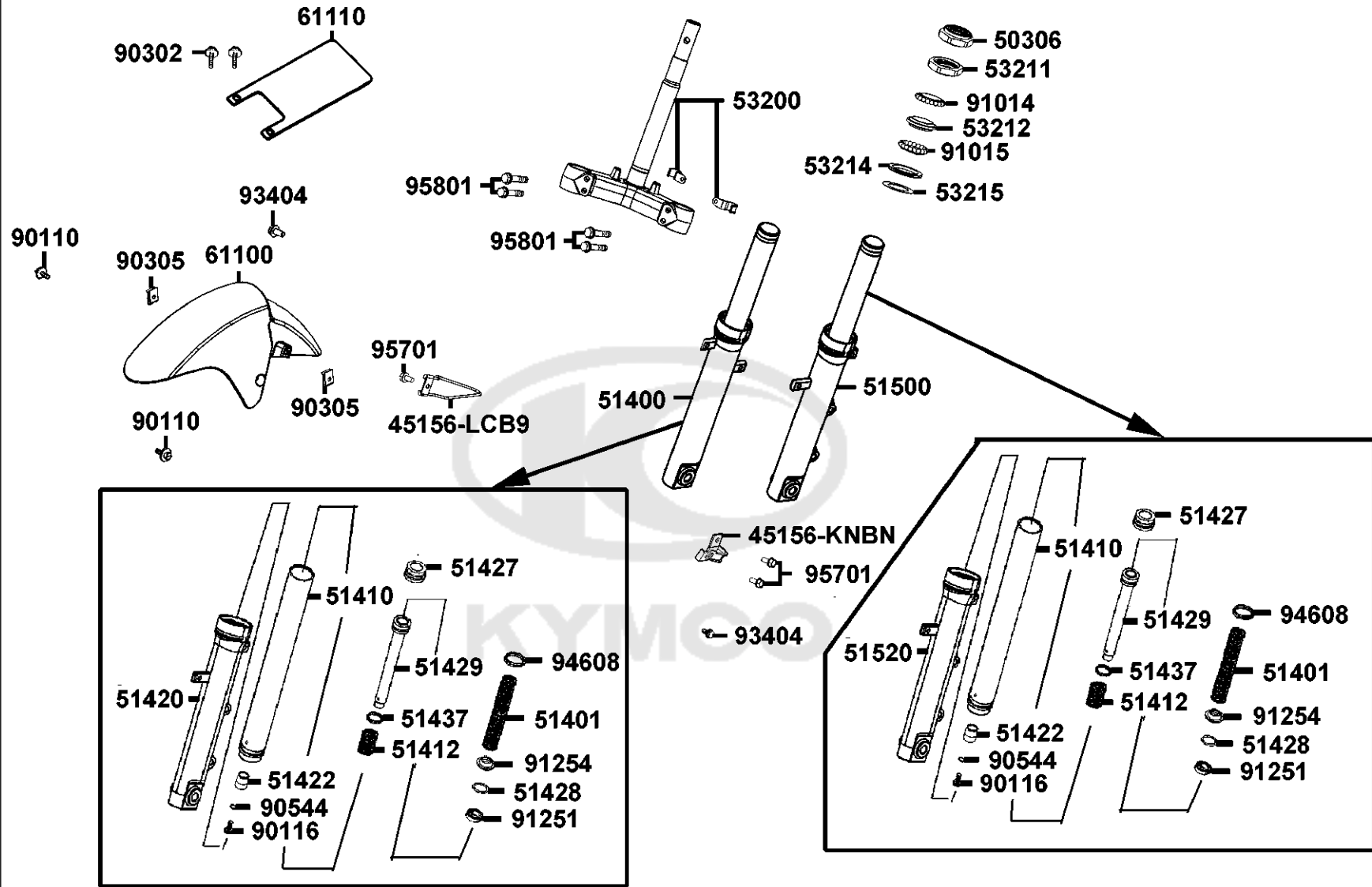




Sales mark	Ref no	Part no	Description	Reg description	Regd no	F05
81147		81147-LFC2-E10	SEAL B LID INNER BOX	SEAL B LID INNER BOX	1	
90110		90110-GLW0-C00	SCREW SPECIAL 6*14(CR)	SCREW SPECIAL 6*14(CR)	1	
90302-GBR2		90302-GBR2-C01	BOLT WASHER 5*16	BOLT WASHER 5*16	4	
90302-SDA4		90302-SDA4-C00	NUT SPRING 4MM	NUT SPRING 4MM	12	
90302-SDA4		90302-SDA4-C01	NUT SPRING 4MM	NUT SPRING 4MM	12	
90677		90677-GAR1-C01	NUT CLIP 5MM	NUT CLIP 5MM	4	
90683		90683-GAR1-C00	CLIP BODY COVER	CLIP BODY COVER	1	
93404-06016		93404-06016-07	BOLT WASHER 6*16 (K)	BOLT WASHER 6*16 (K)	1	
93404-06020		93404-06020-07	BOLT WASH 6*20 (K)	BOLT WASH 6*20 (K)	8	
93903-34280		93903-34280-G	SCREW TAPPING 4*10(K)	SCREW TAPPING 4*10(K)	4	
93903-34380		93903-34380	SCREW TAPPING 4*12 (K)	SCREW TAPPING 4*12 (K)	16	
93903-GFY6		93903-GFY6-C00	SCREW TAPPING 4*14	SCREW TAPPING 4*14	1	
93903-GFY6		93903-GFY6-C01	SCREW TAPPING 4*14(K)	SCREW TAPPING 4*14(K)	1	
94591		94591-LGR5-E10	CLIP 1*100	CLIP 1*100	1	

F06

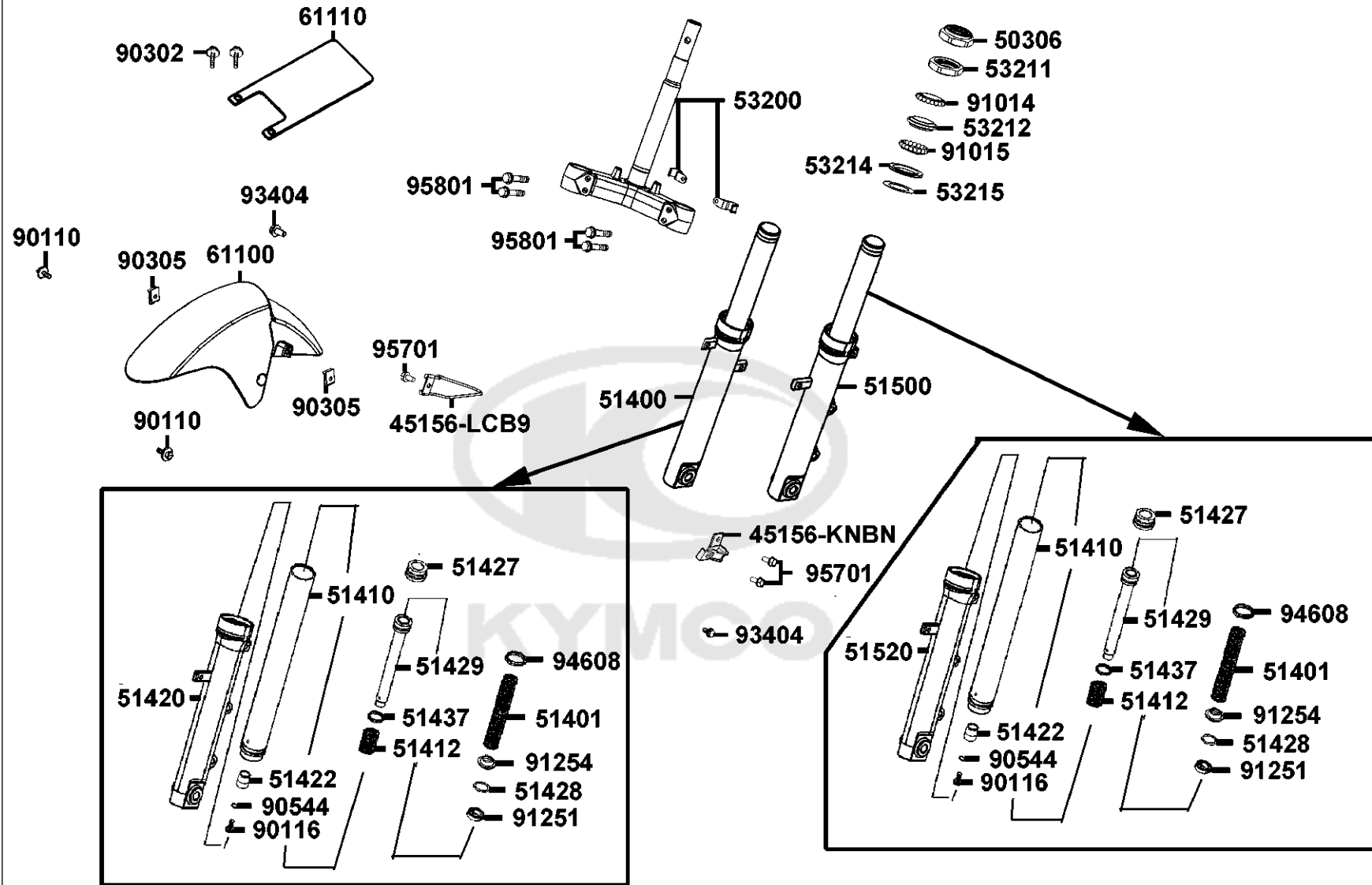
# Stem Steering Front Cushion



Sales mark	Ref no	Part no	Description	Reg description	Regd no	F06
	45156-KNBN	45156-KNBN-C00	CLAMPER FR BRAKE HOSE	CLAMPER FR BRAKE HOSE	1	
	45156-LCB9	45156-LCB9-B20	CLAMPER FR SPDMT CABLE ()	CLAMPER FR SPDMT CABLE ()	1	
	50306	50306-1F96-C00	NUT STRG STEM LOCK	NUT STRG STEM LOCK	1	
	51401	51401-LFC3-E10	SPRING	SPRING	1	
	51410	51410-LEJ2-E10	FORK PIPE COMP	FORK PIPE COMP	2	
	51412	51412-LEJ2-E10	REBOUND SPRING	REBOUND SPRING	2	
	51422	51422-LEJ2-E10	OIL LOCK PIECE	OIL LOCK PIECE	2	
	51427	51427-LEJ2-E10	FORK BOLT	FORK BOLT	2	
	51428	51428-LEJ2-E10	OIL SEAL STOPPER	OIL SEAL STOPPER	2	
	51429	51429-LFC3-E10	PIPE SEAT	PIPE SEAT	1	
	51437	51437-LEJ2-E10	PISTON RING	PISTON RING	2	
**	51500	51500-LFC3-E10	FORK ASSY L FR	FORK ASSY L FR	1	
	53200	53200-LFC3-E15	STEM COMP STRG	STEM COMP STRG	1	
	53211	53211-GFY6-C00	RACE STRG TOP CONE	RACE STRG TOP CONE	1	
	53212	53212-2L50-C00	RACE (STRG BOTTOM) CONE	RACE (STRG BOTTOM) CONE	1	
	53214	53214-2L50-C00	DUST SEAL STRG (HEAD)	DUST SEAL STRG (HEAD)	1	
	53215	53215-2L50-C00	WASH STRG HDL DUST-SEAL	WASH STRG HDL DUST-SEAL	1	
**	61100	61100-LFC2-E10	FENDER FR	FENDER FR	1	
	61110	61110-LFC2-E10	"PLATE,INNER FENDER SPLASH GUARD"	"PLATE,INNER FENDER SPLASH GUARD"	1	
	90110	90110-KEB7-C01	SCREW SPECIAL 6*14	SCREW SPECIAL 6*14	1	

F06

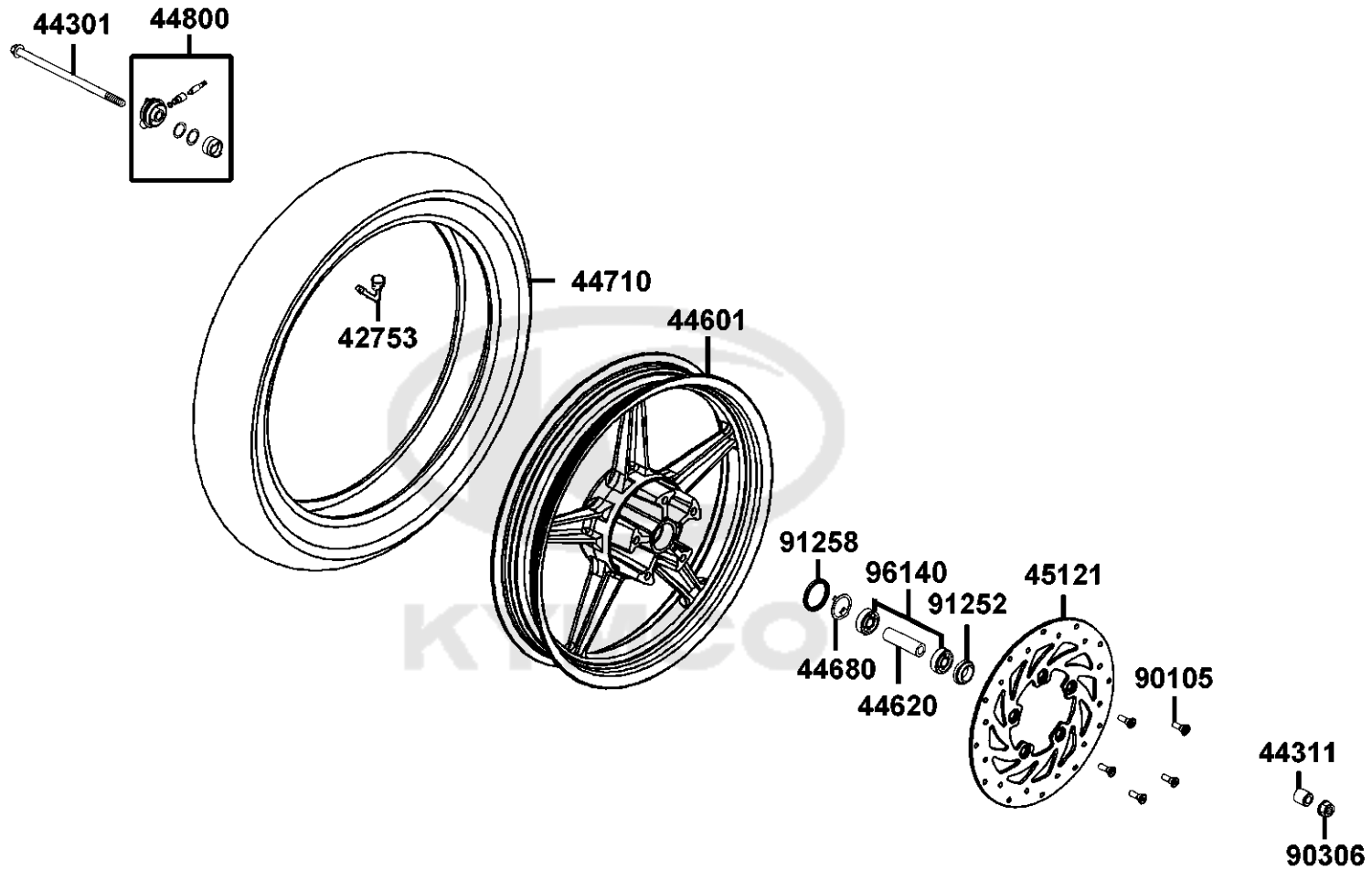
### Stem Steering Front Cushion



Sales mark	Ref no	Part no	Description	Reg description	Regd no	F06
90116		90116-LEJ2-E10	BOLT	BOLT	2	
90302		90302-KNBN-C01	BOLT PAN 5*15.5(K)	BOLT PAN 5*15.5(K)	1	
90305		90305-GHK8-C00	NUT U 16MM(C)	NUT U 16MM(C)	1	
90544		90544-LEJ2-E10	PACKINGCUB	PACKINGCUB	1	
91014		91014-LLJ3-C00	CAGE STRG TOPP	CAGE STRG TOPP	1	
91015		91015-LLJ3-C00	CAGE STRG BOT	CAGE STRG BOT	1	
91251		91251-LEJ2-E10	OIL SEAL	OIL SEAL	1	
91254		91254-LEJ2-E10	DUST SEAL	DUST SEAL	1	
93404		93404-06025-07G	BOLT WASHER 6*25 (C)	BOLT WASHER 6*25 (C)	1	
94608		94608-LEJ2-E10	O-RING B	O-RING B	1	
95701		95701-06012-08	BOLT FLANGE 6*12	BOLT FLANGE 6*12	3	
95801		95801-08040-08G	BOLT FLANGE 8*40 (C)	BOLT FLANGE 8*40 (C)	4	

F07

Front Wheel

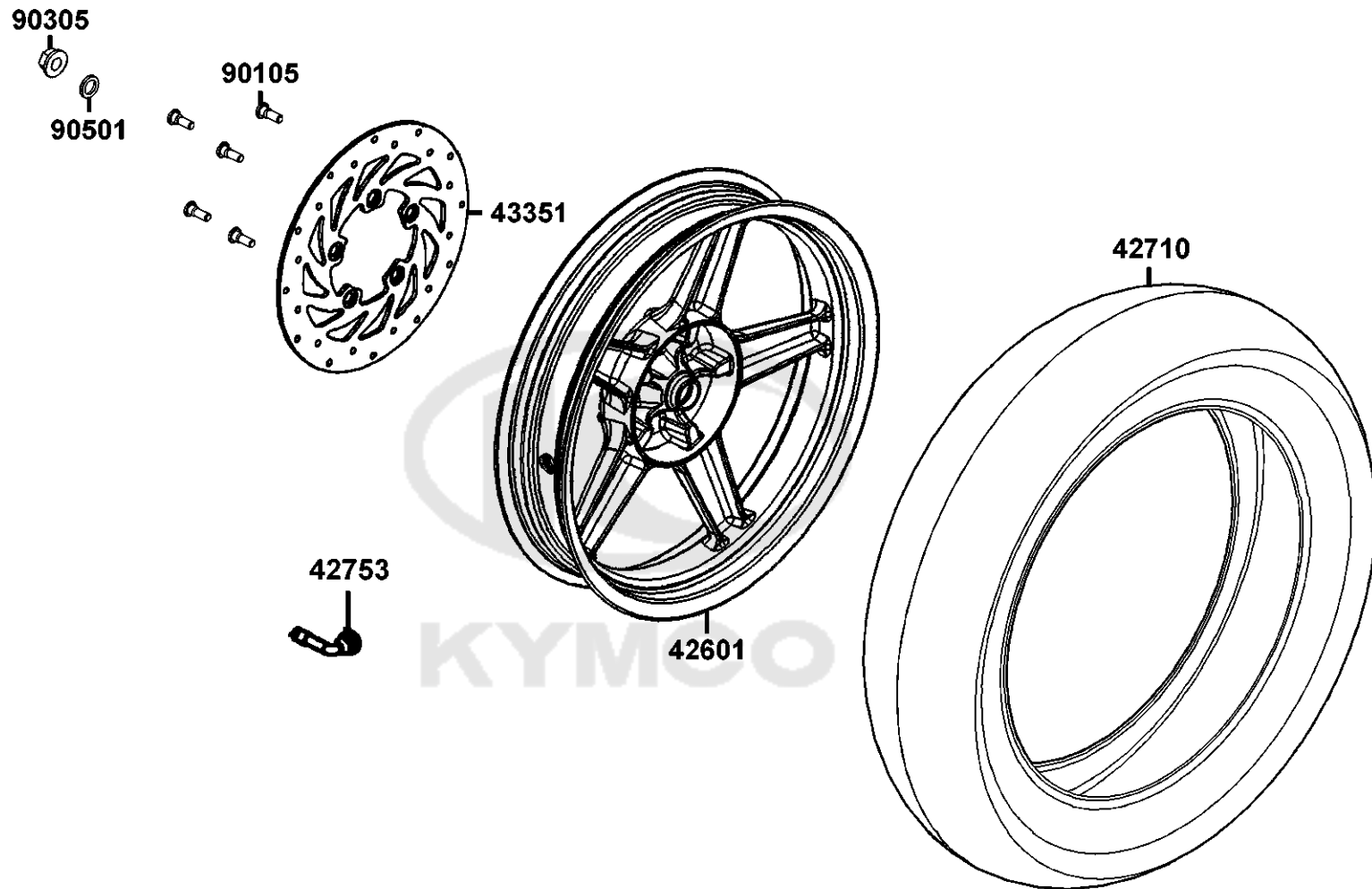


Sales mark	Ref no	Part no	Description	Reg description	Regd no	<b>F07</b>
	42753	42753-0A01-C00	VALVE (TR 412) & CAP (C)	VALVE (TR 412) & CAP (C)	1	
	44301	44301-LEJ2-E12	AXLE FR WHEEL 12*243(C)	AXLE FR WHEEL 12*243(C)	1	
	44311	44311-LFC2-E10	COLLAR FR WHEEL SIDE	COLLAR FR WHEEL SIDE	1	
**	44601	44601-LFC2-E10	WHEEL CAST FR	WHEEL CAST FR	1	
	44620	44620-KFLF-C00	COLLAR FR DIST	COLLAR FR DIST	1	
	44680	44680-4L10-C00	RETAINER GEAR BOX	RETAINER GEAR BOX	1	
	44710	44710-LFC4-E91	TIRE FR	TIRE FR	1	
	44800	44800-LKD1-E10	GEAR BOX ASSY SPDMT	GEAR BOX ASSY SPDMT	1	
	45121	45121-LFC2-E80	DISK FR BRK	DISK FR BRK	1	
	90105	90105-KCR3-C02	BOLT FR DISK 8*24	BOLT FR DISK 8*24	5	
	90306	90306-KLF0-C02	NUT FLANGE 12MM(B)	NUT FLANGE 12MM(B)	1	
	91252	91252-0L30-004	OIL SEAL 23*37*7	OIL SEAL 23*37*7	1	
	91252	91252-0L30-C00	OIL SEAL 23*37*7	OIL SEAL 23*37*7	1	
	91258	91258-4L10-007	DUST SEAL 40*50*5	DUST SEAL 40*50*5	1	
	96140	96140-63010-10	BEARING BALL RADIAL 6301	BEARING BALL RADIAL 6301	1	



F08

Rear Wheel

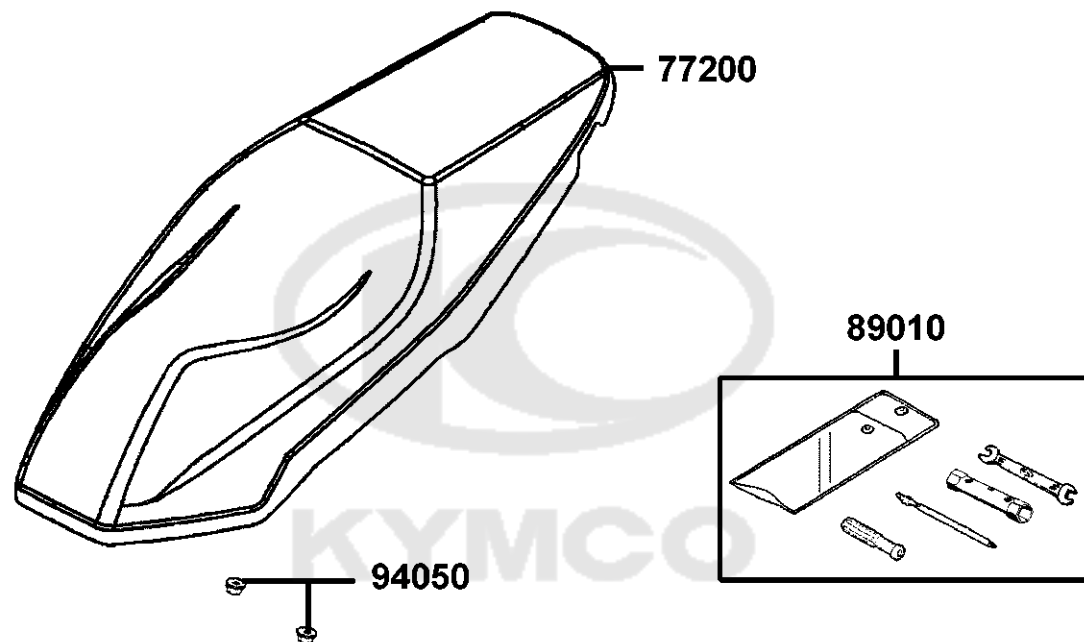


Sales mark	Ref no	Part no	Description	Reg description	Regd no	<b>F08</b>
**	42601	42601-LFC3-E10	WHEEL COMP RR CAST	WHEEL COMP RR CAST	1	
	42710	42710-LFC4-E91	TIRE ASSY RR	TIRE ASSY RR	1	
	42753	42753-0A01-C00	VALVE (TR 412) & CAP (C)	VALVE (TR 412) & CAP (C)	1	
	43351	43351-LFC3-E80	DISK RR BRK	DISK RR BRK	1	
	90105	90105-KCR3-C02	BOLT FR DISK 8*24	BOLT FR DISK 8*24	1	
	90305	90305-PUA3-B51	NUT U 16MM(C)	NUT U 16MM(C)	1	
	90501	90501-KNBN-C01	WASHER 16MM	WASHER 16MM	1	



F09

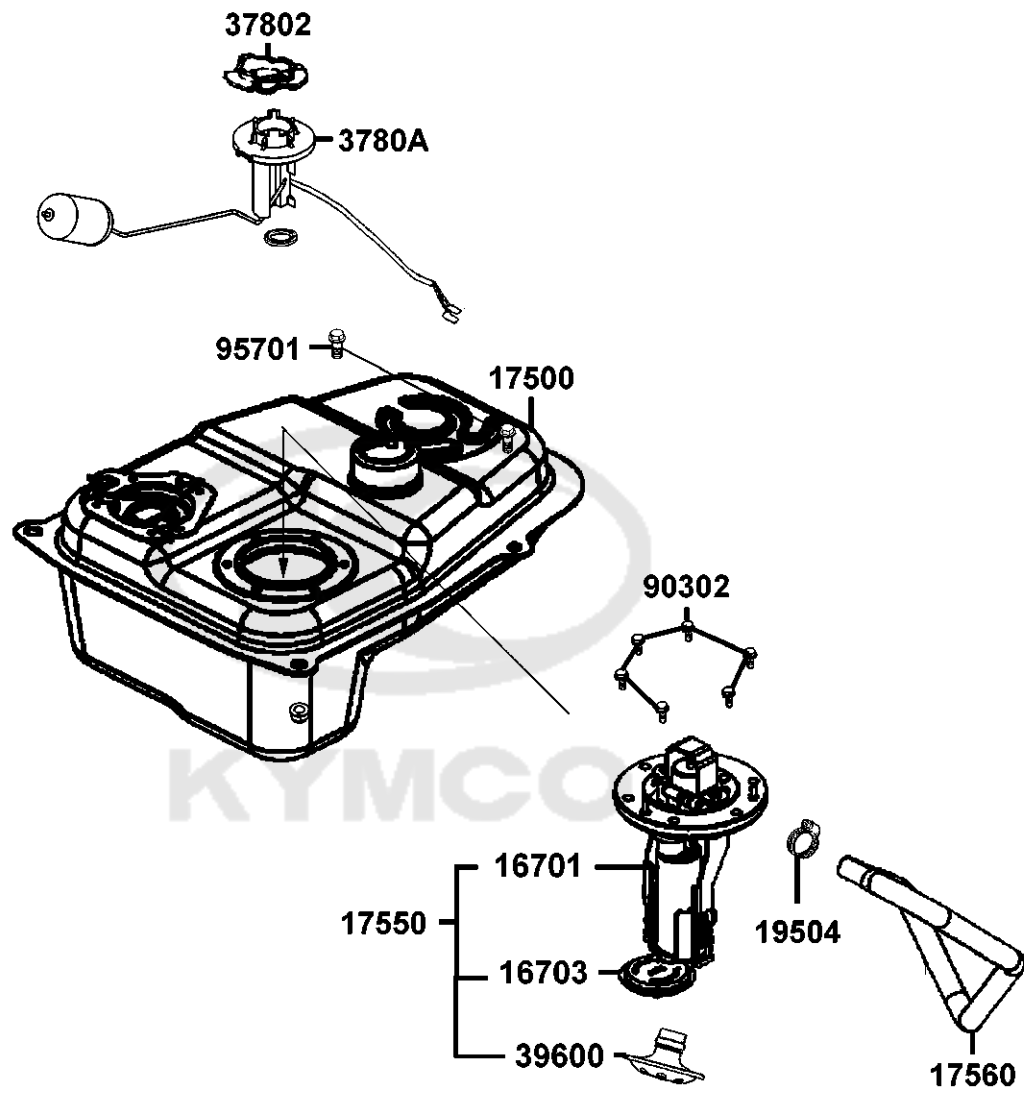
Seat



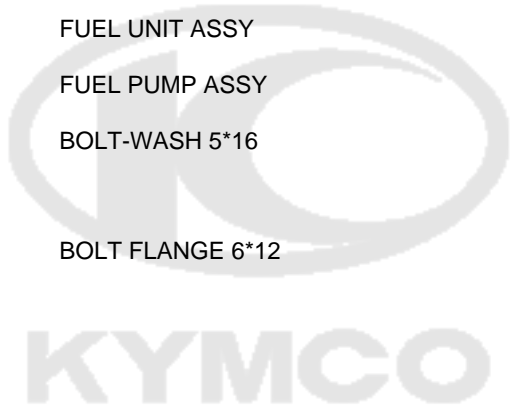
Sales mark	Ref no	Part no	Description	Reg description	Regd no	<b>F09</b>
------------	--------	---------	-------------	-----------------	---------	------------

**	77200	77200-LFC3-E12	SEAT ASSY	SEAT ASSY	1	
	89010	89010-KGBG-C00	TOOL SET	TOOL SET	1	
	94050	94050-06080	NUT FLANGE 6MM	NUT FLANGE 6MM	2	



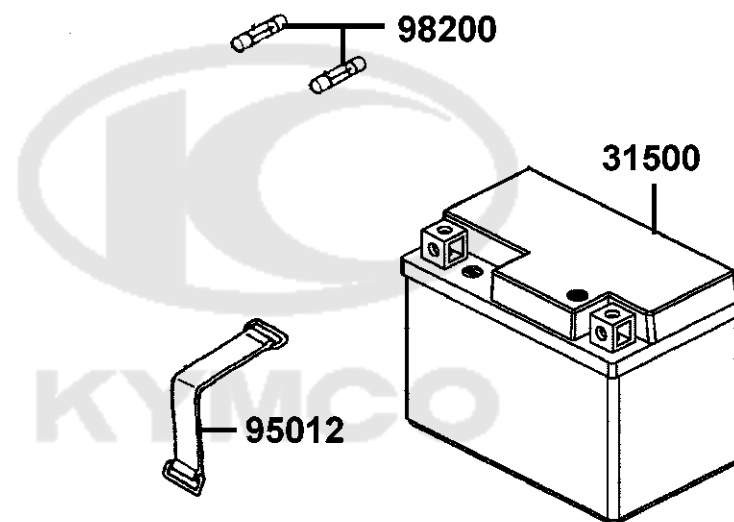


Sales mark	Ref no	Part no	Description	Reg description	Regd no	<b>F10</b>
16701		16701-LKD2-M90	FUEL PUMP COMP	FUEL PUMP COMP	1	
16703		16703-LKD2-M90	FUEL FILTER COMP	FUEL FILTER COMP	1	
17500		17500-LFC3-E15	TANK COMP FUEL	TANK COMP FUEL	1	
17550		17550-LKD2-M91	FUEL PUMP ASSY	FUEL PUMP ASSY	1	
17560		17560-LKD2-E10	TUBE PUMP INJECTOR	TUBE PUMP INJECTOR	1	
19504		19504-LBA2-C00	CLAMP D16.8	CLAMP D16.8	1	
37802		37802-GGA7-C00	RET FUEL UNIT	RET FUEL UNIT	1	
3780A		3780A-LKD2-E10	FUEL UNIT ASSY	FUEL UNIT ASSY	1	
39600		39600-KKE3-800	FUEL PUMP ASSY	FUEL PUMP ASSY	1	
90302		90302-GFY6-C11	BOLT-WASH 5*16	BOLT-WASH 5*16	1	
95701		95701-06012-08	BOLT FLANGE 6*12	BOLT FLANGE 6*12	5	



F11

Battery

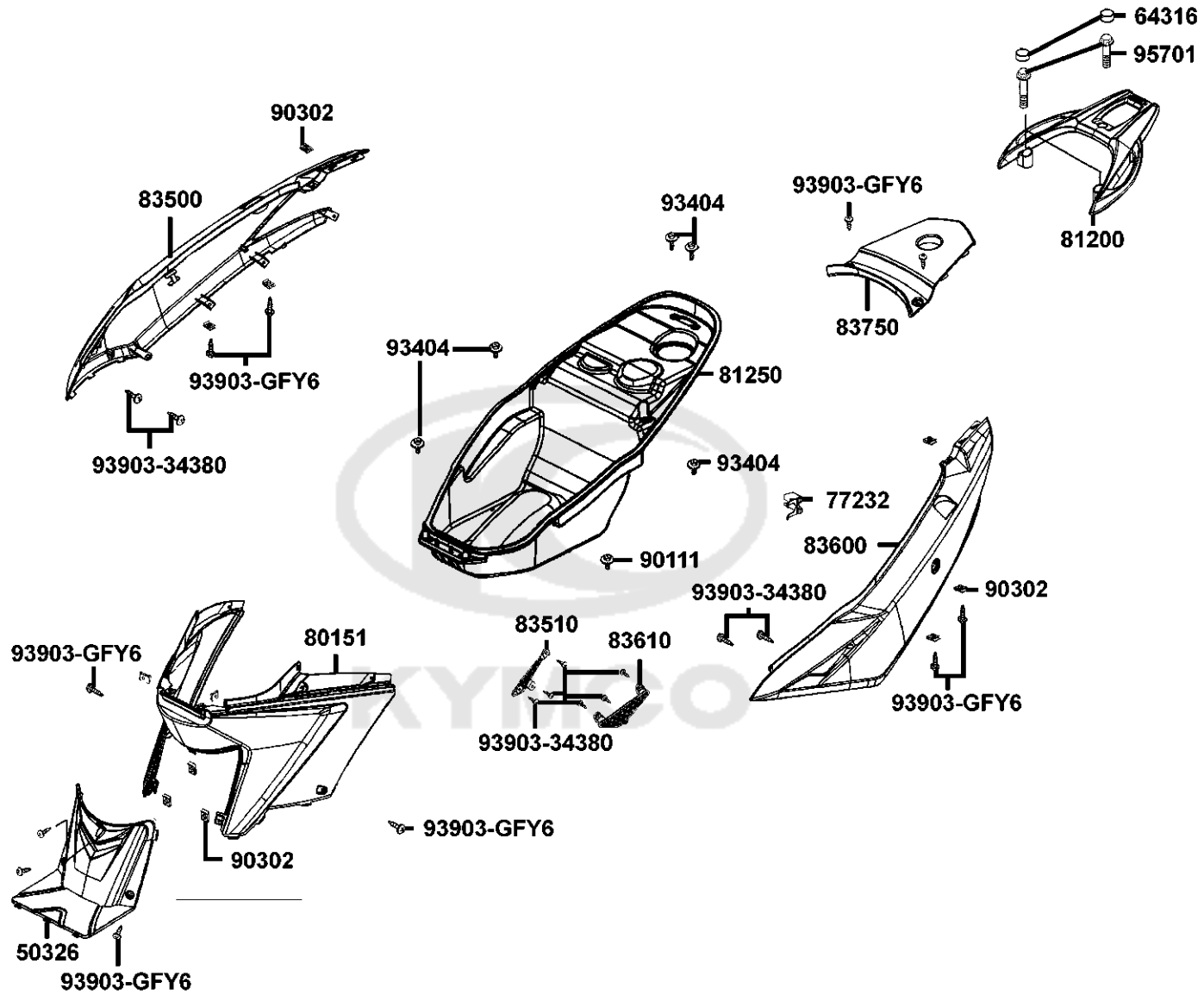


Sales mark	Ref no	Part no	Description	Reg description	Regd no	<b>F11</b>
------------	--------	---------	-------------	-----------------	---------	------------

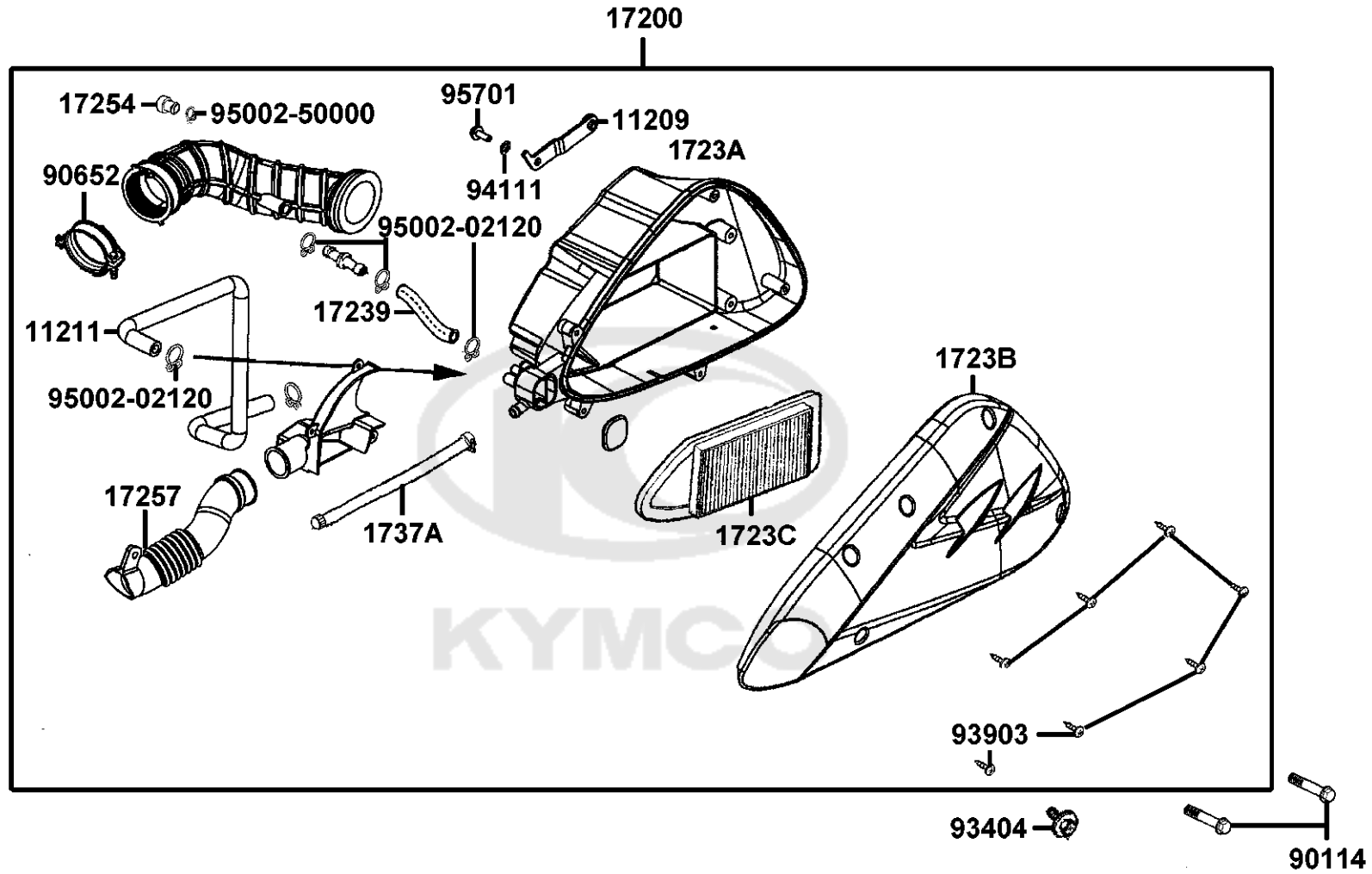
31500		31500-KFAF-C00	BATTERY	BATTERY	1	
95012		95012-LEJ2-E10	BAND BATTERY	BAND BATTERY	1	
98200		98200-11500	FUSE A15	FUSE A15	2	







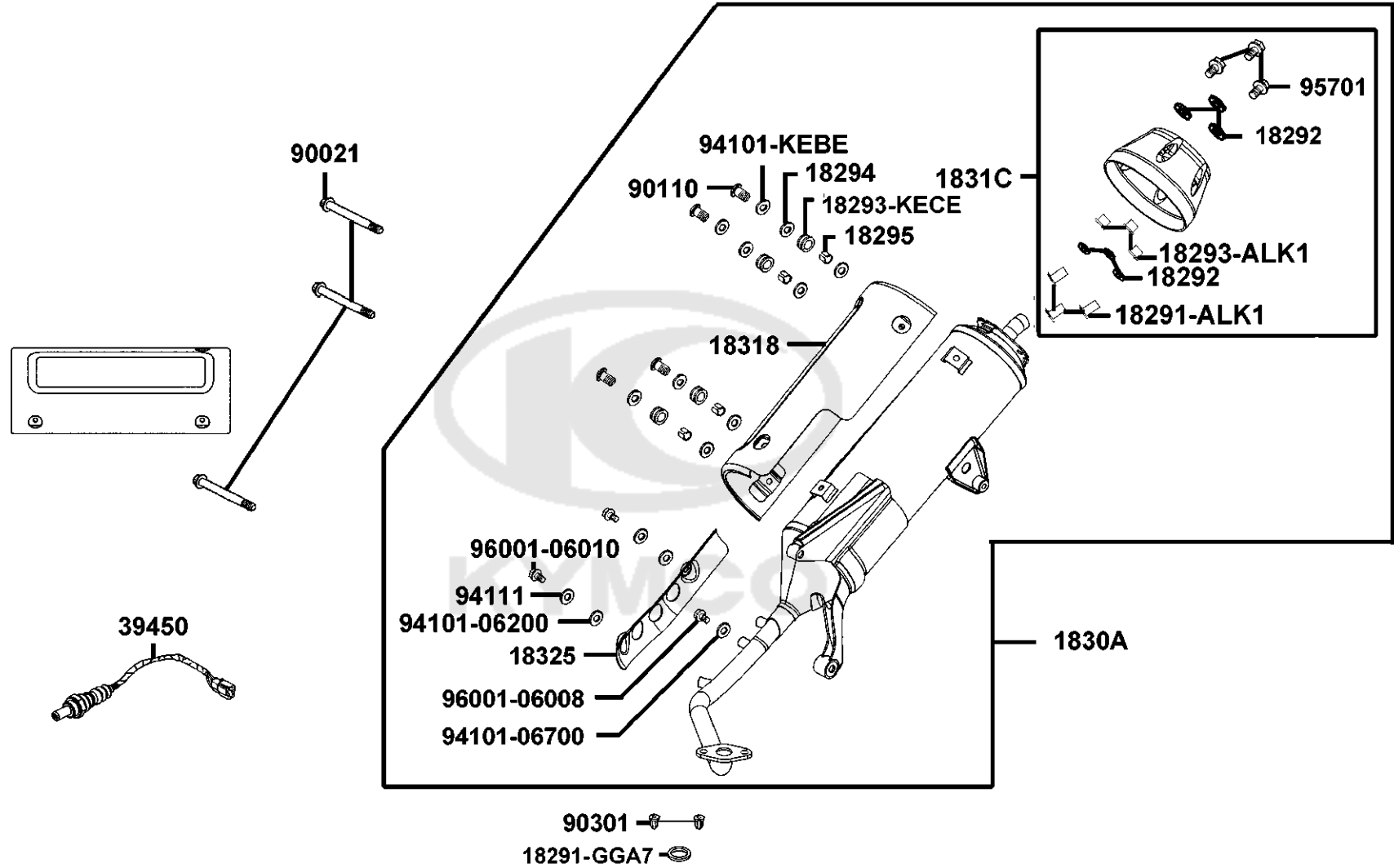
Sales mark	Ref no	Part no	Description	Reg description	Regd no	F12
**	50326	50326-LFC2-E10	COVER BATTERY	COVER BATTERY	1	
**	64316	64316-LCB9-C10	PLUG FLOOR	PLUG FLOOR	3	
	77232	77232-KCAC-C00	SET SPG SEAT LOCK	SET SPG SEAT LOCK	1	
**	80151	80151-LFC2-E10	COVER CENTER	COVER CENTER	1	
**	81200	81200-LFC2-E10	CARRIER RR	CARRIER RR	1	
**	81250	81250-LKD2-E10	BOX LUGGAGE	BOX LUGGAGE	1	
**	83500	83500-LFC2-E10	COVER R BODY	COVER R BODY	1	
**	83510	83510-LFC2-E10	GRILL R SIDE	GRILL R SIDE	1	
**	83600	83600-LFC2-E10	COVER L BODY	COVER L BODY	1	
**	83610	83610-LFC2-E10	GRILL L SIDE	GRILL L SIDE	1	
**	83750	83750-LFC2-E10	COVER RR CENTER	COVER RR CENTER	1	
	90111	90111-1G87-C01	BOLT FLANGE 6MM	BOLT FLANGE 6MM	1	
	90302	90302-SDA4-C00	NUT SPRING 4MM	NUT SPRING 4MM	1	
	90302	90302-SDA4-C01	NUT SPRING 4MM	NUT SPRING 4MM	1	
	93404	93404-06012-07	BOLT WASH 6*12	BOLT WASH 6*12	4	
	93903-34380	93903-34380	SCREW TAPPING 4*12 (K)	SCREW TAPPING 4*12 (K)	10	
	93903-GFY6	93903-GFY6-C00	SCREW TAPPING 4*14	SCREW TAPPING 4*14	1	
	93903-GFY6	93903-GFY6-C01	SCREW TAPPING 4*14(K)	SCREW TAPPING 4*14(K)	1	
	95701	95701-08040-08G	BOLT FLANGE 8*40 (C)	BOLT FLANGE 8*40 (C)	3	



Sales mark	Ref no	Part no	Description	Reg description	Regd no	F13
11209		11209-LCD3-E00	STAY B RR FENDER	STAY B RR FENDER	1	
11211		11211-LKD2-C00	TUBE BREATHER	TUBE BREATHER	1	
17200		17200-ALJ9-E15	AIR/C ASSY	AIR/C ASSY	1	
17239		17239-KHB4-C00	TUBE AIR/C BLOW BY	TUBE AIR/C BLOW BY	1	
1723A		1723A-LKD2-E10	"CASE ASSY., AIR/C"	"CASE ASSY., AIR/C"	1	
1723B		1723B-LFC4-E10	COVER COMP AIR/C	COVER COMP AIR/C	1	
1723C		1723C-LEJ3-E10	ELEMENT COMP AIR/C	ELEMENT COMP AIR/C	2	
17254		17254-KACA-P00	PLUG AIR/C CONN TUBE	PLUG AIR/C CONN TUBE	1	
17257		17257-LFC4-E10	DUCT AIR/C	DUCT AIR/C	1	
1737A		1737A-LCD3-E00	V TUBE ASSY	V TUBE ASSY	1	
90114		90114-GDM4-C01	BOLT M6*28	BOLT M6*28	1	
90652		90652-GFY6-C00	BAND 49 AIR/C CONNECTING TUBE	BAND 49 AIR/C CONNECTING TUBE	1	
93404		93404-06012-07	BOLT WASH 6*12	BOLT WASH 6*12	1	
93903		93903-25480	SCREW TAPPING 5*20 (K)	SCREW TAPPING 5*20 (K)	1	
94111		94111-06800	WASHER PLAIN 6MM	WASHER PLAIN 6MM	1	
95002-02120		95002-02120	CLIP B12 TUBE	CLIP B12 TUBE	1	
95002-50000		95002-50000	CLIP C9 TUBE	CLIP C9 TUBE	1	
95701		95701-06008-08	WASHER PLAIN 12MM (C)	WASHER PLAIN 12MM (C)	1	

F14

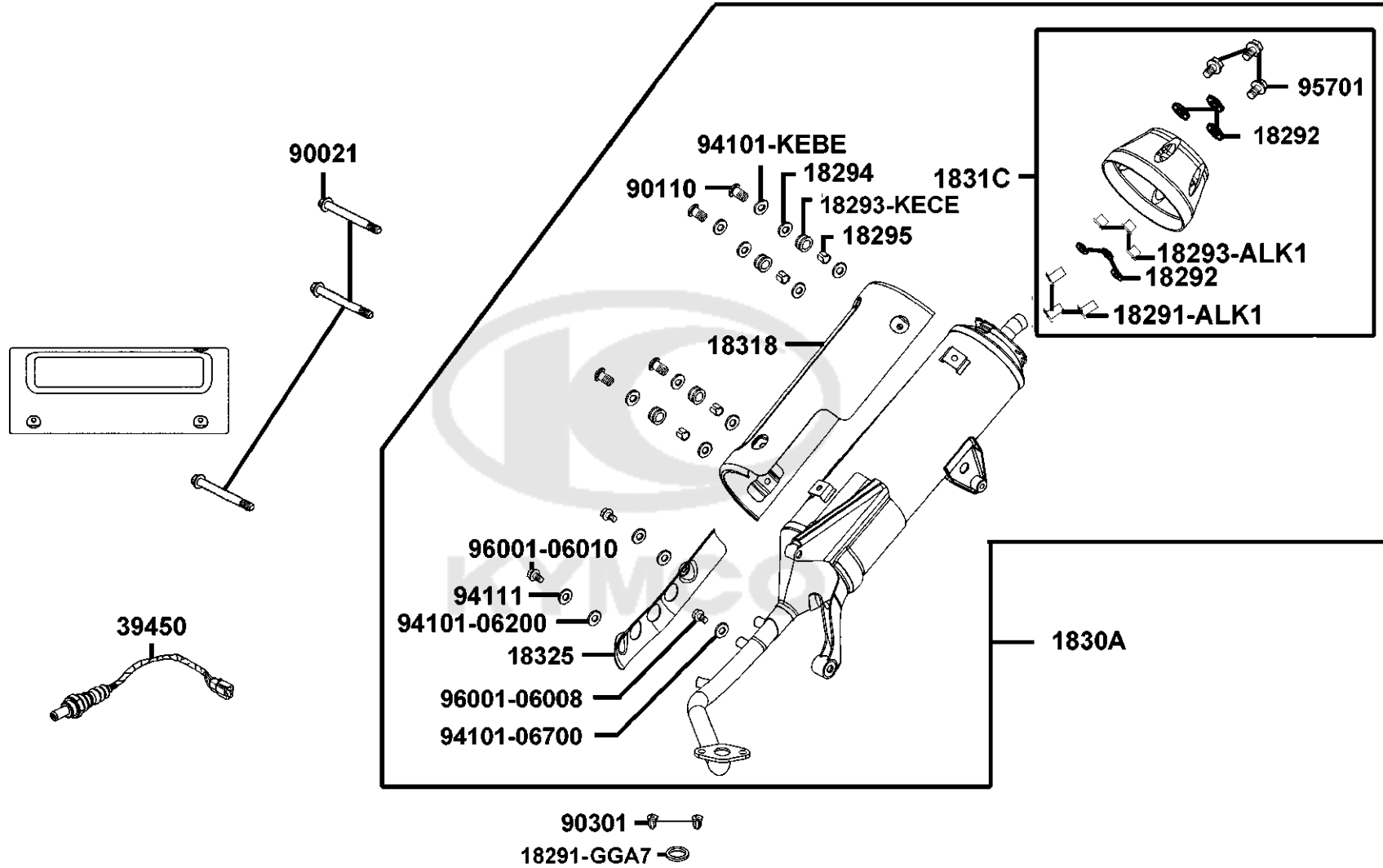
Exhaust Muffler



Sales mark	Ref no	Part no	Description	Reg description	Regd no	F14
	18291-ALK1	18291-ALK1-E10	COLLAR	COLLAR	1	
	18291-GGA7	18291-GGA7-C01	GASKET EXH PIPE	GASKET EXH PIPE	1	
	18292	18292-KEBE-C00	PACKING PROTECTOR	PACKING PROTECTOR	1	
	18293-ALK1	18293-ALK1-E10	"RUBBER,PKG PROTR"	"RUBBER,PKG PROTR"	1	
	18293-KECE	18293-KECE-C00	RUBBER A PROTR	RUBBER A PROTR	8	
	18294	18294-PUA3-B50	PACKING PTOTECTOR	PACKING PTOTECTOR	10	
	18295	18295-KECE-C00	COLLAR 6MM	COLLAR 6MM	1	
	1830A	1830A-LFC3-E15	MUFFLER ASSY EXH	MUFFLER ASSY EXH	1	
**	18318	18318-LCD3-C00	PTOTECTOR MUFFLER	PTOTECTOR MUFFLER	1	
	1831C	1831C-ALK1-E90	ASSY C.MUFFLER	ASSY C.MUFFLER	1	
**	18325	18325-LFC3-E10	MUFFLER COMP EXH	MUFFLER COMP EXH	1	
	39450	39450-LEA6-800	O2 SENSOR	O2 SENSOR	1	
	90021	90021-GFY6-C11	BOLT WASHER COMP	BOLT WASHER COMP	1	
	90110	90110-LCD4-E00	MUFFLER COMP EXH	MUFFLER COMP EXH	4	
	90301	90301-GFY6-C01	NUT (HEX) CAP 8MM	NUT (HEX) CAP 8MM	1	
	94101-06200	94101-06200	WASHER PLANE 6MM	WASHER PLANE 6MM	2	
	94101-06700	94101-06700	WASHER PLAIN 6MM (K)	WASHER PLAIN 6MM (K)	1	
	94101-KEBE	94101-KEBE-C00	WASHER PLAIN 6MM	WASHER PLAIN 6MM	1	
	94111	94111-06800	WASHER PLAIN 6MM	WASHER PLAIN 6MM	2	
	95701	95701-LGR5-E10	BOLT FLANGE SH 6*25	BOLT FLANGE SH 6*25	1	

F14

Exhaust Muffler

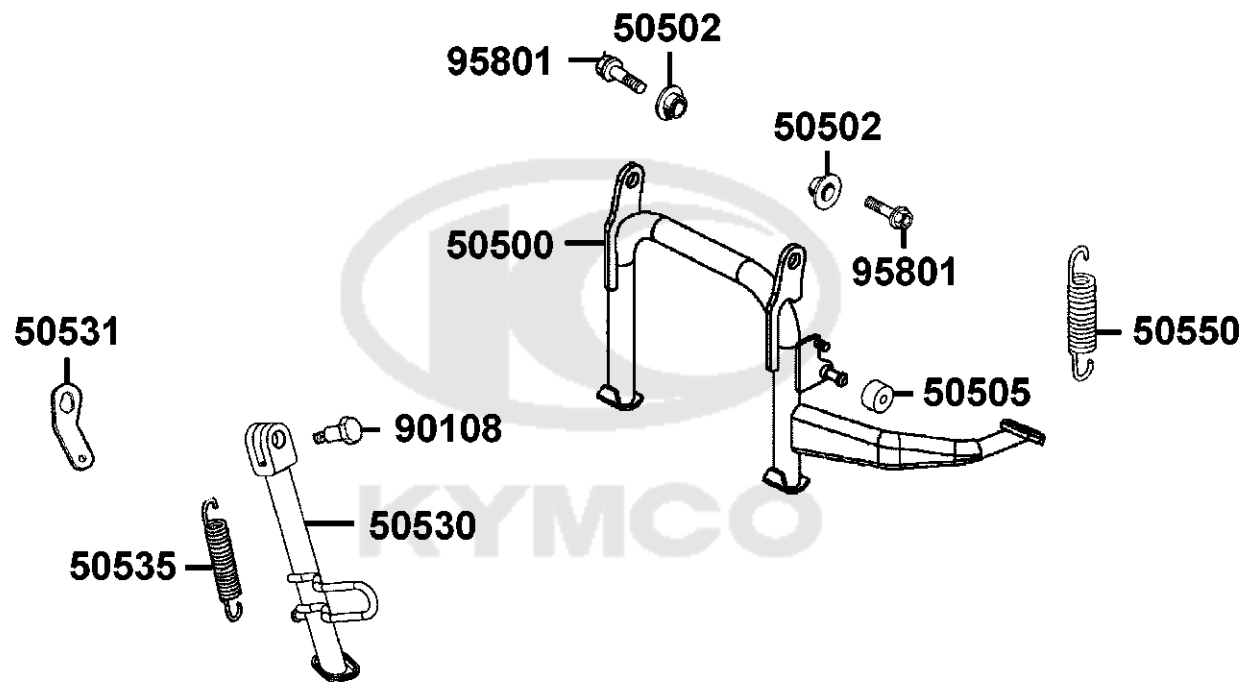


Sales mark	Ref no	Part no	Description	Reg description	Regd no	<b>F14</b>
------------	--------	---------	-------------	-----------------	---------	------------

	96001-06008	96001-06008-07	BOLT FLANGE 6*10	BOLT FLANGE 6*10	1	
	96001-06010	96001-06010-02	BOLT FLANGE SH 6*10 (Cr)	BOLT FLANGE SH 6*10 (Cr)	2	





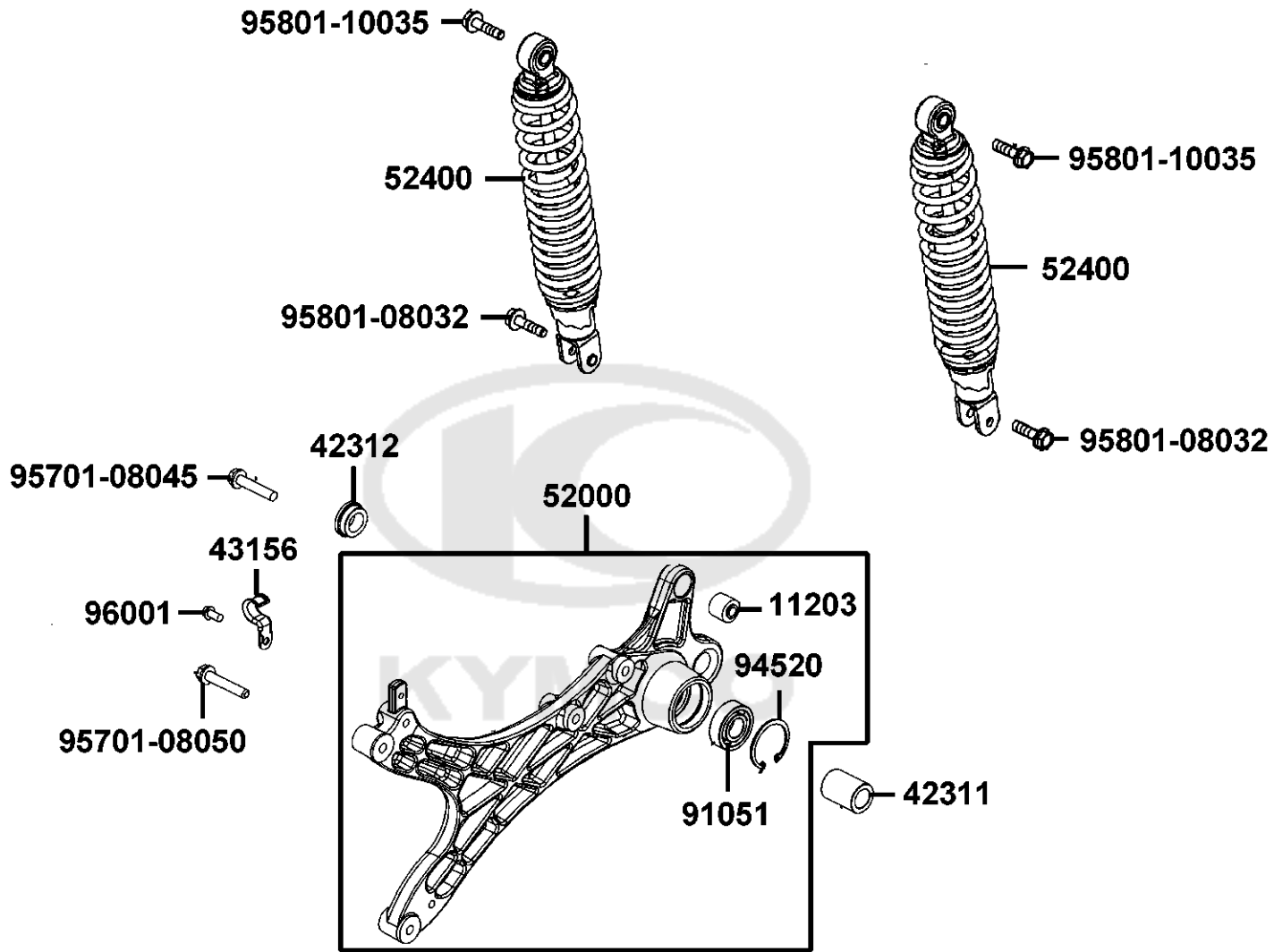


Sales mark	Ref no	Part no	Description	Reg description	Regd no	<b>F15</b>
50500		50500-LFC4-E10	"STAND COMP.,MAIN "	"STAND COMP.,MAIN "	1	
50502		50502-LDF7-C00	COLLAR MAIN STAND	COLLAR MAIN STAND	1	
50505		50505-LAD9-C00	STOPPER RUBBER	STOPPER RUBBER	1	
50530		50530-LFC2-E10	BAR SIDE STAND	BAR SIDE STAND	1	
50531		50531-KEB7-C00	PLATE SPRING STOPPER	PLATE SPRING STOPPER	1	
50535		50535-KEB7-W10	SPRING COMP SIDE STAND	SPRING COMP SIDE STAND	1	
50550		50550-KEB7-C00	SPG ASSY MAIN STAND	SPG ASSY MAIN STAND	1	
90108		90108-KFA6-E01	SCREW SIDE STAND PIVOT	SCREW SIDE STAND PIVOT	1	
95801		95801-10025-08G	BOLT FLANGE 10*25C	BOLT FLANGE 10*25C	2	

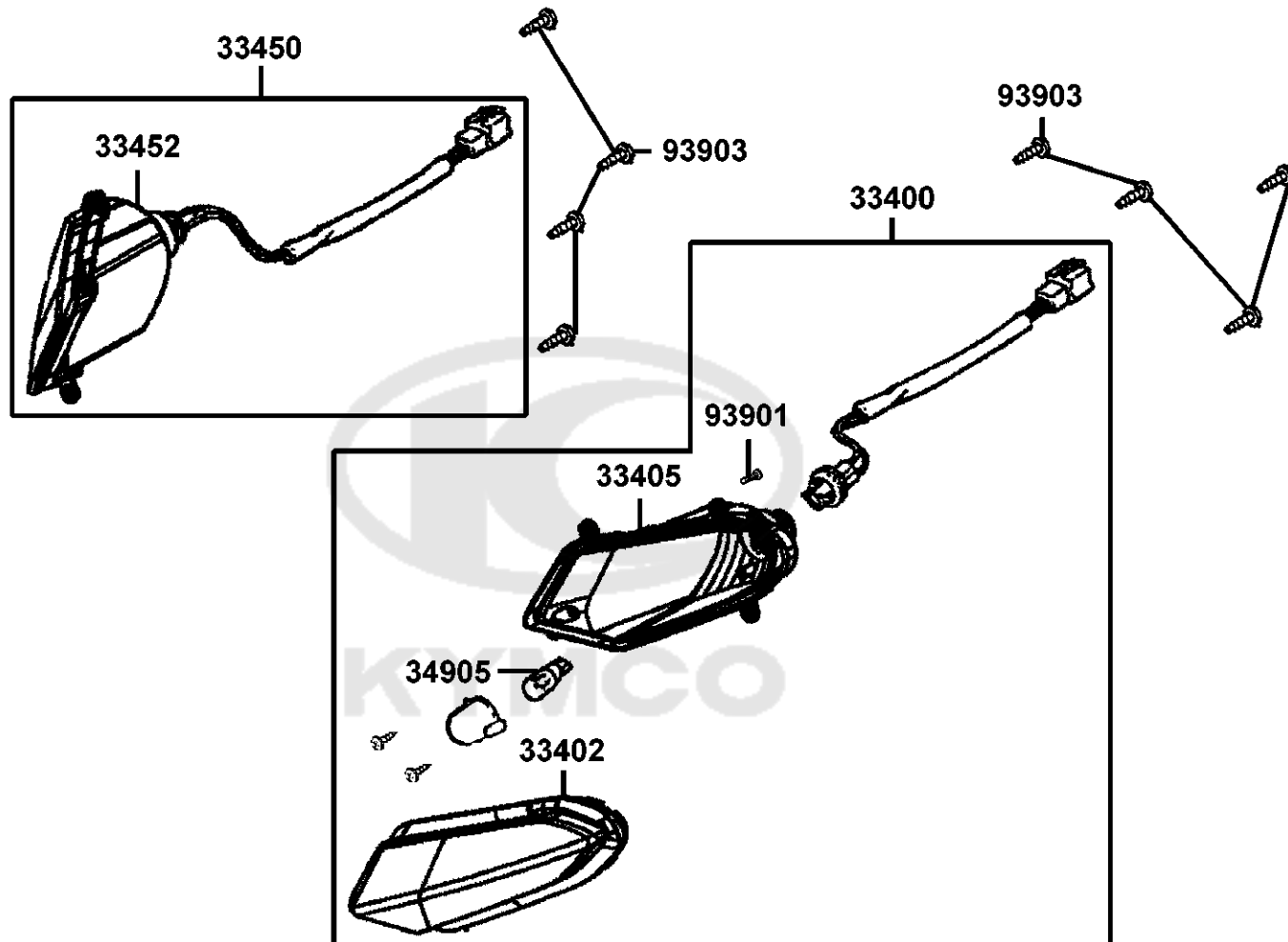


F16

Rear Cushion

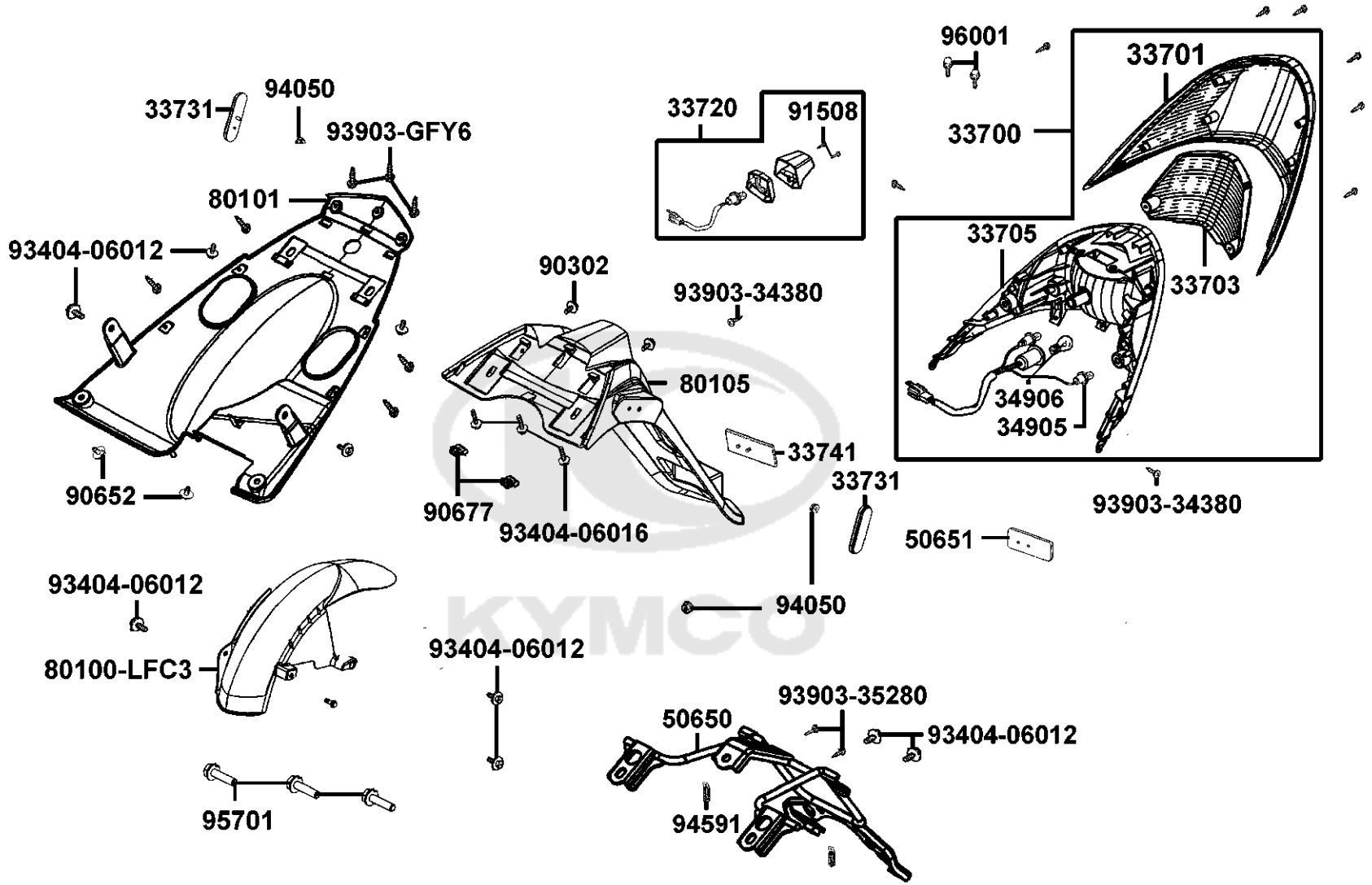


Sales mark	Ref no	Part no	Description	Reg description	Regd no	<b>F16</b>
	11203	11203-GGC7-W10	UNDER RUBBER BUSH REAR CUSHION	UNDER RUBBER BUSH REAR CUSHION	1	
	42311	42311-KHB4-C00	COLLAR RR AXLE A	COLLAR RR AXLE A	1	
	42312	42312-LEJ2-E10	"COLLAR,RR AXLE SIDE"	"COLLAR,RR AXLE SIDE"	1	
	43156	43156-LFC3-E10	CLAMPER HOSE RR	CLAMPER HOSE RR	1	
	52000	52000-LFC3-E10	FORK ASSY RR	FORK ASSY RR	1	
**	52400	52400-LKD2-E10	CUSHION ASSY RR	CUSHION ASSY RR	1	
	91051	91051-KFBF-C00	BRG BALL RADIAL 6203 LLU	BRG BALL RADIAL 6203 LLU	1	
	94520	94520-40000	CIR CLIP IN 40	CIR CLIP IN 40	1	
	95701-08045	95701-08045-07G	BOLT FLANGE 8*45 (K)	BOLT FLANGE 8*45 (K)	1	
	95701-08050	95701-08050-07G	BOLT FLANGE 8*45 (K)	BOLT FLANGE 8*45 (K)	1	
	95801-08032	95801-08032-08G	BOLT FLANGE 8*32	BOLT FLANGE 8*32	2	
	95801-10035	95801-10035-08G	BOLT FLANGE 10*35 (C)	BOLT FLANGE 10*35 (C)	2	
	96001	96001-06012-08G	BOLT FLANGE SH 6*12 (C)	BOLT FLANGE SH 6*12 (C)	1	



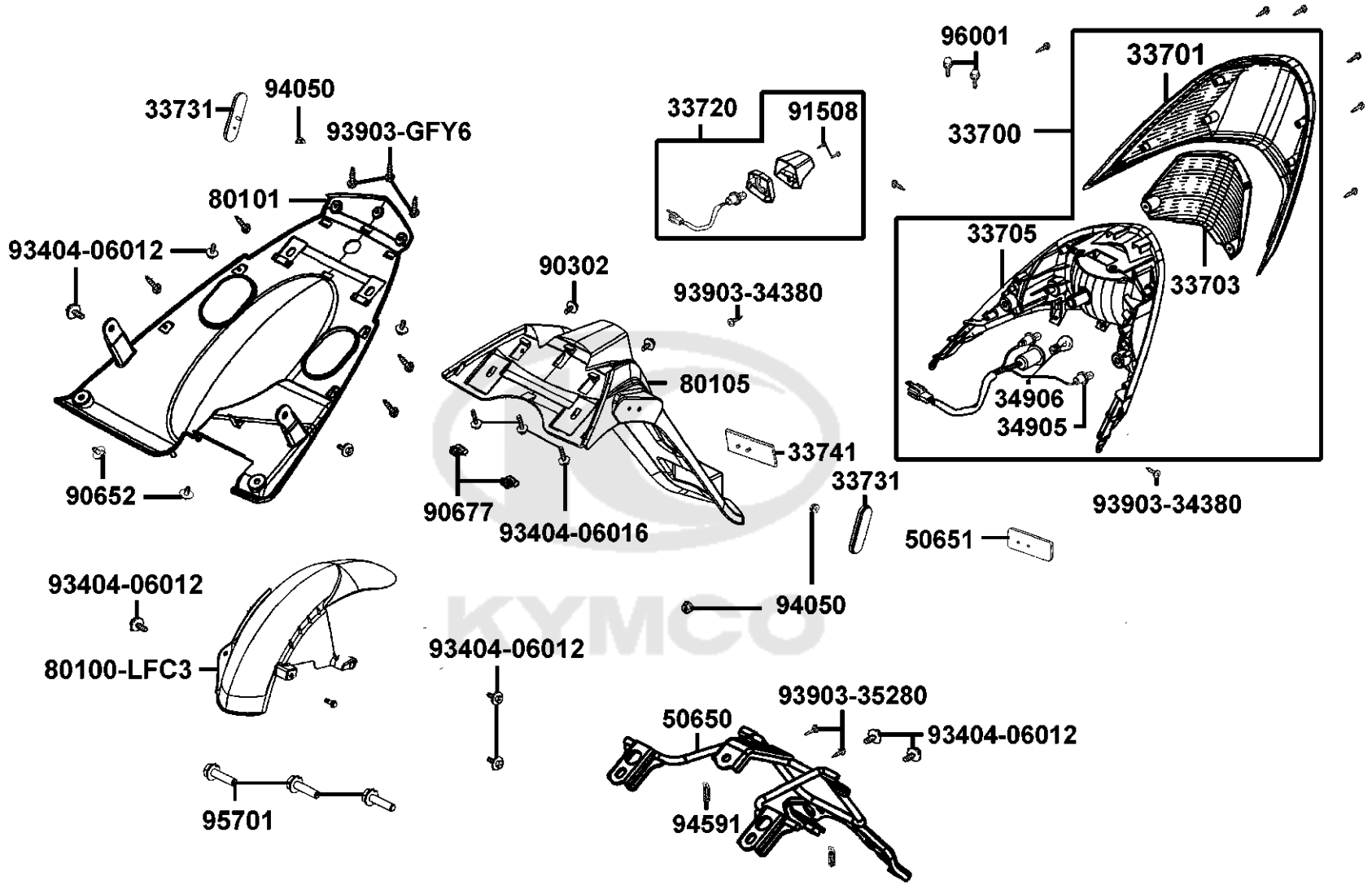
Sales mark	Ref no	Part no	Description	Reg description	Regd no	<b>F17</b>
	33400	33400-LFC3-E12	WINKER ASSY RH FR	WINKER ASSY RH FR	1	
	33402	33402-LFC3-E12	LENS R FR WINKER	LENS R FR WINKER	1	
	33405	33405-LFC2-E10	BASE R FR WINKER	BASE R FR WINKER	1	
	33450	33450-LFC3-E12	WINKER ASSY LH FR	WINKER ASSY LH FR	1	
	33452	33452-LFC3-E12	LENS L FR WINKER	LENS L FR WINKER	1	
	34905	34905-LBA8-E80	BULB RR WINKER	BULB RR WINKER	1	
	93901	93901-34220	SCREW TAPPING 4*10 (C)	SCREW TAPPING 4*10 (C)	1	
	93903	93903-34380	SCREW TAPPING 4*12 (K)	SCREW TAPPING 4*12 (K)	8	



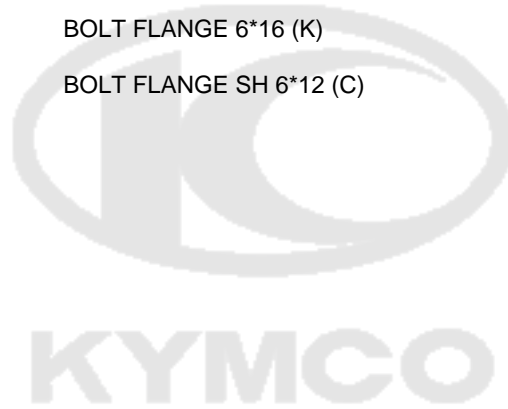


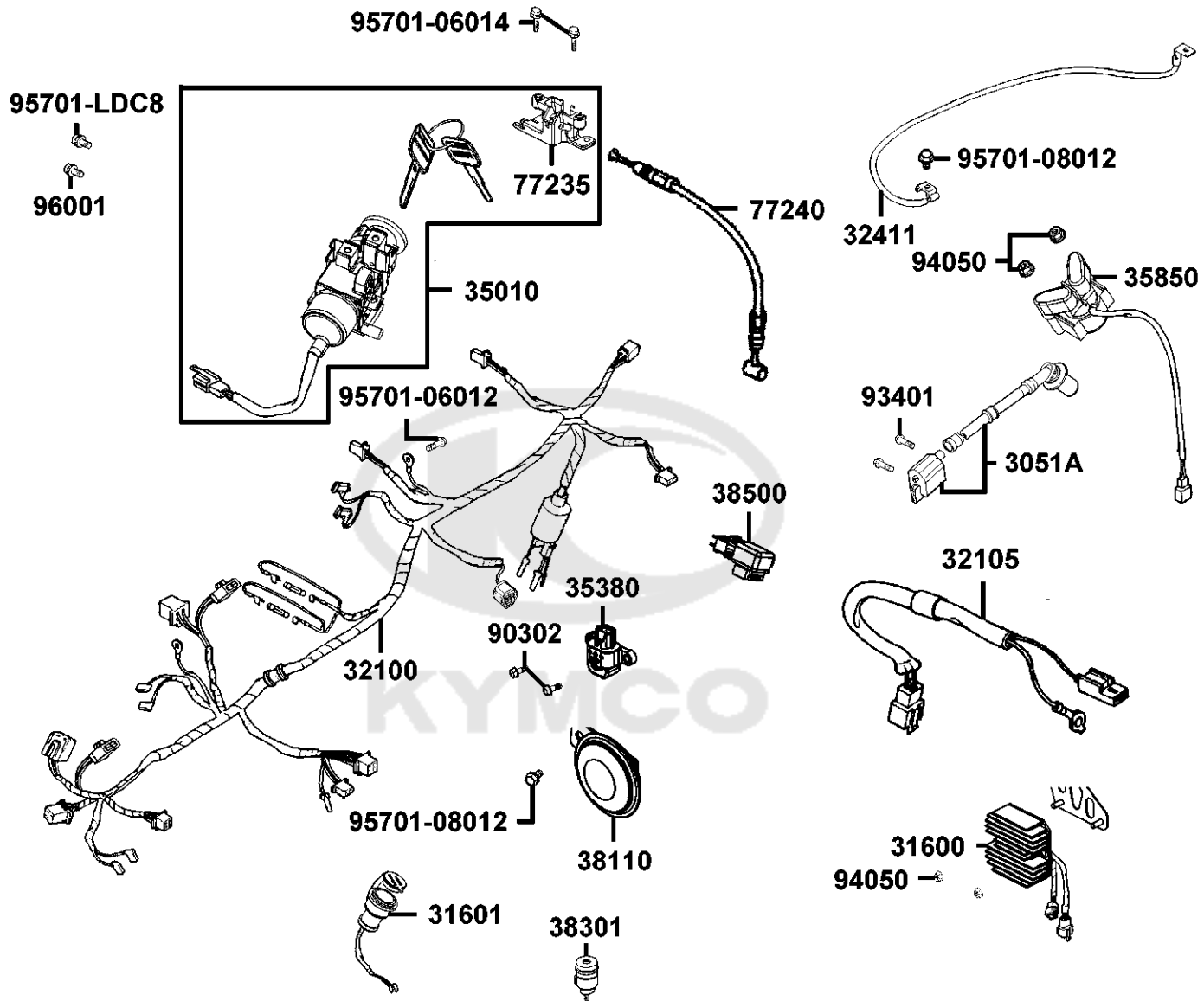
Sales mark	Ref no	Part no	Description	Reg description	Regd no	F18
	33700	33700-LFC3-E12	LIGHT ASSY RR COMB	LIGHT ASSY RR COMB	1	
	33701	33701-LFC3-E12	LENS COMP TAIL LIGHT	LENS COMP TAIL LIGHT	1	
	33703	33703-LFC2-E10	LENS TAIL LIGHTRED	LENS TAIL LIGHTRED	1	
	33705	33705-LFC2-E10	BASE RR COMP	BASE RR COMP	1	
	33720	33720-LEJ2-E10	LIGHT ASSY LICENSE	LIGHT ASSY LICENSE	1	
	33731	33731-KGB5-C00	REFLEX REFLECTOR SIDE	REFLEX REFLECTOR SIDE	1	
	33741	33741-LEH3-C10	REFLEX REFLECTOR	REFLEX REFLECTOR	1	
	34905	34905-KPCP-C00	BULB WINKER	BULB WINKER	1	
	34906	34906-KPCP-900	BULB TAIL & STOP	BULB TAIL & STOP	1	
	50650	50650-LFC2-E10	"STAY RR.,FENDER"	"STAY RR.,FENDER"	1	
	50651	50651-LFC4-E10	STAY RR FENDER BALANCE	STAY RR FENDER BALANCE	1	
**	80100-LFC3	80100-LFC3-E10	FENDER RR TIRE	FENDER RR TIRE	1	
**	80101	80101-LFC3-E10	FENDER RR INNER	FENDER RR INNER	1	
**	80105	80105-LFC2-E10	FENDER REAR	FENDER REAR	1	
	90302	90302-PUA3-B51	BOLT-WASH 5*12	BOLT-WASH 5*12	1	
	90652	90652-LCA4-C10	CLIP MUDGUARD	CLIP MUDGUARD	1	
	90677	90677-GAR1-C01	NUT CLIP 5MM	NUT CLIP 5MM	1	
	91508	91508-KGV7-C00	SCREW TAPPING 4*14	SCREW TAPPING 4*14	1	
	93404-06012	93404-06012-06	BOLT WASHER 6*12 (G)	BOLT WASHER 6*12 (G)	1	
	93404-06012	93404-06012-07	BOLT WASH 6*12	BOLT WASH 6*12	7	



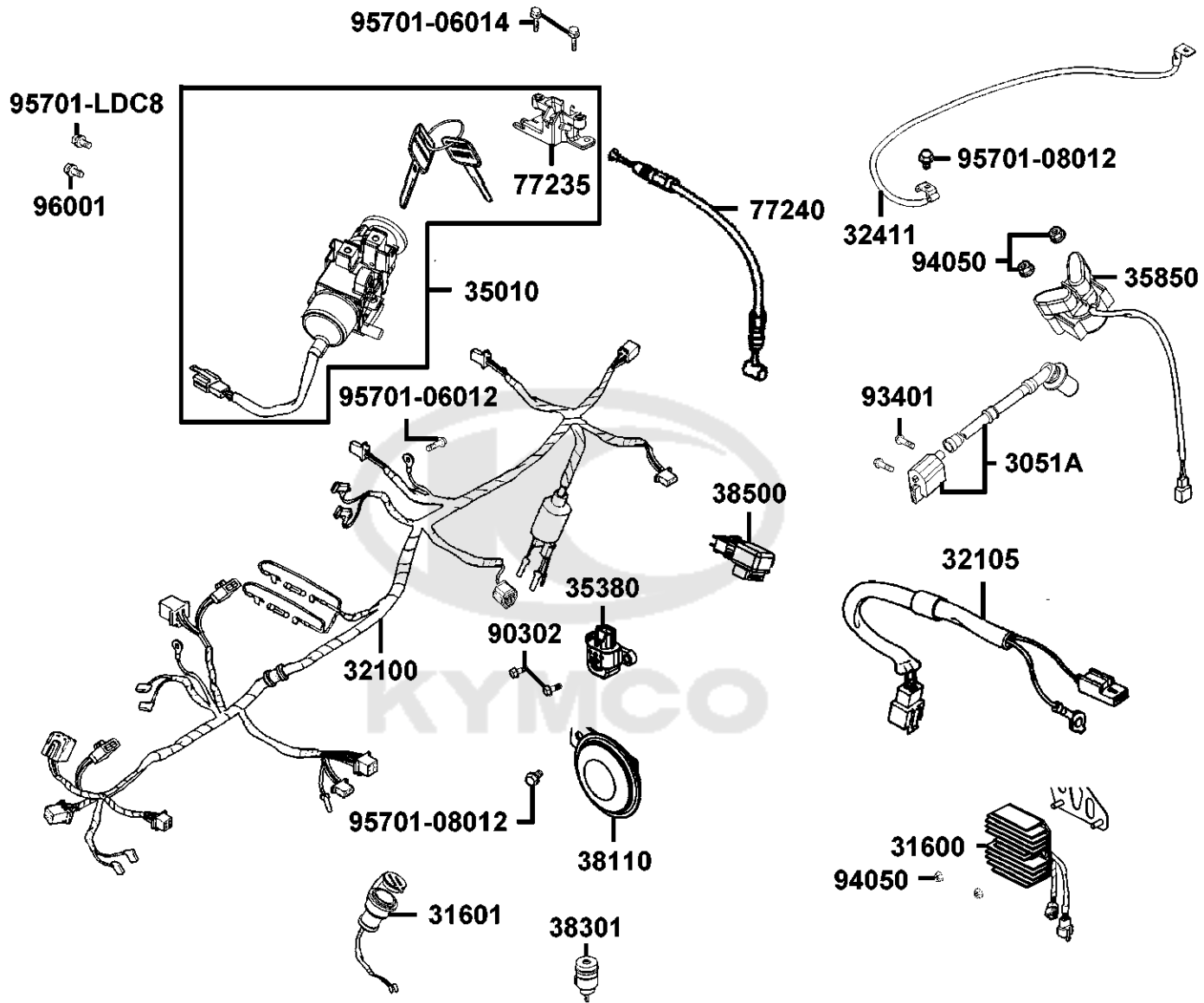


Sales mark	Ref no	Part no	Description	Reg description	Regd no	<b>F18</b>
	93404-06016	93404-06016-07	BOLT WASHER 6*16 (K)	BOLT WASHER 6*16 (K)	5	
	93903-34380	93903-34380	SCREW TAPPING 4*12 (K)	SCREW TAPPING 4*12 (K)	9	
	93903-35280	93903-35280	SCREW TAPPING 5*12 (K)	SCREW TAPPING 5*12 (K)	2	
	93903-GFY6	93903-GFY6-C00	SCREW TAPPING 4*14	SCREW TAPPING 4*14	1	
	93903-GFY6	93903-GFY6-C01	SCREW TAPPING 4*14(K)	SCREW TAPPING 4*14(K)	1	
	94050	94050-05080-G	NUT FLANGE 5MM	NUT FLANGE 5MM	3	
	94591	94591-25000	CLIP BIND	CLIP BIND	2	
	95701	95701-06016-07G	BOLT FLANGE 6*16 (K)	BOLT FLANGE 6*16 (K)	3	
	96001	96001-06012-08G	BOLT FLANGE SH 6*12 (C)	BOLT FLANGE SH 6*12 (C)	1	





Sales mark	Ref no	Part no	Description	Reg description	Regd no	F19
	3051A	3051A-KKE3-900	COIL ASSY IGN	COIL ASSY IGN	1	
	31600	31600-LEA5-C01	REG. REC. COMP.	REG. REC. COMP.	1	
	31601	31601-LFC2-E10	SOCKET COMP DC 12V	SOCKET COMP DC 12V	1	
	32100	32100-LKD2-E11	HARNESS WIRE	HARNESS WIRE	1	
	32105	32105-LFC3-E15	SUB HARNESS	SUB HARNESS	1	
	32411	32411-LEJ3-E11	CABLE BAT	CABLE BAT	1	
	35010	35010-LFC3-E15	KEY SET	KEY SET	1	
	35380	35380-ABE1-E00	SENSOR. ANGLE DETECT	SENSOR. ANGLE DETECT	1	
	35380	35380-LEA2-900	SENSOR ANGLE DETECT	SENSOR ANGLE DETECT	1	
	35850	35850-KHD8-C00	SET START MAG	SET START MAG	1	
	38110	38110-KHB4-E0A	HORN COMP	HORN COMP	1	
	38301	38301-ALJ9-E15	RELAY COMP AP WINKER	RELAY COMP AP WINKER	1	
	38500	38500-LGL3-900	RELAY ASSY LIGHT	RELAY ASSY LIGHT	1	
	38500	38500-LGL3-90A	RELAY ASSY LIGHT	RELAY ASSY LIGHT	1	
	77235	77235-KGC4-C00	SEAT CATCH	SEAT CATCH	1	
	77240	77240-LFC2-E10	"CABLE,SEAT LOCK"	"CABLE,SEAT LOCK"	1	
	90302	90302-GFY6-C11	BOLT-WASH 5*16	BOLT-WASH 5*16	1	
	93401	93401-04025-08	BOLT WASHER 4*25(C)	BOLT WASHER 4*25(C)	1	
	94050	94050-06080	NUT FLANGE 6MM	NUT FLANGE 6MM	2	
	95701-06012	95701-06012-08	BOLT FLANGE 6*12	BOLT FLANGE 6*12	3	



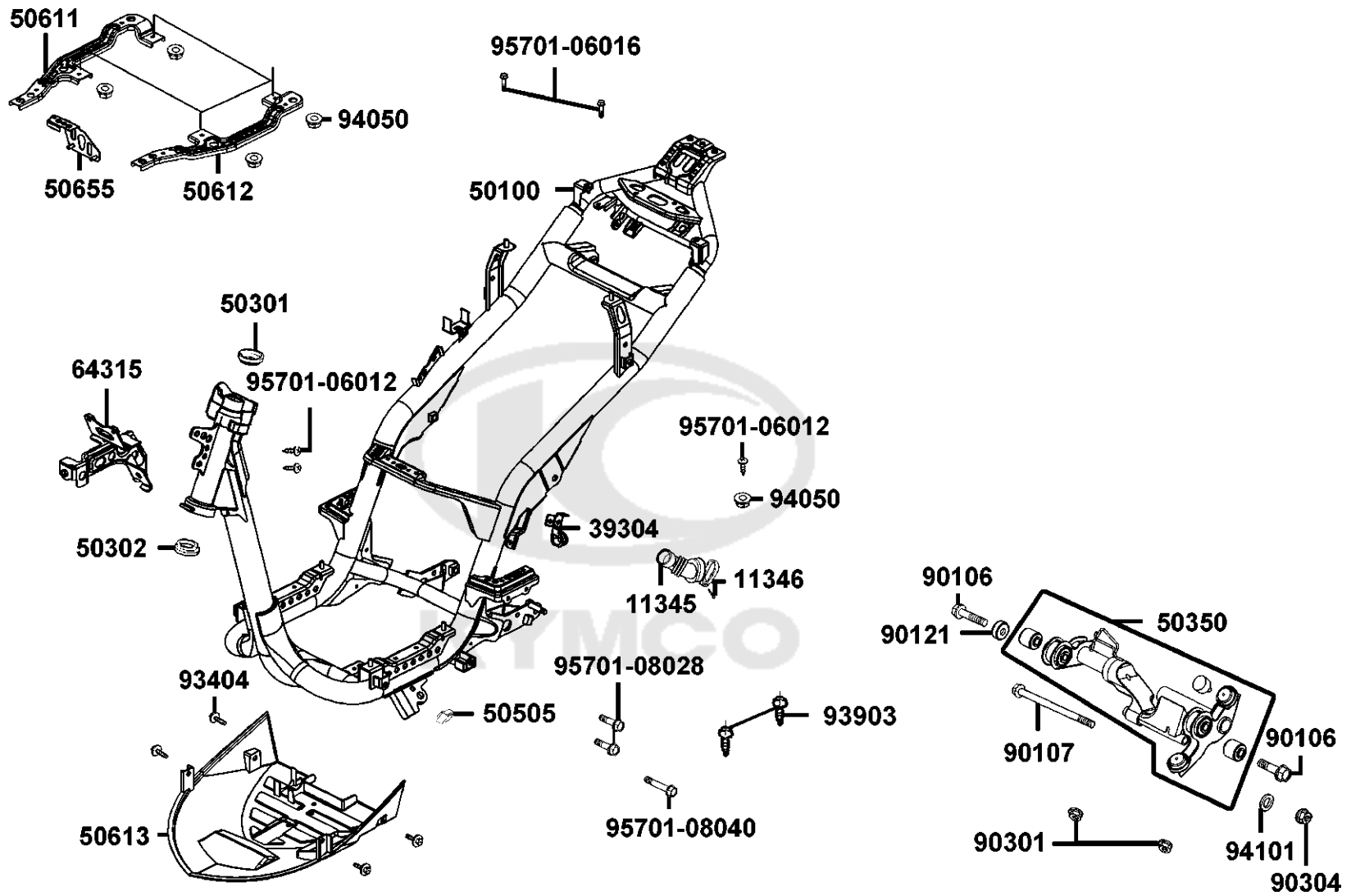
Sales mark	Ref no	Part no	Description	Reg description	Regd no	<b>F19</b>
------------	--------	---------	-------------	-----------------	---------	------------

95701-06014		95701-06014-08G	BOLT FLANGE 6*14 (B)	BOLT FLANGE 6*14 (B)	2	
95701-08012		95701-08012-08G	BOLT FLANGE 8*12 (C)	BOLT FLANGE 8*12 (C)	2	
95701-LDC8		95701-LDC8-E11	BOLT TORQUE 6x16	BOLT TORQUE 6x16	1	
96001		96001-06016-08G	SOCKET BOLT 6*16 (C)	SOCKET BOLT 6*16 (C)	1	



F20

Frame Body

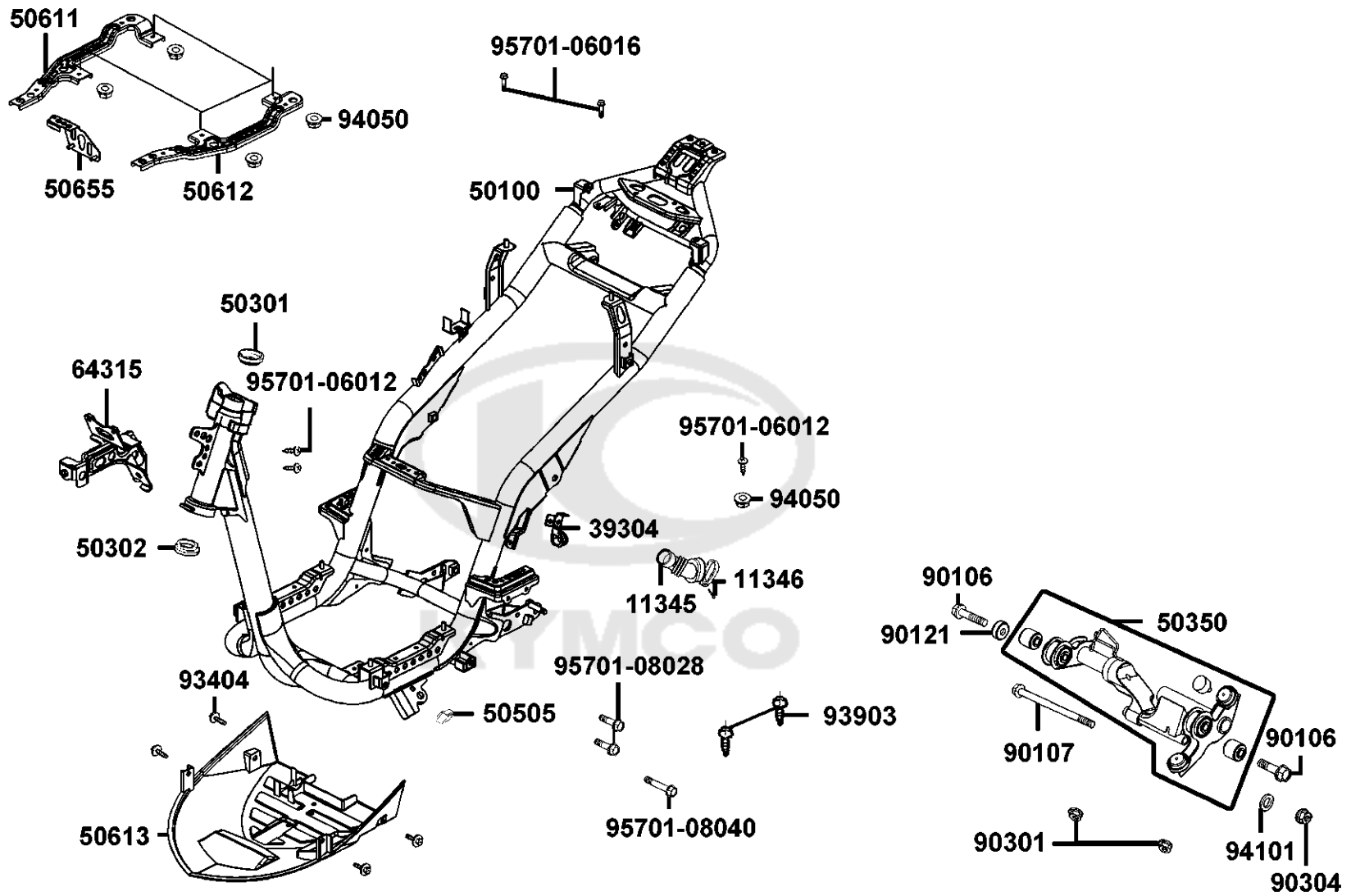


Sales mark	Ref no	Part no	Description	Reg description	Regd no	F20
	11345	11345-LKD2-E10	DUCT L COVER	DUCT L COVER	1	
	11346	11346-KEBE-C00	BAND L COVER DUCT	BAND L COVER DUCT	1	
	39304	39304-LKD2-E10	CLAMPER FUEL TUBE	CLAMPER FUEL TUBE	1	
	50100	50100-LKD2-E10	BODY COMP FRAME	BODY COMP FRAME	1	
	50301	50301-KGN7-C00	RACE UP STRG BALL	RACE UP STRG BALL	1	
	50302	50302-2H68-C00	RACE (STRG BOT) BALL	RACE (STRG BOT) BALL	1	
	50350	50350-LFC3-B40	ENG HANGER COMP	ENG HANGER COMP	1	
	50505	50505-LDC8-E10	STOPPER RUBBER	STOPPER RUBBER	1	
	50611	50611-LFC2-E10	RNFCT R FLOOR	RNFCT R FLOOR	1	
	50612	50612-LFC2-E10	RNFCT L FLOOR	RNFCT L FLOOR	1	
**	50613	50613-LFC2-E10	COVER UNDER	COVER UNDER	1	
	50655	50655-LKD2-E10	STAY REG REC	STAY REG REC	1	
	64315	64315-LKD2-E10	STAY FR COVER	STAY FR COVER	1	
	90106	90106-LGB6-E11	"BOLT,FLANGE,10x55"	"BOLT,FLANGE,10x55"	1	
	90107	90107-KUDU-C01	BOLT FLANGE 10*188	BOLT FLANGE 10*188	1	
	90121	90121-GFY6-C00	COLLAR DISTANCE	COLLAR DISTANCE	1	
	90301	90301-LEJ2-E11	NUT FLANGE 6mm	NUT FLANGE 6mm	2	
	90304	90304-GHE8-C00	NUT U 10MM (C)	NUT U 10MM (C)	1	
	93404	93404-06012-07	BOLT WASH 6*12	BOLT WASH 6*12	4	
	93903	93903-45380	SCREW TAPPING 5*16 (K)	SCREW TAPPING 5*16 (K)	2	



F20

Frame Body

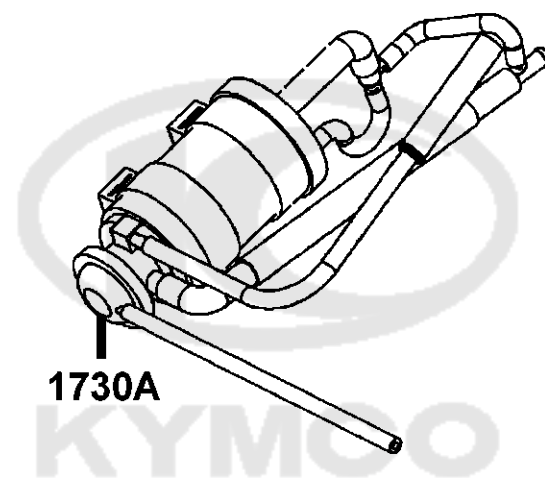


Sales mark	Ref no	Part no	Description	Reg description	Regd no	<b>F20</b>
	94050	94050-06080	NUT FLANGE 6MM	NUT FLANGE 6MM	1	
	94101	94101-10800-G	WASHER PLAIN 10MM (C)	WASHER PLAIN 10MM (C)	1	
	95701-06012	95701-06012-08	BOLT FLANGE 6*12	BOLT FLANGE 6*12	1	
	95701-06016	95701-06016-08G	BOLT FLANGE 6*16 (C)	BOLT FLANGE 6*16 (C)	2	
	95701-08028	95701-08028-08G	BOLT FLANGE 8*28	BOLT FLANGE 8*28	2	
	95701-08040	95701-08040-08G	BOLT FLANGE 8*40 (C)	BOLT FLANGE 8*40 (C)	1	



F21

CANISTER ASSY TUBE



1730A

Sales mark	Ref no	Part no	Description	Reg description	Regd no	<b>F21</b>
------------	--------	---------	-------------	-----------------	---------	------------

1730A

1730A-LFC3-E15

CANISTER ASSY TUBE

CANISTER ASSY TUBE

1



● Be sure to wear a safety helmet when riding.  
 ● Do not exceed the speed specified by law when riding.  
 ● The exhaust carrier temperature is very high after riding. Be sure to park the motorcycle in a place not easily touched by people.  
 ● For riding safety and good performance, do not violate the law to modify the motorcycle.

● Make sure to perform the periodic maintenance and provide inspection.

**Provide inspection items**

Brake Performance, tires, engine oil level, lights, horn, and instrument panel.

KWANG YANG MOTOR CO., LTD.

© Please read the User's Manual carefully to ensure riding safety.

87560

**CAUTIONS**

Tire Size	: Front 100/80-16	Rear 120/80-16
(One Rider)	: Front 1.50kg/cm <sup>2</sup>	Rear 1.75kg/cm <sup>2</sup>
(Two Rider)	: Front 2.00kg/cm <sup>2</sup>	Rear 2.25kg/cm <sup>2</sup>
Load Capacity	: Shield 1.5kg	Rear carrier 3kg
	Inner box under saddle 10kg	

(Note: The tire pressure must not overpass 2.30kg/cm<sup>2</sup>)

● Check the motor oil level with the dipstick after refilling motor oil.

87560-4F32-51W

87505

**Engine Oil Capacity**

Make sure to use KYMCO recommended "SIGMA" engine oil.

Full Capacity	0.9
At Change	0.8

Check the oil level after oil is filled.

Idle the engine for 3 minutes and check the oil level again.

KDU-E000

87541-KUDU

**CAUTIONS**

Before starting the engine, the side stand shall be kicked up to secure safety.

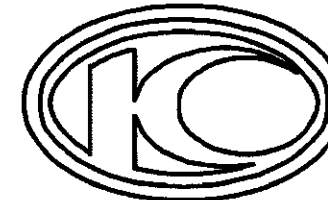
87541-GAR1

**CAUTIONS**

Never put any article between the rear side cover and the engine to avoid interference of riding.

GM9-300

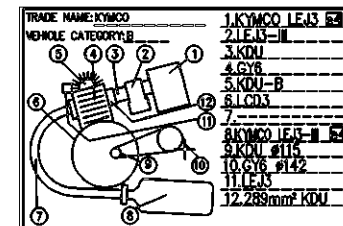
87542



86102

**AGILITY 125**

86202



87224

Sales mark	Ref no	Part no	Description	Reg description	Regd no	<b>F22</b>
**	86102	86102-LEJ2-E00	MARK KYMCO	MARK KYMCO	1	
**	86202	86202-LFC3-E11	EMB BODY COVER	EMB BODY COVER	1	
**	87224	87224-LEJ3-EZ0	CAUTION ANTI TAMPERING	CAUTION ANTI TAMPERING	1	
**	87505	87505-LFC2-E10	LABEL TIRE	LABEL TIRE	1	
**	87541-GAR1	87541-GAR1-C01	CAUTION SIDE STAND	CAUTION SIDE STAND	1	
**	87541-KUDU	87541-KUDU-E00	LABEL OIL CAP	LABEL OIL CAP	1	
**	87542	87542-GAR1-C01	MARK MAINT CAUTION	MARK MAINT CAUTION	1	
**	87560	87560-GFY6-E11	MARK DRIVE CAUTION	MARK DRIVE CAUTION	1	



## PART NO. INDEX

PART NO.	VERSION	PAGE	PART NO.	VERSION	PAGE	PART NO.	VERSION	PAGE
<b>11000</b>			12191-GFY6-E90	1	E03	14523-GFY6-E90	1	E03
11100-KUDU-C00	6	E01	12200-KKE3-900	1	E02	14531-GLR0-W11	1	E03
11102-1G87-C00	3	E01	12209-GDB4-C00	2	E02	14610-KUDU-C00	1	E03
11192-KUDU-E90	1	E01	12211-KUDU-W10	4	E02	14610-KUDU-C0B	0	E03
11200-LCD3-C00	2	E01	12251-GFY6-C00	1	E02	14610-KUDU-C10	1	E03
11203-GGC7-W10	2	E01	1231A-ALL1-C00	0	E02	14711-KUDU-C00	1	E02
11203-GGC7-W10	2	F16	12361-GFY6-C00	5	E04	14721-KUDU-C00	1	E02
11204-KUDU-C00	1	E09	12391-GFY6-C00	5	E02	14751-KUDU-C10	2	E02
11206-LCD3-C00	0	E01	<b>13000</b>			14761-KUDU-C10	2	E02
11208-LFC3-E10	2	E04	13000-KUDU-C00	9	E03	14771-GDB4-C00	2	E02
11209-LCD3-E00	3	F13	13011-GFY6-C00	1	E03	14775-MFA6-C00	5	E02
11211-LKD2-C00	0	F13	13101-KUDU-C00	1	E03	14781-MFA6-C00	4	E02
11331-LCD3-E00	5	E04	13111-3D84-C00	1	E03	<b>15000</b>		
11340-LEJ3-E11	0	E01	<b>14000</b>			15100-KFB7-C00	1	E07
11345-LKD2-E10	0	F20	14100-AAA2-C00	0	E02	15133-GFY6-W10	1	E07
11346-KEBE-C00	1	F20	14401-KUDU-C00	1	E03	15141-GFY6-C00	1	E07
11353-LEA6-C00	1	E01	14431-KUDU-W10	4	E02	15421-1G07-C00	1	E04
11381-KHB4-C00	0	E01	14450-GFY6-W10	1	E02	15426-GAE1-C00	1	E04
11394-KUDU-E90	1	E04	14452-GFY6-W10	1	E02	15651-KUDU-W10	5	E04
11395-KHB4-C00	0	E01	14510-KUDU-C00	1	E03	15711-KUDU-C00	1	E07
<b>12000</b>			14510-KUDU-C0B	0	E03	<b>16000</b>		
12100-GFY6-C00	6	E03	14520-GFY6-C00	1	E03	16056-LEB2-C00	0	E05

## PART NO. INDEX

PART NO.	VERSION	PAGE	PART NO.	VERSION	PAGE	PART NO.	VERSION	PAGE
16068-LEB2-C00	0	E05	1723C-LEJ3-E10	0	F13			
16074-KEC3-C00	3	E05	17254-KACA-P00	1	F13	<b>19000</b>		
16100-LFC3-E15	0	E05	17257-LFC4-E10	0	F13			
16110-KEC3-900	1	E05	1730A-LFC3-E15	0	F21	19504-LBA2-C00	1	F10
16112-KKE3-C00	0	E05	1737A-LCD3-E00	0	F13	19510-KFB7-C00	0	E08
16112-LEB2-C00	0	E05	17500-LFC3-E15	0	F10	19610-KUDU-C10	2	E08
16118-KEC3-C00	0	E05	17550-LKD2-M91	0	F10	19625-KUDU-C00	1	E02
16122-KEC3-C00	0	E05	17560-LKD2-E10	0	F10	1962A-LEJ8-E00	1	E08
16133-KEC3-C00	0	E05	17910-LGS6-E10	0	F03	19632-LFB6-C00	0	E03
16134-KKE3-C00	0	E05				1963A-AAD2-C00	0	E08
16138-KGC5-C00	0	E05	<b>18000</b>					
16154-KKE3-C00	0	E05				<b>21000</b>		
16170-KEC3-C00	0	E05	18291-ALK1-E10	0	F14			
16201-GFY6-E90	0	E02	18291-GGA7-C01	1	F14	21200-LEJ8-C00	2	E09
16211-GFY6-W10	1	E02	18292-KEBE-C00	0	F14	21395-LCD3-E90	0	E09
16701-LKD2-M90	0	F10	18293-ALK1-E10	0	F14			
16703-LKD2-M90	0	F10	18293-KECE-C00	0	F14	<b>22000</b>		
16771-GKAK-220	0	E05	18294-PUA3-B50	1	F14			
			18295-KECE-C00	0	F14	22101-LCD3-C00	3	E06
<b>17000</b>			1830A-LFC3-E15	0	F14	22102-KUDU-E80	1	E06
			18318-LCD3-C00	2	F14	22105-LGS6-E10	0	E06
1711A-LGL3-C00	4	E02	1831C-ALK1-E90	0	F14	22110-KUDU-E80	0	E06
17200-ALJ9-E15	0	F13	18325-LFC3-E10	2	F14	22121-LFC4-E10	2	E06
17239-KHB4-C00	0	F13				22131-GFY6-C00	3	E06
1723A-LKD2-E10	0	F13				22132-KBN2-C00	3	E06
1723B-LFC4-E10	0	F13				22300-LCD3-C00	0	E06



## PART NO. INDEX

PART NO.	VERSION	PAGE	PART NO.	VERSION	PAGE	PART NO.	VERSION	PAGE
22350-GFY6-C00	1	E06	28110-GFY6-C10	1	E07	32105-LFC3-E15	0	F19
22401-GFY6-C00	0	E06	28120-GFY6-C10	1	E07	32411-LEJ3-E11	0	F19
22401-GFY6-C0A	0	E06	28125-4F26-C00	1	E07	32412-ALJ8-E10	1	E04
22530-LCD3-C00	0	E06	28125-GFY6-C10	3	E07	32961-KUDU-C00	5	E04
<b>23000</b>			28126-GFY6-C10	1	E07	<b>33000</b>		
			2812A-GFY6-C10	2	E07			
			28211-KUDU-W10	4	E06			
2301A-LEJ3-E10	1	E06	28211-LGK2-C00	5	E06	33100-LFC3-E12	1	F01
23100-KEC4-C00	2	E06				33108-LFC2-E10	0	F01
23100-KEC4-C0E	0	E06	<b>30000</b>			33400-LFC3-E12	1	F17
23200-LEJ3-E10	3	E06				33402-LFC3-E12	0	F17
23220-GFY6-C00	0	E06	3051A-KKE3-900	6	F19	33405-LFC2-E10	0	F17
23225-GHC8-C00	1	E06	<b>31000</b>			33450-LFC3-E12	1	F17
23226-GHC8-C00	1	E06				33452-LFC3-E12	0	F17
23233-LEJ3-E10	0	E06				33700-LFC3-E12	1	F18
23237-GFY6-C00	1	E06	31100-LGS6-E10	0	E08	33701-LFC3-E12	0	F18
23238-GFY6-C00	1	E06	31110-KKE3-C00	3	E08	33703-LFC2-E10	1	F18
23411-KHB4-C00	0	E09	31120-LGS6-E10	0	E08	33705-LFC2-E10	1	F18
23420-LCD3-C00	0	E09	31200-ALJ8-E10	1	E07	33720-LEJ2-E10	0	F18
23432-LEJ3-E10	0	E09	31500-KFAF-C00	1	F11	33731-KGB5-C00	2	F18
2343A-KHB4-C00	0	E09	31600-LEA5-C01	2	F19	33741-LEH3-C10	1	F18
<b>28000</b>			31601-LFC2-E10	1	F19	<b>34000</b>		
			<b>32000</b>					
28101-GFY6-C00	1	E07				34901-LDC8-E10	1	F01
28102-GFY6-C00	1	E07	32100-LKD2-E11	0	F19	34903-LDC8-E10	1	F01

## PART NO. INDEX

PART NO.	VERSION	PAGE	PART NO.	VERSION	PAGE	PART NO.	VERSION	PAGE
34905-KPCP-C00	1	F18	37215-LFC2-E10	0	F02			
34905-LBA8-E80	1	F17	37224-LKD1-E10	1	F02	<b>42000</b>		
34906-KPCP-900	0	F18	37280-LEJ2-E0A	0	F02			
34908-GGA7-C00	0	F02	37802-GGA7-C00	1	F10	42311-KHB4-C00	0	F16
34908-MKB9-C00	0	F02	3780A-LKD2-E10	0	F10	42312-LEJ2-E10	1	F16
<b>35000</b>			<b>38000</b>			42601-LFC3-E10	1	F08
35010-LFC3-E15	0	F19	38110-KHB4-E0A	0	F19	42710-LFC4-E91	1	F08
35151-LGB5-EV0	0	F03	38301-ALJ9-E15	0	F19	42753-0A01-C00	1	F07
35152-LGB5-E10	0	F03	38500-LGL3-900	1	F19	42753-0A01-C00	1	F08
3515A-LGB5-EV0	0	F03	38500-LGL3-90A	1	F19	<b>43000</b>		
35201-LGB5-E10	1	F03				43126-ALJ9-E12	0	F04
35202-LGB5-E10	0	F03	<b>39000</b>			43127-ALJ9-E12	0	F04
3520A-LGB5-E11	0	F03				43156-LFC3-E10	2	F16
35340-KNBN-C00	1	F04	3920A-LFC3-E15	0	E05	43200-ALJ9-E15	0	F04
35350-KNBN-C00	1	F04	39300-LEA6-800	0	E02	43351-LFC3-E80	2	F08
35380-ABE1-E00	1	F19	39301-ALJ8-E10	0	E02	43500-LFC3-E10	0	F04
35380-LEA2-900	1	F19	39302-KKE3-C00	1	E02	<b>44000</b>		
35850-KHD8-C00	1	F19	39303-LEB2-C00	1	E02			
<b>37000</b>			39304-LKD2-E10	0	F20			
			39400-LHJ3-900	1	E02	44301-LEJ2-E12	1	F07
			39450-LEA6-800	2	F14	44311-LFC2-E10	2	F07
37200-LKD2-E12	0	F02	39600-KKE3-800	0	F10	44601-LFC2-E10	2	F07
37211-LFC2-E10	1	F02				44620-KFLF-C00	1	F07
37213-LFC2-E10	0	F02				44680-4L10-C00	1	F07

## PART NO. INDEX

PART NO.	VERSION	PAGE	PART NO.	VERSION	PAGE	PART NO.	VERSION	PAGE	
44710-LFC4-E91	0	F07	50326-LFC2-E10	1	F12	51427-LEJ2-E10	0	F06	
44800-LKD1-E10	2	F07	50350-LFC3-B40	1	F20	51428-LEJ2-E10	0	F06	
44830-LCD3-C00	0	F02	50500-LFC4-E10	3	F15	51429-LFC3-E10	0	F06	
<b>45000</b>			50502-LDF7-C00	1	F15	51437-LEJ2-E10	0	F06	
			50504-LEJ3-E11	1	E01	51500-LFC3-E10	0	F06	
			50505-LAD9-C00	1	F15	51520-LEJ2-E10	0	F06	
			50505-LDC8-E10	2	F20	<b>52000</b>			
	45105-ALD9-306	0	F04	50530-LFC2-E10	3		F15		
45105-LFC4-305	0	F04	50531-KEB7-C00	1	F15				
45121-LFC2-E80	1	F07	50535-KEB7-W10	3	F15		52000-LFC3-E10	3	F16
45126-ALJ9-E12	0	F04	50550-KEB7-C00	1	F15		52400-LKD2-E10	0	F16
45156-ALD9-E14	0	F04	50611-LFC2-E10	2	F20	<b>53000</b>			
45156-ALJ9-E15	0	F04	50612-LFC2-E10	1	F20				
45156-KNBN-C00	1	F06	50613-LFC2-E10	1	F20				
45156-LCB9-B20	0	F06	50650-LFC2-E10	3	F18		53100-ALJ9-E12	0	F03
45200-ALJ9-E12	0	F04	50651-LFC4-E10	1	F18		53102-LEJ2-E10	2	F03
45500-ALJ8-E10	1	F04	50655-LKD2-E10	0	F20	53102-LEJ2-E1A	0	F03	
45513-KCCC-900	0	F04	<b>51000</b>			53105-LEJ2-E10	2	F03	
45513-LGR5-E10	0	F04				53105-LEJ2-E1A	0	F03	
45517-KFAF-910	1	F04				53125-GEN5-C00	1	F03	
<b>50000</b>				51400-LFC3-E10	0	F06	53140-LEJ2-E10	0	F03
				51401-LFC3-E10	0	F06	53166-LEJ2-E10	0	F03
50100-LKD2-E10	0	F20	51410-LEJ2-E10	0	F06	53175-KTCT-C01	0	F04	
50301-KGN7-C00	2	F20	51412-LEJ2-E10	0	F06	53178-KNBN-C00	0	F04	
50302-2H68-C00	2	F20	51420-LFC2-E10	1	F06	53200-LFC3-E15	1	F06	
50306-1F96-C00	1	F06	51422-LEJ2-E10	0	F06	53204-LFC2-E10	1	F03	

## PART NO. INDEX

PART NO.	VERSION	PAGE	PART NO.	VERSION	PAGE	PART NO.	VERSION	PAGE
53205-LFC2-E10	1	F03	64316-LCB9-C10	5	F05			
53206-LFC2-E10	1	F03	64316-LCB9-C10	4	F12	<b>81000</b>		
53211-GFY6-C00	1	F06	64316-LCB9-C10	5	F12			
53212-2L50-C00	1	F06	64350-LFC2-E11	0	F05	81131-LFC2-E10	1	F05
53214-2L50-C00	5	F06	64360-LFC2-E11	0	F05	81132-LCB9-C10	1	F05
53215-2L50-C00	1	F06				81132-LFC2-E10	1	F05
<b>61000</b>			<b>75000</b>			81133-KNBN-C00	1	F05
			75581-6C73-C00	1	F05	81134-LFC2-E10	1	F05
61100-LFC2-E10	1	F06				81141-LFC2-E10	1	F05
61110-LFC2-E10	0	F06	<b>77000</b>			81142-KFA6-C00	1	F05
<b>64000</b>			77200-LFC3-E12	0	F09	81146-LFC2-E10	1	F05
			77232-KCAC-C00	2	F12	81147-LFC2-E10	1	F05
64211-LFC2-E10	1	F03	77235-KGC4-C00	2	F19	81200-LFC2-E10	1	F12
6421A-LFC2-E10	0	F03	77240-LFC2-E10	5	F19	81250-LKD2-E10	0	F12
64301-LFC2-E10	2	F05				<b>83000</b>		
64302-LFC2-E10	1	F05	<b>80000</b>			83500-LFC2-E10	1	F12
64303-LFC2-E10	1	F05				83510-LFC2-E10	1	F12
64305-LFC2-E10	1	F05	80100-LFC3-E10	1	F18	83600-LFC2-E10	1	F12
64306-LFC2-E10	1	F05	80101-LFC3-E10	0	F18	83610-LFC2-E10	1	F12
64307-LFC2-E10	1	F05	80101-LFC3-E10	1	F18	83750-LFC2-E10	1	F12
64308-LFC2-E10	1	F05	80105-LFC2-E10	1	F18			
64310-LFC2-E11	0	F05	80151-LFC2-E10	1	F12	<b>86000</b>		
64315-LKD2-E10	0	F20						
64316-LCB9-C10	4	F05				86102-LEJ2-E00	2	F22

## PART NO. INDEX

PART NO.	VERSION	PAGE	PART NO.	VERSION	PAGE	PART NO.	VERSION	PAGE
86202-LFC3-E11	0	F22	90005-KAW1-C00	0	E03	90202-1G87-C00	1	E06
<b>87000</b>			9000A-KTDT-C03	0	E01	90206-0A01-C00	2	E02
			9000A-LEJ2-E10	0	E01	90301-GFY6-C01	0	F14
			90012-3C33-C00	1	E02	90301-LEJ2-E11	0	F20
			90021-GFY6-C11	0	F14	90302-GBR2-C01	1	F05
87224-LEJ3-EZ0	0	F22	90031-KUDU-C01	0	E01	90302-GFY6-C11	1	F10
87224-LEJ3-EZ0	1	F22	90032-KUDU-C01	0	E01	90302-GFY6-C11	1	F19
87505-LFC2-E10	2	F22	90033-GFY6-C01	1	E02	90302-KNBN-C01	1	F06
87541-GAR1-C01	0	F22	90105-KCR3-C02	1	F07	90302-LLB1-C01	1	F03
87541-GAR1-C01	1	F22	90105-KCR3-C02	1	F08	90302-PUA3-B51	1	F18
87541-KUDU-E00	1	F22	90106-GEN5-901	1	F03	90302-SDA4-C00	2	F05
87542-GAR1-C01	2	F22	90106-KFC2-900	2	F03	90302-SDA4-C00	2	F12
87560-GFY6-E11	3	F22	90106-LGB6-E11	1	F20	90302-SDA4-C01	0	F05
<b>88000</b>			90107-KUDU-C01	1	F20	90302-SDA4-C01	0	F12
			90108-KFA6-E01	0	F15	90304-GHE8-C00	1	F03
			90110-GLW0-C00	0	F05	90304-GHE8-C00	1	F20
			90110-KEB7-C01	1	F06	90305-GHK8-C00	2	F06
88110-LEB5-C10	2	F03	90110-LCD4-E00	1	F14	90305-PUA3-B51	1	F08
88120-LEB5-C10	1	F03	90111-1G87-C01	1	F12	90306-KLF0-C02	0	F07
<b>89000</b>			90114-GDM4-C01	1	F13	90403-KUDU-C00	1	E07
			90116-LEJ2-E10	0	F06	90412-3K29-C00	5	E01
			90121-GFY6-C00	1	F20	90426-KNBN-C01	1	E06
89010-KGBG-C00	1	F09	90131-GLW0-C02	1	F04	90440-1F66-C00	1	E08
<b>90000</b>			90131-KFAF-C02	0	F04	90441-GFY6-C01	1	E06
			90145-9A61-C00	1	F04	90465-MDC4-C01	0	E02
			90201-GFY6-901	1	E07	90474-3C33-C00	1	E01
90001-GBHB-C05	0	E03						
90001-GFY6-C00	4	E07						

## PART NO. INDEX

PART NO.	VERSION	PAGE	PART NO.	VERSION	PAGE	PART NO.	VERSION	PAGE	
90501-KNBN-C01	1	F08	91101-1K79-C00	1	E07	<b>93000</b>			
9052A-PUA3-B50	1	E01	91104-GFY6-C00	1	E07				
90544-LEJ2-E10	0	F06	91104-KGN7-671	0	E01				
90545-3L00-C00	2	F04	91201-GFY6-C00	1	E04		93401-04025-08	0	F19
90601-GFY6-901	0	E06	91202-GFY6-C00	1	E01		93404-06012-06	1	F18
90652-GFY6-C00	1	F13	91202-KKJ9-C00	5	E01		93404-06012-07	5	F12
90652-LCA4-C10	6	F03	91211-KEBE-C00	1	E06		93404-06012-07	5	F13
90652-LCA4-C10	6	F18	91251-LEJ2-E10	0	F06		93404-06012-07	5	F18
90652-LGJ9-900	2	E02	91252-0L30-004	0	F07		93404-06012-07	5	F20
90677-GAR1-C01	1	F05	91252-0L30-C00	0	F07		93404-06016-07	1	F05
90677-GAR1-C01	1	F18	91254-LEJ2-E10	0	F06		93404-06016-07	1	F18
90683-GAR1-C00	4	F05	91255-LDC8-E10	5	E09		93404-06020-07	4	F05
90701-HFB6-C00	0	E07	91258-4L10-007	1	F07		93404-06025-07G	1	F06
<b>91000</b>			91301-GLR0-W10	1	E03	93500-05025	0	F03	
			91302-0A01-C00	10	E04	93600-04012-1G	1	F04	
			91302-LEB2-C00	0	E05	93700-05018-0H	1	F02	
91001-GFY6-C00	0	E06	91306-1E05-C00	1	E03	93892-04010-08	0	E05	
91002-GGA7-C00	0	E06	91307-0E35-W10	1	E04	93892-05010-08	0	E05	
91003-KDS4-C00	1	E09	91309-4E25-004	0	E07	93901-34220	0	F17	
91008-HCB3-00A	0	E02	91351-6B42-C00	1	E06	93903-25480	1	F13	
91008-HCB3-00B	1	E02	91508-KGV7-C00	0	F18	93903-34280-G	0	F05	
91008-KUDU-900	0	E02	<b>92000</b>			93903-34320-G	0	F02	
91009-GLE0-C00	1	E09				93903-34380	6	F03	
91014-LLJ3-C00	1	F06				93903-34380	6	F05	
91015-LLJ3-C00	1	F06		92101-05012-0HG	1	E08	93903-34380	6	F12
91051-KFBF-C00	1	F16		92900-06060-0BG	0	E02	93903-34380	6	F17

## PART NO. INDEX

PART NO.	VERSION	PAGE	PART NO.	VERSION	PAGE	PART NO.	VERSION	PAGE	
93903-34380	6	F18	94050-12080-G	0	E08	<b>95000</b>			
93903-35220-G	1	F01	94101-06200	1	F14				
93903-35280	1	F18	94101-06700	1	F14				
93903-35280-G	1	F02	94101-10800-G	1	F20		95002-02120	1	F13
93903-35280-G	1	F03	94101-KEBE-C00	0	F14		95002-50000	1	F13
93903-45380	0	F20	94101-KKE3-C00	0	E05		95012-LEJ2-E10	0	F11
93903-GFY6-C00	2	F05	94111-06800	1	E05		95701-06008-08	0	F13
93903-GFY6-C00	2	F12	94111-06800	1	F13		95701-06012-07G	1	F04
93903-GFY6-C00	2	F18	94111-06800	1	F14		95701-06012-08	3	F06
93903-GFY6-C01	1	F05	94111-06800-G	0	E02		95701-06012-08	3	F10
93903-GFY6-C01	1	F12	94301-10160	4	E01		95701-06012-08	3	F19
93903-GFY6-C01	1	F18	94301-10160	4	E02		95701-06012-08	3	F20
<b>94000</b>			94301-10160	4	E03		95701-06014-08G	1	F19
			94301-10160	4	E04	95701-06016-07G	1	F18	
			94301-10200	4	E01	95701-06016-08G	1	F20	
94001-12280-0SG	1	E06	94520-28000	1	E06	95701-06022-07G	1	F04	
94050-05080-G	1	F18	94520-40000	1	F16	95701-06025-08G	1	E02	
94050-06070-G	0	F04	94591-11000	0	E02	95701-06035-08G	1	E02	
94050-06080	2	E02	94591-25000	1	F18	95701-06050-08G	0	E02	
94050-06080	2	E05	94591-LDC8-E10	1	E01	95701-08012-08G	1	E01	
94050-06080	2	E07	94591-LGR5-E10	1	F05	95701-08012-08G	1	F19	
94050-06080	2	F09	94601-15000	10	E03	95701-08028-08G	0	F20	
94050-06080	2	F19	94608-LEJ2-E10	0	F06	95701-08040-08G	1	F12	
94050-06080	2	F20				95701-08040-08G	1	F20	
94050-08080-G	0	E02				95701-08045-07G	0	F16	
94050-12080-G	0	E06				95701-08050-07G	1	F16	

## PART NO. INDEX

PART NO.	VERSION	PAGE	PART NO.	VERSION	PAGE	PART NO.	VERSION	PAGE
95701-LDC8-E11	0	F19	96001-06045-08G	1	E01			
95701-LGR5-E10	1	F14	96001-06050-08G	1	E01			
95801-08032-08G	1	F16	96001-06100-08G	1	E02			
95801-08040-08G	0	F06	96001-06100-08G	1	E04			
95801-10025-08G	1	F15	96001-06110-08G	1	E04			
95801-10035-08G	0	F16	96001-GFY6-C01	1	E01			
			96100-60020-00	1	E09			
<b>96000</b>			96100-62020-00	1	E01			
			96100-63030-00	1	E01			
96001-06008-07	1	F14	96140-63010-10	1	F07			
96001-06010-02	1	F14						
96001-06012-08G	0	E01	<b>98000</b>					
96001-06012-08G	0	E04						
96001-06012-08G	0	E07	98056-5771R-00	1	E02			
96001-06012-08G	0	F16	98200-11500	2	F11			
96001-06012-08G	0	F18						
96001-06014-08G	0	E02						
96001-06016-08G	1	E07						
96001-06016-08G	1	E08						
96001-06016-08G	1	F19						
96001-06018-08G	1	E08						
96001-06022-08G	1	E08						
96001-06025-00	0	F04						
96001-06025-08G	1	E07						
96001-06025-08G	1	E08						
96001-06028-08G	1	E04						