

PARTS CATALOGUE



SCOOTERS

KL25DA(GR)

NEW AGILITY 125I(2014)



Release Date : 2019/11/04
Print Date : 2020/11/24

ABOUT THIS PARTS LIST

- This parts list is compiled all service parts for model KL25DA(GR).
- Any difference between color chart and motorcycle will be revised according to motorcycle.
- The Mark:
 1. Marking "***" must add color code in the end before ordering parts.
 2. Marking "#" are parts with modification, Please find the details from e-Parts system.
- When modification or additions to this parts list are made a revised edition at an appropriate time.



CONTENTS

● ABOUT THIS PARTS LIST	1
● COLOR CHART OF KL25DA(GR)	3
● CONTENTS-ENGINE GROUP	9
● CONTENTS-FRAME GROUP	10
● ENGINE PARTS LIST	13
● FRAME PARTS LIST	43
● PART NO. INDEX	103

NO	MODEL			COLOR CHART OF KL25DA(GR)							
	PHOTO NO			NO. 1	NO. 2	NO. 3	NO. 4				
	BASIC COLOR			Bright Red	Mat Light Blue	Black					
	CODE			Bright Red	Mat Light Blue	Black					
	PARTS NAME	PARTS NO.	VERSION	CR613PA	CB645FA	NH001SA	NH129MA				
1	COVER HANDLE FRONT	53205-ALJ8-E10	1	21P	61P	N1P	NHP				
2	COVER FR	64301-ALJ8-E10	1								
3	COVER R SIDE SKIRT	64307-ALJ8-E10	1								
4	COVER L SIDE SKIRT	64308-ALJ8-E10	1								
5	COVER R BODY	83500-ALJ8-E10	1								
6	COVER L BODY	83600-ALJ8-E10	1								
7	FENDER FR INNER	61100-ALJ8-E10	1								
8	COVER COMP L SIDE	11341-ALJ8-E10	4	DE7	DHJ	D02	D1Q				
9	CARRIER ASSY REAR	81200-ALJ8-E10	2					HUA			
10	FR HANDLE COVER	53204-ALJ8-E10	1					HUP			
11	WHEEL COMP FR CAST	42601-ALJ8-E10	1					N1A			
12	COLLAR FUEL CAP	17623-ALJ8-E10	2					N1R			
13	CASE BATTERY	50325-ALJ8-E10	1								
14	COVER BATTERY	50326-ALJ8-E10	1								
15	COVER UNDER	50613-ALJ8-E10	4								
16	COVER RR HANDLE	53206-ALJ8-E10	2								
17	PROTECTOR R HANDLE	53207-ALJ8-E10	2								
18	PROTECTOR L HANDLE	53208-ALJ8-E10	2								
19	FENDER FR INNER	61110-ALJ8-E10	1								
20	ASSY METER VISOR	6421A-ALJ8-E11	2								
21	SKIRT R SIDE	64305-ALJ8-E10	3								
22	SKIRT L SIDE	64306-ALJ8-E10	3								
23	MOLD R FRONT ASSY	6430A-ALJ8-E10	4								
24	MOLDING FRONT COMP	6430B-ALJ8-E10	4								
25	PLUG FLOOR	64316-LCB9-C10	5								
DATE OF STARTING-SALES											
DATE OF END-SALES											

NO	MODEL			COLOR CHART OF KL25DA(GR)			
	PHOTO NO			NO. 5	NO. 6	NO. 7	NO. 8
	BASIC COLOR			Deep Gray Metallic	Pearly White	Mat Silver	Mat Metallic
	CODE			Deep Gray Metallic	Pearly White	Mat Silver	Mat Metallic
	PARTS NAME	PARTS NO.	VERSION	NH129MA	NH193PA	NH503FA	NH503FA
1	COVER HANDLE FRONT	53205-ALJ8-E10	1	NHP	NVP	HLP	
2	COVER FR	64301-ALJ8-E10	1				
3	COVER R SIDE SKIRT	64307-ALJ8-E10	1				
4	COVER L SIDE SKIRT	64308-ALJ8-E10	1				
5	COVER R BODY	83500-ALJ8-E10	1				
6	COVER L BODY	83600-ALJ8-E10	1				
7	FENDER FR INNER	61100-ALJ8-E10	1				
8	COVER COMP L SIDE	11341-ALJ8-E10	4	HUA			
9	CARRIER ASSY REAR	81200-ALJ8-E10	2	HUP			
10	FR HANDLE COVER	53204-ALJ8-E10	1	N1A			
11	WHEEL COMP FR CAST	42601-ALJ8-E10	1	N1R			
12	COLLAR FUEL CAP	17623-ALJ8-E10	2				
13	CASE BATTERY	50325-ALJ8-E10	1				
14	COVER BATTERY	50326-ALJ8-E10	1				
15	COVER UNDER	50613-ALJ8-E10	4				
16	COVER RR HANDLE	53206-ALJ8-E10	2				
17	PROTECTOR R HANDLE	53207-ALJ8-E10	2				
18	PROTECTOR L HANDLE	53208-ALJ8-E10	2				
19	FENDER FR INNER	61110-ALJ8-E10	1				
20	ASSY METER VISOR	6421A-ALJ8-E11	2				
21	SKIRT R SIDE	64305-ALJ8-E10	3				
22	SKIRT L SIDE	64306-ALJ8-E10	3				
23	MOLD R FRONT ASSY	6430A-ALJ8-E10	4				
24	MOLDING FRONT COMP	6430B-ALJ8-E10	4				
25	PLUG FLOOR	64316-LCB9-C10	5				
DATE OF STARTING-SALES							
DATE OF END-SALES							

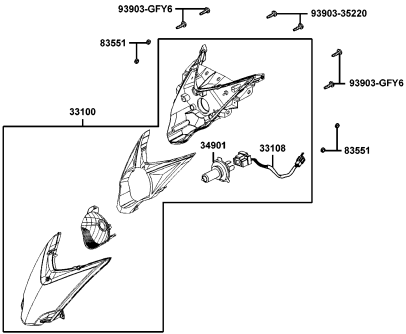
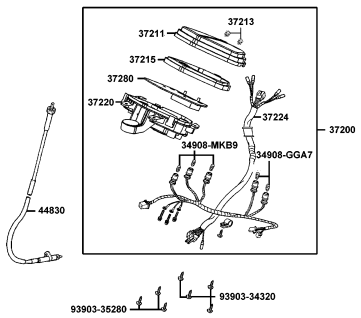
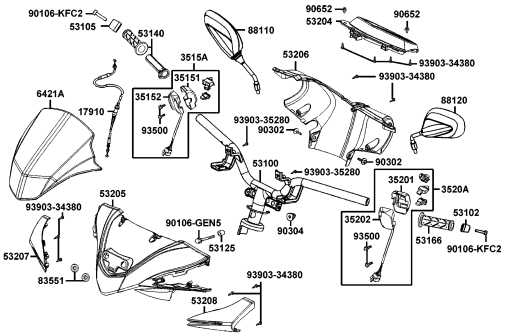
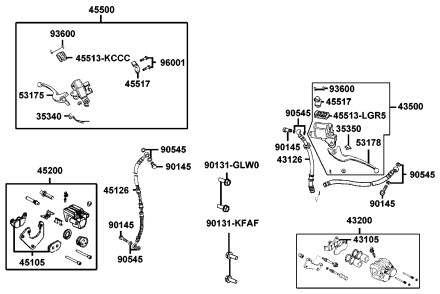
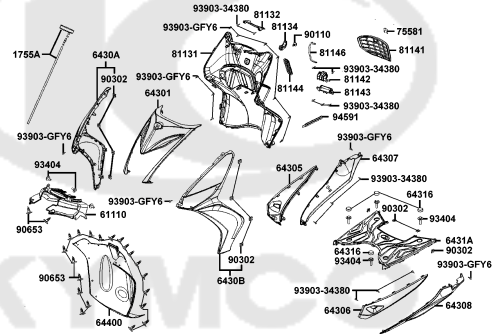
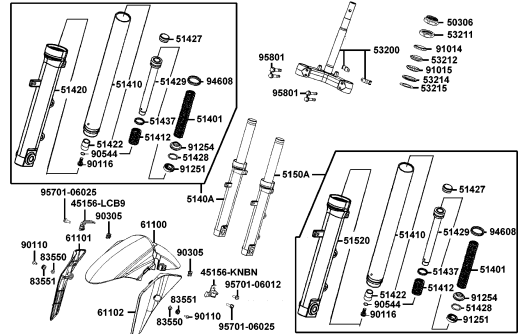
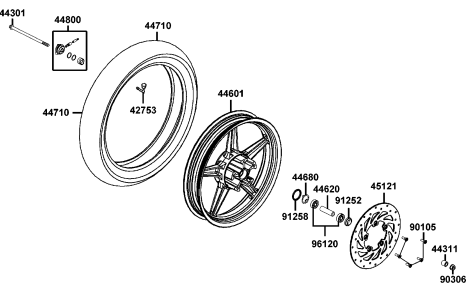
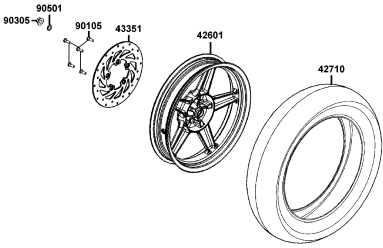
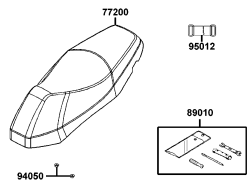
NO	MODEL			COLOR CHART OF KL25DA(GR)							
	PHOTO NO			NO. 1	NO. 2	NO. 3	NO. 4				
	BASIC COLOR			Bright Red	Mat Light Blue	Black					
	CODE			Bright Red	Mat Light Blue	Black					
	PARTS NAME	PARTS NO.	VERSION	CR613PA	CB645FA	NH001SA	NH129MA				
26	FLOOR ASSY PANEL	6431A-ALJ8-E10	2	N1R							
27	COWL ASSY UNDER	64400-ALJ8-E10	2								
28	FENDER RR TIRE	80100-ALJ8-E11	2								
29	FENDER RR INNER	80101-ALJ8-E10	3								
30	LID MAINT TAIL LIGHT	80102-ALJ8-E10	2								
31	FENDER RR	80105-ALJ8-E10	3								
32	COVER ASSY CENTER	8015A-ALJ8-E10	2								
33	LEG SHIELD UP	81131-ALJ8-E10	3								
34	CAP LEG SHIELD UP	81132-ALJ8-E10	2								
35	LID INNER BOX	81141-ALJ8-E10	3								
36	HING LID INNER BOX	81142-ALJ8-E10	1								
37	COVER INNER BOX	81143-ALJ8-E10	2								
38	COVER R RR SIDE	8351A-ALJ8-E10	2								
39	LID R BODY COVER	83520-ALJ8-E10	1								
40	COVER L RR SIDE	8361A-ALJ8-E10	3								
41	LID L BODY COVER	83620-ALJ8-E10	1								
42	CUSHION ASSY RR	52400-ALJ8-E10	1					N1S			
43	FORK SET R FR	5140A-ALJ8-E10	0					NEA			
44	FORK SET L FR	5150A-ALJ8-E10	0								
45	LEVER L STRG HANDLE	53178-KNBN-C00	0					NEP			
46	FENDER B R FR	61101-ALJ8-E10	1								
47	FENDER B L FR	61102-ALJ8-E10	1								
48	MIRROR ASSY R BACK	88110-LEB5-C11	2								
49	MIRROR ASSY L BACK	88120-LEB5-C11	2	NES							
50	MUFFLER COMP EXH	18325-LFC3-E10	2								
DATE OF STARTING-SALES											
DATE OF END-SALES											

NO	MODEL			COLOR CHART OF KL25DA(GR)			
	PHOTO NO			NO. 5	NO. 6	NO. 7	NO. 8
	BASIC COLOR			Deep Gray Metallic	Pearly White	Mat Silver	Mat Metallic
	CODE			Deep Gray Metallic	Pearly White	Mat Silver	Mat Metallic
	PARTS NAME	PARTS NO.	VERSION	NH129MA	NH193PA	NH503FA	NH503FA
26	FLOOR ASSY PANEL	6431A-ALJ8-E10	2				
27	COWL ASSY UNDER	64400-ALJ8-E10	2				
28	FENDER RR TIRE	80100-ALJ8-E11	2				
29	FENDER RR INNER	80101-ALJ8-E10	3				
30	LID MAINT TAIL LIGHT	80102-ALJ8-E10	2				
31	FENDER RR	80105-ALJ8-E10	3				
32	COVER ASSY CENTER	8015A-ALJ8-E10	2				
33	LEG SHIELD UP	81131-ALJ8-E10	3				
34	CAP LEG SHIELD UP	81132-ALJ8-E10	2			N1R	
35	LID INNER BOX	81141-ALJ8-E10	3				
36	HING LID INNER BOX	81142-ALJ8-E10	1				
37	COVER INNER BOX	81143-ALJ8-E10	2				
38	COVER R RR SIDE	8351A-ALJ8-E10	2				
39	LID R BODY COVER	83520-ALJ8-E10	1				
40	COVER L RR SIDE	8361A-ALJ8-E10	3				
41	LID L BODY COVER	83620-ALJ8-E10	1				
42	CUSHION ASSY RR	52400-ALJ8-E10	1			N1S	
43	FORK SET R FR	5140A-ALJ8-E10	0				
44	FORK SET L FR	5150A-ALJ8-E10	0			NEA	
45	LEVER L STRG HANDLE	53178-KNBN-C00	0				
46	FENDER B R FR	61101-ALJ8-E10	1				
47	FENDER B L FR	61102-ALJ8-E10	1				
48	MIRROR ASSY R BACK	88110-LEB5-C11	2			NEP	
49	MIRROR ASSY L BACK	88120-LEB5-C11	2				
50	MUFFLER COMP EXH	18325-LFC3-E10	2			NES	
DATE OF STARTING-SALES							
DATE OF END-SALES							

NO	MODEL			COLOR CHART OF KL25DA(GR)			
	PHOTO NO			NO. 1	NO. 2	NO. 3	NO. 4
	BASIC COLOR			Bright Red	Mat Light Blue	Black	
	CODE			Bright Red	Mat Light Blue	Black	
	PARTS NAME	PARTS NO.	VERSION	CR613PA	CB645FA	NH001SA	NH129MA
51	CALIPER ASSY RR	43200-LFC4-E80	1	NJA			
52	SEAT ASSY	77200-ALJ8-E10	2	T01			
53	EMB KYMCO	86102-ALG1-E00	2				
54	EMB BODY COVER	86202-ALJ8-E10	0				
55	STRIPE METER	86407-ALJ8-E10	0				
56	EMB MARK 125	87140-ALJ9-E10	0				
57	LABEL TIRE	87505-ALJ8-E10	2				
58	LABEL OIL CAP	87541-KUDU-E00	1				
59	CAUTION ANTI	87224-ALJ9-E10	0				
60	CAUTION SIDE STAND	87541-GAR1-C01	1				
61	MARK MAINT CAUTION	87542-GAR1-C01	2				
62	MARK DRIVE CAUTION	87560-GFY6-E11	3				
DATE OF STARTING-SALES							
DATE OF END-SALES							

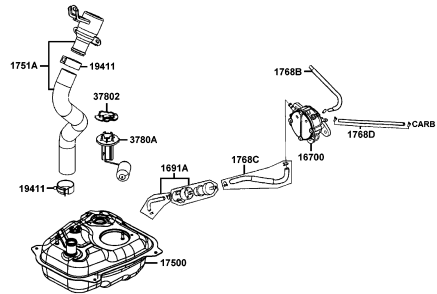
NO	MODEL			COLOR CHART OF KL25DA(GR)						
	PHOTO NO			NO. 5	NO. 6	NO. 7	NO. 8			
	BASIC COLOR			Deep Gray Metallic	Pearly White	Mat Silver	Mat Metallic			
	CODE			Deep Gray Metallic	Pearly White	Mat Silver	Mat Metallic			
	PARTS NAME	PARTS NO.	VERSION	NH129MA	NH193PA	NH503FA	NH503FA			
51	CALIPER ASSY RR	43200-LFC4-E80	1	NJA						
52	SEAT ASSY	77200-ALJ8-E10	2	T01						
53	EMB KYMCO	86102-ALG1-E00	2							
54	EMB BODY COVER	86202-ALJ8-E10	0							
55	STRIPE METER	86407-ALJ8-E10	0							
56	EMB MARK 125	87140-ALJ9-E10	0							
57	LABEL TIRE	87505-ALJ8-E10	2							
58	LABEL OIL CAP	87541-KUDU-E00	1							
59	CAUTION ANTI	87224-ALJ9-E10	0							
60	CAUTION SIDE STAND	87541-GAR1-C01	1							
61	MARK MAINT CAUTION	87542-GAR1-C01	2							
62	MARK DRIVE CAUTION	87560-GFY6-E11	3							
DATE OF STARTING-SALES										
DATE OF END-SALES										

CONTENTS - FRAME GROUP

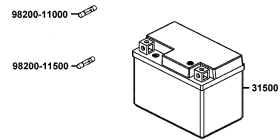
<p>F01 Head Light</p> 	<p>F02 Speedometer</p> 	<p>F03 Handle Steering Handle Cover</p> 
<p>F04 Brake Master Cylinder</p> 	<p>F05 Front Cover Front Fender</p> 	<p>F06 Stem Steering Front Cushion</p> 
<p>F07 Front Wheel</p> 	<p>F08 Rear Wheel</p> 	<p>F09 Seat</p> 

CONTENTS - FRAME GROUP

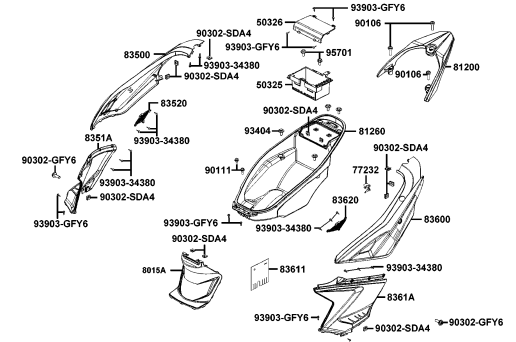
F10 Fuel Tank



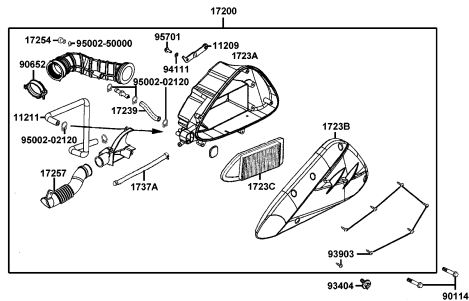
F11 Battery



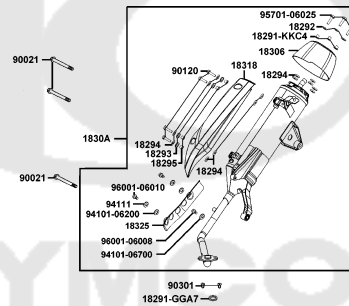
F12 Body Cover Luggage Box



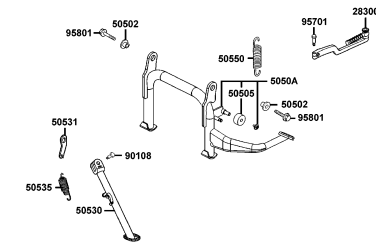
F13 Air Cleaner



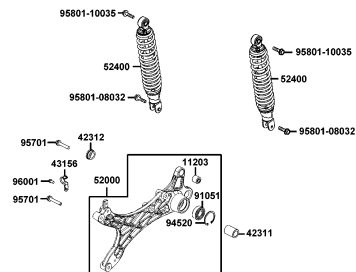
F14 Exhaust Muffler



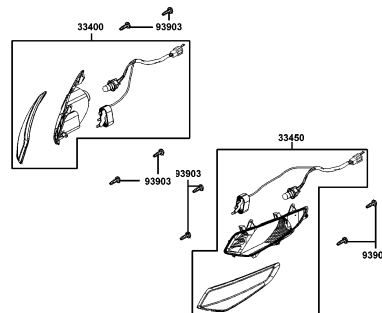
F15 Stand Kick Starter Arm



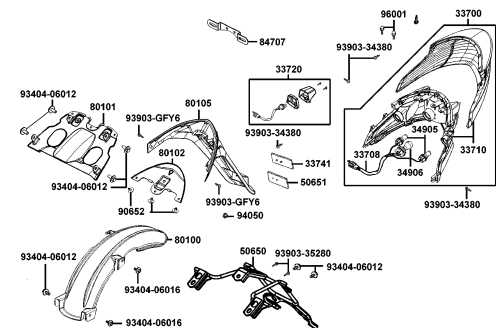
F16 Rear Cushion



F17 Front Winker



F18 Tail Light

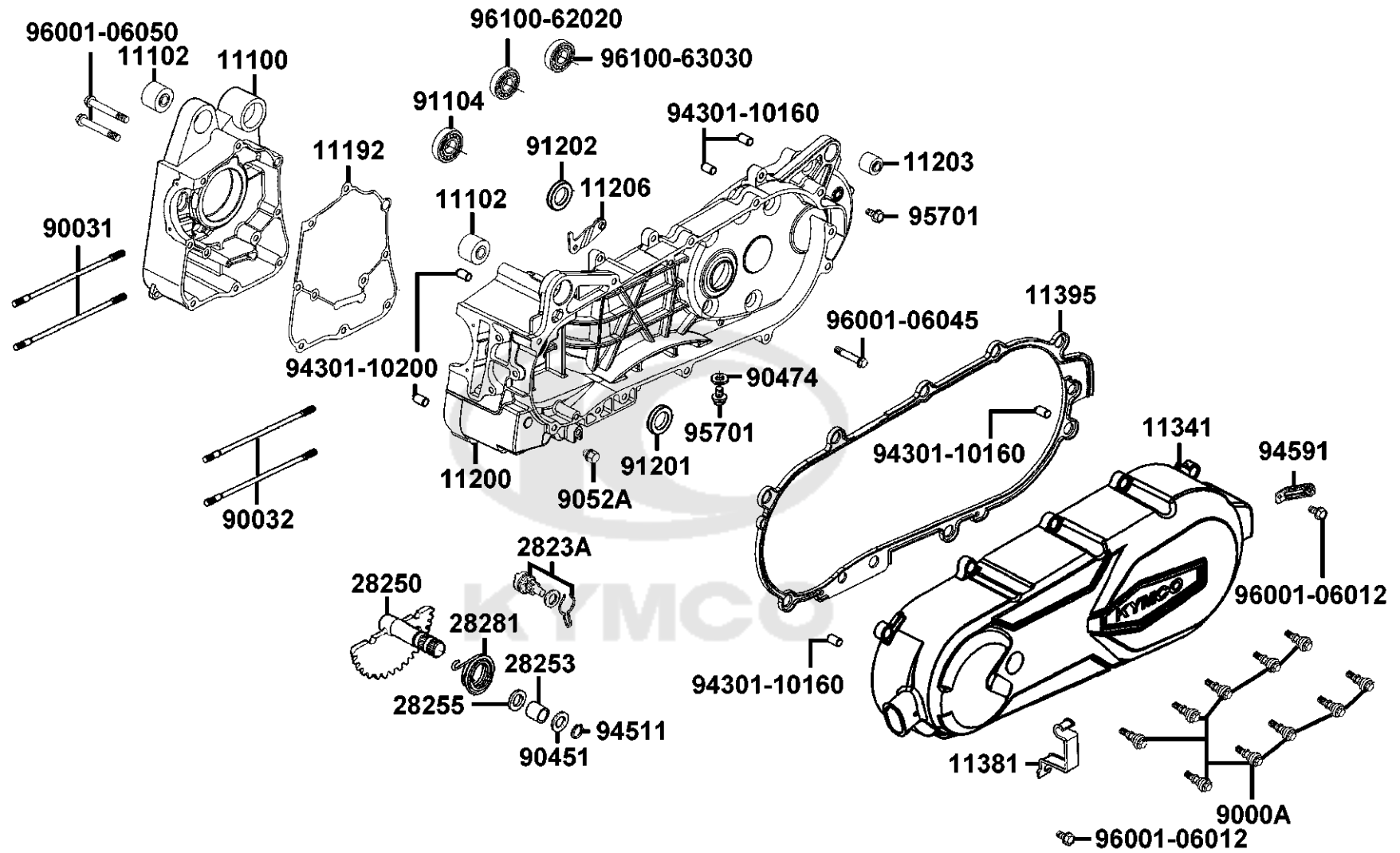


CONTENTS - FRAME GROUP

F19 Wire Harness	F20 Frame Body	F21 Air Cleaner Two
<p>F22 Emblem Stripe</p>		

E01

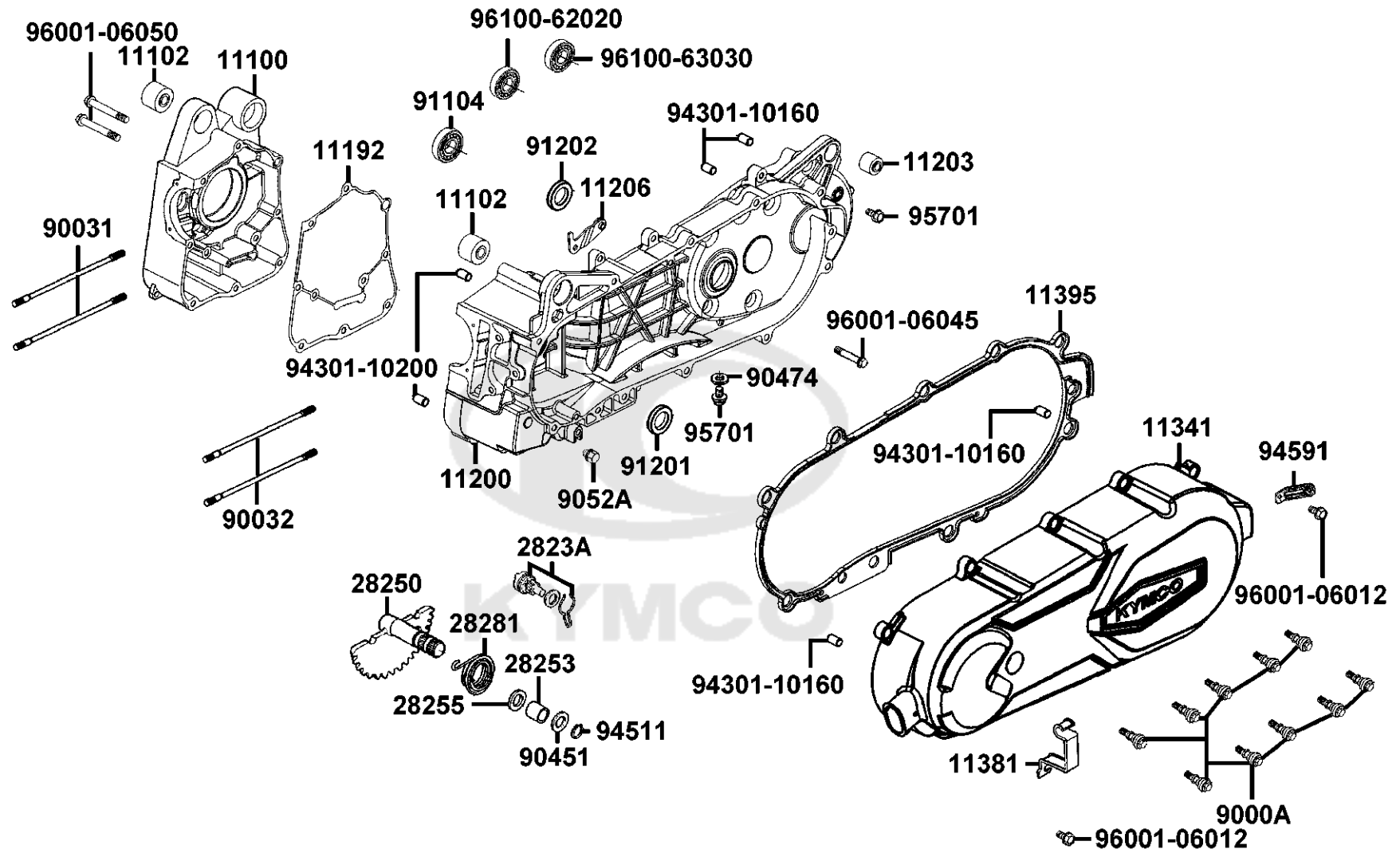
Crank Case



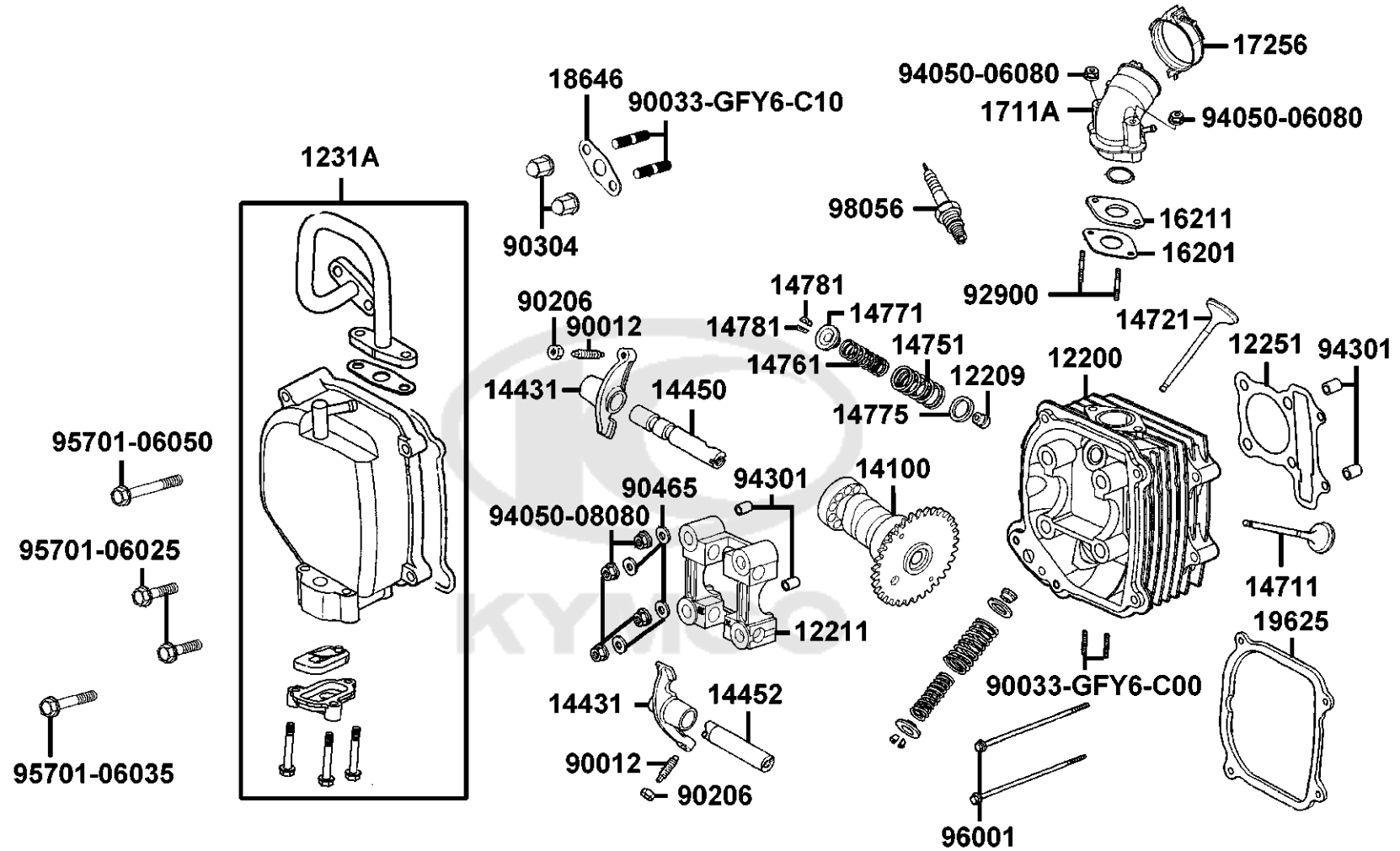
Sales mark	Ref no	Part no	Description	Reg description	Regd no	E01
	11100	11100-KUDU-C00	CRANK CASE COMP RIGHT	CRANK CASE COMP RIGHT	1	
	11102	11102-1G87-C00	RUB BUSH ENG HANGER	RUB BUSH ENG HANGER	2	
	11192	11192-KUDU-E90	GASKET CRANK CASE @ A	GASKET CRANK CASE @ A	1	
	11200	11200-LCD3-C00	CRANK CASE COMP L	CRANK CASE COMP L	1	
	11203	11203-GGC7-W10	UNDER RUBBER BUSH REAR CUSHION	UNDER RUBBER BUSH REAR CUSHION	1	
	11206	11206-LCD3-C00	STAY A RR FENDER	STAY A RR FENDER	1	
**	11341	11341-ALJ8-E10	COVER COMP L SIDE	COVER COMP L SIDE	1	
	11381	11381-KHB4-C00	"CLAMPER,THROTTLE CABLE"	"CLAMPER,THROTTLE CABLE"	1	
	11395	11395-KHB4-C00	GASKET L COVER @A	GASKET L COVER @A	1	
	2823A	2823A-KNBN-C00	SPINDLE COMP KICK STARTER	SPINDLE COMP KICK STARTER	1	
	28250	28250-LDA6-C00	SPINDLE COMP. KICK STARTER	SPINDLE COMP. KICK STARTER	1	
	28253	28253-GBN2-602	BUSH KICK SPINDLE	BUSH KICK SPINDLE	1	
	28255	28255-GFS6-C00	COLLAR KICK BOSS	COLLAR KICK BOSS	1	
	28281	28281-GBN2-C00	SPRING KICK RETURN	SPRING KICK RETURN	1	
	9000A	9000A-KTDT-C03	BOLT ASSY SPECIAL 6*29.5	BOLT ASSY SPECIAL 6*29.5	10	
	9000A	9000A-LEJ2-E10	BOLT ASSY SPECIAL 6*27	BOLT ASSY SPECIAL 6*27	10	
	90031	90031-KUDU-C00	BOLT A STUD 8*200.5	BOLT A STUD 8*200.5	2	
	90031	90031-KUDU-C01	BOLT A STUD 8*200.5	BOLT A STUD 8*200.5	2	
	90032	90032-KUDU-C00	BOLT B STUD 8*208.5	BOLT B STUD 8*208.5	2	
	90451	90451-GBN2-C00	WASHER KICK SPINDLE	WASHER KICK SPINDLE	1	

E01

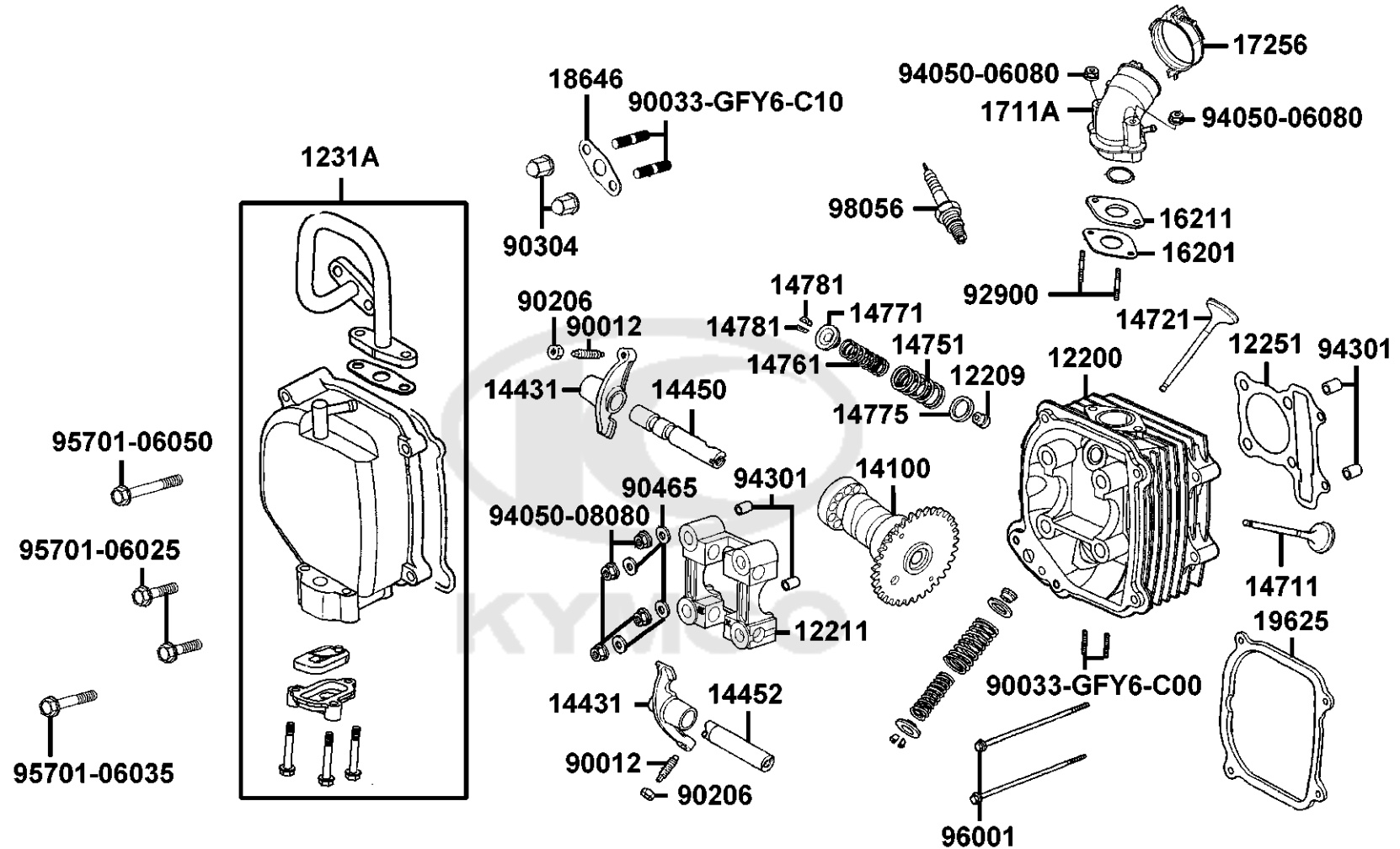
Crank Case



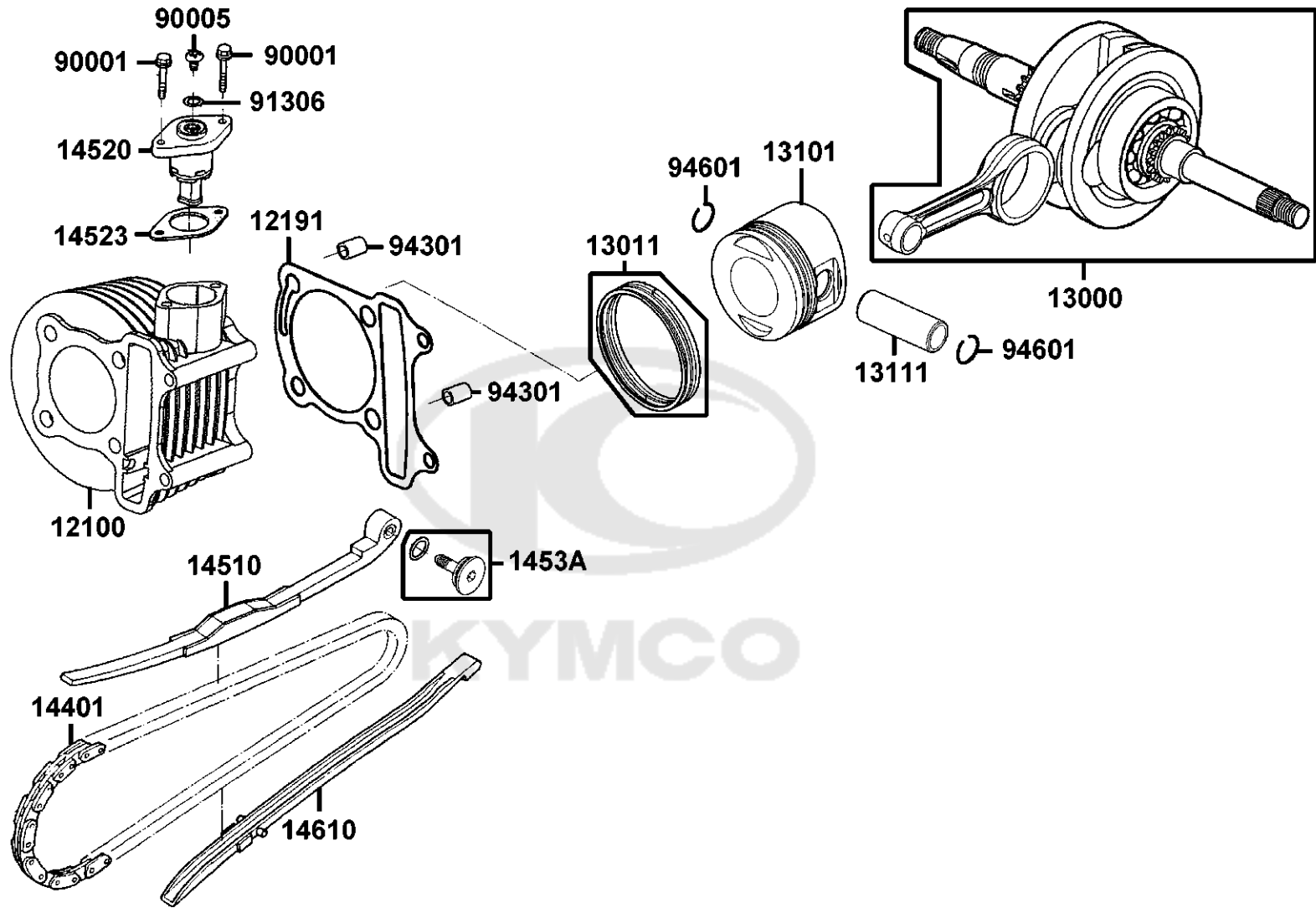
Sales mark	Ref no	Part no	Description	Reg description	Regd no	E01
90474		90474-3C33-C00	WASHER 8MM(T*2)	WASHER 8MM(T*2)	1	
9052A		9052A-GFY6-C00	BLOT ASSY DRAIN PLUG	BLOT ASSY DRAIN PLUG	1	
9052A		9052A-PUA3-B50	BLOT ASSY DRAIN PLUG	BLOT ASSY DRAIN PLUG	1	
91104		91104-KGN7-671	BRG BALL RADIAL 6204	BRG BALL RADIAL 6204	1	
91201		91201-GFY6-C00	OIL SEAL 19.8*30*5	OIL SEAL 19.8*30*5	1	
91202		91202-KKJ9-C00	OIL SEAL 20*32*6	OIL SEAL 20*32*6	1	
94301-10160		94301-10160	DOWEL PIN 10*16	DOWEL PIN 10*16	4	
94301-10200		94301-10200	DOWEL PIN 10*20	DOWEL PIN 10*20	2	
94511		94511-14000	CIR CLIP EX 14	CIR CLIP EX 14	1	
94591		94591-LDC8-E10	CLIP BIND	CLIP BIND	1	
95701		95701-08012-08	BOLT FLANGE 8*12 (C)	BOLT FLANGE 8*12 (C)	2	
95701		95701-08012-08G	BOLT FLANGE 8*12 (C)	BOLT FLANGE 8*12 (C)	2	
96001-06012		96001-06012-08	BOLT FLANGE 6*12	BOLT FLANGE 6*12	2	
96001-06012		96001-06012-08G	BOLT FLANGE SH 6*12 (C)	BOLT FLANGE SH 6*12 (C)	2	
96001-06045		96001-06045-08	BOLT FLANGE SH 6*45 (C)	BOLT FLANGE SH 6*45 (C)	10	
96001-06050		96001-06050-08	BOLT FLANGE 6*50	BOLT FLANGE 6*50	2	
96100-62020		96100-62020-00	BEARING BALL RADIAL 6202	BEARING BALL RADIAL 6202	1	
96100-63030		96100-63030-00	BEARING BALL RADIAL 6303	BEARING BALL RADIAL 6303	1	



Sales mark	Ref no	Part no	Description	Reg description	Regd no	E02
12200		12200-KUDU-C10	HEAD COMP CYLN	HEAD COMP CYLN	1	
12209		12209-GDB4-C00	SEAL VALVE STEM	SEAL VALVE STEM	2	
12211		12211-KUDU-W10	HOLDER CAM SHAFT COMP	HOLDER CAM SHAFT COMP	1	
12251		12251-GFY6-C00	GASKET CYLINDER HEAD	GASKET CYLINDER HEAD	1	
1231A		1231A-KHC4-C11	COVER ASSY HEAD	COVER ASSY HEAD	1	
14100		14100-ALJ9-E10	"SHAFT COMP., CAM"	"SHAFT COMP., CAM"	1	
14431		14431-KUDU-W10	ARM VALVE ROCKER	ARM VALVE ROCKER	2	
14450		14450-GFY6-W10	SHAFT COMP IN ROCKER ARM	SHAFT COMP IN ROCKER ARM	1	
14452		14452-GFY6-W10	SHAFT EXH ROCKER ARM	SHAFT EXH ROCKER ARM	1	
14711		14711-KUDU-C00	VALVE INLET	VALVE INLET	1	
14721		14721-KUDU-C00	VALVE EXHAUST	VALVE EXHAUST	1	
14751		14751-KUDU-C10	SPRING VALVE OUTER	SPRING VALVE OUTER	2	
14761		14761-KUDU-C10	SPG VALVE INNER	SPG VALVE INNER	2	
14771		14771-GDB4-C00	RETAINER VALVE SPRING	RETAINER VALVE SPRING	2	
14775		14775-MFA6-C00	SEAT VALVE SPG OUTER	SEAT VALVE SPG OUTER	2	
14781		14781-MFA6-C00	COTTER VALVE	COTTER VALVE	4	
16201		16201-GFY6-E90	GASKET CARB INSULATOR	GASKET CARB INSULATOR	1	
16211		16211-GFY6-W10	INSULATOR CARB	INSULATOR CARB	1	
1711A		1711A-ALJ9-E10	PIPE ASSY. INLET	PIPE ASSY. INLET	1	
17256		17256-GFY6-C00	BAND INSULATOR	BAND INSULATOR	1	



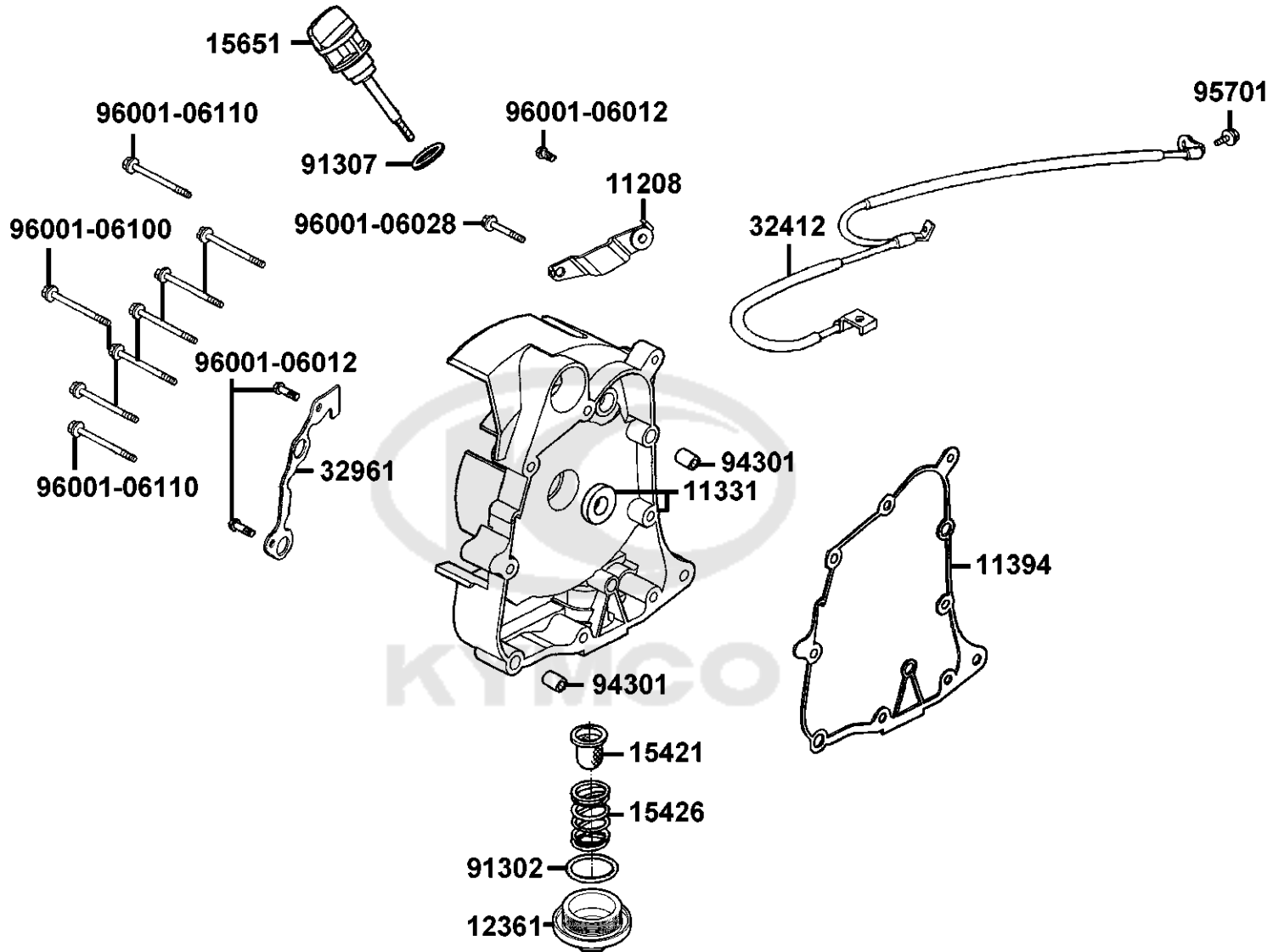
Sales mark	Ref no	Part no	Description	Reg description	Regd no	E02
	18646	18646-LDC8-E10	GASKET A/I PIPE	GASKET A/I PIPE	1	
	19625	19625-KUDU-C00	SEAL SHROUD	SEAL SHROUD	1	
	90012	90012-3C33-C00	SCREW TAPPET ADJUSTING	SCREW TAPPET ADJUSTING	2	
	90033-GFY6-C00	90033-GFY6-C00	BOLT 8*32	BOLT 8*32	2	
	90033-GFY6-C10	90033-GFY6-C10	BOLT STUD 6*16	BOLT STUD 6*16	2	
	90206	90206-0A01-C00	NUT TAPPET ADJG	NUT TAPPET ADJG	2	
	90304	90304-4H38-C00	NUT HEX CAP 6MM	NUT HEX CAP 6MM	2	
	90465	90465-MDC4-C00	WASHER 8MM	WASHER 8MM	4	
	92900	92900-06060-0B	BOLT STUD 6*60	BOLT STUD 6*60	2	
	94050-06080	94050-06080	NUT FLANGE 6MM	NUT FLANGE 6MM	2	
	94050-08080	94050-08080	NUT FLANGE 8MM	NUT FLANGE 8MM	4	
	94301	94301-10160	DOWEL PIN 10*16	DOWEL PIN 10*16	4	
	95701-06025	95701-06025-08	BOLT FLANGE 6*25	BOLT FLANGE 6*25	2	
	95701-06035	95701-06035-08	BOLT FLANGE 6*35 (C)	BOLT FLANGE 6*35 (C)	1	
	95701-06050	95701-06050-08	BOLT FLANGE 6*50 (C)	BOLT FLANGE 6*50 (C)	1	
	96001	96001-06100-08	BOLT FLANGE SH 6*100 (C)	BOLT FLANGE SH 6*100 (C)	2	
	98056	98056-5771R-00	SPARK PLUG (CR7HSA)	SPARK PLUG (CR7HSA)	1	



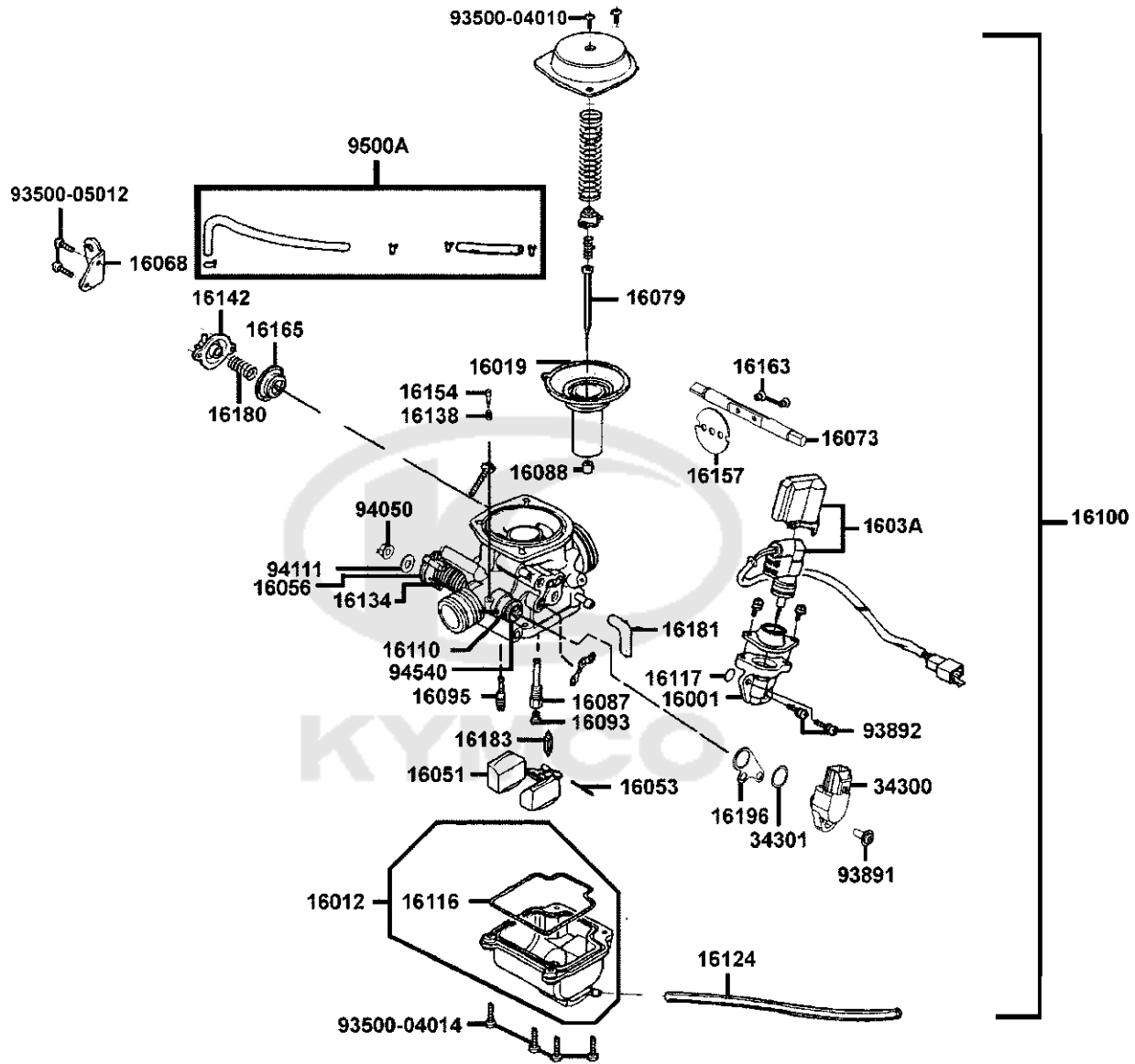
Sales mark	Ref no	Part no	Description	Reg description	Regd no	E03
	12100	12100-GFY6-C00	CYLINDER COMP	CYLINDER COMP	1	
	12191	12191-GFY6-E90	GASKET CRANK CASE @ A	GASKET CRANK CASE @ A	1	
	13000	13000-KUDU-C00	CRANK SHAFT COMP	CRANK SHAFT COMP	1	
	13011	13011-GFY6-C00	RING ASSY PISTON	RING ASSY PISTON	1	
	13101	13101-KUDU-C00	PISTON A	PISTON A	1	
	13111	13111-3D84-C00	PIN PISTON	PIN PISTON	1	
	14401	14401-KUDU-C00	CHAIN CAM	CHAIN CAM	1	
	14510	14510-KUDU-C00	TENSIONER CAM CHAIN	TENSIONER CAM CHAIN	1	
	14510	14510-KUDU-C0B	TENSIONER CAM CHAIN	TENSIONER CAM CHAIN	1	
	14520	14520-GFY6-C00	LIFTER ASSY TENSIONER	LIFTER ASSY TENSIONER	1	
	14523	14523-GFY6-E90	GASKET TENSIONER LIFTER@A	GASKET TENSIONER LIFTER@A	1	
	1453A	1453A-GFY6-W10	PIVOT CAM CHAIN TENSIONER	PIVOT CAM CHAIN TENSIONER	1	
	14610	14610-KUDU-C00	GUIDE COMP CAM CHAIN	GUIDE COMP CAM CHAIN	1	
	14610	14610-KUDU-C0B	GUIDE COMP CAM CHAIN	GUIDE COMP CAM CHAIN	1	
	14610	14610-KUDU-C10	GUIDE COMP CAM CHAIN	GUIDE COMP CAM CHAIN	1	
	90001	90001-GBHB-C00	BOLT FLANGE SH 6X22	BOLT FLANGE SH 6X22	2	
	90005	90005-KAW1-901	SCREW PAN 6*6	SCREW PAN 6*6	1	
	91306	91306-1E05-C00	O-RING 1.5*9.5	O-RING 1.5*9.5	1	
	94301	94301-10160	DOWEL PIN 10*16	DOWEL PIN 10*16	2	
	94601	94601-15000	CLIP PISTON PIN 15MM	CLIP PISTON PIN 15MM	2	

E04

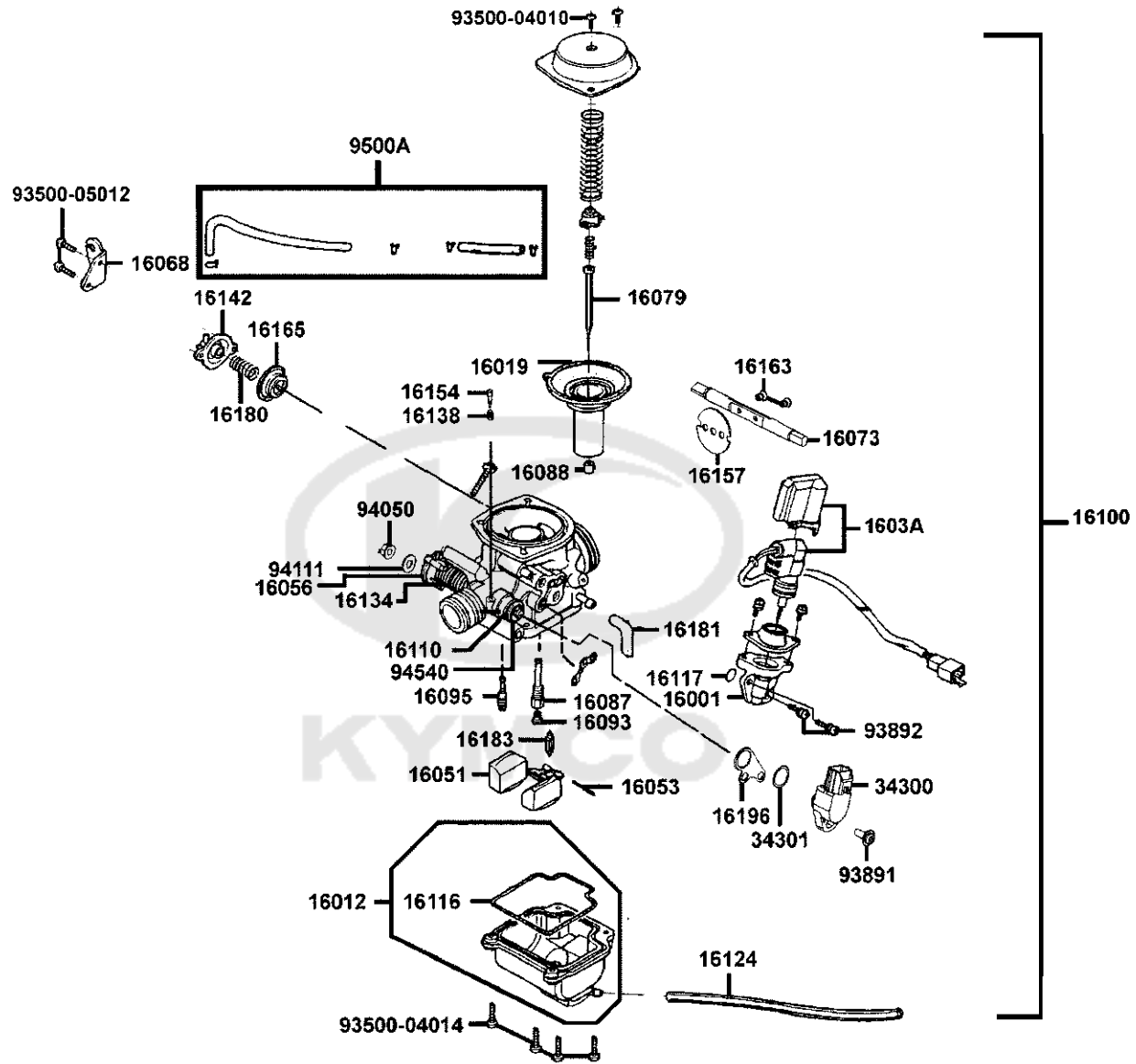
Right Crankcase Cover



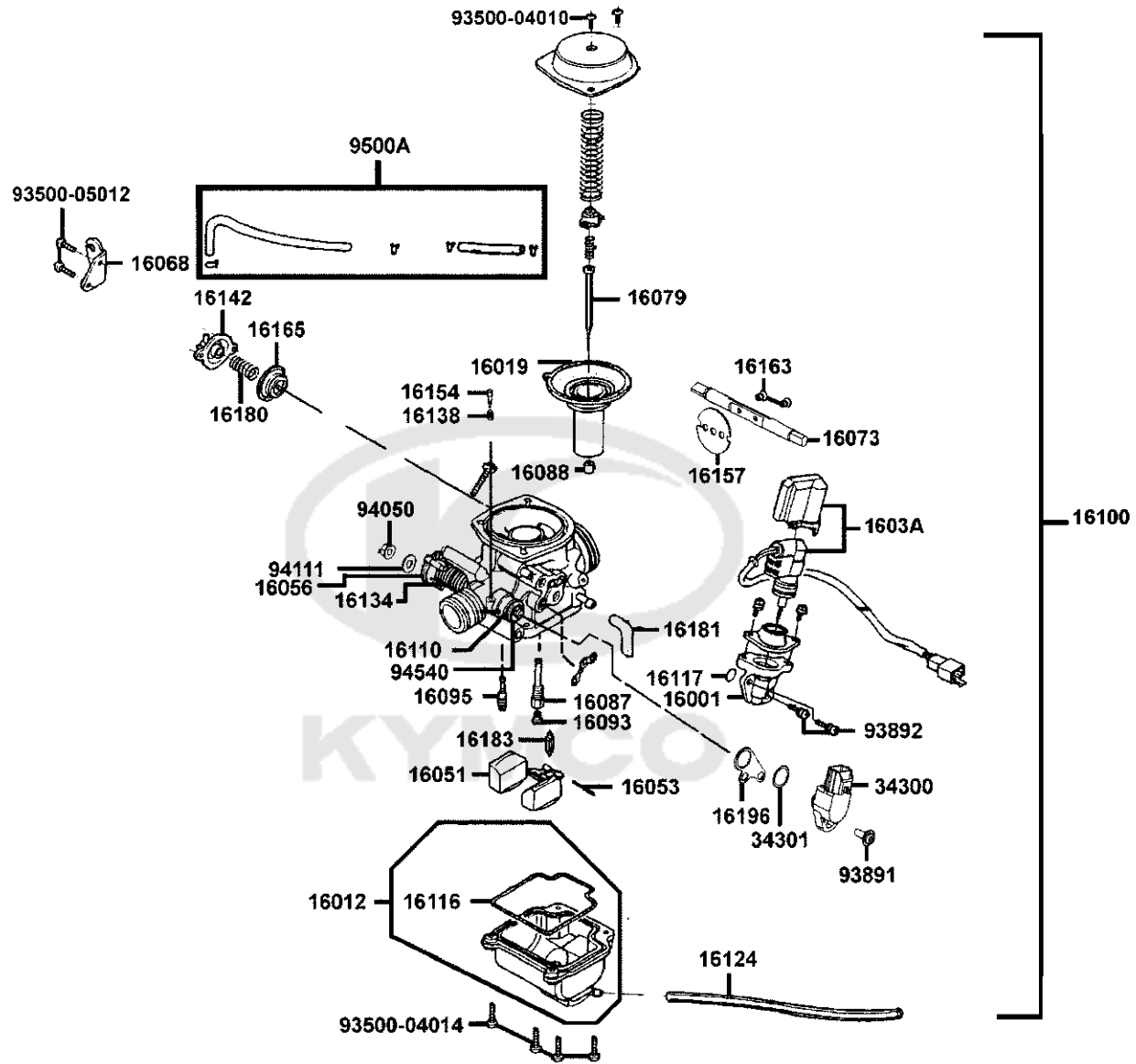
Sales mark	Ref no	Part no	Description	Reg description	Regd no	E04
11208		11208-LFC3-E10	"STAY, RR TIRE FENDER"	"STAY, RR TIRE FENDER"	1	
11331		11331-LCD3-E00	COVER R CRANK CASE	COVER R CRANK CASE	1	
11394		11394-KUDU-E90	GASKET R COVER	GASKET R COVER	1	
12361		12361-GFY6-C00	HOLE CAP TAPPET ADJUSTING	HOLE CAP TAPPET ADJUSTING	1	
15421		15421-1G07-W10	SCREEN OIL FILTER	SCREEN OIL FILTER	1	
15426		15426-GAE1-C00	SPG OIL FILTER SCREEN	SPG OIL FILTER SCREEN	1	
15651		15651-KUDU-W10	GUAGE OIL LEVEL	GUAGE OIL LEVEL	1	
32412		32412-ALJ8-E10	CABLE EARTH	CABLE EARTH	1	
32961		32961-KUDU-C00	CLAMPER ACG CORD	CLAMPER ACG CORD	1	
91302		91302-0A01-C00	O-RING 30.8M/M	O-RING 30.8M/M	1	
91307		91307-0E35-W10	O-RING 18*3	O-RING 18*3	1	
94301		94301-10160	DOWEL PIN 10*16	DOWEL PIN 10*16	2	
95701		95701-06012-08	BOLT FLANGE 6*12	BOLT FLANGE 6*12	1	
96001-06012		96001-06012-08	BOLT FLANGE 6*12	BOLT FLANGE 6*12	3	
96001-06012		96001-06012-08G	BOLT FLANGE SH 6*12 (C)	BOLT FLANGE SH 6*12 (C)	3	
96001-06028		96001-06028-08	BOLT FLANGE SH 6*28	BOLT FLANGE SH 6*28	1	
96001-06100		96001-06100-08	BOLT FLANGE SH 6*100 (C)	BOLT FLANGE SH 6*100 (C)	6	
96001-06110		96001-06110-08	BOLT FLANGE SH 6*110	BOLT FLANGE SH 6*110	2	



Sales mark	Ref no	Part no	Description	Reg description	Regd no	E05
16001		16001-KEC3-900	BODY ASSY BY-ST	BODY ASSY BY-ST	1	
16012		16012-KEC3-C01	CHAMBER COMP FLOAT	CHAMBER COMP FLOAT	1	
16019		16019-KUDU-C00	VALVE ASSY PISTON	VALVE ASSY PISTON	1	
1603A		1603A-LFC3-E10	UNIT BY-ST ASSY	UNIT BY-ST ASSY	1	
16051		16051-KEC3-C00	BODY FLOAT	BODY FLOAT	1	
16053		16053-KEC3-C00	PIN FLOAT	PIN FLOAT	1	
16056		16056-KKC8-500	SHAFT ASSY THROTTLE	SHAFT ASSY THROTTLE	1	
16068		16068-KEC3-C00	PLATE WIRE FIXED	PLATE WIRE FIXED	1	
16073		16073-KKC8-500	SHAFT THROTTLE	SHAFT THROTTLE	1	
16079		16079-ALG1-E10	NEEDLE ASSY JET	NEEDLE ASSY JET	1	
16087		16087-KEC3-C00	TUBE EMULSION	TUBE EMULSION	1	
16088		16088-LDF7-C00	JET NEEDLE	JET NEEDLE	1	
16093		16093-5102-E10	JET MAIN	JET MAIN	1	
16095		16095-KEC3-900	JET SLOW	JET SLOW	1	
16100		16100-ALJ9-E10	CARBURETOR ASSY	CARBURETOR ASSY	1	
16110		16110-KEC3-900	WASHER THROTTLE COMP	WASHER THROTTLE COMP	1	
16116		16116-KEC3-M30	PACKING FOLAT CHAMBER	PACKING FOLAT CHAMBER	1	
16117		16117-KEC3-900	PACKING BY-ST	PACKING BY-ST	1	
16124		16124-KEC3-900	TUBE COMPL 3.5*300	TUBE COMPL 3.5*300	1	
16134		16134-KEC3-900	SPG THROTTLE RETUR	SPG THROTTLE RETUR	1	



Sales mark	Ref no	Part no	Description	Reg description	Regd no	E05
	16138	16138-KGC5-900	SPRING IDLE ADJUST SCREW	SPRING IDLE ADJUST SCREW	1	
	16142	16142-KEC3-C00	COVER ACV	COVER ACV	1	
	16154	16154-KEC3-C00	SCREW IDEL ADJUST	SCREW IDEL ADJUST	1	
	16157	16157-KEC3-900	VALVE TUHROTTL	VALVE TUHROTTL	1	
	16163	16163-KEC3-900	SCREW THROTTLE VALVE	SCREW THROTTLE VALVE	1	
	16180	16180-KEC3-C00	PLATE WIRE FIXED	PLATE WIRE FIXED	1	
	16181	16181-KEC3-C00	TUBE AIR VENT	TUBE AIR VENT	1	
	16183	16183-KEC3-900	FLOAT VALEV ASSY	FLOAT VALEV ASSY	1	
	16183	16183-KEC3-C00	VALVE COMPL.FLOAT	VALVE COMPL.FLOAT	1	
	16196	16196-KKC8-500	PLATE	PLATE	1	
	34300	34300-KKE3-900	THROTTLE POSITION SENSOR	THROTTLE POSITION SENSOR	1	
	34301	34301-KKE3-900	O-RING THROTTLE POSITION SENSOR	O-RING THROTTLE POSITION SENSOR	1	
	93500-04010	93500-04010-08	SCREW PAN 4*10	SCREW PAN 4*10	1	
	93500-04014	93500-04014-1A	SCREW PAN 4*14(B)	SCREW PAN 4*14(B)	1	
	93500-05012	93500-05012-08	SCREW PAN 5*12	SCREW PAN 5*12	1	
	93891	93891-05016-08	SCREW WASHER 5*16 (K)	SCREW WASHER 5*16 (K)	1	
	93892	93892-05012-18	SCREW WASHER 5*12(C)	SCREW WASHER 5*12(C)	1	
	94050	94050-06080	NUT FLANGE 6MM	NUT FLANGE 6MM	1	
	94111	94111-06800	WASHER PLAIN 6MM	WASHER PLAIN 6MM	1	
	94540	94540-50029	E-CLIP SHAFT	E-CLIP SHAFT	1	



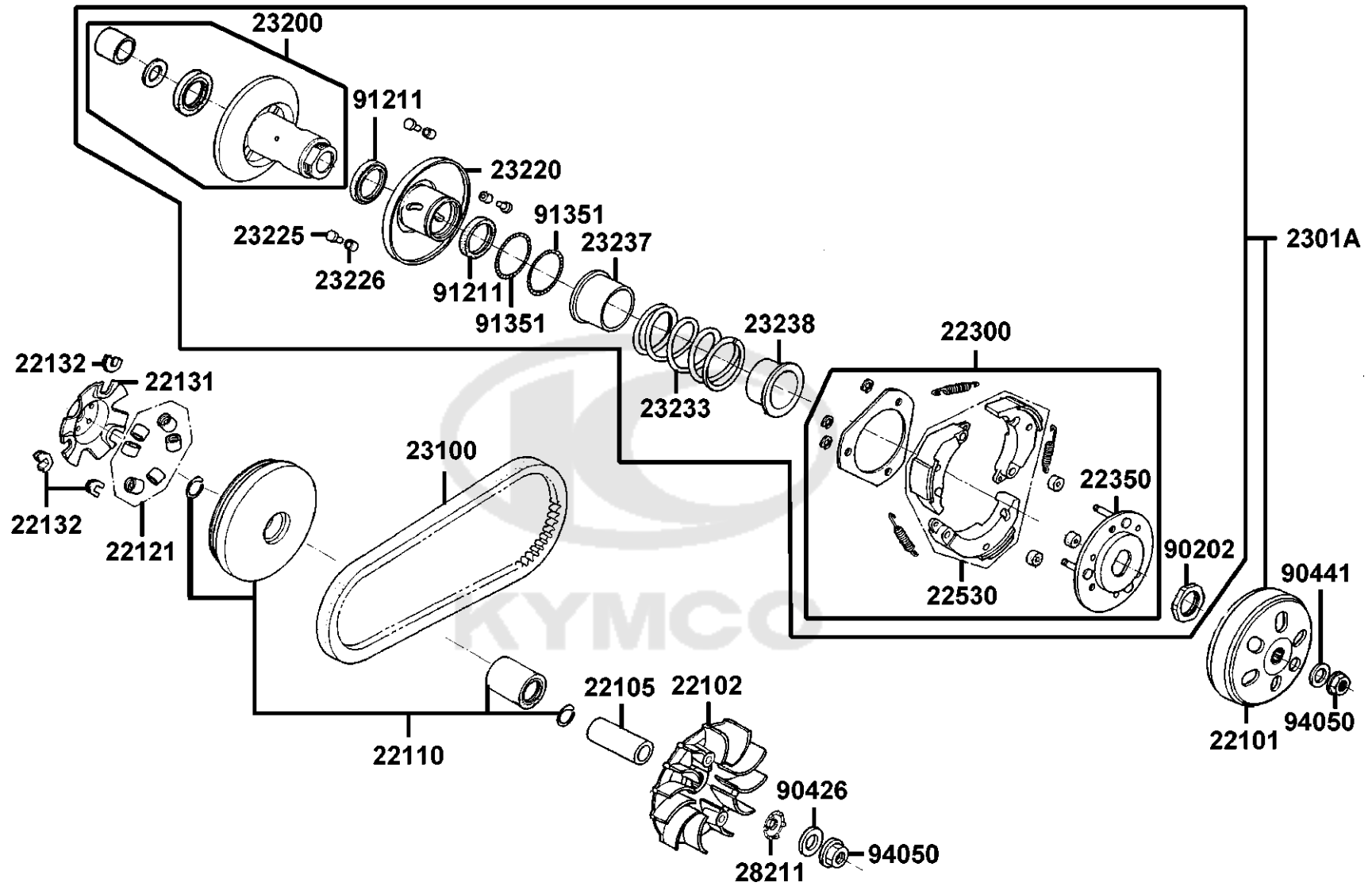
Sales mark	Ref no	Part no	Description	Reg description	Regd no	E05
------------	--------	---------	-------------	-----------------	---------	------------

9500A	9500A-35250-20	9500A-35250-20	"TUBE JOINT ASSY 3 WAY,ACV"	"TUBE JOINT ASSY 3 WAY,ACV"	1	
-------	----------------	----------------	-----------------------------	-----------------------------	---	--



E06

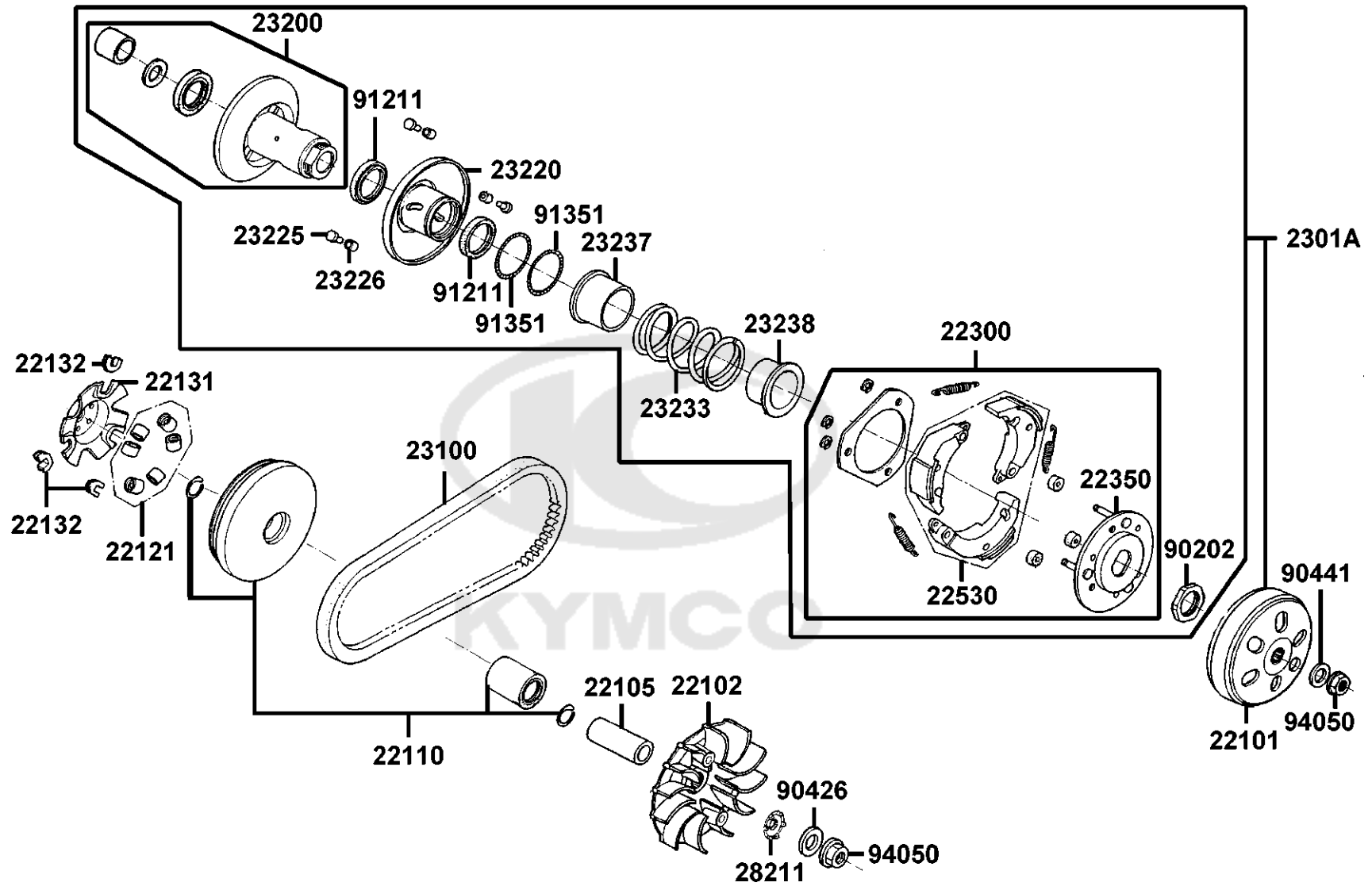
Driven Pulley



Sales mark	Ref no	Part no	Description	Reg description	Regd no	E06
22101		22101-LCD3-C00	OUTER CLUTCH	OUTER CLUTCH	1	
22102		22102-KUDU-E80	FACE DRIVE	FACE DRIVE	1	
22105		22105-LGS6-E10	BOSS DRIVE FACE	BOSS DRIVE FACE	1	
22110		22110-KUDU-E80	FACE COMP MOVABLE DRIVE	FACE COMP MOVABLE DRIVE	1	
22121		22121-LFC4-315	ROLLER COMP WEIGHT	ROLLER COMP WEIGHT	1	
22121		22121-LFC4-E10	ROLLER COMP WEIGHT	ROLLER COMP WEIGHT	6	
22131		22131-GFY6-C00	PLATE RAMP	PLATE RAMP	1	
22132		22132-KBN2-315	PIECE SLIDE	PIECE SLIDE	3	
22132		22132-KBN2-C00	PIECE SLIDE	PIECE SLIDE	3	
22300		22300-LCD4-C00	PLATE ASSY DRIVE	PLATE ASSY DRIVE	1	
22350		22350-GFY6-C00	PLATE COMP DRIVE	PLATE COMP DRIVE	1	
22530		22530-LCD3-C00	"WEIGHT,CLUTCH"	"WEIGHT,CLUTCH"	3	
2301A		2301A-LCD4-C00	PULLEY SUB ASSY	PULLEY SUB ASSY	1	
23100		23100-KEC4-C00	BELT DRIVE	BELT DRIVE	1	
23100		23100-KEC4-C0E	BELT DRIVE	BELT DRIVE	1	
23200		23200-GFY6-C00	FACE ASSY DRIVEN	FACE ASSY DRIVEN	1	
23220		23220-KFBF-C00	FACE MOVABLE DRIVEN	FACE MOVABLE DRIVEN	1	
23225		23225-GHC8-C00	PIN ROLLER GUIDE	PIN ROLLER GUIDE	3	
23226		23226-GHC8-C00	ROLLER GUIDE	ROLLER GUIDE	3	
23233		23233-GCW3-C00	SPG DRIVEN FACE	SPG DRIVEN FACE	1	

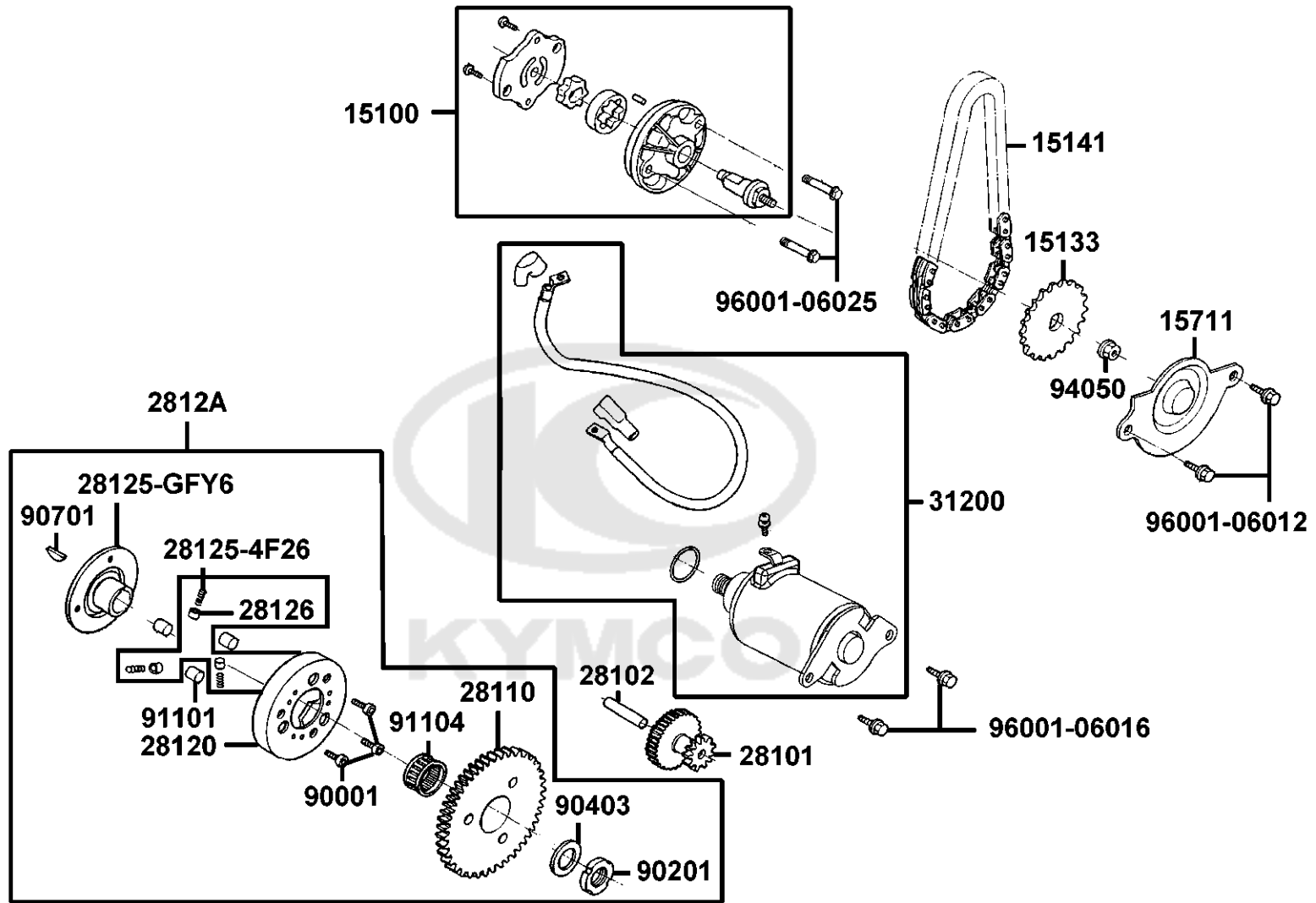
E06

Driven Pulley



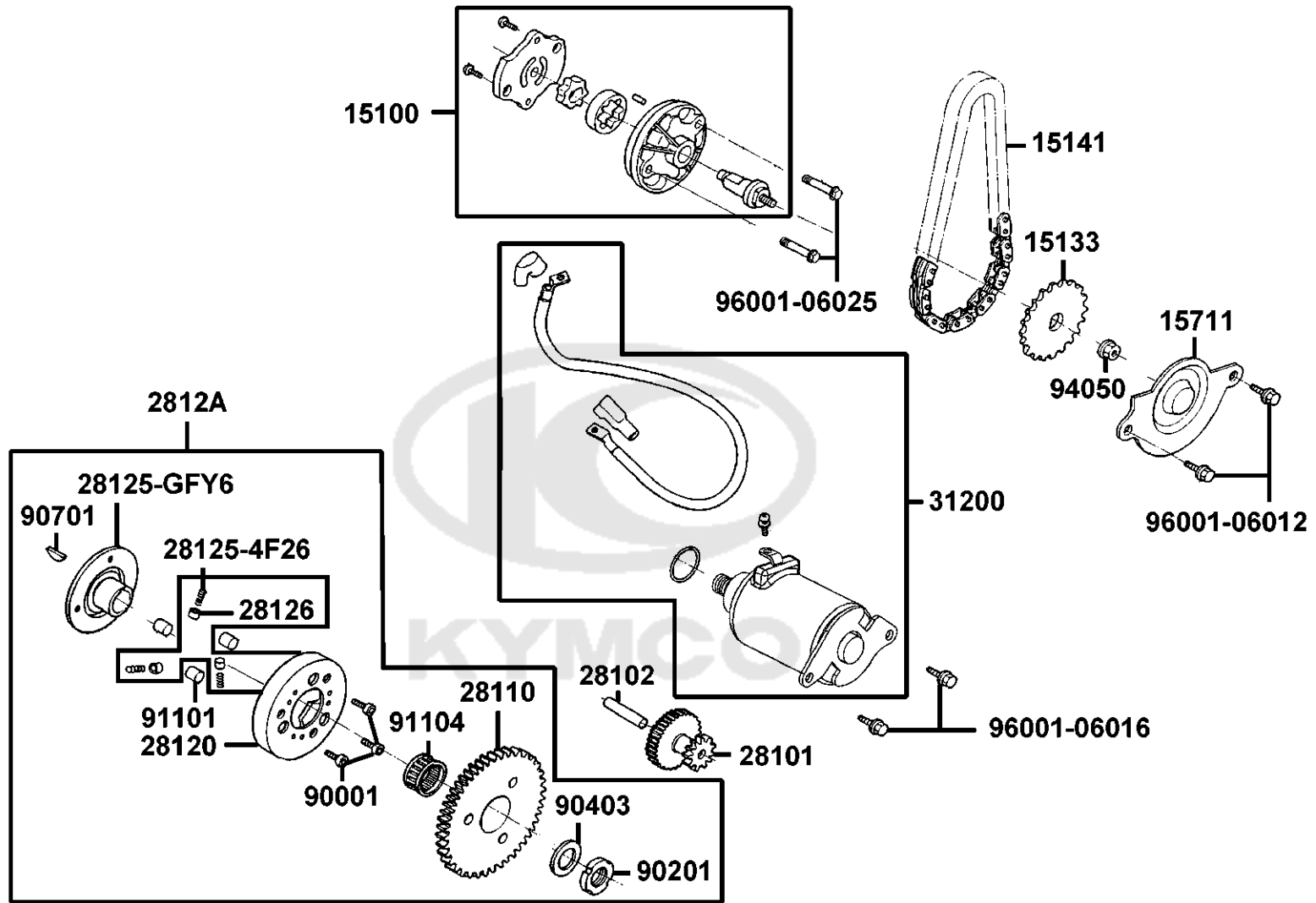
Sales mark	Ref no	Part no	Description	Reg description	Regd no	E06
23237	23237-GFY6-C00	23237-GFY6-C00	COLLAR SEAL	COLLAR SEAL	1	
23238	23238-GFY6-C00	23238-GFY6-C00	COLLAR SPG	COLLAR SPG	1	
28211	28211-KUDU-W10	28211-KUDU-W10	RATCHET KICK STARTER	RATCHET KICK STARTER	1	
90202	90202-1G87-C00	90202-1G87-C00	NUT SPECIAL 28MM	NUT SPECIAL 28MM	1	
90426	90426-KNBN-C00	90426-KNBN-C00	WASHER SPECIAL 12MM	WASHER SPECIAL 12MM	1	
90426	90426-KNBN-C01	90426-KNBN-C01	WASHER SPECIAL 12MM	WASHER SPECIAL 12MM	1	
90441	90441-GFY6-C00	90441-GFY6-C00	WASHER 12.2*29*2.5	WASHER 12.2*29*2.5	1	
91211	91211-KEBE-C00	91211-KEBE-C00	SEAL DRIVEN FACE 34*41*4	SEAL DRIVEN FACE 34*41*4	2	
91351	91351-6B42-C00	91351-6B42-C00	O-RING PINION CAP	O-RING PINION CAP	2	
94050	94050-12080	94050-12080	NUT FLANGE 12MM (C)	NUT FLANGE 12MM (C)	1	





Sales mark	Ref no	Part no	Description	Reg description	Regd no	E07
15100		15100-KFB7-C00	PUMP ASSY OIL	PUMP ASSY OIL	1	
15133		15133-GFY6-W10	SPROCKET OIL PUMP DRIVE	SPROCKET OIL PUMP DRIVE	1	
15141		15141-GFY6-C00	CHAIN OIL PUMP	CHAIN OIL PUMP	1	
15711		15711-KUDU-C00	SEPARATER OIL	SEPARATER OIL	1	
28101		28101-GFY6-C00	GEAR STARTER REDUCTION	GEAR STARTER REDUCTION	1	
28102		28102-GFY6-C00	SHAFT STARTER REDUCTION GEAR	SHAFT STARTER REDUCTION GEAR	1	
28110		28110-GFY6-C10	OUTER ASSY START CLUTCH	OUTER ASSY START CLUTCH	1	
28120		28120-GFY6-C10	GEAR COMP STARTING CLUTCH	GEAR COMP STARTING CLUTCH	1	
28125-4F26		28125-4F26-C00	SPRING ROLLER STARTER CLUTCH	SPRING ROLLER STARTER CLUTCH	3	
28125-GFY6		28125-GFY6-C10	SPRING ROLLER STARTER CLUTCH	SPRING ROLLER STARTER CLUTCH	1	
28126		28126-GFY6-C10	FLANGE STARTING CLUTCH	FLANGE STARTING CLUTCH	3	
2812A		2812A-GFY6-C10	OUTER COMP STARTING CLUTCH	OUTER COMP STARTING CLUTCH	1	
31200		31200-ALJ8-E10	MOTOR ASSY START	MOTOR ASSY START	1	
90001		90001-GFY6-C00	SOCKET BOLT 6*10	SOCKET BOLT 6*10	3	
90201		90201-GFY6-901	NUT LOCK 22MM	NUT LOCK 22MM	1	
90403		90403-KUDU-C00	WASHER THRUST 22.2*39*2.5	WASHER THRUST 22.2*39*2.5	1	
90701		90701-GFY6-C00	PIN DOWEL 5*6	PIN DOWEL 5*6	1	
91101		91101-1K79-C00	ROLLER 10*10	ROLLER 10*10	3	
91104		91104-GFY6-C00	ROLLER 10*10	ROLLER 10*10	1	
94050		94050-06080	NUT FLANGE 6MM	NUT FLANGE 6MM	1	

Starting Motor Oil Pump



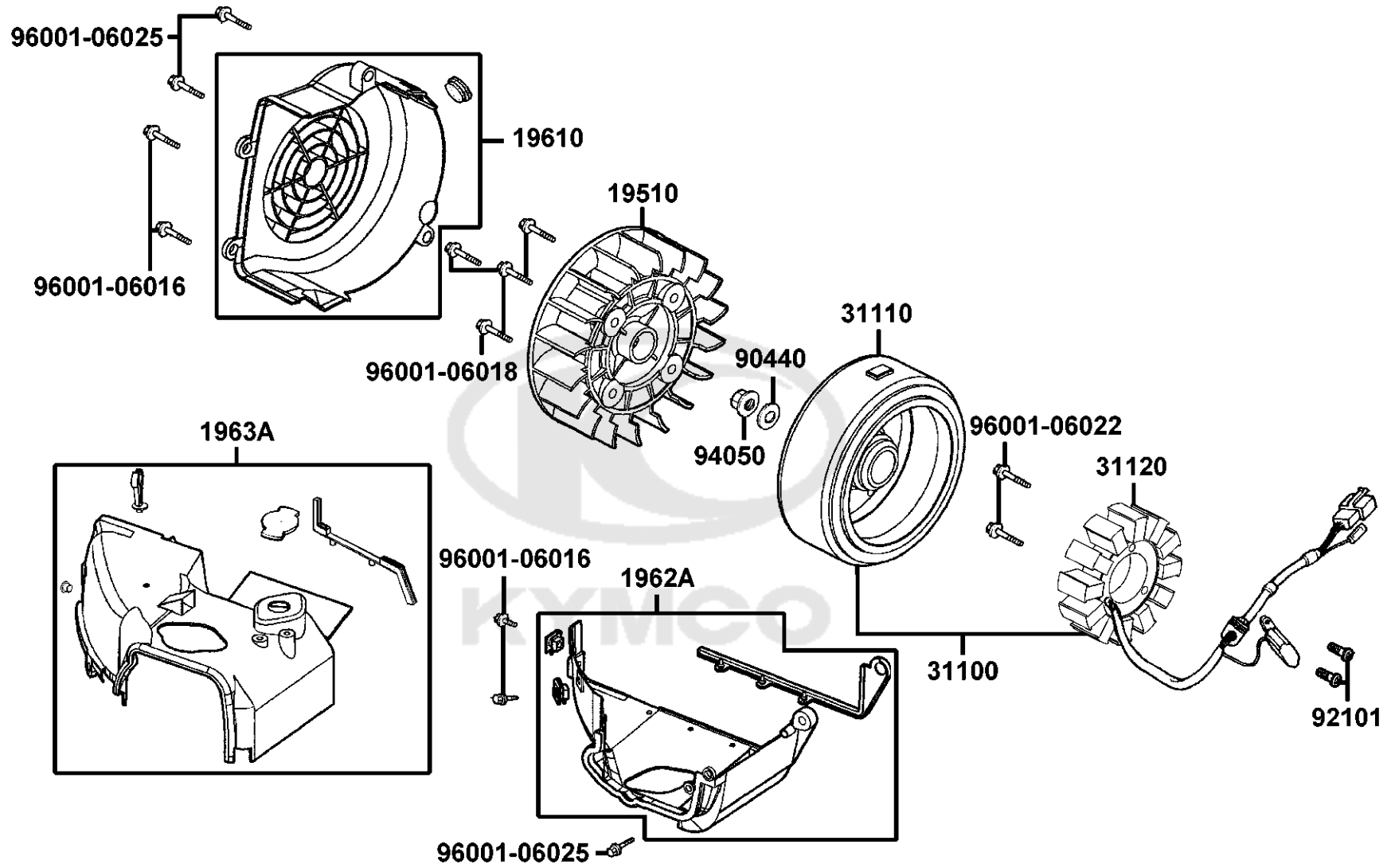
Sales mark	Ref no	Part no	Description	Reg description	Regd no	E07
------------	--------	---------	-------------	-----------------	---------	------------

96001-06012		96001-06012-08	BOLT FLANGE 6*12	BOLT FLANGE 6*12	2	
96001-06012		96001-06012-08G	BOLT FLANGE SH 6*12 (C)	BOLT FLANGE SH 6*12 (C)	2	
96001-06016		96001-06016-08	BOLT FLANGE SH 6*16	BOLT FLANGE SH 6*16	2	
96001-06025		96001-06025-08	BOLT FLANGE SH 6*25 (C)	BOLT FLANGE SH 6*25 (C)	2	

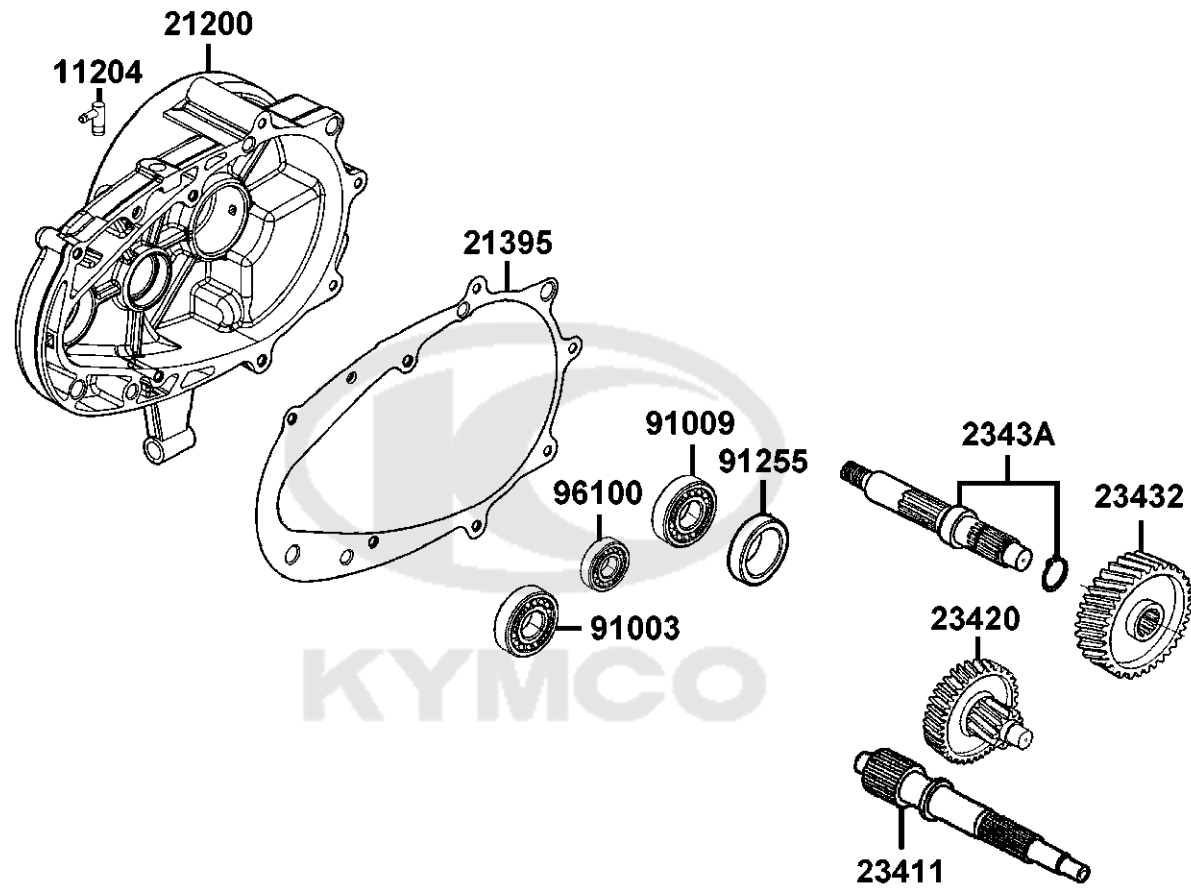


E08

Fan Cover Generator



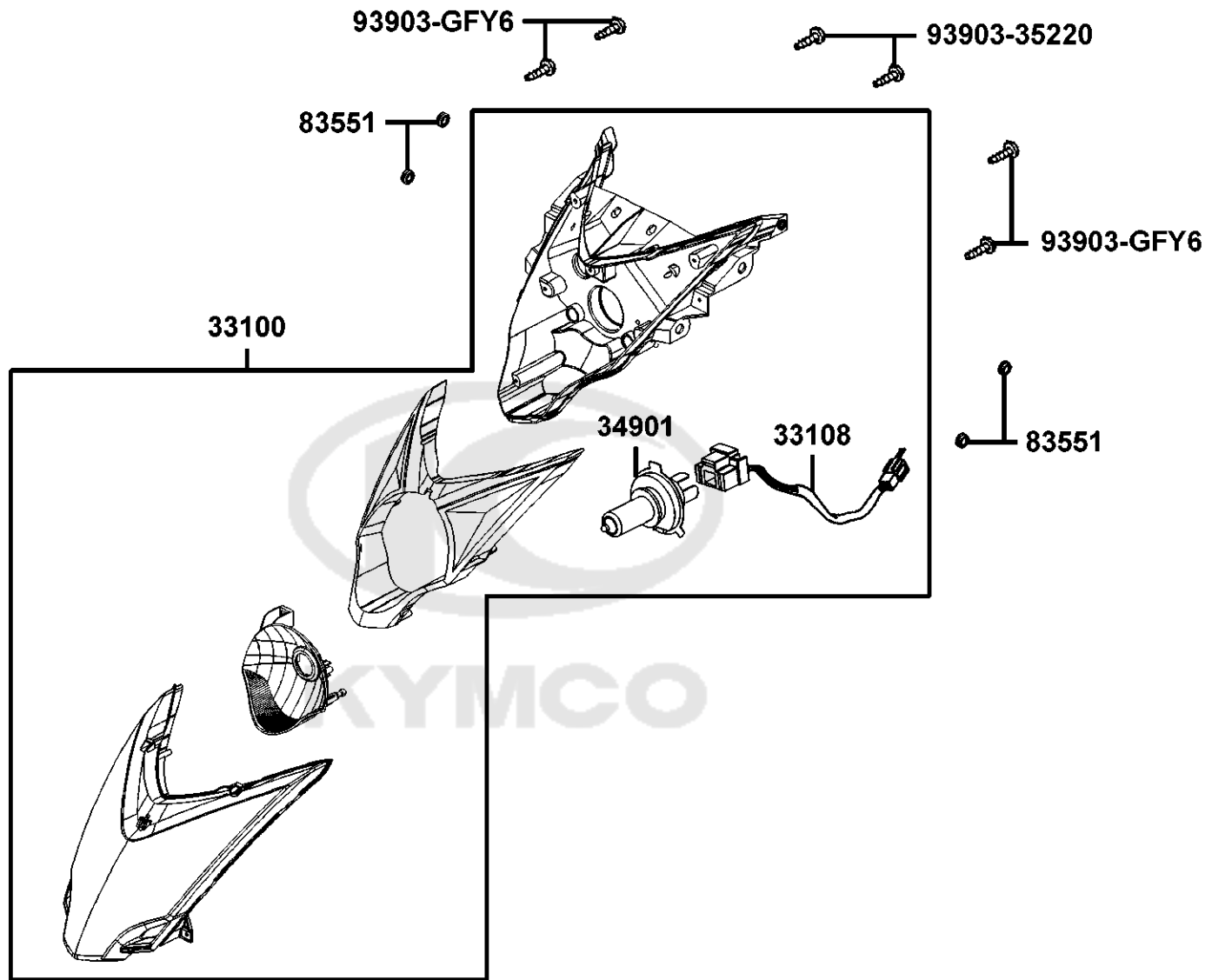
Sales mark	Ref no	Part no	Description	Reg description	Regd no	E08
19510		19510-KFB7-C00	FAN COMP COOLING	FAN COMP COOLING	1	
19610		19610-KUDU-C10	COVER ASSY FAN	COVER ASSY FAN	1	
1962A		1962A-KKE3-C00	SHROUD ASSY A	SHROUD ASSY A	1	
1963A		1963A-LDF7-E10	SHROUD COMP B	SHROUD COMP B	1	
31100		31100-LHA2-M30	AC GEN ASSY	AC GEN ASSY	1	
31110		31110-LHA2-M30	FLYWHEEL COMP	FLYWHEEL COMP	1	
31120		31120-LHA2-M30	STATOR COMP	STATOR COMP	1	
90440		90440-1F66-C00	WASHER PLAIN 12MM	WASHER PLAIN 12MM	1	
92101		92101-05012-0H	BOLT HEX 5*12 (C)	BOLT HEX 5*12 (C)	2	
94050		94050-12080	NUT FLANGE 12MM (C)	NUT FLANGE 12MM (C)	1	
96001-06016		96001-06016-08	BOLT FLANGE SH 6*16	BOLT FLANGE SH 6*16	4	
96001-06018		96001-06018-08	BOLT FLANGE SH 6*18	BOLT FLANGE SH 6*18	4	
96001-06022		96001-06022-08	BOLT FLANGE 6*22	BOLT FLANGE 6*22	2	
96001-06025		96001-06025-08	BOLT FLANGE SH 6*25 (C)	BOLT FLANGE SH 6*25 (C)	3	



Sales mark	Ref no	Part no	Description	Reg description	Regd no	E09
11204		11204-KUDU-C00	PIN ASSY ANCHOR	PIN ASSY ANCHOR	1	
21200		21200-LEJ8-C00	CASE COMP MISSION	CASE COMP MISSION	1	
21395		21395-LCD3-E90	GASKET MISSION CASE@A	GASKET MISSION CASE@A	1	
23411		23411-ALJ8-E10	SHAFT DRIVE	SHAFT DRIVE	1	
23420		23420-ALJ8-E10	SHAFT COMP COUNTER	SHAFT COMP COUNTER	1	
23432		23432-ALJ8-E10	GEAR FINAL	GEAR FINAL	1	
2343A		2343A-ALJ8-E10	SHAFT FINAL	SHAFT FINAL	1	
91003		91003-KDS4-C00	BRG BALL RADIAL 6301TMB	BRG BALL RADIAL 6301TMB	1	
91009		91009-GLE0-C00	BRG BALL RADIAL 6004 UU	BRG BALL RADIAL 6004 UU	1	
91255		91255-LDC8-E10	OIL SEAL 27*42*7 (C)	OIL SEAL 27*42*7 (C)	1	
96100		96100-60020-00	BEARING BALL RADIAL 6002	BEARING BALL RADIAL 6002	1	

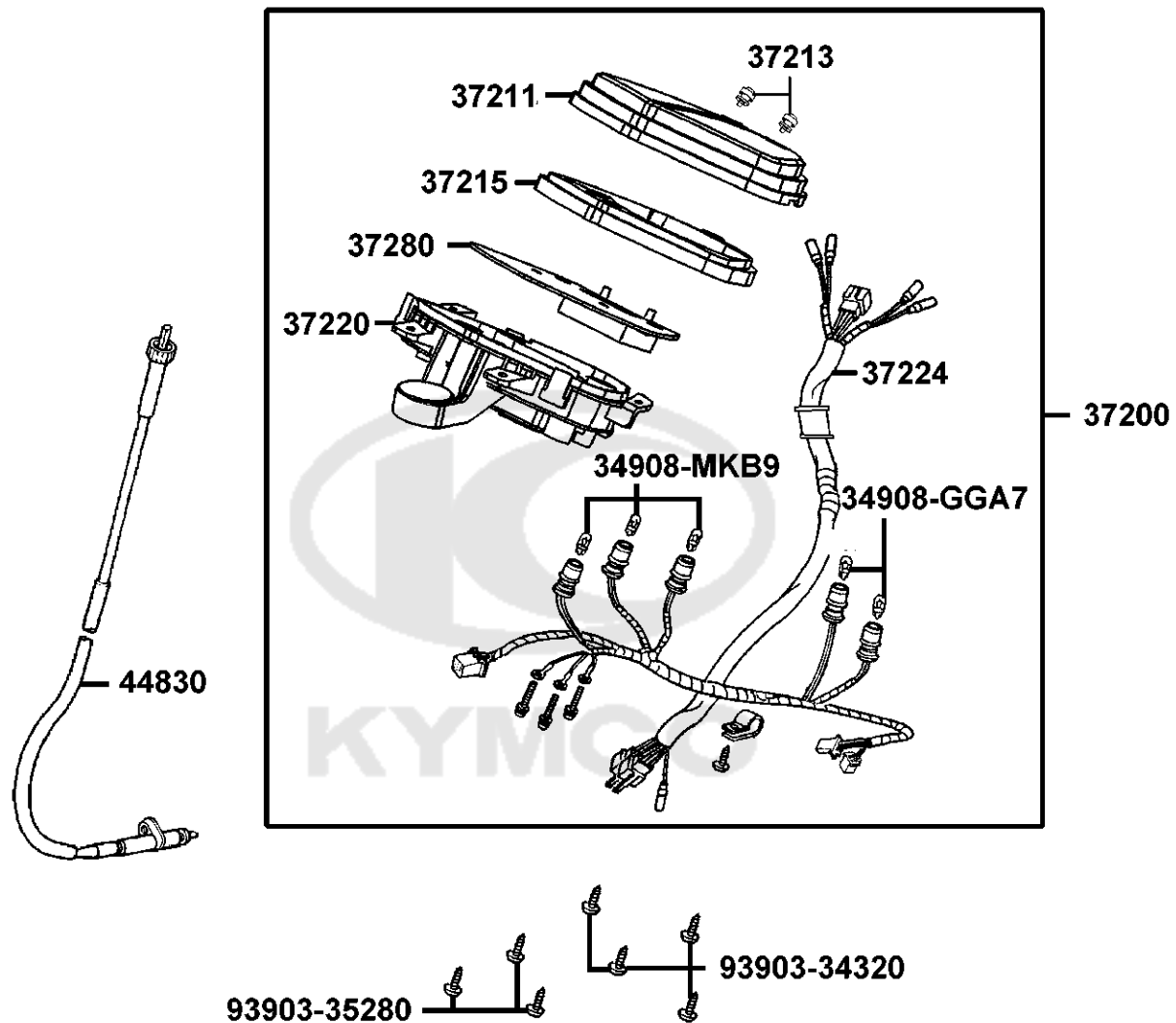
F01

Head Light



Sales mark	Ref no	Part no	Description	Reg description	Regd no	F01
	33100	33100-ALJ8-E10	LIGHT ASSY HEAD	LIGHT ASSY HEAD	1	
	33108	33108-ALJ8-E10	SOCKET COMP HEAD LIGHT	SOCKET COMP HEAD LIGHT	1	
	34901	34901-LDC8-E10	BULB HEAD LIGHT	BULB HEAD LIGHT	1	
	83551	83551-KEC8-C10	GROMMET COVER	GROMMET COVER	4	
	93903-35220	93903-35220	SCREW TAPPING 5*12	SCREW TAPPING 5*12	2	
	93903-GFY6	93903-GFY6-C00	SCREW TAPPING 4*14	SCREW TAPPING 4*14	4	
	93903-GFY6	93903-GFY6-C01	SCREW TAPPING 4*14(K)	SCREW TAPPING 4*14(K)	4	

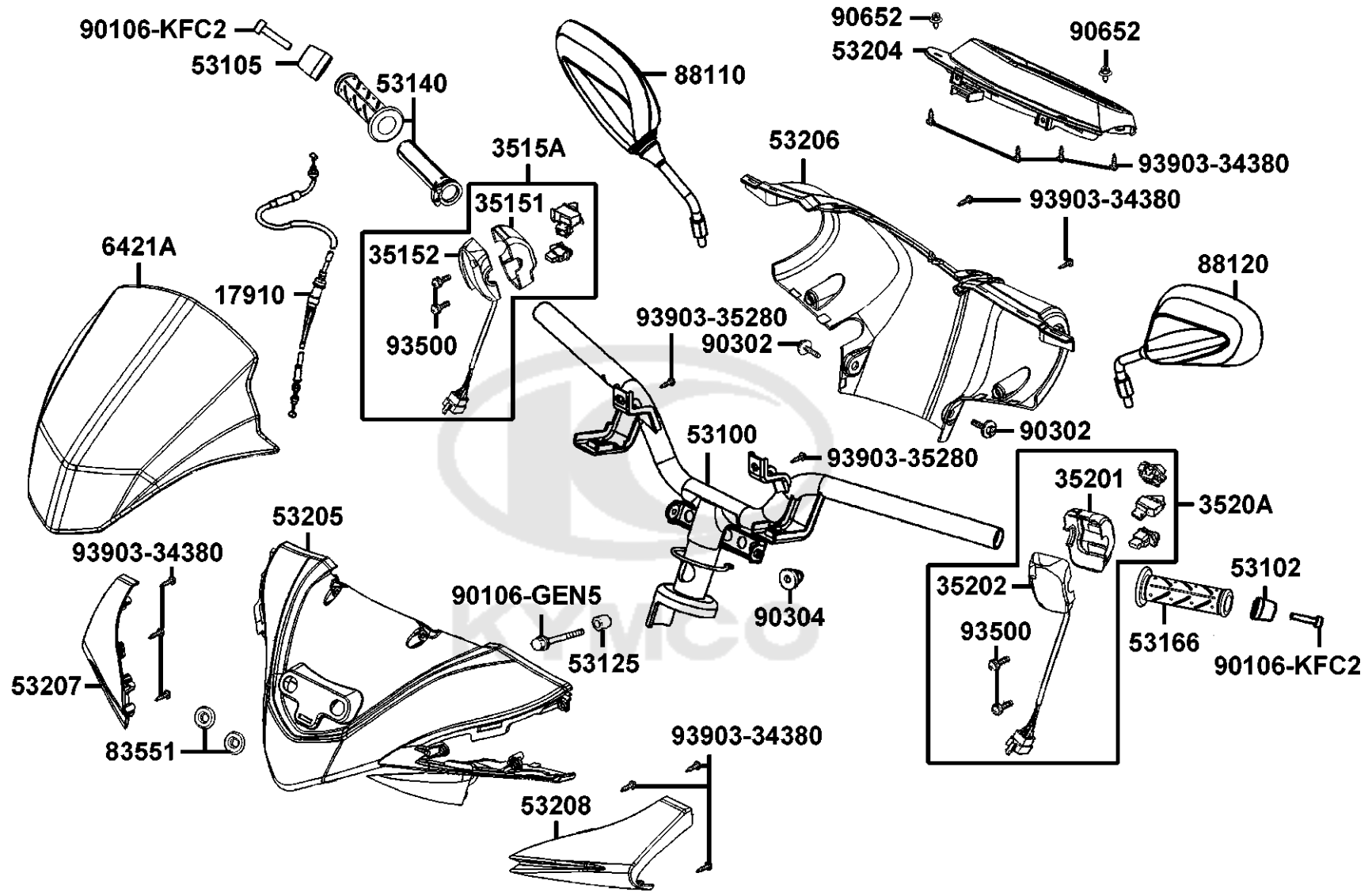




Sales mark	Ref no	Part no	Description	Reg description	Regd no	F02
	34908-GGA7	34908-GGA7-C00	"BULB,WEDGE BASE T10"	"BULB,WEDGE BASE T10"	2	
	34908-MKB9	34908-MKB9-C00	BULB WEDGE BASE T10	BULB WEDGE BASE T10	3	
	37200	37200-ALJ9-E10	METER ASSY. SPEED	METER ASSY. SPEED	1	
	37211	37211-LFC2-E1A	LENS COMP METER	LENS COMP METER	1	
	37213	37213-LFC2-E1A	BUTTON ADJUST	BUTTON ADJUST	2	
	37215	37215-LFC2-E1A	PLATE COSMETIC	PLATE COSMETIC	1	
	37220	37220-ALJ9-E10	CASE ASSY	CASE ASSY	1	
	37224	37224-ALJ9-E10	SOCKER COMP METER	SOCKER COMP METER	1	
	37280	37280-ALJ9-E10	LCD ASSY CLOCK	LCD ASSY CLOCK	1	
	44830	44830-LCD3-C00	CABLE COMP SPDMT	CABLE COMP SPDMT	1	
	93903-34320	93903-34320	SCREW TAPPING 5*16 (C)	SCREW TAPPING 5*16 (C)	4	
	93903-35280	93903-35280	SCREW TAPPING 5*12 (K)	SCREW TAPPING 5*12 (K)	3	

F03

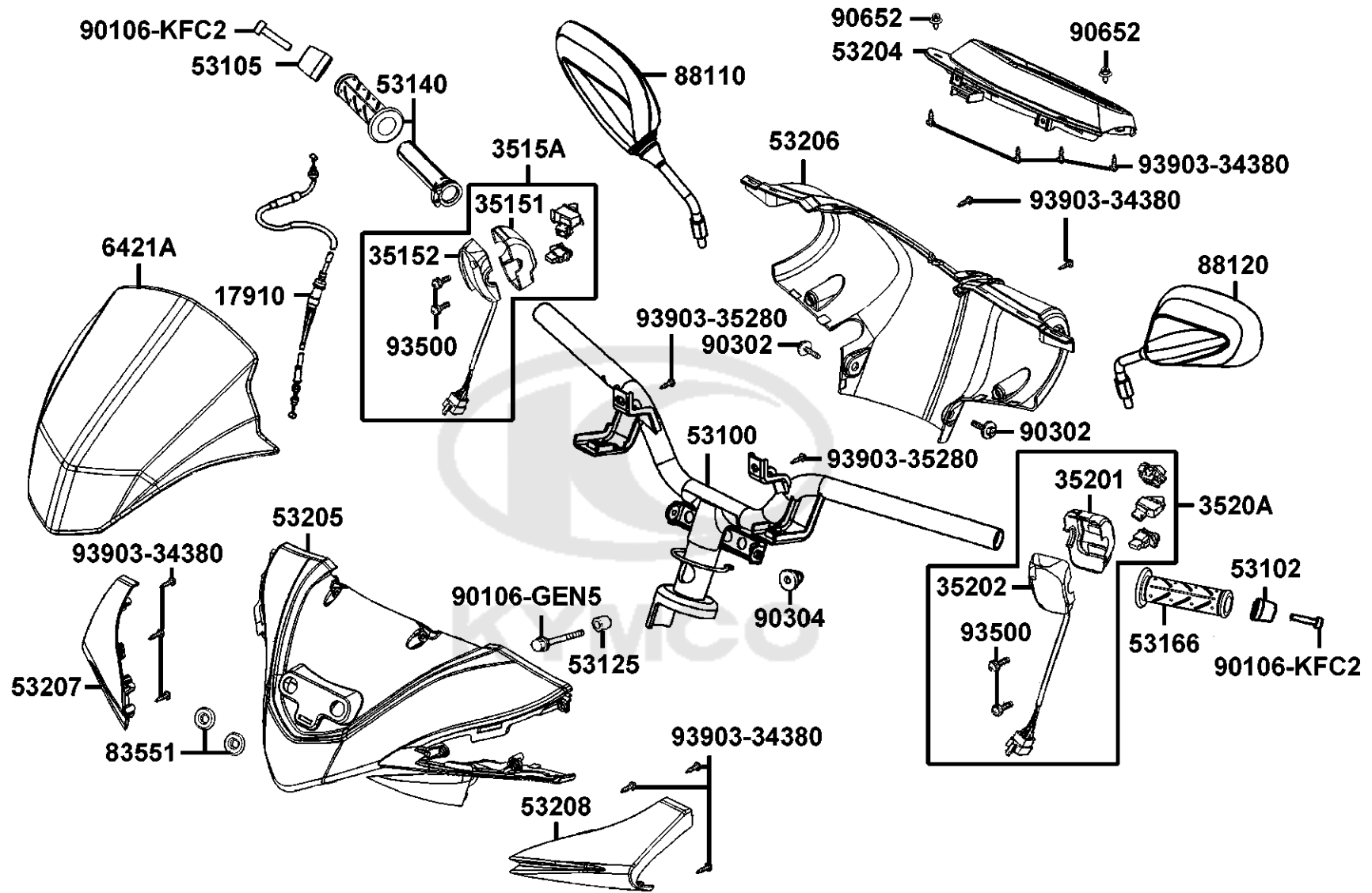
Handle Steering Handle Cover



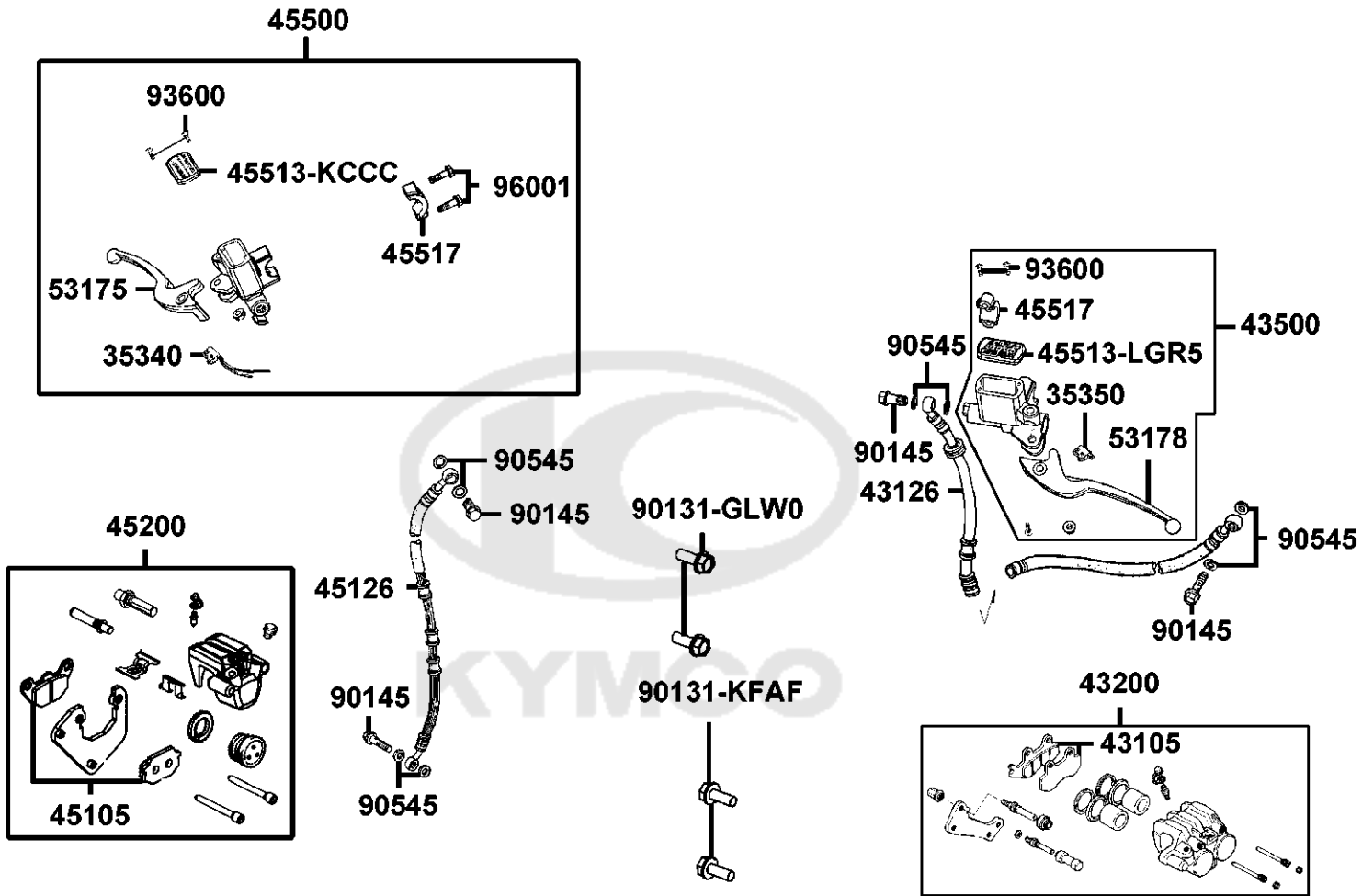
Sales mark	Ref no	Part no	Description	Reg description	Regd no	F03
	17910	17910-KHD8-C01	"CABLE COMP.,THROT"	"CABLE COMP.,THROT"	1	
	35151	35151-LGB5-E10	FR CASE RH HNDL COMP SW	FR CASE RH HNDL COMP SW	1	
	35152	35152-KGBG-C00	RR CASE RH HNDL COMP SW	RR CASE RH HNDL COMP SW	1	
	3515A	3515A-LGB5-E10	SW ASSY RH HANDLE COMP	SW ASSY RH HANDLE COMP	1	
	3515A	3515A-LGB5-EV0	SW ASSY R HANDLE COMP	SW ASSY R HANDLE COMP	1	
	35201	35201-LGB5-E10	FR CASE LH HNDL COMP SW	FR CASE LH HNDL COMP SW	1	
	35202	35202-KGBG-C00	RR CASE LH HNDL SW COMP	RR CASE LH HNDL SW COMP	1	
	3520A	3520A-LGB5-E11	SW ASSY LH HANDLE COMP	SW ASSY LH HANDLE COMP	1	
	53100	53100-LFC3-E10	"HANDLE COMP.,STRG"	"HANDLE COMP.,STRG"	1	
	53102	53102-ALJ8-E10	"END,L HANDLE"	"END,L HANDLE"	1	
	53105	53105-ALJ8-E10	"END,R HANDLE"	"END,R HANDLE"	1	
	53125	53125-GEN5-C00	COLLAR HANDLE SET	COLLAR HANDLE SET	1	
	53140	53140-ALJ8-E10	GRIP COMP THROT	GRIP COMP THROT	1	
	53166	53166-ALJ8-E10	GRIP L HANDLE	GRIP L HANDLE	1	
**	53204	53204-ALJ8-E10	FR HANDLE COVER	FR HANDLE COVER	1	
**	53205	53205-ALJ8-E10	COVER HANDLE FRONT	COVER HANDLE FRONT	1	
**	53206	53206-ALJ8-E10	COVER RR HANDLE	COVER RR HANDLE	1	
**	53207	53207-ALJ8-E10	PROTECTOR R HANDLE	PROTECTOR R HANDLE	1	
**	53208	53208-ALJ8-E10	PROTECTOR L HANDLE	PROTECTOR L HANDLE	1	
**	6421A	6421A-ALJ8-E11	ASSY METER VISOR	ASSY METER VISOR	1	

F03

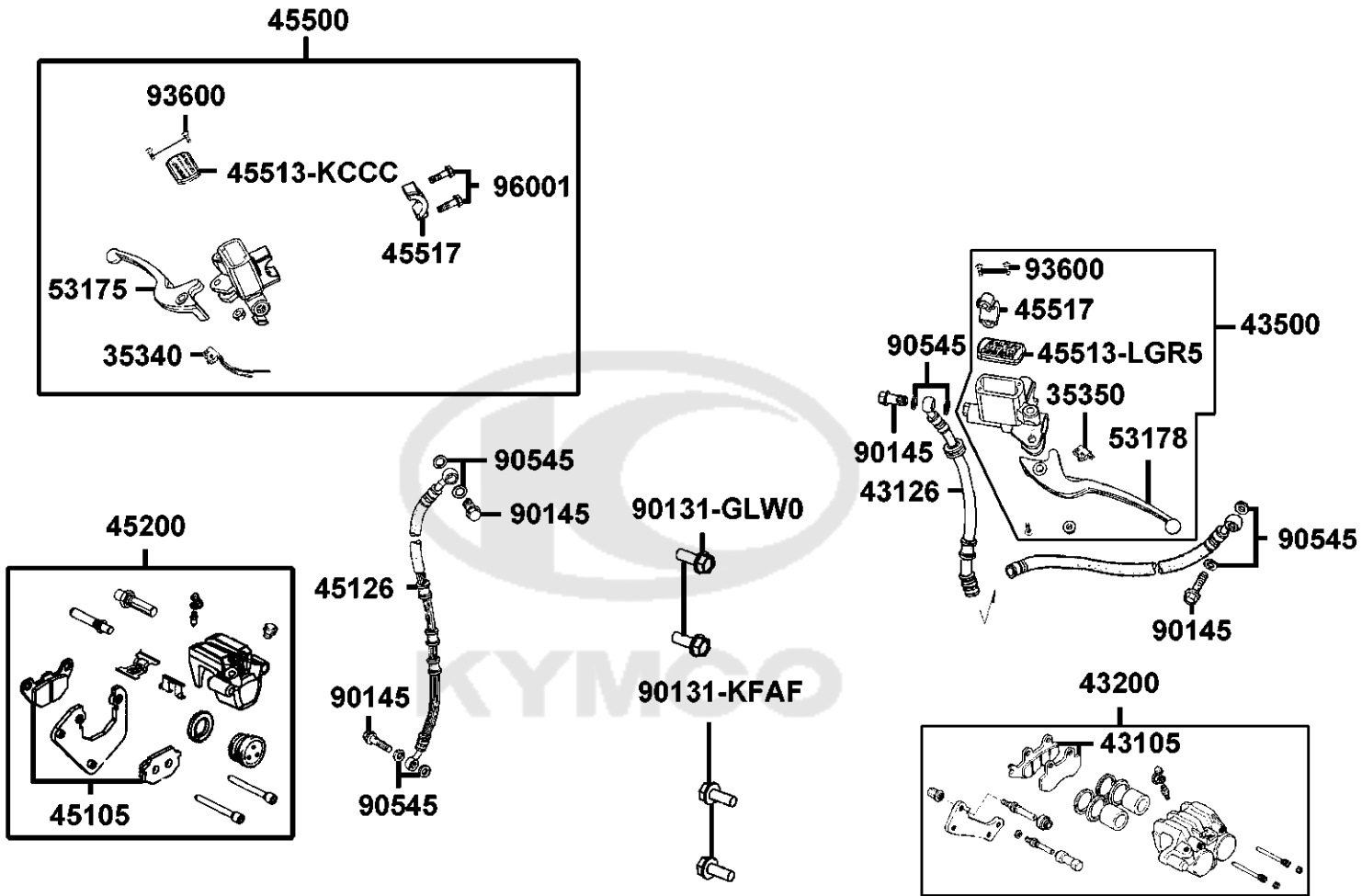
Handle Steering Handle Cover



Sales mark	Ref no	Part no	Description	Reg description	Regd no	F03
	83551	83551-KKAK-C00	GROMMET AIR CLEANER CASE	GROMMET AIR CLEANER CASE	2	
**	88110	88110-LEB5-C11	MIRROR ASSY R BACK	MIRROR ASSY R BACK	1	
**	88120	88120-LEB5-C11	MIRROR ASSY L BACK	MIRROR ASSY L BACK	1	
	90106-GEN5	90106-GEN5-901	BOLT FLANGE 10*50	BOLT FLANGE 10*50	1	
	90106-KFC2	90106-KFC2-900	"BOLT-WASH.,8MM"	"BOLT-WASH.,8MM"	2	
	90302	90302-LLB1-C00	BOLT-WASH 5*12	BOLT-WASH 5*12	2	
	90302	90302-LLB1-C01	BOLT-WASH 5*12	BOLT-WASH 5*12	2	
	90304	90304-GHE8-C00	NUT U 10MM (C)	NUT U 10MM (C)	1	
	90652	90652-LCA4-C10	CLIP MUDGUARD	CLIP MUDGUARD	2	
	93500	93500-05025	SCREW PAN 5*25	SCREW PAN 5*25	2	
	93903-34380	93903-34380	SCREW TAPPING 4*12 (K)	SCREW TAPPING 4*12 (K)	12	
	93903-35280	93903-35280	SCREW TAPPING 5*12 (K)	SCREW TAPPING 5*12 (K)	2	



Sales mark	Ref no	Part no	Description	Reg description	Regd no	F04
	35340	35340-KNBN-901	SW ASSY FR STOP	SW ASSY FR STOP	1	
	35350	35350-KNBN-901	SW ASSY RR STOP	SW ASSY RR STOP	1	
	43105	43105-LFC4-305	PAD COMP A AND B	PAD COMP A AND B	1	
	43126	43126-ALJ8-E10	HOSE ASSY RR BRAKE	HOSE ASSY RR BRAKE	1	
**	43200	43200-LFC4-E80	CALIPER ASSY RR	CALIPER ASSY RR	1	
	43500	43500-ALJ8-E10	M/C ASY FR BRK	M/C ASY FR BRK	1	
	45105	45105-LFC2-305	PAD COMP A+B	PAD COMP A+B	1	
	45126	45126-LFC2-E10	HOSE ASSY FR BRK	HOSE ASSY FR BRK	1	
	45200	45200-LFC2-E80	CALIPER ASSY FR BRK	CALIPER ASSY FR BRK	1	
	45500	45500-ALJ8-E10	M/C ASSY FR	M/C ASSY FR	1	
	45513-KCCC	45513-KCCC-900	CAP M/C	CAP M/C	1	
	45513-LGR5	45513-LGR5-E10	CAP M/C	CAP M/C	1	
	45517	45517-KFAF-910	HOLDER M/C	HOLDER M/C	1	
	53175	53175-KTCT-C01	LEVER R STRG HNDL	LEVER R STRG HNDL	1	
**	53178	53178-KNBN-C00	LEVER L STRG HANDLE	LEVER L STRG HANDLE	1	
	90131-GLW0	90131-GLW0-C01	BOLT FLANGE 8*35	BOLT FLANGE 8*35	2	
	90131-KFAF	90131-KFAF-C01	BOLT FLANGE 8*42	BOLT FLANGE 8*42	2	
	90145	90145-9A61-C00	OIL BOLT 10*22	OIL BOLT 10*22	1	
	90545	90545-3L00-C00	WASHER OIL BOLT	WASHER OIL BOLT	1	
	93600	93600-04012-1G	SCREW FLAT 4*12 (K)	SCREW FLAT 4*12 (K)	1	



Sales mark	Ref no	Part no	Description	Reg description	Regd no	F04
------------	--------	---------	-------------	-----------------	---------	------------

96001

96001-06025-00

BOLT FLANGE SH 6*25

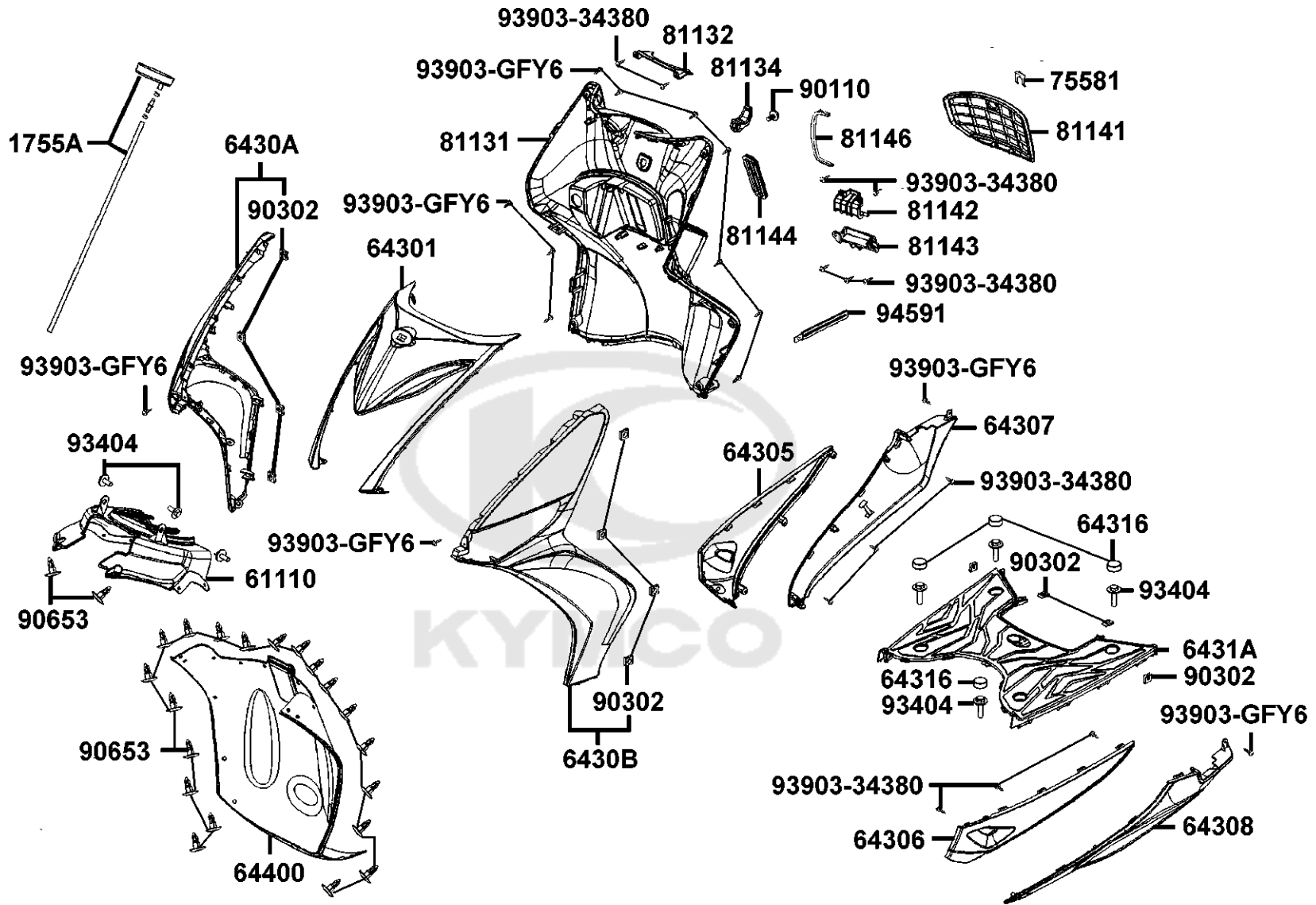
BOLT FLANGE SH 6*25

1



F05

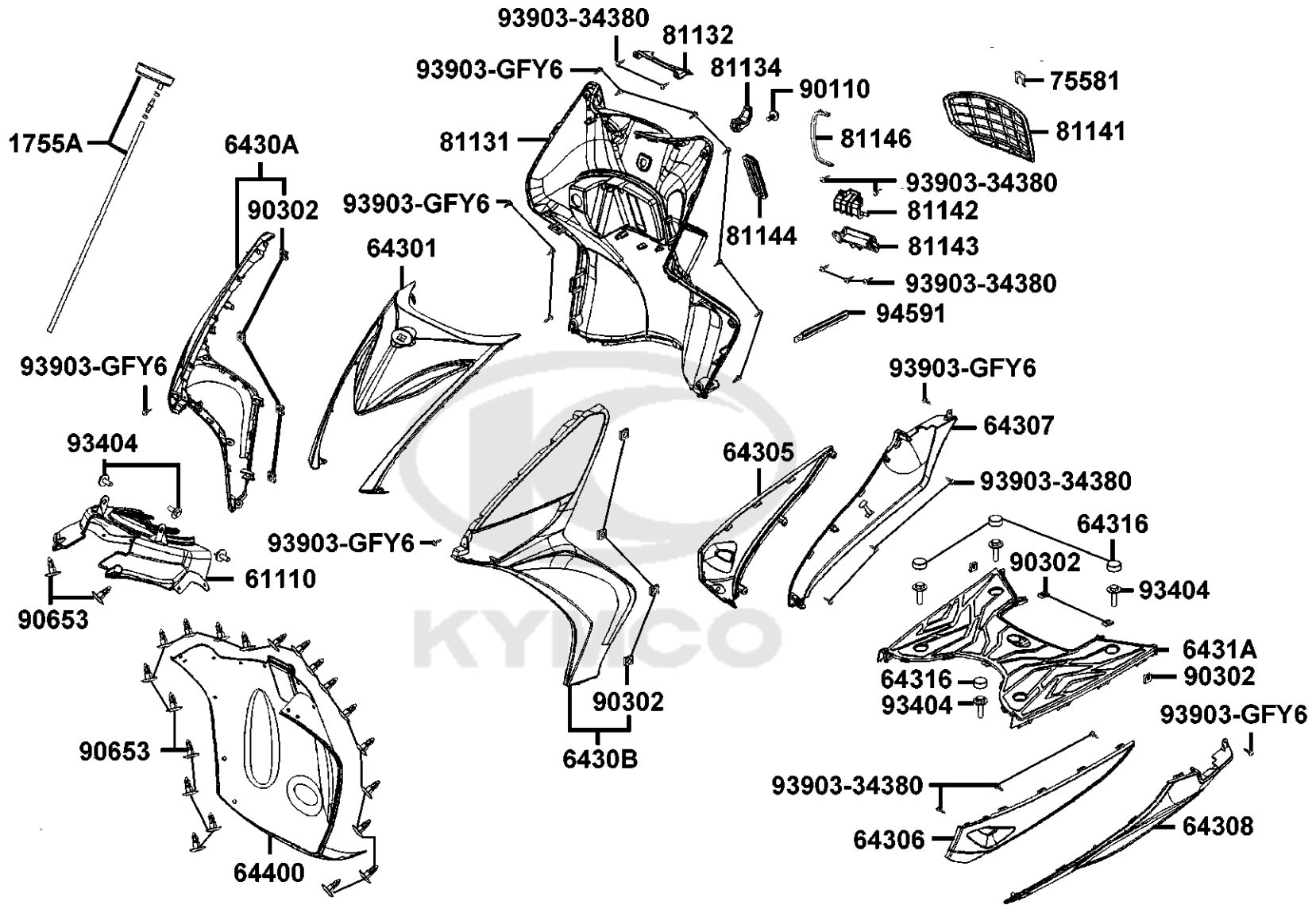
Front Cover Front Fender



Sales mark	Ref no	Part no	Description	Reg description	Regd no	F05
	1755A	1755A-ALJ8-E10	TRAY ASSY FUEL CAP	TRAY ASSY FUEL CAP	1	
**	61110	61110-ALJ8-E10	FENDER FR INNER	FENDER FR INNER	1	
**	64301	64301-ALJ8-E10	COVER FR	COVER FR	1	
**	64305	64305-ALJ8-E10	SKIRT R SIDE	SKIRT R SIDE	1	
**	64306	64306-ALJ8-E10	SKIRT L SIDE	SKIRT L SIDE	1	
**	64307	64307-ALJ8-E10	COVER R SIDE SKIRT	COVER R SIDE SKIRT	1	
**	64308	64308-ALJ8-E10	COVER L SIDE SKIRT	COVER L SIDE SKIRT	1	
**	6430A	6430A-ALJ8-E10	MOLD R FRONT ASSY	MOLD R FRONT ASSY	1	
**	6430B	6430B-ALJ8-E10	MOLDING FRONT COMP	MOLDING FRONT COMP	1	
**	64316	64316-LCB9-C10	PLUG FLOOR	PLUG FLOOR	1	
**	6431A	6431A-ALJ8-E10	FLOOR ASSY PANEL	FLOOR ASSY PANEL	1	
**	64400	64400-ALJ8-E10	COWL ASSY UNDER	COWL ASSY UNDER	1	
	75581	75581-6C73-C00	SET SPG LOCK KET(43°C)	SET SPG LOCK KET(43°C)	1	
**	81131	81131-ALJ8-E10	LEG SHIELD UP	LEG SHIELD UP	1	
**	81132	81132-ALJ8-E10	CAP LEG SHIELD UP	CAP LEG SHIELD UP	1	
	81134	81134-KGBG-C00	HOOK LUGGAGE	HOOK LUGGAGE	1	
**	81141	81141-ALJ8-E10	LID INNER BOX	LID INNER BOX	1	
**	81142	81142-ALJ8-E10	HING LID INNER BOX	HING LID INNER BOX	1	
**	81143	81143-ALJ8-E10	COVER INNER BOX HING	COVER INNER BOX HING	1	
	81144	81144-ALJ8-E10	LID LEG SHIELD	LID LEG SHIELD	1	

F05

Front Cover Front Fender

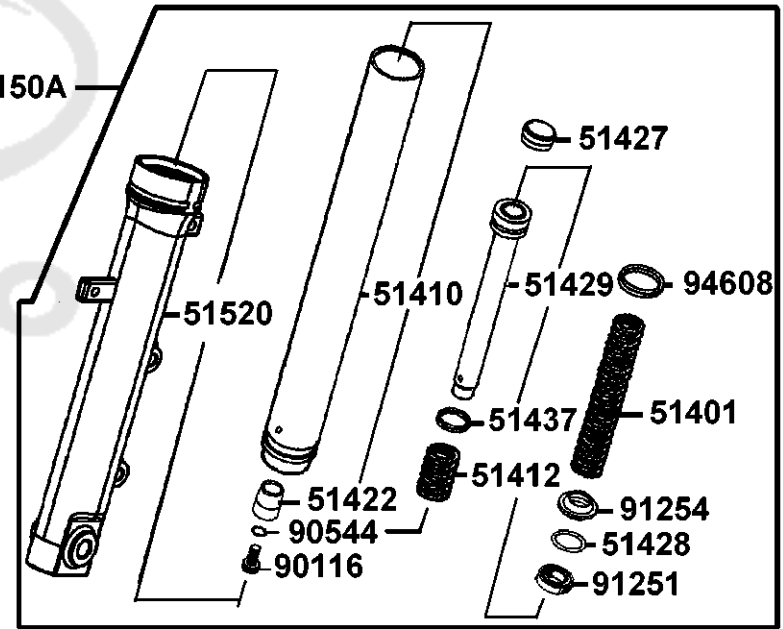
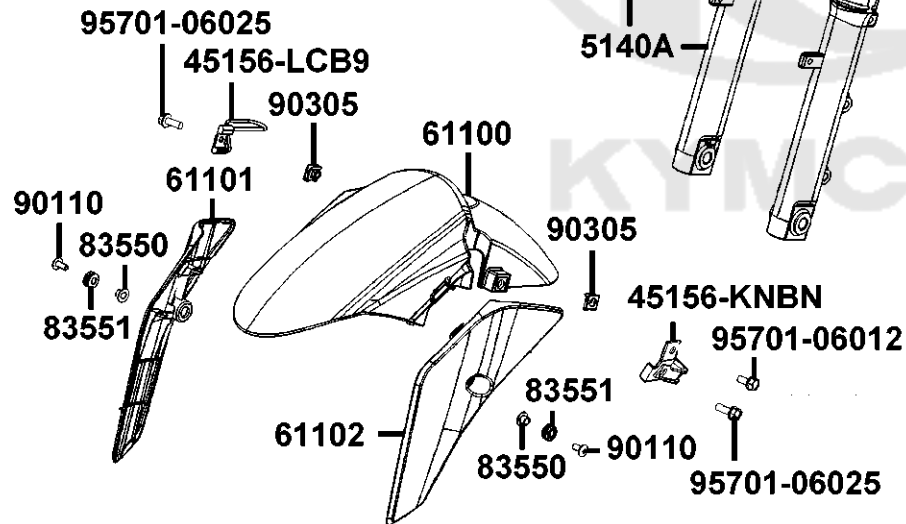
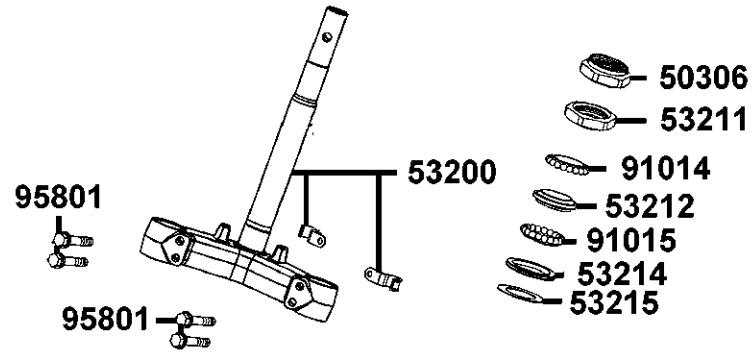
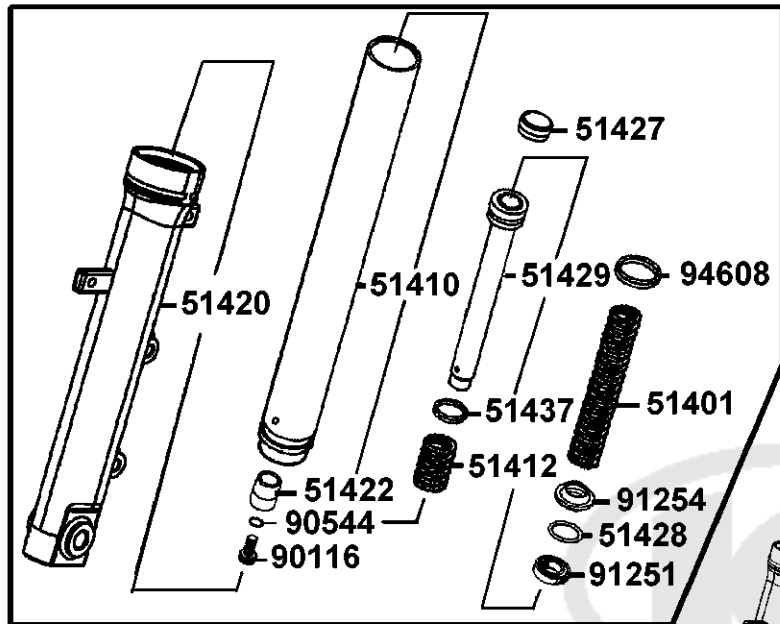


Sales mark	Ref no	Part no	Description	Reg description	Regd no	F05
81146		81146-ALJ8-E10	SEAL RUBBER A	SEAL RUBBER A	1	
90110		90110-GLW0-C00	SCREW SPECIAL 6*14(CR)	SCREW SPECIAL 6*14(CR)	1	
90302		90302-SDA4-C00	NUT SPRING 4MM	NUT SPRING 4MM	30	
90302		90302-SDA4-C01	NUT SPRING 4MM	NUT SPRING 4MM	30	
90653		90653-LKB9-900	"CLIP,MUDGUARD"	"CLIP,MUDGUARD"	22	
93404		93404-06020-07	BOLT WASH 6*20 (K)	BOLT WASH 6*20 (K)	4	
93903-34380		93903-34380	SCREW TAPPING 4*12 (K)	SCREW TAPPING 4*12 (K)	13	
93903-GFY6		93903-GFY6-C00	SCREW TAPPING 4*14	SCREW TAPPING 4*14	14	
93903-GFY6		93903-GFY6-C01	SCREW TAPPING 4*14(K)	SCREW TAPPING 4*14(K)	14	
94591		94591-LGR5-E10	CLIP 1*100	CLIP 1*100	1	



F06

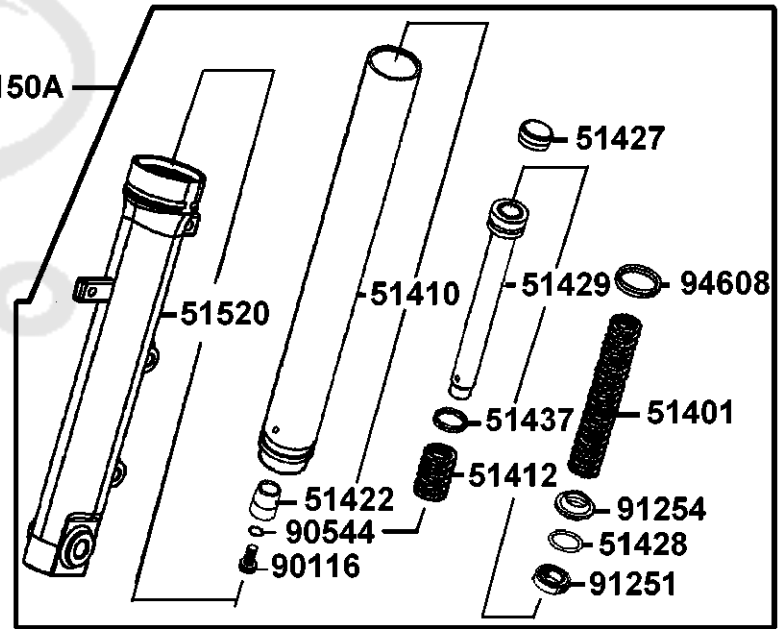
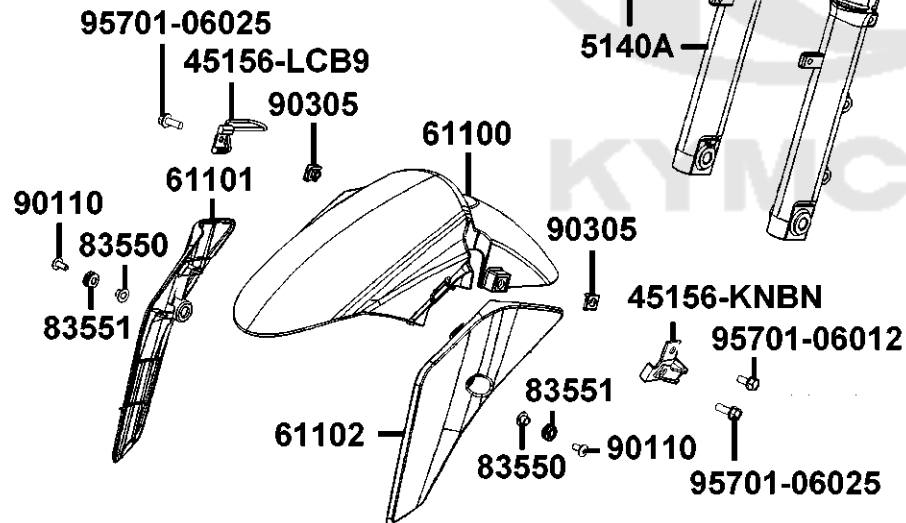
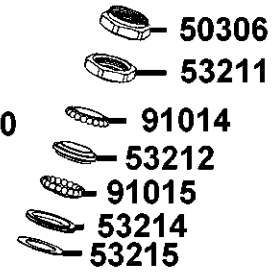
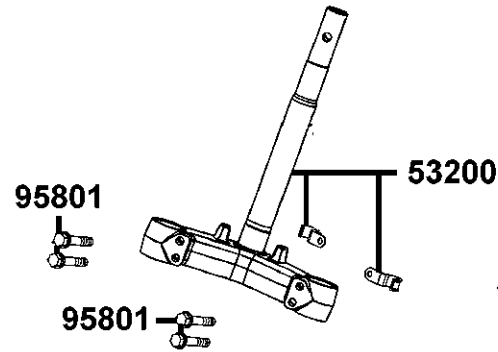
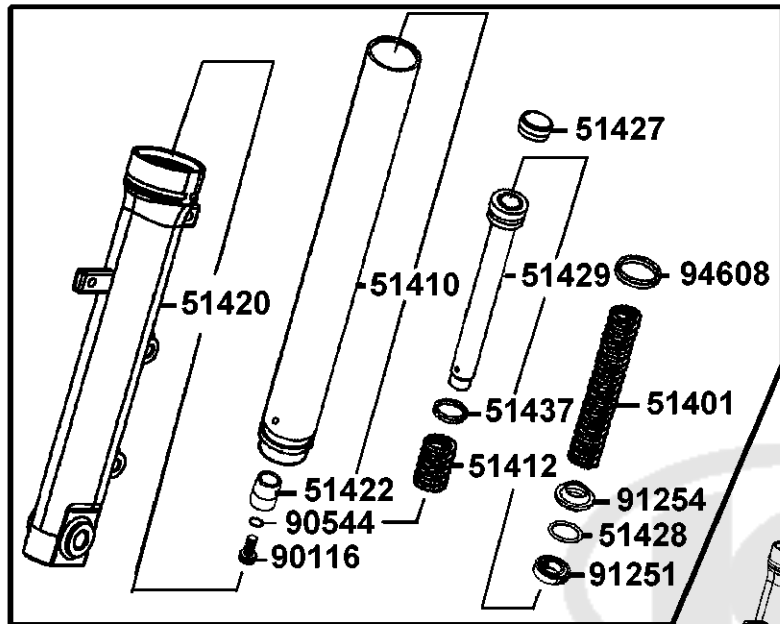
Stem Steering Front Cushion



Sales mark	Ref no	Part no	Description	Reg description	Regd no	F06
	45156-KNBN	45156-KNBN-C00	CLAMPER FR BRAKE HOSE	CLAMPER FR BRAKE HOSE	2	
	45156-LCB9	45156-LCB9-B21	CLAMPER FR. BRK. HOSE	CLAMPER FR. BRK. HOSE	2	
	50306	50306-1F96-C00	NUT STRG STEM LOCK	NUT STRG STEM LOCK	1	
	51401	51401-LFC3-E10	SPRING	SPRING	2	
**	5140A	5140A-ALJ8-E10	FORK SET R FR	FORK SET R FR	1	
	51410	51410-LEJ2-E10	FORK PIPE COMP	FORK PIPE COMP	1	
	51412	51412-LEJ2-E10	REBOUND SPRING	REBOUND SPRING	1	
	51420	51420-LFC2-E10	BOTTOM CASE RH	BOTTOM CASE RH	1	
	51422	51422-LEJ2-E10	OIL LOCK PIECE	OIL LOCK PIECE	1	
	51427	51427-LEJ2-E10	FORK BOLT	FORK BOLT	1	
	51428	51428-LEJ2-E10	OIL SEAL STOPPER	OIL SEAL STOPPER	1	
	51429	51429-LFC3-E10	PIPE SEAT	PIPE SEAT	1	
	51437	51437-LEJ2-E10	PISTON RING	PISTON RING	1	
**	5150A	5150A-ALJ8-E10	FORK SET L FR	FORK SET L FR	1	
	51520	51520-LEJ2-E10	BOTTOM CASE L	BOTTOM CASE L	1	
	53200	53200-LEJ2-E10	STEM COMP STRG	STEM COMP STRG	1	
	53211	53211-GFY6-C00	RACE STRG TOP CONE	RACE STRG TOP CONE	1	
	53212	53212-2L50-C00	RACE (STRG BOTTOM) CONE	RACE (STRG BOTTOM) CONE	1	
	53214	53214-2L50-C00	DUST SEAL STRG (HEAD)	DUST SEAL STRG (HEAD)	1	
	53215	53215-2L50-C00	WASH STRG HDL DUST-SEAL	WASH STRG HDL DUST-SEAL	1	

F06

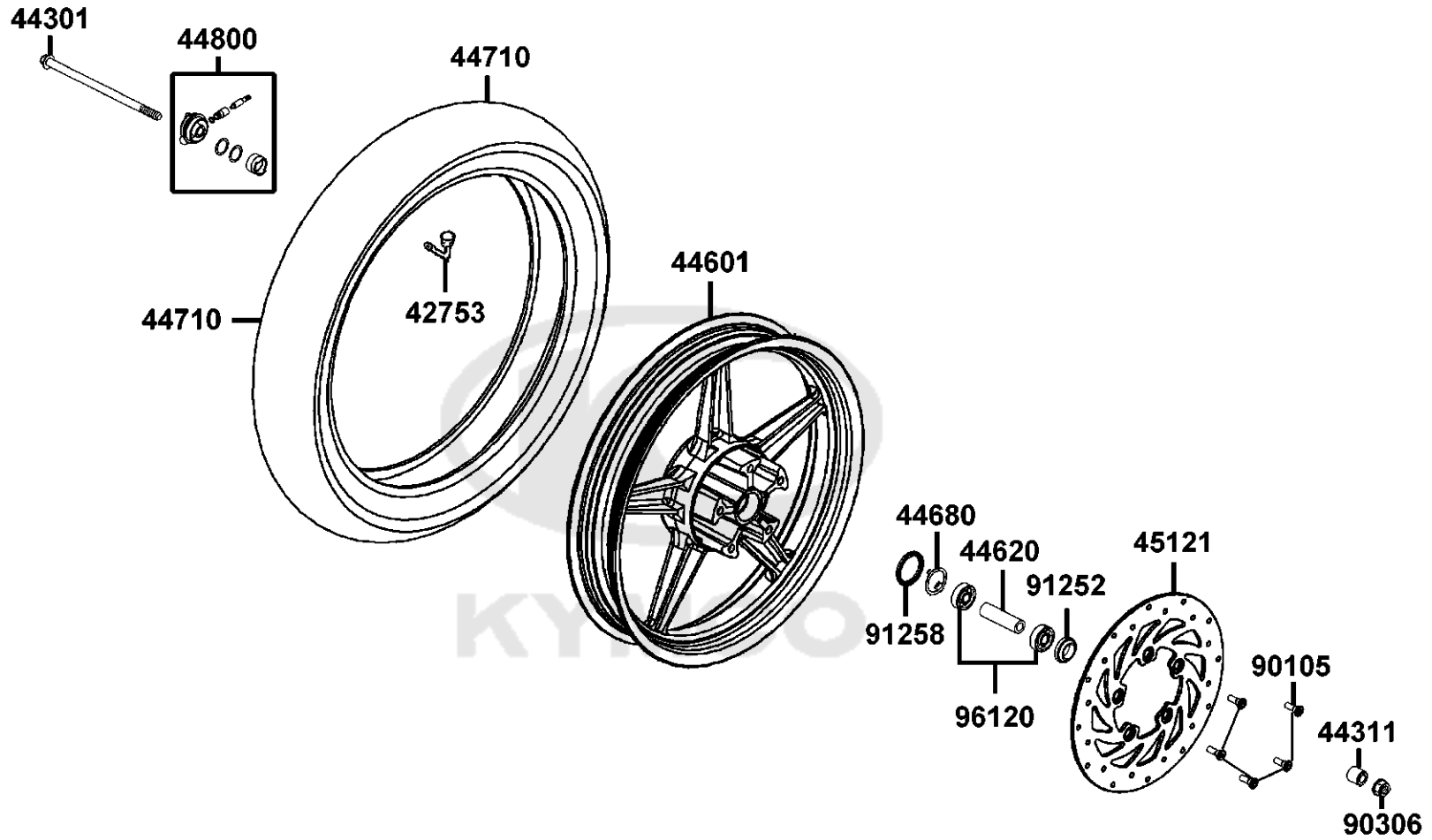
Stem Steering Front Cushion



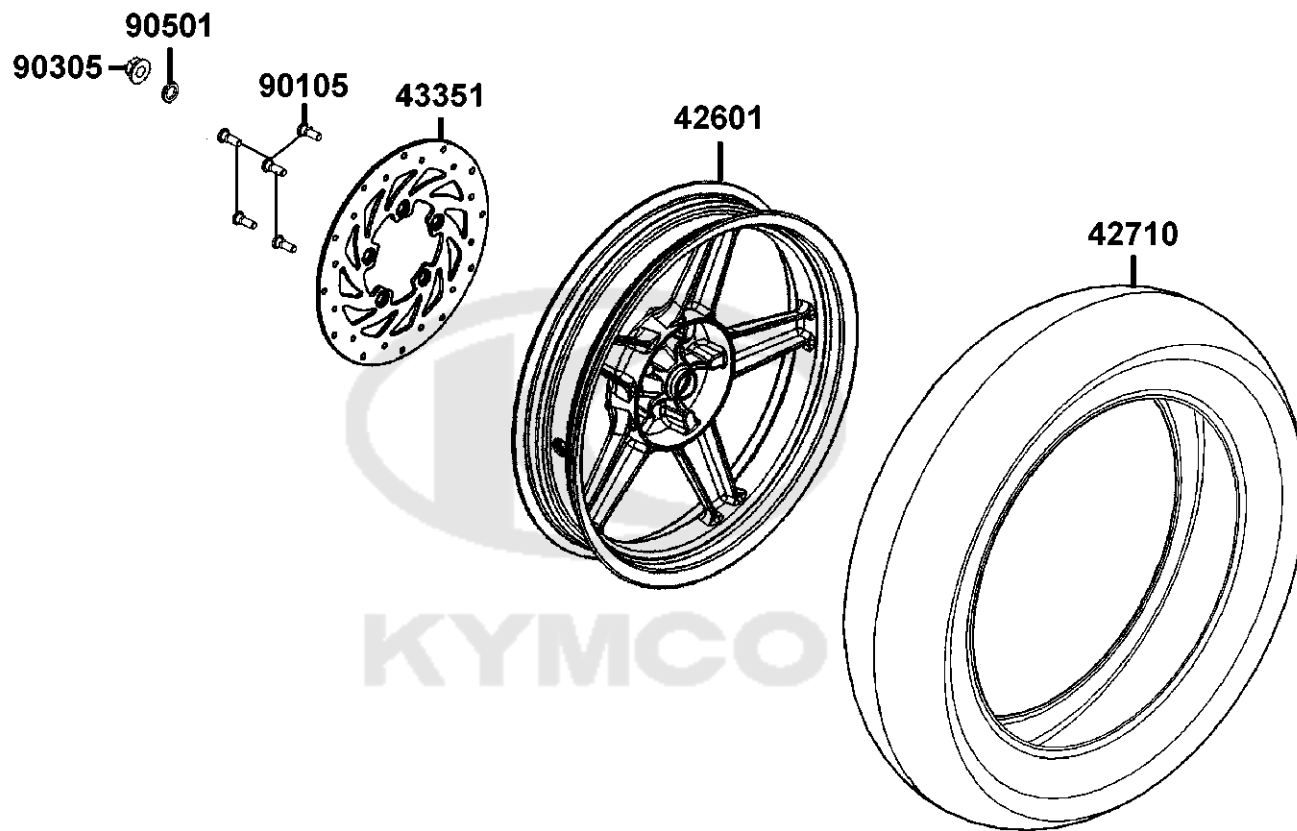
Sales mark	Ref no	Part no	Description	Reg description	Regd no	F06
**	61100	61100-ALJ8-E10	FENDER FR INNER	FENDER FR INNER	1	
**	61101	61101-ALJ8-E10	FENDER B R FR	FENDER B R FR	1	
**	61102	61102-ALJ8-E10	FENDER B L FR	FENDER B L FR	1	
	83550	83550-KEC8-C00	COLLAR	COLLAR	2	
	83551	83551-KEC8-C10	GROMMET COVER	GROMMET COVER	2	
	90110	90110-KEB7-C00	SCREW SPECIAL 6*14	SCREW SPECIAL 6*14	2	
	90116	90116-LEJ2-E10	BOLT	BOLT	1	
	90305	90305-GHK8-C00	NUT U 16MM(C)	NUT U 16MM(C)	2	
	90544	90544-LEJ2-E10	PACKINGCUB	PACKINGCUB	1	
	91014	91014-LLJ3-C00	CAGE STRG TOPP	CAGE STRG TOPP	1	
	91015	91015-LLJ3-C00	CAGE STRG BOT	CAGE STRG BOT	1	
	91251	91251-LEJ2-E10	OIL SEAL	OIL SEAL	1	
	91254	91254-LEJ2-E10	DUST SEAL	DUST SEAL	1	
	94608	94608-LEJ2-E10	O-RING B	O-RING B	1	
	95701-06012	95701-06012-07	BOLT FLANGE 6*12(K)	BOLT FLANGE 6*12(K)	1	
	95701-06025	95701-06025-07	BOLT FLANGE 6*25(K)	BOLT FLANGE 6*25(K)	2	
	95801	95801-08040-08	BOLT FLANGE 8*40 (C)	BOLT FLANGE 8*40 (C)	4	

F07

Front Wheel



Sales mark	Ref no	Part no	Description	Reg description	Regd no	F07
	42753	42753-0A01-C00	VALVE (TR 412) & CAP (C)	VALVE (TR 412) & CAP (C)	1	
	44301	44301-LEJ2-E11	AXLE FR WHEEL	AXLE FR WHEEL	1	
	44301	44301-LEJ2-E13	AXLE FR WHEEL 12*243(K)	AXLE FR WHEEL 12*243(K)	1	
	44311	44311-LFC2-E10	COLLAR FR WHEEL SIDE	COLLAR FR WHEEL SIDE	1	
	44601	44601-LFC2-E10	WHEEL CAST FR	WHEEL CAST FR	1	
	44620	44620-KFLF-C00	COLLAR FR DIST	COLLAR FR DIST	1	
	44680	44680-4L10-C00	RETAINER GEAR BOX	RETAINER GEAR BOX	1	
	44710	44710-LFC4-E91	TIRE FR	TIRE FR	1	
	44800	44800-LKD1-E10	GEAR BOX ASSY SPDMT	GEAR BOX ASSY SPDMT	1	
	45121	45121-LFC2-E80	DISK FR BRK	DISK FR BRK	1	
	90105	90105-KCR3-001	BOLT FR DISK 8*24	BOLT FR DISK 8*24	5	
	90306	90306-LKL5-E30	NUT U FLANGE 12MM	NUT U FLANGE 12MM	1	
	91252	91252-0L30-004	OIL SEAL 23*37*7	OIL SEAL 23*37*7	1	
	91252	91252-0L30-C00	OIL SEAL 23*37*7	OIL SEAL 23*37*7	1	
	91258	91258-4L10-007	DUST SEAL 40*50*5	DUST SEAL 40*50*5	1	
	96120	96120-63010-10	BEARING BALL RADIAL 6301	BEARING BALL RADIAL 6301	2	

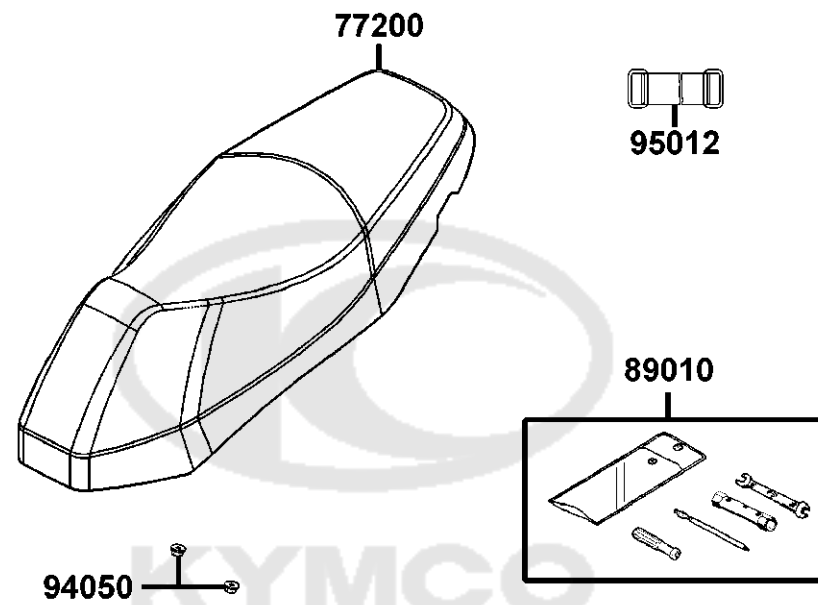


Sales mark	Ref no	Part no	Description	Reg description	Regd no	F08
**	42601	42601-ALJ8-E10	WHEEL COMP FR CAST	WHEEL COMP FR CAST	1	
	42710	42710-ALJ8-E10	TIRE ASSY RR	TIRE ASSY RR	1	
	43351	43351-LFC3-E80	DISK RR BRK	DISK RR BRK	1	
	90105	90105-KCR3-001	BOLT FR DISK 8*24	BOLT FR DISK 8*24	5	
	90305	90305-KNBN-C02	NUT U 16MM(K)	NUT U 16MM(K)	1	
	90501	90501-KNBN-C00	WASHER 16MM	WASHER 16MM	1	



F09

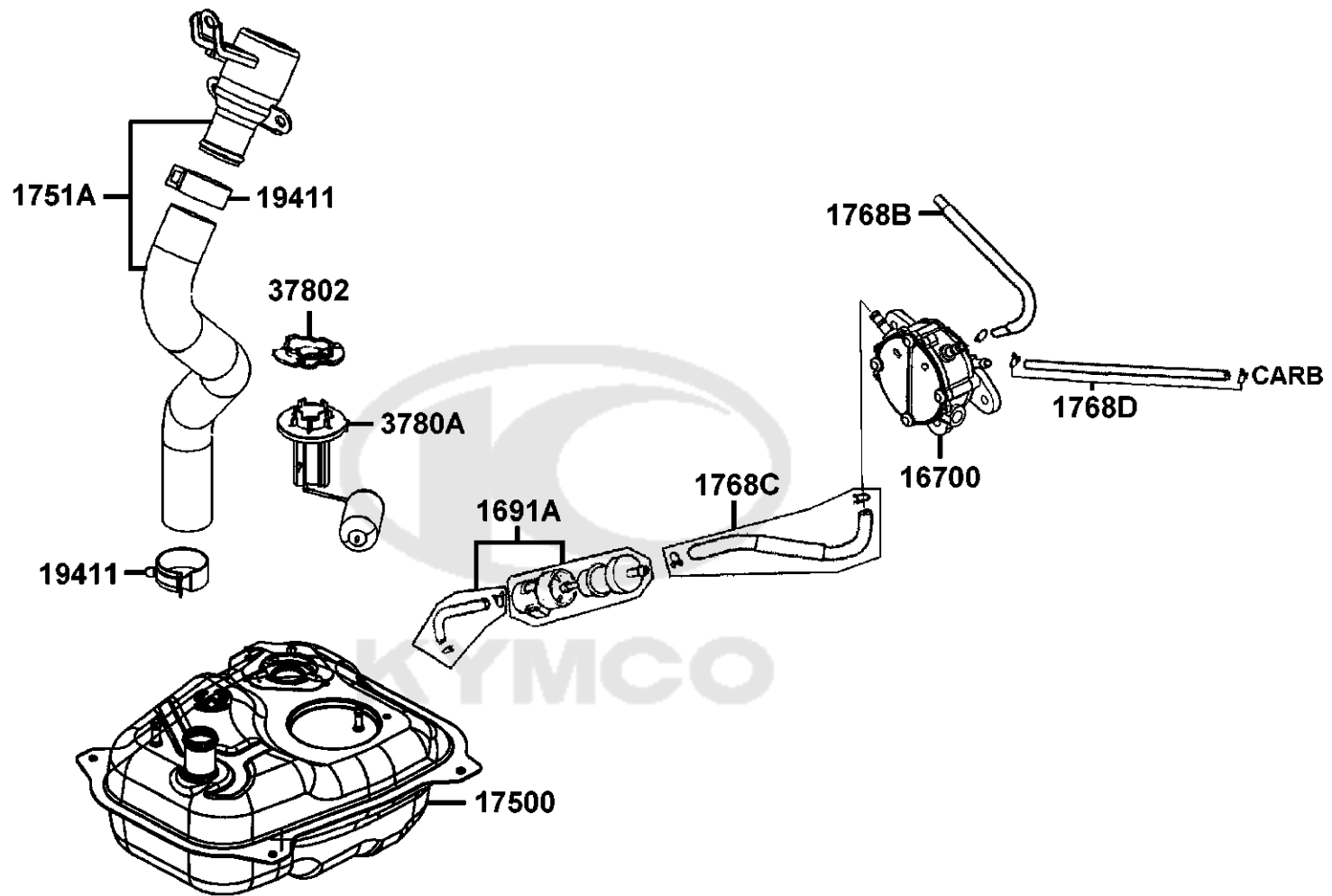
Seat



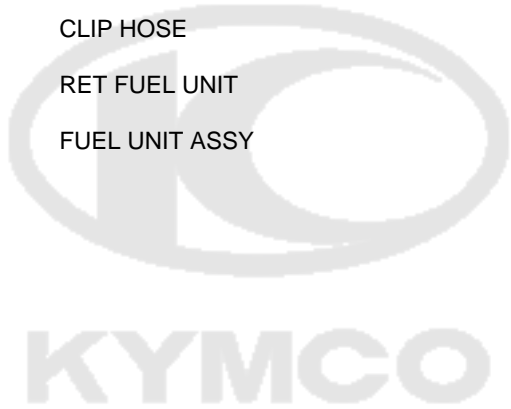
Sales mark	Ref no	Part no	Description	Reg description	Regd no	F09
------------	--------	---------	-------------	-----------------	---------	------------

**	77200	77200-ALJ8-E10	SEAT ASSY	SEAT ASSY	1	
	89010	89010-KGBG-C00	TOOL SET	TOOL SET	1	
	94050	94050-06080	NUT FLANGE 6MM	NUT FLANGE 6MM	2	
	95012	95012-KGE2-C10	BATTERY BAND	BATTERY BAND	1	





Sales mark	Ref no	Part no	Description	Reg description	Regd no	F10
16700		16700-KHE2-900	FUEL PUMP ASSY	FUEL PUMP ASSY	1	
1691A		1691A-ALJ9-E10	"STRAINER ASSY., FUEL"	"STRAINER ASSY., FUEL"	1	
17500		17500-ALJ9-E10	TANK COMP. FUEL	TANK COMP. FUEL	1	
1751A		1751A-ALJ8-E10	FUEL PIPE ASSY	FUEL PIPE ASSY	1	
1768B		1768B-ALJ9-E10	TUBE ASSY. VACUUM	TUBE ASSY. VACUUM	1	
1768C		1768C-ALJ9-E10	TUBE ASSY. STRAINER-PUMP	TUBE ASSY. STRAINER-PUMP	1	
1768D		1768D-ALJ9-E10	TUBE ASSY. PUMP - CARBURETOR	TUBE ASSY. PUMP - CARBURETOR	1	
19411		19411-KNBN-C10	CLIP HOSE	CLIP HOSE	1	
37802		37802-GGA7-C00	RET FUEL UNIT	RET FUEL UNIT	1	
3780A		3780A-ALJ8-E10	FUEL UNIT ASSY	FUEL UNIT ASSY	1	

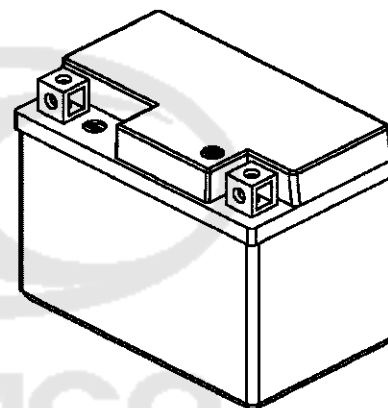


F11

Battery

98200-11000 

98200-11500 

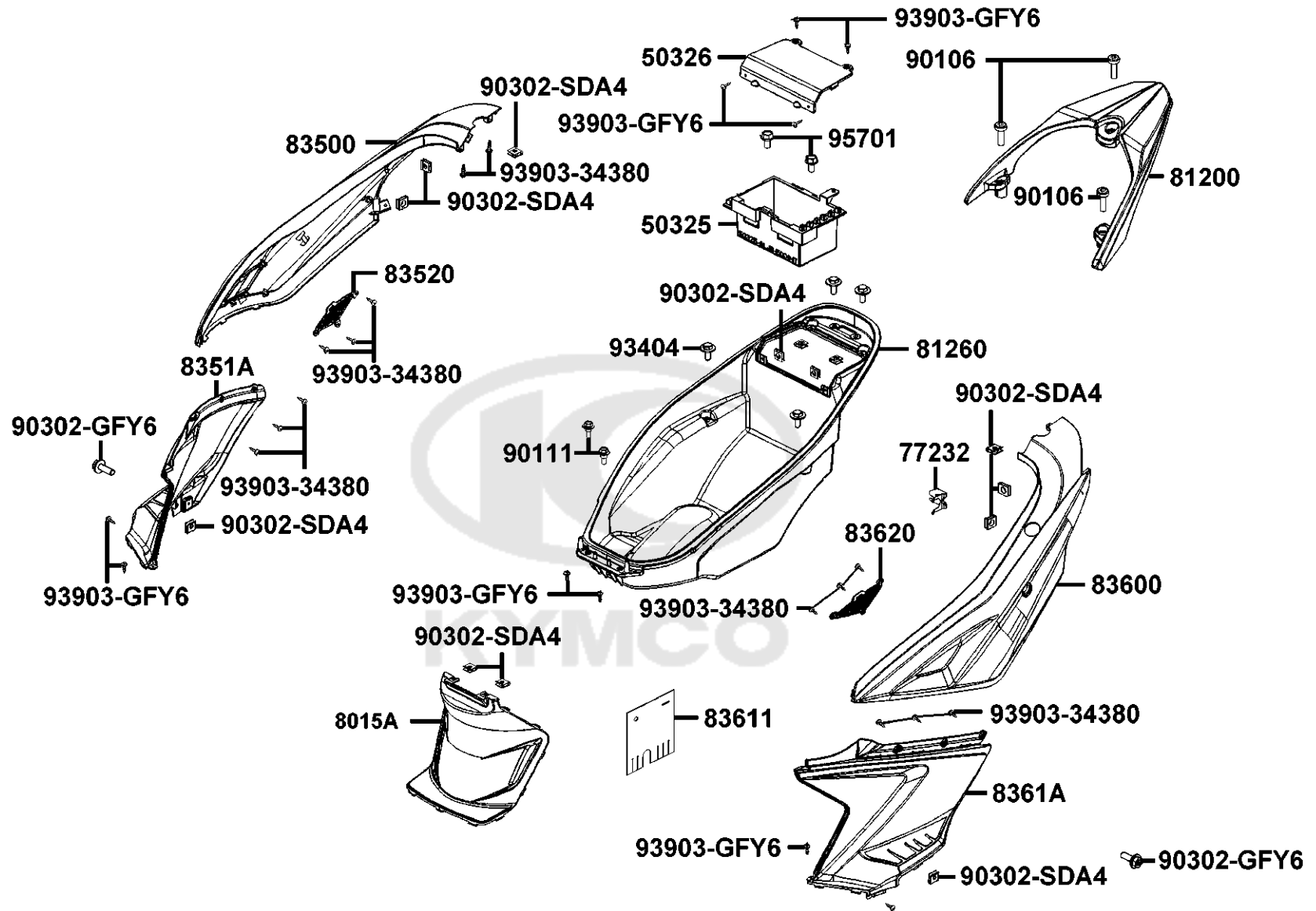


31500

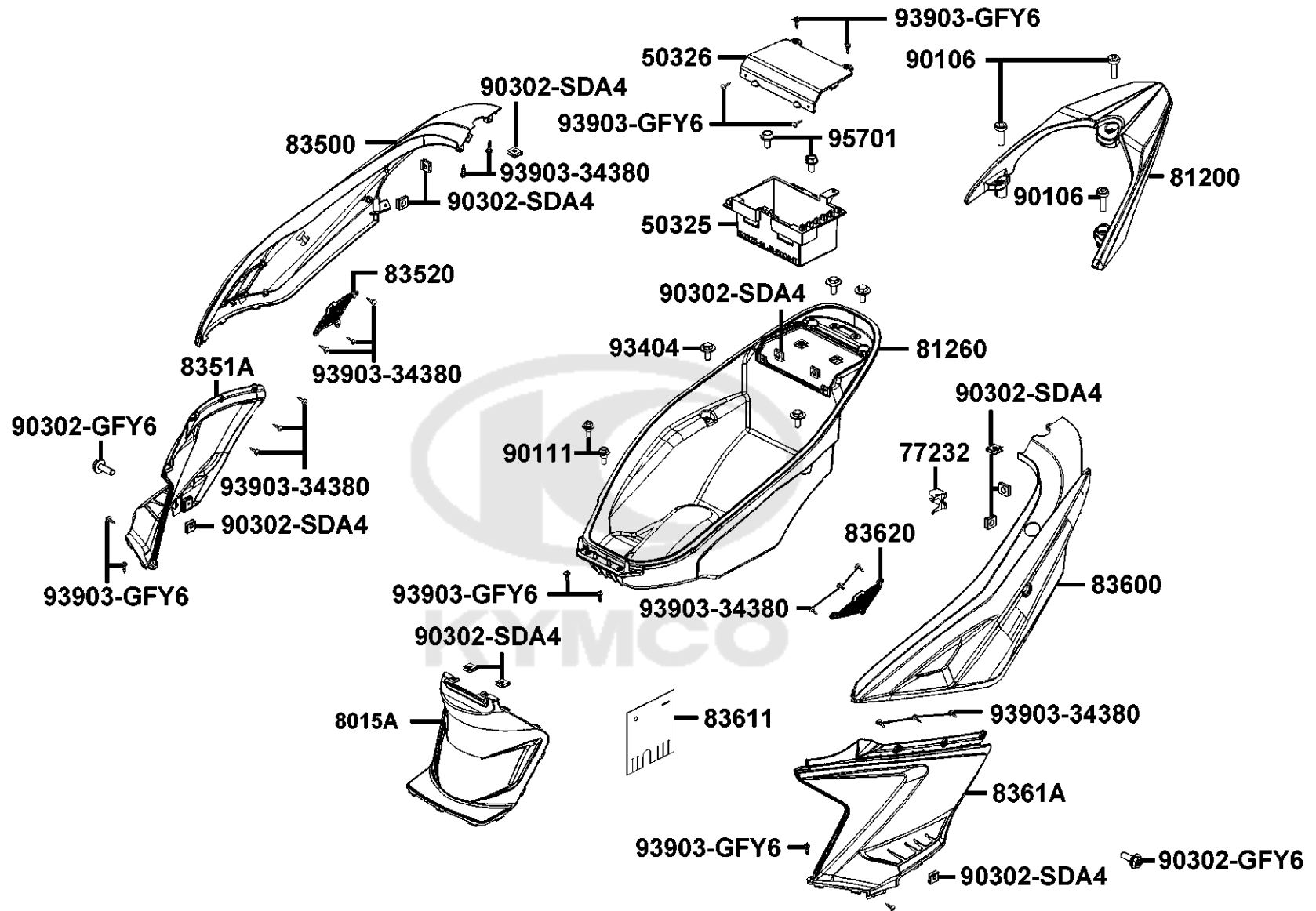
KYMCO

Sales mark	Ref no	Part no	Description	Reg description	Regd no	F11
	31500	31500-GFY6-C00	BATTERY	BATTERY	1	
	98200-11000	98200-11000	FUSE A10	FUSE A10	1	
	98200-11500	98200-11500	FUSE A15	FUSE A15	1	



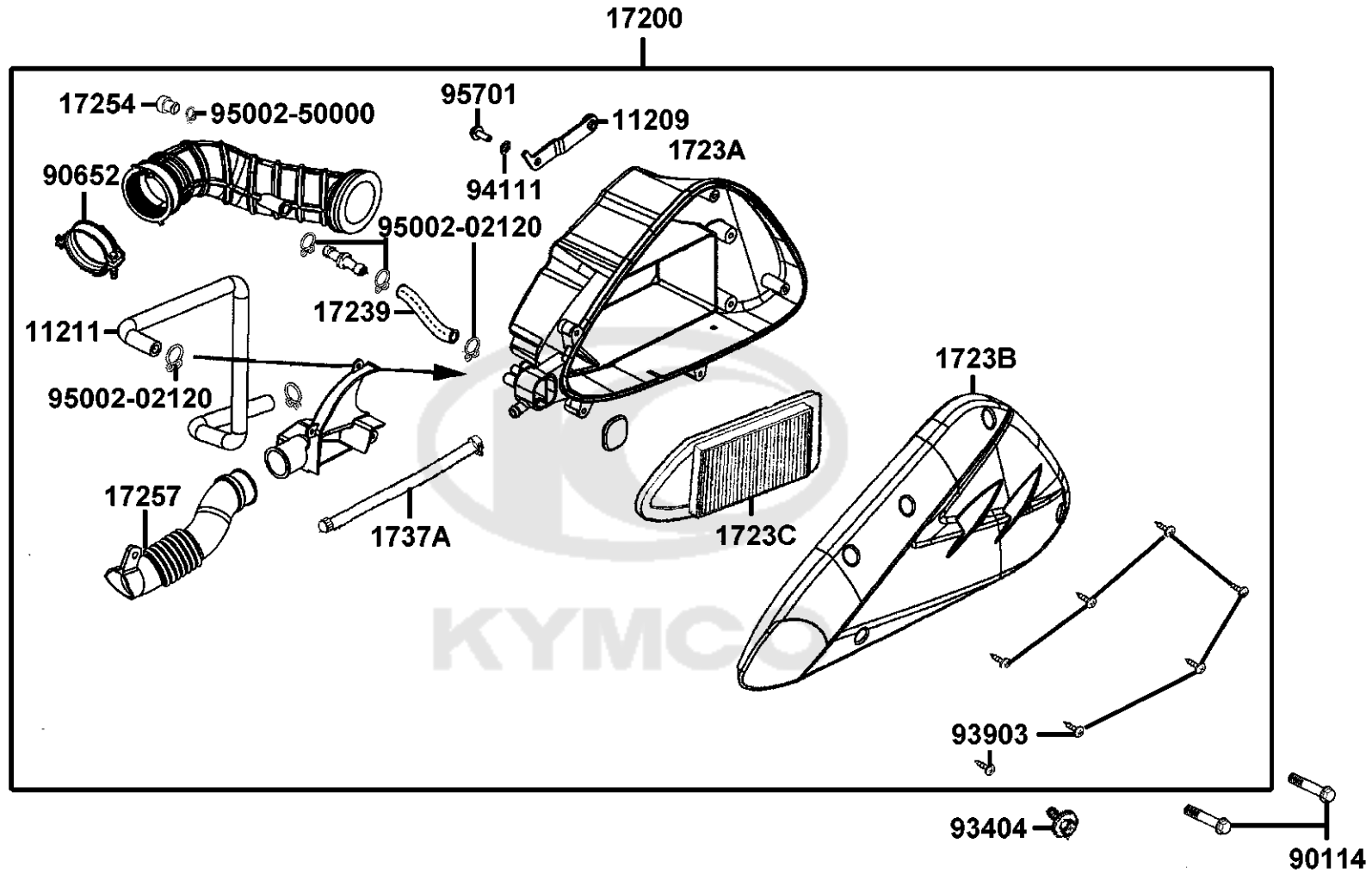


Sales mark	Ref no	Part no	Description	Reg description	Regd no	F12
**	50325	50325-ALJ8-E10	CASE BATTERY	CASE BATTERY	1	
**	50326	50326-ALJ8-E10	COVER BATTERY	COVER BATTERY	1	
	77232	77232-KCAC-C00	SET SPG SEAT LOCK	SET SPG SEAT LOCK	1	
**	8015A	8015A-ALJ8-E10	COVER ASSY CENTER	COVER ASSY CENTER	1	
**	81200	81200-ALJ8-E10	CARRIER ASSY REAR	CARRIER ASSY REAR	1	
	81260	81260-ALJ9-E10	"BOX ASSY.,LUG"	"BOX ASSY.,LUG"	1	
**	83500	83500-ALJ8-E10	COVER R BODY	COVER R BODY	1	
**	8351A	8351A-ALJ8-E10	COVER R RR SIDE	COVER R RR SIDE	1	
**	83520	83520-ALJ8-E10	LID R BODY COVER	LID R BODY COVER	1	
**	83600	83600-ALJ8-E10	COVER L BODY	COVER L BODY	1	
	83611	83611-ALJ8-E10	PLATE SPLASH BOARD	PLATE SPLASH BOARD	1	
**	8361A	8361A-ALJ8-E10	COVER L RR SIDE	COVER L RR SIDE	1	
**	83620	83620-ALJ8-E10	LID L BODY COVER	LID L BODY COVER	1	
	90106	90106-KFC2-900	"BOLT-WASH.,8MM"	"BOLT-WASH.,8MM"	3	
	90111	90111-1G87-C00	BOLT FLANGE 6MM	BOLT FLANGE 6MM	2	
	90111	90111-1G87-C01	BOLT FLANGE 6MM	BOLT FLANGE 6MM	2	
	90302-GFY6	90302-GFY6-C00	BOLT-WASH 5*12	BOLT-WASH 5*12	10	
	90302-SDA4	90302-SDA4-C00	NUT SPRING 4MM	NUT SPRING 4MM	10	
	90302-SDA4	90302-SDA4-C01	NUT SPRING 4MM	NUT SPRING 4MM	10	
	93404	93404-06012-07	BOLT WASH 6*12	BOLT WASH 6*12	4	

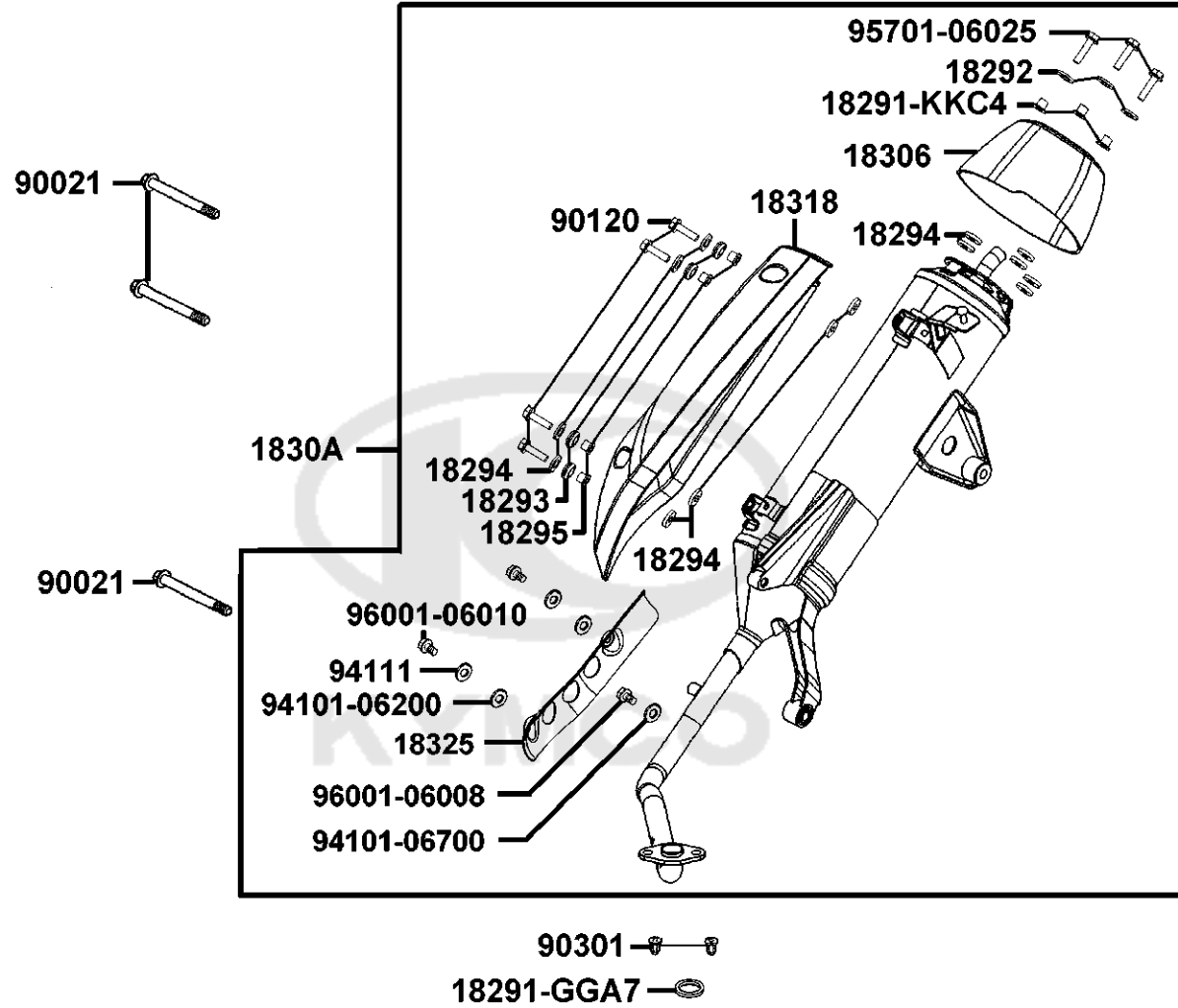


Sales mark	Ref no	Part no	Description	Reg description	Regd no	F12
	93903-34380	93903-34380	SCREW TAPPING 4*12 (K)	SCREW TAPPING 4*12 (K)	14	
	93903-GFY6	93903-GFY6-C00	SCREW TAPPING 4*14	SCREW TAPPING 4*14	4	
	93903-GFY6	93903-GFY6-C01	SCREW TAPPING 4*14(K)	SCREW TAPPING 4*14(K)	4	
	95701	95701-06012-08	BOLT FLANGE 6*12	BOLT FLANGE 6*12	2	





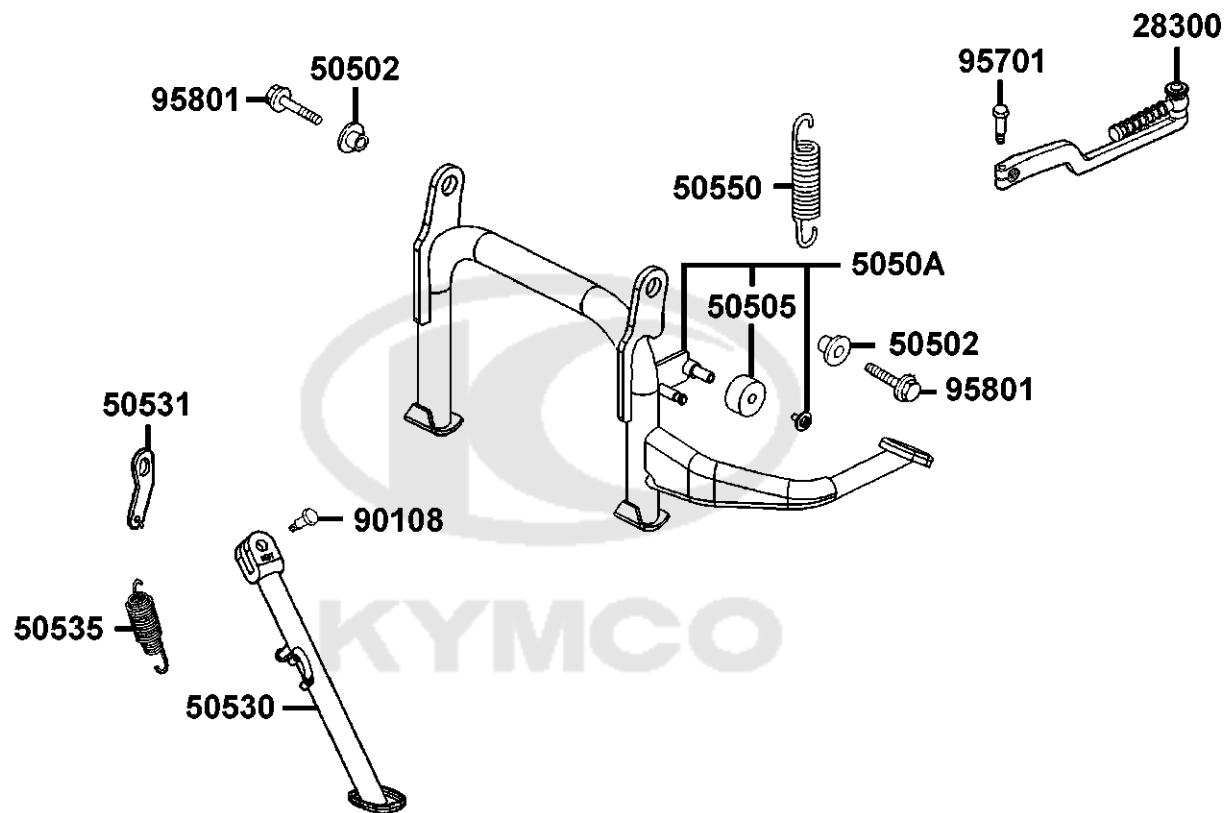
Sales mark	Ref no	Part no	Description	Reg description	Regd no	F13
	11209	11209-LCD3-E00	STAY B RR FENDER	STAY B RR FENDER	1	
	11211	11211-KHB4-C00	TUBE BREATHER	TUBE BREATHER	1	
	17200	17200-LFC4-E10	AIR/C ASSY.	AIR/C ASSY.	1	
	17239	17239-KHB4-C00	TUBE AIR/C BLOW BY	TUBE AIR/C BLOW BY	1	
	1723A	1723A-LFC4-E10	"CASE ASSY,AIR/C"	"CASE ASSY,AIR/C"	1	
	1723B	1723B-LFC4-E10	COVER COMP AIR/C	COVER COMP AIR/C	1	
	1723C	1723C-LEJ3-E10	ELEMENT COMP AIR/C	ELEMENT COMP AIR/C	1	
	17254	17254-KACA-P00	PLUG AIR/C CONN TUBE	PLUG AIR/C CONN TUBE	1	
	17257	17257-LFC4-E10	DUCT AIR/C	DUCT AIR/C	1	
	1737A	1737A-LCD3-E00	V TUBE ASSY	V TUBE ASSY	1	
	90114	90114-GDM4-C00	BOLT M6*28	BOLT M6*28	1	
	90652	90652-GFY6-C00	BAND 49 AIR/C CONNECTING TUBE	BAND 49 AIR/C CONNECTING TUBE	1	
	93404	93404-06012-07	BOLT WASH 6*12	BOLT WASH 6*12	1	
	93903	93903-25480	SCREW TAPPING 5*20 (K)	SCREW TAPPING 5*20 (K)	6	
	94111	94111-06800	WASHER PLAIN 6MM	WASHER PLAIN 6MM	1	
	95002-02120	95002-02120	CLIP B12 TUBE	CLIP B12 TUBE	5	
	95002-50000	95002-50000	CLIP C9 TUBE	CLIP C9 TUBE	1	
	95701	95701-06008-08	WASHER PLAIN 12MM (C)	WASHER PLAIN 12MM (C)	1	



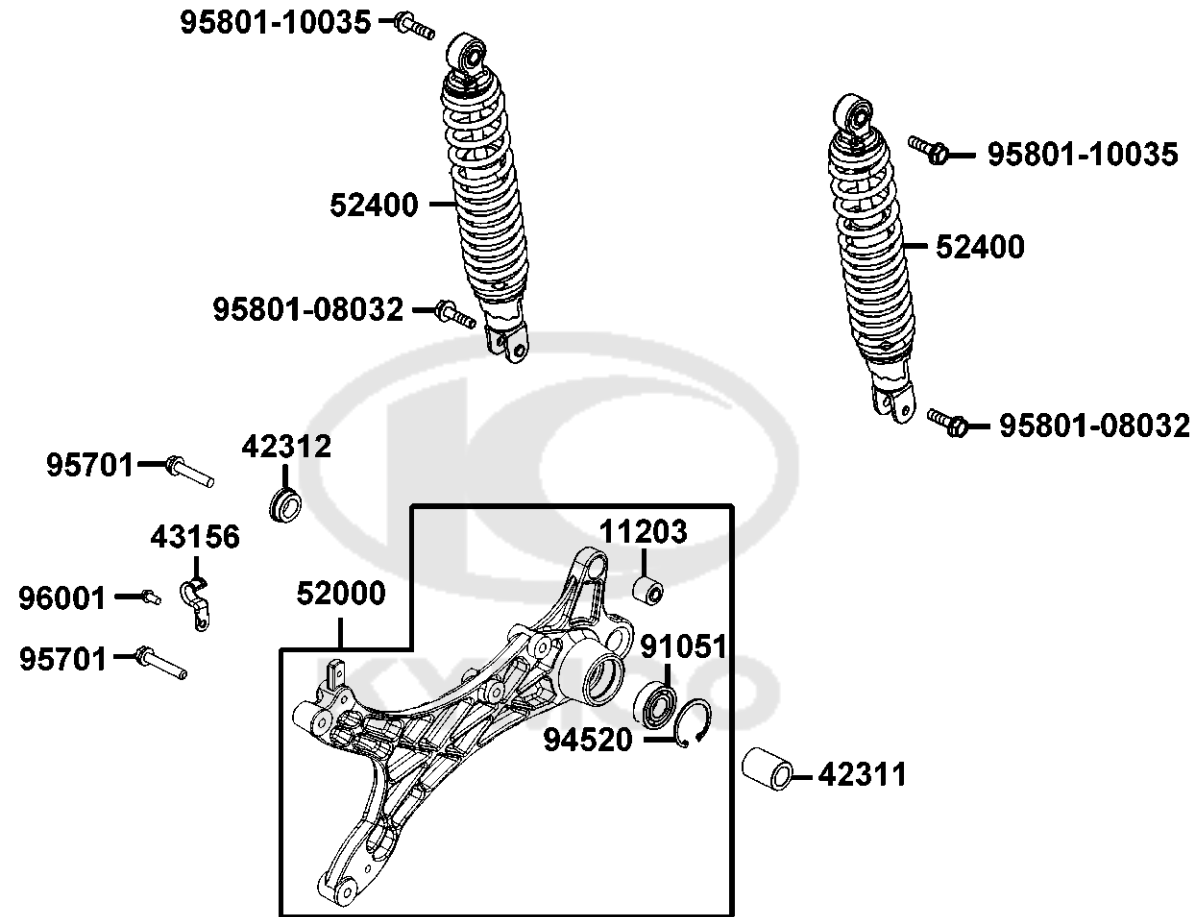
Sales mark	Ref no	Part no	Description	Reg description	Regd no	F14
	18291-GGA7	18291-GGA7-C01	GASKET EXH PIPE	GASKET EXH PIPE	1	
	18291-KKC4	18291-KKC4-C00	COLLAR	COLLAR	1	
	18292	18292-KEBE-C00	PACKING PROTECTOR	PACKING PROTECTOR	1	
	18293	18293-KECE-C00	RUBBER A PROTR	RUBBER A PROTR	1	
	18294	18294-PUA3-B50	PACKING PTOTECTOR	PACKING PTOTECTOR	14	
	18295	18295-KECE-900	COLLAR 6MM	COLLAR 6MM	1	
	18306	18306-ALJ8-E10	TAIL CAP MUFFLER	TAIL CAP MUFFLER	1	
	1830A	1830A-ALJ9-E90	MUFFLER ASSY EXHAUST	MUFFLER ASSY EXHAUST	1	
	18318	18318-ALJ8-E10	PROTECTOR MUFF	PROTECTOR MUFF	1	
**	18325	18325-LFC3-E10	MUFFLER COMP EXH	MUFFLER COMP EXH	1	
	90021	90021-GFY6-C10	BOLT WASHER COMP	BOLT WASHER COMP	3	
	90021	90021-GFY6-C11	BOLT WASHER COMP	BOLT WASHER COMP	3	
	90120	90120-ALK1-C00	SCREW SPECIAL M6*22	SCREW SPECIAL M6*22	1	
	90301	90301-GFY6-C00	NUT (HEX) CAP 8MM	NUT (HEX) CAP 8MM	1	
	94101-06200	94101-06200	WASHER PLANE 6MM	WASHER PLANE 6MM	2	
	94101-06700	94101-06700	WASHER PLAIN 6MM (K)	WASHER PLAIN 6MM (K)	1	
	94111	94111-06800	WASHER PLAIN 6MM	WASHER PLAIN 6MM	2	
	95701-06025	95701-06025-07	BOLT FLANGE 6*25(K)	BOLT FLANGE 6*25(K)	1	
	96001-06008	96001-06008-07	BOLT FLANGE 6*10	BOLT FLANGE 6*10	1	
	96001-06010	96001-06010-02	BOLT FLANGE SH 6*10 (Cr)	BOLT FLANGE SH 6*10 (Cr)	1	

F15

Stand Kick Starter Arm



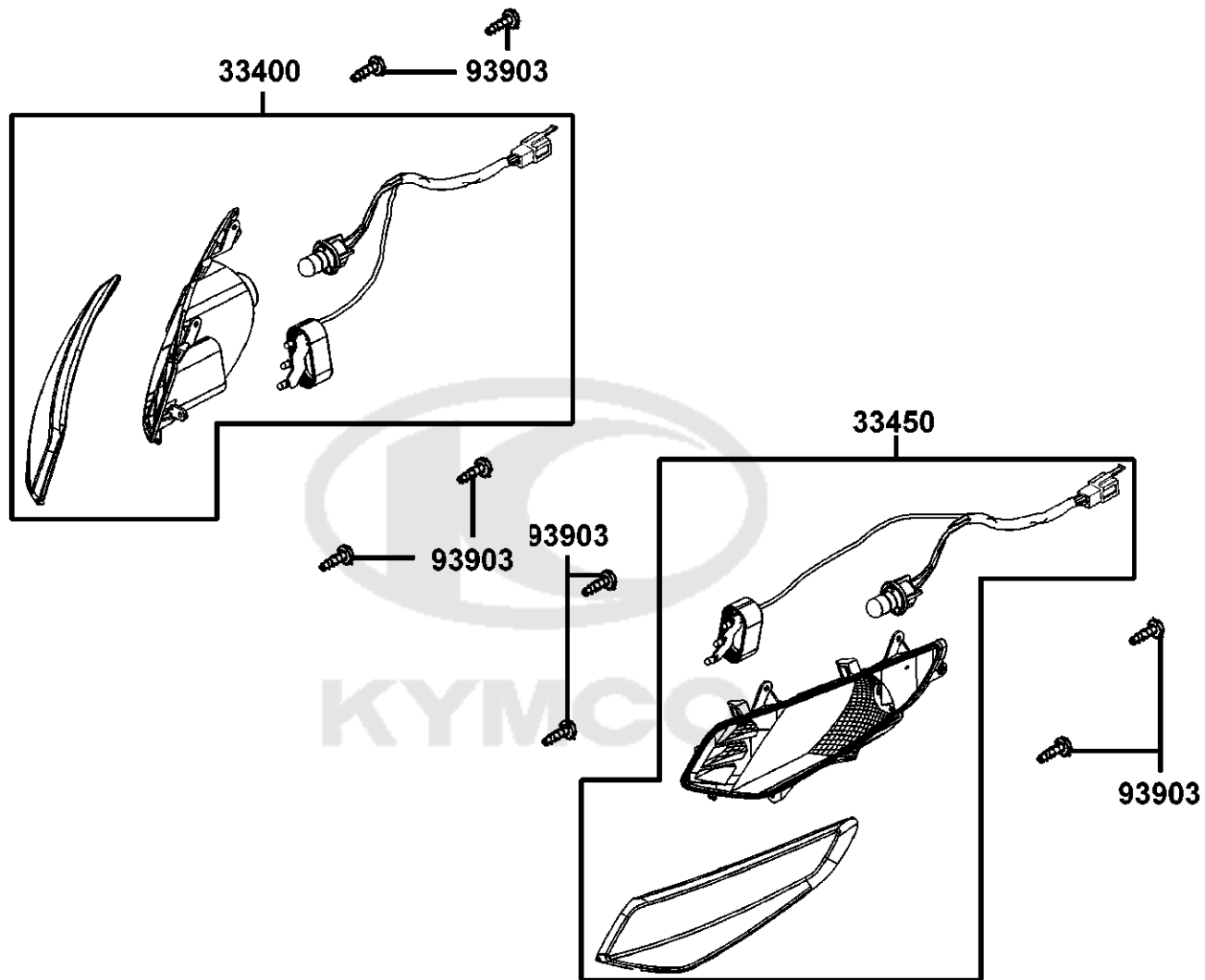
Sales mark	Ref no	Part no	Description	Reg description	Regd no	F15
	28300	28300-LEH2-B50	ARM ASSY KICK STARTER	ARM ASSY KICK STARTER	1	
	50502	50502-LDF7-C00	COLLAR MAIN STAND	COLLAR MAIN STAND	2	
	50505	50505-LCB9-C00	STOPPER RUBBER	STOPPER RUBBER	1	
	5050A	5050A-ALJ9-E10	STAND ASSY. MAIN	STAND ASSY. MAIN	1	
	50530	50530-ALJ8-E10	BAR SIDE STAND	BAR SIDE STAND	1	
	50531	50531-KEB7-C00	PLATE SPRING STOPPER	PLATE SPRING STOPPER	1	
	50535	50535-KEB7-W10	SPRING COMP SIDE STAND	SPRING COMP SIDE STAND	1	
	50550	50550-KEB7-C00	SPG ASSY MAIN STAND	SPG ASSY MAIN STAND	1	
	90108	90108-KFA6-E00	SCREW SIDE STAND PIVOT	SCREW SIDE STAND PIVOT	1	
	95701	95701-06022-07	BOLT FLANGE 6*22 (K)	BOLT FLANGE 6*22 (K)	1	
	95801	95801-10025-07	BOLT FLANGE 10*25 (C)	BOLT FLANGE 10*25 (C)	2	



Sales mark	Ref no	Part no	Description	Reg description	Regd no	F16
	11203	11203-GGC7-301	UNDER RUBBER BUSH RR CUSHION	UNDER RUBBER BUSH RR CUSHION	1	
	42311	42311-KHB4-C00	COLLAR RR AXLE A	COLLAR RR AXLE A	1	
	42312	42312-LEJ2-E10	"COLLAR,RR AXLE SIDE"	"COLLAR,RR AXLE SIDE"	1	
	43156	43156-LFC3-E10	CLAMPER HOSE RR	CLAMPER HOSE RR	1	
	52000	52000-ALJ8-E10	FORK ASSY RR	FORK ASSY RR	1	
**	52400	52400-ALJ8-E10	CUSHION ASSY RR	CUSHION ASSY RR	2	
	91051	91051-KFBF-C00	BRG BALL RADIAL 6203 LLU	BRG BALL RADIAL 6203 LLU	1	
	94520	94520-40000	CIR CLIP IN 40	CIR CLIP IN 40	1	
	95701	95701-08050-07	BOLT FLANGE 8*50 (K)	BOLT FLANGE 8*50 (K)	2	
	95801-08032	95801-08032-07	BOLT FLANGE 8*32(K)	BOLT FLANGE 8*32(K)	2	
	95801-10035	95801-10035-08	BOLT FLANGE 10*35 (C)	BOLT FLANGE 10*35 (C)	2	
	96001	96001-06012-07	BOLT FLANGE SH 6*12	BOLT FLANGE SH 6*12	1	

F17

Front Winker



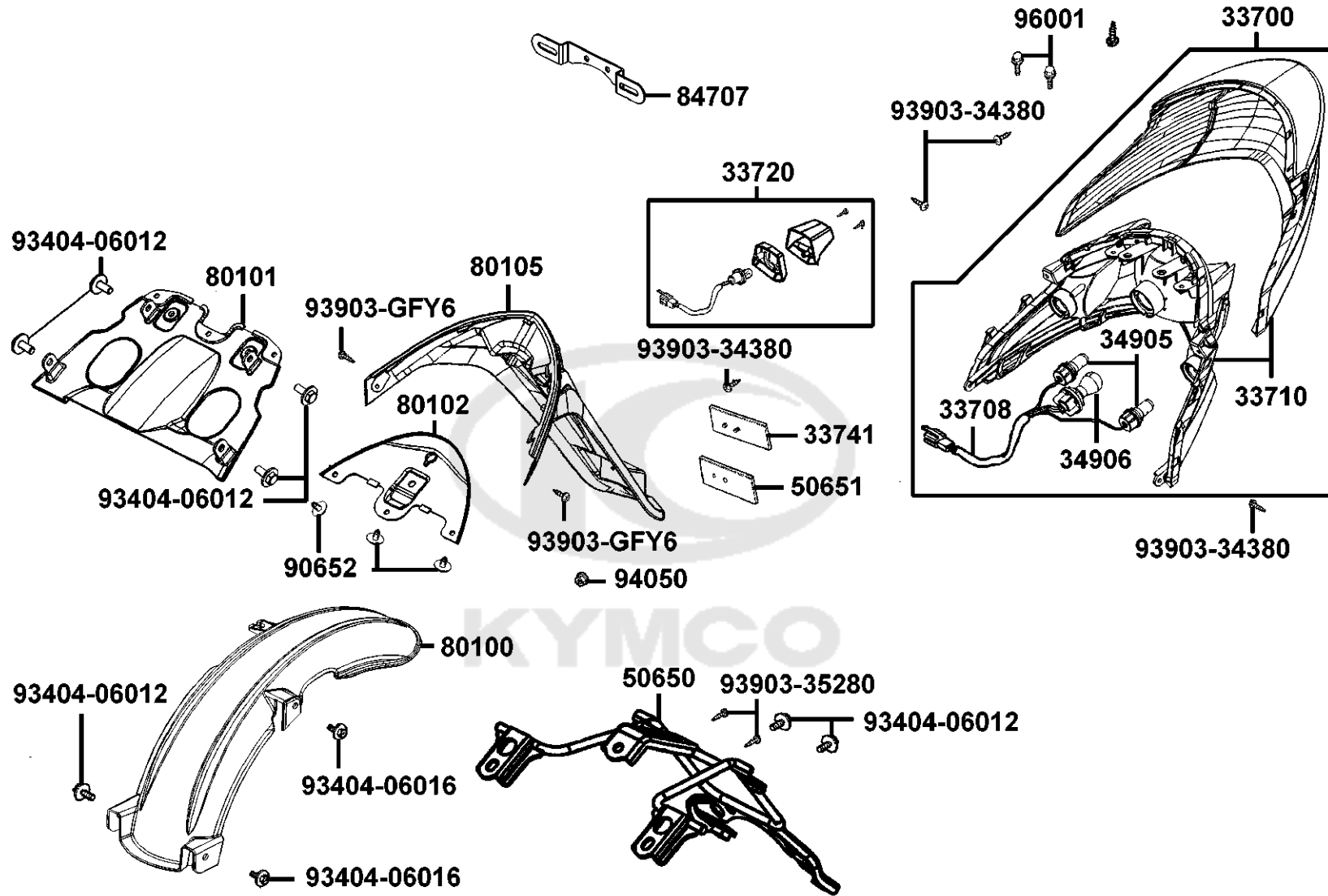
Sales mark	Ref no	Part no	Description	Reg description	Regd no	F17
------------	--------	---------	-------------	-----------------	---------	------------

33400		33400-ALJ8-E10	WINKER ASSY R FR	WINKER ASSY R FR	1	
33450		33450-ALJ8-E10	WINKER ASSY L FR	WINKER ASSY L FR	1	
93903		93903-34380	SCREW TAPPING 4*12 (K)	SCREW TAPPING 4*12 (K)	8	



F18

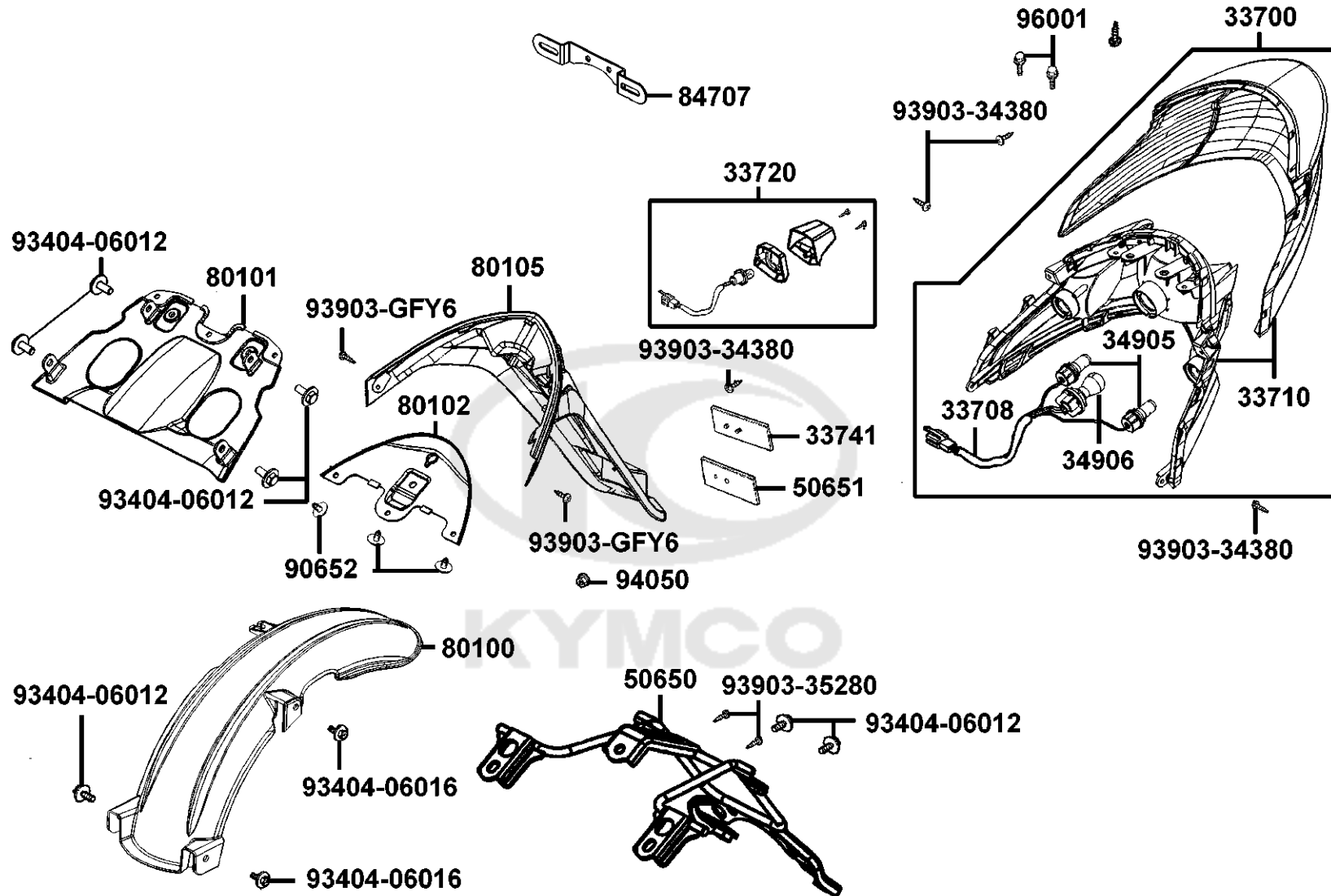
Tail Light




Sales mark	Ref no	Part no	Description	Reg description	Regd no	F18
	33700	33700-ALJ8-E10	LIGHT ASSY RR COMB	LIGHT ASSY RR COMB	1	
	33708	33708-ALJ8-E10	SOCKER COMP RR COMB	SOCKER COMP RR COMB	1	
	33710	33710-ALJ8-E10	LIGHT COMP RR COMB	LIGHT COMP RR COMB	1	
	33720	33720-LEJ2-E10	LIGHT ASSY LICENSE	LIGHT ASSY LICENSE	1	
	33741	33741-LEH3-C10	REFLEX REFLECTOR	REFLEX REFLECTOR	1	
	34905	34905-LCA5-E00	BULB WINKE	BULB WINKE	2	
	34906	34906-KPCP-C00	BULB TAIL LIGHT	BULB TAIL LIGHT	1	
	50650	50650-LFC2-E10	"STAY RR.,FENDER"	"STAY RR.,FENDER"	1	
	50651	50651-LFC4-E10	STAY RR FENDER BALANCE	STAY RR FENDER BALANCE	1	
**	80100	80100-ALJ8-E11	FENDER RR TIRE	FENDER RR TIRE	1	
**	80101	80101-ALJ8-E10	FENDER RR INNER	FENDER RR INNER	1	
**	80102	80102-ALJ8-E10	LID MAINT TAIL LIGHT	LID MAINT TAIL LIGHT	1	
**	80105	80105-ALJ8-E10	FENDER RR	FENDER RR	1	
	84707	84707-LFC3-B20	UNDER NUMBER BRKT FR	UNDER NUMBER BRKT FR	1	
	90652	90652-LCA4-C10	CLIP MUDGUARD	CLIP MUDGUARD	3	
	93404-06012	93404-06012-07	BOLT WASH 6*12	BOLT WASH 6*12	7	
	93404-06016	93404-06016-07	BOLT WASHER 6*16 (K)	BOLT WASHER 6*16 (K)	1	
	93903-34380	93903-34380	SCREW TAPPING 4*12 (K)	SCREW TAPPING 4*12 (K)	7	
	93903-35280	93903-35280	SCREW TAPPING 5*12 (K)	SCREW TAPPING 5*12 (K)	2	
	93903-GFY6	93903-GFY6-C00	SCREW TAPPING 4*14	SCREW TAPPING 4*14	7	

F18

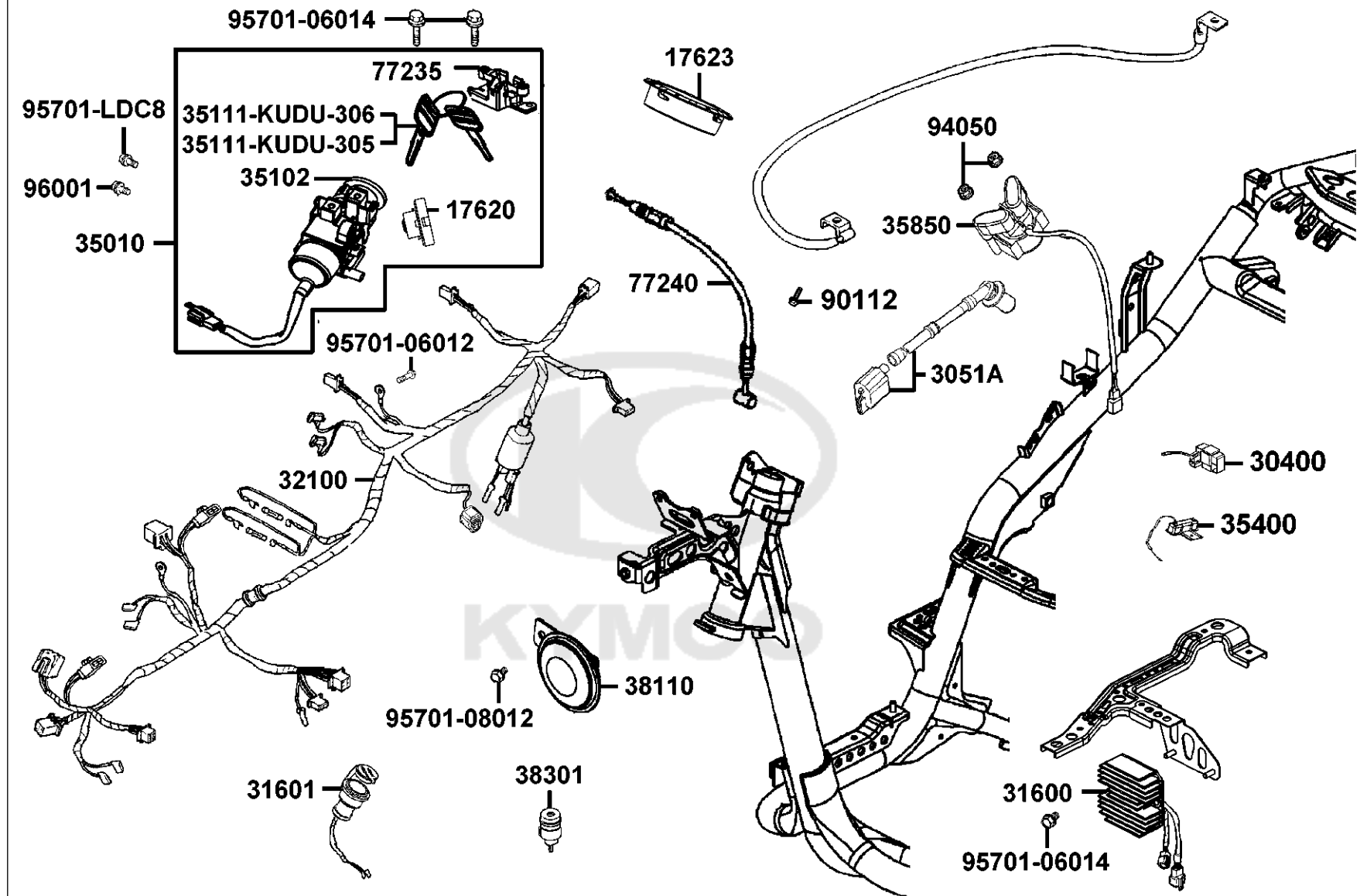
Tail Light



Sales mark	Ref no	Part no	Description	Reg description	Regd no	F18
	93903-GFY6	93903-GFY6-C01	SCREW TAPPING 4*14(K)	SCREW TAPPING 4*14(K)	7	
	94050	94050-05080	NUT FLANGE 5MM	NUT FLANGE 5MM	1	
	96001	96001-06012-08	BOLT FLANGE 6*12	BOLT FLANGE 6*12	2	
	96001	96001-06012-08G	BOLT FLANGE SH 6*12 (C)	BOLT FLANGE SH 6*12 (C)	2	
						

F19

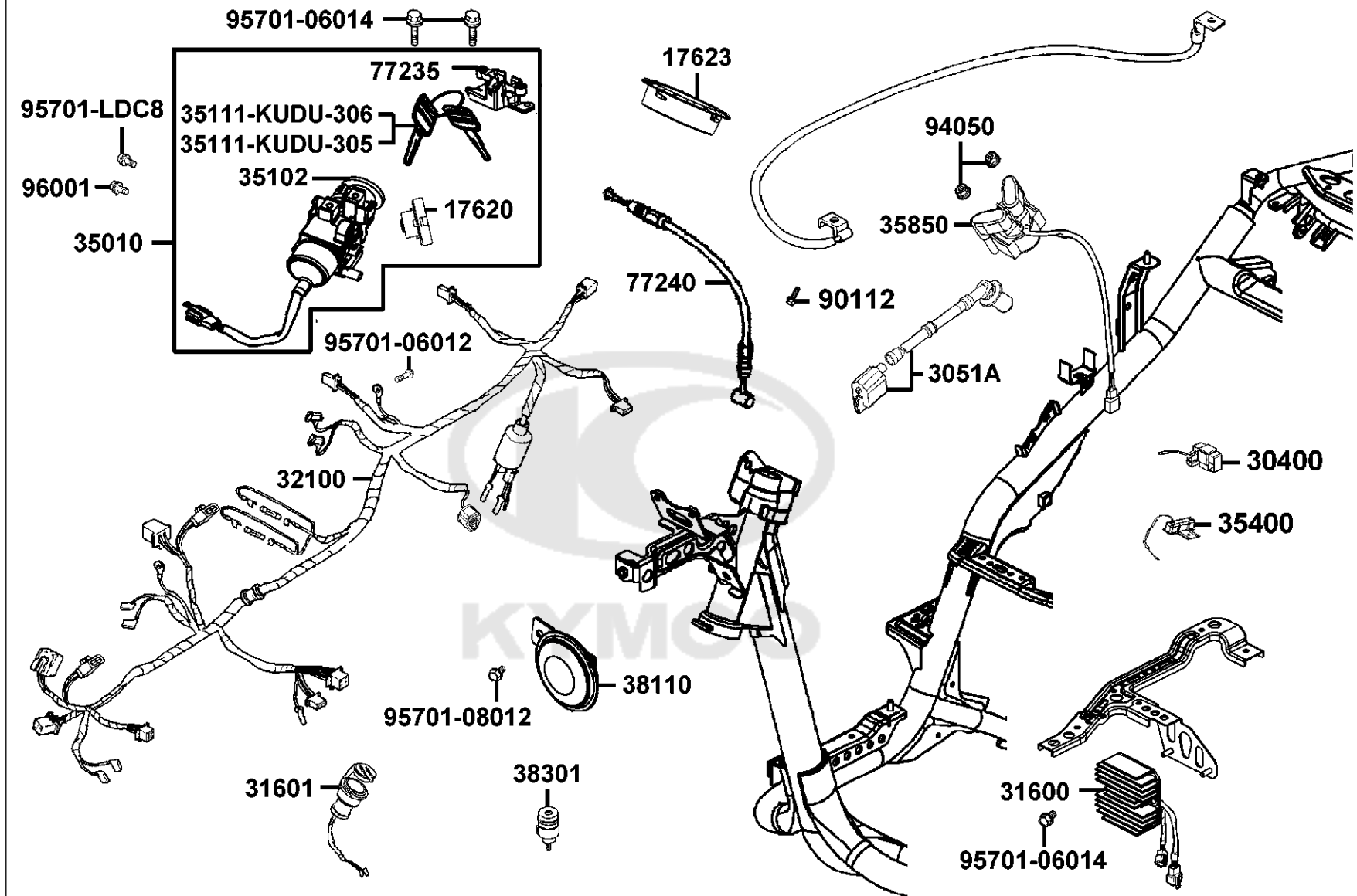
Wire Harness




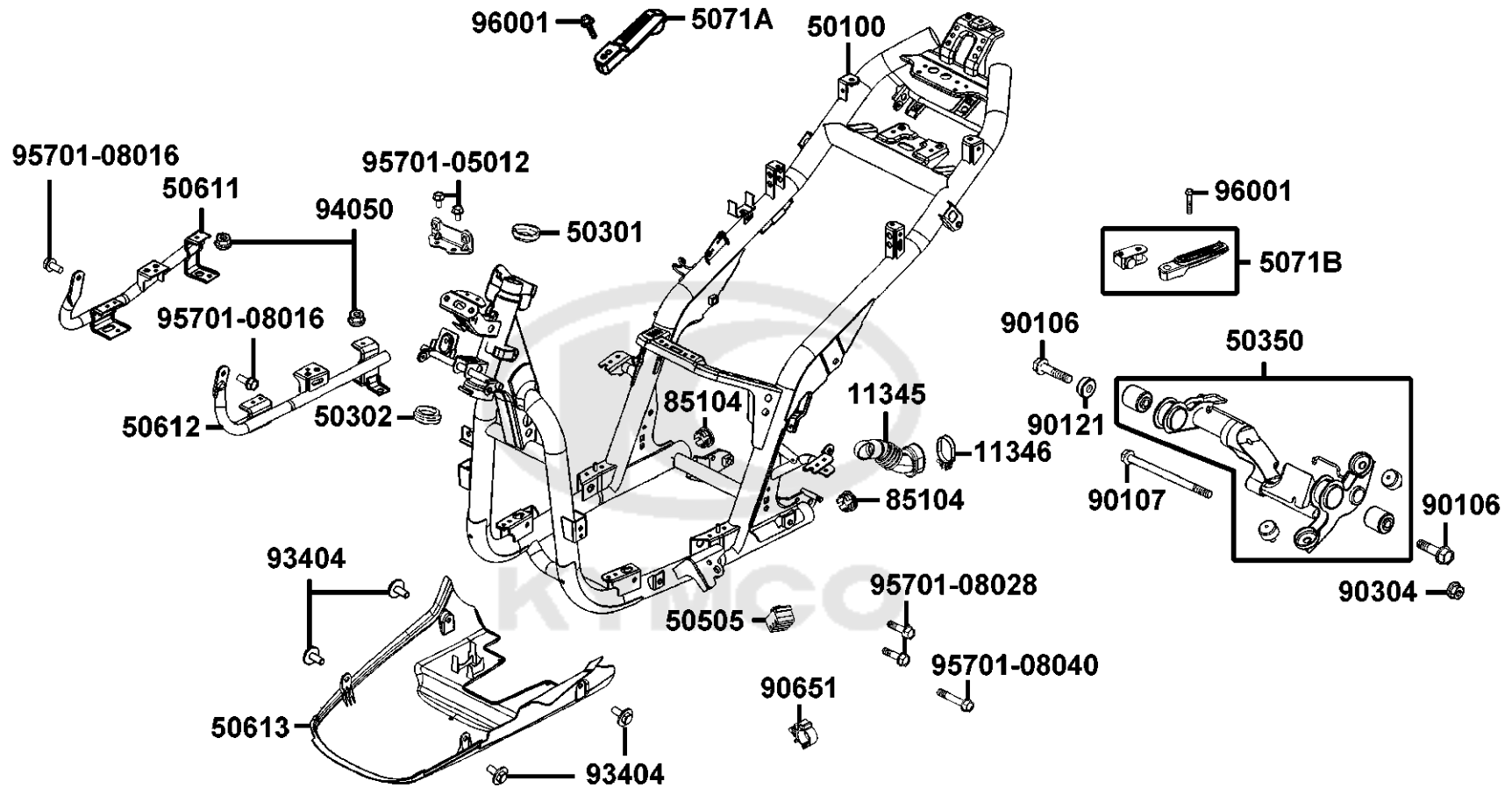
Sales mark	Ref no	Part no	Description	Reg description	Regd no	F19
	17620	17620-ALJ9-E10	CAP COMP FUEL FILLER	CAP COMP FUEL FILLER	1	
**	17623	17623-ALJ8-E10	COLLAR FUEL CAP	COLLAR FUEL CAP	1	
	30400	30400-ALJ9-E10	UNIT COMP CDI	UNIT COMP CDI	1	
	3051A	3051A-LLF5-C00	COIL ASSY IGN	COIL ASSY IGN	1	
	31600	31600-LCD3-C01	REG REC COMP (DC)	REG REC COMP (DC)	1	
	31601	31601-LFC2-E10	SOCKET COMP DC 12V	SOCKET COMP DC 12V	1	
	32100	32100-ALJ9-E10	HARNESS WIRE	HARNESS WIRE	1	
	35010	35010-ALJ8-E10	KEY SET	KEY SET	1	
	35102	35102-KGBG-91B	COLLAR MAIN SW	COLLAR MAIN SW	1	
	35111-KUDU-305	35111-KUDU-305	BLACK KEY R	BLACK KEY R	1	
	35111-KUDU-306	35111-KUDU-306	BLACK KEY L	BLACK KEY L	1	
	35400	35400-ALG1-E10	RESISTOR COMP	RESISTOR COMP	1	
	35850	35850-KHD8-C00	SET START MAG	SET START MAG	1	
	38110	38110-KHB4-E0A	HORN COMP	HORN COMP	1	
	38301	38301-GGS7-C00	RELAY ASSY WINKER	RELAY ASSY WINKER	1	
	77235	77235-KGC4-C00	SEAT CATCH	SEAT CATCH	1	
	77240	77240-LFC2-E10	"CABLE,SEAT LOCK"	"CABLE,SEAT LOCK"	1	
	90112	90112-PUA3-B50	BOLT FLANGE 5*22	BOLT FLANGE 5*22	1	
	94050	94050-06080	NUT FLANGE 6MM	NUT FLANGE 6MM	4	
	95701-06012	95701-06012-08	BOLT FLANGE 6*12	BOLT FLANGE 6*12	1	

F19

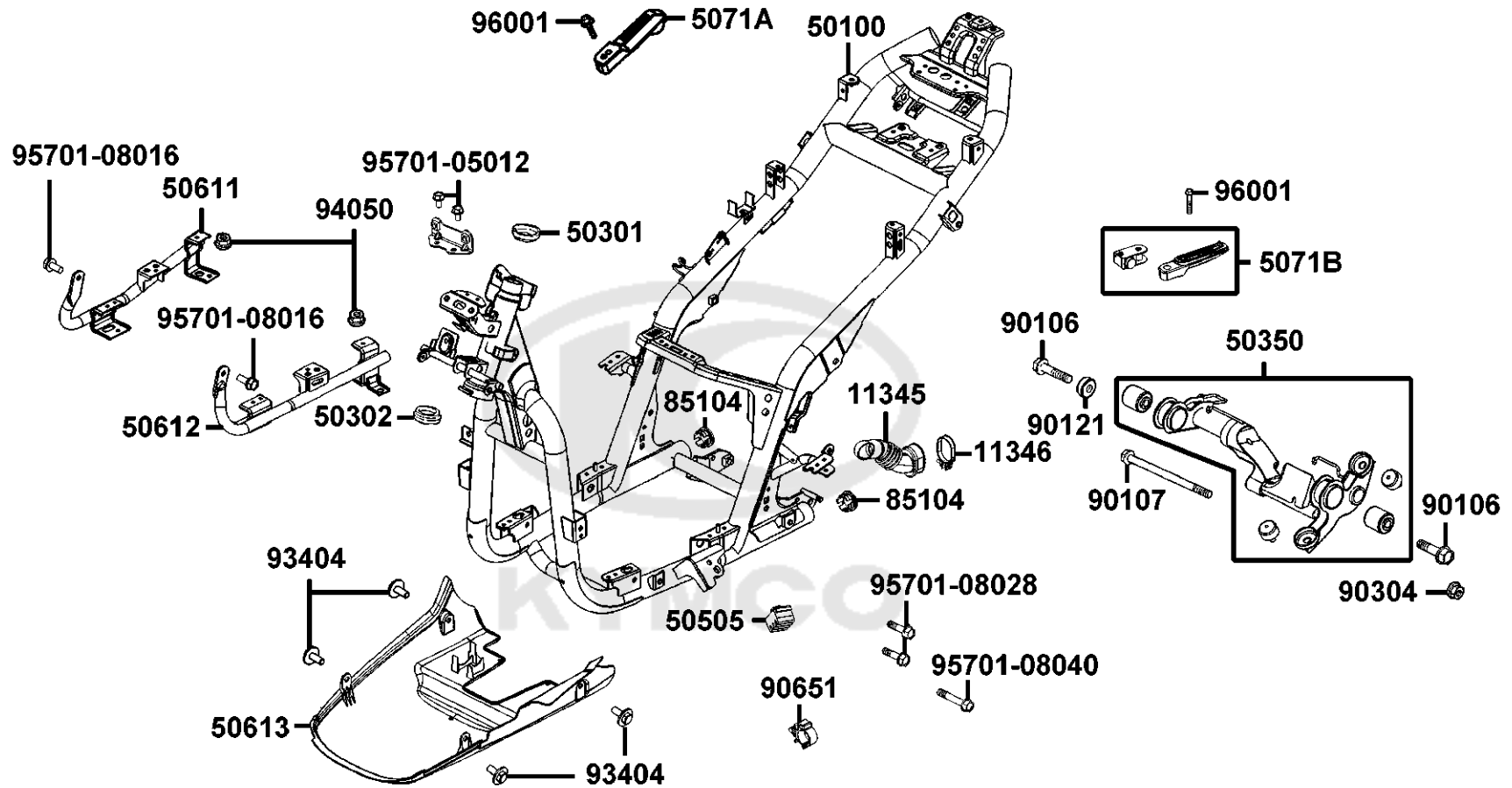
Wire Harness



Sales mark	Ref no	Part no	Description	Reg description	Regd no	F19
	95701-06014	95701-06014-08	BOLT FLANGE 6*14 (C)	BOLT FLANGE 6*14 (C)	2	
	95701-08012	95701-08012-08	BOLT FLANGE 8*12 (C)	BOLT FLANGE 8*12 (C)	1	
	95701-08012	95701-08012-08G	BOLT FLANGE 8*12 (C)	BOLT FLANGE 8*12 (C)	1	
	95701-LDC8	95701-LDC8-E10	BOLT TORQUE 6x16	BOLT TORQUE 6x16	1	
	95701-LDC8	95701-LDC8-E11	BOLT TORQUE 6x16	BOLT TORQUE 6x16	1	
	96001	96001-06016-08	BOLT FLANGE SH 6*16	BOLT FLANGE SH 6*16	1	
						



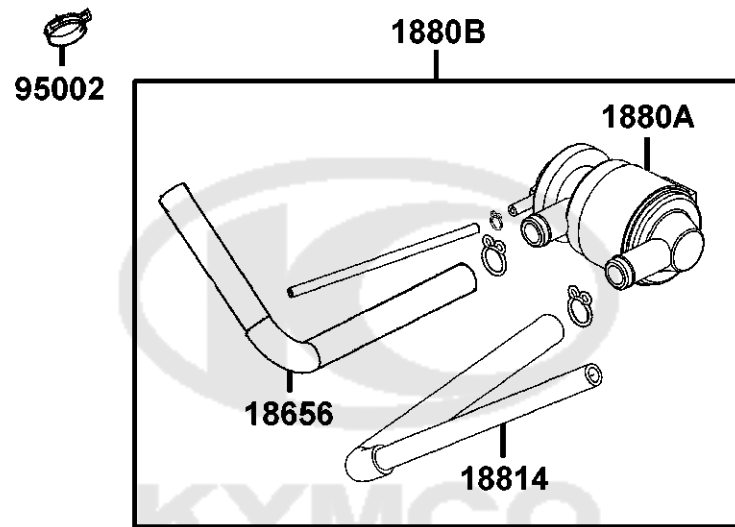
Sales mark	Ref no	Part no	Description	Reg description	Regd no	F20
	11345	11345-ALJ8-E10	DUCT L COVER	DUCT L COVER	1	
	11346	11346-KEBE-C00	BAND L COVER DUCT	BAND L COVER DUCT	1	
	50100	50100-ALJ9-E10	"BODY COMP,FRAME"	"BODY COMP,FRAME"	1	
	50301	50301-KGN7-C00	RACE UP STRG BALL	RACE UP STRG BALL	1	
	50302	50302-2H68-C00	RACE (STRG BOT) BALL	RACE (STRG BOT) BALL	1	
	50350	50350-LEJ3-B40	ENG HANGER ASSY	ENG HANGER ASSY	1	
	50505	50505-PUA3-B50	STOPPER RUBBER	STOPPER RUBBER	1	
	50611	50611-ALJ8-E10	RNFCT R FLOOR	RNFCT R FLOOR	1	
	50612	50612-ALJ9-E10	RNFCT L FLOOR	RNFCT L FLOOR	1	
**	50613	50613-ALJ8-E10	COVER UNDER	COVER UNDER	1	
	5071A	5071A-LDA6-C00	BAR STEP R ASSY	BAR STEP R ASSY	1	
	5071B	5071B-LDA6-C00	BAR STEP L ASSY	BAR STEP L ASSY	1	
	85104	85104-ALJ8-E10	STOPPER	STOPPER	1	
	90106	90106-LGB6-E10	"BOLT,FLANGE,10x55"	"BOLT,FLANGE,10x55"	2	
	90107	90107-KUDU-900	BOLT FLANGE 10*188	BOLT FLANGE 10*188	1	
	90121	90121-GFY6-C00	COLLAR DISTANCE	COLLAR DISTANCE	1	
	90304	90304-GHE8-C00	NUT U 10MM (C)	NUT U 10MM (C)	1	
	90651	90651-ALJ8-E10	"CLIP,MUDGUARD"	"CLIP,MUDGUARD"	1	
	93404	93404-06012-07	BOLT WASH 6*12	BOLT WASH 6*12	4	
	94050	94050-06080	NUT FLANGE 6MM	NUT FLANGE 6MM	5	



Sales mark	Ref no	Part no	Description	Reg description	Regd no	F20
------------	--------	---------	-------------	-----------------	---------	------------

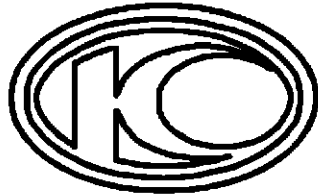
	95701-05012	95701-06012-07	BOLT FLANGE 6*12(K)	BOLT FLANGE 6*12(K)	2	
	95701-08016	95701-08016-07	BOLT FLANGE 8*16(K)	BOLT FLANGE 8*16(K)	2	
	95701-08028	95701-08028-08	BOLT FLANGE 8*28	BOLT FLANGE 8*28	2	
	95701-08040	95701-08040-08	BOLT FLANGE 8*40 (C)	BOLT FLANGE 8*40 (C)	1	
	96001	96001-06032-08	BOLT FLANGE 6*32	BOLT FLANGE 6*32	2	





Sales mark	Ref no	Part no	Description	Reg description	Regd no	F21
	18656	18656-LEJ3-E10	DUCTAICV-REED VALVE	DUCTAICV-REED VALVE	1	
	1880A	1880A-LEJ3-E10	AI/CAICV ASSY	AI/CAICV ASSY	1	
	1880B	1880B-ALJ9-E10	AICV SET ASSY	AICV SET ASSY	1	
	18814	18814-LEJ2-E10	DUCTAIR-AICV	DUCTAIR-AICV	1	
	95002	95002-KKD6-C00	CLAMP D18 TUBE	CLAMP D18 TUBE	1	





86102

AGILITY 16+

86202

Engine Oil Capacity
 Make sure to use KYMCO recommended "SIGMA" engine oil.
 Full Capacity 0.9ℓ
 At Change 0.8ℓ
 Check the oil level after oil is filled.
 Idle the engine for 3 minutes and check the oil level again.
 KYMCO

87541-KUDU

CAUTIONS
 Before starting the engine, the side stand shall be kicked up to secure safety.

87541-GAR1

CAUTIONS
 Never put any article between the rear side cover and the engine to avoid interference of riding.

87542

- Do not ride over a rocky terrain when riding.
- Do not exceed the speed specified by the rider's manual.
- Do not adjust engine temperature in any high after riding. Be sure to park the motorcycle in a place not easily reached by people.
- For riding safety and good performance, do not adjust the tire to modify the motorcycle.
- Make sure to perform the periodic maintenance and periodic inspection.

Periodic Inspection Item

Brake Performance, tire, engine oil level, lights, horn, and instrument panel.

KYANG YANG MOTOR CO., LTD.

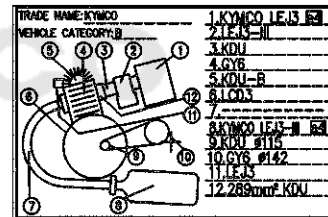
87560



86407

125

87140



87224

CAUTIONS

tire size	Front 100/90-11	Rear 120/90-11
tire width	Front 100mm/4"	Rear 120mm/4.7"
tire height	Front 2.00mm/0.08"	Rear 2.25mm/0.09"
Load Capacity	Total 150kg / Rear capacity 50kg (over load under 100kg)	

(Note: the tire pressure must not exceed 2.30kg/cm²)

Check the motor oil level with the dipstick after refilling motor oil.

87505

Sales mark	Ref no	Part no	Description	Reg description	Regd no	F22
**	86102	86102-ALG1-E00	EMB KYMCO	EMB KYMCO	1	
**	86202	86202-ALJ8-E10	EMB BODY COVER	EMB BODY COVER	1	
**	86407	86407-ALJ8-E10	STRIPE METER	STRIPE METER	1	
**	87140	87140-ALJ9-E10	EMB MARK 125	EMB MARK 125	1	
**	87505	87505-ALJ8-E10	LABEL TIRE	LABEL TIRE	1	
**	87541-KUDU	87541-KUDU-E00	LABEL OIL CAP	LABEL OIL CAP	1	



PART NO. INDEX

PART NO.	VERSION	PAGE	PART NO.	VERSION	PAGE	PART NO.	VERSION	PAGE
11000			12191-GFY6-E90	1	E03	1453A-GFY6-W10	1	E03
11100-KUDU-C00	6	E01	12200-KUDU-C10	1	E02	14610-KUDU-C00	1	E03
11102-1G87-C00	3	E01	12209-GDB4-C00	2	E02	14610-KUDU-C0B	0	E03
11192-KUDU-E90	1	E01	12211-KUDU-W10	4	E02	14610-KUDU-C10	1	E03
11200-LCD3-C00	2	E01	12251-GFY6-C00	1	E02	14711-KUDU-C00	1	E02
11203-GGC7-301	2	F16	1231A-KHC4-C11	0	E02	14721-KUDU-C00	1	E02
11203-GGC7-W10	2	E01	12361-GFY6-C00	5	E04	14751-KUDU-C10	2	E02
11204-KUDU-C00	1	E09	13000			14761-KUDU-C10	2	E02
11206-LCD3-C00	0	E01	13000-KUDU-C00	9	E03	14771-GDB4-C00	2	E02
11208-LFC3-E10	2	E04	13011-GFY6-C00	1	E03	14775-MFA6-C00	5	E02
11209-LCD3-E00	3	F13	13101-KUDU-C00	1	E03	14781-MFA6-C00	4	E02
11211-KHB4-C00	0	F13	13111-3D84-C00	1	E03	15000		
11331-LCD3-E00	5	E04	14000			15100-KFB7-C00	1	E07
11341-ALJ8-E10	0	E01	14100-ALJ9-E10	0	E02	15133-GFY6-W10	1	E07
11341-ALJ8-E10	4	E01	14401-KUDU-C00	1	E03	15141-GFY6-C00	1	E07
11345-ALJ8-E10	2	F20	14431-KUDU-W10	4	E02	15421-1G07-W10	1	E04
11346-KEBE-C00	1	F20	14450-GFY6-W10	1	E02	15426-GAE1-C00	1	E04
11381-KHB4-C00	0	E01	14452-GFY6-W10	1	E02	15651-KUDU-W10	5	E04
11394-KUDU-E90	1	E04	14510-KUDU-C00	1	E03	15711-KUDU-C00	1	E07
11395-KHB4-C00	0	E01	14510-KUDU-C0B	0	E03	16000		
12000			14520-GFY6-C00	1	E03	16001-KEC3-900	3	E05
12100-GFY6-C00	6	E03	14523-GFY6-E90	1	E03	16012-KEC3-C01	0	E05

PART NO. INDEX

PART NO.	VERSION	PAGE	PART NO.	VERSION	PAGE	PART NO.	VERSION	PAGE
16019-KUDU-C00	0	E05	16183-KEC3-C00	0	E05	1768D-ALJ9-E10	1	F10
1603A-LFC3-E10	0	E05	16196-KKC8-500	2	E05	17910-KHD8-C01	0	F03
16051-KEC3-C00	0	E05	16201-GFY6-E90	0	E02			
16053-KEC3-C00	0	E05	16211-GFY6-W10	1	E02	18000		
16056-KKC8-500	1	E05	16700-KHE2-900	5	F10			
16068-KEC3-C00	0	E05	1691A-ALJ9-E10	2	F10	18291-GGA7-C01	1	F14
16073-KKC8-500	3	E05				18291-KKC4-C00	0	F14
16079-ALG1-E10	0	E05	17000			18292-KEBE-C00	0	F14
16087-KEC3-C00	3	E05				18293-KECE-C00	0	F14
16088-LDF7-C00	0	E05	1711A-ALJ9-E10	0	E02	18294-PUA3-B50	1	F14
16093-5102-E10	0	E05	17200-LFC4-E10	3	F13	18295-KECE-900	0	F14
16095-KEC3-900	2	E05	17239-KHB4-C00	0	F13	18306-ALJ8-E10	3	F14
16100-ALJ9-E10	1	E05	1723A-LFC4-E10	2	F13	1830A-ALJ9-E90	0	F14
16110-KEC3-900	1	E05	1723B-LFC4-E10	0	F13	18318-ALJ8-E10	5	F14
16116-KEC3-M30	0	E05	1723C-LEJ3-E10	0	F13	18325-LFC3-E10	2	F14
16117-KEC3-900	0	E05	17254-KACA-P00	1	F13	18646-LDC8-E10	1	E02
16124-KEC3-900	0	E05	17256-GFY6-C00	4	E02	18656-LEJ3-E10	0	F21
16134-KEC3-900	0	E05	17257-LFC4-E10	0	F13	1880A-LEJ3-E10	2	F21
16138-KGC5-900	0	E05	1737A-LCD3-E00	0	F13	1880B-ALJ9-E10	2	F21
16142-KEC3-C00	0	E05	17500-ALJ9-E10	4	F10	18814-LEJ2-E10	0	F21
16154-KEC3-C00	0	E05	1751A-ALJ8-E10	7	F10			
16157-KEC3-900	0	E05	1755A-ALJ8-E10	2	F05	19000		
16163-KEC3-900	0	E05	17620-ALJ9-E10	0	F19			
16180-KEC3-C00	0	E05	17623-ALJ8-E10	2	F19	19411-KNBN-C10	2	F10
16181-KEC3-C00	1	E05	1768B-ALJ9-E10	1	F10	19510-KFB7-C00	0	E08
16183-KEC3-900	0	E05	1768C-ALJ9-E10	2	F10	19610-KUDU-C10	2	E08

PART NO. INDEX

PART NO.	VERSION	PAGE	PART NO.	VERSION	PAGE	PART NO.	VERSION	PAGE
19625-KUDU-C00	1	E02				28126-GFY6-C10	1	E07
1962A-KKE3-C00	0	E08	23000			2812A-GFY6-C10	2	E07
1963A-LDF7-E10	1	E08				28211-KUDU-W10	4	E06
21000			2301A-LCD4-C00	1	E06	2823A-KNBN-C00	1	E01
			23100-KEC4-C00	2	E06	28250-LDA6-C00	1	E01
			23100-KEC4-C0E	0	E06	28253-GBN2-602	1	E01
21200-LEJ8-C00	2	E09	23200-GFY6-C00	3	E06	28255-GFS6-C00	5	E01
21395-LCD3-E90	0	E09	23220-KFBF-C00	1	E06	28281-GBN2-C00	1	E01
22000			23225-GHC8-C00	1	E06	28300-LEH2-B50	1	F15
			23226-GHC8-C00	1	E06	30000		
			23233-GCW3-C00	1	E06			
22101-LCD3-C00	3	E06	23237-GFY6-C00	1	E06	30400-ALJ9-E10	0	F19
22102-KUDU-E80	1	E06	23238-GFY6-C00	1	E06	3051A-LLF5-C00	1	F19
22105-LGS6-E10	0	E06	23411-ALJ8-E10	4	E09	31000		
22110-KUDU-E80	0	E06	23420-ALJ8-E10	3	E09			
22121-LFC4-315	0	E06	23432-ALJ8-E10	4	E09			
22121-LFC4-E10	2	E06	2343A-ALJ8-E10	1	E09	31100-LHA2-M30	3	E08
22131-GFY6-C00	3	E06	28000			31110-LHA2-M30	1	E08
22132-KBN2-315	0	E06				31120-LHA2-M30	2	E08
22132-KBN2-C00	3	E06	28101-GFY6-C00	1	E07	31200-ALJ8-E10	1	E07
22300-LCD4-C00	0	E06	28102-GFY6-C00	1	E07	31500-GFY6-C00	1	F11
22350-GFY6-C00	1	E06	28110-GFY6-C10	1	E07	31600-LCD3-C01	3	F19
22530-LCD3-C00	0	E06	28120-GFY6-C10	1	E07	31601-LFC2-E10	1	F19
			28125-4F26-C00	1	E07			
			28125-GFY6-C10	3	E07			

PART NO. INDEX

PART NO.	VERSION	PAGE	PART NO.	VERSION	PAGE	PART NO.	VERSION	PAGE
			34908-GGA7-C00	0	F02	37215-LFC2-E1A	0	F02
			34908-MKB9-C00	0	F02	37220-ALJ9-E10	0	F02
						37224-ALJ9-E10	0	F02
			35000			37280-ALJ9-E10	0	F02
32100-ALJ9-E10	2	F19				37802-GGA7-C00	1	F10
32412-ALJ8-E10	1	E04				3780A-ALJ8-E10	4	F10
32961-KUDU-C00	5	E04	35010-ALJ8-E10	5	F19			
			35102-KGBG-91B	1	F19	38000		
			35111-KUDU-305	0	F19			
			35111-KUDU-306	0	F19			
			35151-LGB5-E10	1	F03	38110-KHB4-E0A	0	F19
33000			35152-KGBG-C00	0	F03	38301-GGS7-C00	3	F19
33100-ALJ8-E10	4	F01	3515A-LGB5-E10	3	F03			
33108-ALJ8-E10	0	F01	3515A-LGB5-EV0	0	F03	42000		
33400-ALJ8-E10	3	F17	35201-LGB5-E10	1	F03			
33450-ALJ8-E10	3	F17	35202-KGBG-C00	0	F03	42311-KHB4-C00	0	F16
33700-ALJ8-E10	4	F18	3520A-LGB5-E11	0	F03	42312-LEJ2-E10	1	F16
33708-ALJ8-E10	0	F18	35340-KNBN-901	1	F04	42601-ALJ8-E10	1	F08
33710-ALJ8-E10	0	F18	35350-KNBN-901	1	F04	42710-ALJ8-E10	1	F08
33720-LEJ2-E10	0	F18	35400-ALG1-E10	1	F19	42753-0A01-C00	1	F07
33741-LEH3-C10	1	F18	35850-KHD8-C00	1	F19			
						43000		
			37000					
34300-KKE3-900	3	E05				43105-LFC4-305	1	F04
34301-KKE3-900	2	E05				43126-ALJ8-E10	0	F04
34901-LDC8-E10	1	F01	37200-ALJ9-E10	0	F02	43156-LFC3-E10	2	F16
34905-LCA5-E00	0	F18	37211-LFC2-E1A	1	F02	43200-LFC4-E80	1	F04
34906-KPCP-C00	0	F18	37213-LFC2-E1A	0	F02			

PART NO. INDEX

PART NO.	VERSION	PAGE	PART NO.	VERSION	PAGE	PART NO.	VERSION	PAGE
43351-LFC3-E80	2	F08	45517-KFAF-910	1	F04	51000		
43500-ALJ8-E10	0	F04						
44000			50000					
			50100-ALJ9-E10	7	F20	51401-LFC3-E10	0	F06
44301-LEJ2-E11	1	F07	50301-KGN7-C00	2	F20	5140A-ALJ8-E10	0	F06
44301-LEJ2-E13	1	F07	50302-2H68-C00	2	F20	51410-LEJ2-E10	0	F06
44311-LFC2-E10	2	F07	50306-1F96-C00	1	F06	51412-LEJ2-E10	0	F06
44601-LFC2-E10	2	F07	50325-ALJ8-E10	1	F12	51420-LFC2-E10	1	F06
44620-KFLF-C00	1	F07	50326-ALJ8-E10	1	F12	51422-LEJ2-E10	0	F06
44680-4L10-C00	1	F07	50350-LEJ3-B40	0	F20	51427-LEJ2-E10	0	F06
44710-LFC4-E91	0	F07	50502-LDF7-C00	1	F15	51428-LEJ2-E10	0	F06
44800-LKD1-E10	2	F07	50505-LCB9-C00	1	F15	51429-LFC3-E10	0	F06
44830-LCD3-C00	0	F02	50505-PUA3-B50	2	F20	51437-LEJ2-E10	0	F06
45000			5050A-ALJ9-E10	1	F15	5150A-ALJ8-E10	0	F06
			50530-ALJ8-E10	2	F15	51520-LEJ2-E10	0	F06
			50531-KEB7-C00	1	F15	52000		
45105-LFC2-305	0	F04	50535-KEB7-W10	3	F15			
45121-LFC2-E80	1	F07	50550-KEB7-C00	1	F15	52000-ALJ8-E10	2	F16
45126-LFC2-E10	1	F04	50611-ALJ8-E10	3	F20	52400-ALJ8-E10	1	F16
45156-KNBN-C00	1	F06	50612-ALJ9-E10	0	F20			
45156-LCB9-B21	0	F06	50613-ALJ8-E10	4	F20	53000		
45200-LFC2-E80	1	F04	50650-LFC2-E10	3	F18			
45500-ALJ8-E10	1	F04	50651-LFC4-E10	1	F18	53100-LFC3-E10	3	F03
45513-KCCC-900	0	F04	5071A-LDA6-C00	2	F20	53102-ALJ8-E10	2	F03
45513-LGR5-E10	0	F04	5071B-LDA6-C00	2	F20	53105-ALJ8-E10	2	F03

PART NO. INDEX

PART NO.	VERSION	PAGE	PART NO.	VERSION	PAGE	PART NO.	VERSION	PAGE
53125-GEN5-C00	1	F03	61110-ALJ8-E10	0	F05			
53140-ALJ8-E10	1	F03	61110-ALJ8-E10	1	F05	77000		
53166-ALJ8-E10	1	F03						
53175-KTCT-C01	0	F04	64000			77200-ALJ8-E10	0	F09
53178-KNBN-C00	0	F04				77200-ALJ8-E10	2	F09
53200-LEJ2-E10	2	F06	6421A-ALJ8-E11	2	F03	77232-KCAC-C00	2	F12
53204-ALJ8-E10	0	F03	64301-ALJ8-E10	0	F05	77235-KGC4-C00	2	F19
53204-ALJ8-E10	1	F03	64301-ALJ8-E10	1	F05	77240-LFC2-E10	5	F19
53205-ALJ8-E10	0	F03	64305-ALJ8-E10	0	F05			
53205-ALJ8-E10	1	F03	64305-ALJ8-E10	3	F05	80000		
53206-ALJ8-E10	0	F03	64306-ALJ8-E10	0	F05			
53206-ALJ8-E10	2	F03	64306-ALJ8-E10	3	F05	80100-ALJ8-E11	0	F18
53207-ALJ8-E10	2	F03	64307-ALJ8-E10	0	F05	80100-ALJ8-E11	2	F18
53208-ALJ8-E10	2	F03	64307-ALJ8-E10	1	F05	80101-ALJ8-E10	0	F18
53211-GFY6-C00	1	F06	64308-ALJ8-E10	0	F05	80101-ALJ8-E10	3	F18
53212-2L50-C00	1	F06	64308-ALJ8-E10	1	F05	80102-ALJ8-E10	0	F18
53214-2L50-C00	5	F06	6430A-ALJ8-E10	4	F05	80102-ALJ8-E10	2	F18
53215-2L50-C00	1	F06	6430B-ALJ8-E10	4	F05	80105-ALJ8-E10	0	F18
			64316-LCB9-C10	4	F05	80105-ALJ8-E10	3	F18
61000			64316-LCB9-C10	5	F05	8015A-ALJ8-E10	0	F12
			6431A-ALJ8-E10	2	F05	8015A-ALJ8-E10	2	F12
61100-ALJ8-E10	1	F06	64400-ALJ8-E10	2	F05			
61101-ALJ8-E10	0	F06				81000		
61101-ALJ8-E10	1	F06	75000					
61102-ALJ8-E10	0	F06				81131-ALJ8-E10	0	F05
61102-ALJ8-E10	1	F06	75581-6C73-C00	1	F05	81131-ALJ8-E10	3	F05

PART NO. INDEX

PART NO.	VERSION	PAGE	PART NO.	VERSION	PAGE	PART NO.	VERSION	PAGE
81132-ALJ8-E10	0	F05	83600-ALJ8-E10	1	F12	87541-GAR1-C01	0	F22
81132-ALJ8-E10	2	F05	83611-ALJ8-E10	2	F12	87541-GAR1-C01	1	F22
81134-KGBG-C00	2	F05	8361A-ALJ8-E10	1	F12	87541-KUDU-E00	1	F22
81141-ALJ8-E10	0	F05	8361A-ALJ8-E10	3	F12	87542-GAR1-C01	2	F22
81141-ALJ8-E10	3	F05	83620-ALJ8-E10	0	F12	87560-GFY6-E11	3	F22
81142-ALJ8-E10	1	F05	83620-ALJ8-E10	1	F12			
81143-ALJ8-E10	2	F05				88000		
81144-ALJ8-E10	2	F05	84000					
81146-ALJ8-E10	1	F05				88110-LEB5-C11	2	F03
81200-ALJ8-E10	0	F12	84707-LFC3-B20	0	F18	88120-LEB5-C11	2	F03
81200-ALJ8-E10	2	F12				89000		
81260-ALJ9-E10	2	F12	85000					
83000			85104-ALJ8-E10	1	F20	89010-KGBG-C00	1	F09
83500-ALJ8-E10	0	F12	86000			90000		
83500-ALJ8-E10	1	F12						
8351A-ALJ8-E10	1	F12	86102-ALG1-E00	2	F22	90001-GBHB-C00	1	E03
8351A-ALJ8-E10	2	F12	86202-ALJ8-E10	0	F22	90001-GFY6-C00	4	E07
83520-ALJ8-E10	0	F12	86407-ALJ8-E10	0	F22	90005-KAW1-901	1	E03
83520-ALJ8-E10	1	F12				9000A-KTDT-C03	0	E01
83550-KEC8-C00	4	F06	87000			9000A-LEJ2-E10	0	E01
83551-KEC8-C10	4	F01				90012-3C33-C00	1	E02
83551-KEC8-C10	4	F06	87140-ALJ9-E10	0	F22	90021-GFY6-C10	0	F14
83551-KKAK-C00	0	F03	87224-ALJ9-E10	0	F22	90021-GFY6-C11	0	F14
83600-ALJ8-E10	0	F12	87505-ALJ8-E10	2	F22	90031-KUDU-C00	5	E01

PART NO. INDEX

PART NO.	VERSION	PAGE	PART NO.	VERSION	PAGE	PART NO.	VERSION	PAGE
90031-KUDU-C01	0	E01	90206-0A01-C00	2	E02	90544-LEJ2-E10	0	F06
90032-KUDU-C00	5	E01	90301-GFY6-C00	2	F14	90545-3L00-C00	2	F04
90033-GFY6-C00	2	E02	90302-GFY6-C00	2	F12	90651-ALJ8-E10	1	F20
90033-GFY6-C10	2	E02	90302-LLB1-C00	2	F03	90652-GFY6-C00	1	F13
90105-KCR3-001	3	F07	90302-LLB1-C01	1	F03	90652-LCA4-C10	6	F03
90105-KCR3-001	3	F08	90302-SDA4-C00	2	F05	90652-LCA4-C10	6	F18
90106-GEN5-901	1	F03	90302-SDA4-C00	2	F12	90653-LKB9-900	7	F05
90106-KFC2-900	2	F03	90302-SDA4-C01	0	F05	90701-GFY6-C00	6	E07
90106-KFC2-900	2	F12	90302-SDA4-C01	0	F12			
90106-LGB6-E10	1	F20	90304-4H38-C00	1	E02	91000		
90107-KUDU-900	5	F20	90304-GHE8-C00	1	F03			
90108-KFA6-E00	1	F15	90304-GHE8-C00	1	F20	91003-KDS4-C00	1	E09
90110-GLW0-C00	0	F05	90305-GHK8-C00	2	F06	91009-GLE0-C00	1	E09
90110-KEB7-C00	1	F06	90305-KNBN-C02	0	F08	91014-LLJ3-C00	1	F06
90111-1G87-C00	6	F12	90306-LKL5-E30	1	F07	91015-LLJ3-C00	1	F06
90111-1G87-C01	1	F12	90403-KUDU-C00	1	E07	91051-KFBF-C00	1	F16
90112-PUA3-B50	0	F19	90426-KNBN-C00	1	E06	91101-1K79-C00	1	E07
90114-GDM4-C00	0	F13	90426-KNBN-C01	1	E06	91104-GFY6-C00	1	E07
90116-LEJ2-E10	0	F06	90440-1F66-C00	1	E08	91104-KGN7-671	0	E01
90120-ALK1-C00	0	F14	90441-GFY6-C00	1	E06	91201-GFY6-C00	1	E01
90121-GFY6-C00	1	F20	90451-GBN2-C00	10	E01	91202-KKJ9-C00	5	E01
90131-GLW0-C01	0	F04	90465-MDC4-C00	1	E02	91211-KEBE-C00	1	E06
90131-KFAF-C01	0	F04	90474-3C33-C00	1	E01	91251-LEJ2-E10	0	F06
90145-9A61-C00	1	F04	90501-KNBN-C00	1	F08	91252-0L30-004	0	F07
90201-GFY6-901	1	E07	9052A-GFY6-C00	5	E01	91252-0L30-C00	0	F07
90202-1G87-C00	1	E06	9052A-PUA3-B50	1	E01	91254-LEJ2-E10	0	F06

PART NO. INDEX

PART NO.	VERSION	PAGE	PART NO.	VERSION	PAGE	PART NO.	VERSION	PAGE
91255-LDC8-E10	5	E09	93892-05012-18	0	E05	94050-06080	2	E07
91258-4L10-007	1	F07	93903-25480	1	F13	94050-06080	2	F09
91302-0A01-C00	10	E04	93903-34320	0	F02	94050-06080	2	F19
91306-1E05-C00	1	E03	93903-34380	6	F03	94050-06080	2	F20
91307-0E35-W10	1	E04	93903-34380	6	F05	94050-08080	4	E02
91351-6B42-C00	1	E06	93903-34380	6	F12	94050-12080	1	E06
			93903-34380	6	F17	94050-12080	1	E08
92000			93903-34380	6	F18	94101-06200	1	F14
			93903-35220	4	F01	94101-06700	1	F14
92101-05012-0H	2	E08	93903-35280	1	F02	94111-06800	1	E05
92900-06060-0B	2	E02	93903-35280	1	F03	94111-06800	1	F13
			93903-35280	1	F18	94111-06800	1	F14
93000			93903-GFY6-C00	2	F01	94301-10160	4	E01
			93903-GFY6-C00	2	F05	94301-10160	4	E02
93404-06012-07	5	F12	93903-GFY6-C00	2	F12	94301-10160	4	E03
93404-06012-07	5	F13	93903-GFY6-C00	2	F18	94301-10160	4	E04
93404-06012-07	5	F18	93903-GFY6-C01	1	F01	94301-10200	4	E01
93404-06012-07	5	F20	93903-GFY6-C01	1	F05	94511-14000	10	E01
93404-06016-07	1	F18	93903-GFY6-C01	1	F12	94520-40000	1	F16
93404-06020-07	4	F05	93903-GFY6-C01	1	F18	94540-50029	0	E05
93500-04010-08	0	E05				94591-LDC8-E10	1	E01
93500-04014-1A	0	E05	94000			94591-LGR5-E10	1	F05
93500-05012-08	0	E05				94601-15000	10	E03
93500-05025	0	F03	94050-05080	6	F18	94608-LEJ2-E10	0	F06
93600-04012-1G	1	F04	94050-06080	2	E02			
93891-05016-08	0	E05	94050-06080	2	E05			

PART NO. INDEX

PART NO.	VERSION	PAGE	PART NO.	VERSION	PAGE	PART NO.	VERSION	PAGE		
95000			95701-08028-08	0	F20	96001-06018-08	1	E08		
			95701-08040-08	3	F20	96001-06022-08	2	E08		
			95701-08050-07	1	F16	96001-06025-00	0	F04		
	95002-02120	1	F13	95701-LDC8-E10	0	F19	96001-06025-08	4	E07	
	95002-50000	1	F13	95701-LDC8-E11	0	F19	96001-06025-08	4	E08	
	95002-KKD6-C00	1	F21	95801-08032-07	1	F16	96001-06028-08	1	E04	
	9500A-35250-20	0	E05	95801-08040-08	4	F06	96001-06032-08	1	F20	
	95012-KGE2-C10	0	F09	95801-10025-07	1	F15	96001-06045-08	1	E01	
	95701-06008-08	0	F13	95801-10035-08	1	F16	96001-06050-08	1	E01	
	95701-06012-07	3	F06	96000			96001-06100-08	2	E02	
	95701-06012-07	3	F20		96001-06100-08	2	E04			
	95701-06012-08	3	E04		96001-06110-08	1	E04			
	95701-06012-08	3	F12		96001-06008-07	1	F14	96100-60020-00	1	E09
	95701-06012-08	3	F19		96001-06010-02	1	F14	96100-62020-00	1	E01
	95701-06014-08	0	F19		96001-06012-07	0	F16	96100-63030-00	1	E01
	95701-06022-07	3	F15		96001-06012-08	3	E01	96120-63010-10	0	F07
	95701-06025-07	3	F06		96001-06012-08	3	E04	98000		
	95701-06025-07	3	F14		96001-06012-08	3	E07			
	95701-06025-08	2	E02		96001-06012-08	3	F18			
	95701-06035-08	1	E02		96001-06012-08G	0	E01		98056-5771R-00	1
95701-06050-08	1	E02	96001-06012-08G		0	E04	98200-11000		1	F11
95701-08012-08	2	E01	96001-06012-08G		0	E07	98200-11500		2	F11
95701-08012-08	2	F19	96001-06012-08G		0	F18				
95701-08012-08G	1	E01	96001-06016-08		6	E07				
95701-08012-08G	1	F19	96001-06016-08		6	E08				
95701-08016-07	0	F20	96001-06016-08		6	F19				