

# PARTS CATALOGUE



## SCOOTERS

KF40CB(GR)

Agility 16+ 200i ABS EURO 4



Release Date : 2019/11/04  
Print Date : 2020/11/24

## ABOUT THIS PARTS LIST

- This parts list is compiled all service parts for model KF40CB(GR).
- Any difference between color chart and motorcycle will be revised according to motorcycle.
- The Mark:
  1. Marking "\*\*\*" must add color code in the end before ordering parts.
  2. Marking "#" are parts with modification, Please find the details from e-Parts system.
- When modification or additions to this parts list are made a revised edition at an appropriate time.

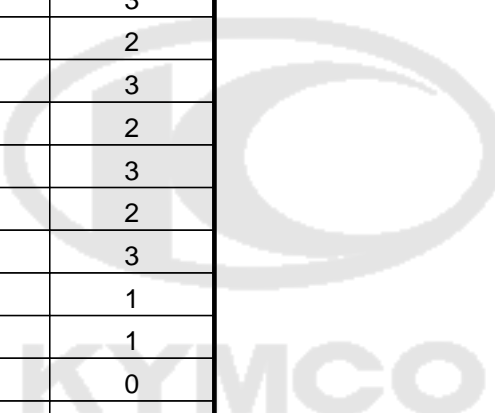


# CONTENTS

● ABOUT THIS PARTS LIST .....	1
● COLOR CHART OF KF40CB(GR) .....	3
● CONTENTS-ENGINE GROUP .....	9
● CONTENTS-FRAME GROUP .....	10
● ENGINE PARTS LIST .....	13
● FRAME PARTS LIST .....	41
● PART NO. INDEX .....	103

NO	MODEL			COLOR CHART OF KF40CB(GR)			
	PHOTO NO			NO. 1	NO. 2	NO. 3	NO. 4
	BASIC COLOR			Mat Light Blue	Black	Pearly White	
	CODE			Mat Light Blue	Black	Pearly White	
	PARTS NAME	PARTS NO.	VERSION	CB645FA	NH001SA	NH193PA	NH263FB
1	COVER HANDLE FRONT	53205-ALJ8-E10	1	61P	N1P	NVP	HUP
2	COVER FR	64301-ALJ8-E10	1				
3	COVER R SIDE SKIRT	64307-ALJ8-E10	1				
4	COVER L SIDE SKIRT	64308-ALJ8-E10	1				
5	COVER R BODY	83500-ALJ8-E10	1				
6	COVER L BODY	83600-ALJ8-E10	1				
7	FENDER FR INNER	61100-ALJ8-E10	1	DHJ	D02	D1S	D3F
8	COVER COMP L SIDE	11341-ALJ8-E10	4	HUA			
9	CARRIER ASSY REAR	81200-ALJ8-E10	2	HUP			
10	FR HANDLE COVER	53204-ALJ8-E10	1	HUS			
11	TAIL CAP MUFFLER	18306-ALJ8-E10	0	M3A			
12	LEVER L STRG HANDLE	53178-KNBN-C00	0	N1A			
13	WHEEL FR CAST	42601-AED9-E10	0	N1R			
14	WHEEL FR CAST	44601-AED9-E10	0				
15	HEAT GUARD FUEL	17582-ALJ8-E10	0				
16	COLLAR FUEL CAP	17623-ALJ8-E10	2				
17	CASE BATTERY	50325-ALJ8-E10	1				
18	COVER BATTERY	50326-AED9-E10	0				
19	COVER BATTERY	50326-ALJ8-E10	1				
20	COVER UNDER	50613-ALJ8-E10	4				
21	COVER RR HANDLE	53206-ALJ8-E10	2				
22	PROTECTOR R HANDLE	53207-ALJ8-E10	2				
23	PROTECTOR L HANDLE	53208-ALJ8-E10	2				
24	FENDER FR INNER	61110-ALJ8-E10	1				
25	SKIRT R SIDE	64305-ALJ8-E10	3				
DATE OF STARTING-SALES							
DATE OF END-SALES							

NO	MODEL			COLOR CHART OF KF40CB(GR)			
	PHOTO NO			NO. 5			
	BASIC COLOR			Mat Silver Crystal			
	CODE			Mat Silver Crystal			
	PARTS NAME	PARTS NO.	VERSION	NH263FB			
1	COVER HANDLE FRONT	53205-ALJ8-E10	1	HUP			
2	COVER FR	64301-ALJ8-E10	1				
3	COVER R SIDE SKIRT	64307-ALJ8-E10	1				
4	COVER L SIDE SKIRT	64308-ALJ8-E10	1				
5	COVER R BODY	83500-ALJ8-E10	1				
6	COVER L BODY	83600-ALJ8-E10	1				
7	FENDER FR INNER	61100-ALJ8-E10	1	D3F			
8	COVER COMP L SIDE	11341-ALJ8-E10	4	HUA			
9	CARRIER ASSY REAR	81200-ALJ8-E10	2				
10	FR HANDLE COVER	53204-ALJ8-E10	1	HUP			
11	TAIL CAP MUFFLER	18306-ALJ8-E10	0	HUS			
12	LEVER L STRG HANDLE	53178-KNBN-C00	0	M3A			
13	WHEEL FR CAST	42601-AED9-E10	0	N1A			
14	WHEEL FR CAST	44601-AED9-E10	0				
15	HEAT GUARD FUEL	17582-ALJ8-E10	0	N1R			
16	COLLAR FUEL CAP	17623-ALJ8-E10	2				
17	CASE BATTERY	50325-ALJ8-E10	1				
18	COVER BATTERY	50326-AED9-E10	0				
19	COVER BATTERY	50326-ALJ8-E10	1				
20	COVER UNDER	50613-ALJ8-E10	4				
21	COVER RR HANDLE	53206-ALJ8-E10	2				
22	PROTECTOR R HANDLE	53207-ALJ8-E10	2				
23	PROTECTOR L HANDLE	53208-ALJ8-E10	2				
24	FENDER FR INNER	61110-ALJ8-E10	1				
25	SKIRT R SIDE	64305-ALJ8-E10	3				
DATE OF STARTING-SALES							
DATE OF END-SALES							

NO	MODEL			COLOR CHART OF KF40CB(GR)							
	PHOTO NO			NO. 1	NO. 2	NO. 3	NO. 4				
	BASIC COLOR			Mat Light Blue	Black	Pearly White					
	CODE			Mat Light Blue	Black	Pearly White					
	PARTS NAME	PARTS NO.	VERSION	CB645FA	NH001SA	NH193PA	NH263FB				
26	SKIRT L SIDE	64306-ALJ8-E10	3	 N1R							
27	MOLD R FRONT ASSY	6430A-ALJ8-E10	4								
28	MOLDING FRONT COMP	6430B-ALJ8-E10	4								
29	PLUG FLOOR	64316-LCB9-C10	5								
30	FLOOR ASSY PANEL	6431A-ALJ8-E10	2								
31	COWL ASSY UNDER	64400-ALJ8-E10	2								
32	FENDER RR TIRE	80100-ALJ8-E11	2								
33	FENDER RR INNER	80101-ALJ8-E10	3								
34	LID MAINT TAIL LIGHT	80102-ALJ8-E10	2								
35	FENDER RR	80105-ALJ8-E10	3								
36	COVER ASSY CENTER	8015A-ALJ8-E10	2								
37	LEG SHIELD UP	81131-ALJ8-E10	3								
38	CAP LEG SHIELD UP	81132-ALJ8-E10	2								
39	LID INNER BOX	81141-ALJ8-E10	3								
40	HING LID INNER ASSY	8114A-ALJ8-E10	1								
41	"LID,LUG.BOX"	81251-AAD3-C00	1								
42	BOX LUGGAGE	81260-ALJ8-E10	0								
43	COVER R RR SIDE	8351A-ALJ8-E10	2								
44	LID R BODY COVER	83520-ALJ8-E10	1								
45	COVER L RR SIDE	8361A-ALJ8-E10	3								
46	LID L BODY COVER	83620-ALJ8-E10	1								
47	CUSHION ASSY RR	52400-ALJ8-E10	1					N1S			
48	FORK ASSY R FR	51400-LFC3-E10	0					NEA			
49	BOTTOM CASE RH	51420-LFC2-E10	1								
50	FORK ASSY LH FR	51500-AED9-E10	1								
DATE OF STARTING-SALES											
DATE OF END-SALES											

NO	MODEL			COLOR CHART OF KF40CB(GR)			
	PHOTO NO			NO. 5			
	BASIC COLOR			Mat Silver Crystal			
	CODE			Mat Silver Crystal			
	PARTS NAME	PARTS NO.	VERSION	NH263FB			
26	SKIRT L SIDE	64306-ALJ8-E10	3	N1R			
27	MOLD R FRONT ASSY	6430A-ALJ8-E10	4				
28	MOLDING FRONT COMP	6430B-ALJ8-E10	4				
29	PLUG FLOOR	64316-LCB9-C10	5				
30	FLOOR ASSY PANEL	6431A-ALJ8-E10	2				
31	COWL ASSY UNDER	64400-ALJ8-E10	2				
32	FENDER RR TIRE	80100-ALJ8-E11	2				
33	FENDER RR INNER	80101-ALJ8-E10	3				
34	LID MAINT TAIL LIGHT	80102-ALJ8-E10	2				
35	FENDER RR	80105-ALJ8-E10	3				
36	COVER ASSY CENTER	8015A-ALJ8-E10	2				
37	LEG SHIELD UP	81131-ALJ8-E10	3				
38	CAP LEG SHIELD UP	81132-ALJ8-E10	2				
39	LID INNER BOX	81141-ALJ8-E10	3				
40	HING LID INNER ASSY	8114A-ALJ8-E10	1				
41	"LID,LUG.BOX"	81251-AAD3-C00	1				
42	BOX LUGGAGE	81260-ALJ8-E10	0				
43	COVER R RR SIDE	8351A-ALJ8-E10	2				
44	LID R BODY COVER	83520-ALJ8-E10	1				
45	COVER L RR SIDE	8361A-ALJ8-E10	3				
46	LID L BODY COVER	83620-ALJ8-E10	1				
47	CUSHION ASSY RR	52400-ALJ8-E10	1	N1S			
48	FORK ASSY R FR	51400-LFC3-E10	0	NEA			
49	BOTTOM CASE RH	51420-LFC2-E10	1				
50	FORK ASSY LH FR	51500-AED9-E10	1				
DATE OF STARTING-SALES							
DATE OF END-SALES							

NO	MODEL			COLOR CHART OF KF40CB(GR)			
	PHOTO NO			NO. 1	NO. 2	NO. 3	NO. 4
	BASIC COLOR			Mat Light Blue	Black	Pearly White	
	CODE			Mat Light Blue	Black	Pearly White	
	PARTS NAME	PARTS NO.	VERSION	CB645FA	NH001SA	NH193PA	NH263FB
51	BOTTOM CASE L	51520-AED9-E10	1	NEA			
52	FENDER B R FR	61101-ALJ8-E10	1	NEP			
53	FENDER B L FR	61102-ALJ8-E10	1				
54	MIRROR ASSY R BACK	88110-LEB5-C11	2				
55	MIRROR ASSY L BACK	88120-LEB5-C11	2				
56	EMB KYMCO	86102-ALG1-E00	2				
57	EMB BODY COVER	86202-ALJ8-E10	0	T01			
58	STRIPE METER	86407-ALJ8-E10	0				
59	EMB MARK 200 TAPE A	87140-ALJ8-E10	0				
60	LABEL TIRE	87505-AED9-E10	0				
61	CAUTION SIDE STAND	87541-GAR1-C01	1				
62	LABEL OIL CAP	87541-KUDU-E00	1				
63	MARK MAINT CAUTION	87542-GAR1-C01	2				
64	LABEL FUEL TANK	87546-AGE3-E00	0				
65	MARK DRIVE CAUTION	87560-GFY6-E11	3				
66	SEAT ASSY	77200-ALJ8-E10	2				
DATE OF STARTING-SALES							
DATE OF END-SALES							



NO	MODEL			COLOR CHART OF KF40CB(GR)			
	PHOTO NO			NO. 5			
	BASIC COLOR			Mat Silver Crystal			
	CODE			Mat Silver Crystal			
	PARTS NAME	PARTS NO.	VERSION	NH263FB			
51	BOTTOM CASE L	51520-AED9-E10	1	NEA			
52	FENDER B R FR	61101-ALJ8-E10	1	NEP			
53	FENDER B L FR	61102-ALJ8-E10	1				
54	MIRROR ASSY R BACK	88110-LEB5-C11	2				
55	MIRROR ASSY L BACK	88120-LEB5-C11	2				
56	EMB KYMCO	86102-ALG1-E00	2				
57	EMB BODY COVER	86202-ALJ8-E10	0	T01			
58	STRIPE METER	86407-ALJ8-E10	0				
59	EMB MARK 200 TAPE A	87140-ALJ8-E10	0				
60	LABEL TIRE	87505-AED9-E10	0				
61	CAUTION SIDE STAND	87541-GAR1-C01	1				
62	LABEL OIL CAP	87541-KUDU-E00	1				
63	MARK MAINT CAUTION	87542-GAR1-C01	2				
64	LABEL FUEL TANK	87546-AGE3-E00	0				
65	MARK DRIVE CAUTION	87560-GFY6-E11	3				
66	SEAT ASSY	77200-ALJ8-E10	2				
DATE OF STARTING-SALES							
DATE OF END-SALES							

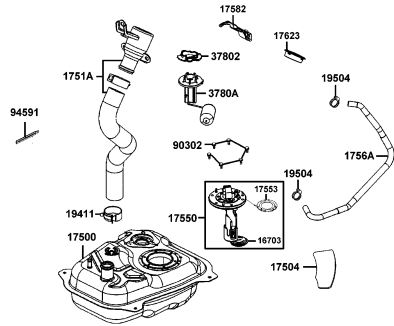


# CONTENTS - FRAME GROUP

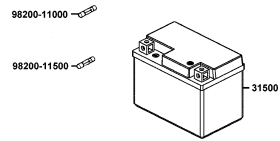
<p><b>F01 Head Light</b></p>	<p><b>F02 Speedometer</b></p>	<p><b>F03 Handle Steering Handle Cover</b></p>
<p><b>F04 Brake Master Cylinder</b></p>	<p><b>F05 Front Cover Front Fender</b></p>	<p><b>F06 Stem Steering Front Cushion</b></p>
<p><b>F07 Front Wheel</b></p>	<p><b>F08 Rear Wheel</b></p>	<p><b>F09 Seat</b></p>

# CONTENTS - FRAME GROUP

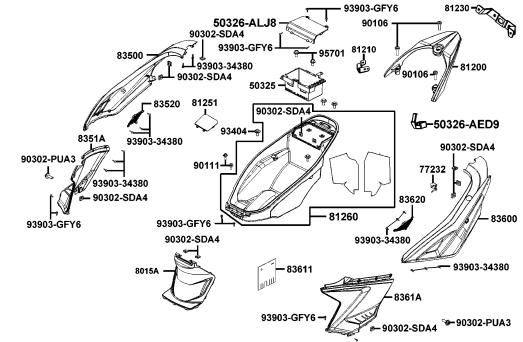
**F10 Fuel Tank**



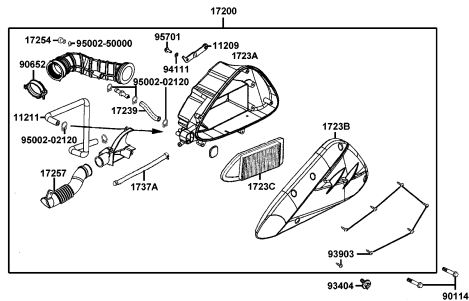
**F11 Battery**



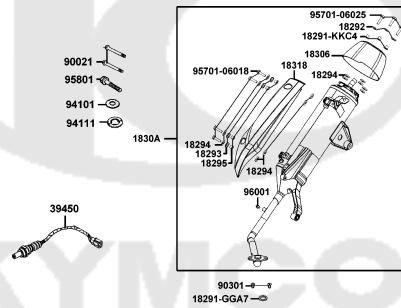
**F12 Body Cover Luggage Box**



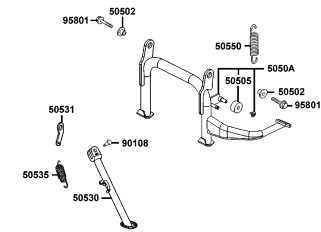
**F13 Air Cleaner**



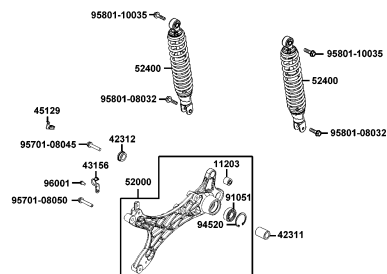
**F14 Exhaust Muffler**



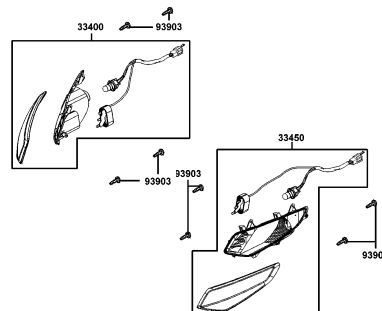
**F15 Stand Kick Starter Arm**



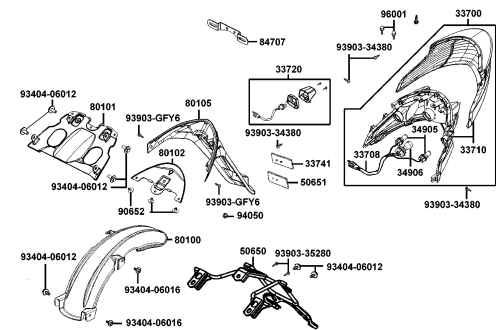
**F16 Rear Cushion**



**F17 Front Winker**

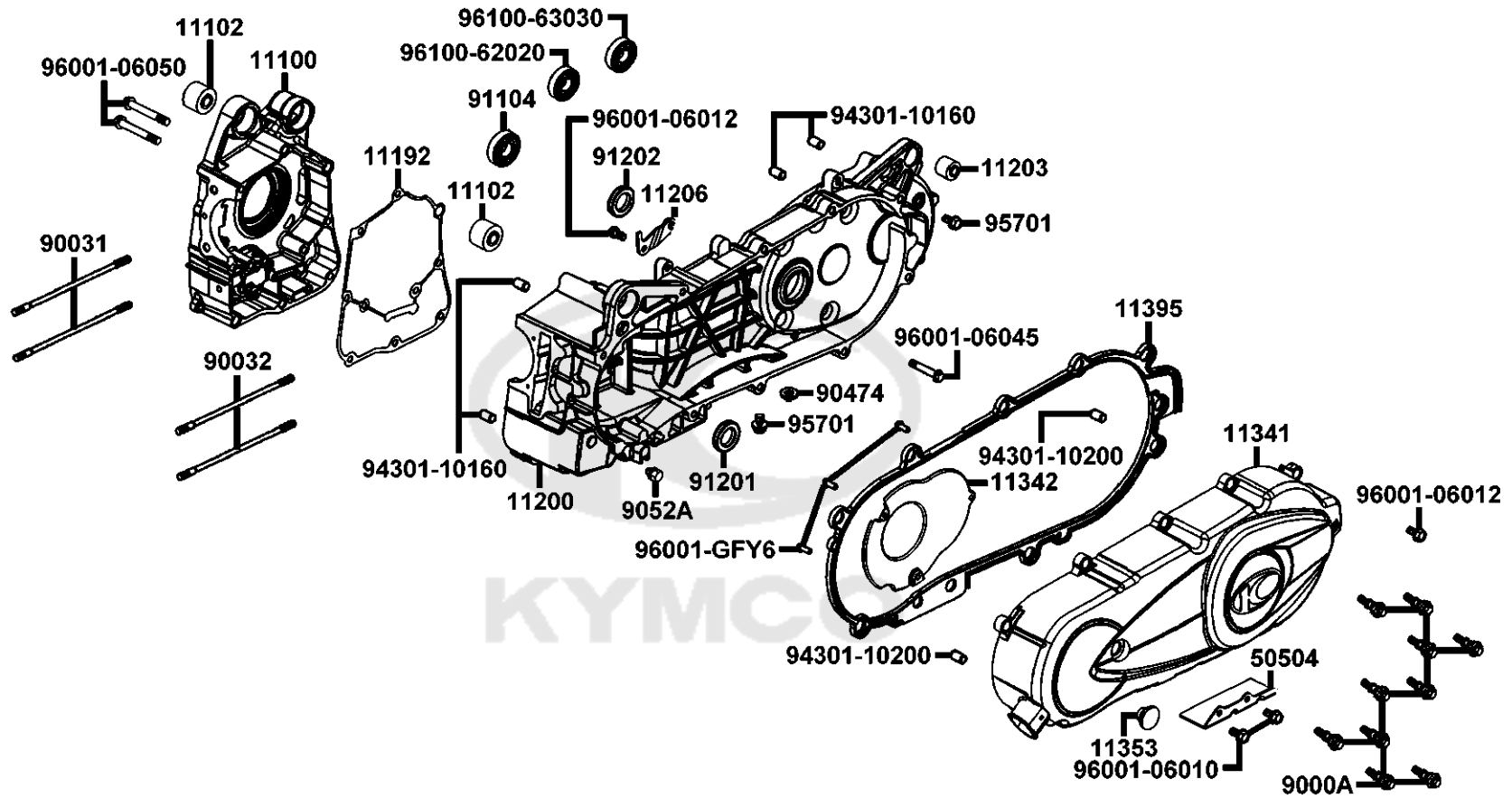


**F18 Tail Light**



# CONTENTS - FRAME GROUP

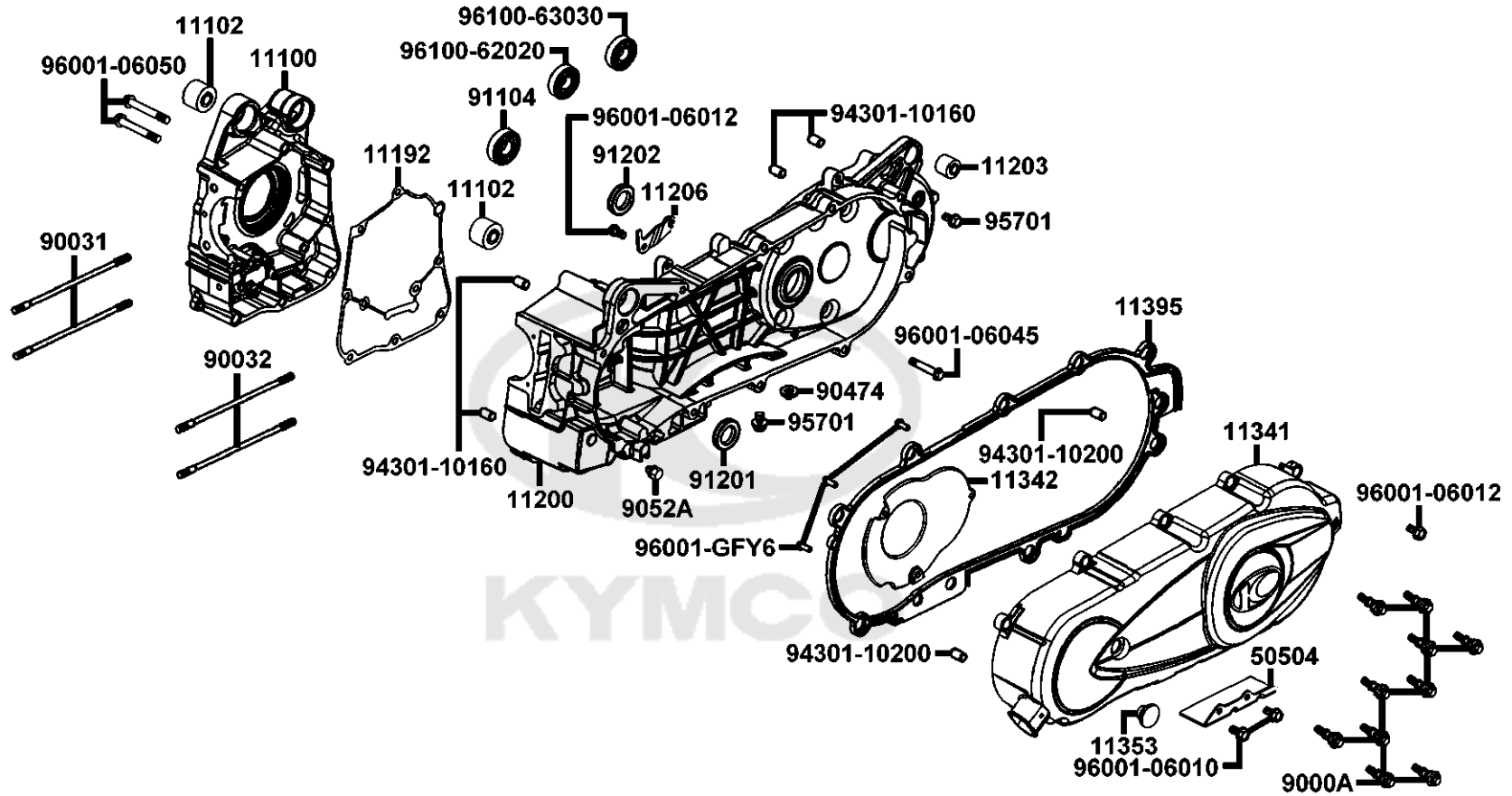
F19 Wire Harness	F20 Frame Body	F21 CANISTER-PCV ASSY
<b>F22 Emblem Stripe</b>		



Sales mark	Ref no	Part no	Description	Reg description	Regd no	E01
	11100	11100-LCD4-C00	CRANK CASE COMP RIGHT	CRANK CASE COMP RIGHT	1	
	11102	11102-1G87-C00	RUB BUSH ENG HANGER	RUB BUSH ENG HANGER	1	
	11192	11192-LGS6-E90	GASKET CRANK CASE @ A	GASKET CRANK CASE @ A	1	
	11200	11200-LCD4-C00	CRANK CASE COMP L	CRANK CASE COMP L	1	
	11203	11203-GGC7-W10	UNDER RUBBER BUSH REAR CUSHION	UNDER RUBBER BUSH REAR CUSHION	1	
	11206	11206-LCD3-C00	STAY A RR FENDER	STAY A RR FENDER	1	
**	11341	11341-ALJ8-E10	COVER COMP L SIDE	COVER COMP L SIDE	1	
	11342	11342-ALJ8-E10	PLATE L COVER	PLATE L COVER	1	
	11353	11353-ALJ8-E11	RUBBER PLUG L COVER KICK	RUBBER PLUG L COVER KICK	1	
	11395	11395-KHB4-C00	GASKET L COVER @A	GASKET L COVER @A	1	
	50504	50504-LEJ3-E11	STAND MAIN STOPPER	STAND MAIN STOPPER	1	
	9000A	9000A-KTDT-C02	BOLT ASSY SPECIAL 6*29.5	BOLT ASSY SPECIAL 6*29.5	10	
	90031	90031-KUDU-C01	BOLT A STUD 8*200.5	BOLT A STUD 8*200.5	1	
	90032	90032-KUDU-C01	BOLT B STUD 8*208.5	BOLT B STUD 8*208.5	1	
	90474	90474-3C33-C00	WASHER 8MM(T*2)	WASHER 8MM(T*2)	1	
	9052A	9052A-PUA3-B50	BLOT ASSY DRAIN PLUG	BLOT ASSY DRAIN PLUG	1	
	91104	91104-KGN7-671	BRG BALL RADIAL 6204	BRG BALL RADIAL 6204	1	
	91201	91202-GFY6-C00	OIL SEAL 19.8*30*5	OIL SEAL 19.8*30*5	1	
	91202	91202-KKJ9-C00	OIL SEAL 20*32*6	OIL SEAL 20*32*6	1	
	94301-10160	94301-10160	DOWEL PIN 10*16	DOWEL PIN 10*16	4	

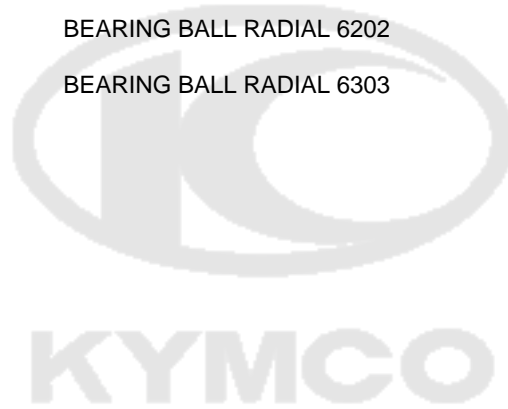
E01

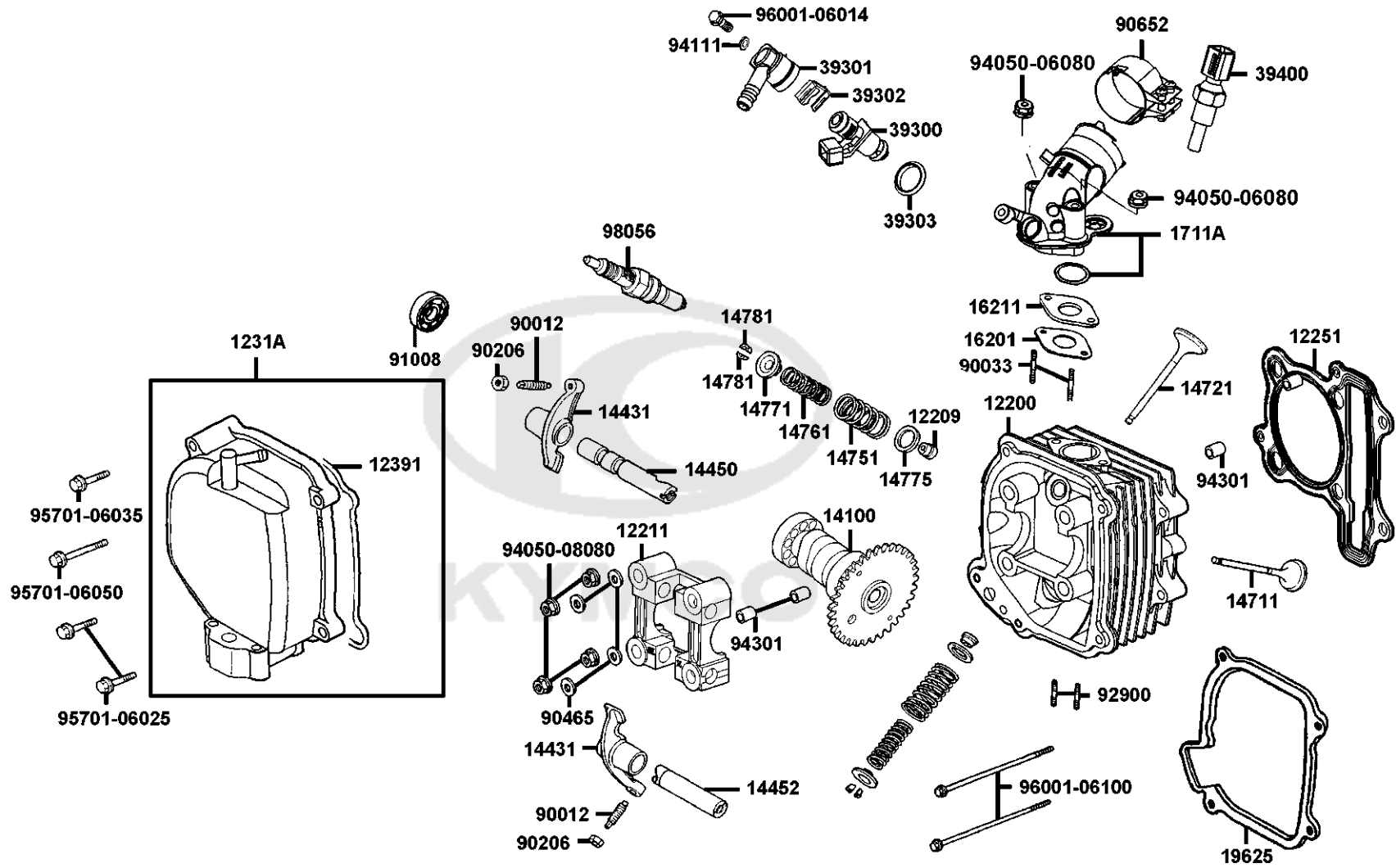
# Crank Case



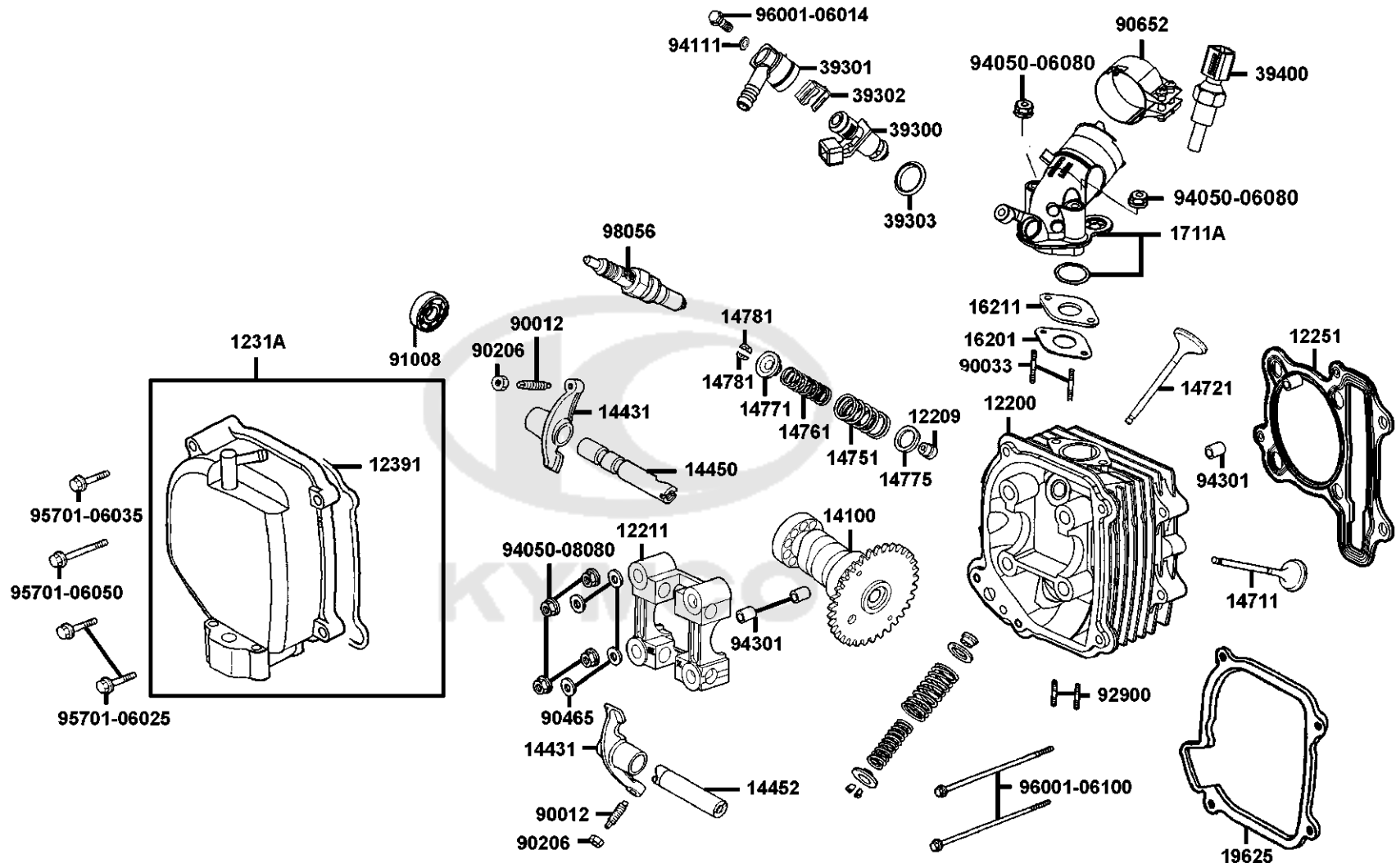


Sales mark	Ref no	Part no	Description	Reg description	Regd no	<b>E01</b>
	94301-10200	94301-10200	DOWEL PIN 10*20	DOWEL PIN 10*20	2	
	95701	95701-08012-08G	BOLT FLANGE 8*12 (C)	BOLT FLANGE 8*12 (C)	2	
	96001-06010	96001-06010-08G	BOLT FLANGE SH 6*10	BOLT FLANGE SH 6*10	1	
	96001-06012	96001-06012-08G	BOLT FLANGE SH 6*12 (C)	BOLT FLANGE SH 6*12 (C)	2	
	96001-06045	96001-06045-08G	BOLT FLANGE SH 6*45 (C)	BOLT FLANGE SH 6*45 (C)	10	
	96001-06050	96001-06050-08G	BOLT FLANGE	BOLT FLANGE	2	
	96001-GFY6	96001-GFY6-C01	BOLT SPECIAL 5X10	BOLT SPECIAL 5X10	3	
	96100-62020	96100-62020-00	BEARING BALL RADIAL 6202	BEARING BALL RADIAL 6202	1	
	96100-63030	96100-63030-00	BEARING BALL RADIAL 6303	BEARING BALL RADIAL 6303	1	

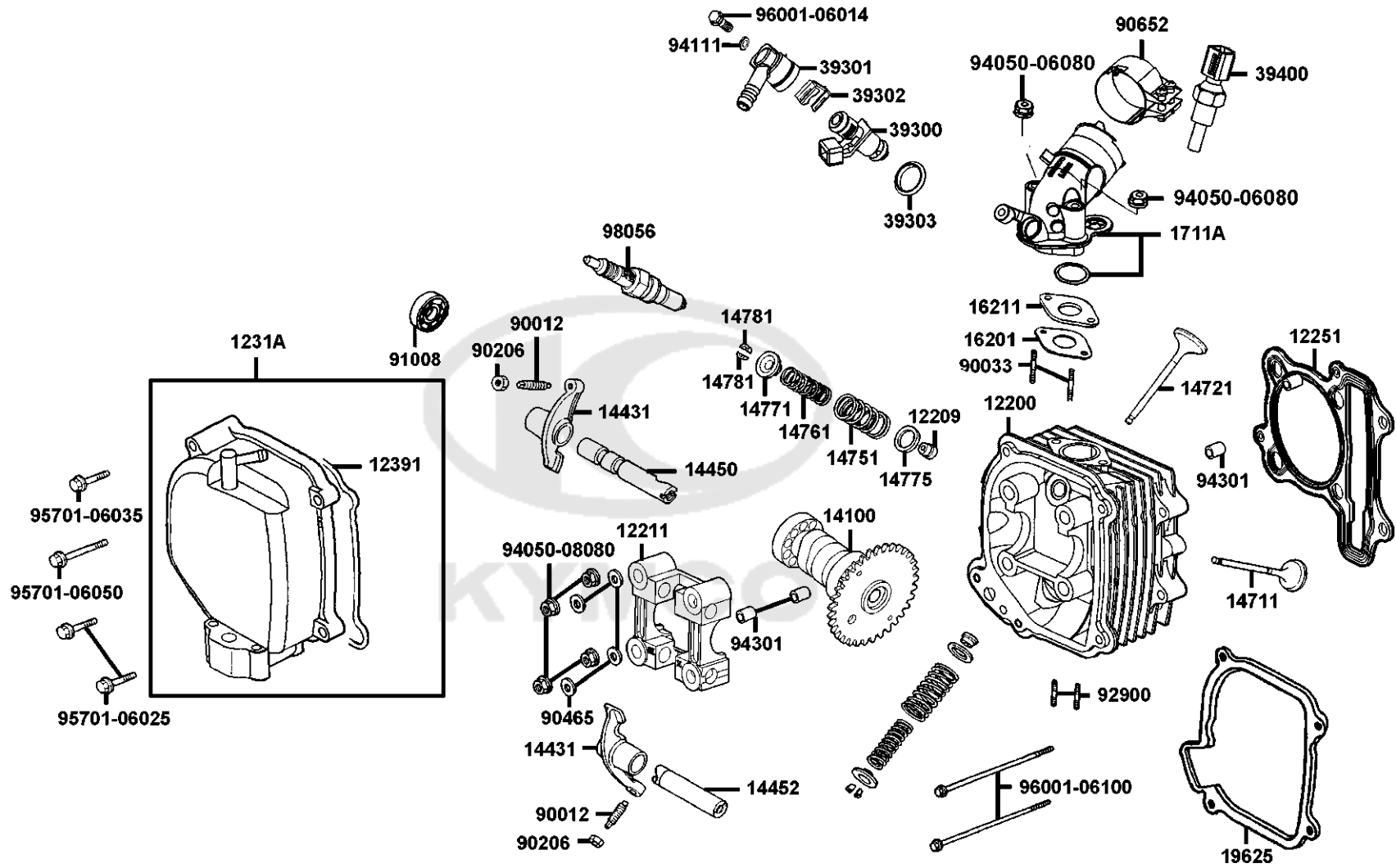




Sales mark	Ref no	Part no	Description	Reg description	Regd no	<b>E02</b>
12200		12200-LGS6-E10	"HEAD SET ,CYLINDER"	"HEAD SET ,CYLINDER"	1	
12209		12209-GDB4-C00	SEAL VALVE STEM	SEAL VALVE STEM	1	
12211		12211-KUDU-W10	HOLDER CAM SHAFT COMP	HOLDER CAM SHAFT COMP	1	
12251		12251-LGS6-E10	"GASKET, CYLINDER HEAD"	"GASKET, CYLINDER HEAD"	1	
1231A		1231A-ALL1-C00	COVER ASSY HEAD	COVER ASSY HEAD	1	
12391		12391-GFY6-C00	GASKET HEAD COVER	GASKET HEAD COVER	1	
14100		14100-AAA2-C00	CAMSHAFT	CAMSHAFT	1	
14431		14431-KUDU-W10	ARM VALVE ROCKER	ARM VALVE ROCKER	1	
14450		14450-GFY6-W10	SHAFT COMP IN ROCKER ARM	SHAFT COMP IN ROCKER ARM	1	
14452		14452-GFY6-W10	SHAFT EXH ROCKER ARM	SHAFT EXH ROCKER ARM	1	
14711		14711-KFB7-C00	VALVE INLET	VALVE INLET	1	
14721		14721-KFB7-C00	VALVE EXHAUST	VALVE EXHAUST	1	
14751		14751-KKJ9-C00	SPRING VALVE OUTER	SPRING VALVE OUTER	1	
14761		14761-KKJ9-C00	SPG VALVE INNER	SPG VALVE INNER	1	
14771		14771-GDB4-C00	RETAINER VALVE SPRING	RETAINER VALVE SPRING	1	
14775		14775-MFA6-C00	SEAT VALVE SPG OUTER	SEAT VALVE SPG OUTER	1	
14781		14781-MFA6-C00	COTTER VALVE	COTTER VALVE	1	
16201		16201-GFY6-E90	GASKET CARB INSULATOR	GASKET CARB INSULATOR	1	
16211		16211-GFY6-W10	INSULATOR CARB	INSULATOR CARB	1	
1711A		1711A-LGL3-C00	PIPE ASSYINLET	PIPE ASSYINLET	1	



Sales mark	Ref no	Part no	Description	Reg description	Regd no	E02
	19625	19625-KUDU-C00	SEAL SHROUD	SEAL SHROUD	1	
	39300	39300-LEA6-800	"INJECTOR,FUEL"	"INJECTOR,FUEL"	1	
	39301	39301-ALJ8-E10	CUP COMP FUEL INJECTOR	CUP COMP FUEL INJECTOR	1	
	39302	39302-KKE3-C00	CLIP SPRING FUEL INJECTOR	CLIP SPRING FUEL INJECTOR	1	
	39303	39303-LEB2-C00	"SEAL,HIGH TENSION FUEL INJECT"	"SEAL,HIGH TENSION FUEL INJECT"	1	
	39400	39400-LHJ3-900	"SENSOR,HEAD TEMPERATURE"	"SENSOR,HEAD TEMPERATURE"	1	
	90012	90012-3C33-C00	SCREW TAPPET ADJUSTING	SCREW TAPPET ADJUSTING	1	
	90033	90033-GFY6-C01	BOLT 8*32	BOLT 8*32	1	
	90206	90206-0A01-C00	NUT TAPPET ADJG	NUT TAPPET ADJG	1	
	90465	90465-MDC4-C01	WASHER 8MM	WASHER 8MM	1	
	90652	90652-LGJ9-900	"BAND 48, INLET-PIPE"	"BAND 48, INLET-PIPE"	1	
	91008	91008-KUDU-900	BRG BALL RADIAL TMB002JR2C3	BRG BALL RADIAL TMB002JR2C3	1	
	92900	92900-06060-0BG	BOLT STUD 6*60	BOLT STUD 6*60	2	
	94050-06080	94050-06080-G	NUT FLANGE 6MM	NUT FLANGE 6MM	2	
	94050-08080	94050-08080-G	NUT FLANGE 8MM	NUT FLANGE 8MM	4	
	94111	94111-06800-G	WASHER PLAIN 6MM	WASHER PLAIN 6MM	1	
	94301	94301-10160	DOWEL PIN 10*16	DOWEL PIN 10*16	4	
	95701-06025	95701-06025-08G	BOLT FLANGE 6*25	BOLT FLANGE 6*25	2	
	95701-06035	95701-06035-08G	BOLT FLANGE 6*35 (C)	BOLT FLANGE 6*35 (C)	1	
	95701-06050	95701-06050-08G	BOLT FLANGE 6*50 (C)	BOLT FLANGE 6*50 (C)	1	

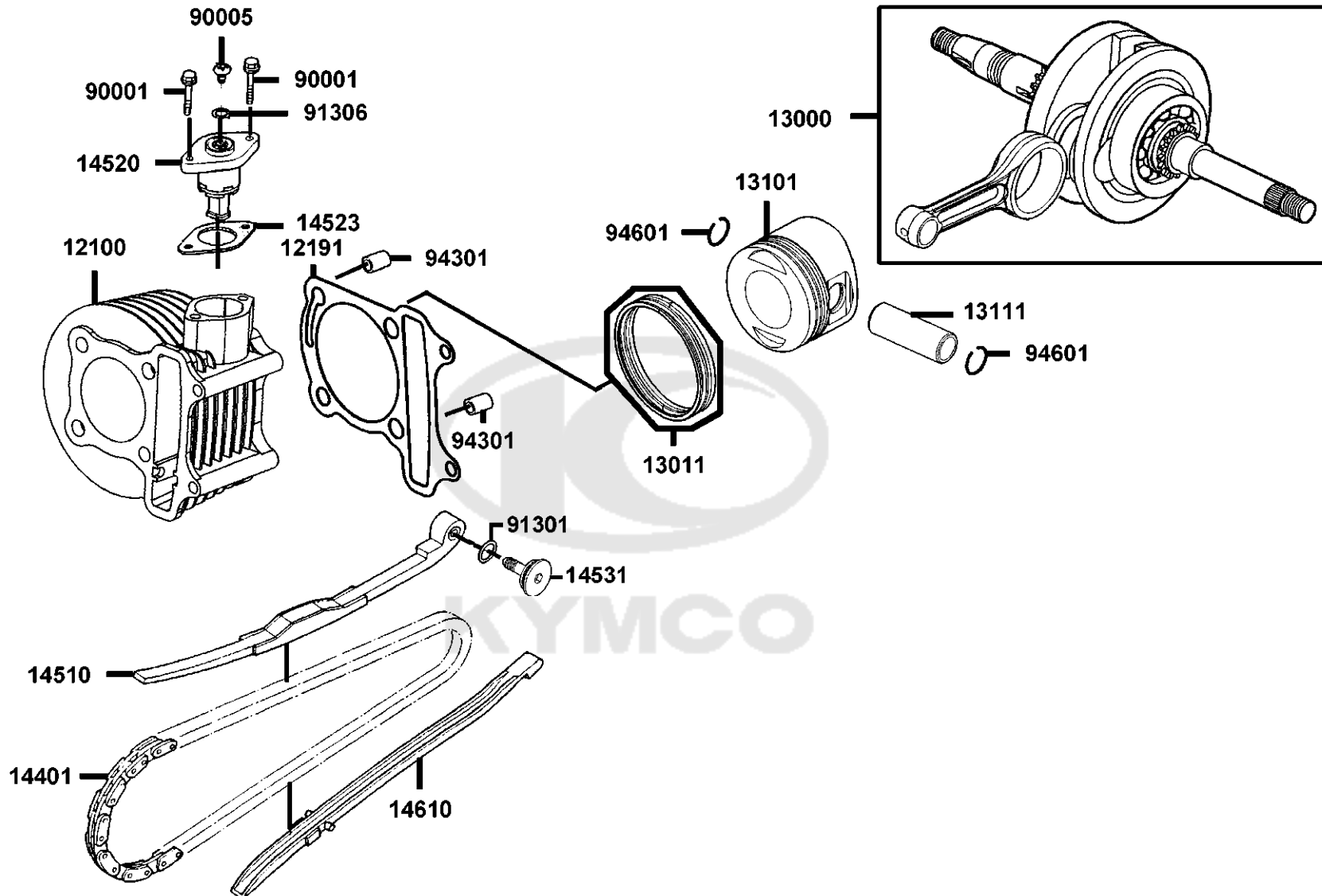


Sales mark	Ref no	Part no	Description	Reg description	Regd no	<b>E02</b>
	96001-06014	96001-06014-08G	BOLT FLANGE SH 6*14 (C)	BOLT FLANGE SH 6*14 (C)	1	
	96001-06100	96001-06100-08G	BOLT FLANGE SH 6*110	BOLT FLANGE SH 6*110	2	
	98056	98056-5771R-00	SPARK PLUG (CR7HSA)	SPARK PLUG (CR7HSA)	1	



E03

# Cylinder Piston Crankshaft

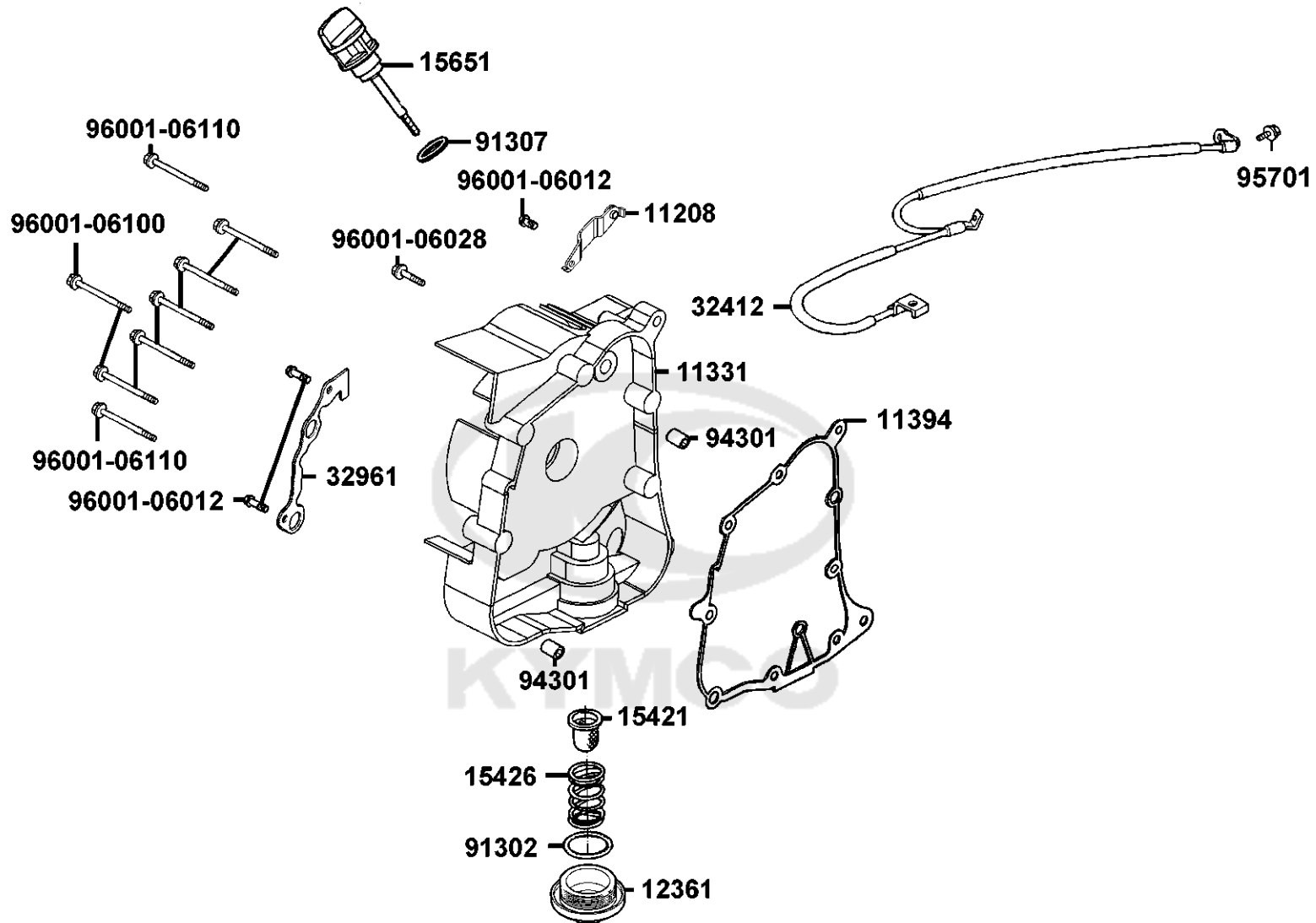




Sales mark	Ref no	Part no	Description	Reg description	Regd no	E03
	12100	12100-LCD4-C01	CYLINDER COMP	CYLINDER COMP	1	
	12191	12191-LGS6-E90	GASKET CYLINDER	GASKET CYLINDER	1	
	13000	13000-KFB7-405	CRANK SHAFT COMP	CRANK SHAFT COMP	1	
	13011	13011-LCD4-C00	RING ASSY PISTON	RING ASSY PISTON	1	
	13101	13101-ALJ8-E10	PISTON	PISTON	1	
	13111	13111-KKJ9-C10	PIN PISTON	PIN PISTON	1	
	14401	14401-KUDU-C00	CHAIN CAM	CHAIN CAM	1	
	14510	14510-KUDU-C00	TENSIONER CAM CHAIN	TENSIONER CAM CHAIN	1	
	14510	14510-KUDU-C0B	TENSIONER CAM CHAIN	TENSIONER CAM CHAIN	1	
	14520	14520-GFY6-C00	LIFTER ASSY TENSIONER	LIFTER ASSY TENSIONER	1	
	14523	14523-GFY6-E90	GASKET TENSIONER LIFTER@A	GASKET TENSIONER LIFTER@A	1	
	14531	14531-GLR0-W11	PIVOT CAM CHAIN TENSIONER	PIVOT CAM CHAIN TENSIONER	1	
	14610	14610-KUDU-C0B	GUIDE COMP CAM CHAIN	GUIDE COMP CAM CHAIN	1	
	90001	90001-GBHB-C05	BOLT FLANGE SH 6X22	BOLT FLANGE SH 6X22	1	
	90005	90005-KAW1-C00	SCREW PAN 6*6	SCREW PAN 6*6	1	
	91301	91301-GLR0-W10	O-RING 15.2*1.5	O-RING 15.2*1.5	1	
	91306	91306-1E05-C00	O-RING 1.5*9.5	O-RING 1.5*9.5	1	
	94301	94301-10160	DOWEL PIN 10*16	DOWEL PIN 10*16	2	
	94601	94601-15000	CLIP PISTON PIN 15MM	CLIP PISTON PIN 15MM	2	

E04

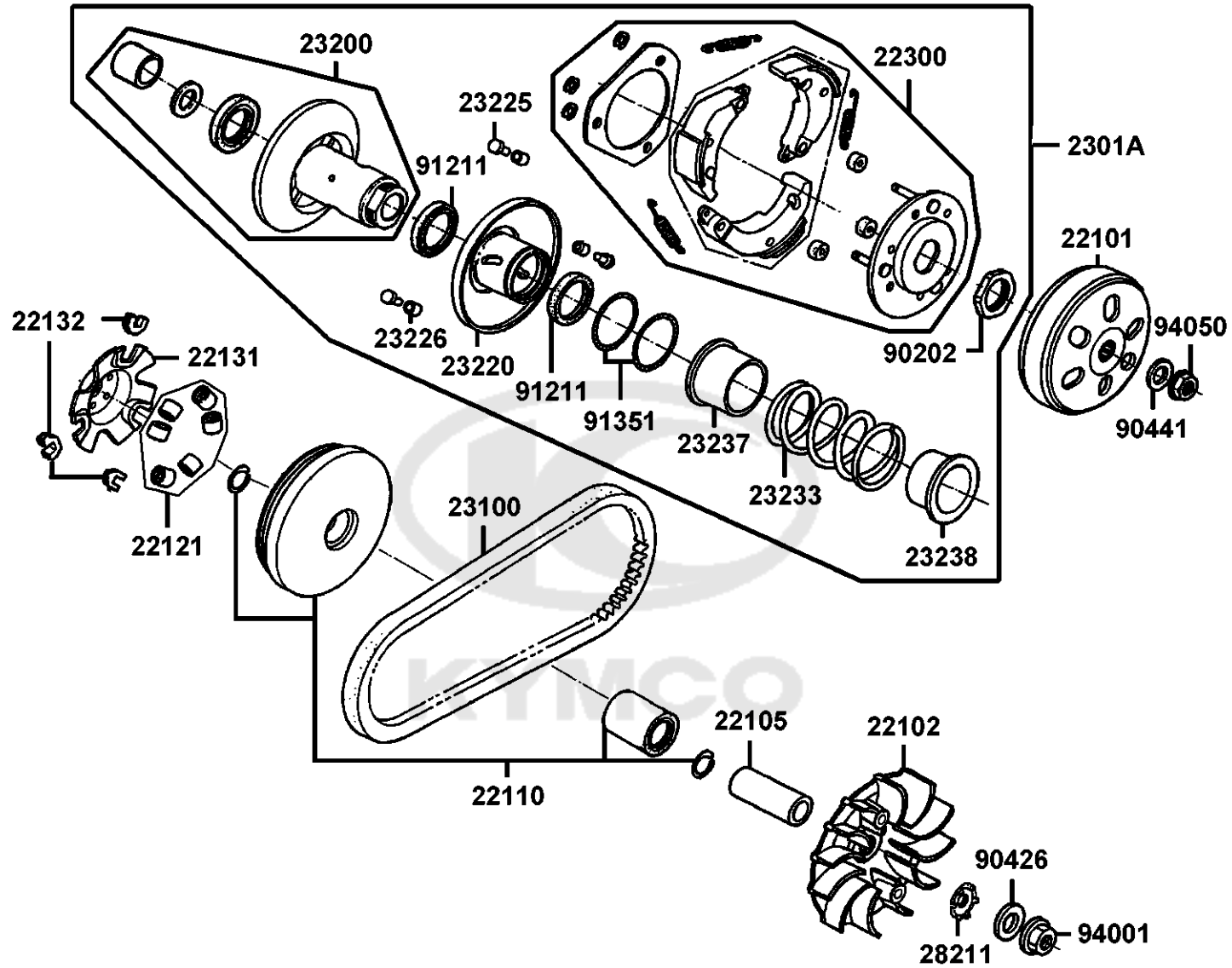
# Right Crankcase Cover



Sales mark	Ref no	Part no	Description	Reg description	Regd no	<b>E04</b>
	11208	11208-LFC3-E10	"STAY, RR TIRE FENDER"	"STAY, RR TIRE FENDER"	1	
	11331	11331-LCD3-E00	COVER R CRANK CASE	COVER R CRANK CASE	1	
	11394	11394-KUDU-E90	GASKET R COVER	GASKET R COVER	1	
	12361	12361-GFY6-C00	HOLE CAP TAPPET ADJUSTING	HOLE CAP TAPPET ADJUSTING	1	
	15421	15421-1G07-C00	SCREEN OIL FILTER	SCREEN OIL FILTER	1	
	15426	15426-GAE1-C00	SPG OIL FILTER SCREEN	SPG OIL FILTER SCREEN	1	
	15651	15651-KUDU-W10	GUAGE OIL LEVEL	GUAGE OIL LEVEL	1	
	32412	32412-ALJ8-E10	CABLE EARTH	CABLE EARTH	1	
	32961	32961-KUDU-C00	CLAMPER ACG CORD	CLAMPER ACG CORD	1	
	91302	91302-0A01-C00	O-RING 30.8M/M	O-RING 30.8M/M	1	
	91307	91307-0E35-W10	O-RING 18*3	O-RING 18*3	1	
	94301	94301-10160	DOWEL PIN 10*16	DOWEL PIN 10*16	2	
	95701	95701-06012-08G	BOLT FLANGE 6*12 (C)	BOLT FLANGE 6*12 (C)	1	
	96001-06012	96001-06012-08G	BOLT FLANGE SH 6*12 (C)	BOLT FLANGE SH 6*12 (C)	3	
	96001-06028	96001-06028-08G	BOLT FLANGE 6*28	BOLT FLANGE 6*28	1	
	96001-06100	96001-06100-08G	BOLT FLANGE SH 6*110	BOLT FLANGE SH 6*110	6	
	96001-06110	96001-06110-08G	BOLT FLANGE SH 6*110	BOLT FLANGE SH 6*110	2	

E05

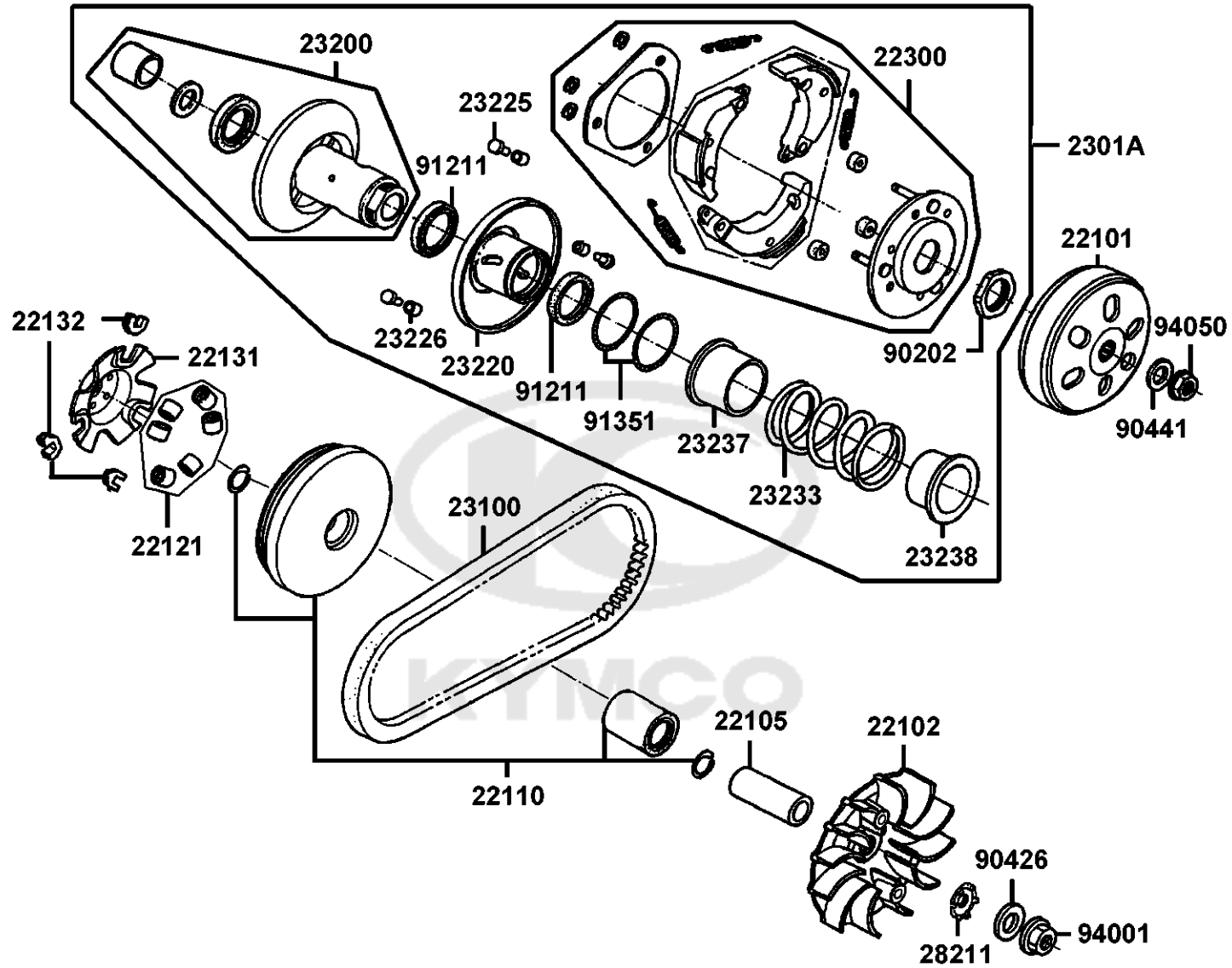
# Driven Pulley



Sales mark	Ref no	Part no	Description	Reg description	Regd no	<b>E05</b>
22101		22101-LCD3-C00	OUTER CLUTCH	OUTER CLUTCH	1	
22102		22102-KUDU-E80	FACE DRIVE	FACE DRIVE	1	
22105		22105-LGS6-E10	BOSS DRIVE FACE	BOSS DRIVE FACE	1	
22110		22110-KUDU-E80	FACE COMP MOVABLE DRIVE	FACE COMP MOVABLE DRIVE	1	
22121		22121-LFC4-315	ROLLER COMP WEIGHT	ROLLER COMP WEIGHT	1	
22131		22131-GFY6-C00	PLATE RAMP	PLATE RAMP	1	
22132		22132-KBN2-315	PIECE SLIDE	PIECE SLIDE	1	
22300		22300-LCD4-C00	PLATE ASSY DRIVE	PLATE ASSY DRIVE	1	
2301A		2301A-LCD4-C00	PULLEY SUB ASSY	PULLEY SUB ASSY	1	
23100		23100-LCD4-C00	BELT DRIVE	BELT DRIVE	1	
23200		23200-GFY6-C00	FACE ASSY DRIVEN	FACE ASSY DRIVEN	1	
23220		23220-KFBF-C00	FACE MOVABLE DRIVEN	FACE MOVABLE DRIVEN	1	
23225		23225-GHC8-C00	PIN ROLLER GUIDE	PIN ROLLER GUIDE	1	
23226		23226-GHC8-C00	ROLLER GUIDE	ROLLER GUIDE	1	
23233		23233-LEJ3-E10	SPG DRIVEN FACE	SPG DRIVEN FACE	1	
23237		23237-GFY6-C00	COLLAR SEAL	COLLAR SEAL	1	
23238		23238-GFY6-C00	COLLAR SPG	COLLAR SPG	1	
28211		28211-LGK2-C00	WASHER 15.1X24X5	WASHER 15.1X24X5	1	
90202		90202-1G87-C00	NUT SPECIAL 28MM	NUT SPECIAL 28MM	1	
90426		90426-KNBN-C01	WASHER SPECIAL 12MM	WASHER SPECIAL 12MM	1	

E05

# Driven Pulley



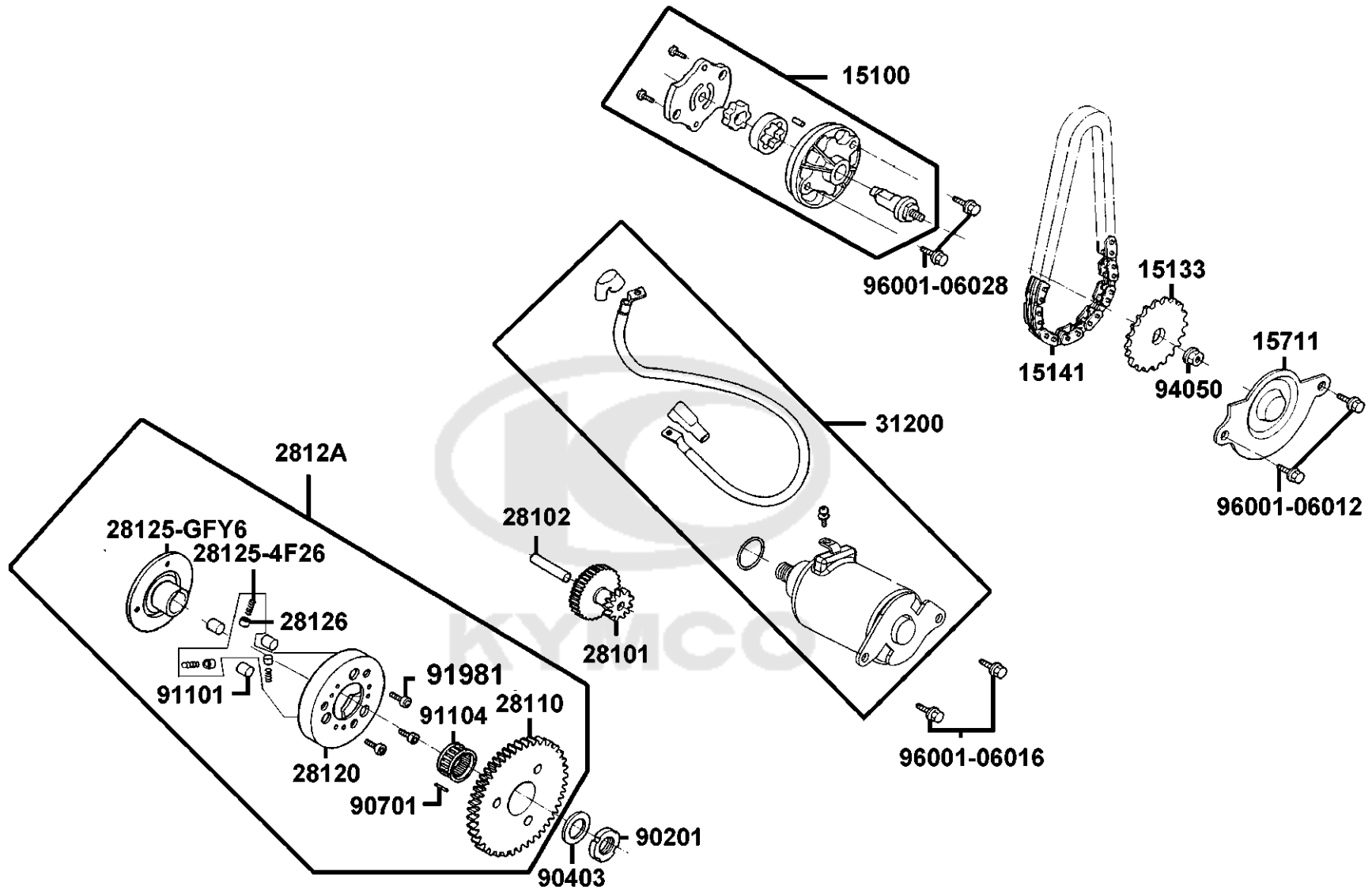
Sales mark	Ref no	Part no	Description	Reg description	Regd no	<b>E05</b>
------------	--------	---------	-------------	-----------------	---------	------------

90441		90441-GFY6-C01	WASHER 12.2*29*2.5	WASHER 12.2*29*2.5	1	
91211		91211-KEBE-C00	SEAL DRIVEN FACE 34*41*4	SEAL DRIVEN FACE 34*41*4	1	
91351		91351-6B42-C00	O-RING PINION CAP	O-RING PINION CAP	1	
94001		94001-12280-0SG	NUT HEX 12MM(C)	NUT HEX 12MM(C)	1	
94050		94050-12080-G	NUT FLANGE 12MM (C)	NUT FLANGE 12MM (C)	1	



E06

# Starting Motor Oil Pump

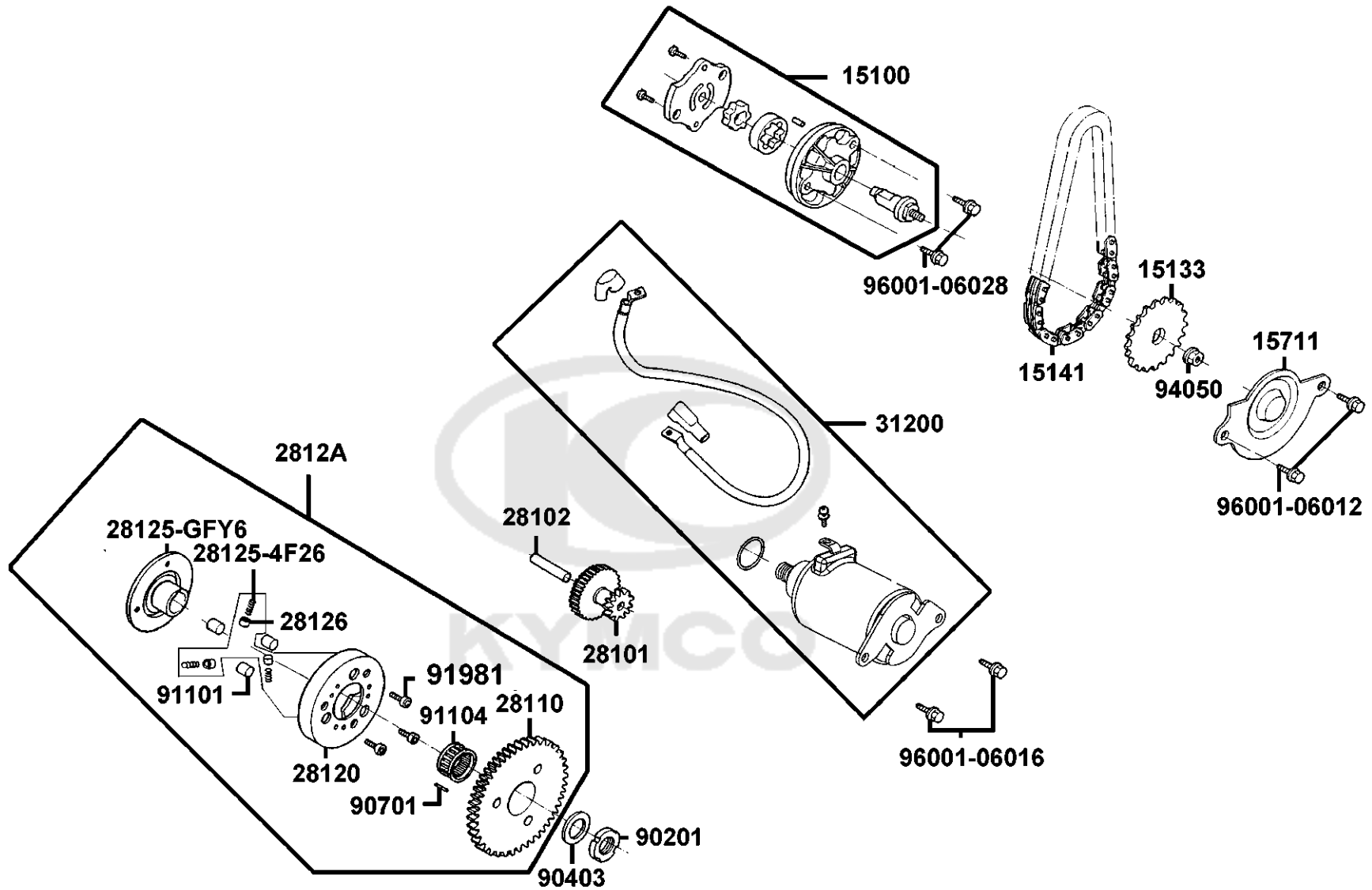




Sales mark	Ref no	Part no	Description	Reg description	Regd no	E06
	15100	15100-KFB7-C00	PUMP ASSY OIL	PUMP ASSY OIL	1	
	15133	15133-GFY6-W10	SPROCKET OIL PUMP DRIVE	SPROCKET OIL PUMP DRIVE	1	
	15141	15141-GFY6-C00	CHAIN OIL PUMP	CHAIN OIL PUMP	1	
	15711	15711-KUDU-C00	SEPARATER OIL	SEPARATER OIL	1	
	28101	28101-GFY6-C00	GEAR STARTER REDUCTION	GEAR STARTER REDUCTION	1	
	28102	28102-GFY6-C00	SHAFT STARTER REDUCTION GEAR	SHAFT STARTER REDUCTION GEAR	1	
	28110	28110-GFY6-C10	OUTER ASSY START CLUTCH	OUTER ASSY START CLUTCH	1	
	28120	28120-GFY6-C10	GEAR COMP STARTING CLUTCH	GEAR COMP STARTING CLUTCH	1	
	28125-4F26	28125-4F26-C00	SPRING ROLLER STARTER CLUTCH	SPRING ROLLER STARTER CLUTCH	1	
	28125-GFY6	28125-GFY6-C10	SPRING ROLLER STARTER CLUTCH	SPRING ROLLER STARTER CLUTCH	1	
	28126	28126-GFY6-C10	FLANGE STARTING CLUTCH	FLANGE STARTING CLUTCH	3	
	2812A	2812A-GFY6-C10	OUTER COMP STARTING CLUTCH	OUTER COMP STARTING CLUTCH	1	
	31200	31200-ALJ8-E10	MOTOR ASSY START	MOTOR ASSY START	1	
	90201	90201-GFY6-901	NUT LOCK 22MM	NUT LOCK 22MM	1	
	90403	90403-KUDU-C00	WASHER THRUST 22.2*39*2.5	WASHER THRUST 22.2*39*2.5	1	
	90701	90701-GFY6-901	CAP STARTING ROLLER SPRING	CAP STARTING ROLLER SPRING	1	
	91101	91101-1K79-C00	ROLLER 10*10	ROLLER 10*10	1	
	91104	91104-GFY6-C00	ROLLER 10*10	ROLLER 10*10	1	
	91981	91981-KGN7-670	SCREW WASH 5*8	SCREW WASH 5*8	1	
	94050	94050-06080-G	NUT FLANGE 6MM	NUT FLANGE 6MM	1	

E06

# Starting Motor Oil Pump



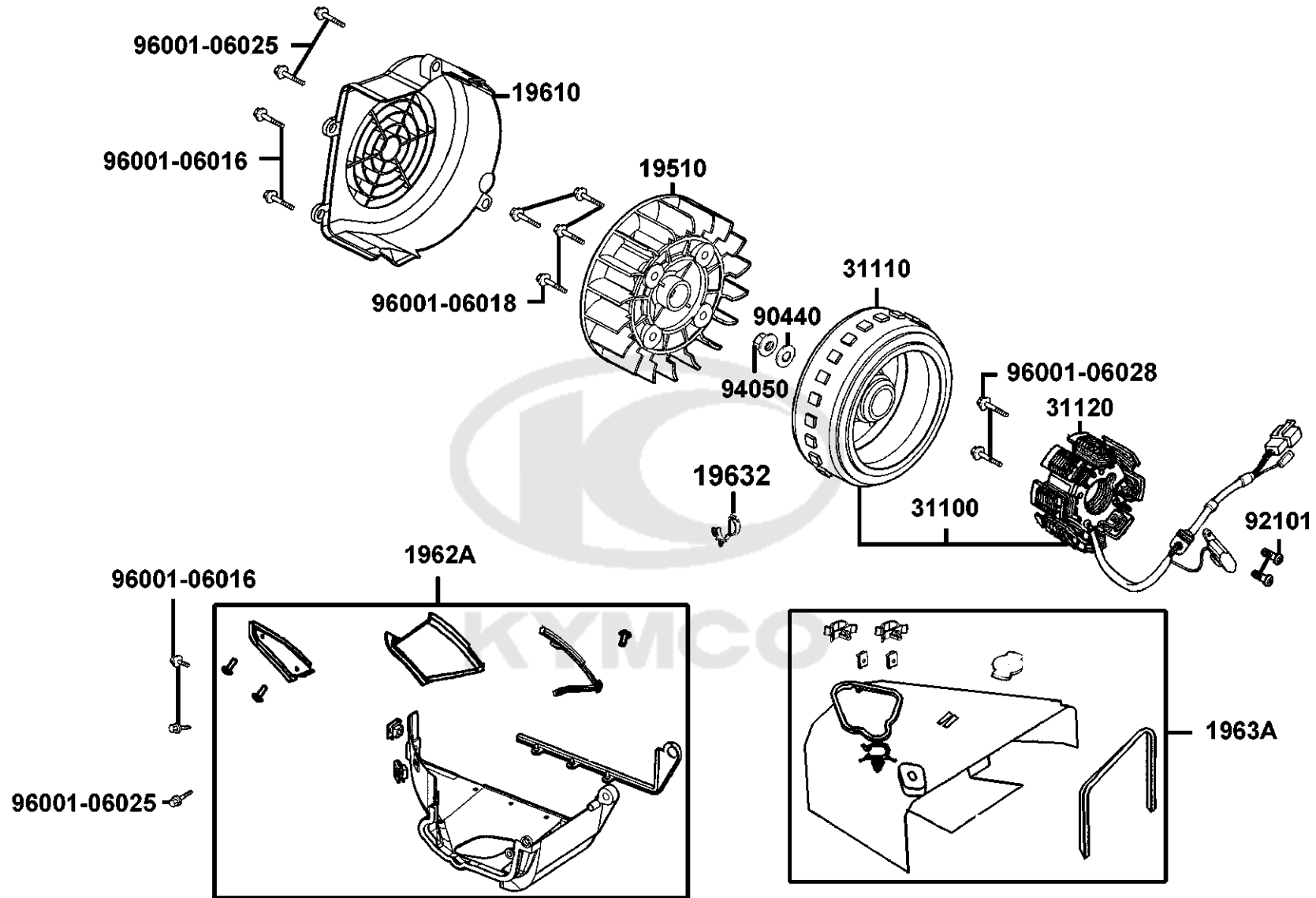
Sales mark	Ref no	Part no	Description	Reg description	Regd no	<b>E06</b>
------------	--------	---------	-------------	-----------------	---------	------------

96001-06012		96001-06012-08G	BOLT FLANGE SH 6*12 (C)	BOLT FLANGE SH 6*12 (C)	2	
96001-06016		96001-06016-08G	SOCKET BOLT 6*16 (C)	SOCKET BOLT 6*16 (C)	2	
96001-06028		96001-06028-08G	BOLT FLANGE 6*28	BOLT FLANGE 6*28	2	

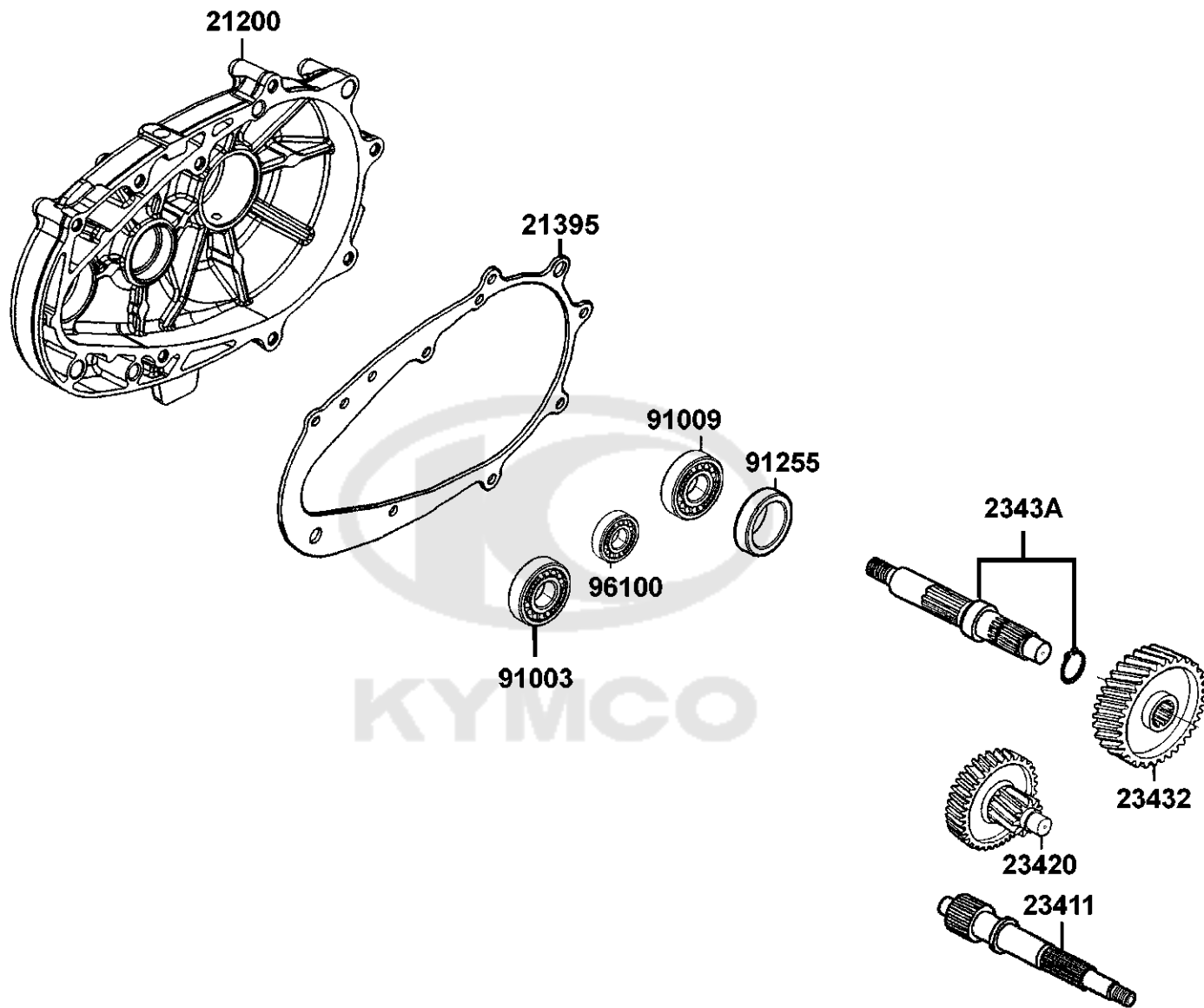


E07

### Fan Cover Generator



Sales mark	Ref no	Part no	Description	Reg description	Regd no	E07
19510		19510-KFB7-C00	FAN COMP COOLING	FAN COMP COOLING	1	
19610		19610-KUDU-C10	COVER ASSY FAN	COVER ASSY FAN	1	
1962A		1962A-LEJ8-E00	SHROUD ASSY A	SHROUD ASSY A	1	
19632		19632-LFB6-C00	CLIPFUEL HOSE	CLIPFUEL HOSE	1	
1963A		1963A-AAD2-C00	"SHROUD ASSY., B"	"SHROUD ASSY., B"	1	
31100		31100-LGS6-E10	AC GEN ASSY	AC GEN ASSY	1	
31110		31110-KKE3-C00	FLYWHEEL COMP	FLYWHEEL COMP	1	
31120		31120-LGS6-E10	STATOR COMP	STATOR COMP	1	
90440		90440-1F66-C00	WASHER PLAIN 12MM	WASHER PLAIN 12MM	1	
92101		92101-05012-0HG	BOLT HEX 5*12 (C)	BOLT HEX 5*12 (C)	1	
94050		94050-12080-G	NUT FLANGE 12MM (C)	NUT FLANGE 12MM (C)	1	
96001-06016		96001-06016-08G	SOCKET BOLT 6*16 (C)	SOCKET BOLT 6*16 (C)	4	
96001-06018		96001-06018-08G	BOLT FLANGE SH 6*18 (C)	BOLT FLANGE SH 6*18 (C)	4	
96001-06025		96001-06025-08G	BOLT FLANGE SH 6*25 (C)	BOLT FLANGE SH 6*25 (C)	3	
96001-06028		96001-06028-08G	BOLT FLANGE 6*28	BOLT FLANGE 6*28	2	



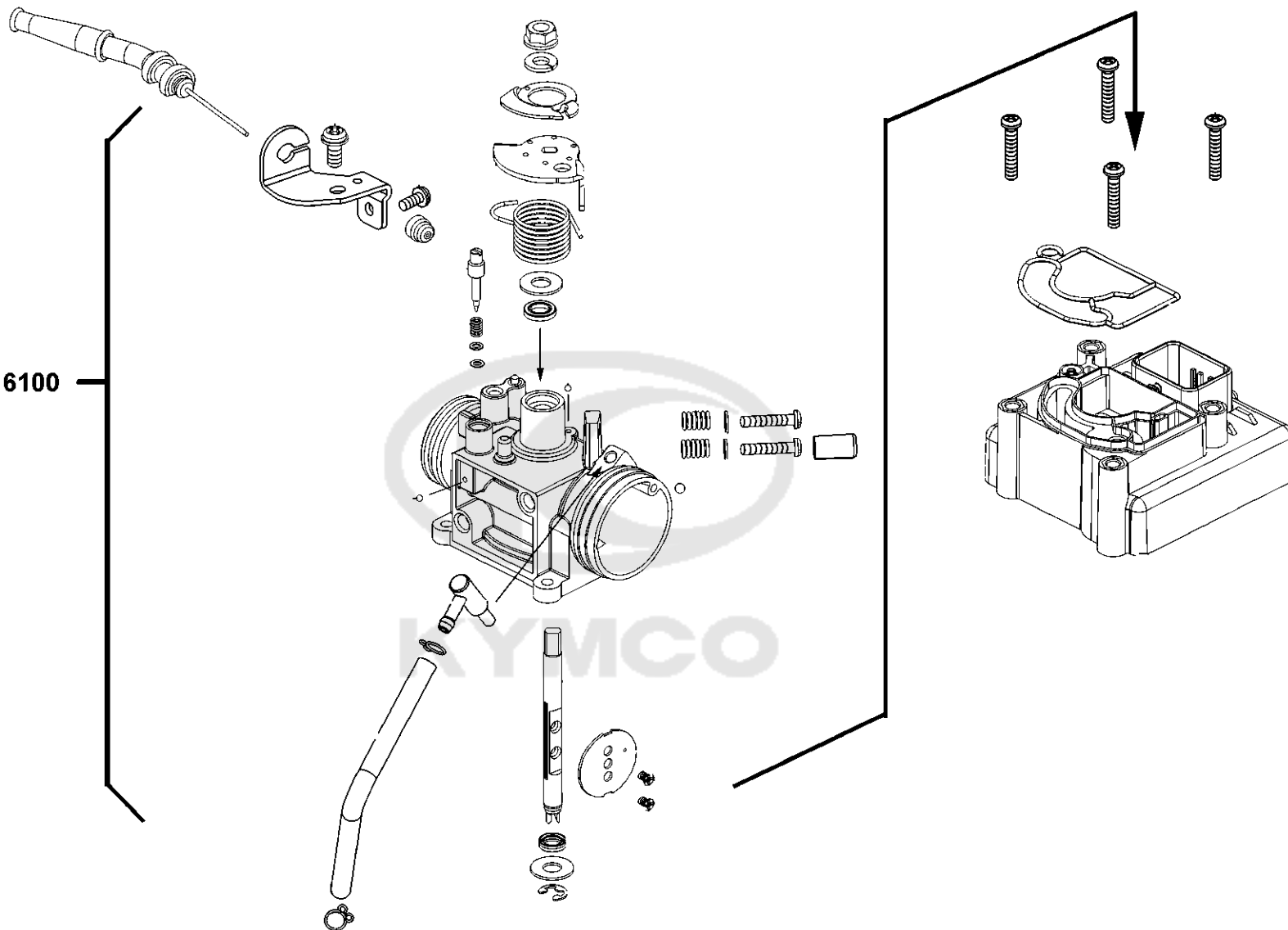
Sales mark	Ref no	Part no	Description	Reg description	Regd no	<b>E08</b>
21200		21200-LEJ8-C00	CASE COMP MISSION	CASE COMP MISSION	1	
21395		21395-LCD3-E90	GASKET MISSION CASE@A	GASKET MISSION CASE@A	1	
23411		23411-ALJ8-E10	SHAFT DRIVE	SHAFT DRIVE	1	
23420		23420-ALJ8-E10	SHAFT COMP COUNTER	SHAFT COMP COUNTER	1	
23432		23432-ALJ8-E10	GEAR FINAL	GEAR FINAL	1	
2343A		2343A-ALJ8-E10	SHAFT FINAL	SHAFT FINAL	1	
91003		91003-KDS4-C00	BRG BALL RADIAL 6301TMB	BRG BALL RADIAL 6301TMB	1	
91009		91009-GLE0-C00	BRG BALL RADIAL 6004 UU	BRG BALL RADIAL 6004 UU	1	
91255		91255-LDC8-E10	OIL SEAL 27*42*7 (C)	OIL SEAL 27*42*7 (C)	1	
96100		96100-60020-00	BEARING BALL RADIAL 6002	BEARING BALL RADIAL 6002	1	



E09

Carburetor

16100





Sales mark	Ref no	Part no	Description	Reg description	Regd no	<b>E09</b>
------------	--------	---------	-------------	-----------------	---------	------------

16100

16100-ALJ8-E15

THROTTLE BODY ASSY

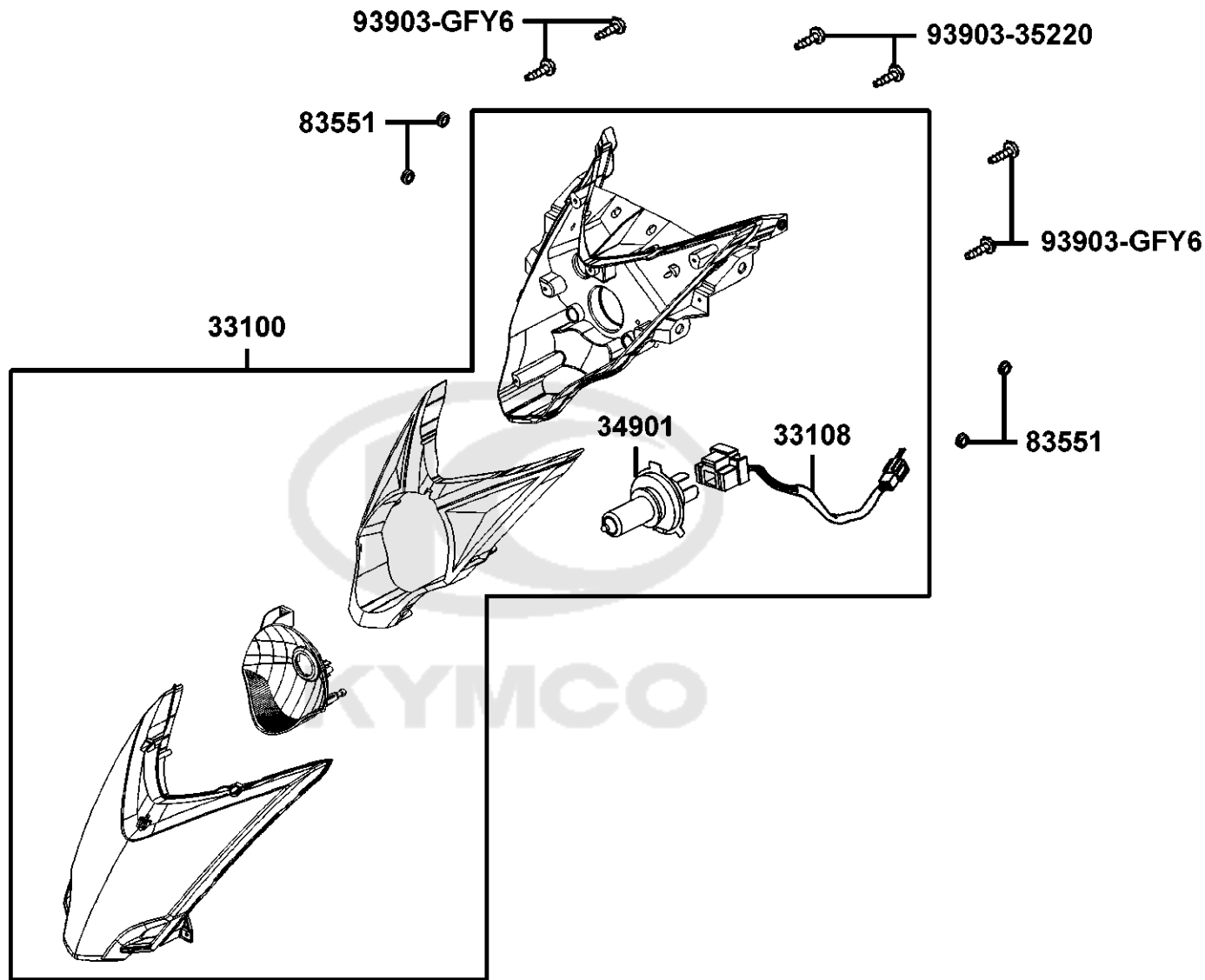
THROTTLE BODY ASSY

1



F01

Head Light

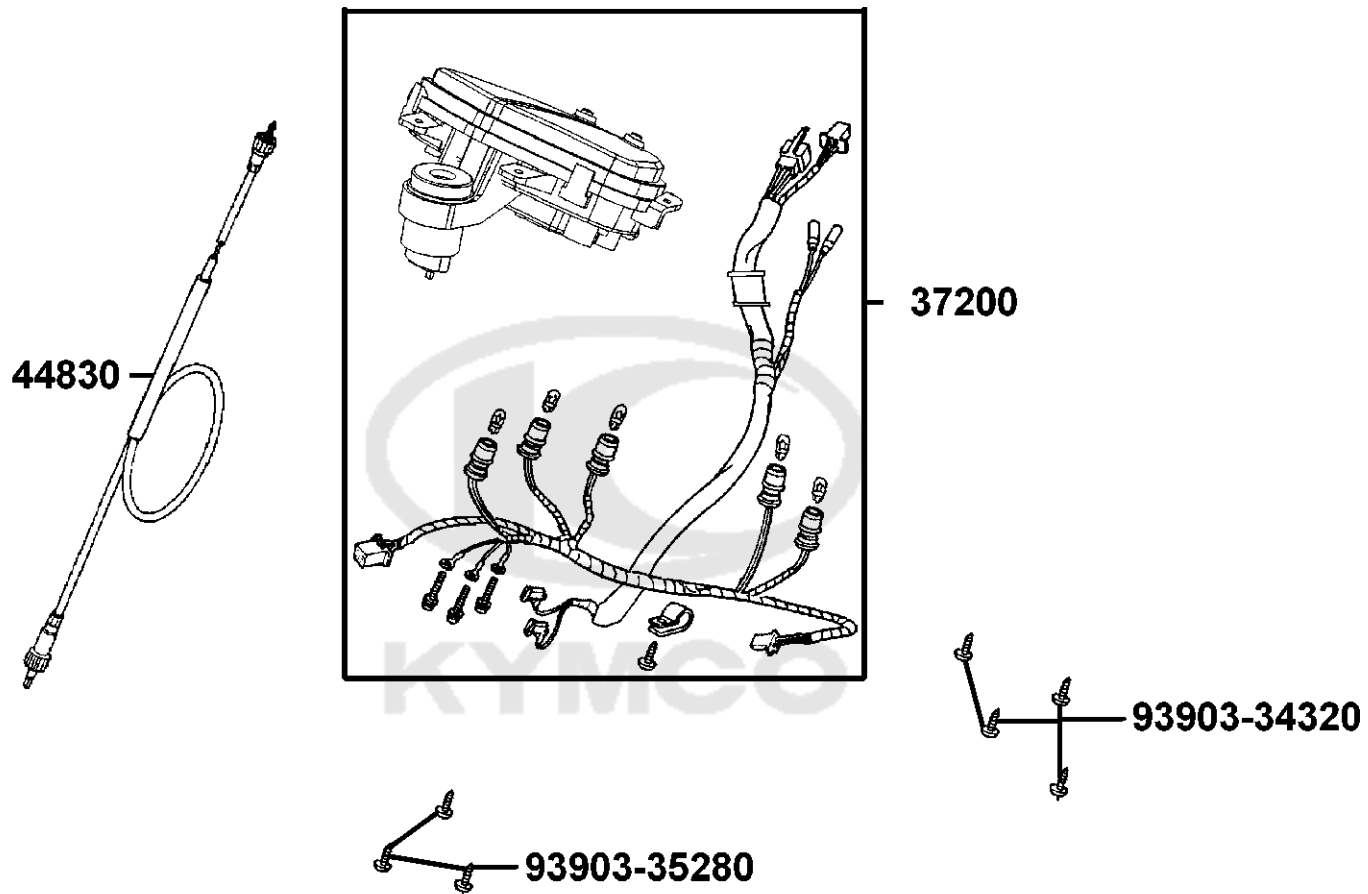


Sales mark	Ref no	Part no	Description	Reg description	Regd no	F01
	33100	33100-ALJ8-E10	LIGHT ASSY HEAD	LIGHT ASSY HEAD	1	
	33108	33108-ALJ8-E10	SOCKET COMP HEAD LIGHT	SOCKET COMP HEAD LIGHT	1	
	34901	34901-LDC8-E10	BULB HEAD LIGHT	BULB HEAD LIGHT	1	
	83551	83551-KEC8-C10	GROMMET COVER	GROMMET COVER	4	
	93903-35220	93903-35220-G	SCREW TAPPING 5*12	SCREW TAPPING 5*12	2	
	93903-GFY6	93903-GFY6-C01	SCREW TAPPING 4*14(K)	SCREW TAPPING 4*14(K)	4	



F02

Speedometer



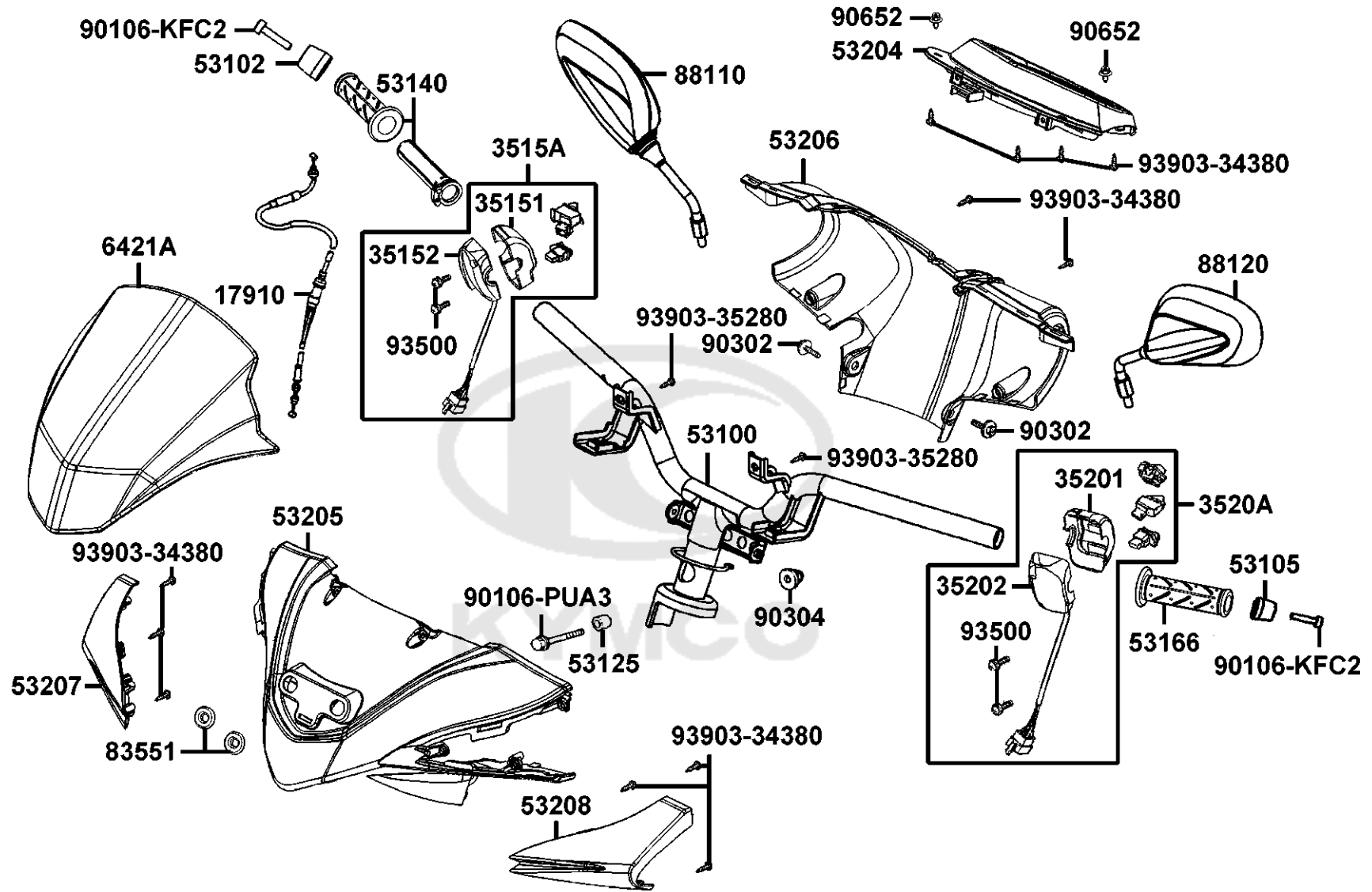
Sales mark	Ref no	Part no	Description	Reg description	Regd no	<b>F02</b>
------------	--------	---------	-------------	-----------------	---------	------------

37200		37200-AED9-E10	METER ASSY SPEED	METER ASSY SPEED	1	
44830		44830-LCD3-C00	CABLE COMP SPDMT	CABLE COMP SPDMT	1	
93903-34320		93903-34320-G	SCREW TAPPING 5*16 (C)	SCREW TAPPING 5*16 (C)	4	
93903-35280		93903-35280-G	SCREW TAPPING 5*12 (K)	SCREW TAPPING 5*12 (K)	3	



F03

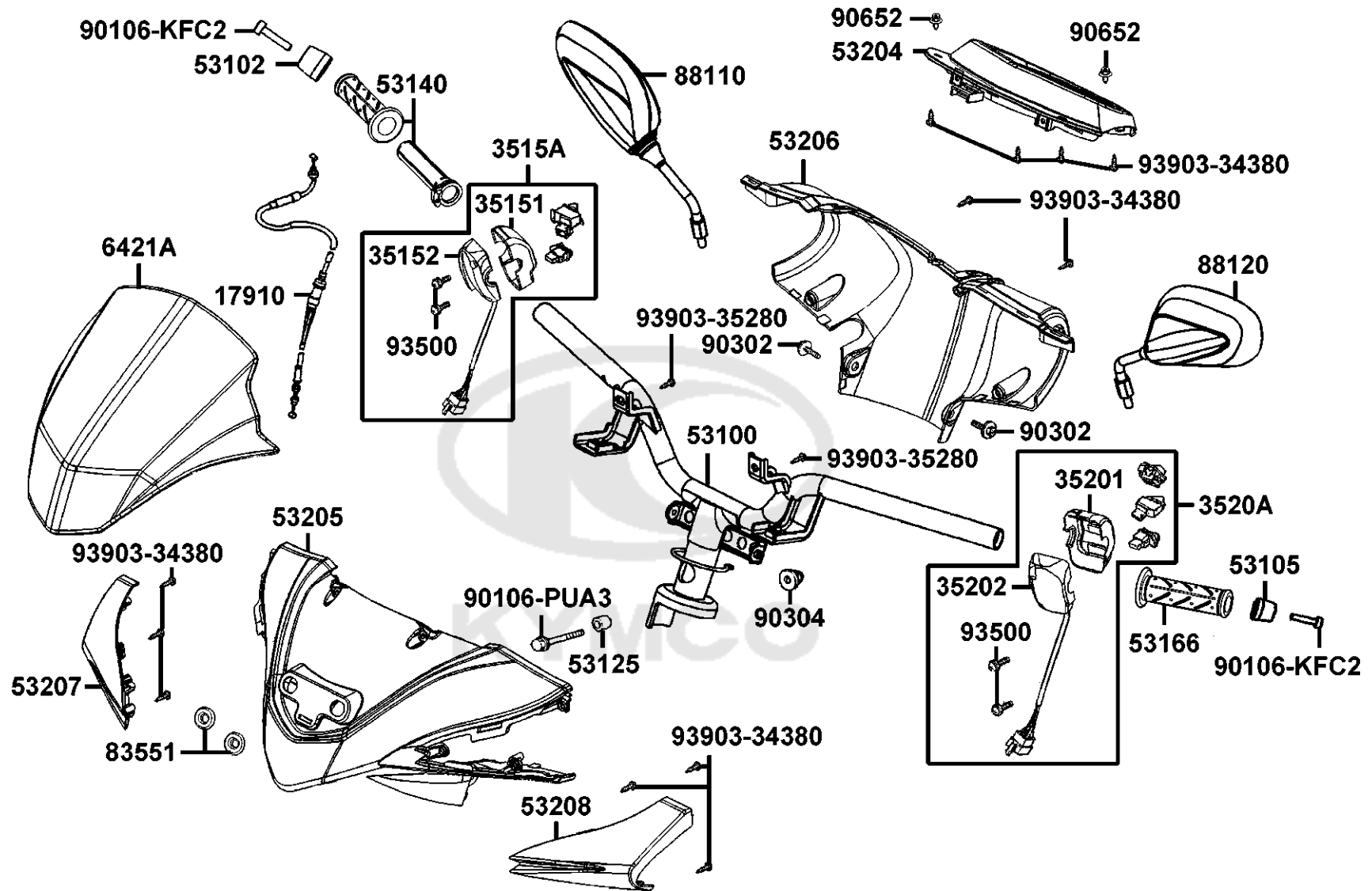
# Handle Steering Handle Cover



Sales mark	Ref no	Part no	Description	Reg description	Regd no	F03
	17910	17910-ALJ8-E10	CABLE COMPTHROTTLE	CABLE COMPTHROTTLE	1	
	17910	17910-ALJ8-E1D	CABLE COMPTHROTTLE	CABLE COMPTHROTTLE	1	
	35151	35151-LGB5-E10	FR CASE RH HNDL COMP SW	FR CASE RH HNDL COMP SW	1	
	35152	35152-LGB5-E10	RR CASE RH HNDL COMP SW	RR CASE RH HNDL COMP SW	1	
	3515A	3515A-LGB5-E10	SW ASSY RH HANDLE COMP	SW ASSY RH HANDLE COMP	1	
	3515A	3515A-LGB5-EV0	SW ASSY R HANDLE COMP	SW ASSY R HANDLE COMP	1	
	35201	35201-LGB5-E10	FR CASE LH HNDL COMP SW	FR CASE LH HNDL COMP SW	1	
	35202	35202-LGB5-E10	RR CASE LH HNDL SW COMP	RR CASE LH HNDL SW COMP	1	
	3520A	3520A-LGB5-E11	SW ASSY LH HANDLE COMP	SW ASSY LH HANDLE COMP	1	
	53100	53100-AED9-E10	HANDLE COMP STRG	HANDLE COMP STRG	1	
	53102	53102-ALJ8-E10	"END,L HANDLE"	"END,L HANDLE"	1	
	53105	53105-ALJ8-E10	"END,R HANDLE"	"END,R HANDLE"	1	
	53125	53125-GEN5-C00	COLLAR HANDLE SET	COLLAR HANDLE SET	1	
	53140	53140-ALJ8-E10	GRIP COMP THROT	GRIP COMP THROT	1	
**	53204	53204-ALJ8-E10	FR HANDLE COVER	FR HANDLE COVER	1	
**	53205	53205-ALJ8-E10	COVER HANDLE FRONT	COVER HANDLE FRONT	1	
**	53206	53206-ALJ8-E10	COVER RR HANDLE	COVER RR HANDLE	1	
**	53207	53207-ALJ8-E10	PROTECTOR R HANDLE	PROTECTOR R HANDLE	1	
**	53208	53208-ALJ8-E10	PROTECTOR L HANDLE	PROTECTOR L HANDLE	1	
	83551	83551-KKAK-C00	GROMMET AIR CLEANER CASE	GROMMET AIR CLEANER CASE	2	

F03

# Handle Steering Handle Cover



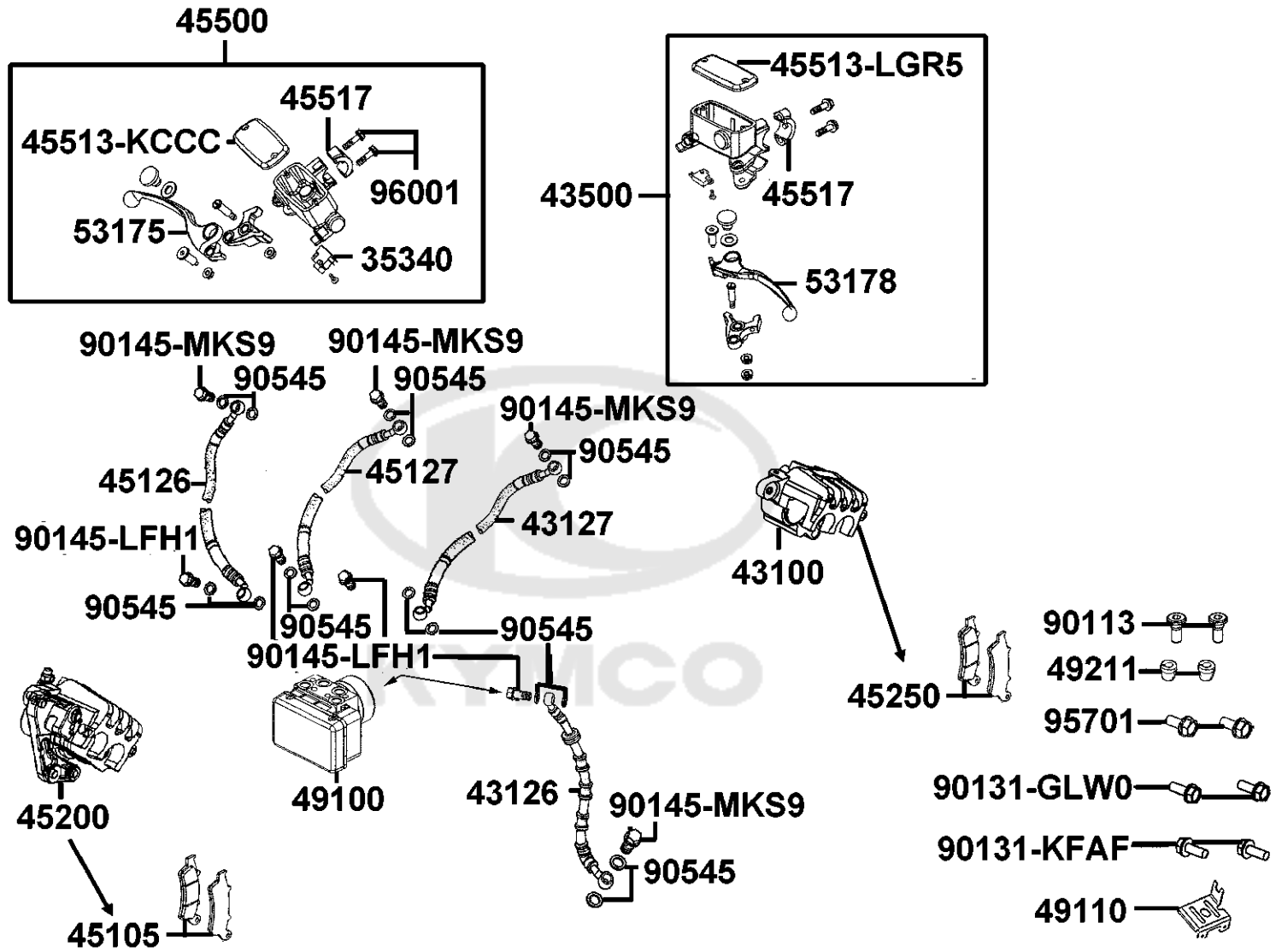


Sales mark	Ref no	Part no	Description	Reg description	Regd no	<b>F03</b>
**	88110	88110-LEB5-C11	MIRROR ASSY R BACK	MIRROR ASSY R BACK	1	
**	88120	88120-LEB5-C11	MIRROR ASSY L BACK	MIRROR ASSY L BACK	1	
	90106-KFC2	90106-KFC2-900	"BOLT-WASH.,8MM"	"BOLT-WASH.,8MM"	2	
	90106-PUA3	90106-PUA3-B50	BOLT FLANGE 10*50	BOLT FLANGE 10*50	1	
	90302	90302-LLB1-C01	BOLT-WASH 5*12	BOLT-WASH 5*12	2	
	90304	90304-GHE8-C01	NUT U 10MM(C)	NUT U 10MM(C)	1	
	90652	90652-LCA4-C10	CLIP MUDGUARD	CLIP MUDGUARD	2	
	93500	93500-05025	SCREW PAN 5*25	SCREW PAN 5*25	2	
	93903-34380	93903-34380-G	SCREW TAPPING 4*12 (K)	SCREW TAPPING 4*12 (K)	12	
	93903-35280	93903-35280-G	SCREW TAPPING 5*12 (K)	SCREW TAPPING 5*12 (K)	2	

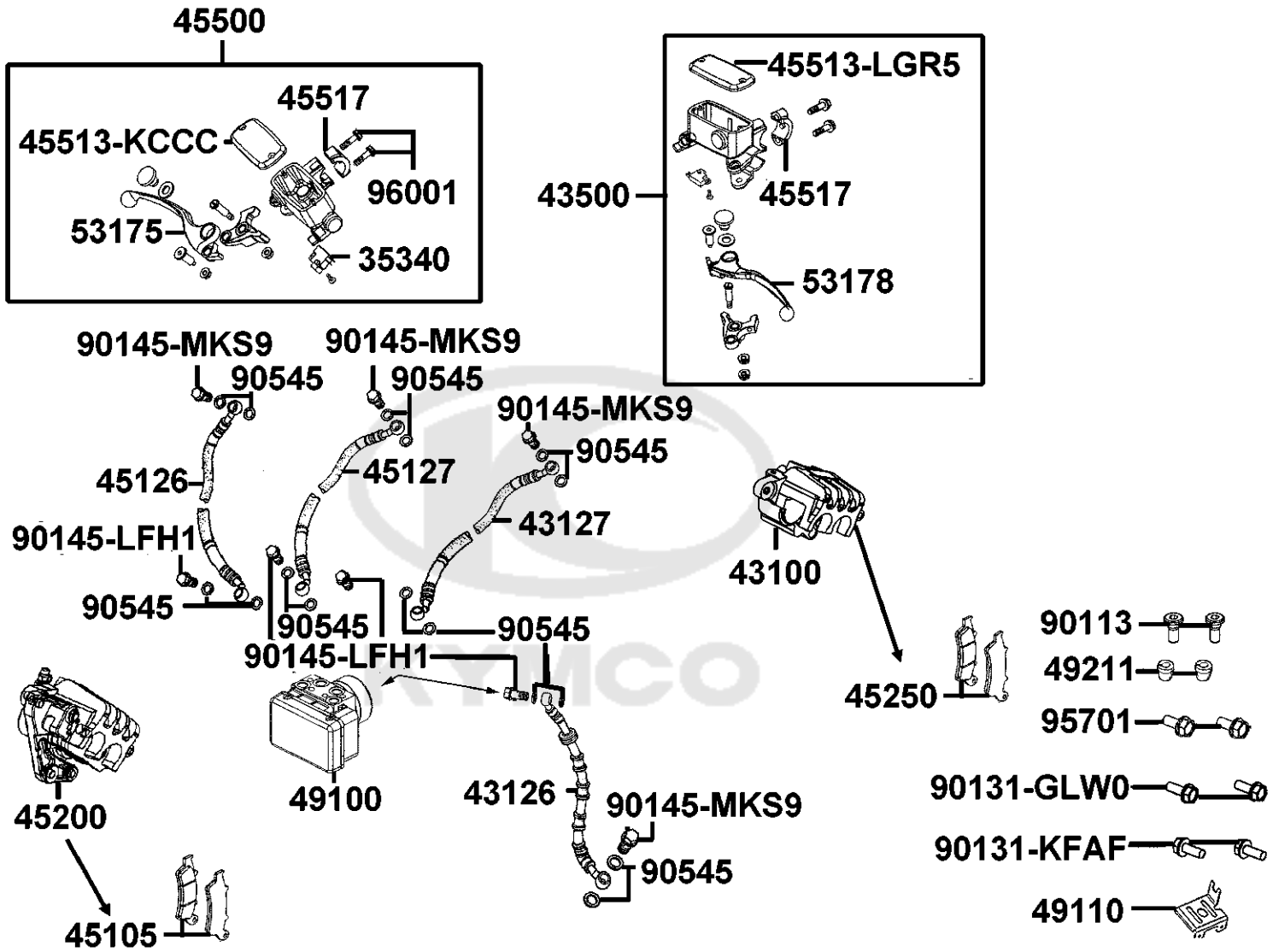


F04

# Brake Master Cylinder



Sales mark	Ref no	Part no	Description	Reg description	Regd no	F04
	35340	35340-KNBN-C00	SW ASSY FR STOP	SW ASSY FR STOP	1	
	43100	43100-AED9-E10	CALIPER ASSY.RR	CALIPER ASSY.RR	1	
	43126	43126-AED9-E10	HOSE ASSY RR BRK	HOSE ASSY RR BRK	1	
	43127	43127-AED9-E10	HCBS STAY	HCBS STAY	1	
	43500	43500-LFC3-E10	M/C ASY RR BRK	M/C ASY RR BRK	1	
	45105	45105-LHJ8-305	PAD COMP A AND B	PAD COMP A AND B	1	
	45126	45126-AED9-E10	HOSE ASSY FR BRK (ABS)	HOSE ASSY FR BRK (ABS)	1	
	45127	45127-AED9-E10	HCLAMPER FR BRK HOSE	HCLAMPER FR BRK HOSE	1	
	45200	45200-AED9-E10	CALIPER ASSY.FR	CALIPER ASSY.FR	1	
	45250	45250-LKG2-306	PAD SET	PAD SET	1	
	45500	45500-ALJ8-E10	M/C ASSY FR	M/C ASSY FR	1	
	45513-KCCC	45513-KCCC-900	CAP M/C	CAP M/C	1	
	45513-LGR5	45513-LGR5-E10	CAP M/C	CAP M/C	1	
	45517	45517-KFAF-910	HOLDER M/C	HOLDER M/C	1	
	49100	49100-AED9-E10	MODULATOR ASSY ABS	MODULATOR ASSY ABS	1	
	49110	49110-AED9-E10	ABS STAY	ABS STAY	1	
	49211	49211-LFH1-E00	RUBBER RUSH	RUBBER RUSH	1	
	53175	53175-KTCT-C01	LEVER R STRG HNDL	LEVER R STRG HNDL	1	
**	53178	53178-KNBN-C00	LEVER L STRG HANDLE	LEVER L STRG HANDLE	1	
	90113	90113-LGE5-C01	BOLT FLANGE 6*20 ABS	BOLT FLANGE 6*20 ABS	1	

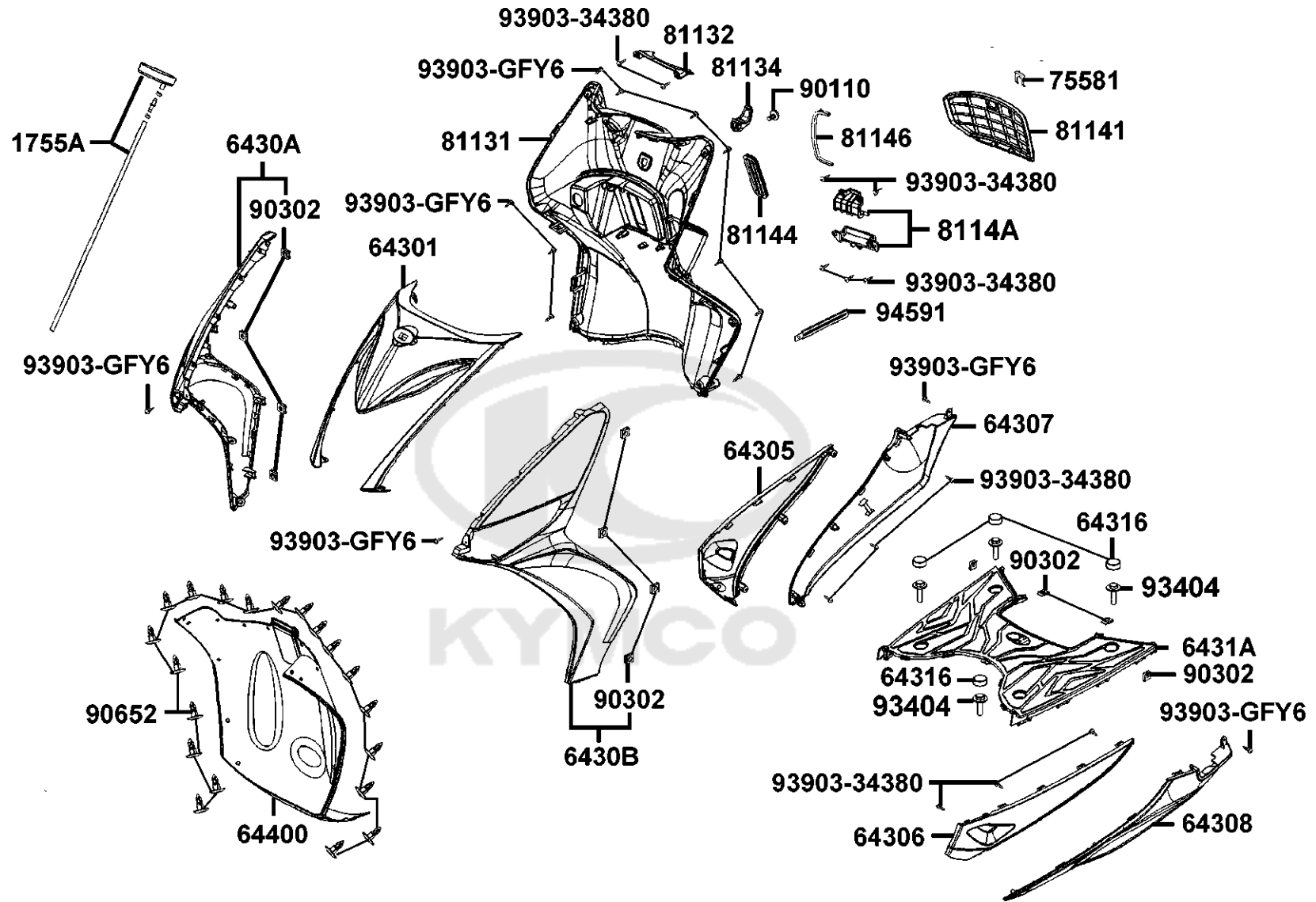


Sales mark	Ref no	Part no	Description	Reg description	Regd no	<b>F04</b>
	90131-GLW0	90131-GLW0-C03	BOLT FLANGE 8*35	BOLT FLANGE 8*35	1	
	90131-KFAF	90131-KFAF-C03	BOLT FLANGE 8*42	BOLT FLANGE 8*42	2	
	90145-LFH1	90145-LFH1-E00	OIL BOLT 10*33	OIL BOLT 10*33	1	
	90145-MKS9	90145-MKS9-61A	OIL BOLT 10*22	OIL BOLT 10*22	1	
	90545	90545-3L00-C00	WASHER OIL BOLT	WASHER OIL BOLT	1	
	95701	95701-06012-07G	BOLT FLANGE 6*12 (K)	BOLT FLANGE 6*12 (K)	1	
	96001	95701-06022-07G	BOLT FLANGE 6*22	BOLT FLANGE 6*22	1	



F05

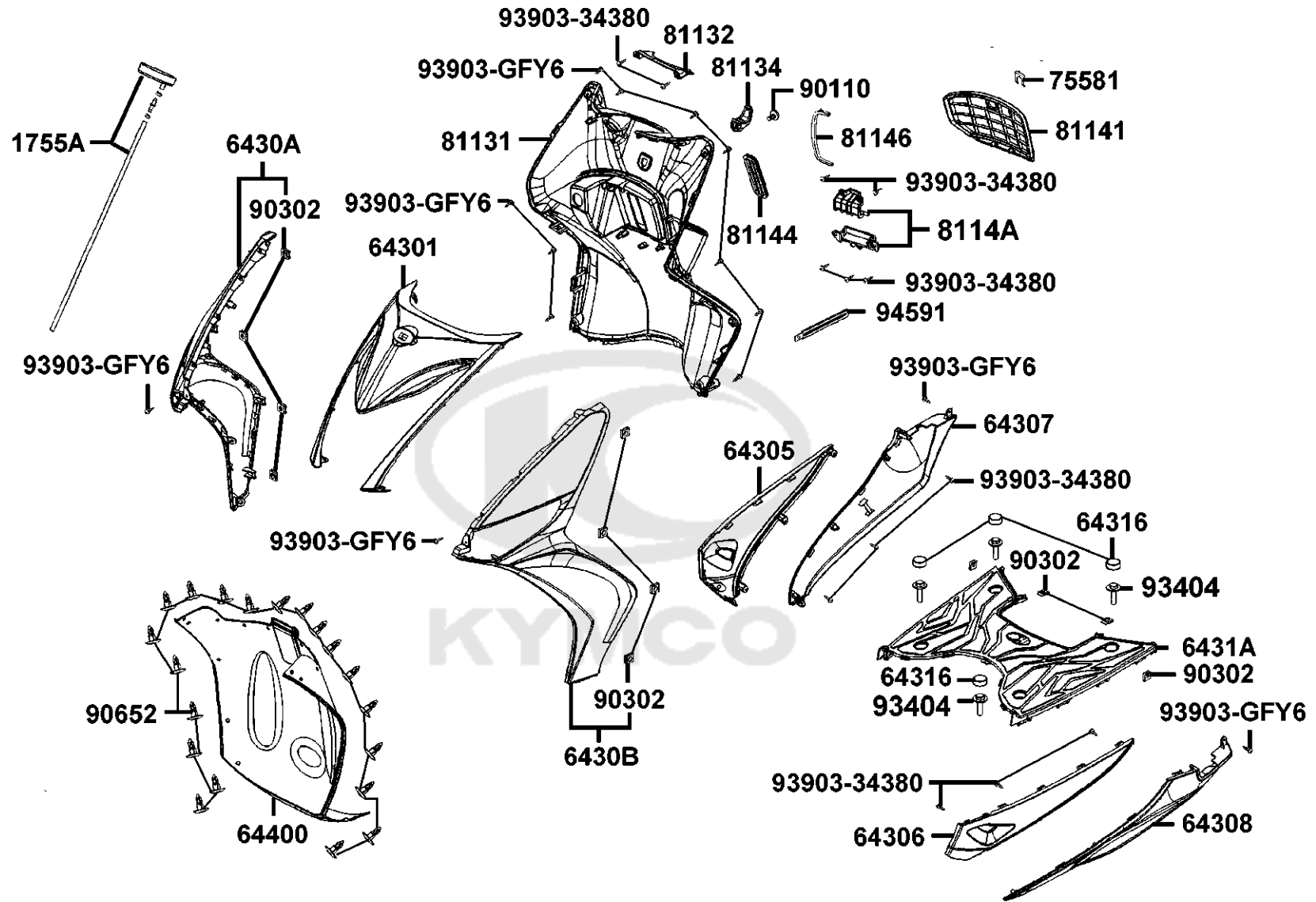
Front Cover Front Fender



Sales mark	Ref no	Part no	Description	Reg description	Regd no	F05
	1755A	1755A-ALJ8-E10	TRAY ASSY FUEL CAP	TRAY ASSY FUEL CAP	1	
**	64301	64301-ALJ8-E10	COVER FR	COVER FR	1	
**	64305	64305-ALJ8-E10	SKIRT R SIDE	SKIRT R SIDE	1	
**	64306	64306-ALJ8-E10	SKIRT L SIDE	SKIRT L SIDE	1	
**	64307	64307-ALJ8-E10	COVER R SIDE SKIRT	COVER R SIDE SKIRT	1	
**	64308	64308-ALJ8-E10	COVER L SIDE SKIRT	COVER L SIDE SKIRT	1	
**	6430A	6430A-ALJ8-E10	MOLD R FRONT ASSY	MOLD R FRONT ASSY	1	
**	6430B	6430B-ALJ8-E10	MOLDING FRONT COMP	MOLDING FRONT COMP	1	
**	64316	64316-LCB9-C10	PLUG FLOOR	PLUG FLOOR	1	
**	6431A	6431A-ALJ8-E10	FLOOR ASSY PANEL	FLOOR ASSY PANEL	1	
**	64400	64400-ALJ8-E10	COWL ASSY UNDER	COWL ASSY UNDER	1	
	75581	75581-6C73-C00	SET SPG LOCK KET(43*C)	SET SPG LOCK KET(43*C)	1	
**	81131	81131-ALJ8-E10	LEG SHIELD UP	LEG SHIELD UP	1	
**	81132	81132-ALJ8-E10	CAP LEG SHIELD UP	CAP LEG SHIELD UP	1	
	81134	81134-KGBG-C00	HOOK LUGGAGE	HOOK LUGGAGE	1	
**	81141	81141-ALJ8-E10	LID INNER BOX	LID INNER BOX	1	
	81144	81144-ALJ8-E10	LID LEG SHIELD	LID LEG SHIELD	1	
	81146	81146-ALJ8-E10	SEAL RUBBER A	SEAL RUBBER A	1	
**	8114A	8114A-ALJ8-E10	HING LID INNER ASSY	HING LID INNER ASSY	1	
	90110	90110-GLW0-C00	SCREW SPECIAL 6*14(CR)	SCREW SPECIAL 6*14(CR)	1	

F05

Front Cover Front Fender



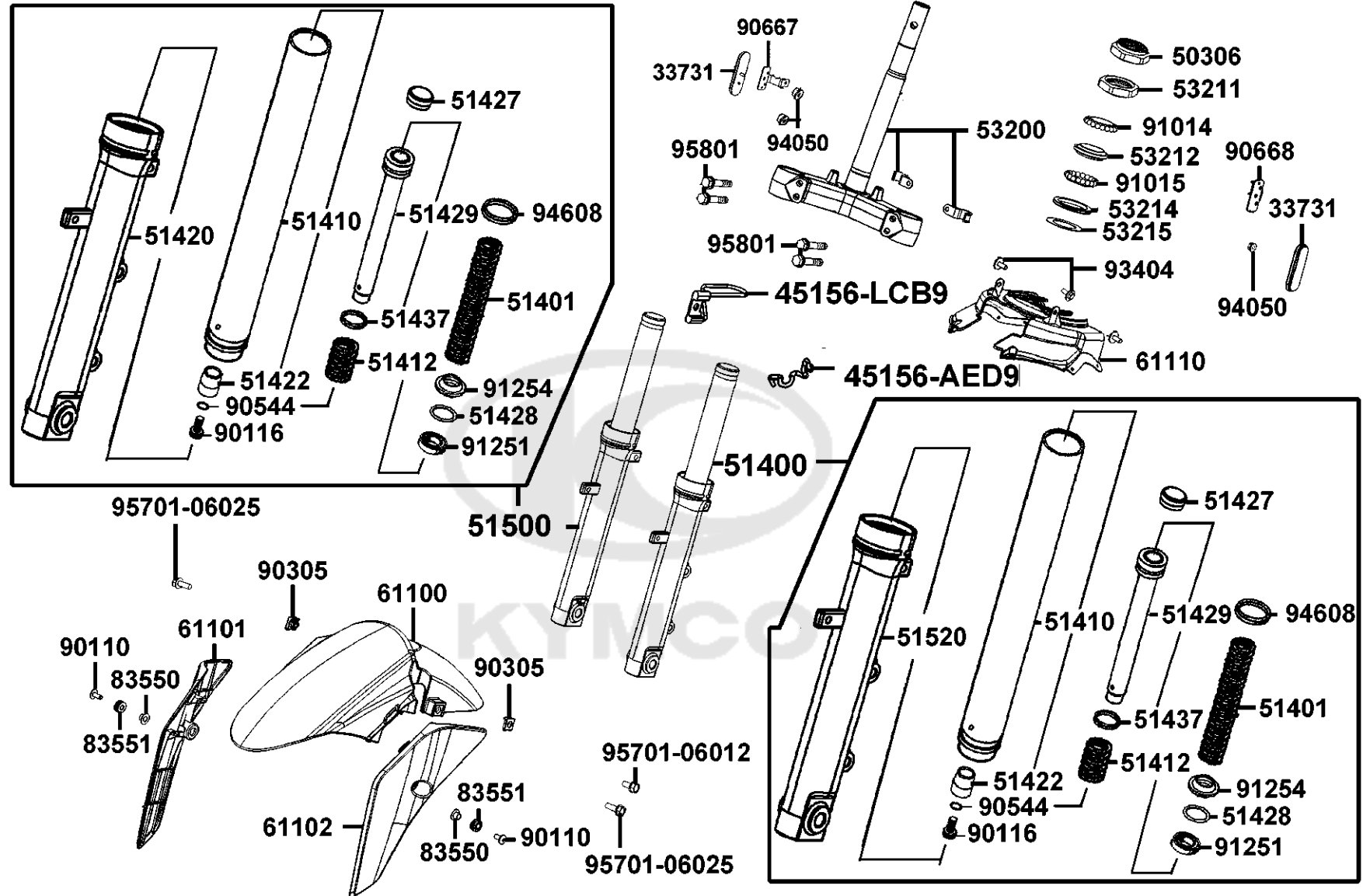


Sales mark	Ref no	Part no	Description	Reg description	Regd no	F05
90302	90302-SDA4-C01	90302-SDA4-C01	NUT SPRING 4MM	NUT SPRING 4MM	30	
90652	90652-LFB5-C00	90652-LFB5-C00	CLIP MUDGUARD	CLIP MUDGUARD	7	
93404	93404-06020-07G	93404-06020-07G	BOLT WASHER 6*20 (K)	BOLT WASHER 6*20 (K)	4	
93903-34380	93903-34380-G	93903-34380-G	SCREW TAPPING 4*12 (K)	SCREW TAPPING 4*12 (K)	13	
93903-GFY6	93903-GFY6-C01	93903-GFY6-C01	SCREW TAPPING 4*14(K)	SCREW TAPPING 4*14(K)	14	
94591	94591-LGR5-E10	94591-LGR5-E10	CLIP 1*100	CLIP 1*100	1	



F06

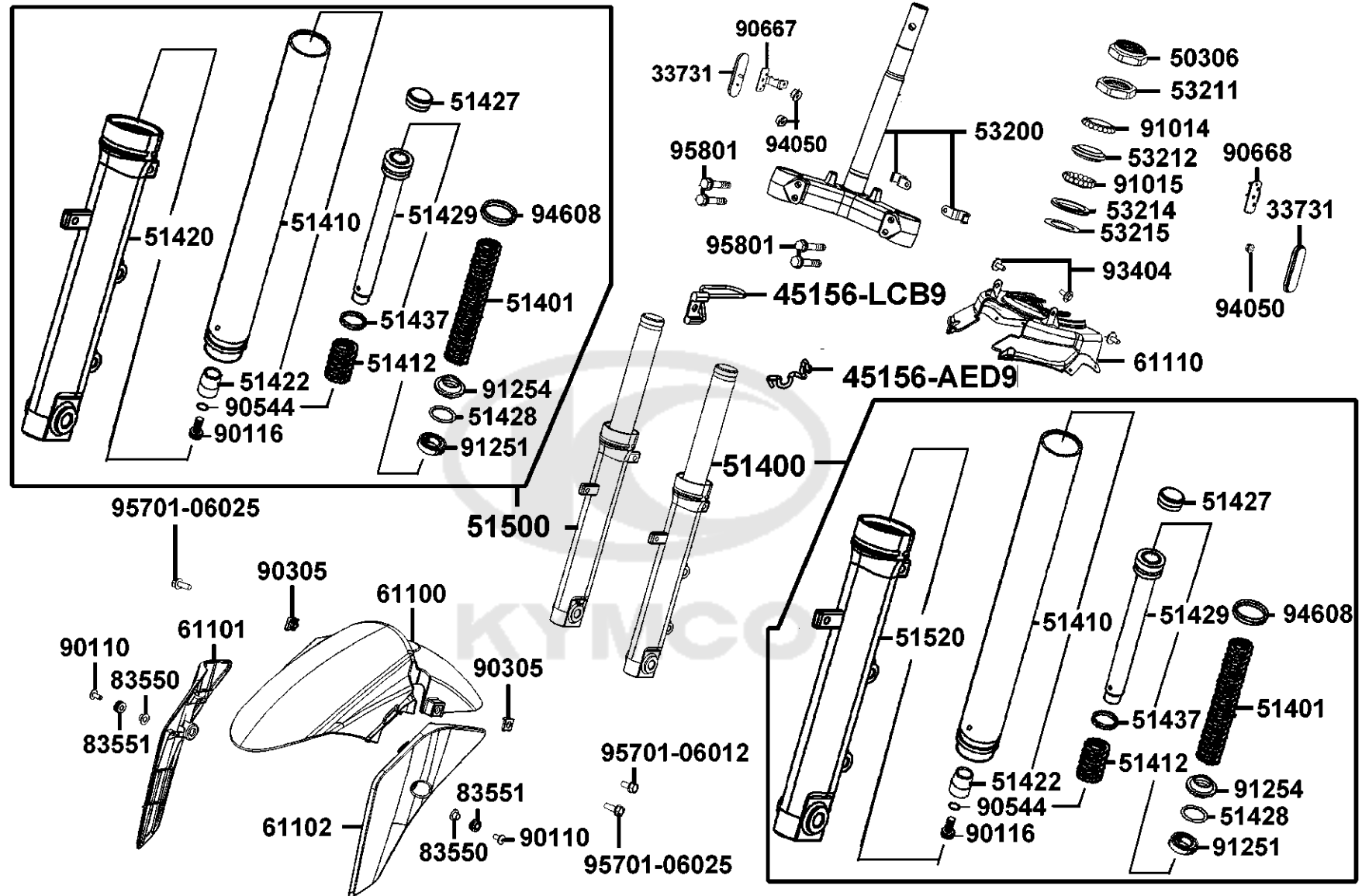
### Stem Steering Front Cushion



Sales mark	Ref no	Part no	Description	Reg description	Regd no	F06
	33731	33731-KGB5-C00	REFLEX REFLECTOR SIDE	REFLEX REFLECTOR SIDE	1	
	45156-AED9	45156-AED9-E10	CLIP .FR WIRE	CLIP .FR WIRE	1	
	45156-LCB9	45156-LCB9-B20	CLAMPER FR SPDMT CABLE ()	CLAMPER FR SPDMT CABLE ()	1	
	50306	50306-1F96-C00	NUT STRG STEM LOCK	NUT STRG STEM LOCK	1	
**	51400	51400-LFC3-E10	FORK ASSY R FR	FORK ASSY R FR	1	
	51401	51401-LFC3-E10	SPRING	SPRING	2	
	51410	51410-LEJ2-E10	FORK PIPE COMP	FORK PIPE COMP	1	
	51412	51412-LEJ2-E10	REBOUND SPRING	REBOUND SPRING	1	
**	51420	51420-LFC2-E10	BOTTOM CASE RH	BOTTOM CASE RH	1	
	51422	51422-LEJ2-E10	OIL LOCK PIECE	OIL LOCK PIECE	1	
	51427	51427-LEJ2-E10	FORK BOLT	FORK BOLT	1	
	51428	51428-LEJ2-E10	OIL SEAL STOPPER	OIL SEAL STOPPER	1	
	51429	51429-LFC3-E10	PIPE SEAT	PIPE SEAT	1	
	51437	51437-LEJ2-E10	PISTON RING	PISTON RING	1	
**	51500	51500-AED9-E10	FORK ASSY LH FR	FORK ASSY LH FR	1	
**	51520	51520-AED9-E10	BOTTOM CASE L	BOTTOM CASE L	1	
	53200	53200-LFC2-E10	STEM COMP STRG	STEM COMP STRG	1	
	53211	53211-GFY6-C00	RACE STRG TOP CONE	RACE STRG TOP CONE	1	
	53212	53212-2L50-C00	RACE (STRG BOTTOM) CONE	RACE (STRG BOTTOM) CONE	1	
	53214	53214-2L50-C00	DUST SEAL STRG (HEAD)	DUST SEAL STRG (HEAD)	1	

F06

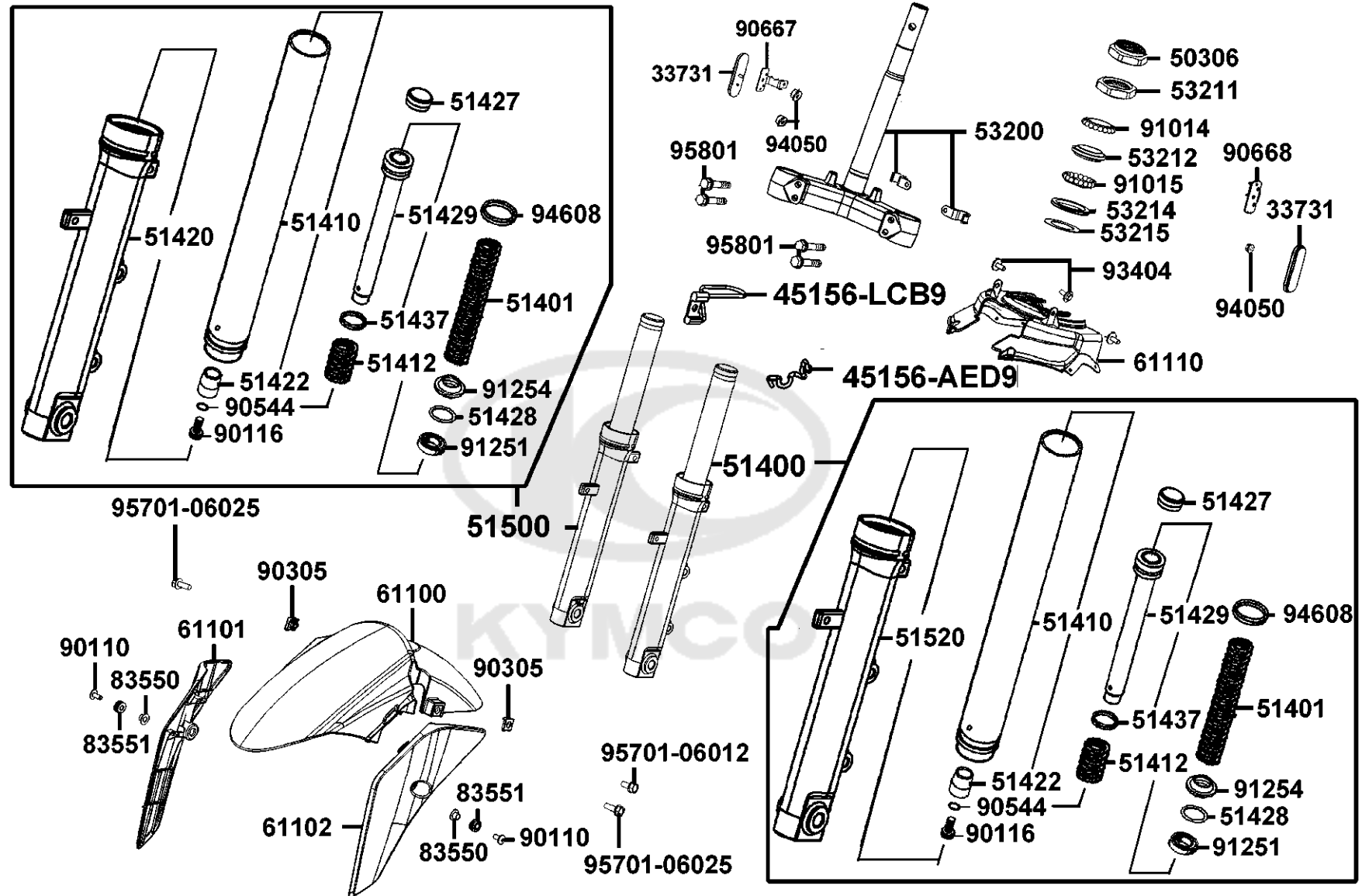
### Stem Steering Front Cushion



Sales mark	Ref no	Part no	Description	Reg description	Regd no	F06
	53215	53215-2L50-C00	WASH STRG HDL DUST-SEAL	WASH STRG HDL DUST-SEAL	1	
**	61100	61100-ALJ8-E10	FENDER FR INNER	FENDER FR INNER	1	
**	61101	61101-ALJ8-E10	FENDER B R FR	FENDER B R FR	1	
**	61102	61102-ALJ8-E10	FENDER B L FR	FENDER B L FR	1	
**	61110	61110-ALJ8-E10	FENDER FR INNER	FENDER FR INNER	1	
	83550	83550-KEC8-C00	COLLAR	COLLAR	2	
	83551	83551-KEC8-C10	GROMMET COVER	GROMMET COVER	2	
	90110	90110-KEB7-C01	SCREW SPECIAL 6*14	SCREW SPECIAL 6*14	2	
	90116	90116-LEJ2-E10	BOLT	BOLT	1	
	90305	90305-GHK8-C01	NUT U 16MM(C)	NUT U 16MM(C)	2	
	90544	90544-LEJ2-E10	PACKINGCUB	PACKINGCUB	1	
	90667	90667-LFC2-MG0	"STAY,R/L,SIDE REFLECTOR"	"STAY,R/L,SIDE REFLECTOR"	1	
	90668	90668-AED9-E10	STAY SIDE REFLECTOR	STAY SIDE REFLECTOR	1	
	91014	91014-LLJ3-C00	CAGE STRG TOPP	CAGE STRG TOPP	1	
	91015	91015-LLJ3-C00	CAGE STRG BOT	CAGE STRG BOT	1	
	91251	91251-LEJ2-E10	OIL SEAL	OIL SEAL	1	
	91254	91254-LEJ2-E10	DUST SEAL	DUST SEAL	1	
	93404	93404-06012-07G	BOLT WASH 6*12	BOLT WASH 6*12	2	
	94050	94050-06080-G	NUT FLANGE 6MM	NUT FLANGE 6MM	1	
	94608	94608-LEJ2-E10	O-RING B	O-RING B	1	

F06

### Stem Steering Front Cushion



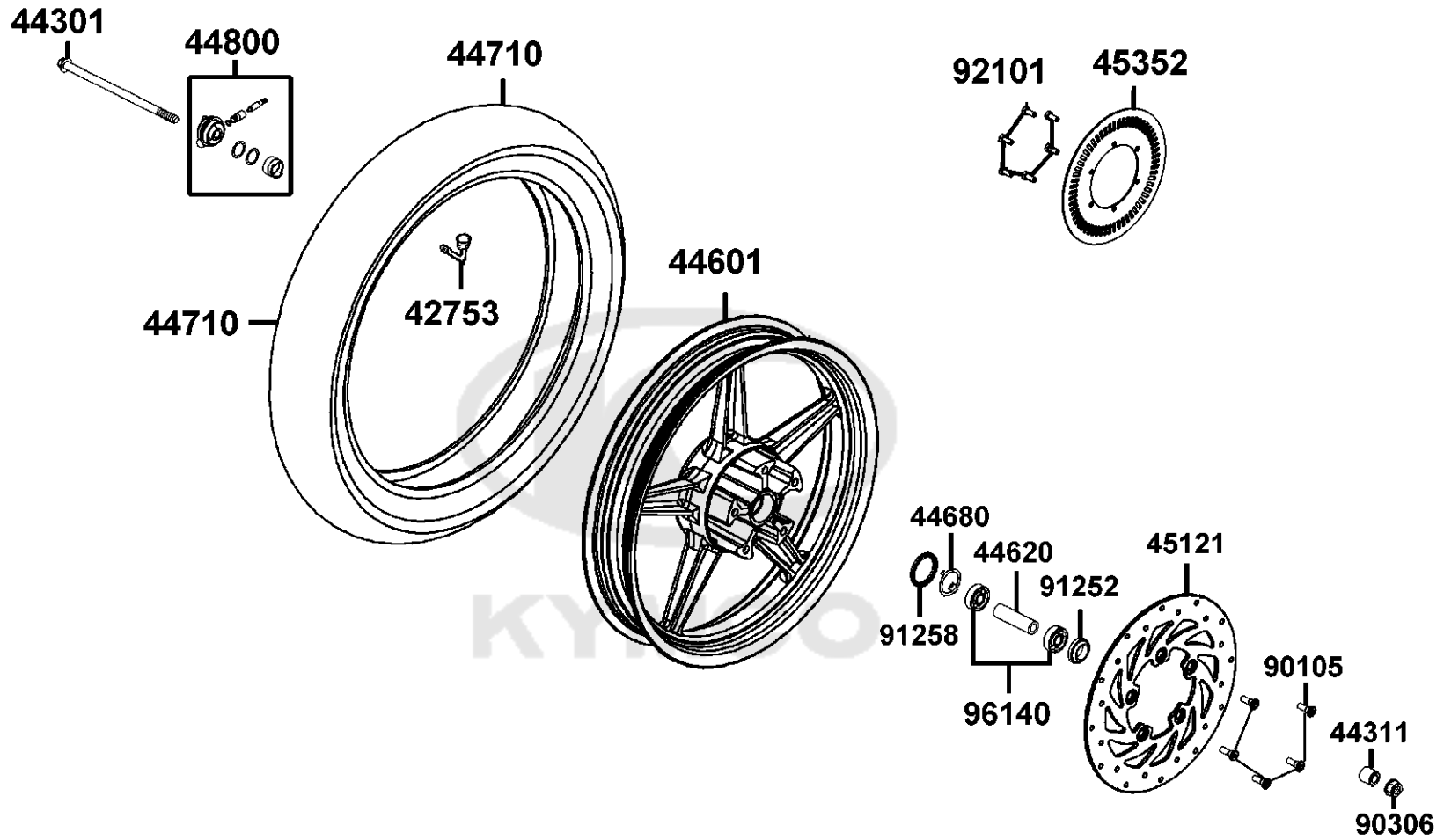
Sales mark	Ref no	Part no	Description	Reg description	Regd no	<b>F06</b>
------------	--------	---------	-------------	-----------------	---------	------------

95701-06012		95701-06012-07	BOLT FLANGE 6*12(K)	BOLT FLANGE 6*12(K)	1	
95701-06025		95701-06025-07G	BOLT FLANGE 6*25	BOLT FLANGE 6*25	2	
95801		95801-08040-08G	BOLT FLANGE 8*40 (C)	BOLT FLANGE 8*40 (C)	4	



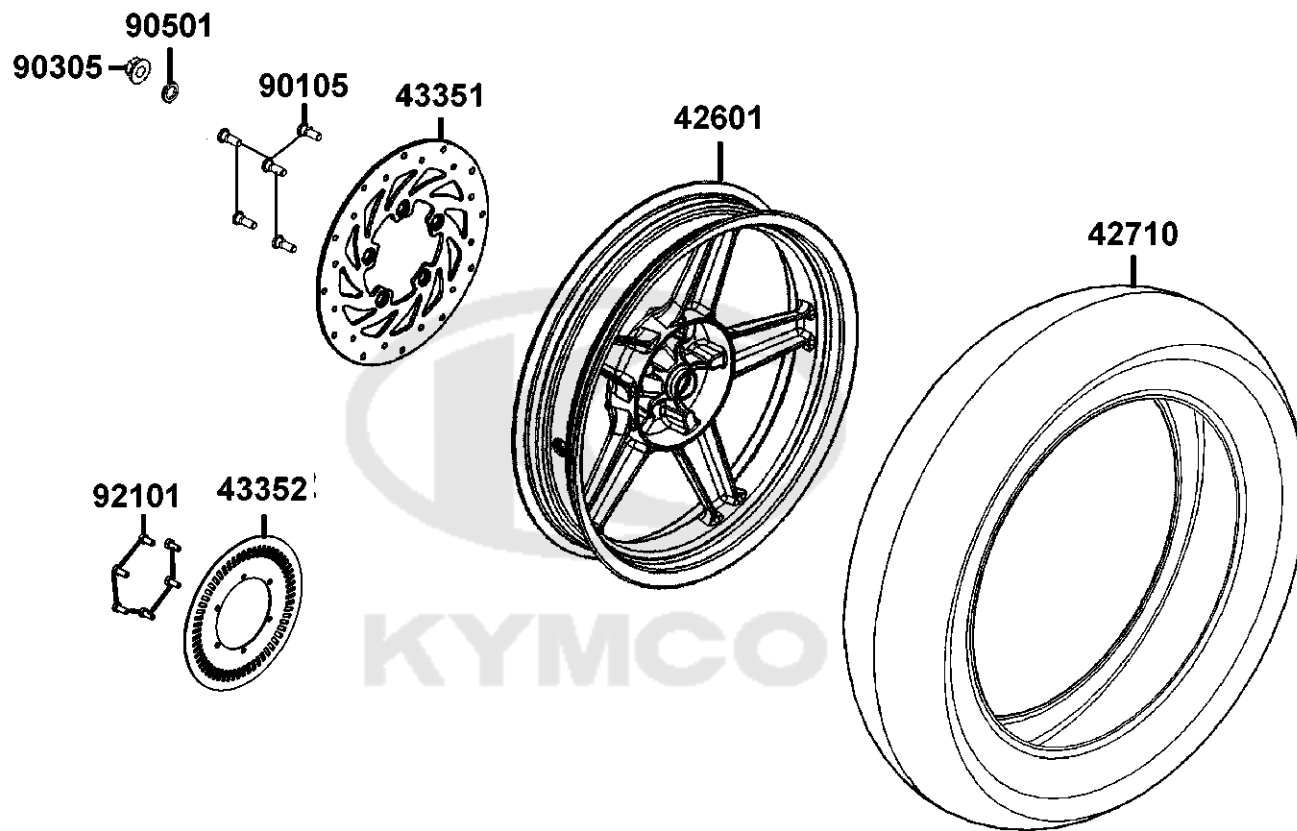
F07

Front Wheel





Sales mark	Ref no	Part no	Description	Reg description	Regd no	F07
	42753	42753-0A01-C00	VALVE (TR 412) & CAP (C)	VALVE (TR 412) & CAP (C)	1	
	44301	44301-LEJ2-E13	AXLE FR WHEEL 12*243(K)	AXLE FR WHEEL 12*243(K)	1	
	44311	44311-LFC2-E10	COLLAR FR WHEEL SIDE	COLLAR FR WHEEL SIDE	1	
**	44601	44601-AED9-E10	WHEEL FR CAST	WHEEL FR CAST	1	
	44620	44620-KFLF-C00	COLLAR FR DIST	COLLAR FR DIST	1	
	44680	44680-4L10-C00	RETAINER GEAR BOX	RETAINER GEAR BOX	1	
	44710	44710-LFC4-E91	TIRE FR	TIRE FR	1	
	44800	44800-LKD1-E10	GEAR BOX ASSY SPDMT	GEAR BOX ASSY SPDMT	1	
	45121	45121-LFC2-E80	DISK FR BRK	DISK FR BRK	1	
	45352	45352-AED9-E10	DISK FR BRK	DISK FR BRK	1	
	90105	90105-KCR3-C02	BOLT FR DISK 8*24	BOLT FR DISK 8*24	5	
	90306	90306-LKL5-E31	NUT U FLANGE 12MM	NUT U FLANGE 12MM	1	
	91252	91252-0L30-004	OIL SEAL 23*37*7	OIL SEAL 23*37*7	1	
	91252	91252-0L30-C00	OIL SEAL 23*37*7	OIL SEAL 23*37*7	1	
	91258	91258-4L10-007	DUST SEAL 40*50*5	DUST SEAL 40*50*5	1	
	92101	92101-05012-0HG	BOLT HEX 5*12 (C)	BOLT HEX 5*12 (C)	1	
	96140	96140-63010-10	BEARING BALL RADIAL 6301	BEARING BALL RADIAL 6301	1	

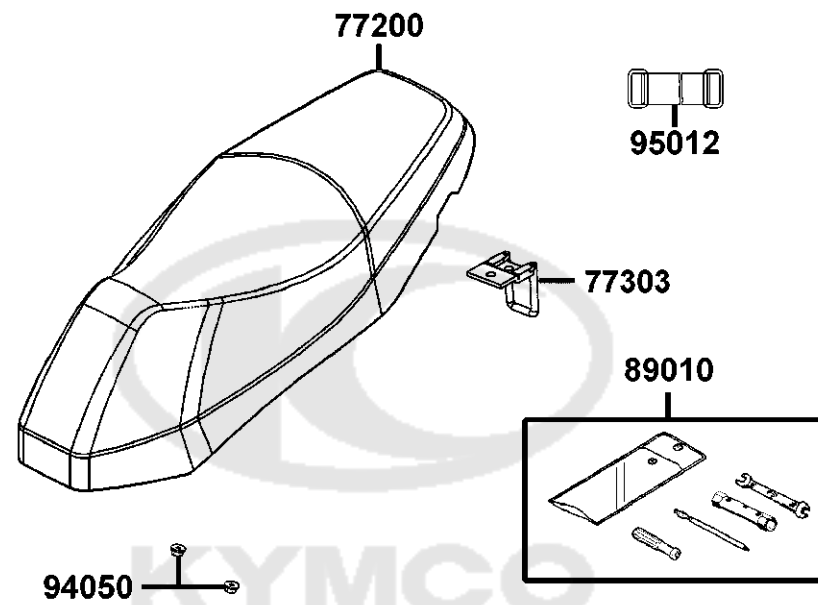


Sales mark	Ref no	Part no	Description	Reg description	Regd no	<b>F08</b>
**	42601	42601-AED9-E10	WHEEL FR CAST	WHEEL FR CAST	1	
	42710	42710-ALJ8-E10	TIRE ASSY RR	TIRE ASSY RR	1	
	43351	43351-LFC3-E80	DISK RR BRK	DISK RR BRK	1	
	43352	43352-AED9-E10	TOOTHED RING SENSOR	TOOTHED RING SENSOR	1	
	90105	90105-KCR3-C02	BOLT FR DISK 8*24	BOLT FR DISK 8*24	5	
	90305	90305-KNBN-C03	NUT U 16MM(C)	NUT U 16MM(C)	1	
	90501	90501-KNBN-C01	WASHER 16MM	WASHER 16MM	1	
	92101	92101-05012-0HG	BOLT HEX 5*12 (C)	BOLT HEX 5*12 (C)	1	



F09

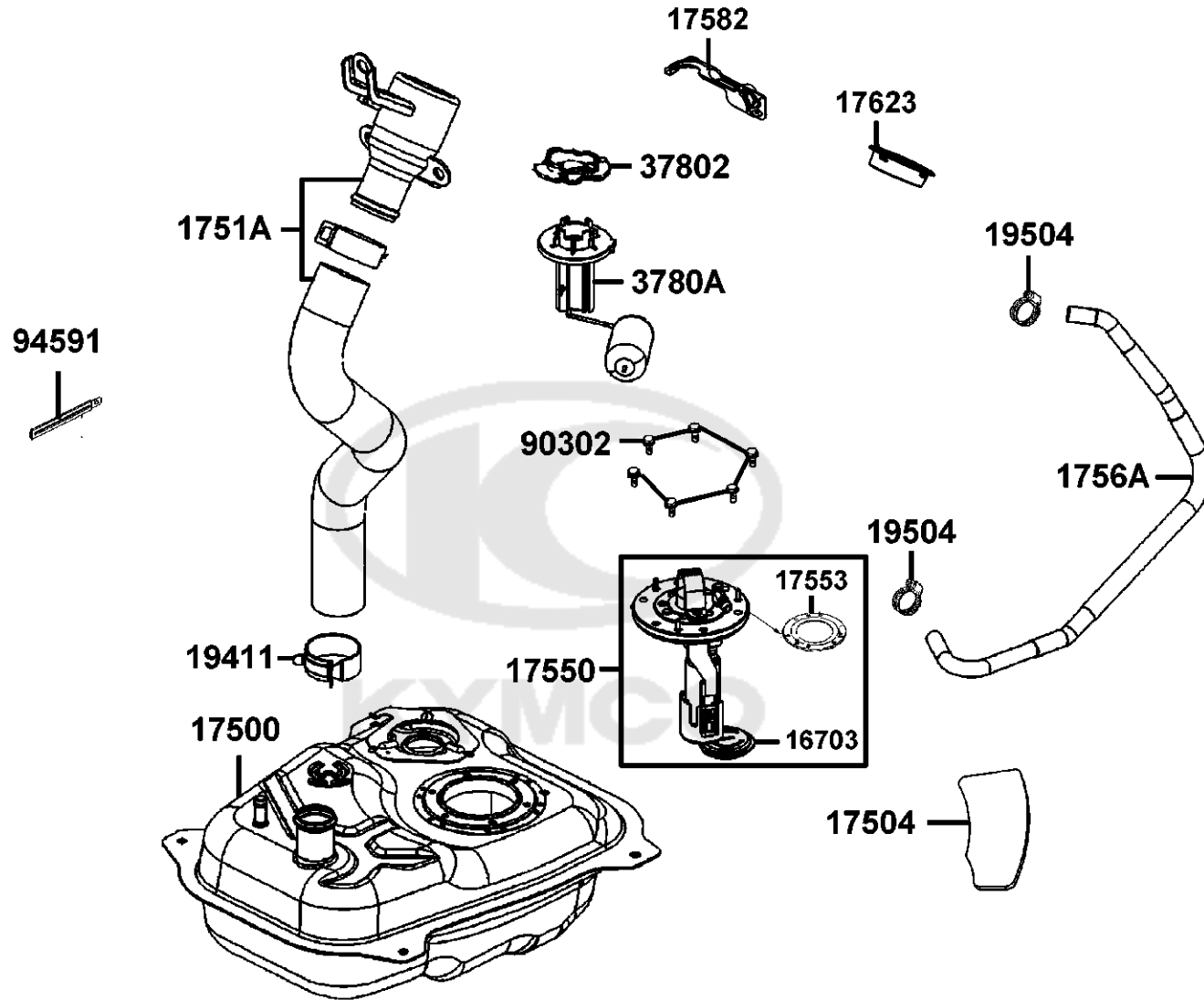
Seat



Sales mark	Ref no	Part no	Description	Reg description	Regd no	<b>F09</b>
------------	--------	---------	-------------	-----------------	---------	------------

**	77200	77200-ALJ8-E10	SEAT ASSY	SEAT ASSY	1	
	77303	77303-LAB4-C00	HOOK. SEAT LOCK	HOOK. SEAT LOCK	1	
	89010	89010-KGBG-C00	TOOL SET	TOOL SET	1	
	94050	94050-06080-G	NUT FLANGE 6MM	NUT FLANGE 6MM	2	
	95012	95012-KGE2-C10	BATTERY BAND	BATTERY BAND	1	





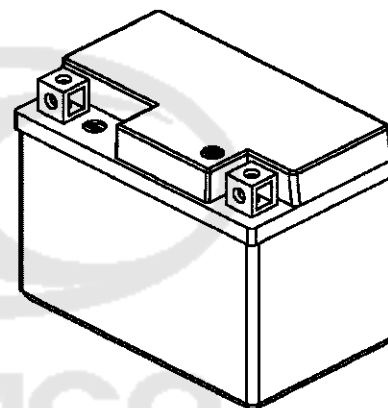
Sales mark	Ref no	Part no	Description	Reg description	Regd no	<b>F10</b>
	16703	16703-LKD2-M90	FUEL FILTER COMP	FUEL FILTER COMP	1	
	17500	17500-ALJ8-E10	TANK COMP FUEL	TANK COMP FUEL	1	
	17504	17504-ALJ8-E10	SPONGE TANK	SPONGE TANK	1	
	1751A	1751A-ALJ9-E15	FUEL PIPE ASSY	FUEL PIPE ASSY	1	
	17550	17550-ALJ8-E10	FUEL PUMP ASSY	FUEL PUMP ASSY	1	
	17553	17553-LEB2-900	PACKING PUMP	PACKING PUMP	1	
	1756A	1756A-ALJ8-E10	TUBE PUMP INJECTOR	TUBE PUMP INJECTOR	1	
**	17582	17582-ALJ8-E10	HEAT GUARD FUEL TANK	HEAT GUARD FUEL TANK	1	
**	17623	17623-ALJ8-E10	COLLAR FUEL CAP	COLLAR FUEL CAP	1	
	19411	19411-KBCB-900	CLIP HOSE	CLIP HOSE	1	
	19504	19504-LBA2-C00	CLAMP D16.8	CLAMP D16.8	1	
	37802	37802-GGA7-C00	RET FUEL UNIT	RET FUEL UNIT	1	
	3780A	3780A-ALJ8-E10	FUEL UNIT ASSY	FUEL UNIT ASSY	1	
	90302	90302-GFY6-C11	BOLT-WASH 5*16	BOLT-WASH 5*16	1	
	94591	94591-LGR5-E10	CLIP 1*100	CLIP 1*100	1	

F11

Battery

98200-11000 

98200-11500 



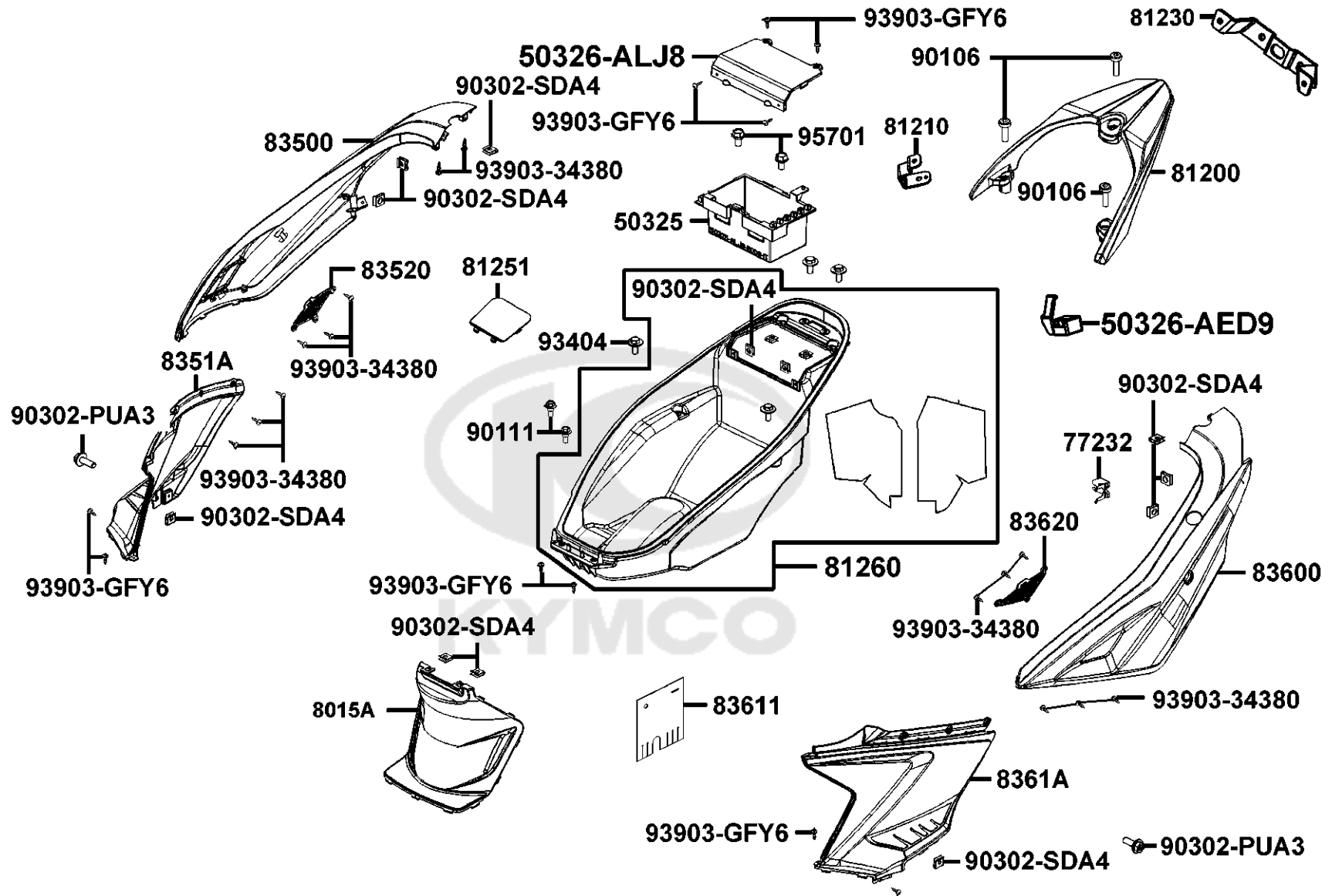
31500

KYMCO

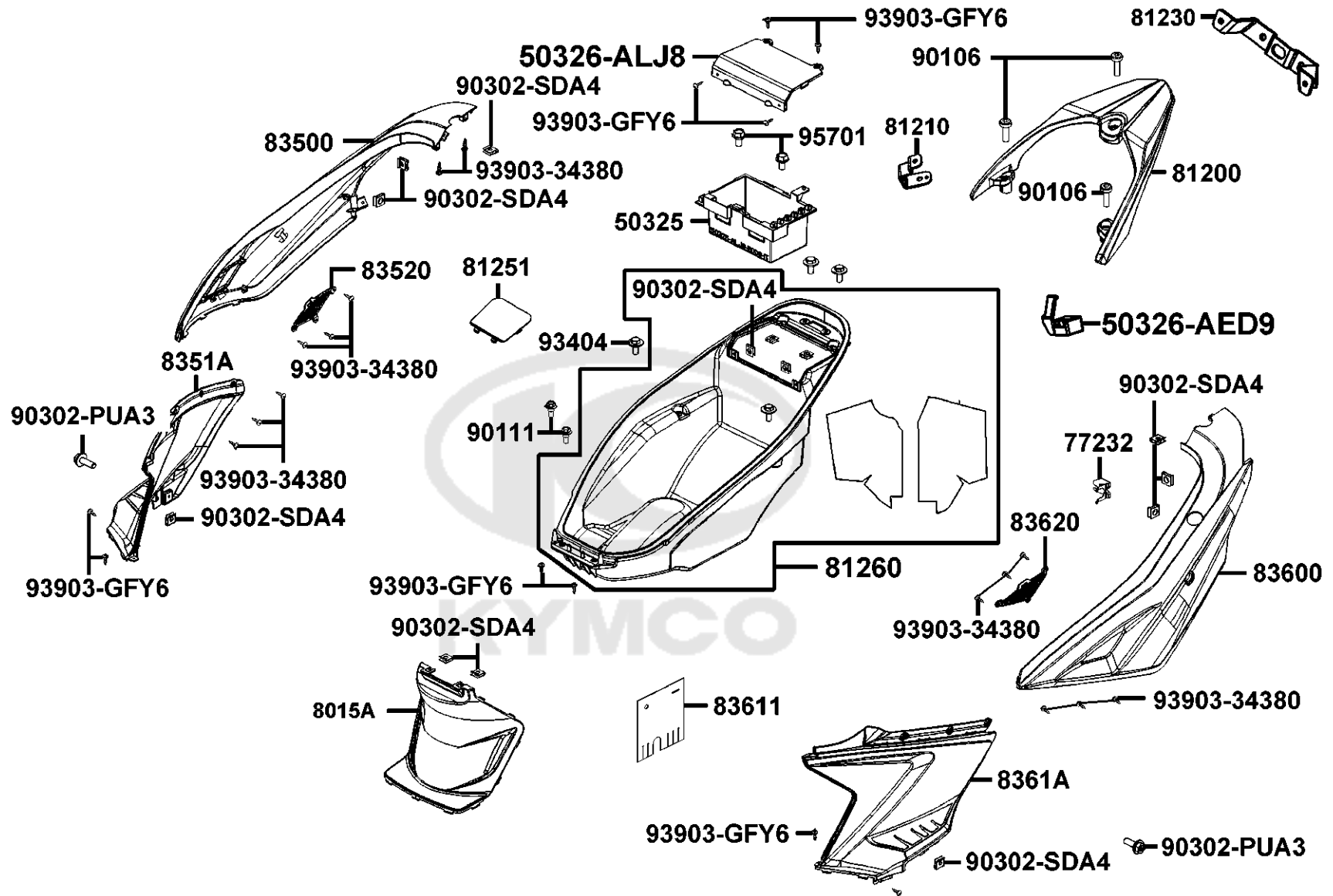



Sales mark	Ref no	Part no	Description	Reg description	Regd no	F11
	31500	31500-KFAF-C00	BATTERY	BATTERY	1	
	31500	31500-KFAF-C0B	BATTERY GTX9-BS	BATTERY GTX9-BS	1	
	98200-11000	98200-11000	FUSE A10	FUSE A10	1	
	98200-11500	98200-11500	FUSE A15	FUSE A15	1	

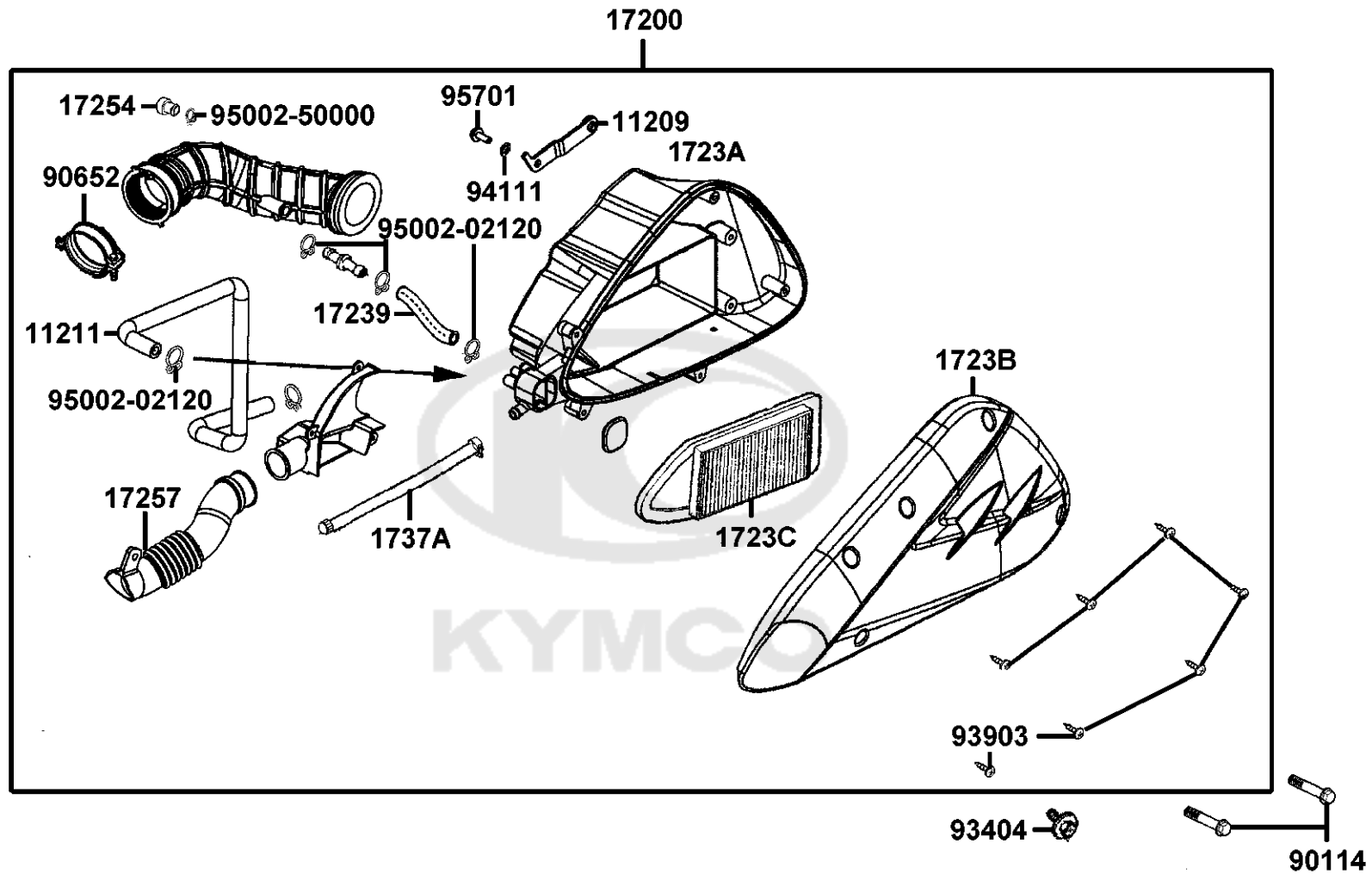




Sales mark	Ref no	Part no	Description	Reg description	Regd no	F12
**	50325	50325-ALJ8-E10	CASE BATTERY	CASE BATTERY	1	
**	50326-AED9	50326-AED9-E10	COVER BATTERY	COVER BATTERY	1	
**	50326-ALJ8	50326-ALJ8-E10	COVER BATTERY	COVER BATTERY	1	
	77232	77232-KCAC-C00	SET SPG SEAT LOCK	SET SPG SEAT LOCK	1	
**	8015A	8015A-ALJ8-E10	COVER ASSY CENTER	COVER ASSY CENTER	1	
**	81200	81200-ALJ8-E10	CARRIER ASSY REAR	CARRIER ASSY REAR	1	
	81210	81210-ALJ8-E10	STAY CARRIRE	STAY CARRIRE	1	
	81230	81230-ALJ8-E10	STAY RR BOX	STAY RR BOX	1	
**	81251	81251-AAD3-C00	"LID,LUG.BOX"	"LID,LUG.BOX"	1	
**	81260	81260-ALJ8-E10	BOX LUGGAGE	BOX LUGGAGE	1	
**	83500	83500-ALJ8-E10	COVER R BODY	COVER R BODY	1	
**	8351A	8351A-ALJ8-E10	COVER R RR SIDE	COVER R RR SIDE	1	
**	83520	83520-ALJ8-E10	LID R BODY COVER	LID R BODY COVER	1	
**	83600	83600-ALJ8-E10	COVER L BODY	COVER L BODY	1	
	83611	83611-ALJ8-E10	PLATE SPLASH BOARD	PLATE SPLASH BOARD	1	
**	8361A	8361A-ALJ8-E10	COVER L RR SIDE	COVER L RR SIDE	1	
**	83620	83620-ALJ8-E10	LID L BODY COVER	LID L BODY COVER	1	
	90106	90106-KFC2-900	"BOLT-WASH.,8MM"	"BOLT-WASH.,8MM"	3	
	90111	90111-1G87-C01	BOLT FLANGE 6MM	BOLT FLANGE 6MM	2	
	90302-PUA3	90302-PUA3-B51	BOLT-WASH 5*12	BOLT-WASH 5*12	10	



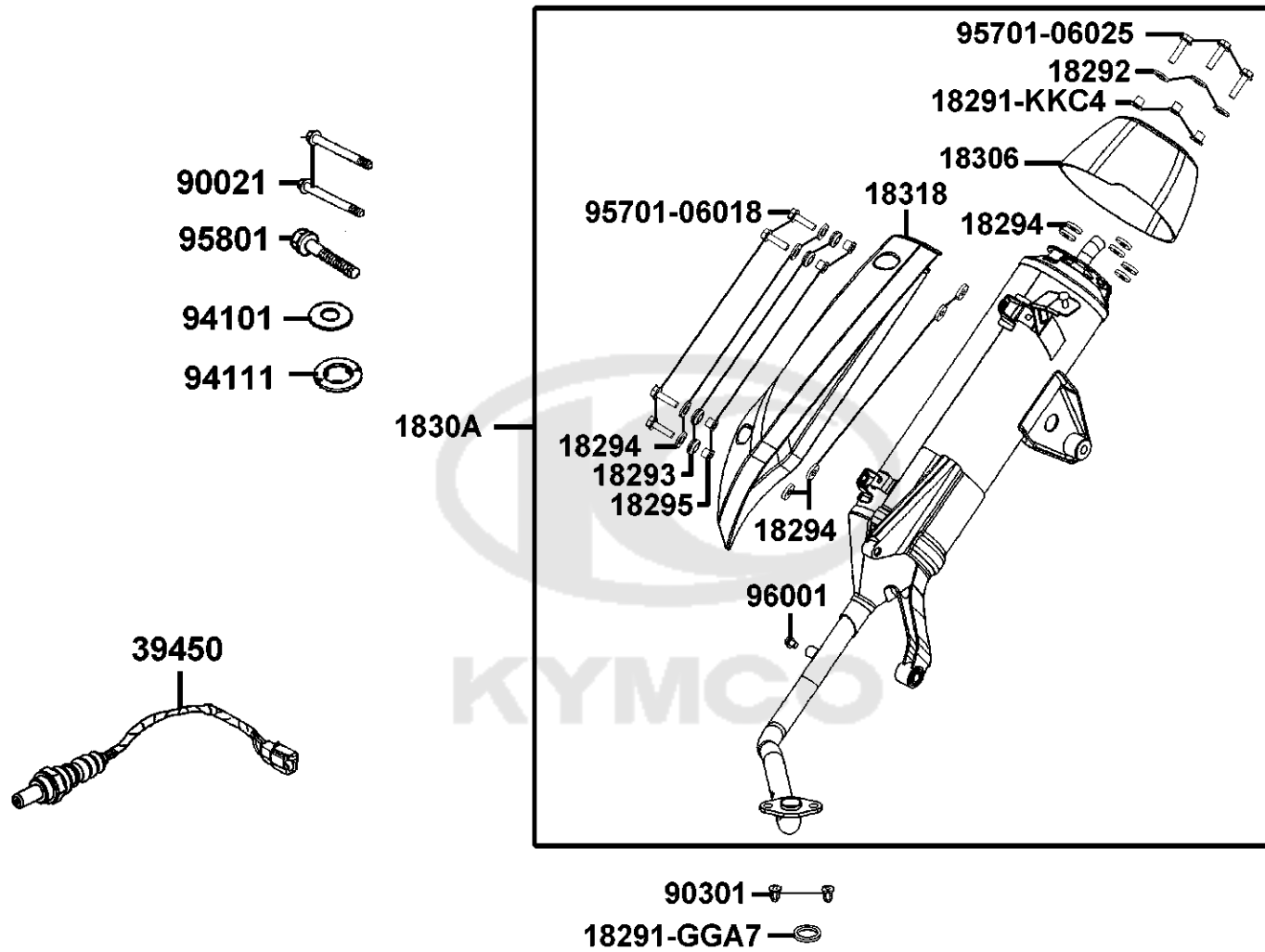
Sales mark	Ref no	Part no	Description	Reg description	Regd no	<b>F12</b>
	90302-SDA4	90302-SDA4-C01	NUT SPRING 4MM	NUT SPRING 4MM	10	
	93404	93404-06012-07G	BOLT WASH 6*12	BOLT WASH 6*12	4	
	93903-34380	93903-34380-G	SCREW TAPPING 4*12 (K)	SCREW TAPPING 4*12 (K)	14	
	93903-GFY6	93903-GFY6-C01	SCREW TAPPING 4*14(K)	SCREW TAPPING 4*14(K)	4	
	95701	95701-06012-08G	BOLT FLANGE 6*12 (C)	BOLT FLANGE 6*12 (C)	2	
						



Sales mark	Ref no	Part no	Description	Reg description	Regd no	<b>F13</b>
11209		11209-LCD3-E00	STAY B RR FENDER	STAY B RR FENDER	1	
11211		11211-LKD2-C00	TUBE BREATHER	TUBE BREATHER	1	
17200		17200-ALJ9-E15	AIR/C ASSY	AIR/C ASSY	1	
17239		17239-KHB4-C00	TUBE AIR/C BLOW BY	TUBE AIR/C BLOW BY	1	
1723A		1723A-LKD2-E10	"CASE ASSY., AIR/C"	"CASE ASSY., AIR/C"	1	
1723B		1723B-LFC4-E10	COVER COMP AIR/C	COVER COMP AIR/C	1	
1723C		1723C-LEJ3-E10	ELEMENT COMP AIR/C	ELEMENT COMP AIR/C	1	
17254		17254-KACA-P00	PLUG AIR/C CONN TUBE	PLUG AIR/C CONN TUBE	1	
17257		17257-LFC4-E10	DUCT AIR/C	DUCT AIR/C	1	
1737A		1737A-LCD3-E00	V TUBE ASSY	V TUBE ASSY	1	
90114		90114-GDM4-C01	BOLT M6*28	BOLT M6*28	1	
90652		90652-GFY6-C00	BAND 49 AIR/C CONNECTING TUBE	BAND 49 AIR/C CONNECTING TUBE	1	
93404		93404-06012-07G	BOLT WASH 6*12	BOLT WASH 6*12	1	
93903		93903-25480	SCREW TAPPING 5*20 (K)	SCREW TAPPING 5*20 (K)	6	
94111		94111-06800	WASHER PLAIN 6MM	WASHER PLAIN 6MM	1	
95002-02120		95002-02120	CLIP B12 TUBE	CLIP B12 TUBE	5	
95002-50000		95002-50000	CLIP C9 TUBE	CLIP C9 TUBE	1	
95701		95701-06008-08	WASHER PLAIN 12MM (C)	WASHER PLAIN 12MM (C)	1	

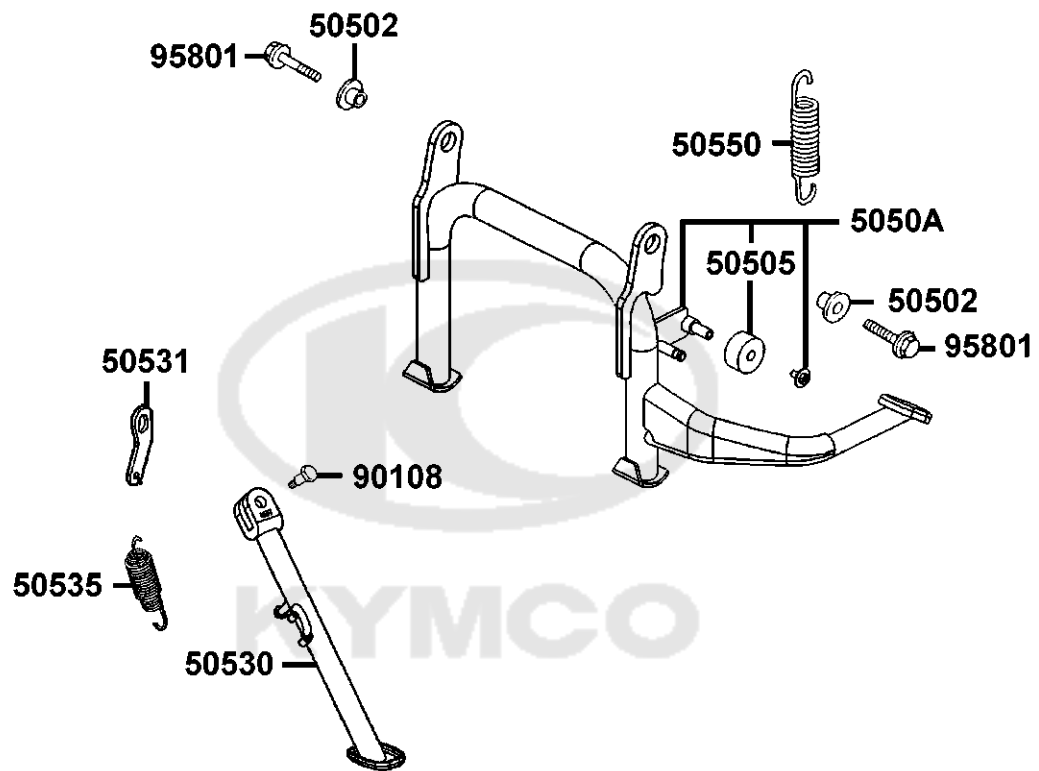
F14

Exhaust Muffler

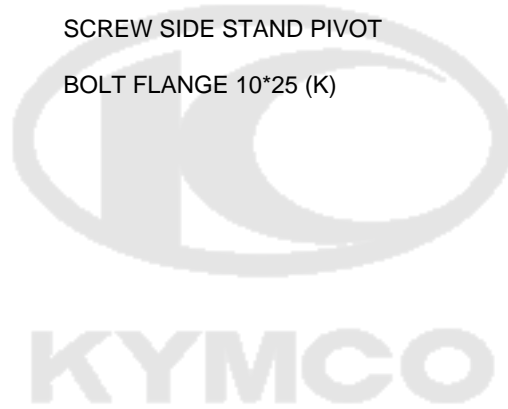




Sales mark	Ref no	Part no	Description	Reg description	Regd no	<b>F14</b>
	18291-GGA7	18291-GGA7-C01	GASKET EXH PIPE	GASKET EXH PIPE	1	
	18291-KKC4	18291-KKC4-C00	COLLAR	COLLAR	1	
	18292	18292-KEBE-C00	PACKING PROTECTOR	PACKING PROTECTOR	1	
	18293	18293-KECE-C00	RUBBER A PROTR	RUBBER A PROTR	1	
	18294	18294-PUA3-B50	PACKING PTOTECTOR	PACKING PTOTECTOR	1	
	18295	18295-KECE-900	COLLAR 6MM	COLLAR 6MM	1	
**	18306	18306-ALJ8-E10	TAIL CAP MUFFLER	TAIL CAP MUFFLER	1	
	1830A	1830A-ALJ8-E15	MUFFLER ASSY EXH00	MUFFLER ASSY EXH00	1	
	39450	39450-LEA6-800	O2 SENSOR	O2 SENSOR	1	
	90021	90021-ACB3-M41	BOLT WASHER COMP	BOLT WASHER COMP	3	
	95701-06018	90120-ALK1-C00	SCREW SPECIAL M6*22	SCREW SPECIAL M6*22	1	
	90301	90301-GFY6-C01	NUT (HEX) CAP 8MM	NUT (HEX) CAP 8MM	1	
	94101	94101-08700-G	WASHER PLAIN 8MM(K)	WASHER PLAIN 8MM(K)	1	
	94111	94111-08700-G	WASHER SPG 8MM (K)	WASHER SPG 8MM (K)	1	
	95701-06025	95701-06025-07	BOLT FLANGE 6*25(K)	BOLT FLANGE 6*25(K)	1	
	95801	95801-08065-07G	BOLT FLANGE 8*65 (C)	BOLT FLANGE 8*65 (C)	1	
	96001	96001-06008-07	BOLT FLANGE 6*10	BOLT FLANGE 6*10	1	

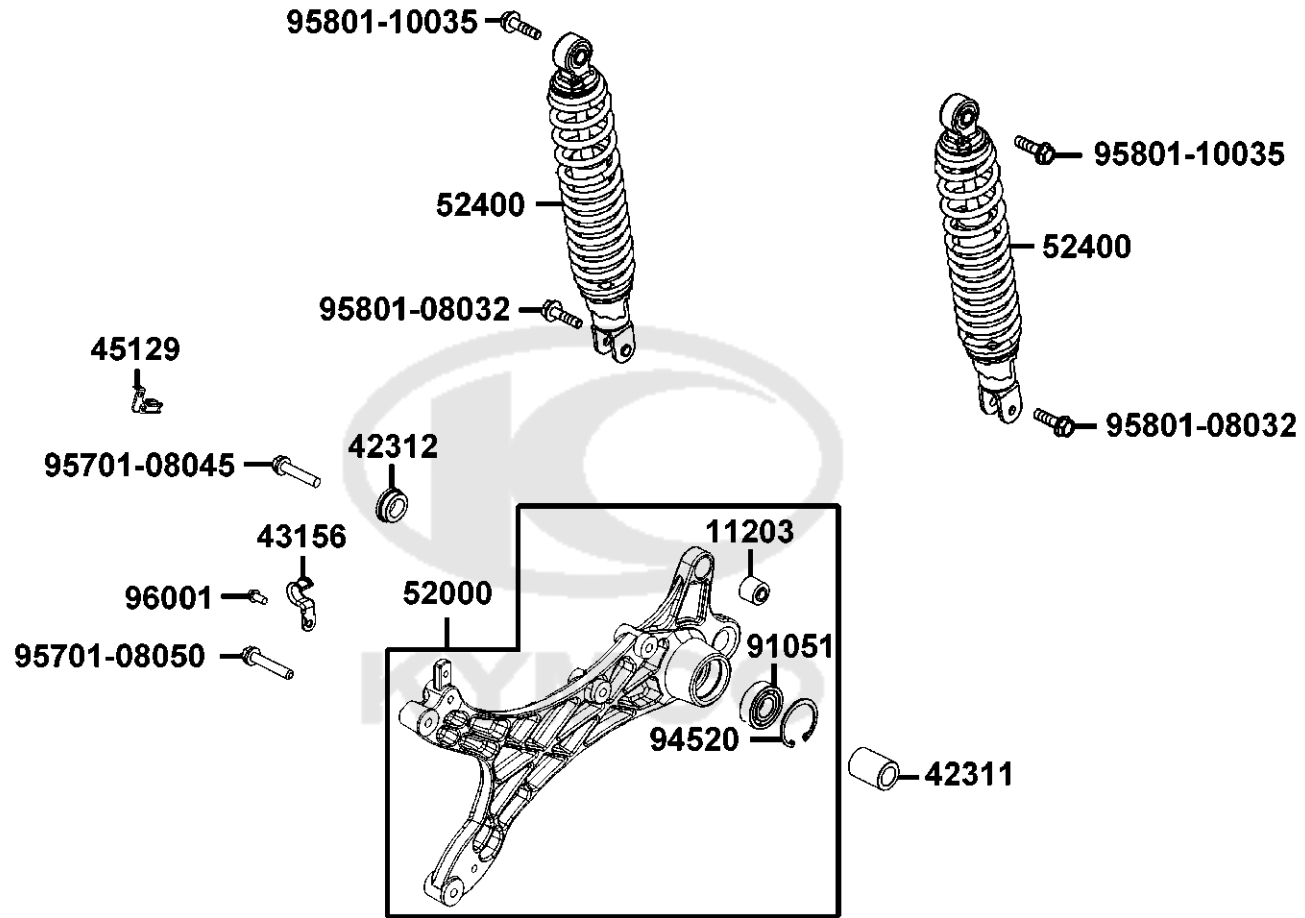


Sales mark	Ref no	Part no	Description	Reg description	Regd no	<b>F15</b>
50502		50502-LDF7-C00	COLLAR MAIN STAND	COLLAR MAIN STAND	2	
50505		50505-LCB9-C00	STOPPER RUBBER	STOPPER RUBBER	1	
5050A		5050A-ALJ8-E10	"STAND COMP.,MAIN"	"STAND COMP.,MAIN"	1	
50530		50530-ALJ8-E10	BAR SIDE STAND	BAR SIDE STAND	1	
50531		50531-KEB7-C00	PLATE SPRING STOPPER	PLATE SPRING STOPPER	1	
50535		50535-KEB7-W10	SPRING COMP SIDE STAND	SPRING COMP SIDE STAND	1	
50550		50550-KEB7-C00	SPG ASSY MAIN STAND	SPG ASSY MAIN STAND	1	
90108		90108-KFA6-E01	SCREW SIDE STAND PIVOT	SCREW SIDE STAND PIVOT	1	
95801		95801-10025-07G	BOLT FLANGE 10*25 (K)	BOLT FLANGE 10*25 (K)	2	



F16

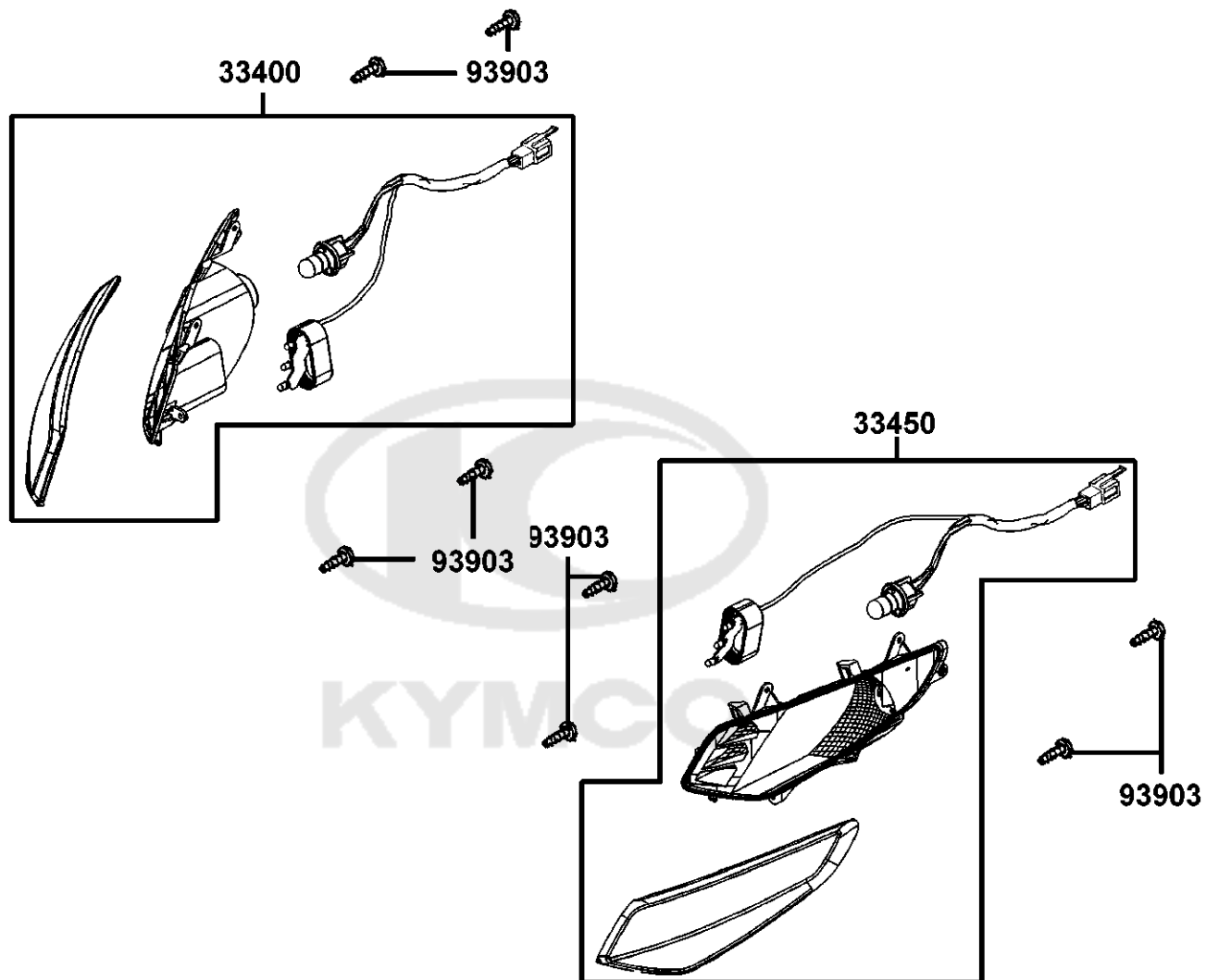
Rear Cushion



Sales mark	Ref no	Part no	Description	Reg description	Regd no	<b>F16</b>
	11203	11203-GGC7-W10	UNDER RUBBER BUSH REAR CUSHION	UNDER RUBBER BUSH REAR CUSHION	1	
	42311	42311-KHB4-C00	COLLAR RR AXLE A	COLLAR RR AXLE A	1	
	42312	42312-LEJ2-E10	"COLLAR,RR AXLE SIDE"	"COLLAR,RR AXLE SIDE"	1	
	43156	43156-LFC3-E10	CLAMPER HOSE RR	CLAMPER HOSE RR	1	
	45129	45129-ACE9-B50	CLAMPER FR BRK HOSE	CLAMPER FR BRK HOSE	1	
	52000	52000-AED9-E10	FORK ASSY R	FORK ASSY R	1	
**	52400	52400-ALJ8-E10	CUSHION ASSY RR	CUSHION ASSY RR	2	
	91051	91051-KFBF-C00	BRG BALL RADIAL 6203 LLU	BRG BALL RADIAL 6203 LLU	1	
	94520	94520-40000	CIR CLIP IN 40	CIR CLIP IN 40	1	
	95701-08045	95701-08045-07G	BOLT FLANGE 8*45 (K)	BOLT FLANGE 8*45 (K)	1	
	95701-08050	95701-08050-07G	BOLT FLANGE 8*45 (K)	BOLT FLANGE 8*45 (K)	2	
	95801-08032	95801-08032-07G	BOLT FLANGE 8*32(K)	BOLT FLANGE 8*32(K)	2	
	95801-10035	95801-10035-08G	BOLT FLANGE 10*35 (C)	BOLT FLANGE 10*35 (C)	2	
	96001	96001-06012-07G	BOLT FLANGE SH 6X12	BOLT FLANGE SH 6X12	1	

F17

Front Winker



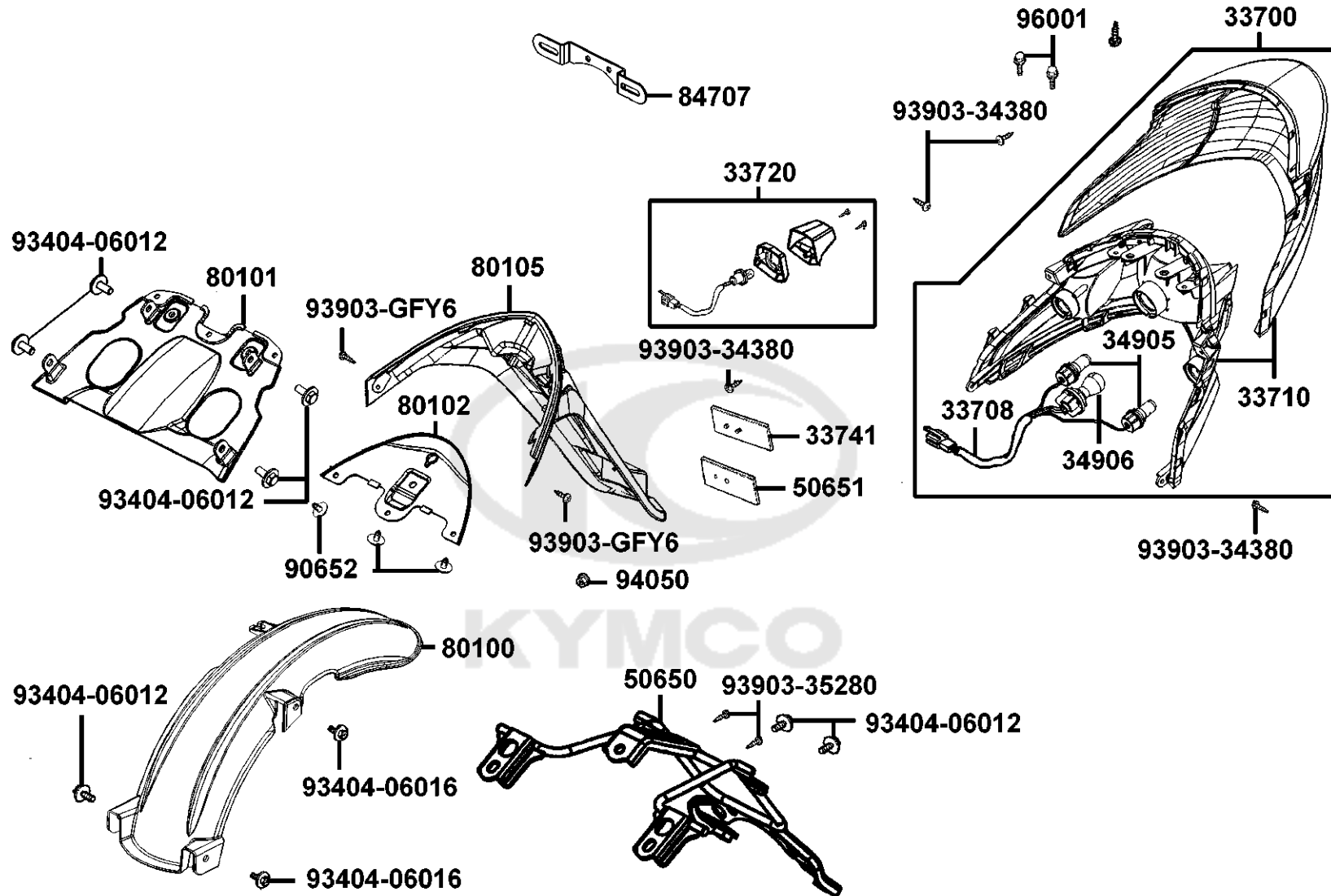
Sales mark	Ref no	Part no	Description	Reg description	Regd no	<b>F17</b>
------------	--------	---------	-------------	-----------------	---------	------------

33400		33400-ALJ8-E10	WINKER ASSY R FR	WINKER ASSY R FR	1	
33450		33450-ALJ8-E10	WINKER ASSY L FR	WINKER ASSY L FR	1	
93903		93903-34380-G	SCREW TAPPING 4*12 (K)	SCREW TAPPING 4*12 (K)	8	



F18

Tail Light

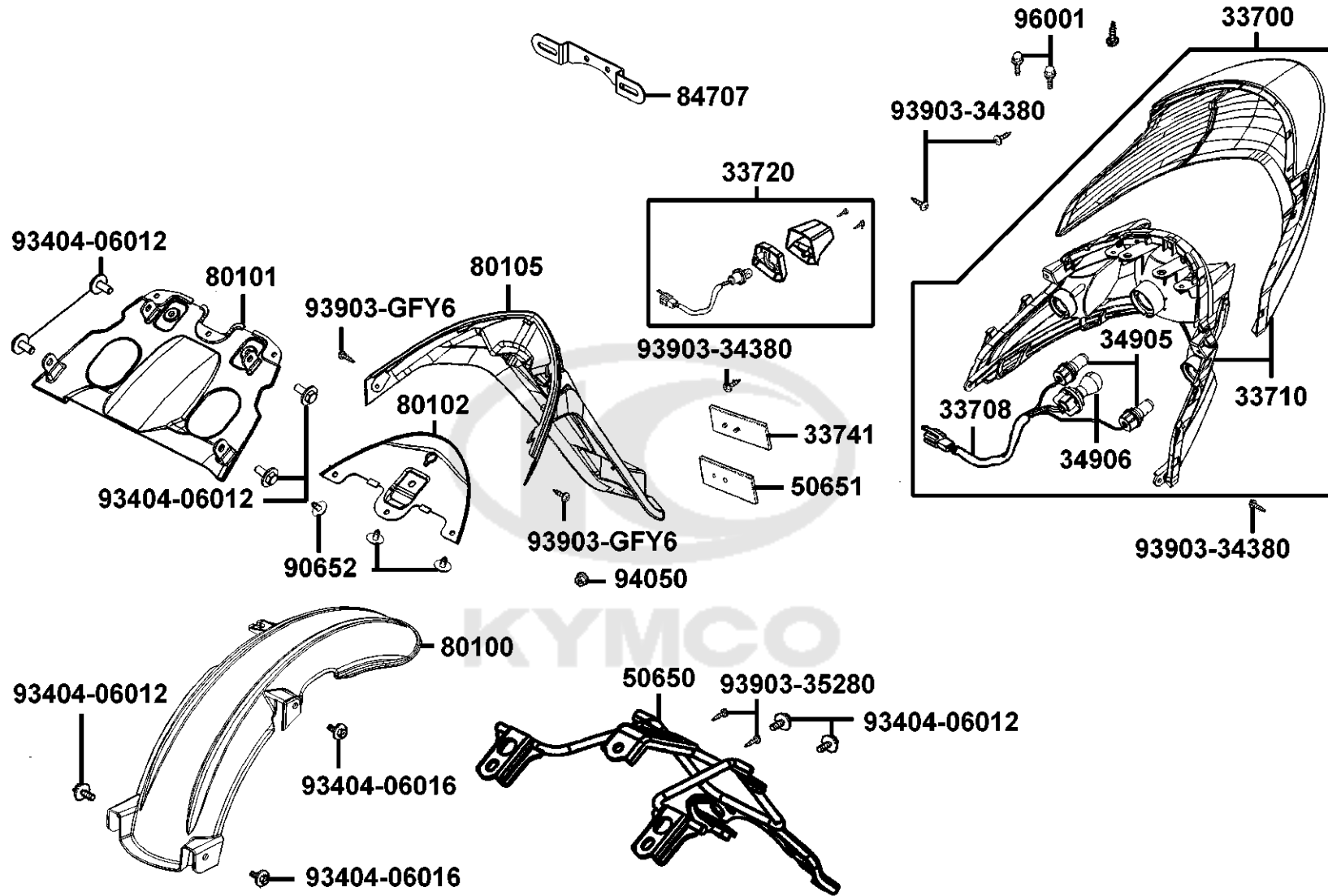




Sales mark	Ref no	Part no	Description	Reg description	Regd no	F18
	33700	33700-ALJ8-E10	LIGHT ASSY RR COMB	LIGHT ASSY RR COMB	1	
	33708	33708-ALJ8-E10	SOCKER COMP RR COMB	SOCKER COMP RR COMB	1	
	33710	33710-ALJ8-E10	LIGHT COMP RR COMB	LIGHT COMP RR COMB	1	
	33720	33720-LEJ2-E10	LIGHT ASSY LICENSE	LIGHT ASSY LICENSE	1	
	33741	33741-LEH3-C10	REFLEX REFLECTOR	REFLEX REFLECTOR	1	
	34905	34905-LCA5-E00	BULB WINKE	BULB WINKE	2	
	34906	34906-KPCP-C00	BULB TAIL LIGHT	BULB TAIL LIGHT	1	
	50650	50650-LFC2-E10	"STAY RR.,FENDER"	"STAY RR.,FENDER"	1	
	50651	50651-LFC4-E10	STAY RR FENDER BALANCE	STAY RR FENDER BALANCE	1	
**	80100	80100-ALJ8-E11	FENDER RR TIRE	FENDER RR TIRE	1	
**	80101	80101-ALJ8-E10	FENDER RR INNER	FENDER RR INNER	1	
**	80102	80102-ALJ8-E10	LID MAINT TAIL LIGHT	LID MAINT TAIL LIGHT	1	
**	80105	80105-ALJ8-E10	FENDER RR	FENDER RR	1	
	84707	84707-LFC3-B20	UNDER NUMBER BRKT FR	UNDER NUMBER BRKT FR	1	
	90652	90652-LCA4-C10	CLIP MUDGUARD	CLIP MUDGUARD	3	
	93404-06012	93404-06012-07G	BOLT WASH 6*12	BOLT WASH 6*12	7	
	93404-06016	93404-06016-07G	BOLT WASHER 6*16 (K)	BOLT WASHER 6*16 (K)	1	
	93903-34380	93903-34380-G	SCREW TAPPING 4*12 (K)	SCREW TAPPING 4*12 (K)	7	
	93903-35280	93903-35280-G	SCREW TAPPING 5*12 (K)	SCREW TAPPING 5*12 (K)	2	
	93903-GFY6	93903-GFY6-C01	SCREW TAPPING 4*14(K)	SCREW TAPPING 4*14(K)	7	

F18

Tail Light



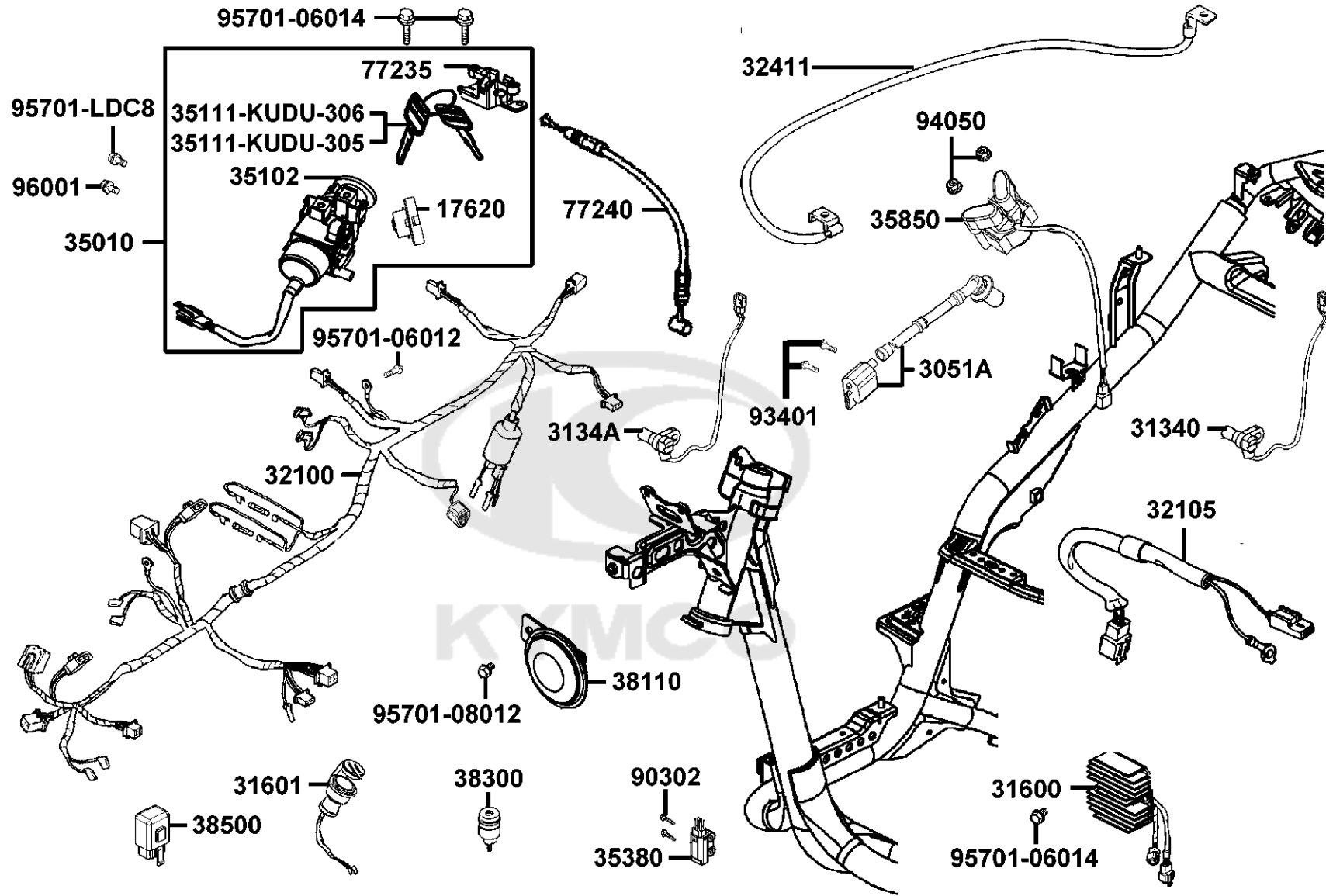
Sales mark	Ref no	Part no	Description	Reg description	Regd no	<b>F18</b>
------------	--------	---------	-------------	-----------------	---------	------------

94050		94050-05080-G	NUT FLANGE 5MM	NUT FLANGE 5MM	1	
96001		96001-06012-08G	BOLT FLANGE SH 6*12 (C)	BOLT FLANGE SH 6*12 (C)	2	



F19

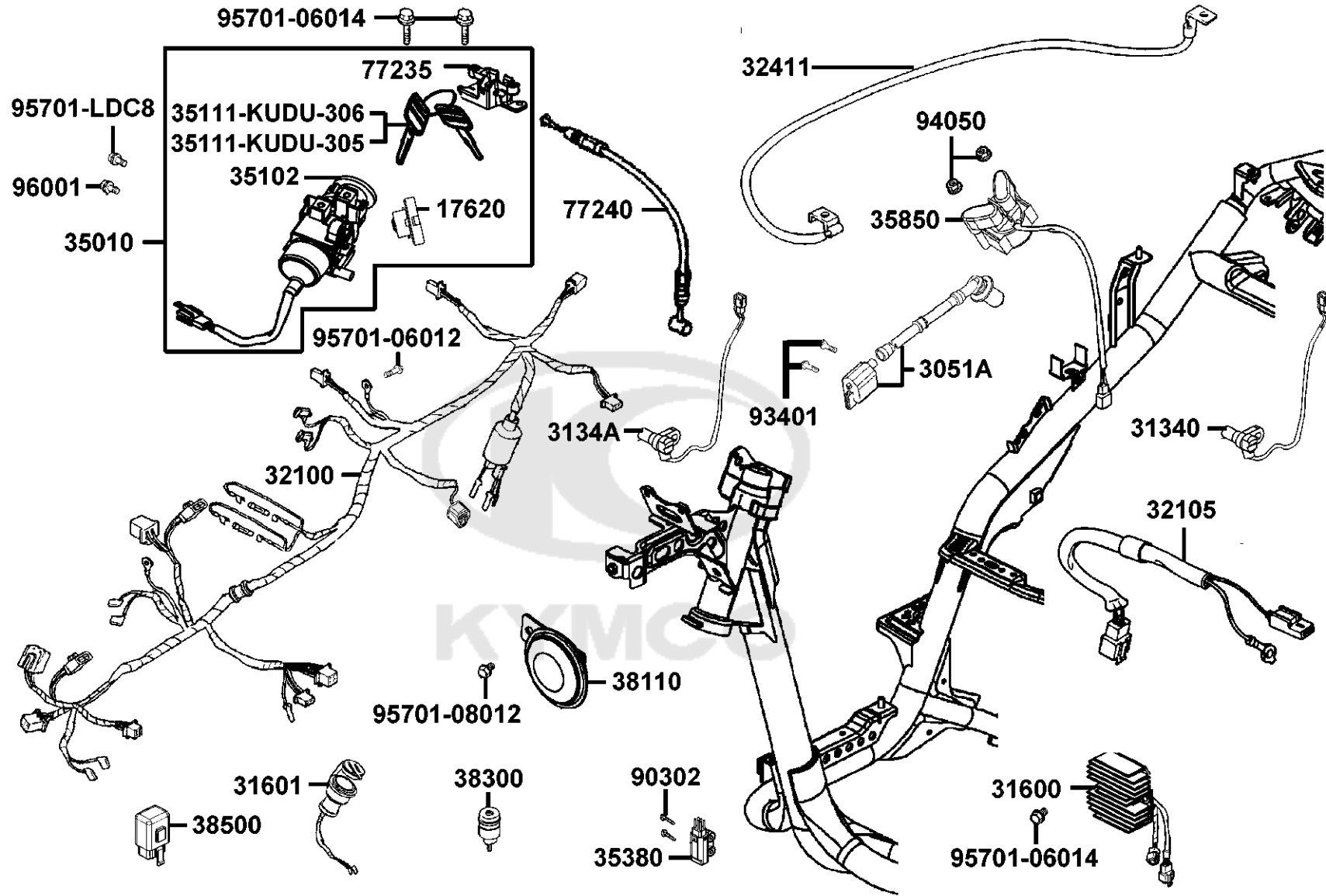
Wire Harness



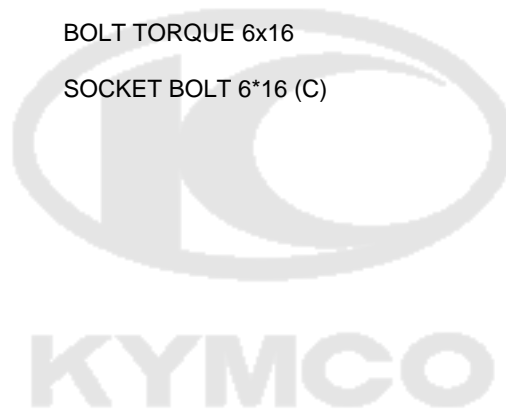
Sales mark	Ref no	Part no	Description	Reg description	Regd no	<b>F19</b>
17620		17620-ALJ9-E15	CAP COMP FUEL FILLER	CAP COMP FUEL FILLER	1	
3051A		3051A-ALJ8-E10	COIL ASSY IGNITION	COIL ASSY IGNITION	1	
31340		31340-LEA7-E00	SENSOR FR WHEEL SPEED	SENSOR FR WHEEL SPEED	1	
3134A		3134A-AED9-E10	SPEED SENSOR ASSY	SPEED SENSOR ASSY	1	
31600		31600-LEA5-C01	REG. REC. COMP.	REG. REC. COMP.	1	
31601		31601-LFC2-E10	SOCKET COMP DC 12V	SOCKET COMP DC 12V	1	
32100		32100-AED9-E10	HARNESS WIRE	HARNESS WIRE	1	
32105		32105-AED9-E10	SUB HARNESS	SUB HARNESS	1	
32411		32411-ALJ8-E10	CABLE BAT	CABLE BAT	1	
35010		35010-ALJ9-E15	KEY ASSY	KEY ASSY	1	
35102		35102-KGBG-91B	COLLAR MAIN SW	COLLAR MAIN SW	1	
35111-KUDU-305		35111-KUDU-305	BLACK KEY R	BLACK KEY R	1	
35111-KUDU-306		35111-KUDU-306	BLACK KEY L	BLACK KEY L	1	
35380		35380-ABE1-E00	SENSOR. ANGLE DETECT	SENSOR. ANGLE DETECT	1	
35380		35380-LEA2-900	SENSOR ANGLE DETECT	SENSOR ANGLE DETECT	1	
35850		35850-KHD8-C00	SET START MAG	SET START MAG	1	
38110		38110-KHB4-E0A	HORN COMP	HORN COMP	1	
38300		38300-AED9-E10	RELAY ASSY WINKER	RELAY ASSY WINKER	1	
38500		38500-LGL3-90A	RELAY ASSY LIGHT	RELAY ASSY LIGHT	1	
77235		77235-KGC4-C00	SEAT CATCH	SEAT CATCH	1	

F19

Wire Harness

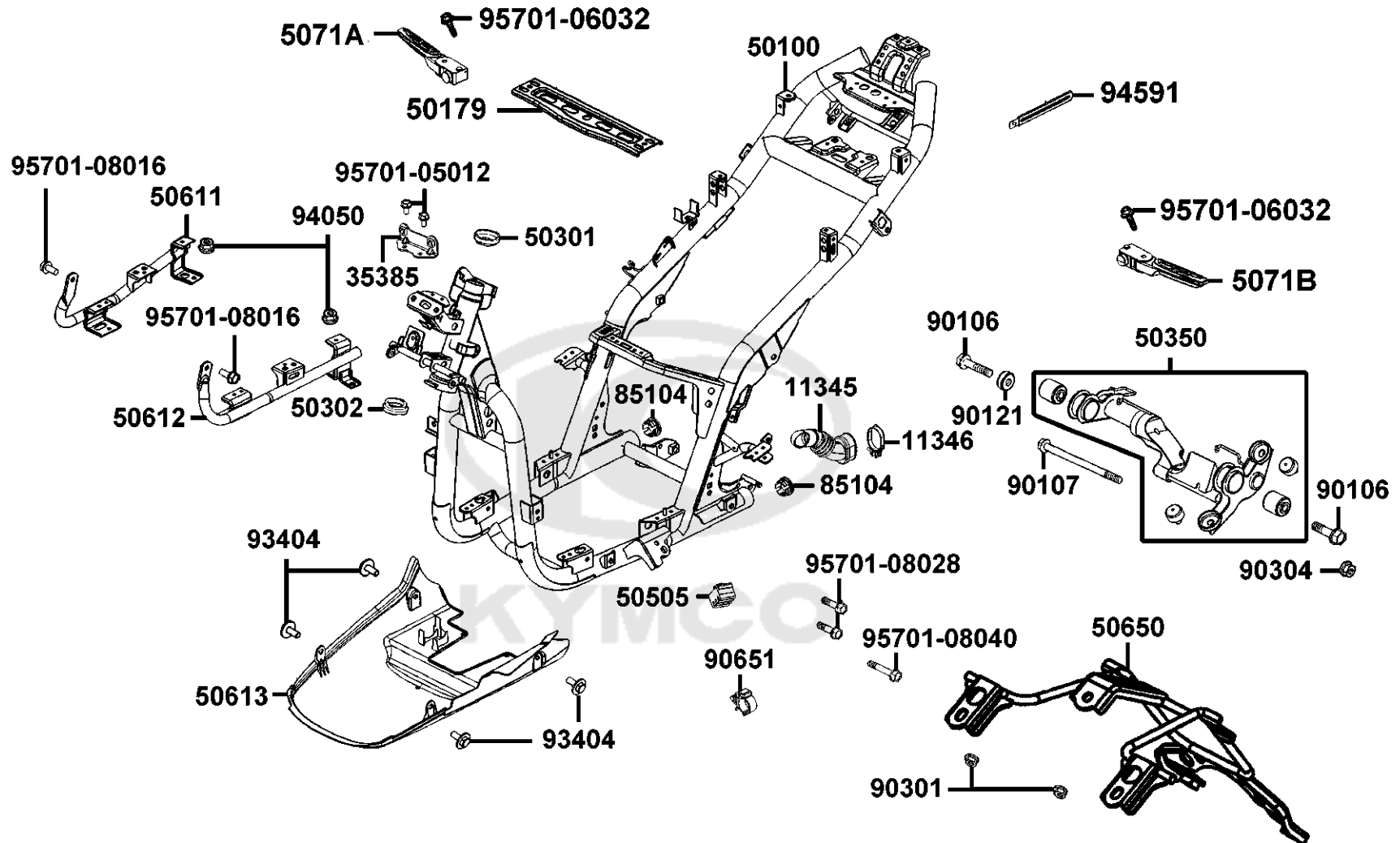


Sales mark	Ref no	Part no	Description	Reg description	Regd no	F19
77240		77240-LFC2-E10	"CABLE,SEAT LOCK"	"CABLE,SEAT LOCK"	1	
90302		90302-GFY6-C11	BOLT-WASH 5*16	BOLT-WASH 5*16	1	
93401		93401-04025-08	BOLT WASHER 4*25(C)	BOLT WASHER 4*25(C)	2	
94050		94050-06080-G	NUT FLANGE 6MM	NUT FLANGE 6MM	4	
95701-06012		95701-06012-08G	BOLT FLANGE 6*12 (C)	BOLT FLANGE 6*12 (C)	1	
95701-06014		95701-06014-08G	BOLT FLANGE 6*14 (B)	BOLT FLANGE 6*14 (B)	2	
95701-08012		95701-08012-08G	BOLT FLANGE 8*12 (C)	BOLT FLANGE 8*12 (C)	1	
95701-LDC8		95701-LDC8-E11	BOLT TORQUE 6x16	BOLT TORQUE 6x16	1	
96001		96001-06016-08G	SOCKET BOLT 6*16 (C)	SOCKET BOLT 6*16 (C)	1	



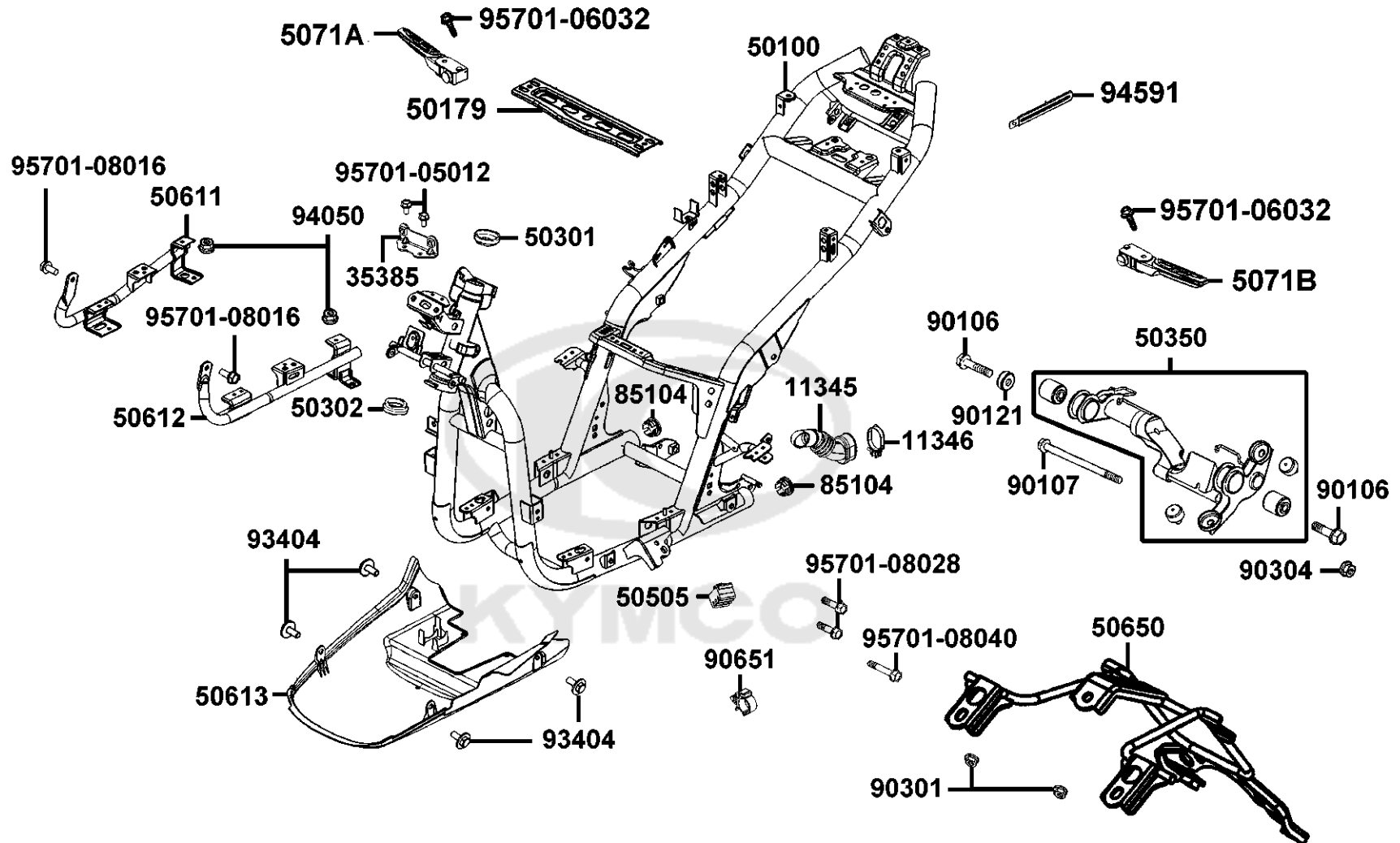
F20

Frame Body

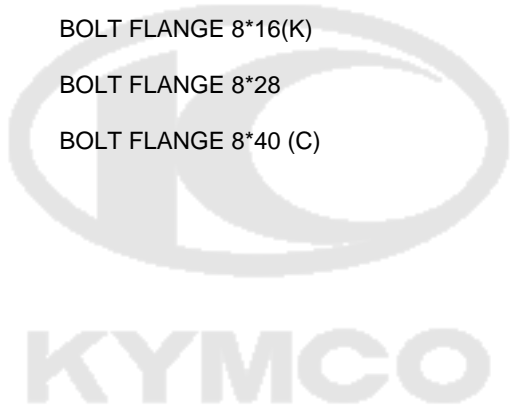




Sales mark	Ref no	Part no	Description	Reg description	Regd no	F20
	11345	11345-ALJ8-E10	DUCT L COVER	DUCT L COVER	1	
	11346	11346-KEBE-C00	BAND L COVER DUCT	BAND L COVER DUCT	1	
	35385	35385-AAD2-C00	STAY ANGLE SENSOR	STAY ANGLE SENSOR	1	
	50100	50100-ALJ9-E12	"BODY COMP,FRAME"	"BODY COMP,FRAME"	1	
	50179	50179-ALJ8-E10	BRKT FLOOR PANEL	BRKT FLOOR PANEL	1	
	50301	50301-KGN7-C00	RACE UP STRG BALL	RACE UP STRG BALL	1	
	50302	50302-2H68-C00	RACE (STRG BOT) BALL	RACE (STRG BOT) BALL	1	
	50350	50350-LEJ3-B40	ENG HANGER ASSY	ENG HANGER ASSY	1	
	50505	50505-PUA3-B50	STOPPER RUBBER	STOPPER RUBBER	1	
	50611	50611-ALJ8-E10	RNFCT R FLOOR	RNFCT R FLOOR	1	
	50612	50612-ALJ8-E10	RNFCT L FLOOR	RNFCT L FLOOR	1	
**	50613	50613-ALJ8-E10	COVER UNDER	COVER UNDER	1	
	50650	50650-LFC2-E10	"STAY RR.,FENDER"	"STAY RR.,FENDER"	1	
	5071A	5071A-LDA6-C00	BAR STEP R ASSY	BAR STEP R ASSY	1	
	5071B	5071B-LDA6-C00	BAR STEP L ASSY	BAR STEP L ASSY	1	
	85104	85104-ALJ8-E10	STOPPER	STOPPER	1	
	90106	90106-LGB6-E11	"BOLT,FLANGE,10x55"	"BOLT,FLANGE,10x55"	2	
	90107	90107-KUDU-C01	BOLT FLANGE 10*188	BOLT FLANGE 10*188	1	
	90121	90121-GFY6-C00	COLLAR DISTANCE	COLLAR DISTANCE	1	
	90301	90301-LEJ2-E10	NUT FLANGE 6mm	NUT FLANGE 6mm	2	

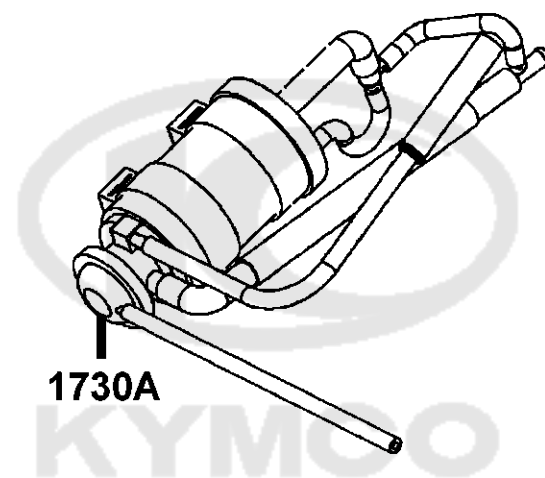


Sales mark	Ref no	Part no	Description	Reg description	Regd no	<b>F20</b>
90304		90304-GHE8-C01	NUT U 10MM(C)	NUT U 10MM(C)	1	
90651		90651-ALJ8-E10	"CLIP,MUDGUARD"	"CLIP,MUDGUARD"	1	
93404		93404-06012-07G	BOLT WASH 6*12	BOLT WASH 6*12	4	
94050		94050-06080-G	NUT FLANGE 6MM	NUT FLANGE 6MM	5	
94591		94591-LDC8-E10	CLIP BIND	CLIP BIND	1	
95701-05012		95701-05012-07	BOLT FLANGE 5*12 (K)	BOLT FLANGE 5*12 (K)	2	
95701-06032		95701-06032-08G	BOLT FLANGE 6*32(C)	BOLT FLANGE 6*32(C)	1	
95701-08016		95701-08016-07G	BOLT FLANGE 8*16(K)	BOLT FLANGE 8*16(K)	2	
95701-08028		95701-08028-08G	BOLT FLANGE 8*28	BOLT FLANGE 8*28	2	
95701-08040		95701-08040-08G	BOLT FLANGE 8*40 (C)	BOLT FLANGE 8*40 (C)	1	



F21

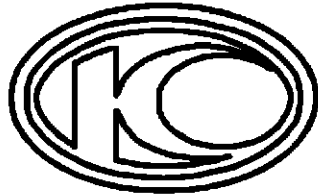
CANISTER-PCV ASSY



Sales mark	Ref no	Part no	Description	Reg description	Regd no	<b>F21</b>
------------	--------	---------	-------------	-----------------	---------	------------

1730A	1730A-ALJ9-E12	CANISTER-PCV ASSY	CANISTER-PCV ASSY		1	
-------	----------------	-------------------	-------------------	--	---	--





86102-ALG1

AGILITY 16+

86202

**Engine Oil Capacity**  
 Make sure to use KYMCO recommended "SIGMA" engine oil.  
 Full Capacity 0.9ℓ  
 At Change 0.8ℓ  
 Check the oil level after oil is filled.  
 Idle the engine for 3 minutes and check the oil level again.  
 861-8399

87541-KUDU

**CAUTIONS**  
 Before starting the engine, the side stand shall be kicked up to secure safety.

87541-GAR1

**CAUTIONS**  
 Never put any article between the rear side cover and the engine to avoid interference of riding.

87542

- Do not wear a safety helmet when riding.
- Do not exceed the speed specified by the rider's manual.
- Do not adjust engine temperature in any way after riding. Be sure to park the motorcycle in a place not easily reached by people.
- For riding safety and good performance, do not adjust the tire to modify the motorcycle.
- Make sure to perform the periodic maintenance and periodic inspection.

**Periodic Inspection Item**

Brake Performance, Oil, engine oil level, lights, horn, and instrument panel.

KYANG YANG MOTOR CO., LTD.

87560



86407

200i

87140

**E5**

87546-AGE3-E00

87546

**CAUTION**

Tire Size: Front 100/80-18 50P Rear 120/80-14 58P  
 (One Rider) Front: 1.75kg/cm<sup>2</sup> Rear: 2.0kg/cm<sup>2</sup>  
 (Two Rider) Front: 1.75kg/cm<sup>2</sup> Rear: 2.25kg/cm<sup>2</sup>  
 (Note: The tire pressure must not overpass 2.3kg/cm<sup>2</sup>)

Loading Capacity: Luggage Box Below: 1.5kg  
 Front Tool Below: 3.0kg  
 Mat in Box Below: 10.0kg  
 Grab Bar Below: 5.0kg

07603-AGE3-E10

87505

Sales mark	Ref no	Part no	Description	Reg description	Regd no	F22
**	86102-ALG1	86102-ALG1-E00	EMB KYMCO	EMB KYMCO	1	
**	86202	86202-ALJ8-E10	EMB BODY COVER	EMB BODY COVER	1	
**	86407	86407-ALJ8-E10	STRIPE METER	STRIPE METER	1	
**	87140	87140-ALJ8-E10	EMB MARK 200 TAPE A	EMB MARK 200 TAPE A	1	
**	87505	87505-AED9-E10	LABEL TIRE	LABEL TIRE	1	
**	87541-GAR1	87541-GAR1-C01	CAUTION SIDE STAND	CAUTION SIDE STAND	1	
**	87541-KUDU	87541-KUDU-E00	LABEL OIL CAP	LABEL OIL CAP	1	
**	87542	87542-GAR1-C01	MARK MAINT CAUTION	MARK MAINT CAUTION	1	
**	87546	87546-AGE3-E00	LABEL FUEL TANK	LABEL FUEL TANK	1	
**	87560	87560-GFY6-E11	MARK DRIVE CAUTION	MARK DRIVE CAUTION	1	



## PART NO. INDEX

PART NO.	VERSION	PAGE	PART NO.	VERSION	PAGE	PART NO.	VERSION	PAGE
<b>11000</b>			12191-LGS6-E90	0	E03	14523-GFY6-E90	1	E03
			12200-LGS6-E10	0	E02	14531-GLR0-W11	1	E03
			12209-GDB4-C00	2	E02	14610-KUDU-C0B	0	E03
11100-LCD4-C00	3	E01	12211-KUDU-W10	4	E02	14711-KFB7-C00	1	E02
11102-1G87-C00	3	E01	12251-LGS6-E10	2	E02	14721-KFB7-C00	0	E02
11192-LGS6-E90	0	E01	1231A-ALL1-C00	0	E02	14751-KKJ9-C00	2	E02
11200-LCD4-C00	0	E01	12361-GFY6-C00	5	E04	14761-KKJ9-C00	2	E02
11203-GGC7-W10	2	E01	12391-GFY6-C00	5	E02	14771-GDB4-C00	2	E02
11203-GGC7-W10	2	F16				14775-MFA6-C00	5	E02
11206-LCD3-C00	0	E01	<b>13000</b>			14781-MFA6-C00	4	E02
11208-LFC3-E10	2	E04				<b>15000</b>		
11209-LCD3-E00	3	F13	13000-KFB7-405	1	E03			
11211-LKD2-C00	0	F13	13011-LCD4-C00	1	E03	15100-KFB7-C00	1	E06
11331-LCD3-E00	5	E04	13101-ALJ8-E10	0	E03	15133-GFY6-W10	1	E06
11341-ALJ8-E10	0	E01	13111-KKJ9-C10	0	E03	15141-GFY6-C00	1	E06
11341-ALJ8-E10	4	E01				15421-1G07-C00	1	E04
11342-ALJ8-E10	0	E01	<b>14000</b>			15426-GAE1-C00	1	E04
11345-ALJ8-E10	2	F20				15651-KUDU-W10	5	E04
11346-KEBE-C00	1	F20	14100-AAA2-C00	0	E02	15711-KUDU-C00	1	E06
11353-ALJ8-E11	0	E01	14401-KUDU-C00	1	E03			
11394-KUDU-E90	1	E04	14431-KUDU-W10	4	E02	<b>16000</b>		
11395-KHB4-C00	0	E01	14450-GFY6-W10	1	E02			
			14452-GFY6-W10	1	E02	16100-ALJ8-E15	0	E09
<b>12000</b>			14510-KUDU-C00	1	E03	16201-GFY6-E90	0	E02
			14510-KUDU-C0B	0	E03	16211-GFY6-W10	1	E02
12100-LCD4-C01	0	E03	14520-GFY6-C00	1	E03			



## PART NO. INDEX

PART NO.	VERSION	PAGE	PART NO.	VERSION	PAGE	PART NO.	VERSION	PAGE
16703-LKD2-M90	0	F10						
<b>17000</b>			<b>18000</b>			<b>21000</b>		
1711A-LGL3-C00	4	E02	18291-GGA7-C01	1	F14	21200-LEJ8-C00	2	E08
17200-ALJ9-E15	0	F13	18291-KKC4-C00	0	F14	21395-LCD3-E90	0	E08
17239-KHB4-C00	0	F13	18292-KEBE-C00	0	F14			
1723A-LKD2-E10	0	F13	18293-KECE-C00	0	F14	<b>22000</b>		
1723B-LFC4-E10	0	F13	18294-PUA3-B50	1	F14	22101-LCD3-C00	3	E05
1723C-LEJ3-E10	0	F13	18295-KECE-900	0	F14	22102-KUDU-E80	1	E05
17254-KACA-P00	1	F13	18306-ALJ8-E10	0	F14	22105-LGS6-E10	0	E05
17257-LFC4-E10	0	F13	1830A-ALJ8-E15	0	F14	22110-KUDU-E80	0	E05
1730A-ALJ9-E12	0	F21	18318-ALJ8-E10	0	F14	22121-LFC4-315	0	E05
1737A-LCD3-E00	0	F13				22131-GFY6-C00	3	E05
17500-ALJ8-E10	0	F10	<b>19000</b>			22132-KBN2-315	0	E05
17504-ALJ8-E10	1	F10	19411-KBCB-900	1	F10	22300-LCD4-C00	0	E05
1751A-ALJ9-E15	0	F10	19504-LBA2-C00	1	F10			
17550-ALJ8-E10	0	F10	19510-KFB7-C00	0	E07	<b>23000</b>		
17553-LEB2-900	0	F10	19610-KUDU-C10	2	E07	2301A-LCD4-C00	1	E05
1755A-ALJ8-E10	2	F05	19625-KUDU-C00	1	E02	23100-LCD4-C00	0	E05
1756A-ALJ8-E10	0	F10	1962A-LEJ8-E00	1	E07	23200-GFY6-C00	3	E05
17582-ALJ8-E10	0	F10	19632-LFB6-C00	0	E07	23220-KFBF-C00	1	E05
17620-ALJ9-E15	0	F19	1963A-AAD2-C00	0	E07	23225-GHC8-C00	1	E05
17623-ALJ8-E10	2	F10				23226-GHC8-C00	1	E05
17910-ALJ8-E10	0	F03				23233-LEJ3-E10	0	E05
17910-ALJ8-E1D	0	F03						

## PART NO. INDEX

PART NO.	VERSION	PAGE	PART NO.	VERSION	PAGE	PART NO.	VERSION	PAGE
23237-GFY6-C00	1	E05	31110-KKE3-C00	3	E07	33710-ALJ8-E10	0	F18
23238-GFY6-C00	1	E05	31120-LGS6-E10	0	E07	33720-LEJ2-E10	0	F18
23411-ALJ8-E10	4	E08	31200-ALJ8-E10	1	E06	33731-KGB5-C00	2	F06
23420-ALJ8-E10	3	E08	31340-LEA7-E00	0	F19	33741-LEH3-C10	1	F18
23432-ALJ8-E10	4	E08	3134A-AED9-E10	0	F19			
2343A-ALJ8-E10	1	E08	31500-KFAF-C00	1	F11	<b>34000</b>		
			31500-KFAF-C0B	0	F11			
<b>28000</b>			31600-LEA5-C01	2	F19	34901-LDC8-E10	1	F01
			31601-LFC2-E10	1	F19	34905-LCA5-E00	0	F18
28101-GFY6-C00	1	E06				34906-KPCP-C00	0	F18
28102-GFY6-C00	1	E06	<b>32000</b>					
28110-GFY6-C10	1	E06				<b>35000</b>		
28120-GFY6-C10	1	E06	32100-AED9-E10	0	F19			
28125-4F26-C00	1	E06	32105-AED9-E10	0	F19	35010-ALJ9-E15	0	F19
28125-GFY6-C10	3	E06	32411-ALJ8-E10	1	F19	35102-KGBG-91B	1	F19
28126-GFY6-C10	1	E06	32412-ALJ8-E10	1	E04	35111-KUDU-305	0	F19
2812A-GFY6-C10	2	E06	32961-KUDU-C00	5	E04	35111-KUDU-306	0	F19
28211-LGK2-C00	5	E05				35151-LGB5-E10	1	F03
			<b>33000</b>			35152-LGB5-E10	0	F03
<b>30000</b>						3515A-LGB5-E10	3	F03
			33100-ALJ8-E10	4	F01	3515A-LGB5-EV0	0	F03
3051A-ALJ8-E10	0	F19	33108-ALJ8-E10	0	F01	35201-LGB5-E10	1	F03
			33400-ALJ8-E10	3	F17	35202-LGB5-E10	0	F03
<b>31000</b>			33450-ALJ8-E10	3	F17	3520A-LGB5-E11	0	F03
			33700-ALJ8-E10	4	F18	35340-KNBN-C00	1	F04
31100-LGS6-E10	0	E07	33708-ALJ8-E10	0	F18	35380-ABE1-E00	1	F19

## PART NO. INDEX

PART NO.	VERSION	PAGE	PART NO.	VERSION	PAGE	PART NO.	VERSION	PAGE
35380-LEA2-900	1	F19				44710-LFC4-E91	0	F07
35385-AAD2-C00	0	F20	<b>42000</b>			44800-LKD1-E10	2	F07
35850-KHD8-C00	1	F19				44830-LCD3-C00	0	F02
<b>37000</b>			42311-KHB4-C00	0	F16	<b>45000</b>		
			42312-LEJ2-E10	1	F16			
			42601-AED9-E10	0	F08			
37200-AED9-E10	1	F02	42710-ALJ8-E10	1	F08	45105-LHJ8-305	0	F04
37802-GGA7-C00	1	F10	42753-0A01-C00	1	F07	45121-LFC2-E80	1	F07
3780A-ALJ8-E10	4	F10				45126-AED9-E10	0	F04
<b>38000</b>			<b>43000</b>			45127-AED9-E10	0	F04
			43100-AED9-E10	0	F04	45129-ACE9-B50	2	F16
38110-KHB4-E0A	0	F19	43126-AED9-E10	0	F04	45156-AED9-E10	0	F06
38300-AED9-E10	0	F19	43127-AED9-E10	0	F04	45156-LCB9-B20	0	F06
38500-LGL3-90A	1	F19	43156-LFC3-E10	2	F16	45200-AED9-E10	0	F04
<b>39000</b>			43351-LFC3-E80	2	F08	45250-LKG2-306	0	F04
			43352-AED9-E10	0	F08	45352-AED9-E10	0	F07
			43500-LFC3-E10	0	F04	45500-ALJ8-E10	1	F04
39300-LEA6-800	0	E02				45513-KCCC-900	0	F04
39301-ALJ8-E10	0	E02	<b>44000</b>			45513-LGR5-E10	0	F04
39302-KKE3-C00	1	E02				45517-KFAF-910	1	F04
39303-LEB2-C00	1	E02	44301-LEJ2-E13	1	F07	<b>49000</b>		
39400-LHJ3-900	1	E02	44311-LFC2-E10	2	F07			
39450-LEA6-800	2	F14	44601-AED9-E10	0	F07	49100-AED9-E10	0	F04
			44620-KFLF-C00	1	F07	49110-AED9-E10	0	F04
			44680-4L10-C00	1	F07	49211-LFH1-E00	0	F04

## PART NO. INDEX

PART NO.	VERSION	PAGE	PART NO.	VERSION	PAGE	PART NO.	VERSION	PAGE
<b>50000</b>			50651-LFC4-E10	1	F18	<b>53000</b>		
			5071A-LDA6-C00	2	F20			
			5071B-LDA6-C00	2	F20			
			<b>51000</b>					
50100-ALJ9-E12	0	F20				53100-AED9-E10	0	F03
50179-ALJ8-E10	0	F20				53102-ALJ8-E10	2	F03
50301-KGN7-C00	2	F20				53105-ALJ8-E10	2	F03
50302-2H68-C00	2	F20	51400-LFC3-E10	0	F06	53125-GEN5-C00	1	F03
50306-1F96-C00	1	F06	51401-LFC3-E10	0	F06	53140-ALJ8-E10	1	F03
50325-ALJ8-E10	1	F12	51410-LEJ2-E10	0	F06	53166-ALJ8-E10	1	F03
50326-AED9-E10	0	F12	51412-LEJ2-E10	0	F06	53175-KTCT-C01	0	F04
50326-ALJ8-E10	1	F12	51420-LFC2-E10	1	F06	53178-KNBN-C00	0	F04
50350-LEJ3-B40	0	F20	51422-LEJ2-E10	0	F06	53200-LFC2-E10	1	F06
50502-LDF7-C00	1	F15	51427-LEJ2-E10	0	F06	53204-ALJ8-E10	0	F03
50504-LEJ3-E11	1	E01	51428-LEJ2-E10	0	F06	53204-ALJ8-E10	1	F03
50505-LCB9-C00	1	F15	51429-LFC3-E10	0	F06	53205-ALJ8-E10	0	F03
50505-PUA3-B50	2	F20	51437-LEJ2-E10	0	F06	53205-ALJ8-E10	1	F03
5050A-ALJ8-E10	3	F15	51500-AED9-E10	1	F06	53206-ALJ8-E10	0	F03
50530-ALJ8-E10	2	F15	51520-AED9-E10	1	F06	53206-ALJ8-E10	2	F03
50531-KEB7-C00	1	F15				53207-ALJ8-E10	2	F03
50535-KEB7-W10	3	F15	<b>52000</b>			53208-ALJ8-E10	2	F03
50550-KEB7-C00	1	F15				53211-GFY6-C00	1	F06
50611-ALJ8-E10	3	F20	52000-AED9-E10	0	F16	53212-2L50-C00	1	F06
50612-ALJ8-E10	3	F20	52400-ALJ8-E10	1	F16	53214-2L50-C00	5	F06
50613-ALJ8-E10	4	F20				53215-2L50-C00	1	F06
50650-LFC2-E10	3	F18						
50650-LFC2-E10	3	F20						

## PART NO. INDEX

PART NO.	VERSION	PAGE	PART NO.	VERSION	PAGE	PART NO.	VERSION	PAGE	
<b>61000</b>			64316-LCB9-C10	4	F05	80105-ALJ8-E10	0	F18	
			64316-LCB9-C10	5	F05	80105-ALJ8-E10	3	F18	
			6431A-ALJ8-E10	2	F05	8015A-ALJ8-E10	0	F12	
	61100-ALJ8-E10	1	F06	64400-ALJ8-E10	2	F05	8015A-ALJ8-E10	2	F12
	61101-ALJ8-E10	0	F06						
	61101-ALJ8-E10	1	F06						
	61102-ALJ8-E10	0	F06						
			<b>75000</b>			<b>81000</b>			
61102-ALJ8-E10	1	F06	75581-6C73-C00	1	F05	81131-ALJ8-E10	0	F05	
61110-ALJ8-E10	0	F06				81131-ALJ8-E10	3	F05	
61110-ALJ8-E10	1	F06				81132-ALJ8-E10	0	F05	
			<b>77000</b>			81132-ALJ8-E10	2	F05	
			77200-ALJ8-E10	0	F09	81134-KGBG-C00	2	F05	
			77200-ALJ8-E10	2	F09	81141-ALJ8-E10	0	F05	
6421A-ALJ8-E11	2	F03	77232-KCAC-C00	2	F12	81141-ALJ8-E10	3	F05	
64301-ALJ8-E10	0	F05	77235-KGC4-C00	2	F19	81144-ALJ8-E10	2	F05	
64301-ALJ8-E10	1	F05	77240-LFC2-E10	5	F19	81146-ALJ8-E10	1	F05	
64305-ALJ8-E10	0	F05	77303-LAB4-C00	0	F09	8114A-ALJ8-E10	1	F05	
64305-ALJ8-E10	3	F05				81200-ALJ8-E10	0	F12	
64306-ALJ8-E10	0	F05				81200-ALJ8-E10	2	F12	
64306-ALJ8-E10	3	F05	<b>80000</b>			81210-ALJ8-E10	0	F12	
64307-ALJ8-E10	0	F05	80100-ALJ8-E11	0	F18	81230-ALJ8-E10	0	F12	
64307-ALJ8-E10	1	F05	80100-ALJ8-E11	2	F18	81251-AAD3-C00	1	F12	
64308-ALJ8-E10	0	F05	80101-ALJ8-E10	0	F18	81260-ALJ8-E10	0	F12	
64308-ALJ8-E10	1	F05	80101-ALJ8-E10	3	F18				
6430A-ALJ8-E10	4	F05	80102-ALJ8-E10	0	F18				
6430B-ALJ8-E10	4	F05	80102-ALJ8-E10	2	F18				

## PART NO. INDEX

PART NO.	VERSION	PAGE	PART NO.	VERSION	PAGE	PART NO.	VERSION	PAGE
<b>83000</b>			<b>85000</b>			<b>89000</b>		
83500-ALJ8-E10	0	F12	85104-ALJ8-E10	1	F20	89010-KGBG-C00	1	F09
83500-ALJ8-E10	1	F12						
8351A-ALJ8-E10	1	F12	<b>86000</b>			<b>90000</b>		
8351A-ALJ8-E10	2	F12						
83520-ALJ8-E10	0	F12	86102-ALG1-E00	2	F22	90001-GBHB-C05	0	E03
83520-ALJ8-E10	1	F12	86202-ALJ8-E10	0	F22	90005-KAW1-C00	0	E03
83550-KEC8-C00	4	F06	86407-ALJ8-E10	0	F22	9000A-KTDT-C02	1	E01
83551-KEC8-C10	4	F01				90012-3C33-C00	1	E02
83551-KEC8-C10	4	F06	<b>87000</b>			90021-ACB3-M41	0	F14
83551-KKAK-C00	0	F03				90031-KUDU-C01	0	E01
83600-ALJ8-E10	0	F12	87140-ALJ8-E10	0	F22	90032-KUDU-C01	0	E01
83600-ALJ8-E10	1	F12	87505-AED9-E10	0	F22	90033-GFY6-C01	1	E02
83611-ALJ8-E10	2	F12	87541-GAR1-C01	0	F22	90105-KCR3-C02	1	F07
8361A-ALJ8-E10	1	F12	87541-GAR1-C01	1	F22	90105-KCR3-C02	1	F08
8361A-ALJ8-E10	3	F12	87541-KUDU-E00	1	F22	90106-KFC2-900	2	F03
83620-ALJ8-E10	0	F12	87542-GAR1-C01	2	F22	90106-KFC2-900	2	F12
83620-ALJ8-E10	1	F12	87546-AGE3-E00	0	F22	90106-LGB6-E11	1	F20
			87560-GFY6-E11	3	F22	90106-PUA3-B50	0	F03
<b>84000</b>			<b>88000</b>			90107-KUDU-C01	1	F20
84707-LFC3-B20	0	F18				90108-KFA6-E01	0	F15
			88110-LEB5-C11	2	F03	90110-GLW0-C00	0	F05
			88120-LEB5-C11	2	F03	90110-KEB7-C01	1	F06
						90111-1G87-C01	1	F12

## PART NO. INDEX

PART NO.	VERSION	PAGE	PART NO.	VERSION	PAGE	PART NO.	VERSION	PAGE
90113-LGE5-C01	0	F04	90426-KNBN-C01	1	E05	91051-KFBF-C00	1	F16
90114-GDM4-C01	1	F13	90440-1F66-C00	1	E07	91101-1K79-C00	1	E06
90116-LEJ2-E10	0	F06	90441-GFY6-C01	1	E05	91104-GFY6-C00	1	E06
90120-ALK1-C00	0	F14	90465-MDC4-C01	0	E02	91104-KGN7-671	0	E01
90121-GFY6-C00	1	F20	90474-3C33-C00	1	E01	91202-GFY6-C00	1	E01
90131-GLW0-C03	0	F04	90501-KNBN-C01	1	F08	91202-KKJ9-C00	5	E01
90131-KFAF-C03	0	F04	9052A-PUA3-B50	1	E01	91211-KEBE-C00	1	E05
90145-LFH1-E00	0	F04	90544-LEJ2-E10	0	F06	91251-LEJ2-E10	0	F06
90145-MKS9-61A	1	F04	90545-3L00-C00	2	F04	91252-0L30-004	0	F07
90201-GFY6-901	1	E06	90651-ALJ8-E10	1	F20	91252-0L30-C00	0	F07
90202-1G87-C00	1	E05	90652-GFY6-C00	1	F13	91254-LEJ2-E10	0	F06
90206-0A01-C00	2	E02	90652-LCA4-C10	6	F03	91255-LDC8-E10	5	E08
90301-GFY6-C01	0	F14	90652-LCA4-C10	6	F18	91258-4L10-007	1	F07
90301-LEJ2-E10	1	F20	90652-LFB5-C00	1	F05	91301-GLR0-W10	1	E03
90302-GFY6-C11	1	F10	90652-LGJ9-900	2	E02	91302-0A01-C00	10	E04
90302-GFY6-C11	1	F19	90667-LFC2-MG0	0	F06	91306-1E05-C00	1	E03
90302-LLB1-C01	1	F03	90668-AED9-E10	0	F06	91307-0E35-W10	1	E04
90302-PUA3-B51	1	F12	90701-GFY6-901	6	E06	91351-6B42-C00	1	E05
90302-SDA4-C01	0	F05				91981-KGN7-670	0	E06
90302-SDA4-C01	0	F12	<b>91000</b>			<b>92000</b>		
90304-GHE8-C01	0	F03						
90304-GHE8-C01	0	F20	91003-KDS4-C00	1	E08			
90305-GHK8-C01	0	F06	91008-KUDU-900	0	E02	92101-05012-0HG	1	E07
90305-KNBN-C03	1	F08	91009-GLE0-C00	1	E08	92101-05012-0HG	1	F07
90306-LKL5-E31	0	F07	91014-LLJ3-C00	1	F06	92101-05012-0HG	1	F08
90403-KUDU-C00	1	E06	91015-LLJ3-C00	1	F06	92900-06060-0BG	0	E02

## PART NO. INDEX

PART NO.	VERSION	PAGE	PART NO.	VERSION	PAGE	PART NO.	VERSION	PAGE	
<b>93000</b>			93903-GFY6-C01	1	F18	94591-LGR5-E10	1	F05	
			<b>94000</b>			94591-LGR5-E10	1	F10	
	93401-04025-08	0	F19			94601-15000	10	E03	
	93404-06012-07G	0	F06	94001-12280-0SG	1	E05	94608-LEJ2-E10	0	F06
	93404-06012-07G	0	F12	94050-05080-G	1	F18	<b>95000</b>		
	93404-06012-07G	0	F13	94050-06080-G	0	E02			
	93404-06012-07G	0	F18	94050-06080-G	0	E06	95002-02120	1	F13
	93404-06012-07G	0	F20	94050-06080-G	0	F06	95002-50000	1	F13
	93404-06016-07G	0	F18	94050-06080-G	0	F09	95012-KGE2-C10	0	F09
	93404-06020-07G	0	F05	94050-06080-G	0	F19	95701-05012-07	0	F20
	93500-05025	0	F03	94050-06080-G	0	F20	95701-06008-08	0	F13
	93903-25480	1	F13	94050-08080-G	0	E02	95701-06012-07	3	F06
	93903-34320-G	0	F02	94050-12080-G	0	E05	95701-06012-07G	1	F04
	93903-34380-G	0	F03	94050-12080-G	0	E07	95701-06012-08G	0	E04
	93903-34380-G	0	F05	94101-08700-G	0	F14	95701-06012-08G	0	F12
	93903-34380-G	0	F12	94111-06800	1	F13	95701-06012-08G	0	F19
	93903-34380-G	0	F17	94111-06800-G	0	E02	95701-06014-08G	1	F19
	93903-34380-G	0	F18	94111-08700-G	0	F14	95701-06022-07G	1	F04
	93903-35220-G	1	F01	94301-10160	4	E01	95701-06025-07	3	F14
	93903-35280-G	1	F02	94301-10160	4	E02	95701-06025-07G	1	F06
93903-35280-G	1	F03	94301-10160	4	E03	95701-06025-08G	1	E02	
93903-35280-G	1	F18	94301-10160	4	E04	95701-06032-08G	1	F20	
93903-GFY6-C01	1	F01	94301-10200	4	E01	95701-06035-08G	1	E02	
93903-GFY6-C01	1	F05	94520-40000	1	F16	95701-06050-08G	0	E02	
93903-GFY6-C01	1	F12	94591-LDC8-E10	1	F20	95701-08012-08G	1	E01	



## PART NO. INDEX

PART NO.	VERSION	PAGE	PART NO.	VERSION	PAGE	PART NO.	VERSION	PAGE
95701-08012-08G	1	F19	96001-06018-08G	1	E07			
95701-08016-07G	1	F20	96001-06025-08G	1	E07			
95701-08028-08G	0	F20	96001-06028-08G	1	E04			
95701-08040-08G	1	F20	96001-06028-08G	1	E06			
95701-08045-07G	0	F16	96001-06028-08G	1	E07			
95701-08050-07G	1	F16	96001-06045-08G	1	E01			
95701-LDC8-E11	0	F19	96001-06050-08G	1	E01			
95801-08032-07G	1	F16	96001-06100-08G	1	E02			
95801-08040-08G	0	F06	96001-06100-08G	1	E04			
95801-08065-07G	1	F14	96001-06110-08G	1	E04			
95801-10025-07G	0	F15	96001-GFY6-C01	1	E01			
95801-10035-08G	0	F16	96100-60020-00	1	E08			
			96100-62020-00	1	E01			
<b>96000</b>			96100-63030-00	1	E01			
			96140-63010-10	1	F07			
96001-06008-07	1	F14						
96001-06010-08G	1	E01	<b>98000</b>					
96001-06012-07G	1	F16						
96001-06012-08G	0	E01	98056-5771R-00	1	E02			
96001-06012-08G	0	E04	98200-11000	1	F11			
96001-06012-08G	0	E06	98200-11500	2	F11			
96001-06012-08G	0	F18						
96001-06014-08G	0	E02						
96001-06016-08G	1	E06						
96001-06016-08G	1	E07						
96001-06016-08G	1	F19						